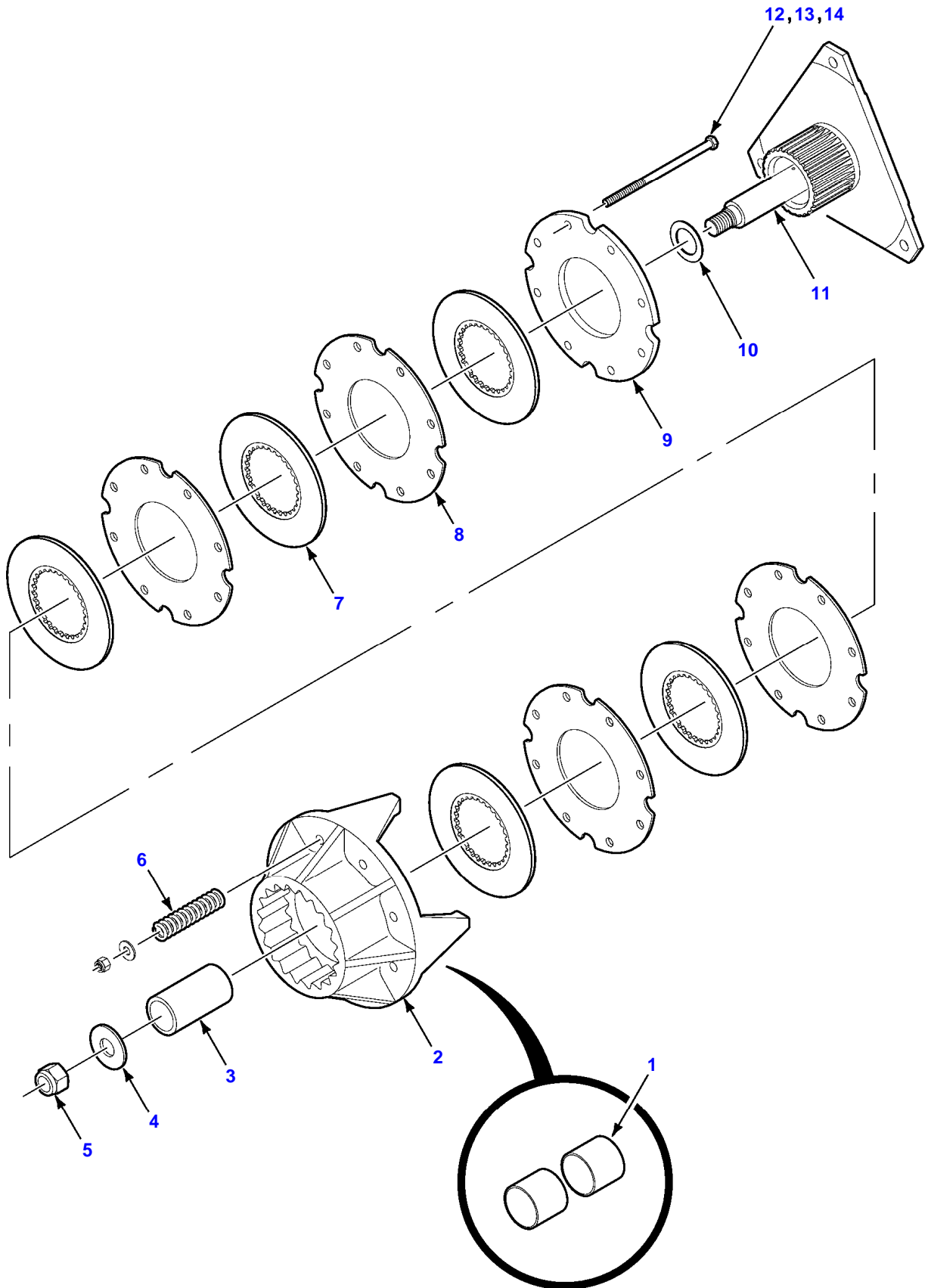


Page Number	Page Title	Page Reference
01-000-TOC	DRIVE SYSTEM	01-000-TOC
02-000-TOC	HYDRAULIC SYSTEM	02-000-TOC
03-000-TOC	ELECTRICAL SYSTEM	03-000-TOC
04-000-TOC	BALE FEEDING SYSTEM	04-000-TOC
05-000-TOC	BALE FORMING SYSTEM	05-000-TOC
06-000-TOC	BALE KNOTTING SYSTEM	06-000-TOC
07-000-TOC	BALE EJECTING SYSTEM	07-000-TOC
08-000-TOC	CHASSIS	08-000-TOC
09-000-TOC	DECALS	09-000-TOC
10-000-TOC	AXLES, SPINDLES, AND WHEELS	10-000-TOC
11-000-TOC	BRAKE SYSTEM	11-000-TOC
12-000-TOC	ACCESSORIES	12-000-TOC

Page Number	Page Title	Page Reference
01-001	MAIN DRIVE	T12I24M16A0002
01-002	CLUTCH - FLYWHEEL	T12I24M16A0003
01-003	DRIVE SHAFT	T12I24M16A0004
01-004	SECONDARY DRIVE SHAFT	T12I24M16A0005
01-005	PRIMARY DRIVE SHAFT - CE 1-3/8 INCH X 21 SPLINE S/N HS91144 - AHB05100	T12I24M16A0006
01-006	PRIMARY DRIVE SHAFT - CE 1-3/4 INCH X 20 SPLINE S/N HS91144 - AHB05100	T12I24M16A0007
01-007	PRIMARY DRIVE SHAFT - CE 1-3/8 INCH X 21 SPLINE S/N AHB05101 AND LATER	T12I24M16A0008
01-008	PRIMARY DRIVE SHAFT - CE 1-3/4 INCH X 20 SPLINE S/N AHB05101 AND LATER	T12I24M16A0009
01-009	BRAKE - FLYWHEEL	T12I24M16A0010
01-010	MOUNTING - FLYWHEEL	T12I24M16A0011
01-011	MOUNTING - GEARBOX	T12I24M16A0012
01-012	GEARBOX	T12I24M16A0013
01-013	GEARBOX ASSEMBLY S/N HS91144 - BHB05267	T12I24M16A0014
01-014	GEARBOX ASSEMBLY S/N BHB05268 AND LATER	T12I24M16A0015
01-015	AUXILIARY DRIVE - LEFT HAND S/N HS91144 - HU91100	T12I24M16A0016
01-016	AUXILIARY DRIVE - LEFT HAND S/N HU91101 AND LATER	T12I24M16A0017
01-017	AUXILIARY DRIVE - RIGHT HAND	T12I24M16A0018
01-018	SHAFT AND SPROCKET - AUXILIARY	T12I24M16A0019
01-019	SLIP CLUTCH - AUXILIARY	T12I24M16A0020
01-020	DRIVE - CUTTER	T12I24M16A0021
01-021	GEARBOX ASSEMBLY - CUTTER	T12I24M16A0022
01-022	SLIP CLUTCH - CUTTER	T12I24M16A0023

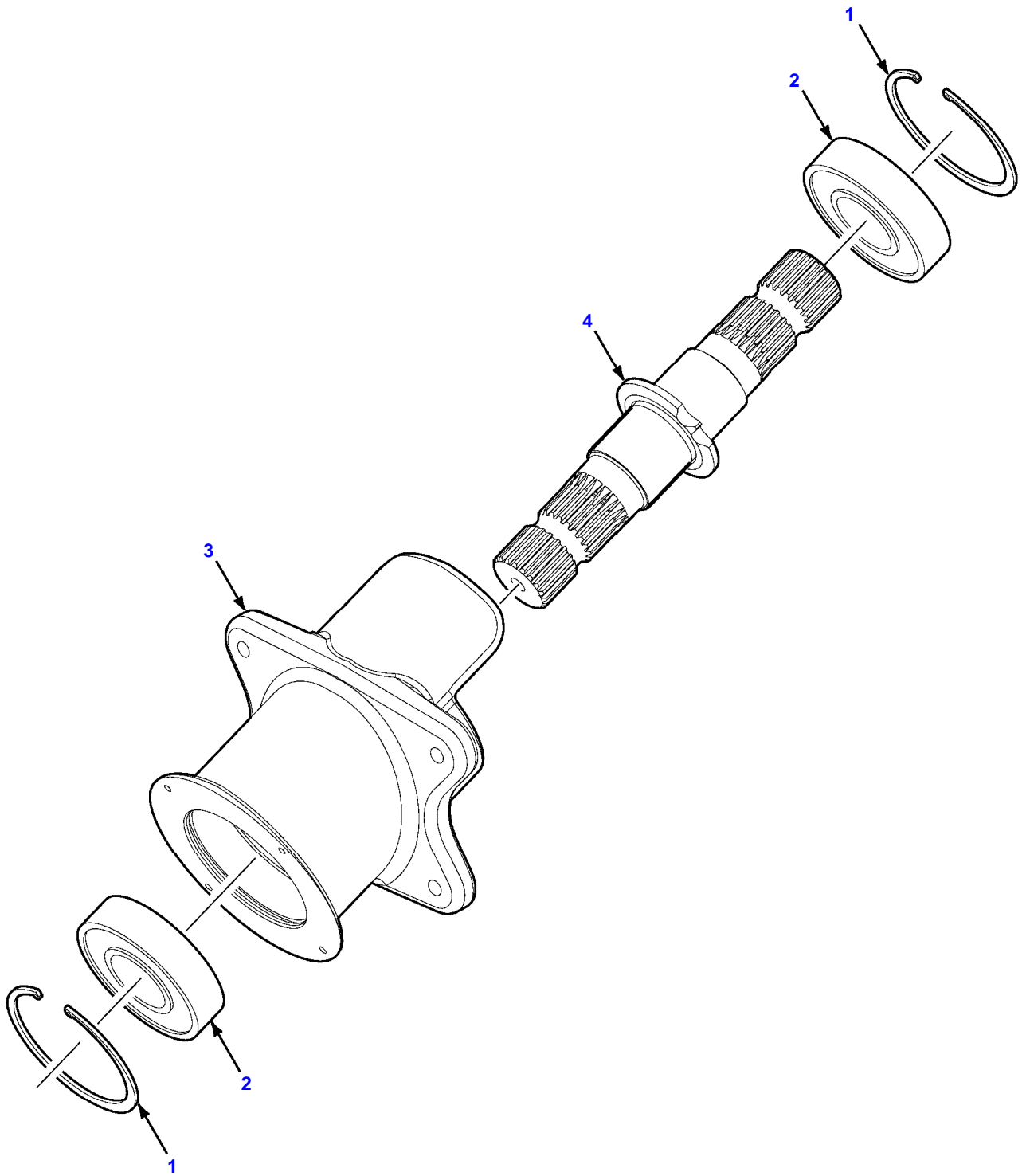
Item	Part Number	Qty	Description Comments	Technical Specification
1	8701237	7	HEXAGON FLANGE HEAD BOLT	1/2-13 X 1-1/2 GR8
2	700711557	4	FLAT WASHER	1/2
3	700729081	1	CONE GUARD	
4	700143340	1	MOUNTING FLANGE	
5	700737790	4	BOLT	RIBBED NECK #12-24X.75
6	7705692	4	FLAT WASHER	#12
7	700705521	4	SPECIAL LOCKNUT	#12-24
8	700141617	1	MOUNTING PLATE S/N HS91144 - CHB05100	
9	700708270	2	HEXAGON HEAD BOLT	5/8"-11 X 3
10	700711198	2	FLANGE LOCKNUT	5/8/-11
11	700113037	2	PAWL PIN	
12	700113036	2	CLUTCH PAWL	
13	Z63396	2	ROLL PIN	3/16" X 1-1/2
14	77115	1	GREASE FITTING	
15	6522932	2	CLUTCH SHIM	
16	705541	3	FLAT WASHER	1/2

12130 LARGE RECTANGULAR BALER
141152-0



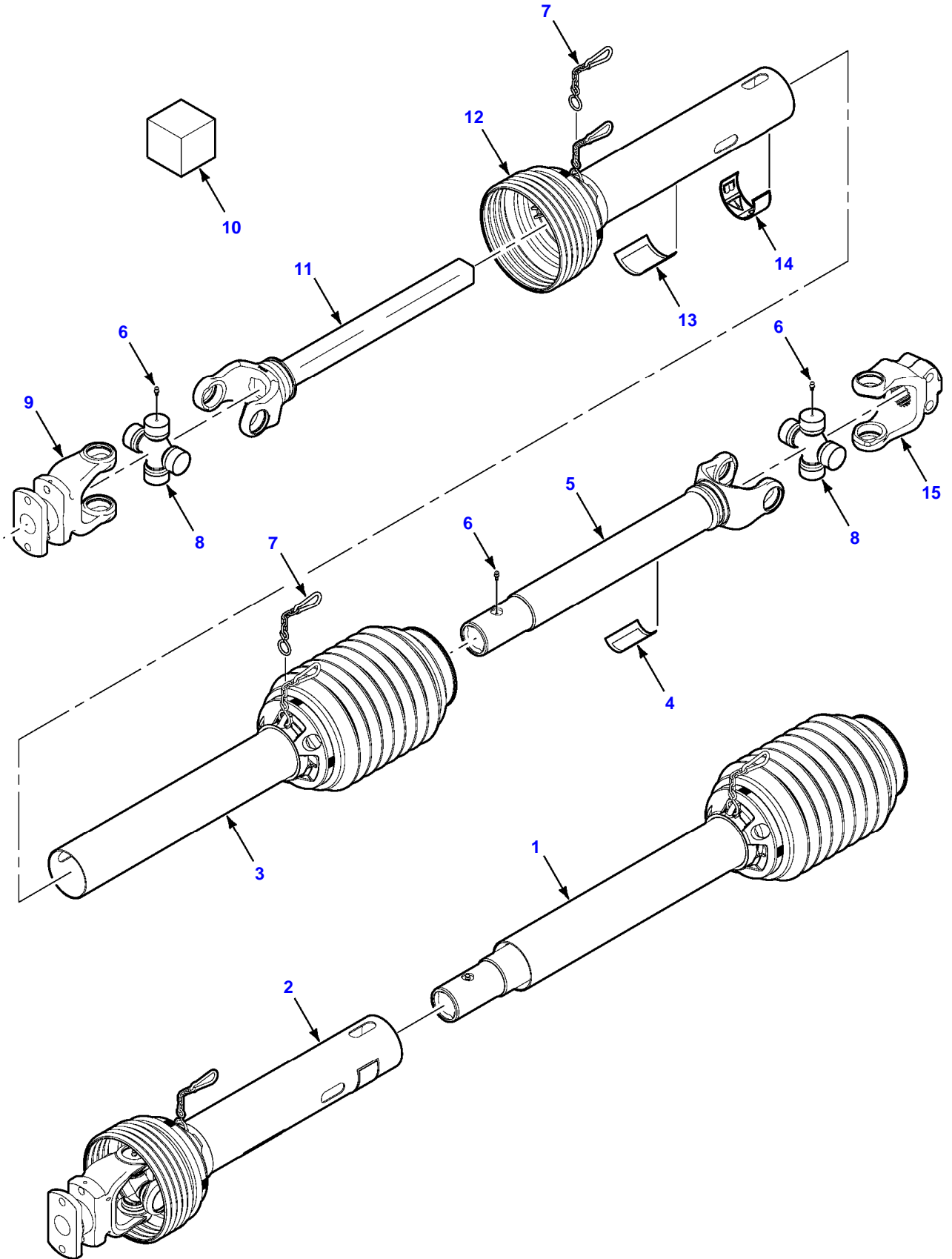
Item	Part Number	Qty	Description Comments	Technical Specification
1	7852114	2	BRONZE BUSHING	
2	700164637	1	CLUTCH HOUSING	
	7852114	2	BRONZE BUSHING	
3	6350805	1	TUBE	3-3/4 X 2" OD
4	76521	1	FLAT WASHER	NON-PLATED, 7/8
5	700707250	1	STOP NUT	7/8-14
6	858019	8	COMPRESSION SPRING	
7	700108820	5	FRICITION DISC	
8	700112903	4	CLUTCH PLATE	
9	6522866	1	CLUTCH PLATE	
10	Z52274	1	WASHER	
11	700141153	1	CLUTCH PILOT	
12	700732562	8	HEX BOLT	3/8-16 X 7-1/2
13	700709603	8	FLAT WASHER	3/8 INCH
14	704734	8	FLANGE LOCKNUT	3/8-16

12130 LARGE RECTANGULAR BALER
176092-0



Item	Part Number	Qty	Description Comments	Technical Specification
1	8052326	2	RETAINING RING	
2	700721594	2	CYLINDRICAL BEARING	1.7715" ID
3	700734696	1	SUPPORT	
4	700174791	1	DRIVE SHAFT	

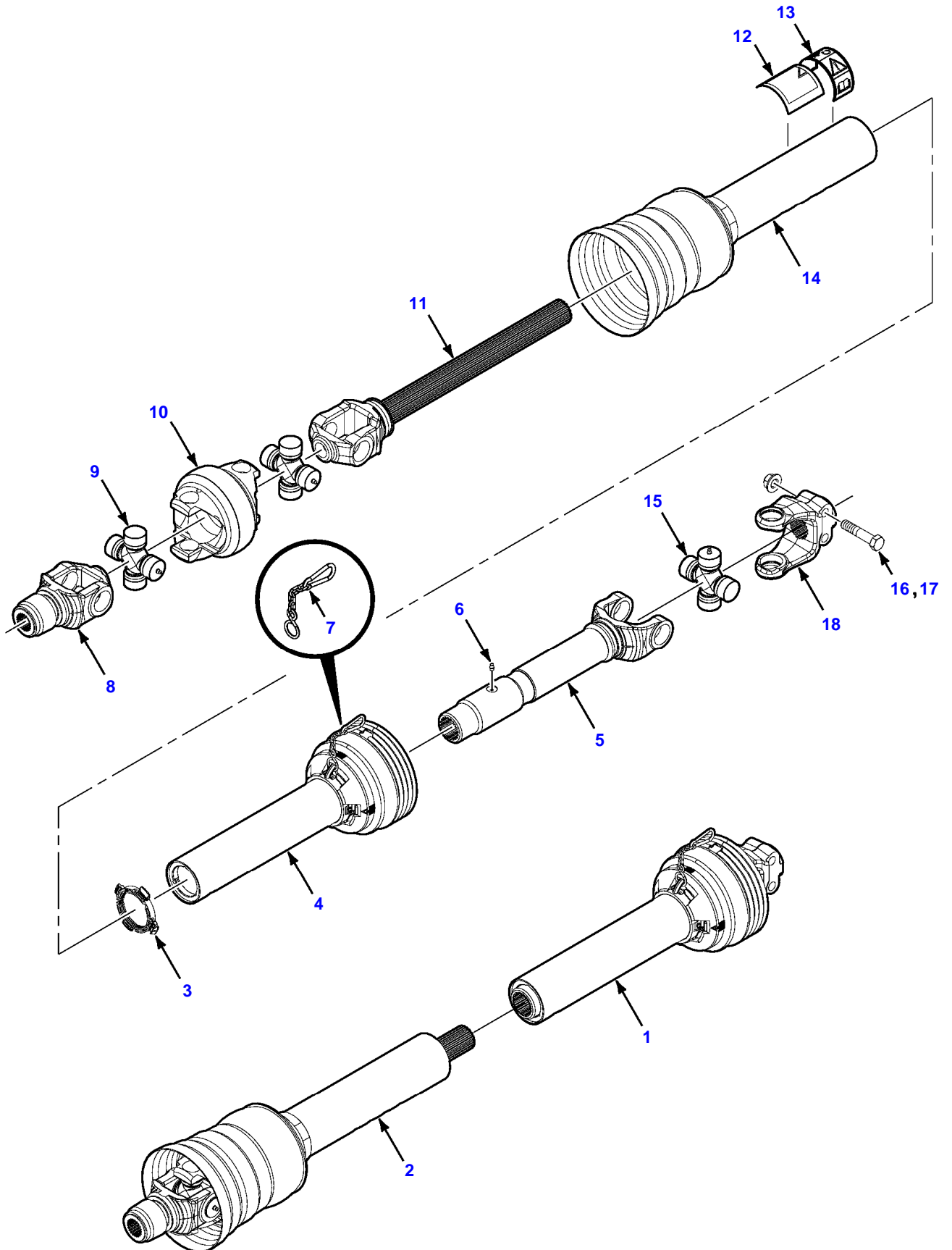
12130 LARGE RECTANGULAR BALER
724035-0



Item	Part Number	Qty	Description Comments	Technical Specification
1	700724125	1	DRIVELINE	
2	700724123	1	DRIVELINE	
3	700724141	1	INNER GUARD	
4	700708583	1	DANGER DECAL, SHIELD MISSING	DANGER
5	700724142	1	YOKE TUBE [A]	
6	77016	3	GREASE FITTING	1/4-28 IN
7	700720152	2	CHAIN KIT	
8	700724136	2	CROSS AND BEARING KIT	
	Z77016	1	GREASE FITTING	1/4-28
9	700706955	1	YOKE	
	7711799	1	CYLINDRICAL BEARING	
	700706956	1	BEARING	
	7052798	1	RETAINING RING	
	77107	1	GREASE FITTING	
10	700723268	1	NYLON BUSHING	
11	700724137	1	YOKE SHAFT	
12	700724140	1	OUTER GUARD [A]	
13	700707960	1	DECAL	
14	700728658	1	WARNING DECAL, CE	
15	700721794	1	YOKE	

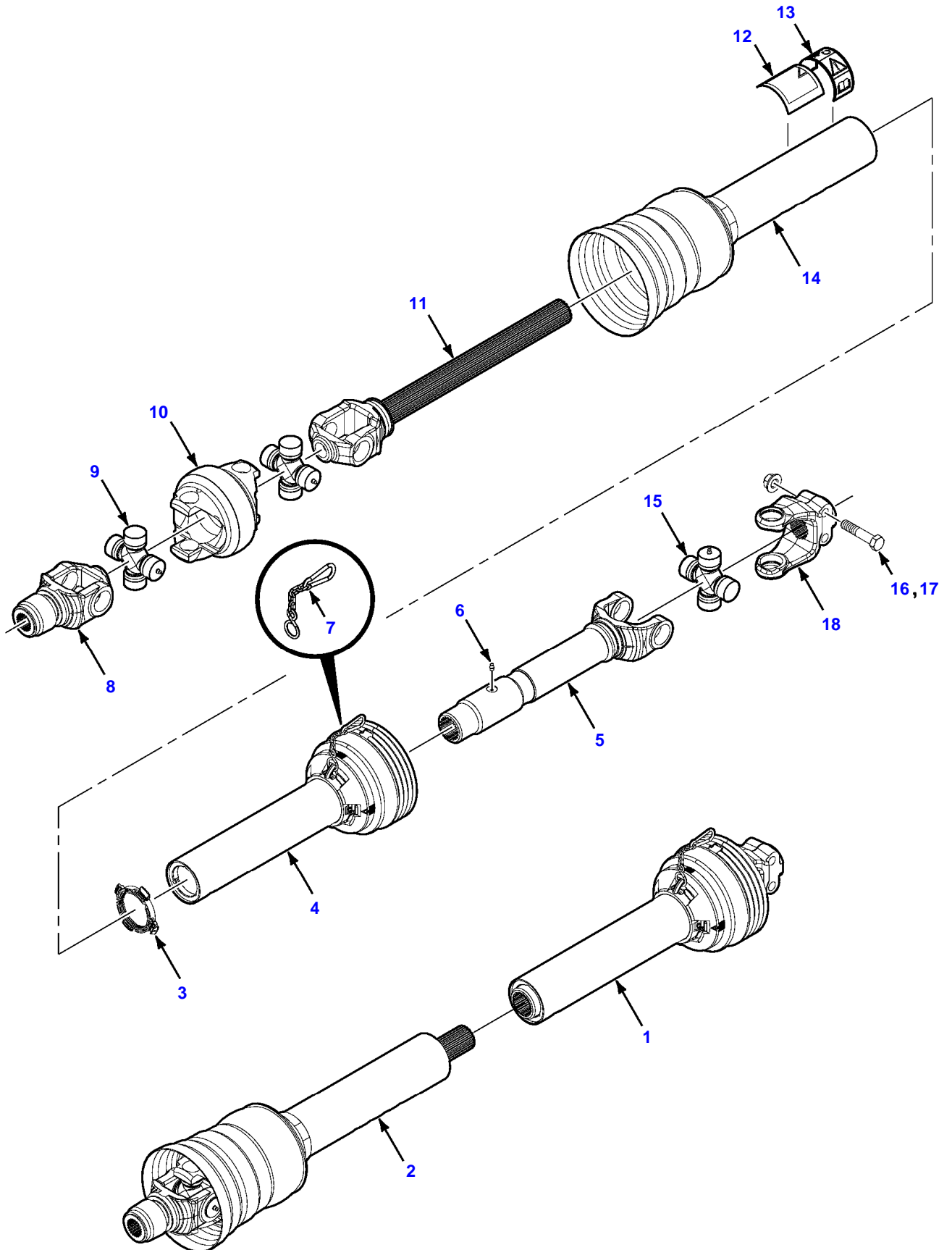
[A] THE APPROPRIATE SAFETY DECALS MUST BE ORDERED AND FITTED TO THIS PART

12130 LARGE RECTANGULAR BALER
727272-0



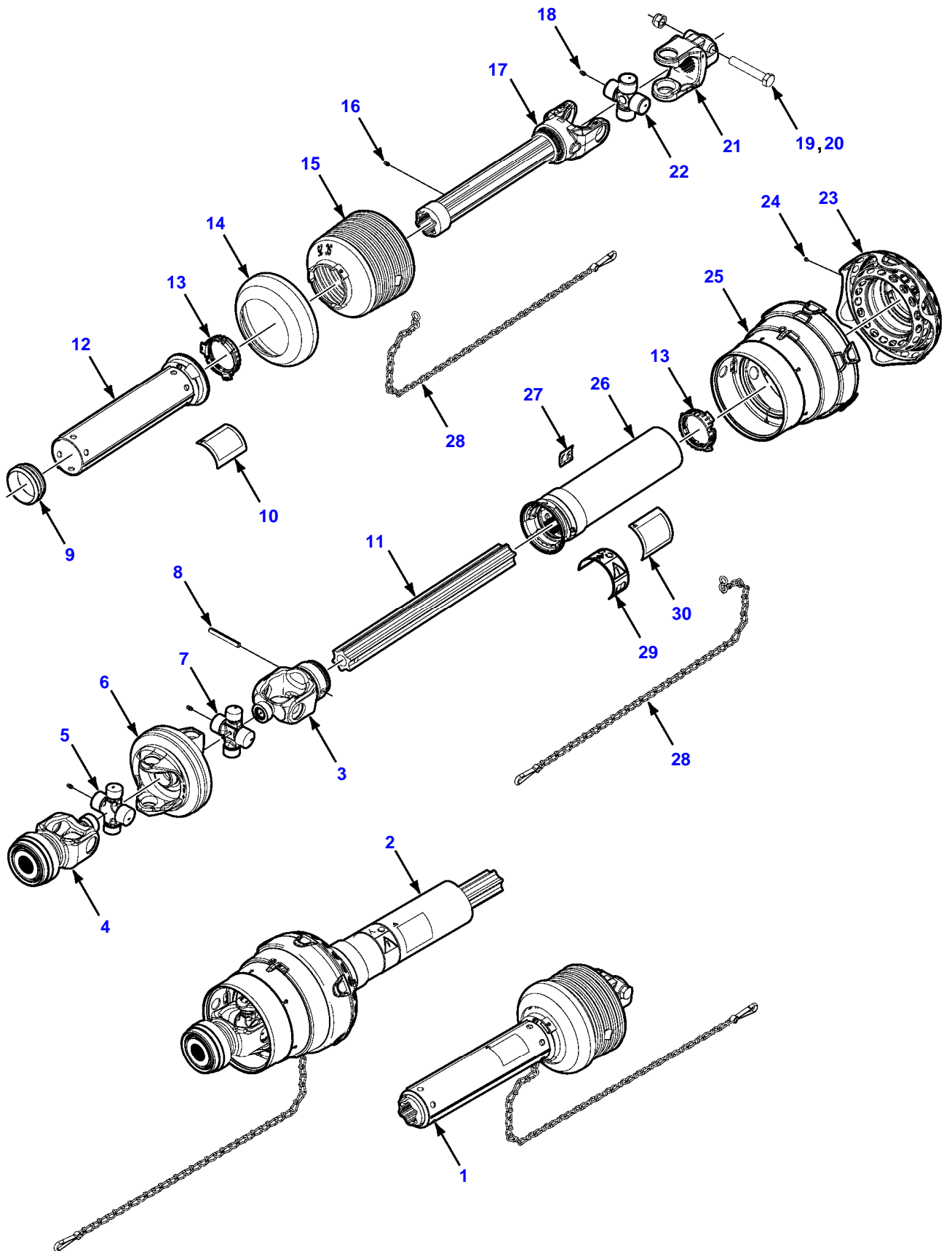
Item	Part Number	Qty	Description Comments	Technical Specification
			1-3/8 INCH X 21 SPLINE S/N HS91144 - AHB05100	
1	700728942	1	DRIVELINE	
2	700728940	1	DRIVELINE	
3	700723268	2	NYLON BUSHING	
4	700728950	1	INNER GUARD	
5	700728951	1	YOKE	
			[A]	
6	77016	1	GREASE FITTING	1/4-28 IN
7	700729055	2	CHAIN KIT	
8	700728943	1	YOKE	
	700720122	1	AUTO LOCK REPAIR KIT	
9	700728945	2	CROSS AND BEARING KIT	
	77016	1	GREASE FITTING	1/4-28 IN
10	700728946	1	HOUSING	
11	700728947	1	YOKE SHAFT	
12	700707960	1	DECAL	
13	700728658	1	WARNING DECAL, CE	
14	700728948	1	OUTER GUARD	
			[A]	
15	700724136	1	CROSS AND BEARING KIT	
	Z77016	1	GREASE FITTING	1/4-28
16	700708270	2	HEXAGON HEAD BOLT	5/8"-11 X 3
17	700711198	2	FLANGE LOCKNUT	5/8"-11
18	700721794	1	YOKE	
			[A] THE APPROPRIATE SAFETY DECALS MUST BE ORDERED AND FITTED TO THIS PART	

12130 LARGE RECTANGULAR BALER
727273-0



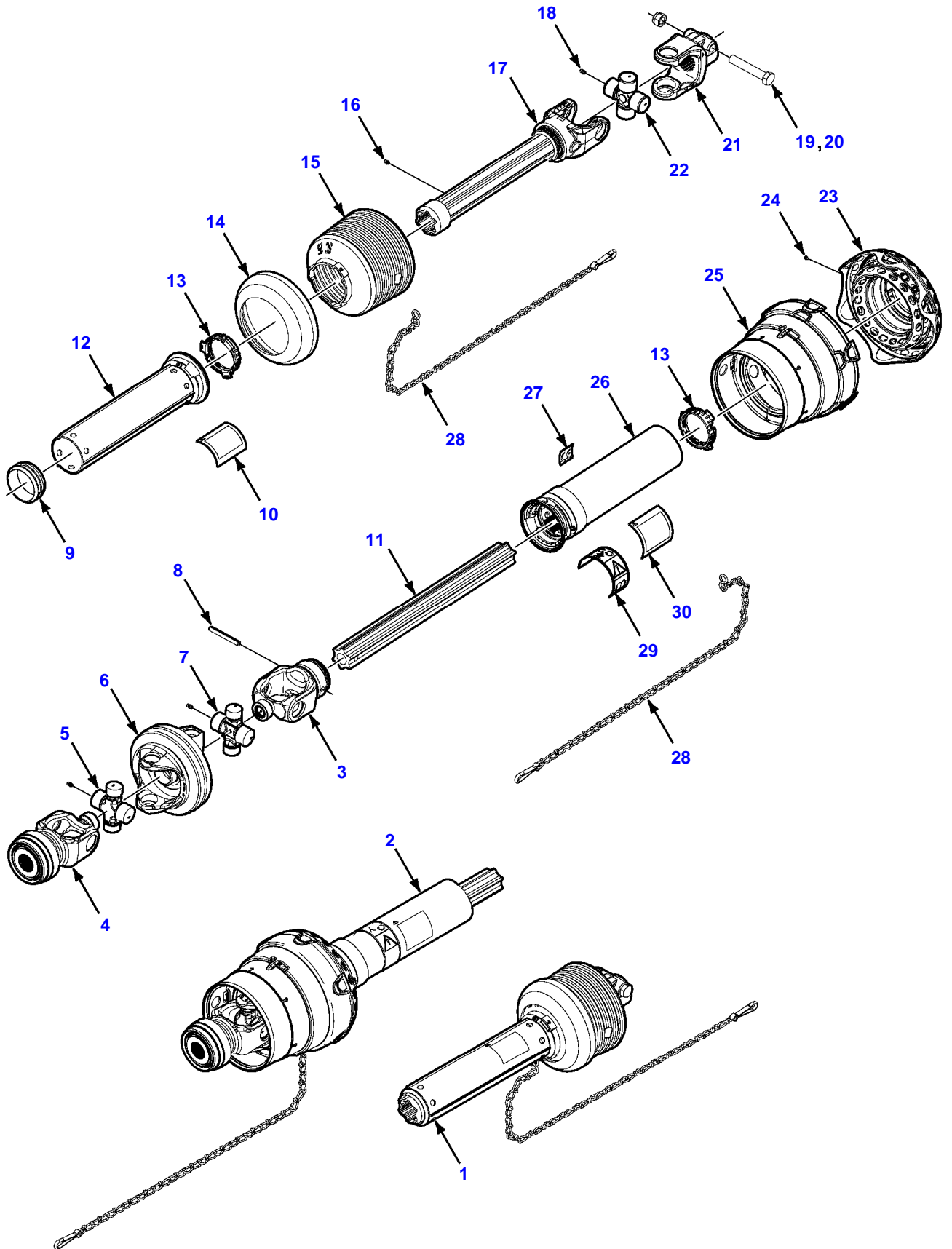
Item	Part Number	Qty	Description Comments	Technical Specification
			1-3/4 INCH X 20 SPLINE S/N HS91144 - AHB05100	
1	700728942	1	DRIVELINE	
2	700728941	1	DRIVELINE	
3	700723268	2	NYLON BUSHING	
4	700728950	1	INNER GUARD	
5	700728951	1	YOKE	
			[A]	
6	77016	1	GREASE FITTING	1/4-28 IN
7	700729055	2	CHAIN KIT	
8	700728944	1	YOKE	TYPE 3
	700711425	1	REPAIR KIT	20 SPLINE 1000RPM
9	700728945	2	CROSS AND BEARING KIT	
	77016	1	GREASE FITTING	1/4-28 IN
10	700728946	1	HOUSING	
11	700728947	1	YOKE SHAFT	
12	700707960	1	DECAL	
13	700728658	1	WARNING DECAL, CE	
14	700728948	1	OUTER GUARD	
			[A]	
15	700724136	1	CROSS AND BEARING KIT	
	Z77016	1	GREASE FITTING	1/4-28
16	700708270	2	HEXAGON HEAD BOLT	5/8"-11 X 3
17	700711198	2	FLANGE LOCKNUT	5/8"-11
18	700721794	1	YOKE	
			[A] THE APPROPRIATE SAFETY DECALS MUST BE ORDERED AND FITTED TO THIS PART	

12130 LARGE RECTANGULAR BALER
734457-0



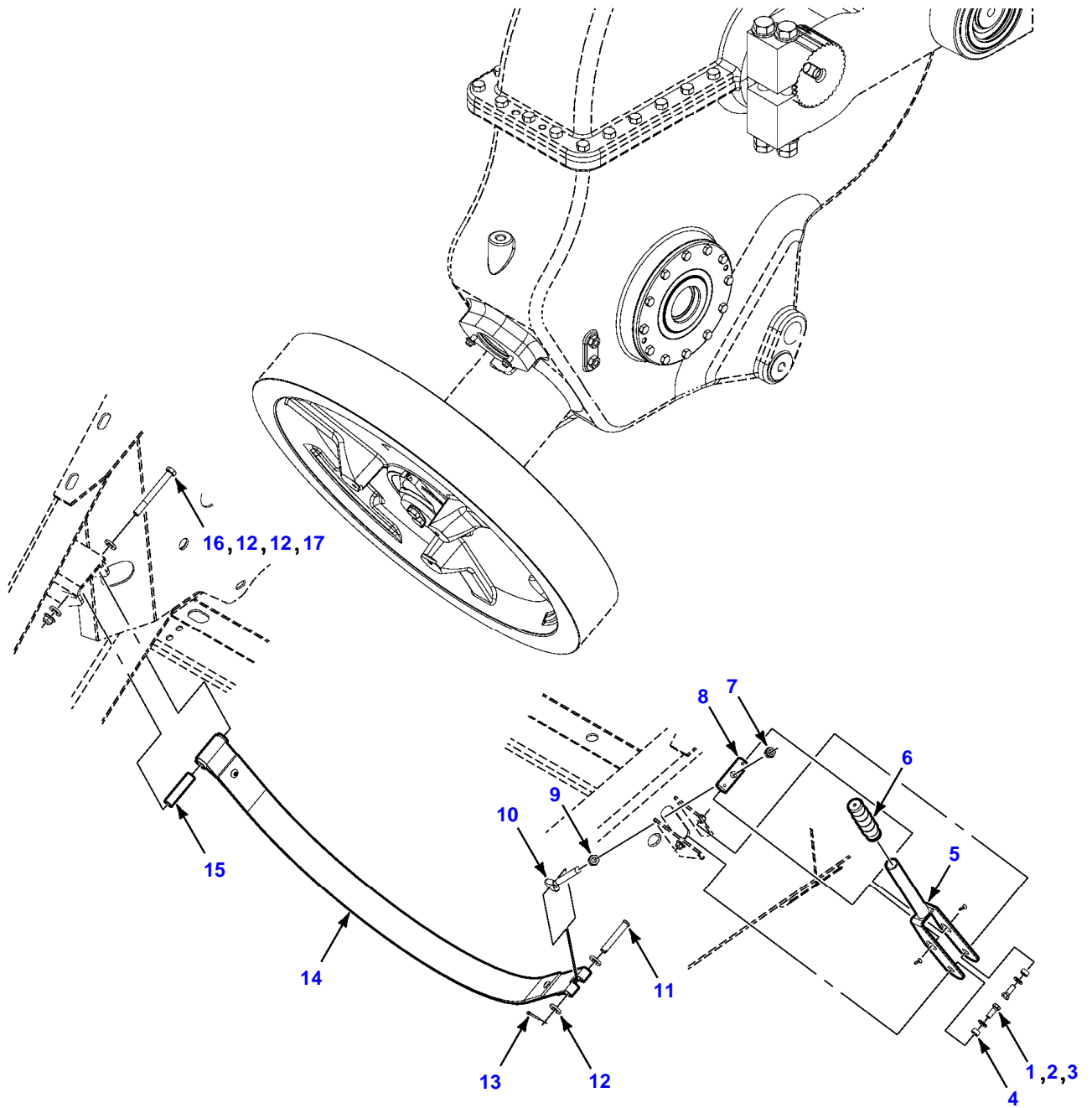
Item	Part Number	Qty	Description Comments	Technical Specification
			1-3/8 INCH X 21 SPLINE S/N AHB05101 AND LATER	
1	700737113	1	UNIVERSAL JOINT	
2	700735106	1	DRIVELINE	
3	700735112	1	YOKE	
4	700735109	1	YOKE	1-3/8 21 SPLINE
	700735126	1	REPAIR KIT	LOCK
5	700735113	1	CROSS AND BEARING KIT	CROSS AND BEARING
6	700735110	1	DOUBLE YOKE	
7	700735111	1	CROSS AND BEARING KIT	CROSS AND BEARING
8	763847	1	SPRING PIN	10 X 75 MM
9	700735123	1	BEARING BRACKET	
10	700708583	1	DANGER DECAL, SHIELD MISSING	DANGER
11	700735114	1	INNER PROFILE SHAFT	
12	700737117	1	TUBE [A]	
13	8800633	2	BEARING RING	SC25
14	700735124	1	REINFORCING COLLAR	
15	700735122	1	CONE GUARD	
16	700713262	1	GREASE FITTING	1/4-28
17	700737115	1	YOKE	IB (S5G)
18	700735125	3	GREASE FITTING	M6 X 1 IN
19	339182X1	1	HEX CAP SCREW	M16-2.0 X 90-ISO 8.8-ZN
20	1442739X1	1	LOCKNUT	M16-ISO 8-ZN
21	700737116	1	YOKE	
22	700735116	1	CROSS AND BEARING KIT	CROSS AND BEARING
23	700735121	1	GUARD CONE AND FLEX NET	
24	700714614	10	HEXAGON FLANGE HEAD BOLT	
25	700735120	1	CV GUARD/BEARING	
26	700735117	1	GUARD TUBE AND CAP [A]	
27	700735129	1	DECAL, CE MARK	
28	71382485	2	SAFETY CHAIN	
29	700728658	1	WARNING DECAL, CE	
30	700707960	1	DECAL	
			[A] THE APPROPRIATE SAFETY DECALS MUST BE ORDERED AND FITTED TO THIS PART	

12130 LARGE RECTANGULAR BALER
734458-0



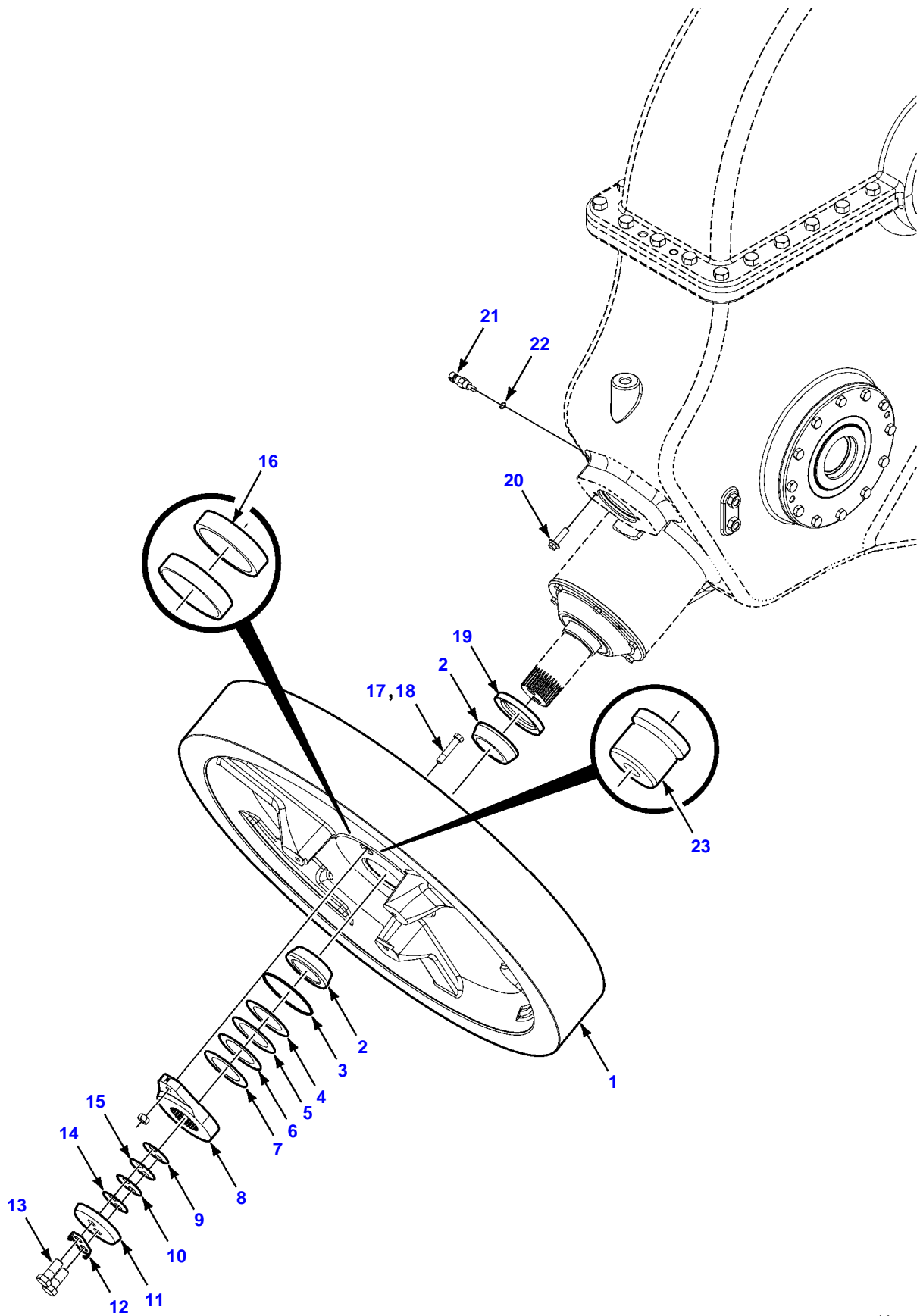
Item	Part Number	Qty	Description Comments	Technical Specification
			1-3/4 INCH X 20 SPLINE S/N AHB05101 AND LATER	
1	700737113	1	UNIVERSAL JOINT	
2	700735108	1	DRIVELINE	
3	700735112	1	YOKE	
4	700735127	1	YOKE	1-3/4 20 SPLINE
	700735128	1	REPAIR KIT	LOCK
5	700735113	1	CROSS AND BEARING KIT	CROSS AND BEARING
6	700735110	1	DOUBLE YOKE	
7	700735111	1	CROSS AND BEARING KIT	CROSS AND BEARING
8	763847	1	SPRING PIN	10 X 75 MM
9	700735123	1	BEARING BRACKET	
10	700708583	1	DANGER DECAL, SHIELD MISSING	DANGER
11	700735114	1	INNER PROFILE SHAFT	
12	700737117	1	TUBE [A]	
13	8800633	2	BEARING RING	SC25
14	700735124	1	REINFORCING COLLAR	
15	700735122	1	CONE GUARD	
16	700713262	1	GREASE FITTING	1/4-28
17	700737115	1	YOKE	IB (S5G)
18	700735125	3	GREASE FITTING	M6 X 1 IN
19	339182X1	1	HEX CAP SCREW	M16-2.0 X 90-ISO 8.8-ZN
20	1442739X1	1	LOCKNUT	M16-ISO 8-ZN
21	700737116	1	YOKE	
22	700735116	1	CROSS AND BEARING KIT	CROSS AND BEARING
23	700735121	1	GUARD CONE AND FLEX NET	
24	700714614	10	HEXAGON FLANGE HEAD BOLT	
25	700735120	1	CV GUARD/BEARING	
26	700735117	1	GUARD TUBE AND CAP [A]	
27	700735129	1	DECAL, CE MARK	
28	71382485	2	SAFETY CHAIN	
29	700728658	1	WARNING DECAL, CE	
30	700707960	1	DECAL	
			[A] THE APPROPRIATE SAFETY DECALS MUST BE ORDERED AND FITTED TO THIS PART	

12130 LARGE RECTANGULAR BALER
141000-1



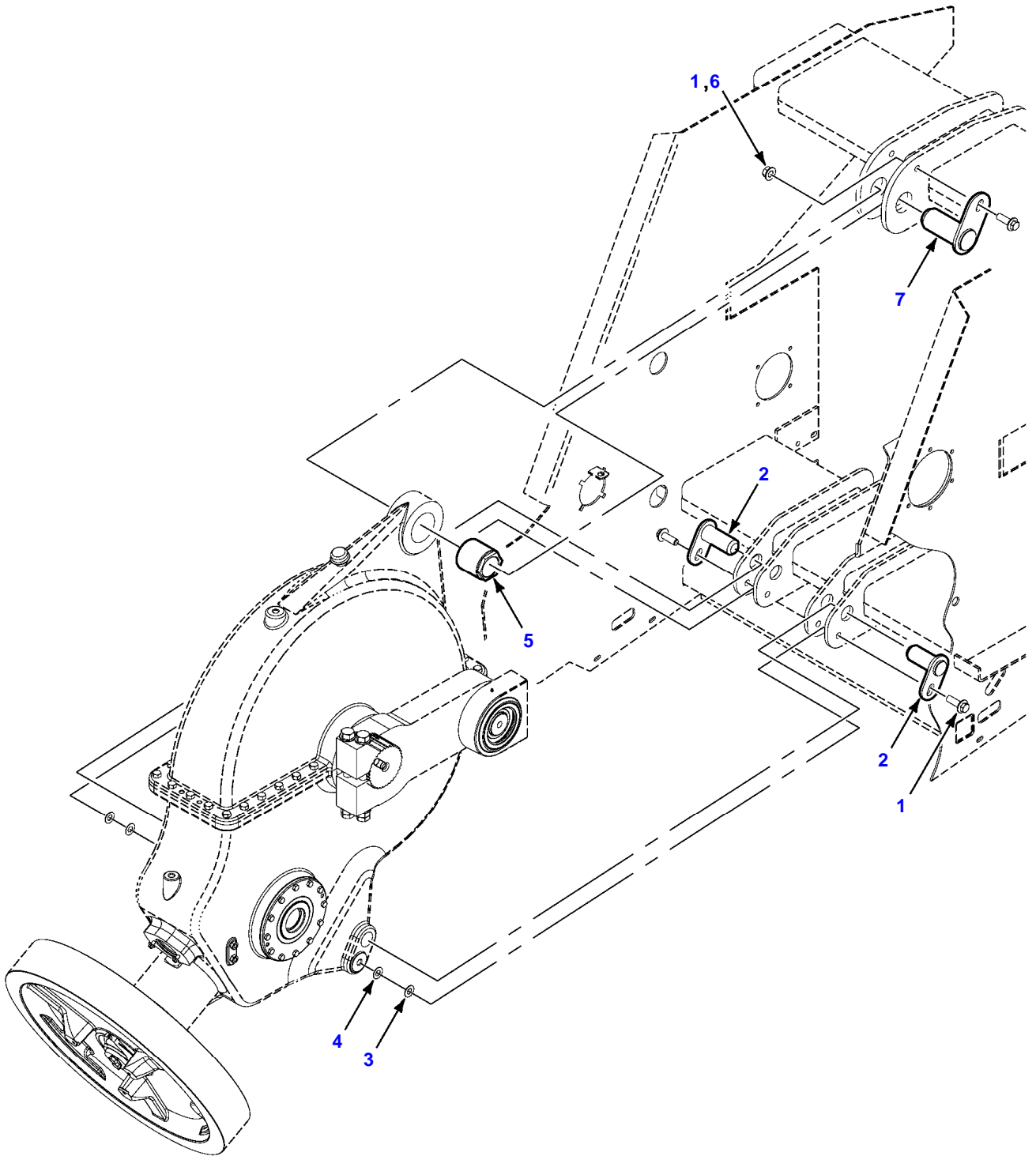
Item	Part Number	Qty	Description Comments	Technical Specification
1	703249	2	HEXAGON HEAD BOLT	3/8-16 X 1.00 GRADE 5
2	705533	2	FLAT WASHER	3/8 INCH
3	704734	2	FLANGE LOCKNUT	3/8-16
4	6489231	2	SPACER	10.34MM ID X 15.88MM OD X 8MM
5	700113054	1	HANDLE	
6	27342	1	HANDLE	
7	62257	2	PIN	
8	700113057	1	BRAKE PIN	
9	7704752	2	HEX NUT	1/2-13
10	766667	1	EYEBOLT	1/2-13 X 10"
11	63883	1	CLEVIS PIN	1/2 X 3
12	705541	4	FLAT WASHER	1/2
13	62174	1	SPLIT PIN	5/32 X 1
14	700113058	1	BRAKE	
15	6524003	1	SPACER	
16	703223	1	HEXAGON HEAD BOLT	1/2"-13 X 4-1/2
17	704742	1	FLANGE LOCKNUT	1/2-13

12130 LARGE RECTANGULAR BALER
141071-1



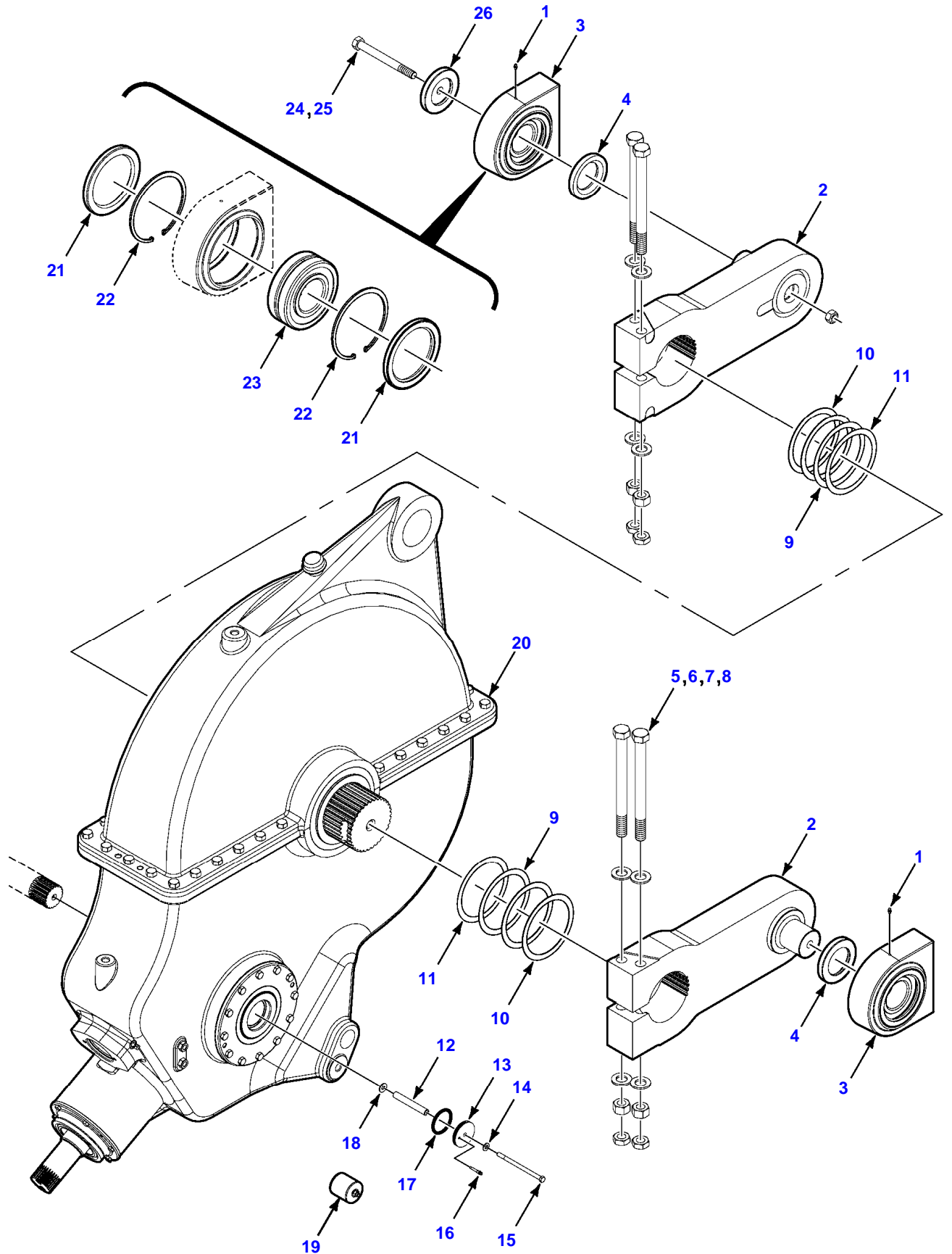
Item	Part Number	Qty	Description Comments	Technical Specification
1	700175312	1	FLYWHEEL	
	7852718	1	SHEAR BUSHING	
	700706038	2	BEARING CUP	
2	700706039	2	TAPERED BEARING	
3	700706050	1	O-RING	4-1/4" ID
4	700706056	-	SHIM	2-1/2 X 3-3/4 X 0.003
5	700706057	-	SHIM	2-1/2 X 3-3/4 X 0.005
6	700706058	-	SHIM	2-1/2 X 3-3/4 X 0.010
7	700707991	-	SHIM	0.020
8	700143193	1	SHEAR HUB	
	700728938	1	PLUNGER SPRING	
9	700707993	-	SHIM	0.020
10	700706060	-	SHIM	21/32 X 2-3/16 X 0.005
11	700113044	1	RETAINER CAP	
12	700113045	1	LOCKING PLATE	
13	700708355	2	HEXAGON HEAD BOLT	M16 X 40 (2.0)
14	700706059	-	SHIM	21/32 X 2-3/16 X 0.003
15	700706061	-	SHIM	21/32 X 2-3/16 X 0.010
16	700706038	2	BEARING CUP	
17	6521868	1	SHEAR BOLT KIT	7/16-14 X 2-1/8
18	7774995	1	HEX NUT	7/16-14 GR8
19	700706045	1	LIP SEAL	
20	3009208X1	2	HEXAGON FLANGE HEAD BOLT	M10X35-ISO 10.9-ZN
21	71393718	1	OIL TEMPERATURE SENSOR	
22	7040330	1	O-RING	0.414 ID
23	7852718	1	SHEAR BUSHING	

12130 LARGE RECTANGULAR BALER
141070-0



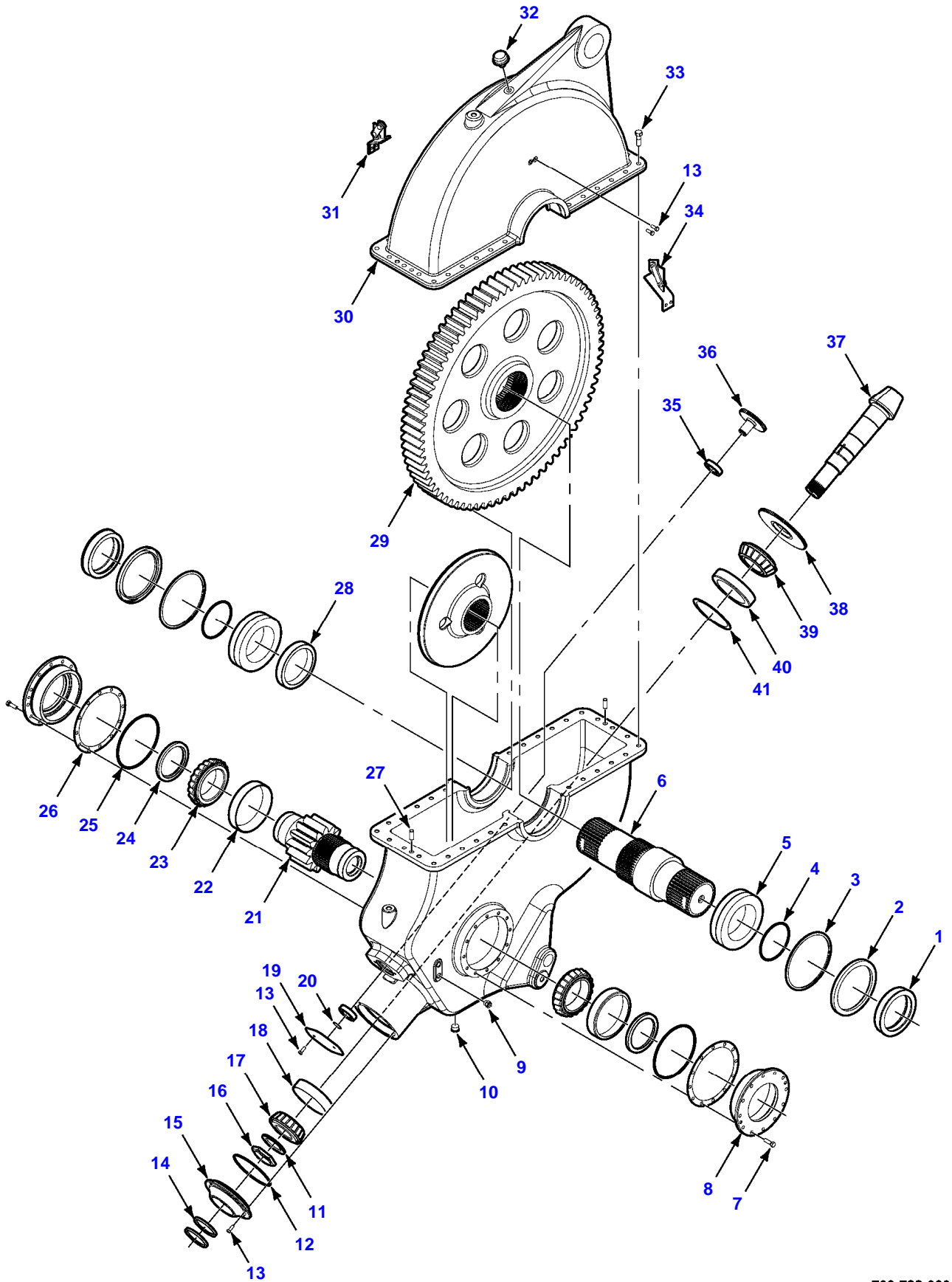
Item	Part Number	Qty	Description Comments	Technical Specification
1	3009256X1	3	CARRIAGE BOLT	M20X60-ISO 10.9-ZN
2	700146149	2	GEARBOX PIN	
3	852608	-	WIDE RIM BUSHING	7/8 X 14, GA
4	700730827	-	WIDE RIM BUSHING	7/8 X 1-3/4 X 18 GA
5	700141086	1	ECCENTRIC GEARBOX	
6	3019128X1	1	NUT	M20-ISO 10-ZN
7	700146152	1	GEARBOX PIN	

12130 LARGE RECTANGULAR BALER
141071-2



Item	Part Number	Qty	Description Comments	Technical Specification
1	77016	2	GREASE FITTING	1/4-28 IN
2	700141075	2	CRANK ARM	
3	700141145	2	BEARING	
	700728925	2	OIL SEAL	
	8052144	2	RETAINING RING	
	700724470	1	ROLLER BEARING	
4	700143153	2	SPACER	
5	700707996	4	BOLT	1-8 X 12 GR8
6	705574	4	FLAT WASHER	1"
7	874214	4	HEX NUT	NON PLATED, 1-8
8	704684	4	JAM NUT	1-8
9	700708039	2	SHIM	0.64/0.025
10	700708041	4	SHIM	1.2/0.048
11	700708038	2	SHIM	0.25/0.010
12	700152030	1	SPACER TUBE	
13	700141151	1	EXPANDABLE PLUG	
14	705533	1	FLAT WASHER	3/8 INCH
15	702811	1	HEXAGON HEAD BOLT	3/8 - 16 X 6
16	77255	1	PIN	
17	70923852	1	O-RING	1/8 X 2-3/8 ID
18	700702916	1	FLAT WASHER	3/8
19	700734530	1	EXPANDABLE PLUG	
20	700733000	1	GEARBOX	4 X 4
			S/N HS91144 - BHB05267	
	700737471	1	GEARBOX	
			S/N BHB05268 AND LATER	
21	700728925	2	OIL SEAL	
22	8052144	2	RETAINING RING	
23	700724470	1	ROLLER BEARING	
24	7883051	1	HEX BOLT	3/4"-10 X 7-1/2
25	700710072	1	LOCKNUT	3/4-10
26	700143192	1	SPACER	

12130 LARGE RECTANGULAR BALER
733000-0



Thank you so much for reading.
Please click the “Buy Now!”
button below to download the
complete manual.



After you pay.

You can download the most
perfect and complete manual in
the world immediately.

Our support email:

ebooklibonline@outlook.com