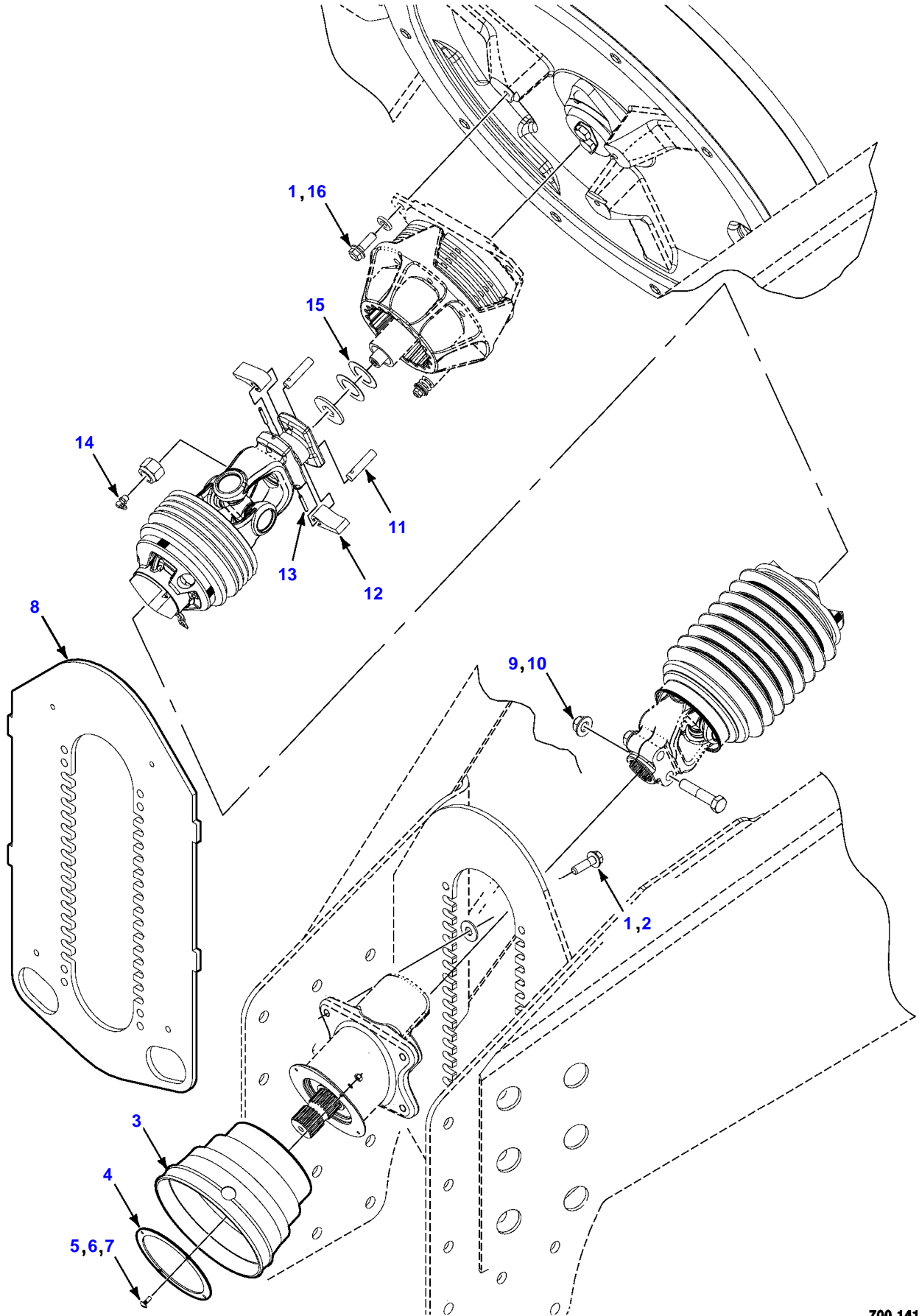


Page Number	Page Title	Page Reference
01-000-TOC	DRIVE SYSTEM	01-000-TOC
02-000-TOC	HYDRAULIC SYSTEM	02-000-TOC
03-000-TOC	ELECTRICAL SYSTEM	03-000-TOC
04-000-TOC	BALE FEEDING SYSTEM	04-000-TOC
05-000-TOC	BALE FORMING SYSTEM	05-000-TOC
06-000-TOC	BALE KNOTTING SYSTEM	06-000-TOC
07-000-TOC	BALE EJECTING SYSTEM	07-000-TOC
08-000-TOC	CHASSIS	08-000-TOC
09-000-TOC	DECALS	09-000-TOC
10-000-TOC	AXLES, SPINDLES, AND WHEELS	10-000-TOC
11-000-TOC	BRAKE SYSTEM	11-000-TOC
12-000-TOC	ACCESSORIES	12-000-TOC

DRIVE SYSTEM

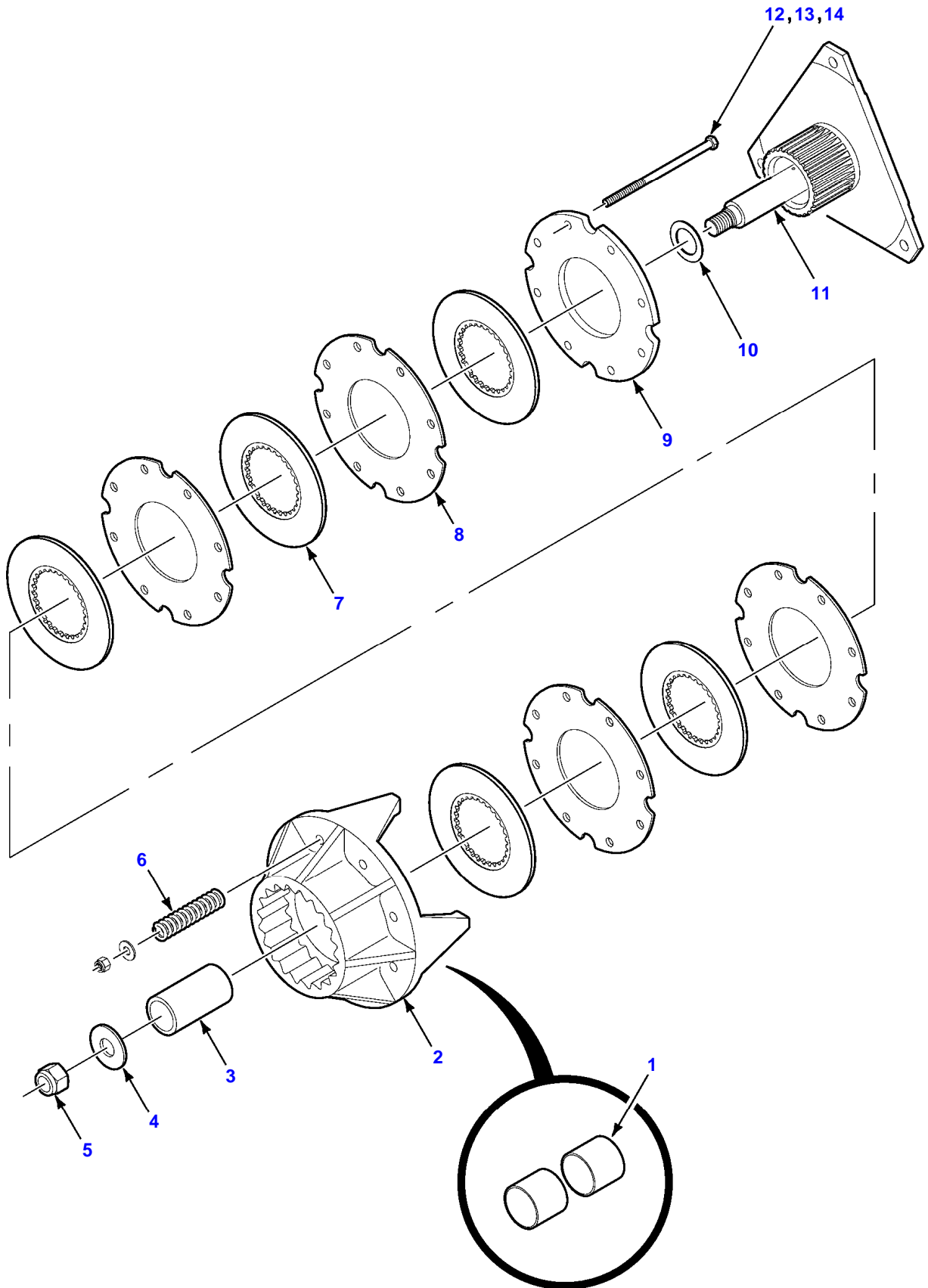
Page Number	Page Title	Page Reference
01-001	MAIN DRIVE	T12H20H19A0002
01-002	CLUTCH - FLYWHEEL	T12H20H19A0003
01-003	DRIVE SHAFT	T12H20H19A0004
01-004	SECONDARY DRIVE SHAFT	T12H20H19A0005
01-005	PRIMARY DRIVE SHAFT - CE 1-3/8 INCH X 21 SPLINE S/N HT85101 - AHB02100	T12H20H19A0006
01-006	PRIMARY DRIVE SHAFT - CE 1-3/4 INCH X 20 SPLINE S/N HT85101 - AHB02100	T12H20H19A0007
01-007	PRIMARY DRIVE SHAFT - CE 1-3/8 INCH X 21 SPLINE S/N AHB02101 AND LATER	T12H20H19A0008
01-008	PRIMARY DRIVE SHAFT - CE 1-3/4 INCH X 20 SPLINE S/N AHB02101 AND LATER	T12H20H19A0009
01-009	BRAKE - FLYWHEEL	T12H20H19A0010
01-010	MOUNTING - FLYWHEEL	T12H20H19A0011
01-011	GEARBOX ASSEMBLY S/N HT85101 - CHB02100	T12H20H19A0012
01-012	GEARBOX ASSEMBLY S/N CHB02101 AND LATER	T12H20H19A0013
01-013	AUXILIARY DRIVE - LEFT HAND S/N HT85101 - AHB02128	T12H20H19A0014
01-014	AUXILIARY DRIVE - LEFT HAND S/N AHB02129 AND LATER	T12H20H19A0015
01-015	AUXILIARY DRIVE - RIGHT HAND	T12H20H19A0016
01-016	SHAFT AND SPROCKET - AUXILIARY	T12H20H19A0017
01-017	SLIP CLUTCH - AUXILIARY	T12H20H19A0018
01-018	DRIVE - CUTTER	T12H20H19A0019
01-019	GEARBOX ASSEMBLY - CUTTER	T12H20H19A0020
01-020	SLIP CLUTCH - CUTTER	T12H20H19A0021

1270N / 1270S LARGE RECTANGULAR BALER
MAIN DRIVE



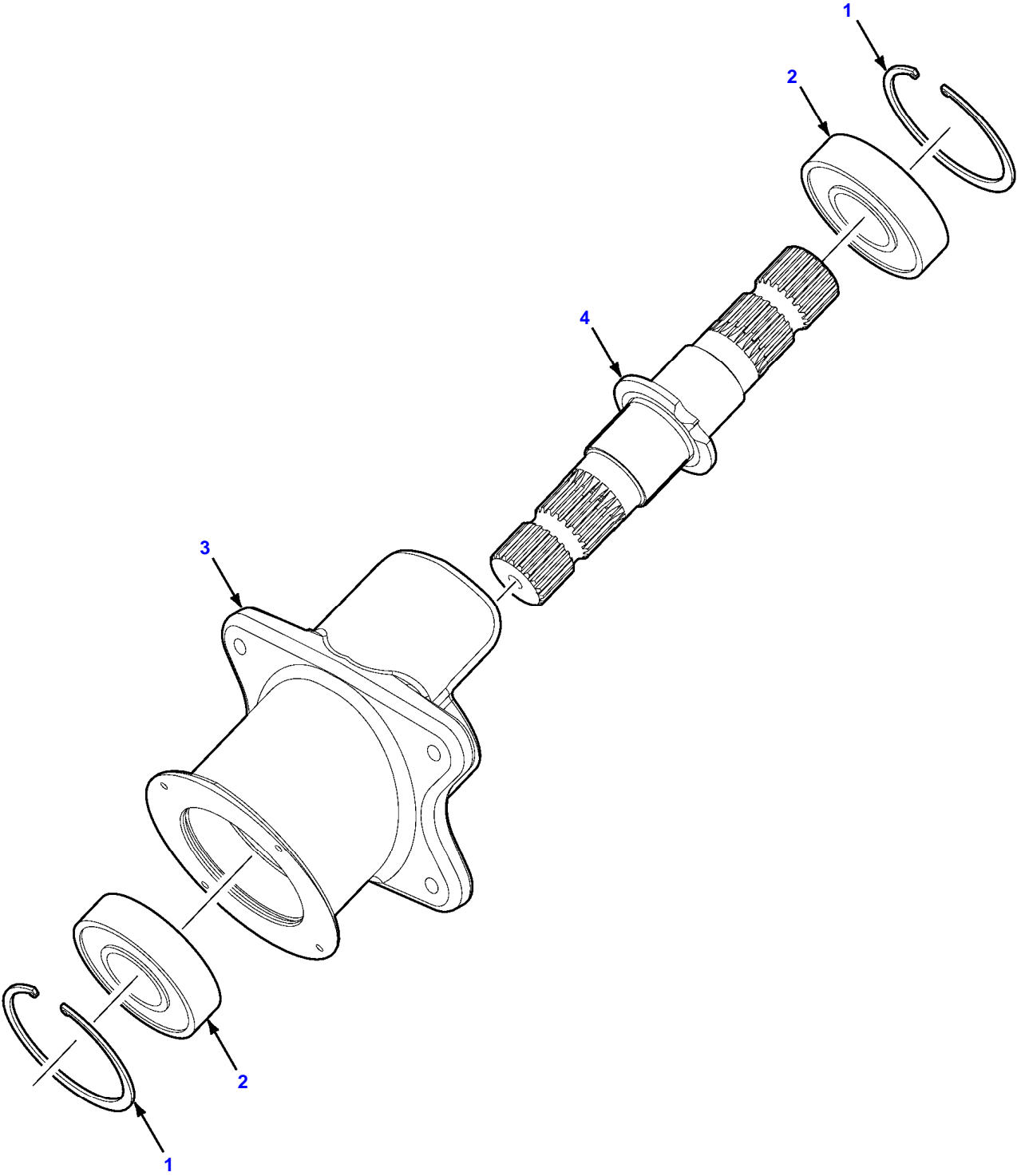
Item	Part Number	Qty	Description Comments	Technical Specification
1	8701237	7	HEXAGON FLANGE HEAD BOLT	1/2-13 X 1-1/2 GR8
2	700711557	4	FLAT WASHER	1/2
3	700729081	1	CONE GUARD	
4	700143340	1	MOUNTING FLANGE	
5	700737790	4	BOLT	RIBBED NECK #12-24X.75
6	7705692	4	FLAT WASHER	#12
7	700705521	4	SPECIAL LOCKNUT	#12-24
8	700141617	1	MOUNTING PLATE S/N HT85101 - CHB02100	
9	700708270	2	HEXAGON HEAD BOLT	5/8"-11 X 3
10	700711198	2	FLANGE LOCKNUT	5/8/-11
11	700113037	2	PAWL PIN	
12	700113036	2	CLUTCH PAWL	
13	Z63396	2	ROLL PIN	3/16" X 1-1/2
14	77115	1	GREASE FITTING	
15	6522932	2	CLUTCH SHIM	
16	705541	3	FLAT WASHER	1/2

1270N / 1270S LARGE RECTANGULAR BALER
CLUTCH - FLYWHEEL



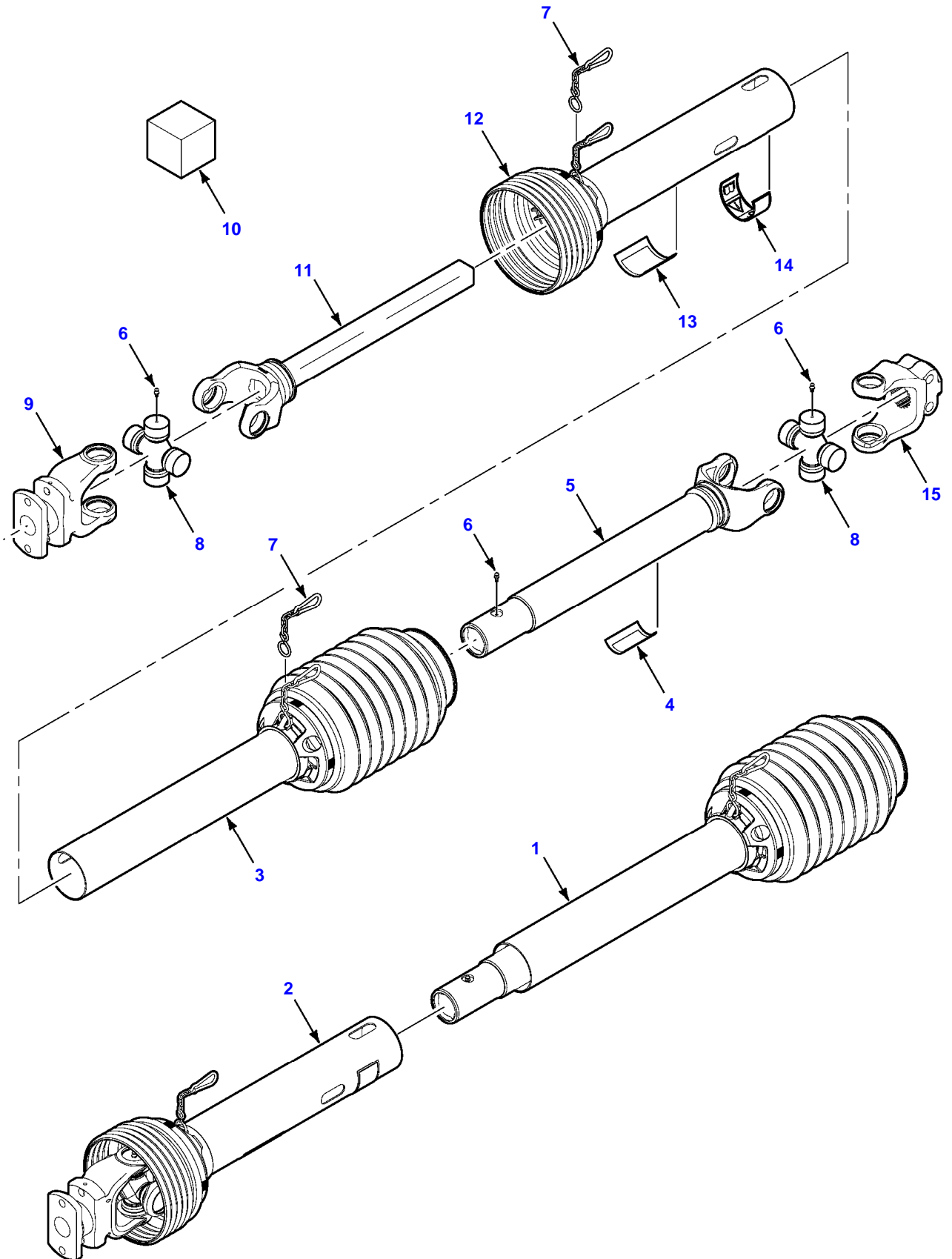
Item	Part Number	Qty	Description Comments	Technical Specification
1	7852114	2	BRONZE BUSHING	
2	700164637	1	CLUTCH HOUSING	
	7852114	2	BRONZE BUSHING	
3	6350805	1	TUBE	3-3/4 X 2" OD
4	76521	1	FLAT WASHER	NON-PLATED, 7/8
5	700707250	1	STOP NUT	7/8-14
6	858019	8	COMPRESSION SPRING	
7	700108820	5	FRICITION DISC	
8	700112903	4	CLUTCH PLATE	
9	6522866	1	CLUTCH PLATE	
10	Z52274	1	WASHER	
11	700141153	1	CLUTCH PILOT	
12	700732562	8	HEX BOLT	3/8-16 X 7-1/2
13	700709603	8	FLAT WASHER	3/8 INCH
14	704734	8	FLANGE LOCKNUT	3/8-16

1270N / 1270S LARGE RECTANGULAR BALER
DRIVE SHAFT



Item	Part Number	Qty	Description Comments	Technical Specification
1	8052326	2	RETAINING RING	
2	700721594	2	CYLINDRICAL BEARING	1.7715" ID
3	700734696	1	SUPPORT	
4	700174791	1	DRIVE SHAFT	

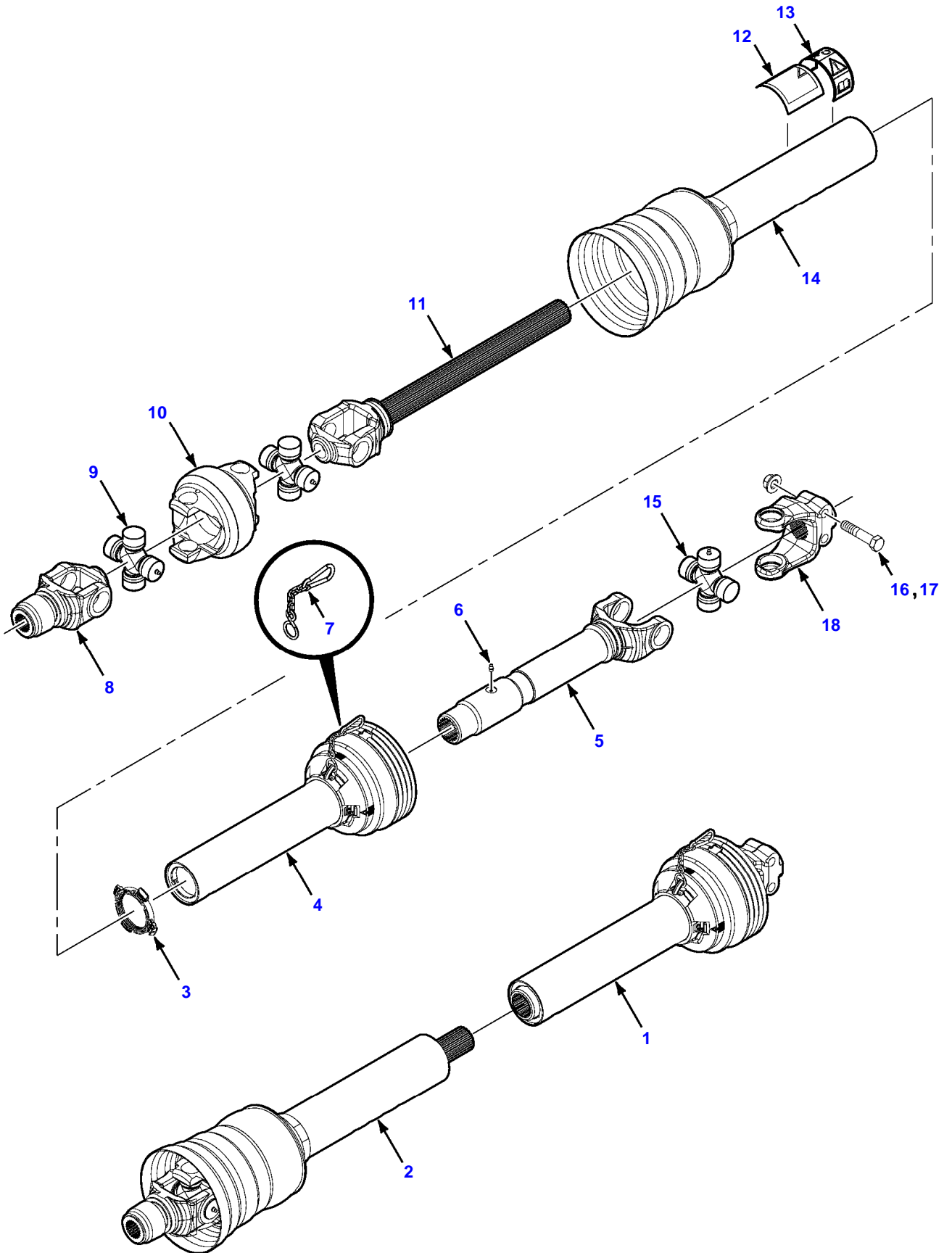
1270N / 1270S LARGE RECTANGULAR BALER
SECONDARY DRIVE SHAFT



Item	Part Number	Qty	Description Comments	Technical Specification
1	700724125	1	DRIVELINE	
2	700724123	1	DRIVELINE	
3	700724141	1	INNER GUARD	
4	700708583	1	DANGER DECAL, SHIELD MISSING	DANGER
5	700724142	1	YOKE TUBE [A]	
6	77016	3	GREASE FITTING	1/4-28 IN
7	700720152	2	CHAIN KIT	
8	700724136	2	CROSS AND BEARING KIT	
	Z77016	1	GREASE FITTING	1/4-28
9	700706955	1	YOKE	
	7711799	1	CYLINDRICAL BEARING	
	700706956	1	BEARING	
	7052798	1	RETAINING RING	
	77107	1	GREASE FITTING	
10	700723268	1	NYLON BUSHING	
11	700724137	1	YOKE SHAFT	
12	700724140	1	OUTER GUARD [A]	
13	700707960	1	DECAL	
14	700728658	1	WARNING DECAL, CE	
15	700721794	1	YOKE	

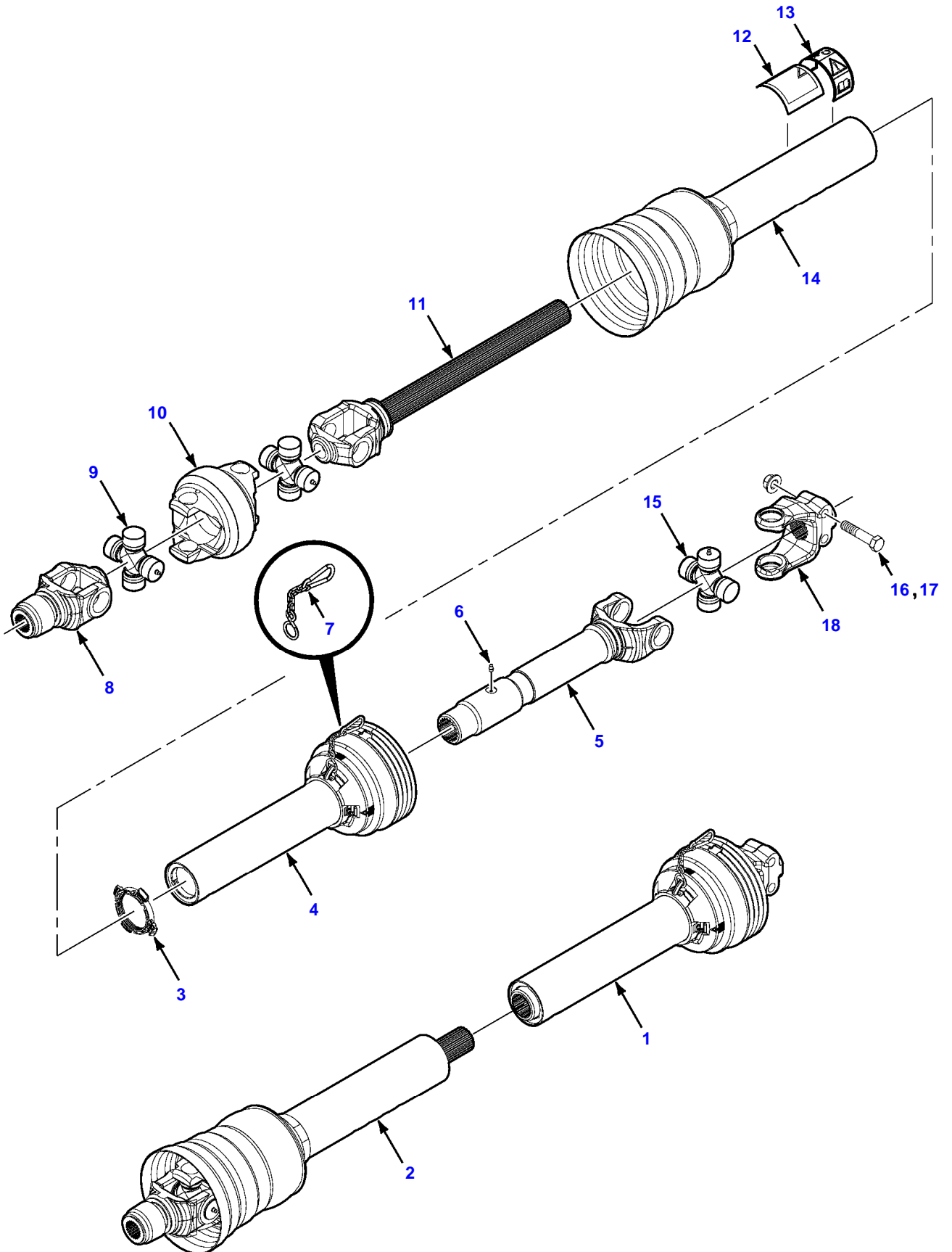
[A] THE APPROPRIATE SAFETY DECALS MUST BE ORDERED AND FITTED TO THIS PART

1270N / 1270S LARGE RECTANGULAR BALER
PRIMARY DRIVE SHAFT - CE



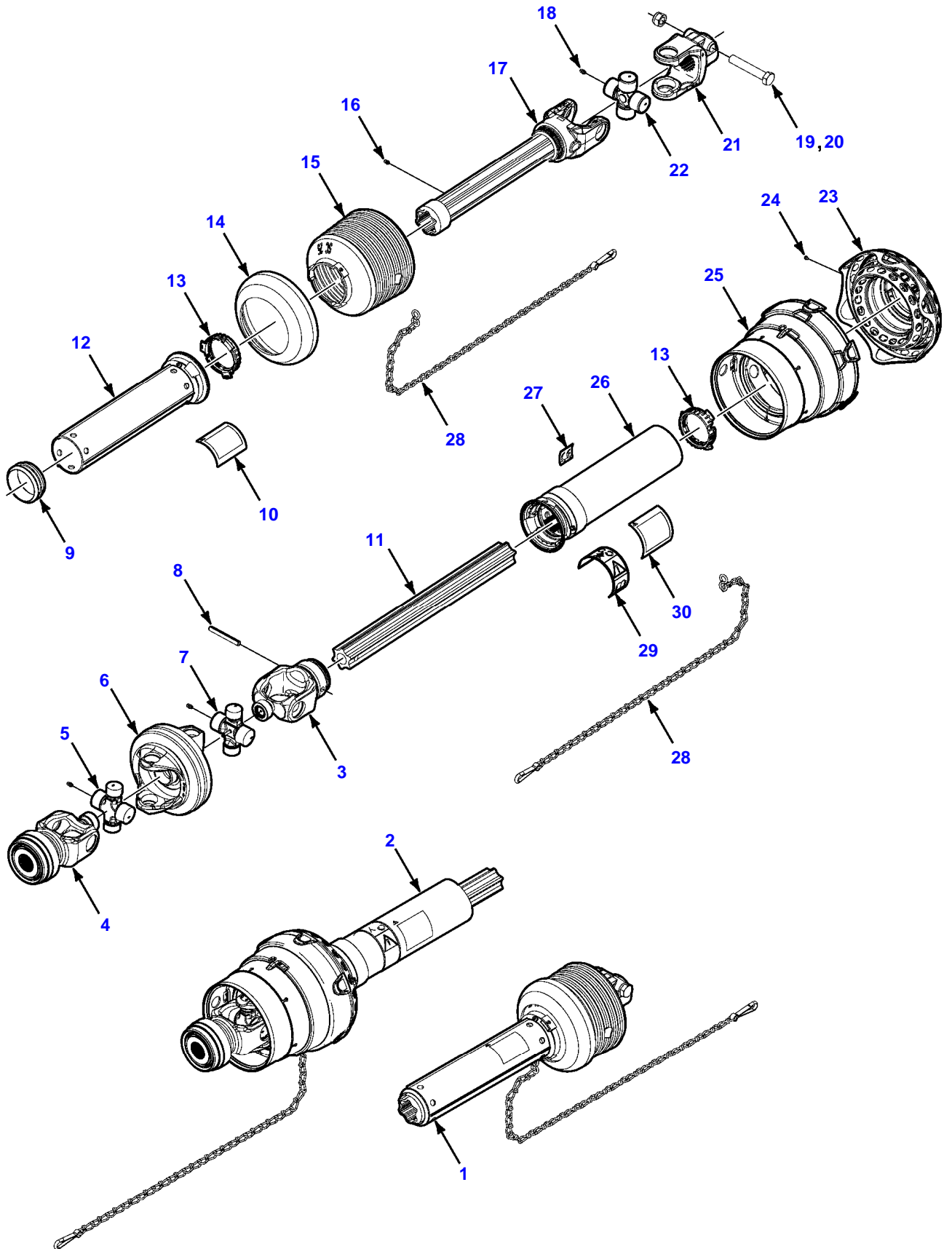
Item	Part Number	Qty	Description Comments	Technical Specification
			1-3/8 INCH X 21 SPLINE S/N HT85101 - AHB02100	
1	700728942	1	DRIVELINE	
2	700728940	1	DRIVELINE	
3	700723268	2	NYLON BUSHING	
4	700728950	1	INNER GUARD	
5	700728951	1	YOKE	
			[A]	
6	77016	1	GREASE FITTING	1/4-28 IN
7	700729055	2	CHAIN KIT	
8	700728943	1	YOKE	
	700720122	1	AUTO LOCK REPAIR KIT	
9	700728945	2	CROSS AND BEARING KIT	
	77016	1	GREASE FITTING	1/4-28 IN
10	700728946	1	HOUSING	
11	700728947	1	YOKE SHAFT	
12	700707960	1	DECAL	
13	700728658	1	WARNING DECAL, CE	
14	700728948	1	OUTER GUARD	
			[A]	
15	700724136	1	CROSS AND BEARING KIT	
	Z77016	1	GREASE FITTING	1/4-28
16	700708270	2	HEXAGON HEAD BOLT	5/8"-11 X 3
17	700711198	2	FLANGE LOCKNUT	5/8"-11
18	700721794	1	YOKE	
			[A] THE APPROPRIATE SAFETY DECALS MUST BE ORDERED AND FITTED TO THIS PART	

1270N / 1270S LARGE RECTANGULAR BALER
PRIMARY DRIVE SHAFT - CE



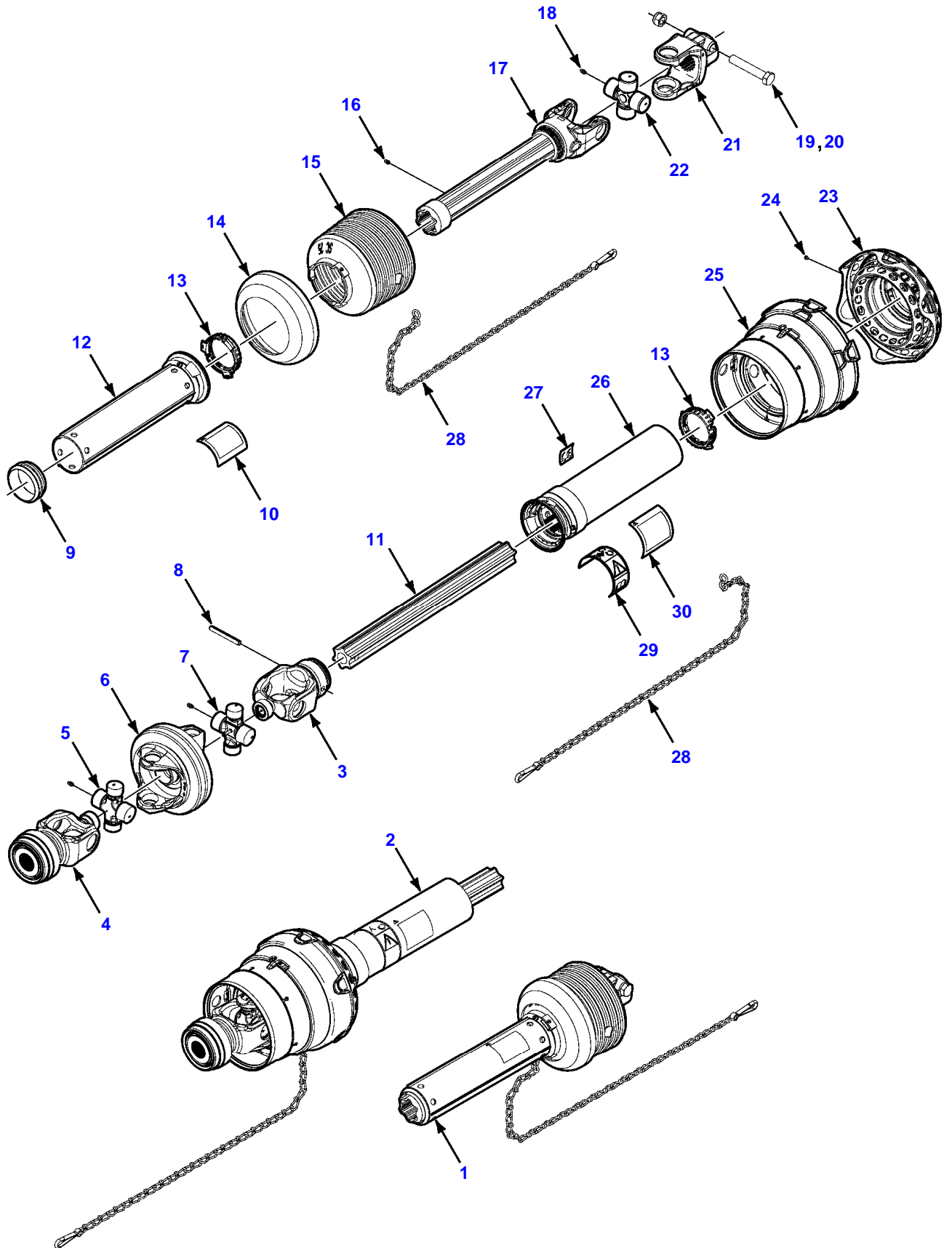
Item	Part Number	Qty	Description Comments	Technical Specification
			1-3/4 INCH X 20 SPLINE S/N HT85101 - AHB02100	
1	700728942	1	DRIVELINE	
2	700728941	1	DRIVELINE	
3	700723268	2	NYLON BUSHING	
4	700728950	1	INNER GUARD	
5	700728951	1	YOKE	
6	77016	1	GREASE FITTING	1/4-28 IN
7	700729055	2	CHAIN KIT	
8	700728944	1	YOKE	TYPE 3
	700711425	1	REPAIR KIT	20 SPLINE 1000RPM
9	700728945	2	CROSS AND BEARING KIT	
	77016	1	GREASE FITTING	1/4-28 IN
10	700728946	1	HOUSING	
11	700728947	1	YOKE SHAFT	
12	700707960	1	DECAL	
13	700728658	1	WARNING DECAL, CE	
14	700728948	1	OUTER GUARD	
			[A]	
15	700724136	1	CROSS AND BEARING KIT	
	Z77016	1	GREASE FITTING	1/4-28
16	700708270	2	HEXAGON HEAD BOLT	5/8"-11 X 3
17	700711198	2	FLANGE LOCKNUT	5/8"-11
18	700721794	1	YOKE	
			[A] THE APPROPRIATE SAFETY DECALS MUST BE ORDERED AND FITTED TO THIS PART	

1270N / 1270S LARGE RECTANGULAR BALER
PRIMARY DRIVE SHAFT - CE



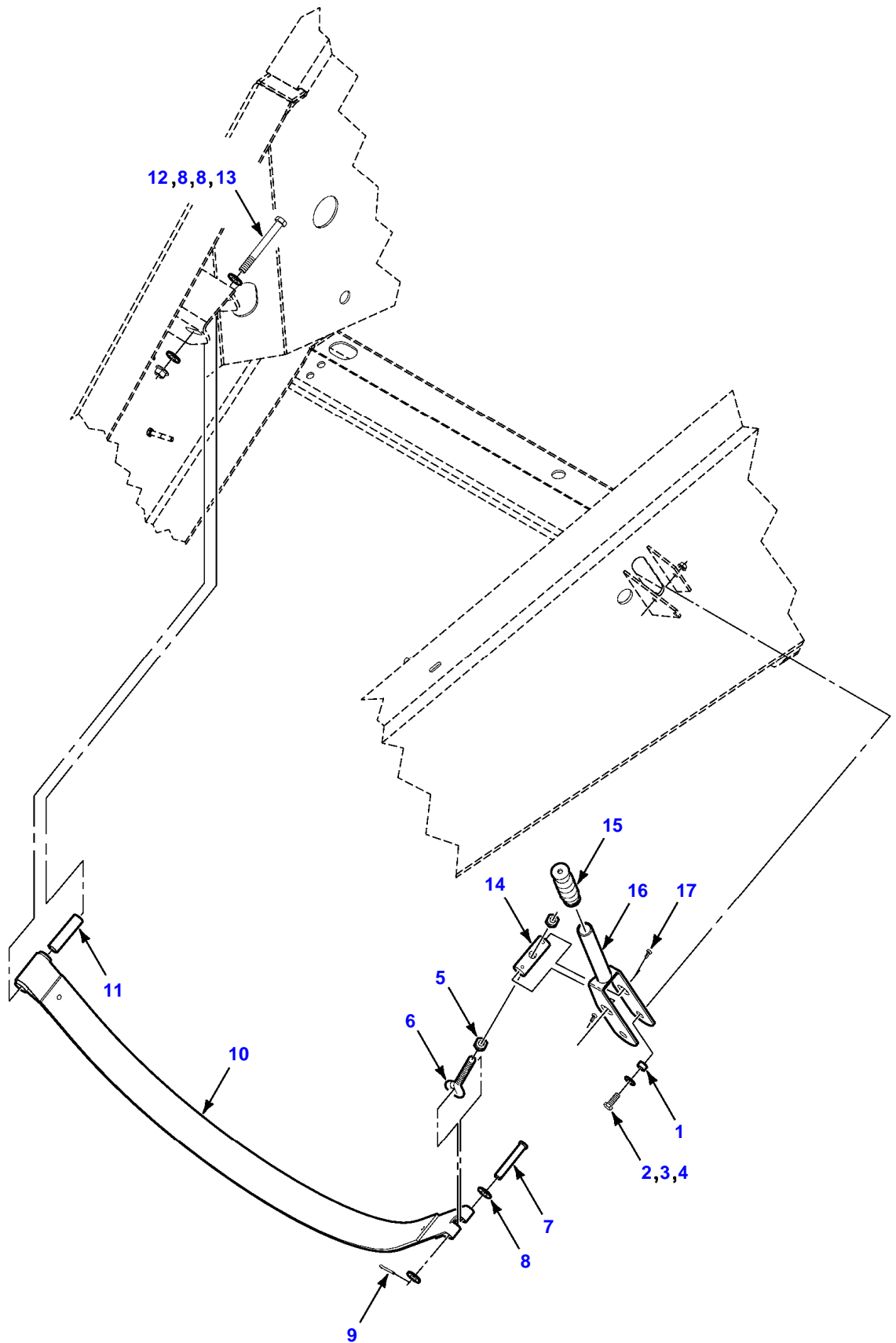
Item	Part Number	Qty	Description Comments	Technical Specification
			1-3/8 INCH X 21 SPLINE S/N AHB02101 AND LATER	
1	700737113	1	UNIVERSAL JOINT	
2	700735106	1	DRIVELINE	
3	700735112	1	YOKE	
4	700735109	1	YOKE	1-3/8 21 SPLINE
	700735126	1	REPAIR KIT	LOCK
5	700735113	1	CROSS AND BEARING KIT	CROSS AND BEARING
6	700735110	1	DOUBLE YOKE	
7	700735111	1	CROSS AND BEARING KIT	CROSS AND BEARING
8	763847	1	SPRING PIN	10 X 75 MM
9	700735123	1	BEARING BRACKET	
10	700708583	1	DANGER DECAL, SHIELD MISSING	DANGER
11	700735114	1	INNER PROFILE SHAFT	
12	700737117	1	TUBE [A]	
13	8800633	2	BEARING RING	SC25
14	700735124	1	REINFORCING COLLAR	
15	700735122	1	CONE GUARD	
16	700713262	1	GREASE FITTING	1/4-28
17	700737115	1	YOKE	IB (S5G)
18	700735125	3	GREASE FITTING	M6 X 1 IN
19	339182X1	1	HEX CAP SCREW	M16-2.0 X 90-ISO 8.8-ZN
20	1442739X1	1	LOCKNUT	M16-ISO 8-ZN
21	700737116	1	YOKE	
22	700735116	1	CROSS AND BEARING KIT	CROSS AND BEARING
23	700735121	1	GUARD CONE AND FLEX NET	
24	700714614	10	HEXAGON FLANGE HEAD BOLT	
25	700735120	1	CV GUARD/BEARING	
26	700735117	1	GUARD TUBE AND CAP [A]	
27	700735129	1	DECAL, CE MARK	
28	71382485	2	SAFETY CHAIN	
29	700728658	1	WARNING DECAL, CE	
30	700707960	1	DECAL	
			[A] THE APPROPRIATE SAFETY DECALS MUST BE ORDERED AND FITTED TO THIS PART	

1270N / 1270S LARGE RECTANGULAR BALER
PRIMARY DRIVE SHAFT - CE



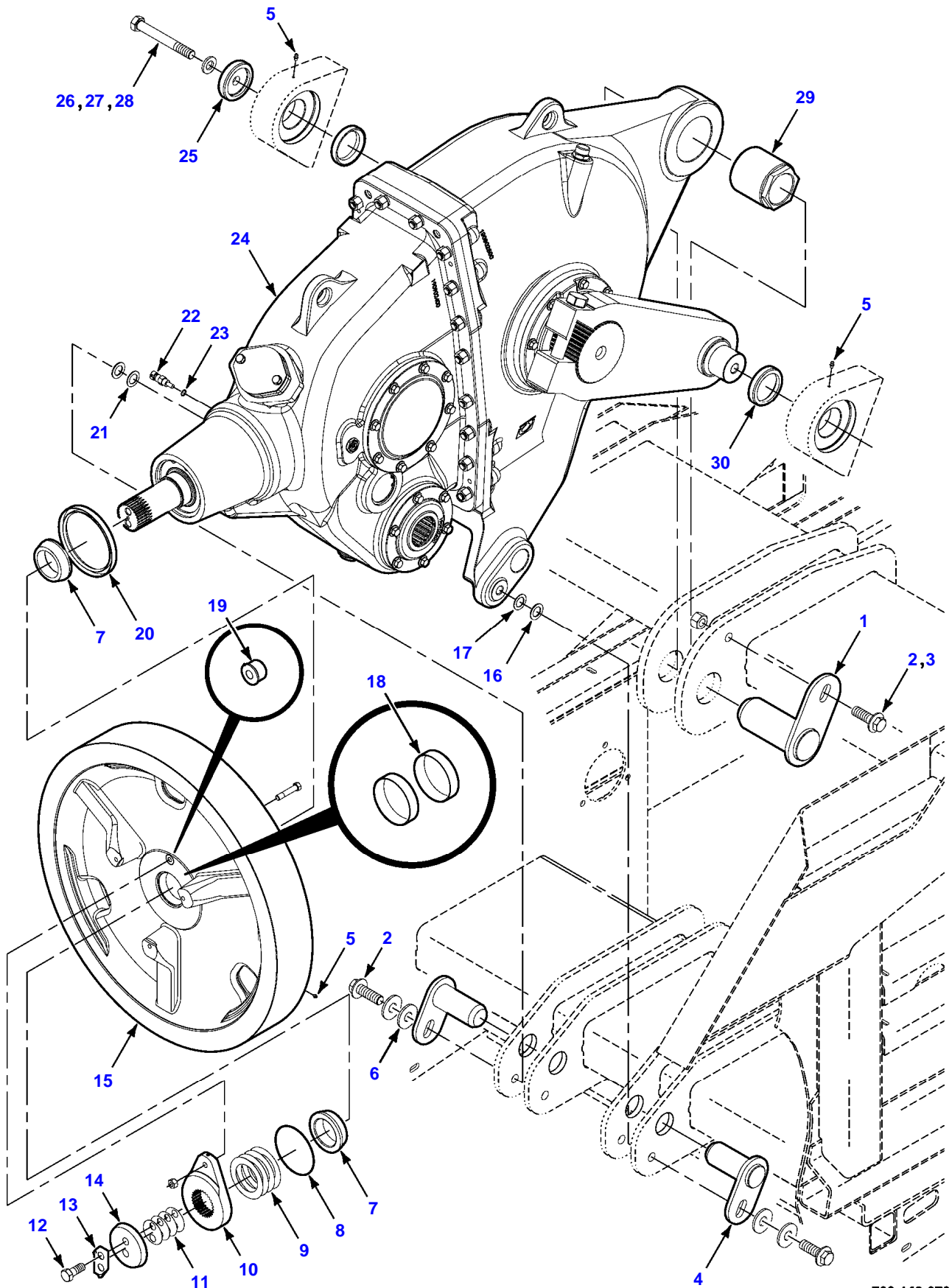
Item	Part Number	Qty	Description Comments	Technical Specification
			1-3/4 INCH X 20 SPLINE S/N AHB02101 AND LATER	
1	700737113	1	UNIVERSAL JOINT	
2	700735108	1	DRIVELINE	
3	700735112	1	YOKE	
4	700735127	1	YOKE	1-3/4 20 SPLINE
	700735128	1	REPAIR KIT	LOCK
5	700735113	1	CROSS AND BEARING KIT	CROSS AND BEARING
6	700735110	1	DOUBLE YOKE	
7	700735111	1	CROSS AND BEARING KIT	CROSS AND BEARING
8	763847	1	SPRING PIN	10 X 75 MM
9	700735123	1	BEARING BRACKET	
10	700708583	1	DANGER DECAL, SHIELD MISSING	DANGER
11	700735114	1	INNER PROFILE SHAFT	
12	700737117	1	TUBE [A]	
13	8800633	2	BEARING RING	SC25
14	700735124	1	REINFORCING COLLAR	
15	700735122	1	CONE GUARD	
16	700713262	1	GREASE FITTING	1/4-28
17	700737115	1	YOKE	IB (S5G)
18	700735125	3	GREASE FITTING	M6 X 1 IN
19	339182X1	1	HEX CAP SCREW	M16-2.0 X 90-ISO 8.8-ZN
20	1442739X1	1	LOCKNUT	M16-ISO 8-ZN
21	700737116	1	YOKE	
22	700735116	1	CROSS AND BEARING KIT	CROSS AND BEARING
23	700735121	1	GUARD CONE AND FLEX NET	
24	700714614	10	HEXAGON FLANGE HEAD BOLT	
25	700735120	1	CV GUARD/BEARING	
26	700735117	1	GUARD TUBE AND CAP [A]	
27	700735129	1	DECAL, CE MARK	
28	71382485	2	SAFETY CHAIN	
29	700728658	1	WARNING DECAL, CE	
30	700707960	1	DECAL	
			[A] THE APPROPRIATE SAFETY DECALS MUST BE ORDERED AND FITTED TO THIS PART	

1270N / 1270S LARGE RECTANGULAR BALER
BRAKE - FLYWHEEL



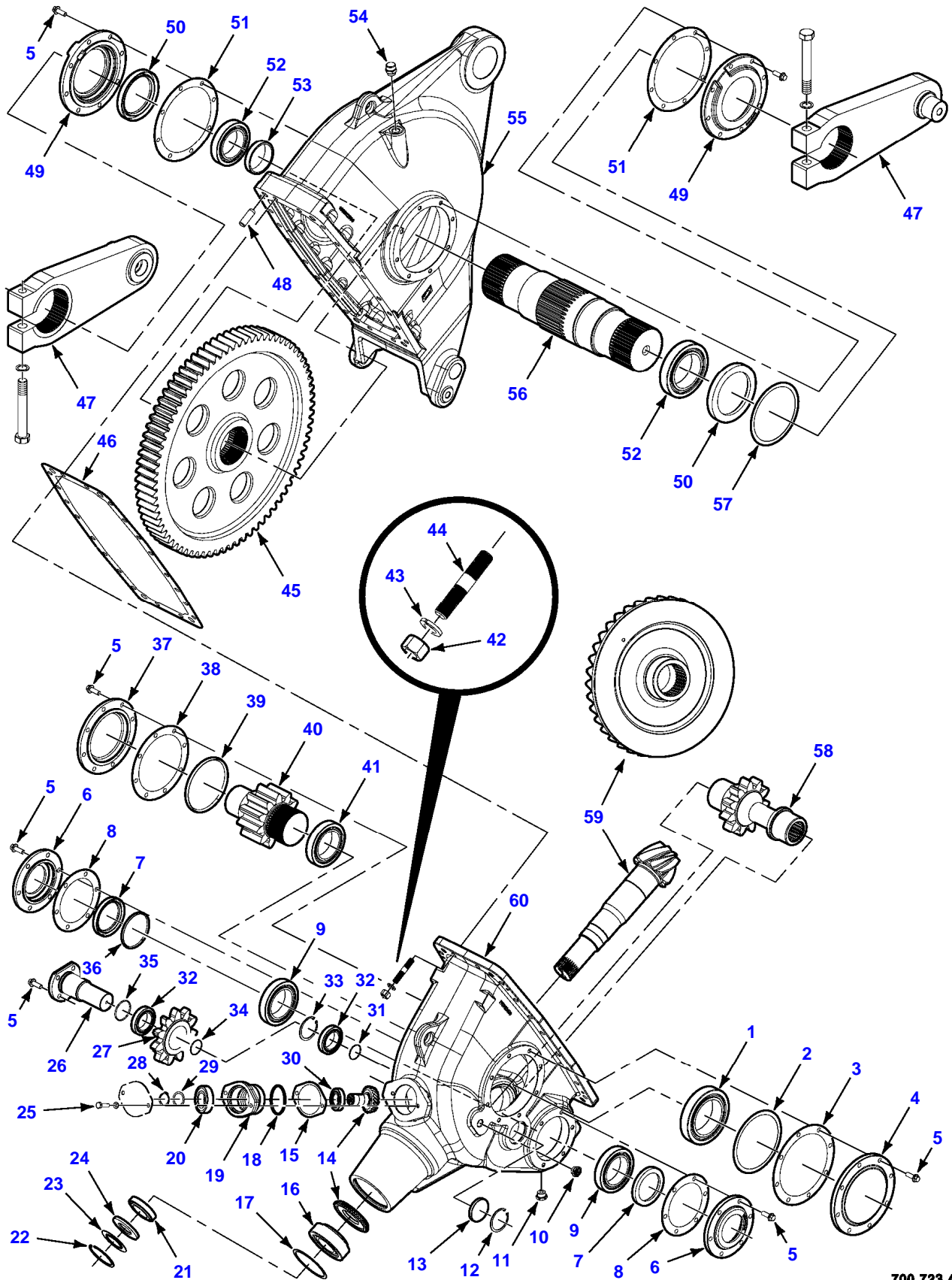
Item	Part Number	Qty	Description Comments	Technical Specification
1	6489231	2	SPACER	10.34MM ID X 15.88MM OD X 8MM
2	703249	2	HEXAGON HEAD BOLT	3/8-16 X 1.00 GRADE 5
3	705533	2	FLAT WASHER	3/8 INCH
4	704734	2	FLANGE LOCKNUT	3/8-16
5	7704752	2	HEX NUT	1/2-13
6	766667	1	EYEBOLT	1/2-13 X 10"
7	63883	1	CLEVIS PIN	1/2 X 3
8	705541	4	FLAT WASHER	1/2
9	62174	1	SPLIT PIN	5/32 X 1
10	700113058	1	BRAKE	
11	6524003	1	SPACER	
12	703223	1	HEXAGON HEAD BOLT	1/2"-13 X 4-1/2
13	704742	1	FLANGE LOCKNUT	1/2-13
14	700113057	1	BRAKE PIN	
15	27342	1	HANDLE	
16	700113054	1	HANDLE	
17	62257	2	PIN	

1270N / 1270S LARGE RECTANGULAR BALER MOUNTING - FLYWHEEL



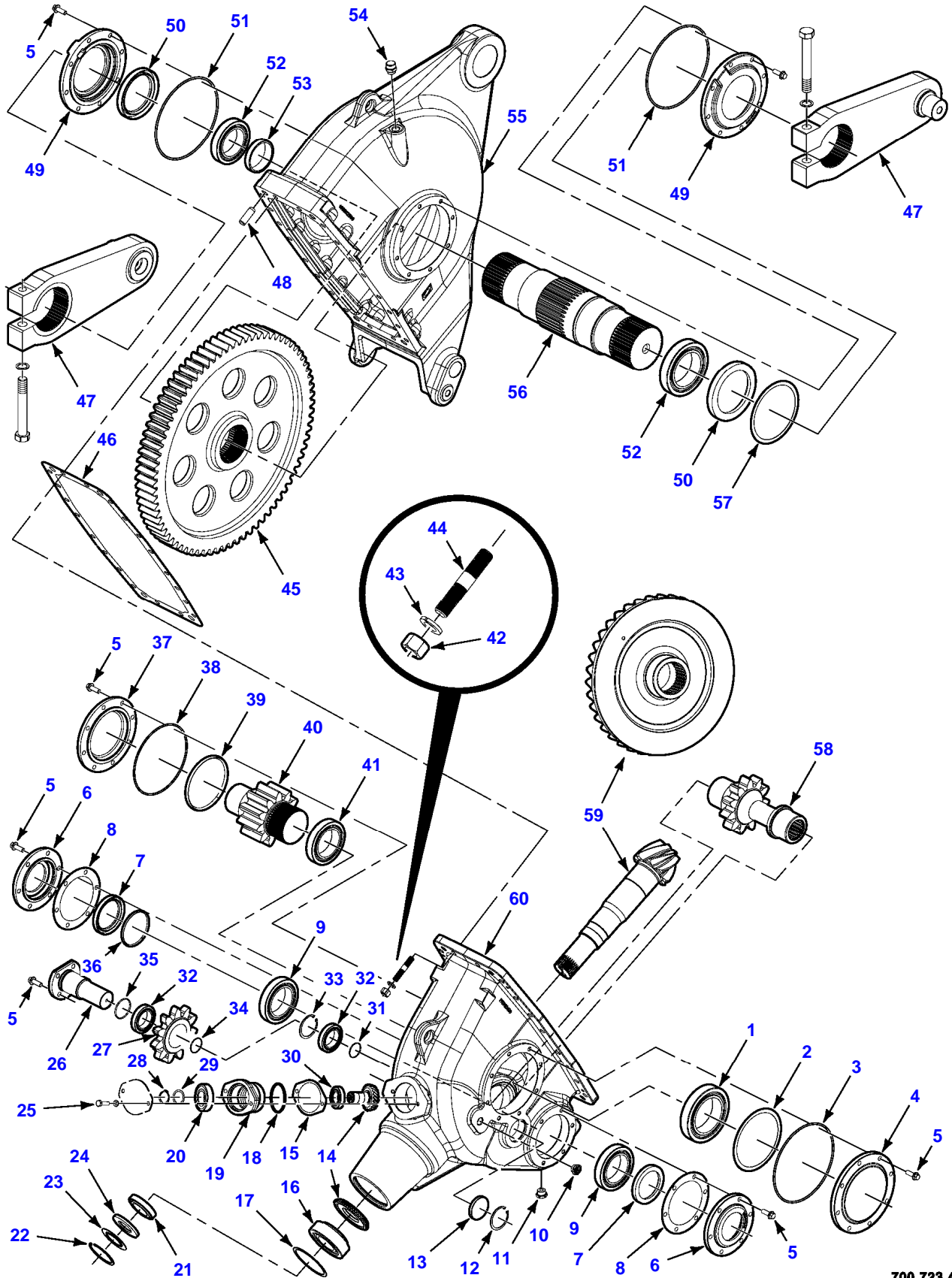
Item	Part Number	Qty	Description Comments	Technical Specification
1	700146152	1	GEARBOX PIN	
2	3009256X1	4	CARRIAGE BOLT	M20X60-ISO 10.9-ZN
3	3019128X1	1	NUT	M20-ISO 10-ZN
4	700146842	2	GEARBOX PIN	
5	77016	3	GREASE FITTING	1/4-28 IN
6	700711166	4	FLAT WASHER	3/4"
7	700706039	2	TAPERED BEARING	
8	700706050	1	O-RING	4-1/4" ID
9	700706056	-	SHIM	2-1/2 X 3-3/4 X 0.003
	700706057	-	SHIM	2-1/2 X 3-3/4 X 0.005
	700706058	-	SHIM	2-1/2 X 3-3/4 X 0.010
	700707991	-	SHIM	0.020
10	700143193	1	SHEAR HUB	
	700728938	1	PLUNGER SPRING	
11	700706059	-	SHIM	21/32 X 2-3/16 X 0.003
	700706060	-	SHIM	21/32 X 2-3/16 X 0.005
	700706061	-	SHIM	21/32 X 2-3/16 X 0.010
	700707993	-	SHIM	0.020
12	700708355	2	HEXAGON HEAD BOLT	M16 X 40 (2.0)
13	700113045	1	LOCKING PLATE	
14	700113044	1	RETAINER CAP	
15	700175312	1	FLYWHEEL	
	700706038	2	BEARING CUP	
	7852718	1	SHEAR BUSHING	
16	852608	-	WIDE RIM BUSHING	7/8 X 14, GA
17	700730827	-	WIDE RIM BUSHING	7/8 X 1-3/4 X 18 GA
18	700706038	2	BEARING CUP	
19	7852718	1	SHEAR BUSHING	
20	700706045	1	LIP SEAL	
21	52191	-	NARROW RIM BUSHING	7/8 X 18
22	71393718	1	OIL TEMPERATURE SENSOR	
23	7040330	1	O-RING	0.414 ID
24	700723443	1	GEARBOX	
25	700143194	1	FLAT WASHER	7/8 X 3-11/32 X 23/32
26	7701535	1	HEXAGON HEAD BOLT	3/4"-10 X 6
27	705566	1	FLAT WASHER	3/4 INCH
28	700710072	1	LOCKNUT	3/4-10
29	700141086	1	ECCENTRIC GEARBOX	
30	700137106	2	BEARING SPACER	

1270N / 1270S LARGE RECTANGULAR BALER GEARBOX ASSEMBLY



Item	Part Number	Qty	Description Comments	Technical Specification
			S/N HT85101 - CHB02100	
	700723443	1	GEARBOX	
1	700730904	1	BEARING	
2	700730893	1	SHIM KIT, LEFT HAND	
3	700730874	1	ENDCAP SEAL	
4	700730862	1	END CAP, LEFT HAND	
5	3009221X1	40	CARRIAGE BOLT	M12X35-ISO 10.9-ZN
6	700730860	2	END CAP	
7	700730909	2	OIL SEAL	
8	700730872	2	OUTPUT SHAFT END COVER GASKET	
9	700730900	2	BEARING	
10	700730915	1	OIL PLUG	
11	700730914	1	MAGNETIC OIL PLUG	
12	700730884	1	RETAINING RING	
13	700730913	1	COVER	
14	700730918	1	GEAR SET	
15	700730889	1	SEAL KIT	
16	700730906	1	BEARING	
17	700730892	1	SHIM KIT	
18	700730912	1	O-RING	3.109 ID
19	700730863	1	HYDRAULIC PUMP SUPPORT	
20	700730897	1	BEARING	
21	700730899	1	BEARING	
22	700730885	1	RETAINING RING	
23	700730878	1	SEALING PLATE	
24	700730908	1	OIL SEAL	
25	3009210X1	2	CARRIAGE BOLT	M10X45-ISO 10.9-ZN
26	700730870	1	END CAP	
27	700730867	1	IDLER SHAFT GEAR	
28	700730883	1	RETAINING RING	
29	700730888	1	SHIM KIT	
30	700730902	1	BEARING	
31	700730877	1	BEARING SPACER	
32	700730898	2	BEARING	
33	700730886	1	RETAINING RING	
34	700730876	1	BEARING SPACER	
35	700730910	1	O-RING	2.313 ID
36	700730890	1	SHIM KIT, RIGHT HAND	
37	700730857	1	END CAP, RIGHT HAND	
38	700730873	1	ENDCAP SEAL	
39	700730891	1	SHIM KIT, RIGHT HAND	
40	700730865	1	INTERMEDIATE SHAFT	
41	700730905	1	BEARING	
42	3019871X1	20	NUT	M16-ISO 10-PH
43	705780	20	FLAT WASHER	16.5 X 30 X 3MM
44	700730882	20	STUD BOLT	M16-2 X 56MM
45	700730868	1	PRIMARY OUTPUT GEAR	
46	700730871	1	GASKET SHIM KIT	
47	700730919	2	CRANK ARM KIT	
48	700730896	4	DOWEL PIN	
49	700730858	2	END CAP	
50	700730907	2	OIL SEAL	
51	700730875	2	ENDCAP SEAL	
52	700730901	2	BEARING	
53	700730880	1	SPACER, RIGHT HAND	
54	700730916	1	OIL PLUG	
55	700730859	1	GEARBOX HOUSING	
56	700734048	1	PRIMARY OUTPUT SHAFT	
57	700730894	1	SHIM KIT	
58	700730866	1	SECONDARY OUTPUT SHAFT	
59	700730917	1	GEAR SET	
60	700730864	1	GEARBOX HOUSING	

1270N / 1270S LARGE RECTANGULAR BALER
GEARBOX ASSEMBLY



Thank you so much for reading.
Please click the “Buy Now!”
button below to download the
complete manual.



After you pay.

You can download the most
perfect and complete manual in
the world immediately.

Our support email:

ebooklibonline@outlook.com