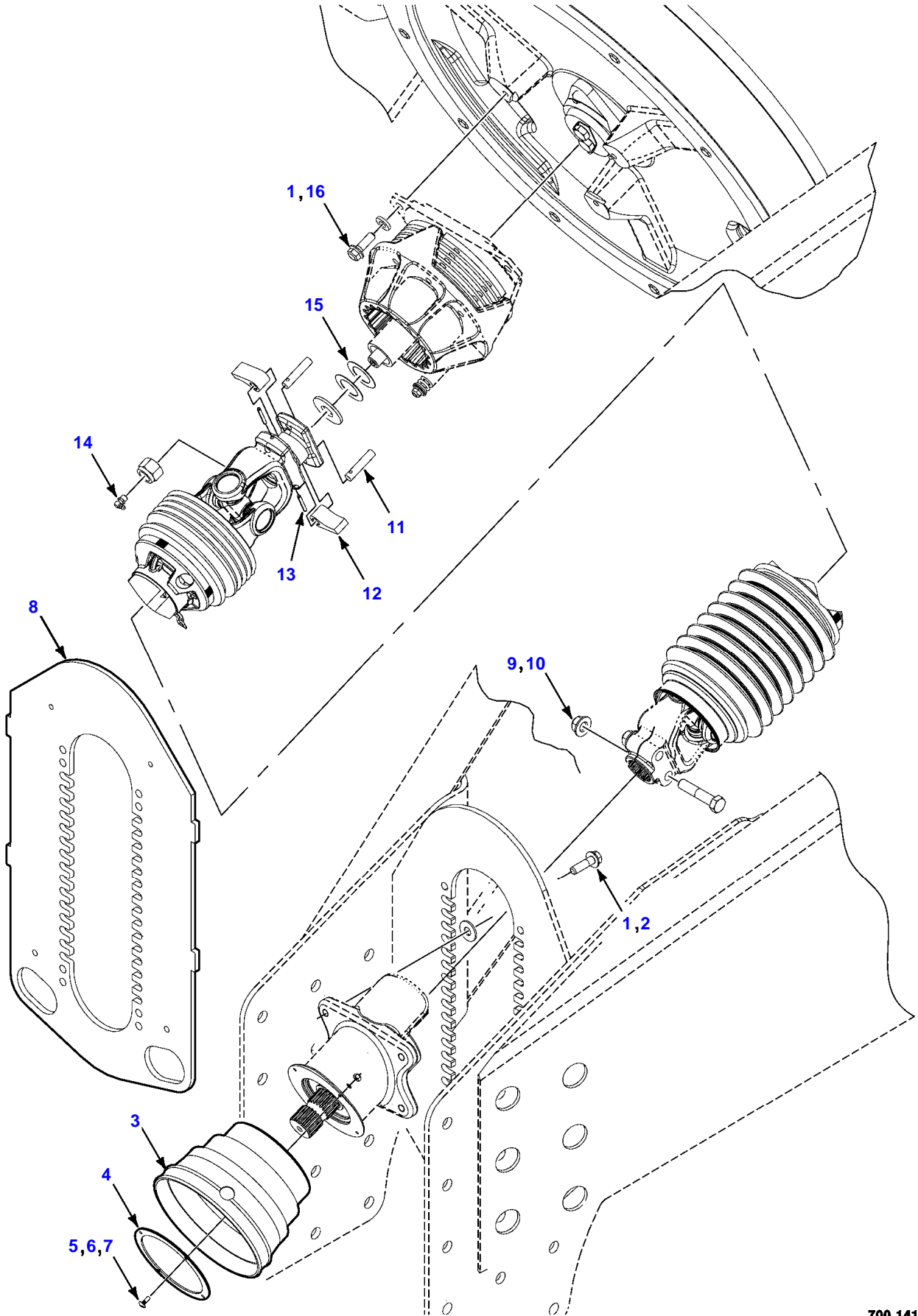


Page Number	Page Title	Page Reference
01-000-TOC	DRIVE SYSTEM	01-000-TOC
02-000-TOC	HYDRAULIC SYSTEM	02-000-TOC
03-000-TOC	ELECTRICAL SYSTEM	03-000-TOC
04-000-TOC	BALE FEEDING SYSTEM	04-000-TOC
05-000-TOC	BALE FORMING SYSTEM	05-000-TOC
06-000-TOC	BALE EJECTING SYSTEM	06-000-TOC
07-000-TOC	CHASSIS	07-000-TOC
08-000-TOC	DECALS	08-000-TOC
09-000-TOC	AXLES, SPINDLES, AND WHEELS	09-000-TOC
10-000-TOC	BRAKE SYSTEM	10-000-TOC
11-000-TOC	ACCESSORIES	11-000-TOC

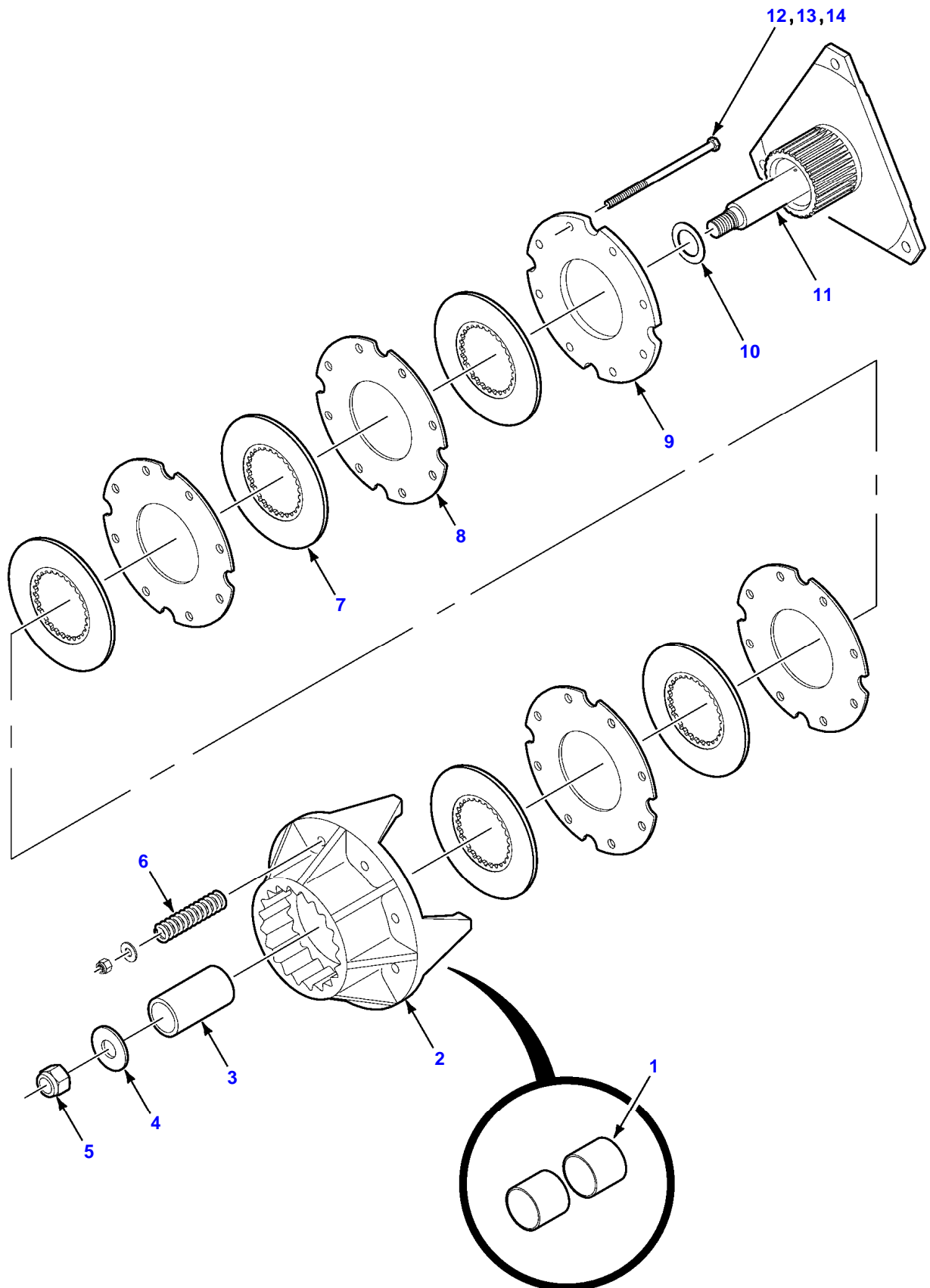
Page Number	Page Title	Page Reference
01-001	MAIN DRIVE	T12G13J15C0002
01-002	CLUTCH - FLYWHEEL	T12G13J15C0003
01-003	DRIVE SHAFT	T12G13J15C0004
01-004	SECONDARY DRIVE SHAFT	T12G13J15C0005
01-005	PRIMARY DRIVE SHAFT - CE 1-3/8 INCH X 21 SPLINE S/N HUA3101 - AHB01100	T12G13J15C0006
01-006	PRIMARY DRIVE SHAFT - CE 1-3/4 INCH X 20 SPLINE S/N HUA3101 - AHB01100	T12G13J15C0007
01-007	PRIMARY DRIVE SHAFT - CE 1-3/8 INCH X 21 SPLINE S/N AHB01101 AND LATER	T12G13J15C0008
01-008	PRIMARY DRIVE SHAFT - CE 1-3/4 INCH X 20 SPLINE S/N AHB01101 AND LATER	T12G13J15C0009
01-009	BRAKE - FLYWHEEL	T12G13J15C0010
01-010	MOUNTING - FLYWHEEL	T12G13J15C0011
01-011	MOUNTING - GEARBOX	T12G13J15C0012
01-012	GEARBOX ASSEMBLY S/N HUA3101 - CHB01100	T12G13J15C0013
01-013	GEARBOX ASSEMBLY S/N CHB01101 AND LATER	T12G13J15C0014
01-014	AUXILIARY DRIVE - LEFT HAND S/N HUA3101 - BHB01100	T12G13J15C0015
01-015	AUXILIARY DRIVE - LEFT HAND S/N BHB01101 AND LATER	T12G13J15C0016
01-016	AUXILIARY DRIVE - RIGHT HAND	T12G13J15C0017
01-017	SHAFT AND SPROCKET - AUXILIARY	T12G13J15C0018
01-018	SLIP CLUTCH - AUXILIARY	T12G13J15C0019
01-019	DRIVE - CUTTER	T12G13J15C0020
01-020	GEARBOX ASSEMBLY - CUTTER	T12G13J15C0021
01-021	SLIP CLUTCH - CUTTER	T12G13J15C0022

870 LARGE RECTANGULAR BALER MAIN DRIVE



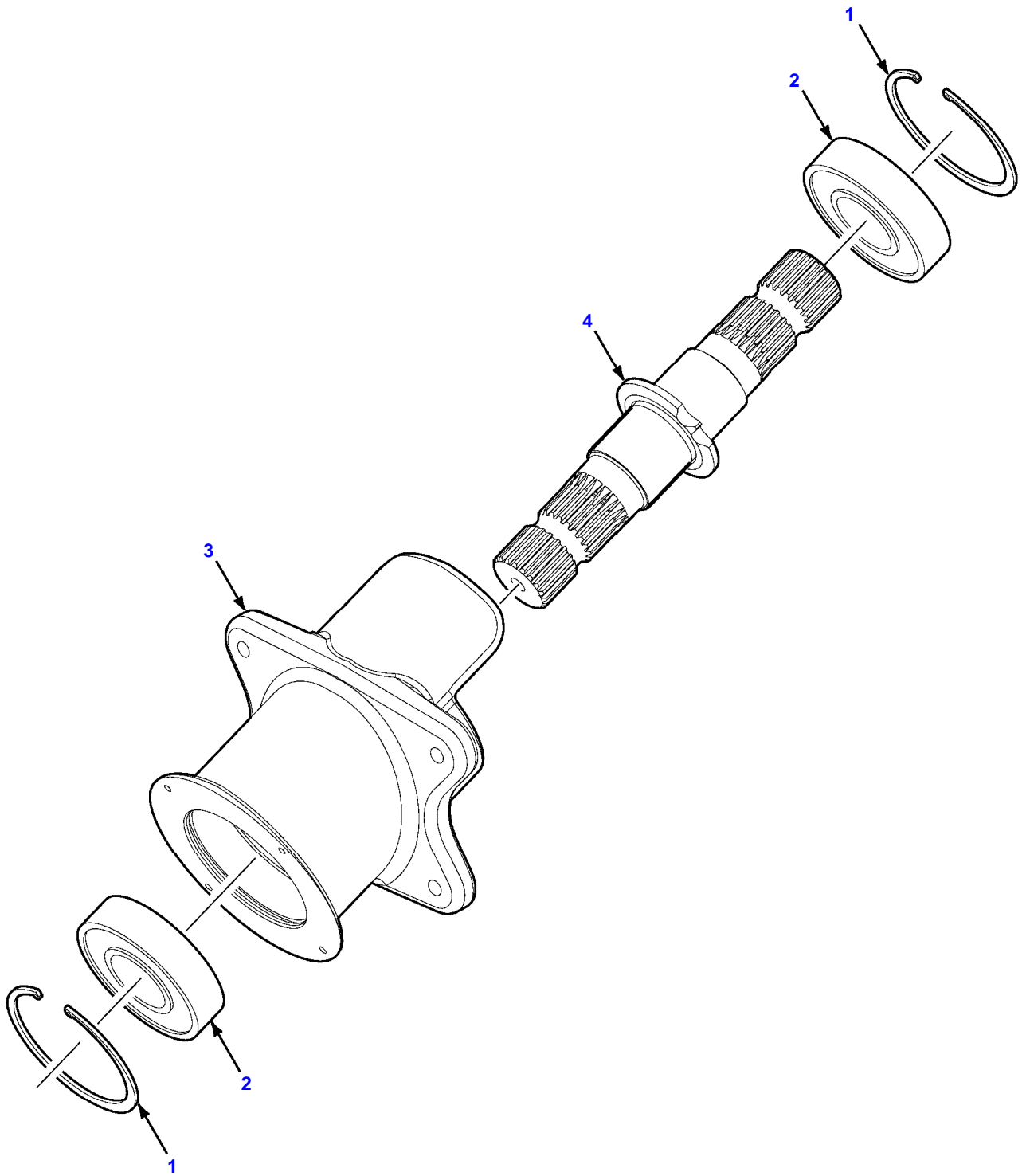
Item	Part Number	Qty	Description Comments	Technical Specification
1	8701237	7	HEXAGON FLANGE HEAD BOLT	1/2-13 X 1-1/2 GR8
2	700711557	4	FLAT WASHER	1/2
3	700729081	1	CONE GUARD	
4	700143340	1	MOUNTING FLANGE	
5	700737790	4	BOLT	RIBBED NECK #12-24X.75
6	7705692	4	FLAT WASHER	#12
7	700705521	4	SPECIAL LOCKNUT	#12-24
8	700141617	1	MOUNTING PLATE S/N HUA3101 - CHB01100	
9	700708270	2	HEXAGON HEAD BOLT	5/8"-11 X 3
10	700711198	2	FLANGE LOCKNUT	5/8/-11
11	700113037	2	PAWL PIN	
12	700113036	2	CLUTCH PAWL	
13	Z63396	2	ROLL PIN	3/16" X 1-1/2
14	77115	1	GREASE FITTING	
15	6522932	2	CLUTCH SHIM	
16	705541	3	FLAT WASHER	1/2

870 LARGE RECTANGULAR BALER CLUTCH - FLYWHEEL



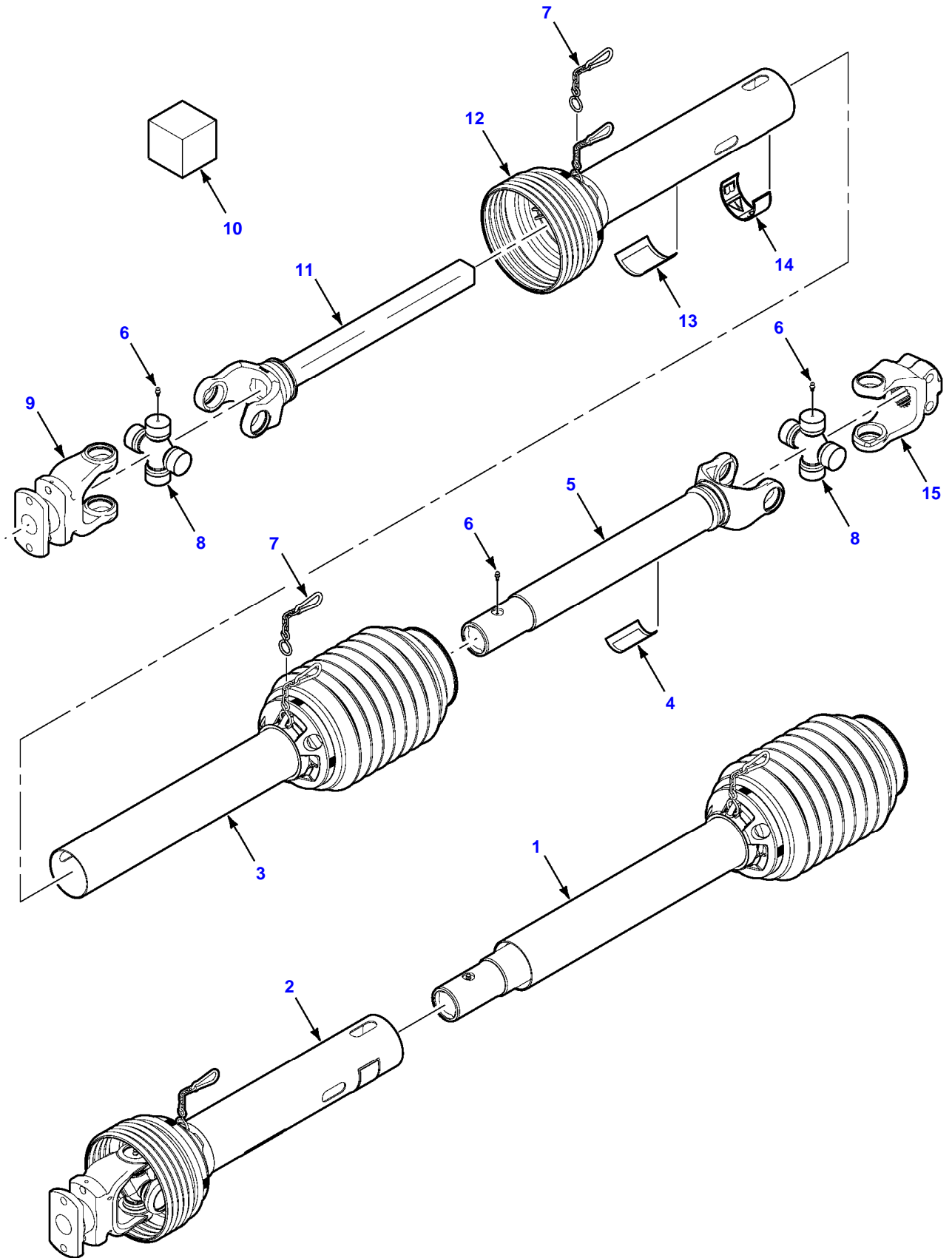
Item	Part Number	Qty	Description Comments	Technical Specification
1	7852114	2	BRONZE BUSHING	
2	700164637	1	CLUTCH HOUSING	
	7852114	2	BRONZE BUSHING	
3	6350805	1	TUBE	3-3/4 X 2" OD
4	76521	1	FLAT WASHER	NON-PLATED, 7/8
5	700707250	1	STOP NUT	7/8-14
6	858019	8	COMPRESSION SPRING	
7	700108820	5	FRICITION DISC	
8	700112903	4	CLUTCH PLATE	
9	6522866	1	CLUTCH PLATE	
10	Z52274	1	WASHER	
11	700141153	1	CLUTCH PILOT	
12	700732562	8	HEX BOLT	3/8-16 X 7-1/2
13	700709603	8	FLAT WASHER	3/8 INCH
14	704734	8	FLANGE LOCKNUT	3/8-16

870 LARGE RECTANGULAR BALER DRIVE SHAFT



Item	Part Number	Qty	Description Comments	Technical Specification
1	8052326	2	RETAINING RING	
2	700721594	2	CYLINDRICAL BEARING	1.7715" ID
3	700734696	1	SUPPORT	
4	700174791	1	DRIVE SHAFT	

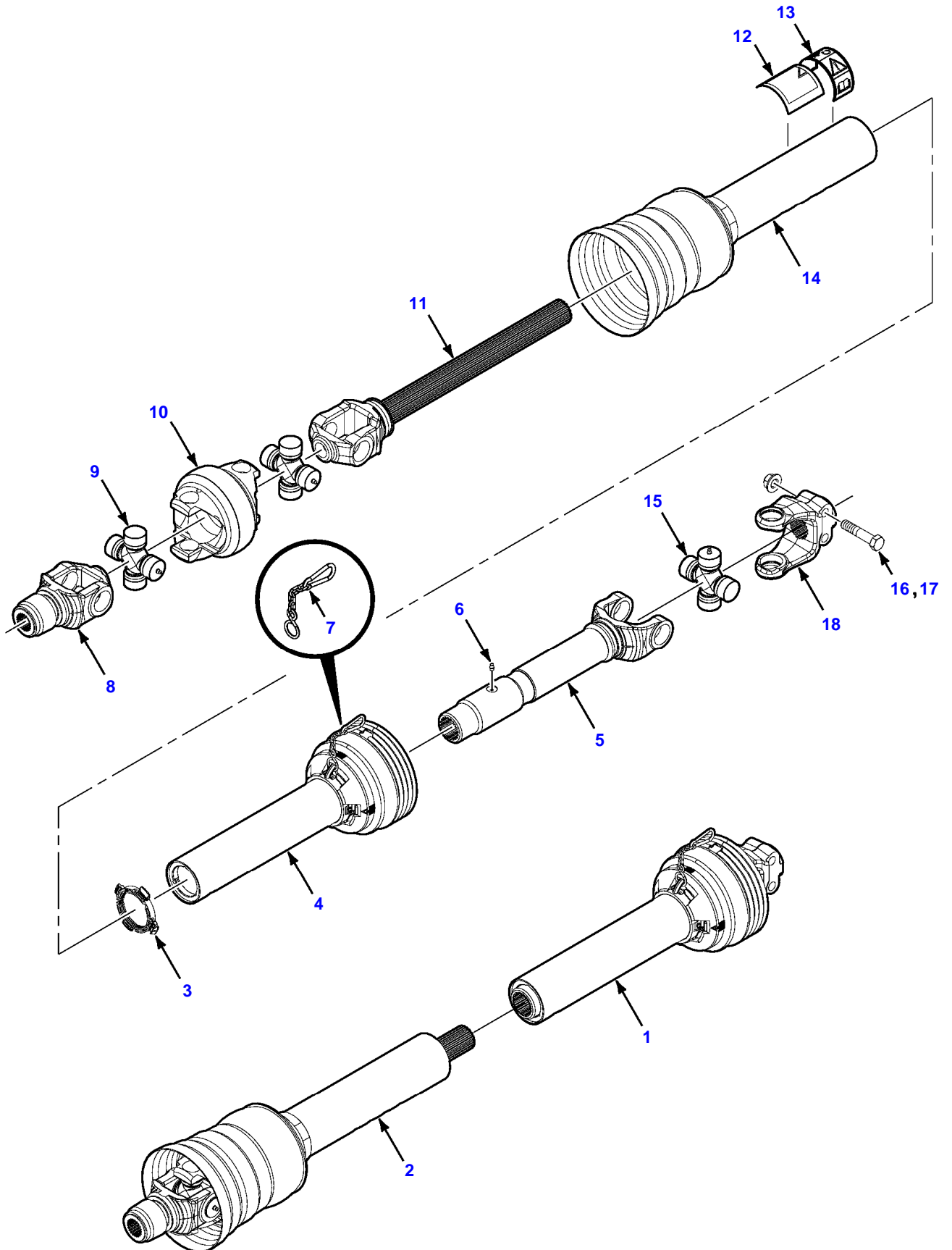
870 LARGE RECTANGULAR BALER SECONDARY DRIVE SHAFT



Item	Part Number	Qty	Description Comments	Technical Specification
1	700724125	1	DRIVELINE	
2	700724123	1	DRIVELINE	
3	700724141	1	INNER GUARD	
4	700708583	1	DANGER DECAL, SHIELD MISSING	DANGER
5	700724142	1	YOKE TUBE [A]	
6	77016	3	GREASE FITTING	1/4-28 IN
7	700720152	2	CHAIN KIT	
8	700724136	2	CROSS AND BEARING KIT	
	Z77016	1	GREASE FITTING	1/4-28
9	700706955	1	YOKE	
	7711799	1	CYLINDRICAL BEARING	
	700706956	1	BEARING	
	7052798	1	RETAINING RING	
	77107	1	GREASE FITTING	
10	700723268	1	NYLON BUSHING	
11	700724137	1	YOKE SHAFT	
12	700724140	1	OUTER GUARD [A]	
13	700707960	1	DECAL	
14	700728658	1	WARNING DECAL, CE	
15	700721794	1	YOKE	

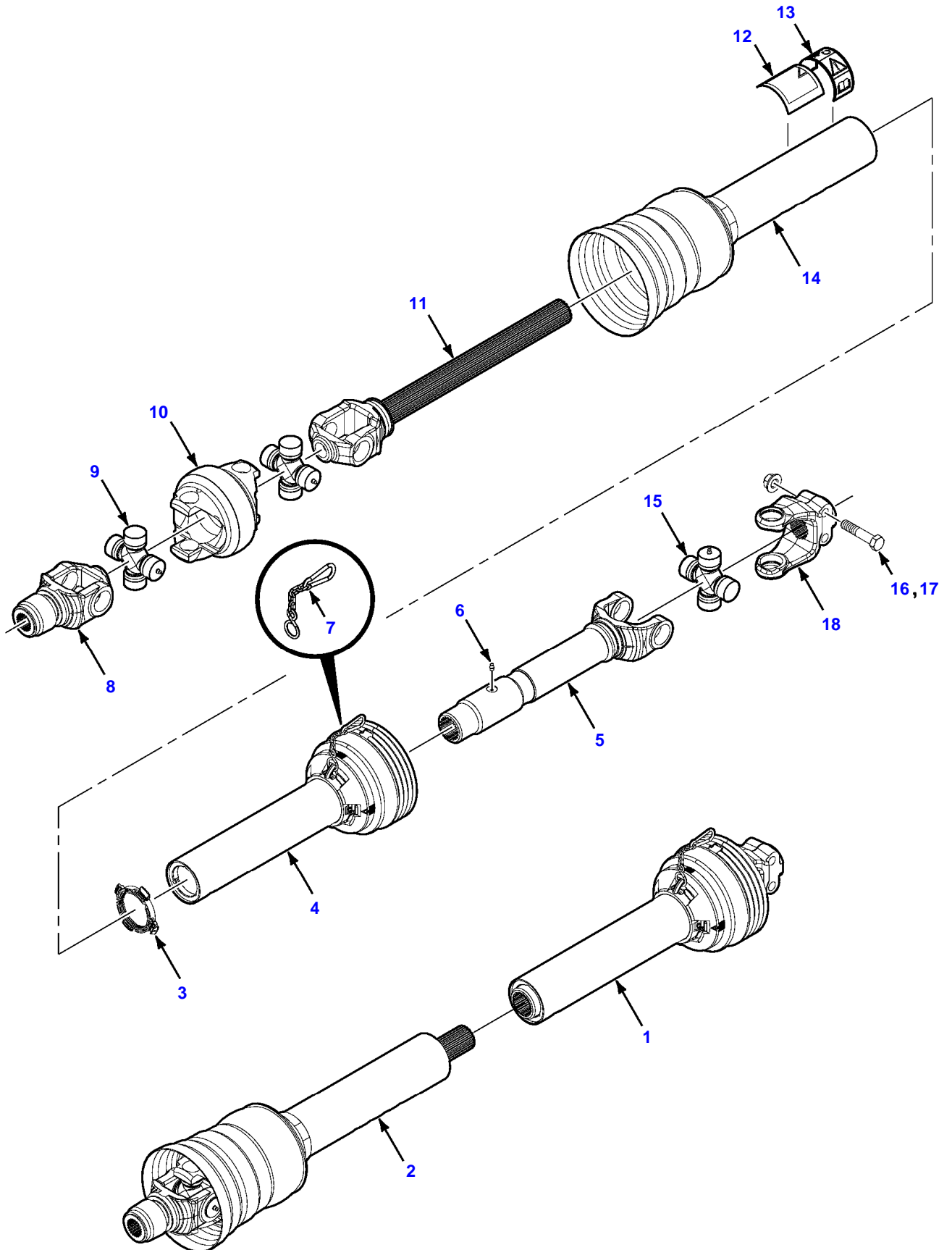
[A] THE APPROPRIATE SAFETY DECALS MUST BE ORDERED AND FITTED TO THIS PART

870 LARGE RECTANGULAR BALER PRIMARY DRIVE SHAFT - CE



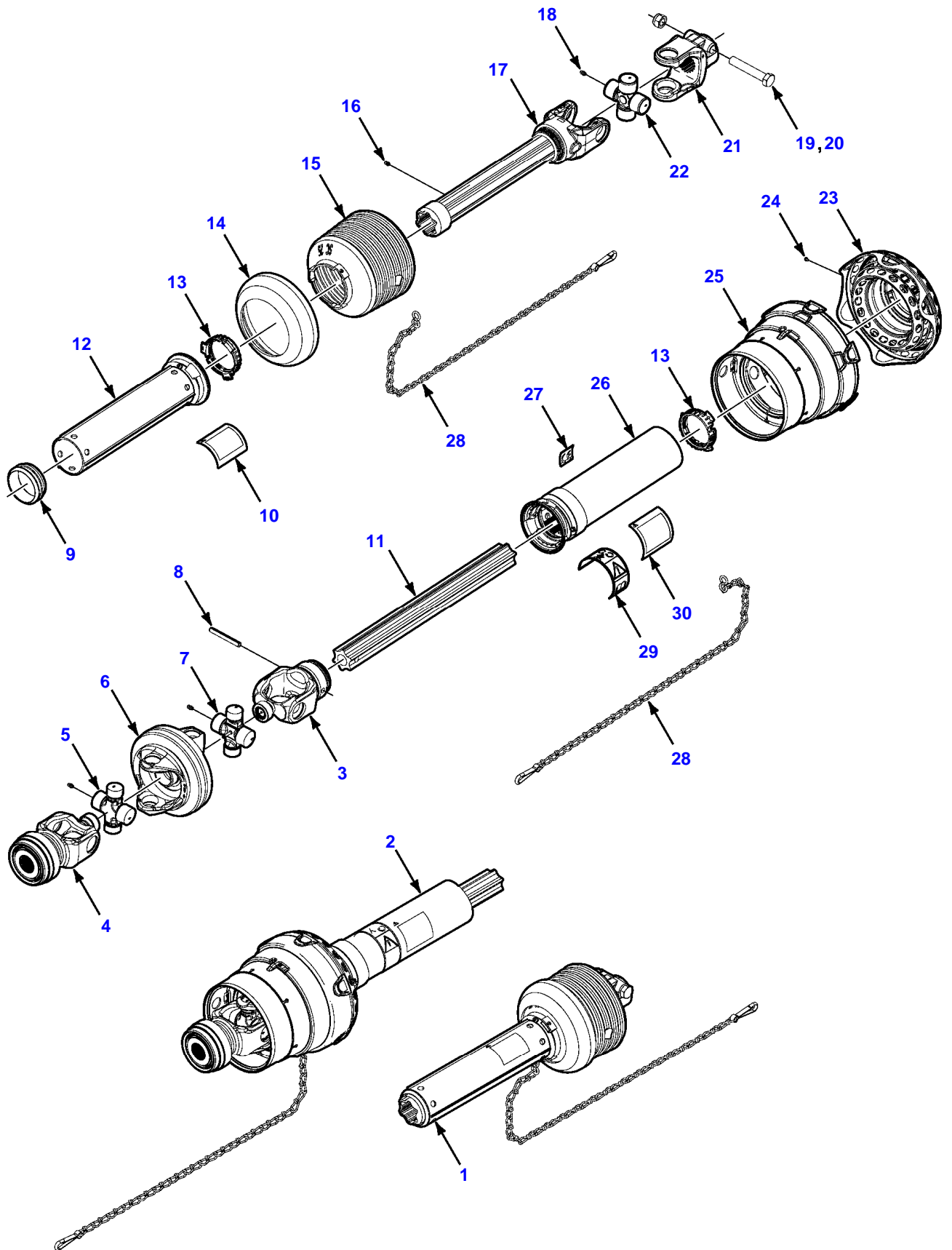
Item	Part Number	Qty	Description Comments	Technical Specification
			1-3/8 INCH X 21 SPLINE S/N HUA3101 - AHB01100	
1	700728942	1	DRIVELINE	
2	700728940	1	DRIVELINE	
3	700723268	2	NYLON BUSHING	
4	700728950	1	INNER GUARD	
5	700728951	1	YOKE	
			[A]	
6	77016	1	GREASE FITTING	1/4-28 IN
7	700729055	2	CHAIN KIT	
8	700728943	1	YOKE	
	700720122	1	AUTO LOCK REPAIR KIT	
9	700728945	2	CROSS AND BEARING KIT	
	77016	1	GREASE FITTING	1/4-28 IN
10	700728946	1	HOUSING	
11	700728947	1	YOKE SHAFT	
12	700707960	1	DECAL	
13	700728658	1	WARNING DECAL, CE	
14	700728948	1	OUTER GUARD	
			[A]	
15	700724136	1	CROSS AND BEARING KIT	
	Z77016	1	GREASE FITTING	1/4-28
16	700708270	2	HEXAGON HEAD BOLT	5/8"-11 X 3
17	700711198	2	FLANGE LOCKNUT	5/8/-11
18	700721794	1	YOKE	
			[A] THE APPROPRIATE SAFETY DECALS MUST BE ORDERED AND FITTED TO THIS PART	

870 LARGE RECTANGULAR BALER PRIMARY DRIVE SHAFT - CE



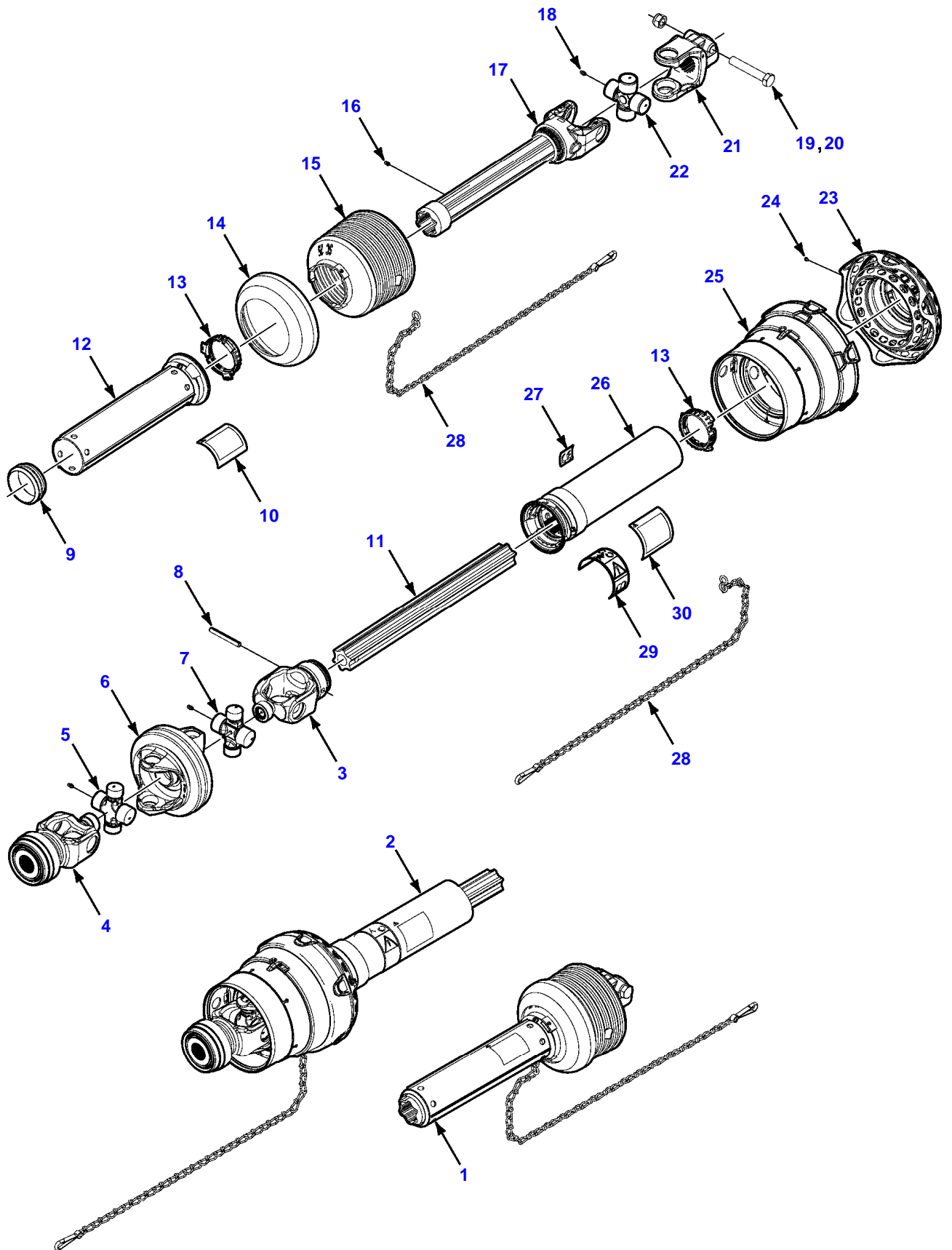
Item	Part Number	Qty	Description Comments	Technical Specification
			1-3/4 INCH X 20 SPLINE S/N HUA3101 - AHB01100	
1	700728942	1	DRIVELINE	
2	700728941	1	DRIVELINE	
3	700723268	2	NYLON BUSHING	
4	700728950	1	INNER GUARD	
5	700728951	1	YOKE	
			[A]	
6	77016	1	GREASE FITTING	1/4-28 IN
7	700729055	2	CHAIN KIT	
8	700728944	1	YOKE	TYPE 3
	700711425	1	REPAIR KIT	20 SPLINE 1000RPM
9	700728945	2	CROSS AND BEARING KIT	
	77016	1	GREASE FITTING	1/4-28 IN
10	700728946	1	HOUSING	
11	700728947	1	YOKE SHAFT	
12	700707960	1	DECAL	
13	700728658	1	WARNING DECAL, CE	
14	700728948	1	OUTER GUARD	
			[A]	
15	700724136	1	CROSS AND BEARING KIT	
	Z77016	1	GREASE FITTING	1/4-28
16	700708270	2	HEXAGON HEAD BOLT	5/8"-11 X 3
17	700711198	2	FLANGE LOCKNUT	5/8/-11
18	700721794	1	YOKE	
			[A] THE APPROPRIATE SAFETY DECALS MUST BE ORDERED AND FITTED TO THIS PART	

870 LARGE RECTANGULAR BALER PRIMARY DRIVE SHAFT - CE



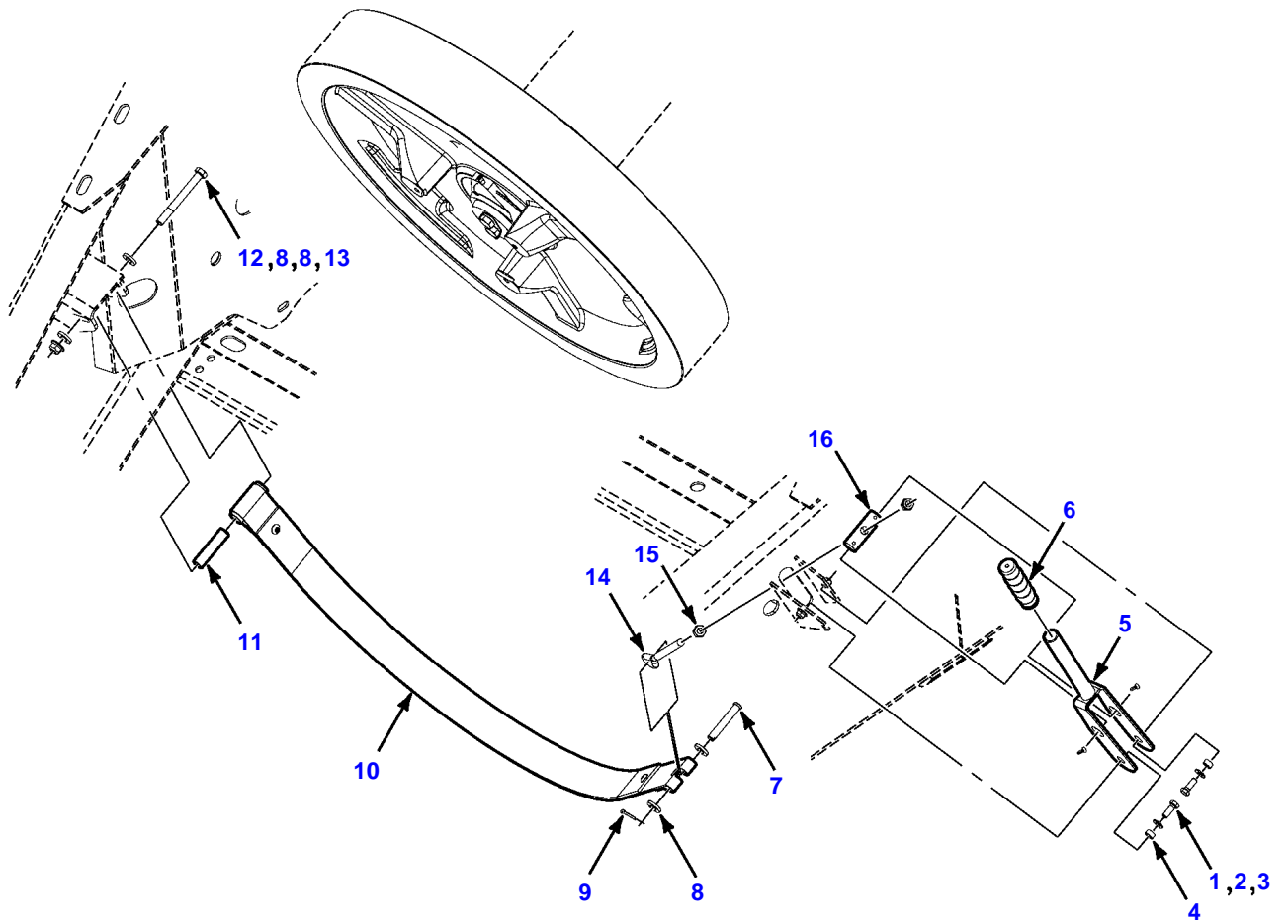
Item	Part Number	Qty	Description Comments	Technical Specification
			1-3/8 INCH X 21 SPLINE S/N AHB01101 AND LATER	
1	700737113	1	UNIVERSAL JOINT	
2	700735106	1	DRIVELINE	
3	700735112	1	YOKE	
4	700735109	1	YOKE	1-3/8 21 SPLINE
	700735126	1	REPAIR KIT	LOCK
5	700735113	1	CROSS AND BEARING KIT	CROSS AND BEARING
6	700735110	1	DOUBLE YOKE	
7	700735111	1	CROSS AND BEARING KIT	CROSS AND BEARING
8	763847	1	SPRING PIN	10 X 75 MM
9	700735123	1	BEARING BRACKET	
10	700708583	1	DANGER DECAL, SHIELD MISSING	DANGER
11	700735114	1	INNER PROFILE SHAFT	
12	700737117	1	TUBE [A]	
13	8800633	2	BEARING RING	SC25
14	700735124	1	REINFORCING COLLAR	
15	700735122	1	CONE GUARD	
16	700713262	1	GREASE FITTING	1/4-28
17	700737115	1	YOKE	IB (S5G)
18	700735125	3	GREASE FITTING	M6 X 1 IN
19	339182X1	1	HEX CAP SCREW	M16-2.0 X 90-ISO 8.8-ZN
20	1442739X1	1	LOCKNUT	M16-ISO 8-ZN
21	700737116	1	YOKE	
22	700735116	1	CROSS AND BEARING KIT	CROSS AND BEARING
23	700735121	1	GUARD CONE AND FLEX NET	
24	700714614	10	HEXAGON FLANGE HEAD BOLT	
25	700735120	1	CV GUARD/BEARING	
26	700735117	1	GUARD TUBE AND CAP [A]	
27	700735129	1	DECAL, CE MARK	
28	71382485	2	SAFETY CHAIN	
29	700728658	1	WARNING DECAL, CE	
30	700707960	1	DECAL	
			[A] THE APPROPRIATE SAFETY DECALS MUST BE ORDERED AND FITTED TO THIS PART	

870 LARGE RECTANGULAR BALER PRIMARY DRIVE SHAFT - CE



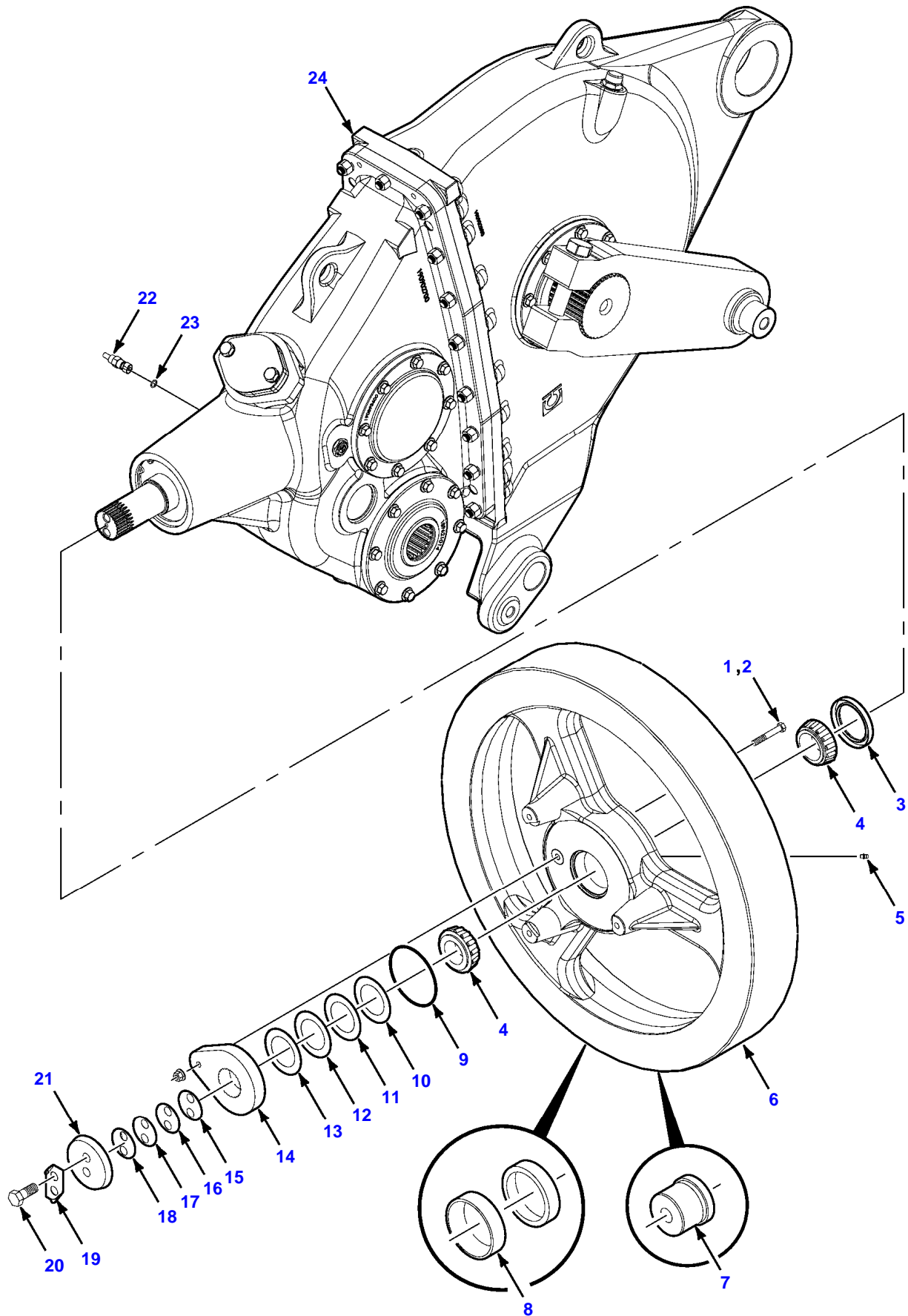
Item	Part Number	Qty	Description Comments	Technical Specification
			1-3/4 INCH X 20 SPLINE S/N AHB01101 AND LATER	
1	700737113	1	UNIVERSAL JOINT	
2	700735108	1	DRIVELINE	
3	700735112	1	YOKE	
4	700735127	1	YOKE	1-3/4 20 SPLINE
	700735128	1	REPAIR KIT	LOCK
5	700735113	1	CROSS AND BEARING KIT	CROSS AND BEARING
6	700735110	1	DOUBLE YOKE	
7	700735111	1	CROSS AND BEARING KIT	CROSS AND BEARING
8	763847	1	SPRING PIN	10 X 75 MM
9	700735123	1	BEARING BRACKET	
10	700708583	1	DANGER DECAL, SHIELD MISSING	DANGER
11	700735114	1	INNER PROFILE SHAFT	
12	700737117	1	TUBE [A]	
13	8800633	2	BEARING RING	SC25
14	700735124	1	REINFORCING COLLAR	
15	700735122	1	CONE GUARD	
16	700713262	1	GREASE FITTING	1/4-28
17	700737115	1	YOKE	IB (S5G)
18	700735125	3	GREASE FITTING	M6 X 1 IN
19	339182X1	1	HEX CAP SCREW	M16-2.0 X 90-ISO 8.8-ZN
20	1442739X1	1	LOCKNUT	M16-ISO 8-ZN
21	700737116	1	YOKE	
22	700735116	1	CROSS AND BEARING KIT	CROSS AND BEARING
23	700735121	1	GUARD CONE AND FLEX NET	
24	700714614	10	HEXAGON FLANGE HEAD BOLT	
25	700735120	1	CV GUARD/BEARING	
26	700735117	1	GUARD TUBE AND CAP [A]	
27	700735129	1	DECAL, CE MARK	
28	71382485	2	SAFETY CHAIN	
29	700728658	1	WARNING DECAL, CE	
30	700707960	1	DECAL	
			[A] THE APPROPRIATE SAFETY DECALS MUST BE ORDERED AND FITTED TO THIS PART	

870 LARGE RECTANGULAR BALER BRAKE - FLYWHEEL



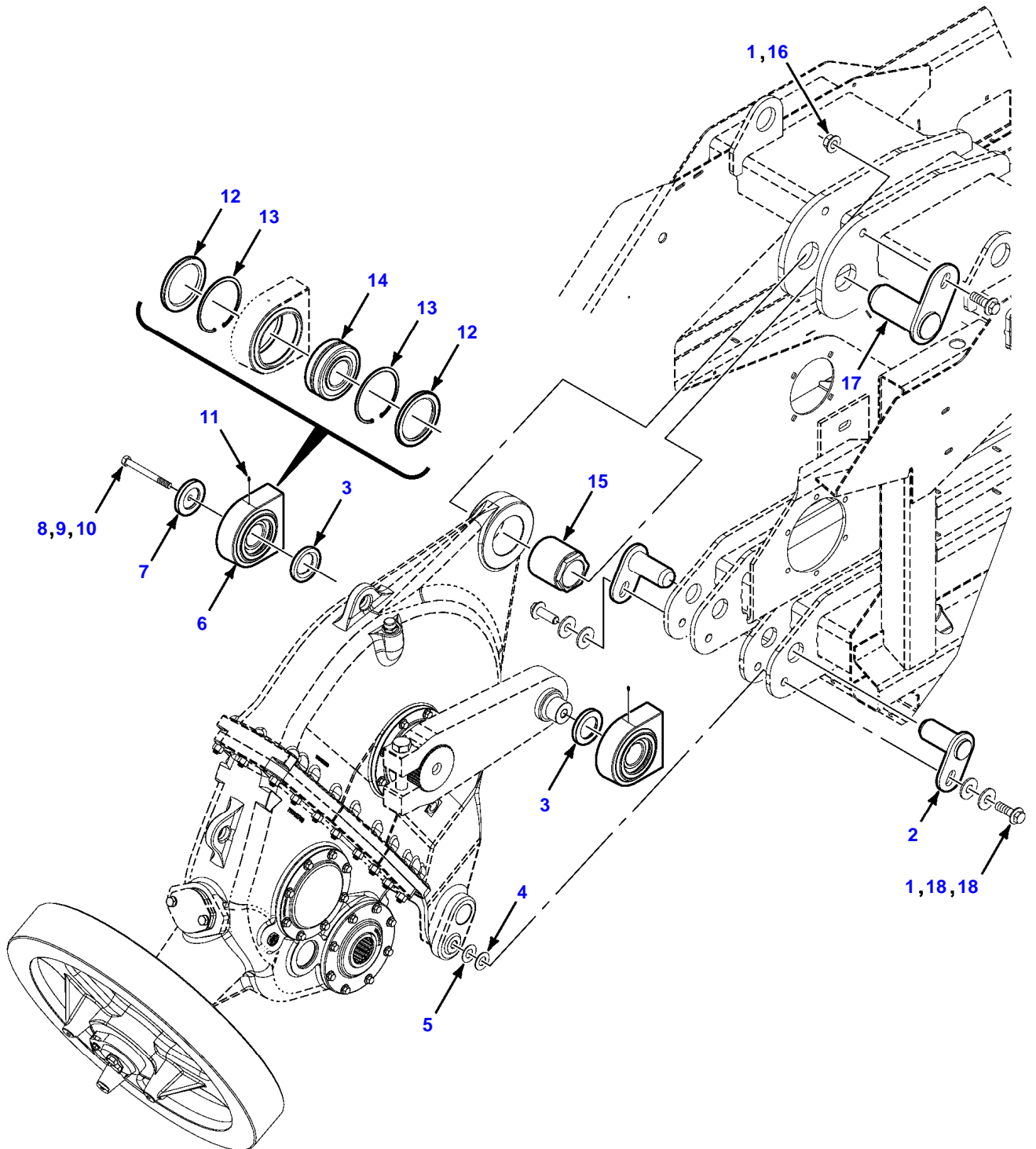
Item	Part Number	Qty	Description Comments	Technical Specification
1	703249	2	HEXAGON HEAD BOLT	3/8-16 X 1.00 GRADE 5
2	705533	2	FLAT WASHER	3/8 INCH
3	704734	2	FLANGE LOCKNUT	3/8-16
4	6489231	2	SPACER	10.34MM ID X 15.88MM OD X 8MM
5	700113054	1	HANDLE	
6	27342	1	HANDLE	
7	63883	1	CLIP	1/2 X 3
8	705541	4	FLAT WASHER	1/2
9	62174	1	PIN	5/32 X 1
10	700123832	1	BRAKE	
11	6524003	1	SPACER	
12	703223	1	HEXAGON HEAD BOLT	1/2"-13 X 4-1/2
13	704742	1	FLANGE LOCKNUT	1/2-13
14	766667	1	EYEBOLT	1/2-13 X 10"
15	7704752	2	HEX NUT	1/2-13
16	700113057	1	BRAKE PIN	

870 LARGE RECTANGULAR BALER MOUNTING - FLYWHEEL



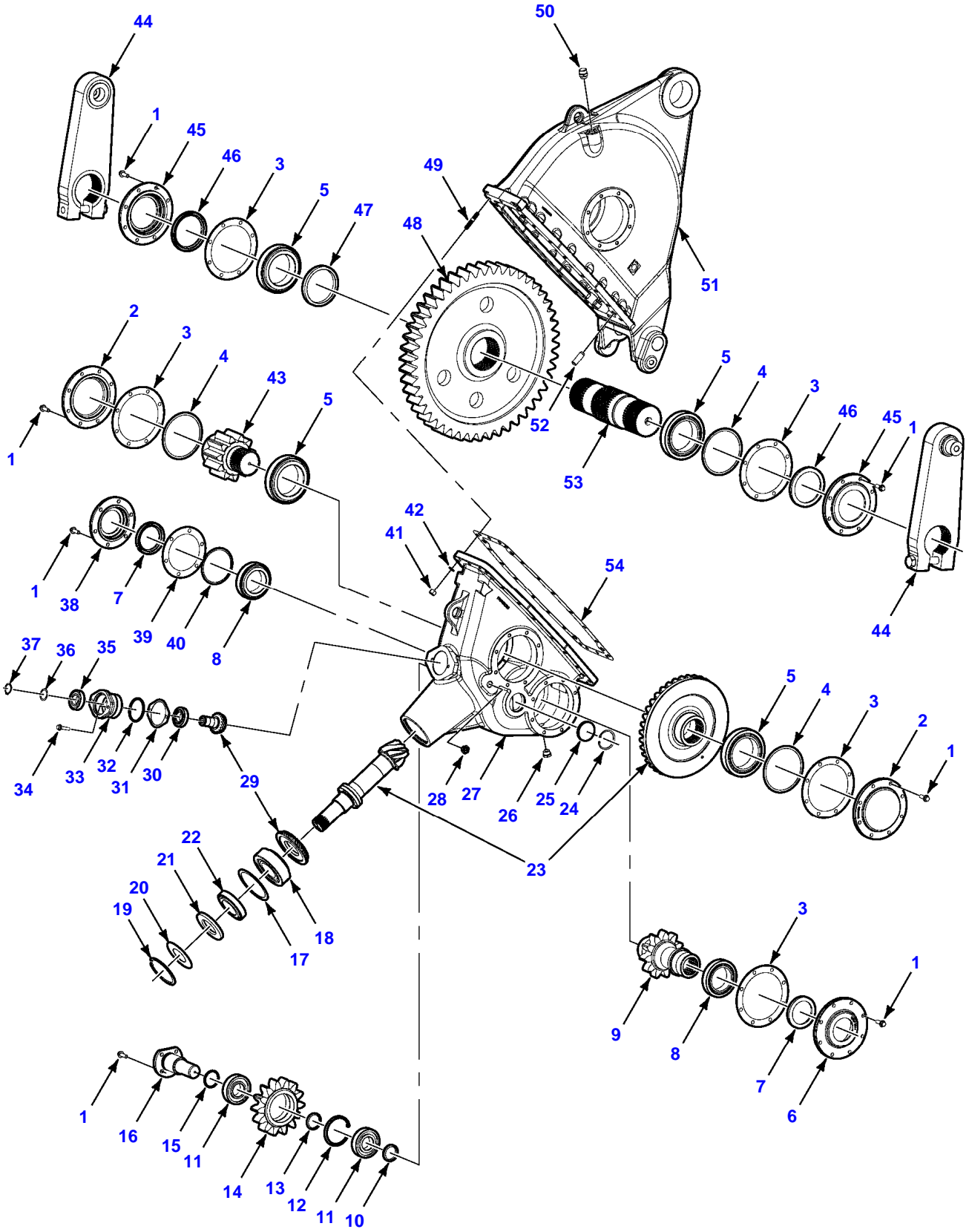
Item	Part Number	Qty	Description Comments	Technical Specification
1	7701899	1	HEXAGON HEAD BOLT	3/8-16 X 2-1/2
2	704734	1	FLANGE LOCKNUT	3/8-16
3	700710382	1	OIL SEAL	
4	714634	2	TAPERED BEARING	
5	77016	1	GREASE FITTING	1/4-28 IN
6	700123112	1	FLYWHEEL	
	714626	2	BEARING CUP	
	6855555	1	SHEAR BUSHING	
7	6855555	1	SHEAR BUSHING	
8	714626	2	BEARING CUP	
9	700706050	1	O-RING	4-1/4" ID
10	700710365	-	FLYWHEEL SHIM	0.08/0.003
11	700710366	-	FLYWHEEL SHIM	0.13/0.005
12	700710367	-	FLYWHEEL SHIM	0.25/0.010
13	700710369	-	FLYWHEEL SHIM	0.51/0.020
14	700143208	1	SHEAR HUB	
	700728938	1	PLUNGER SPRING	
15	700710394	-	FLYWHEEL HEX SHIM	0.08/0.003
16	700710395	-	FLYWHEEL HEX SHIM	0.13/0.005
17	700710396	-	FLYWHEEL HEX SHIM	0.25/0.010
18	700710397	-	FLYWHEEL HEX SHIM	0.51/0.020
19	700113045	1	LOCKING PLATE	
20	700708355	2	HEXAGON HEAD BOLT	M16 X 40 (2.0)
21	700113044	1	RETAINER CAP	
22	71393718	1	OIL TEMPERATURE SENSOR	
23	7040330	1	O-RING	0.414 ID
24	700723442	1	GEARBOX	

870 LARGE RECTANGULAR BALER MOUNTING - GEARBOX



Item	Part Number	Qty	Description Comments	Technical Specification
1	3009256X1	3	CARRIAGE BOLT	M20X60-ISO 10.9-ZN
2	700146842	2	GEARBOX PIN	
3	700123119	2	BEARING SPACER	
4	852608	-	WIDE RIM BUSHING	7/8 X 14, GA
5	700730827	2	WIDE RIM BUSHING	7/8 X 1-3/4 X 18 GA
6	700123120	2	BEARING	
	8744054	2	DUST SEAL	
	8052326	2	RETAINING RING	
	8051005	1	ROLLER BEARING	
7	700123122	1	FLAT WASHER	
8	703660	1	HEXAGON HEAD BOLT	3/4-10 X 5.00
9	705566	1	FLAT WASHER	3/4 INCH
10	700710072	1	LOCKNUT	3/4-10
11	77016	2	GREASE FITTING	1/4-28 IN
12	8744054	2	DUST SEAL	
13	8052326	2	RETAINING RING	
14	8051005	1	ROLLER BEARING	
15	700141086	1	ECCENTRIC GEARBOX	
16	3019128X1	1	NUT	M20-ISO 10-ZN
17	700146152	1	GEARBOX PIN	
18	700711166	4	FLAT WASHER	3/4"

870 LARGE RECTANGULAR BALER GEARBOX ASSEMBLY



Thank you so much for reading.
Please click the “Buy Now!”
button below to download the
complete manual.



After you pay.

You can download the most
perfect and complete manual in
the world immediately.

Our support email:

ebooklibonline@outlook.com