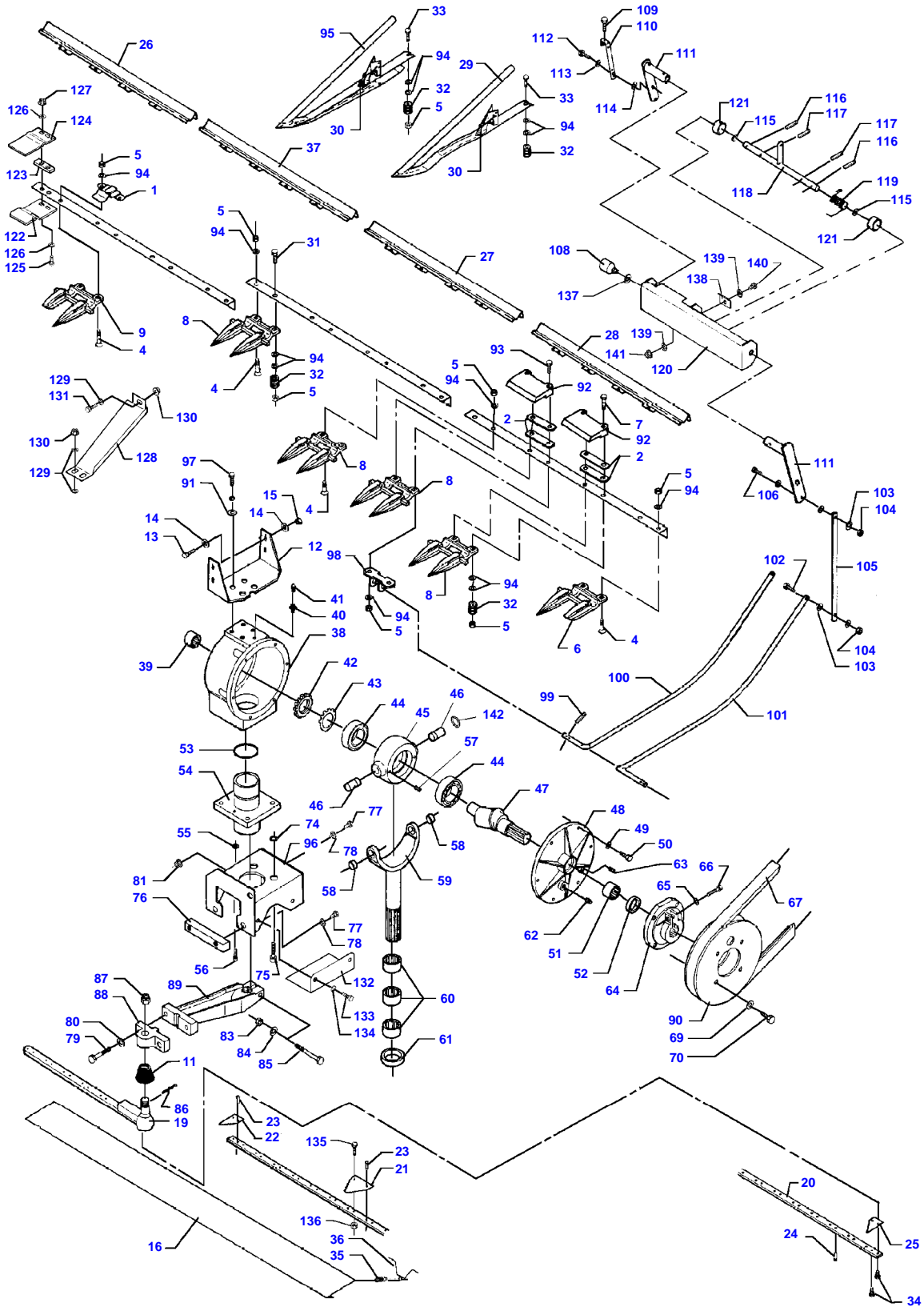


Page Title	Page Number
Knives And Fingers - Freeflow - 20-22'	001-0001
Table Auger Right Hand - Freeflow - 20-22'	001-0002
Table Auger Left Hand - Freeflow - 20-22'	001-0003
Guarding And Transmissions - Freeflow - 20-22'	001-0004
Table Housing And Guarding - Freeflow - 20-22'	001-0005
Knives And Fingers - Powerflow - 20-22'	001-0006
Table Auger Right Hand - Powerflow - 20-22'	001-0007
Tabel Auger Left Hand - Powerflow - 20-22'	001-0008
Guarding And Transmissions - Powerflow - 20-22'	001-0009
Table Housing And Guarding - Powerflow - 20-22'	001-0010
Knives And Fingers - Powerflow - 25'	001-0011
Feeder Drum Right Hand - Powerflow- - 25'	001-0012
Feeder Drum Left Hand - Powerflow - 25'	001-0013
Guarding And Transmissions - Powerflow - 22' - From 939567 + 25'	001-0014
Table Housing And Guarding - Powerflow - 25'	001-0015
Powerflow Band - Left Hand - 20-22'	001-0016
Powerflow Band - Right Hand - 20-22'	001-0017
Powerflow Band - Left Hand - 25'	001-0018
Powerflow Band - Right Hand - 25'	001-0019
Oilseed Rape Auger	001-0020
Straw Dividers	001-0021
Table Trailer - From No 0000500	001-0022
Table Trailer - UP TO NO. 7374033	001-0023
Lightening Bracket - UP TO NO. 7374033	001-0024
Electric Vertical Knife	001-0025
Decals	001-0026
Multi-Coupling - From 59116	001-0027

8300 / 8350 COMBINES - --->| 60521 - 1637414  
D-ZAZA-006-B



D-ZAZA-006-B

## Knives And Fingers - Freeflow - 20-22'

Item	Part Number	Qty	Description	Comments
1	D28283934	19	Clip	20' - 6,16M
	D28283934	21	Clip	22' - 6,77M
2	D28230292	4	Shim	
4	D40551500	X	Bolt	
5	D41010800	X	Nut	
6	D44104700	1	Finger	Left Hand
7	D40067600	X	Screw	
8	D44104500	39	Finger	20' - 6,16M
	D44104500	43	Finger	22' - 6,77M
9	D44104600	1	Finger	Right Hand
11	D44120500	1	Cap	
12	D28283104	1	Support	Up to Serial or Engine Number 939559
13	D40405100	2	Hex. Sock. Screw	
14	D20400414	4	Washer	
15	394367X1	2	Locknut	
16	D28230830	2	Guard	22' - 6,77M
	D28230831	1	Guard	20' - 22' 6,16M - 6,77M
	D28200314	1	Guard	20' - 6,16M
	D28200738	1	Guard	20' - 6,16M
19	D28283010	2	Blade	20' - 6,16M
	D28283865	2	Blade	22' - 6,77M
	D28283011	2	Knife Head	
20	D28281492	2	Knife Back	20' - 6,16M
	D28281493	2	Knife Back	22' - 6,77M
21	D44103700	X	Section	[A]
22	D44103800	2	Half Section	
23	D41306100	X	Rivet	[A]
24	D41306200	X	Rivet	[A]
25	D44104000	2	Half Section	Left Hand
26	D18283701	1	Stone Trap	Right Hand
27	D18283705	1	Stone Trap	22' - 6,77M
	D18283706	1	Stone Trap	20' - 6,16M
28	D18283702	1	Stone Trap	
29	D49040900	X	Ear Lifter	
30	D49040400	X	Spring	
31	D40426000	X	Hex. Sock. Screw	
32	D49040600	X	Roller	
33	D40426000	X	Hex. Sock. Screw	
34	D40402400	2	Hex. Sock. Screw	
35	D26500317	2	Spring	(16)
36	D28230841	2	Spring	(16)
37	D18283704	1	Stone Trap	22' - 6,77M
38	D28281324	1	Wobble Drive	[B] Cpl.
	D44127800	1	Box	[B] (38)
	D28281324	1	Wobble Drive	[C] Cpl.
	D44126500	1	Box	[C]
39	D44128800	1	Bearing Needle	(38)
40	D44129400	1	Connector	(38)
41	D46116500	1	Valve.	(38)
42	D44129100	1	Nut	(38)
43	D44129200	1	Washer	(38)
44	D41668400	2	Bearing Roller	(38)
45	D44127900	1	Housing	[B] (38)
	D44126400	1	Housing	[C] (38)
46	D44128000	1	Journal	[B] (38)
	D44125900	1	Journal	[C] (38)
47	D44129300	1	Shaft	(38)
48	D44128200	1	Cover	[B] (38)

## Knives And Fingers - Freeflow - 20-22'

Item	Part Number	Qty	Description	Comments
	D44126300	1	Cover	[C] (38)
49	D41102100	6	Washer	(38)
50	D40404900	6	Hex. Sock. Screw	(38)
51	D41669700	1	Bearing Needle	(38)
52	D45412000	1	Gasket	(38)
53	D45481500	1	O Ring	(38)
54	D44128300	1	Bearing Carrier	[B] (38)
	D44126200	1	Bearing Carrier	[C] (38)
55	D41102100	2	Washer	(38)
56	D40697200	2	Screw	[B] (38)
	D40697700	2	Screw	[C] (38)
57	D40639600	2	Pin	[B] (38)
58	D44128400	2	Bush	[B] (38)
	D44126100	2	Bush	[C] (38)
59	D44128500	1	Yoke	[B] (38)
	D44126000	1	Yoke	[C] (38)
60	D41669800	3	Bearing Needle	(38)
61	D45409500	1	Gasket	(38)
62	D44128600	1	Plug	(38)
63	D45236200	1	Plug	(38)
64	D44127100	1	Hub	(38)
65	D41100900	1	Spring Washer	(38)
66	D40694000	1	Screw	(38)
67	<b>D41985600</b>	1	Belt	See Page - Reference Number 001-0004/18
69	D20400426	4	Washer	
70	D40410900	4	Hex. Sock. Screw	
74	D20400522	4	Spacer	
75	D40465400	4	Screw	
76	D28283103	1	Clamp	
77	D40416500	5	Hex. Sock. Screw	
78	D20400461	5	Washer	
79	D40698400	2	Screw	
80	D20400438	2	Washer	
81	D41087900	2	Locknut	
83	D41087700	1	Locknut	
84	D20400428	1	Washer	
85	D40429400	1	Hex. Sock. Screw	
86	D41409100	1	Split Pin	
87	<b>D41054300</b>	1	Nut	
88	D44126900	1	Flange	
89	D44127000	1	Swivel Arm	
90	D44127200	1	Pulley	
91	D28280986	4	Washer	
92	<b>D28260362</b>	X	Clip	
93	D40067200	X	Screw	
94	D20400419	X	Washer	
95	D49040300	X	Ear Lifter	
96	D28283109	1	Support	
97	D40405100	4	Hex. Sock. Screw	
98	D28284356	4	Fitting	[A]
99	D42611800	8	Pin	[A]
100	D28284257	2	Sensor	[A]
101	D28284258	2	Sensor	[A]
102	D40405300	4	Screw	[A]
103	D20400506	20	Washer	[A]
104	394367X1	8	Locknut	[A]
105	D28284223	4	Link	[A]

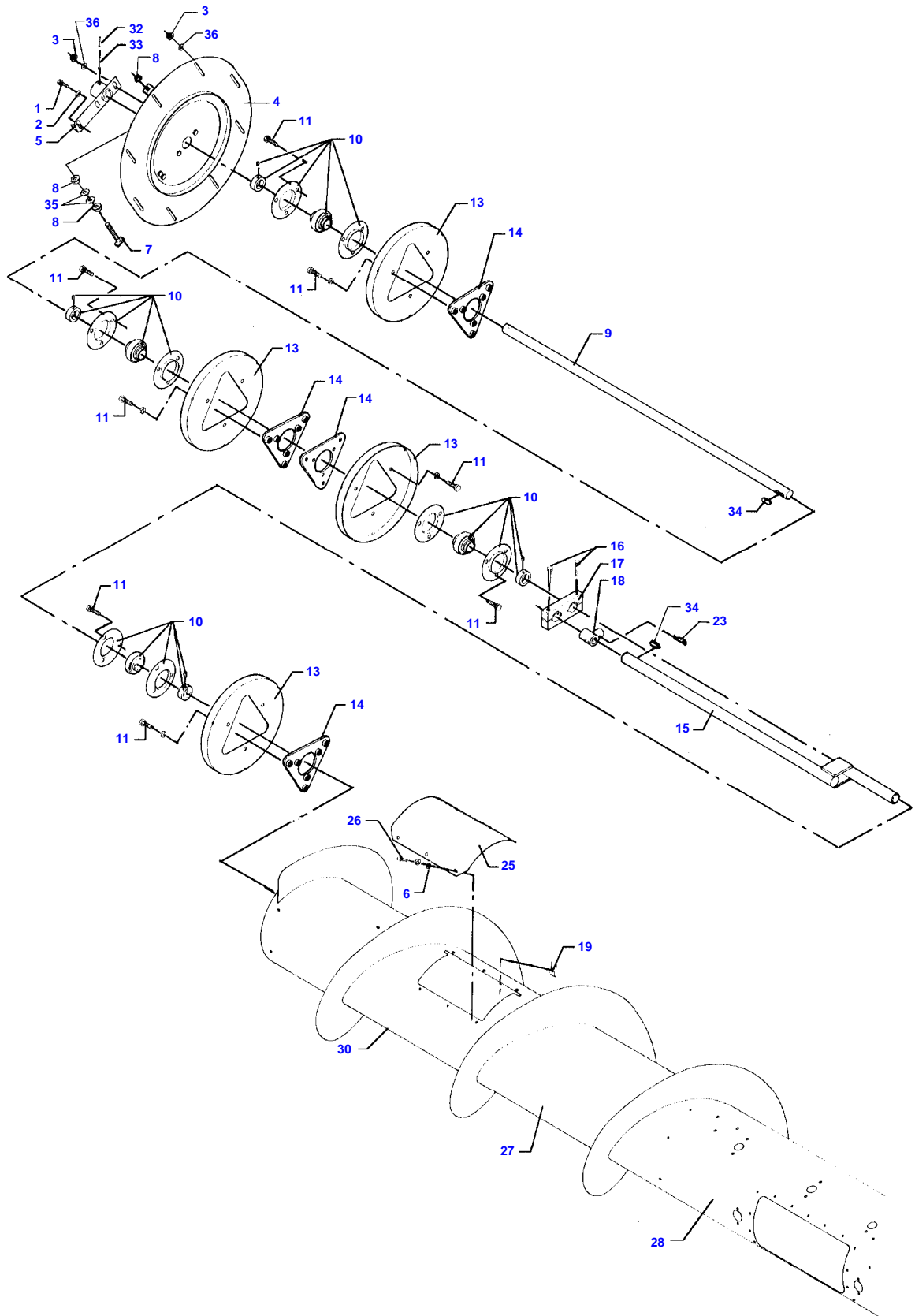
Item	Part Number	Qty	Description	Comments
106	D40423600	4	Hex. Sock. Screw	[A]
108	<b>D28780523</b>	2	Potentiometer	[A]
109	D40464900	2	Screw	[A]
110	D28780845	2	Rod	[A]
111	D28284225	4	Lever	AUTO LEVEL
	D28284234	4	Lever	[A]
112	D40402700	2	Hex. Sock. Screw	[A]
113	D20400404	2	Washer	[A]
114	1441462X1	2	Locknut	[A]
115	D28200551	4	Washer	[A]
116	D42611900	8	Pin	[A]
117	D42612300	4	Pin	[A]
118	D28284232	2	Shaft	[A]
119	D28284389	2	Spring	[A]
120	D28284229	2	Support	AUTO LEVEL
121	D28284456	4	Bush	[A]
122	D28281576	1	Plate	
123	D28281575	1	Shim	
124	D28281574	1	Plate	
125	D40423700	2	Hex. Sock. Screw	
126	D20400506	2	Washer	
127	394367X1	2	Locknut	
128	D28281572	1	Guard	
129	D20400506	3	Washer	
130	D41017500	3	Locknut	
131	D40405000	1	Hex. Sock. Screw	
132	D28281706	1	Guard	Replace and repair. Old interchangeable with new D58281706
133	D40404700	2	Hex. Sock. Screw	
134	D20400506	2	Washer	
135	D40402400	X	Hex. Sock. Screw	Alternative D41306100
136	1441462X1	X	Locknut	Alternative D41306100 Replace and repair. Old not interchangeable with new D41087400
137	D20400441	1	Washer	
138	D28284268	2	Stop	
139	D20400416	4	Washer	
140	D40404900	2	Hex. Sock. Screw	
141	394367X1	2	Locknut	
142	D45483000	1	O Ring	[C]

**FOOTNOTE [A]** OPTIONAL EQUIPMENT AUTO LEVEL

**FOOTNOTE [B]** USED ONLY IN KNIFE DRIVES WITH 6 HOLES IN BEARING HOUSING BOTTOM

**FOOTNOTE [C]** USED ONLY IN KNIFE DRIVES WITH 8HOLES IN BEARING HOUSING BOTTOM AND BULGES SIDES

8300 / 8350 COMBINES - --->| 60521 - 1637414  
D-ZAZB-006-A

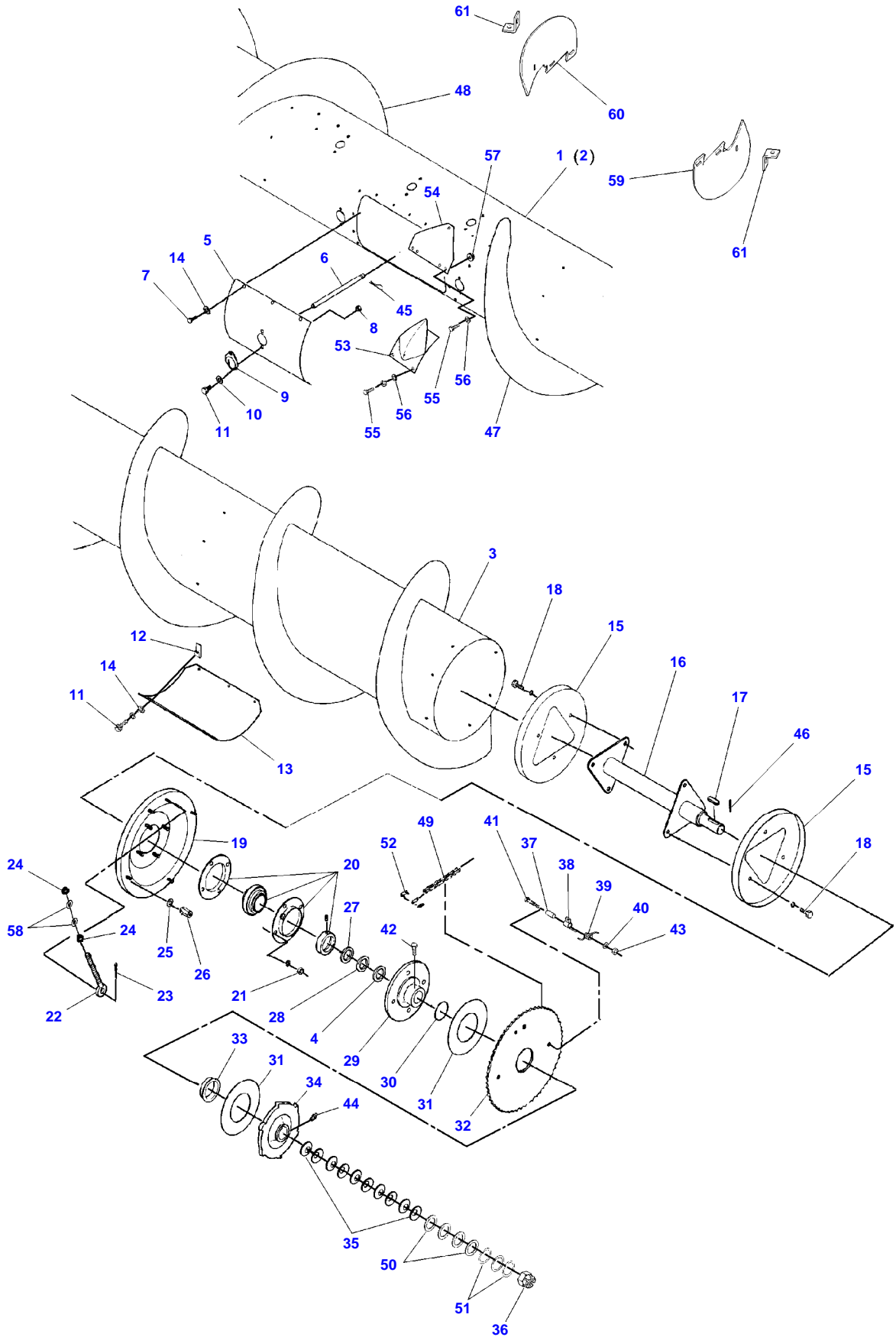


D-ZAZB-006-A

## Table Auger Right Hand - Freeflow - 20-22'

Item	Part Number	Qty	Description	Comments
1	D40404700	1	Hex. Sock. Screw	
2	D20400506	1	Washer	
3	D41017500	10	Locknut	
4	D18280040	1	Plate	
5	D28283029	1	Adjuster	
6	D20400470	6	Washer	
7	D28211023	1	Bolt	
8	D41087600	2	Locknut	
9	D28283037	1	Shaft	20' - 6,16M Up to Serial or Engine Number 940147
	D28283871	1	Shaft	22' - 6,77M Up to Serial or Engine Number 940147
	D28284655	1	Shaft	20' - 6,16M From Serial or Engine Number 940148
	D28284661	1	Crankshaft	22' - 6,77M From Serial or Engine Number 940148
10	D41707800	4	Bearing	
11	D40407900	24	Hex. Sock. Screw	
13	D28280014	4	Plate	
14	D28283847	4	Bearing Plate	
15	D28285977	1	Crankshaft	
16	D40426100	2	Hex. Sock. Screw	
17	D28283039	1	Arm	
18	<b>D28251831</b>	15	Bearing Carrier	
19	D43428200	6	Nut	
23	D28283853	15	Hair Pin	
25	D58283070	1	Cover	Up to Serial or Engine Number 939559
	D18285312	1	Cover	From Serial or Engine Number 939560
26	D40402600	6	Hex. Sock. Screw	
27	D58283125	1	Table Auger	20' - 6,16M Up to Serial or Engine Number 940147
	D58283870	1	Table Auger	22' - 6,77M Up to Serial or Engine Number 940147
	D18285991	1	Table Auger	20' - 6,16M From Serial or Engine Number 940148
	D18285992	1	Table Auger	22' - 6,77M From Serial or Engine Number 940148
28	D28283012	1	Body	
30	D28283034	1	Body	Right Hand 20' - 6,16M Up to Serial or Engine Number 940147
	D28286012	1	Body	Right Hand 20' - 6,16M From Serial or Engine Number 940148
	D28283876	1	Body	Right Hand 22' - 6,77M Up to Serial or Engine Number 940147
	D28286013	1	Body	Right Hand 22' - 6,77M From Serial or Engine Number 940148
32	D42616400	1	Pin	
33	D42625300	1	Pin	
34	D43104700	2	Key	
35	D20400471	2	Washer	
36	D20400414	X	Washer	

8300 / 8350 COMBINES - --->| 60521 - 1637414  
D-ZAZC-006-B



D-ZAZC-006-B



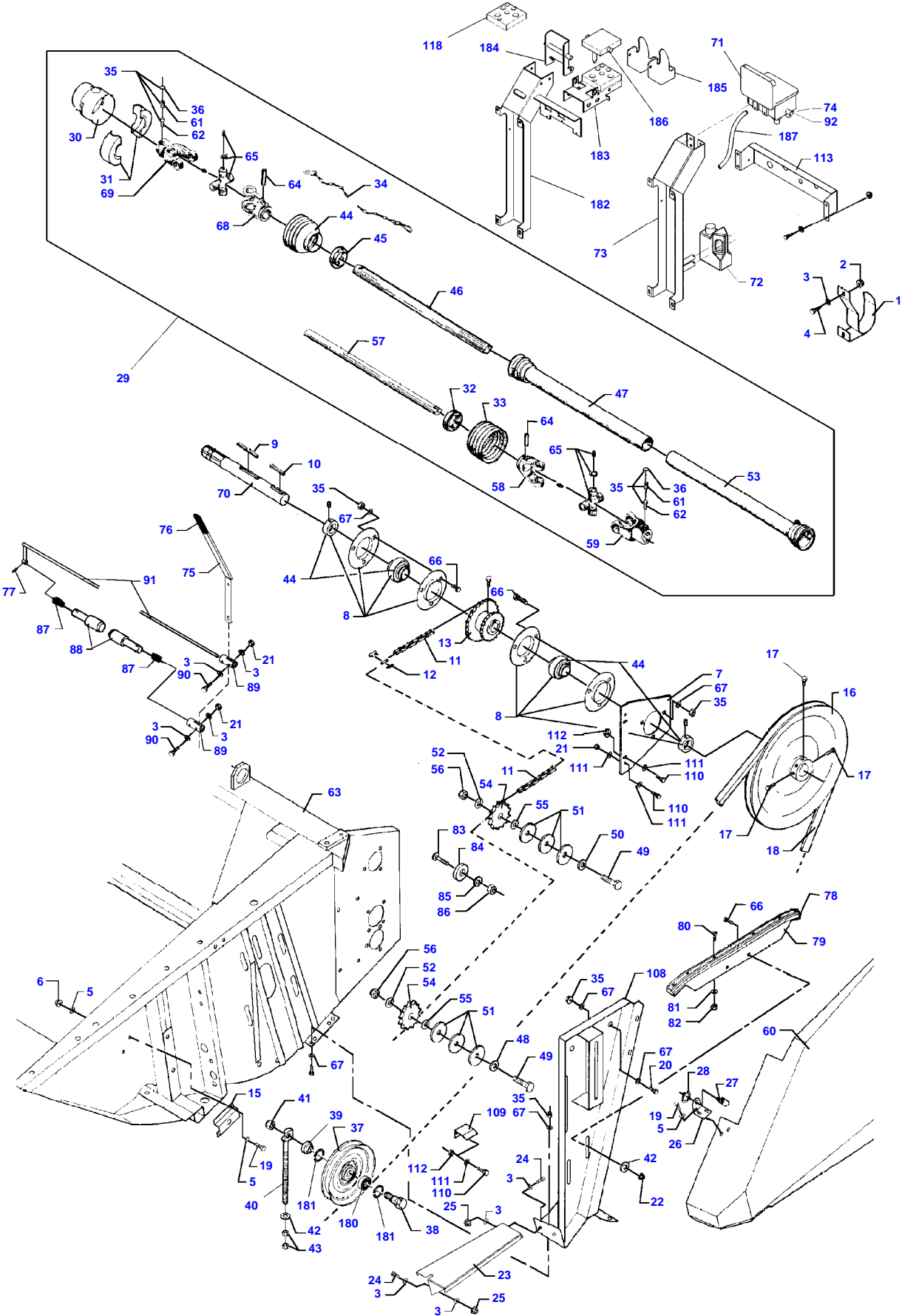
## Table Auger Left Hand - Freeflow - 20-22'

Item	Part Number	Qty	Description	Comments
1	D58283125	1	Table Auger	20' - 6,16M Up to Serial or Engine Number 940147
	D58283870	1	Table Auger	22' - 6,77M Up to Serial or Engine Number 940147
	D18285991	1	Table Auger	20' - 6,16M From Serial or Engine Number 940148
	D18285992	1	Table Auger	22' - 6,77M From Serial or Engine Number 940148
2	D28283012	1	Body	
3	D28286006	1	Body	Left Hand 20' - 6,16M
	D28286004	1	Body	Left Hand 18' - 5,56M
	D28286000	1	Body	Left Hand 16' - 4,95M
	D28283875	1	Body	Left Hand 22' - 6,77M
4	D41653500	X	Washer	OPTIONAL
5	D18283078	1	Cover	
6	<b>D28283815</b>	15	Finger	
7	D40402400	X	Hex. Sock. Screw	
8	1441462X1	X	Locknut	Replace and repair. Old not interchangeable with new D41087400
9	<b>D28283060</b>	15	Bush	
10	D20400404	X	Washer	
11	D40402600	X	Hex. Sock. Screw	
12	D43428200	6	Nut	
13	D58283070	1	Cover	Up to Serial or Engine Number 939559
	D18285312	1	Cover	From Serial or Engine Number 939560
14	D20400470	6	Washer	
15	D28280014	2	Plate	
16	D28283007	1	Drive Shaft	
17	D43106800	1	Key	
18	D40407600	6	Hex. Sock. Screw	
19	D18283053	1	Plate	
20	D41716500	1	Bearing	
21	D41010900	4	Nut	
22	D28281387	1	Screw	
23	D41408900	1	Split Pin	
24	D41010800	2	Nut	
25	D20400415	4	Washer	
26	D28280729	4	Nut	
27	D41653500	X	Washer	
28	D41653500	4	Washer	
29	D28283004	1	Washer	
30	D45481600	1	O Ring	
31	<b>D45904300</b>	2	Facing	
32	D28286047	1	Sprocket	
33	D28286049	1	Insert	
34	D28286166	1	Clutch Disc	
35	D41112400	10	Washer	
36	D41054100	1	Castle Nut	
37	D28281431	1	Spacer	
38	D28281432	1	Support	
39	D28283006	1	Spring	
40	D20400507	1	Spacer	
41	D40426100	1	Hex. Sock. Screw	
42	D40405000	1	Hex. Sock. Screw	
43	D41087600	1	Locknut	
44	D43001500	1	Greaser	
45	D28283853	15	Hair Pin	
46	D41408800	1	Split Pin	
47	D28280005	1	Auger	20' - 6,16M Up to Serial or Engine Number 939455
	D28280067	1	Auger	22' - 6,77M Up to Serial or Engine Number 939455
	D28286019	1	Auger	20' - 6,16M From Serial or Engine Number 939649
	D28286021	1	Auger	22' - 6,77M From Serial or Engine Number 939649
48	D28280006	1	Auger	20' - 6,16M 939455

## Table Auger Left Hand - Freeflow - 20-22'

Item	Part Number	Qty	Description	Comments
	D28280068	1	Auger	22' - 6,77M Up to Serial or Engine Number 939455
	D28286018	1	Auger	20' - 6,16M From Serial or Engine Number 939649
	D28286020	1	Auger	22' - 6,77M From Serial or Engine Number 939649
49	<b>D42329300</b>	1	Chain	See Page - Reference Number 001-0004/11
50	D20400520	4	Spacer	
51	D20400523	3	Spacer	
52	<b>D42365100</b>	1	Link	
53	D28283294	4	Spike	
54	D28281694	4	Threaded Part	
55	D40404900	20	Hex. Sock. Screw	
56	D20400506	20	Washer	
57	394367X1	12	Locknut	
58	D20400471	2	Washer	
59	D28285967	1	Auger Extension	
60	D28285968	1	Auger Extension	
61	D28285981	2	Bracket	

8300 / 8350 COMBINES - --->| 60521 - 1637414  
D-ZAZD-006-C



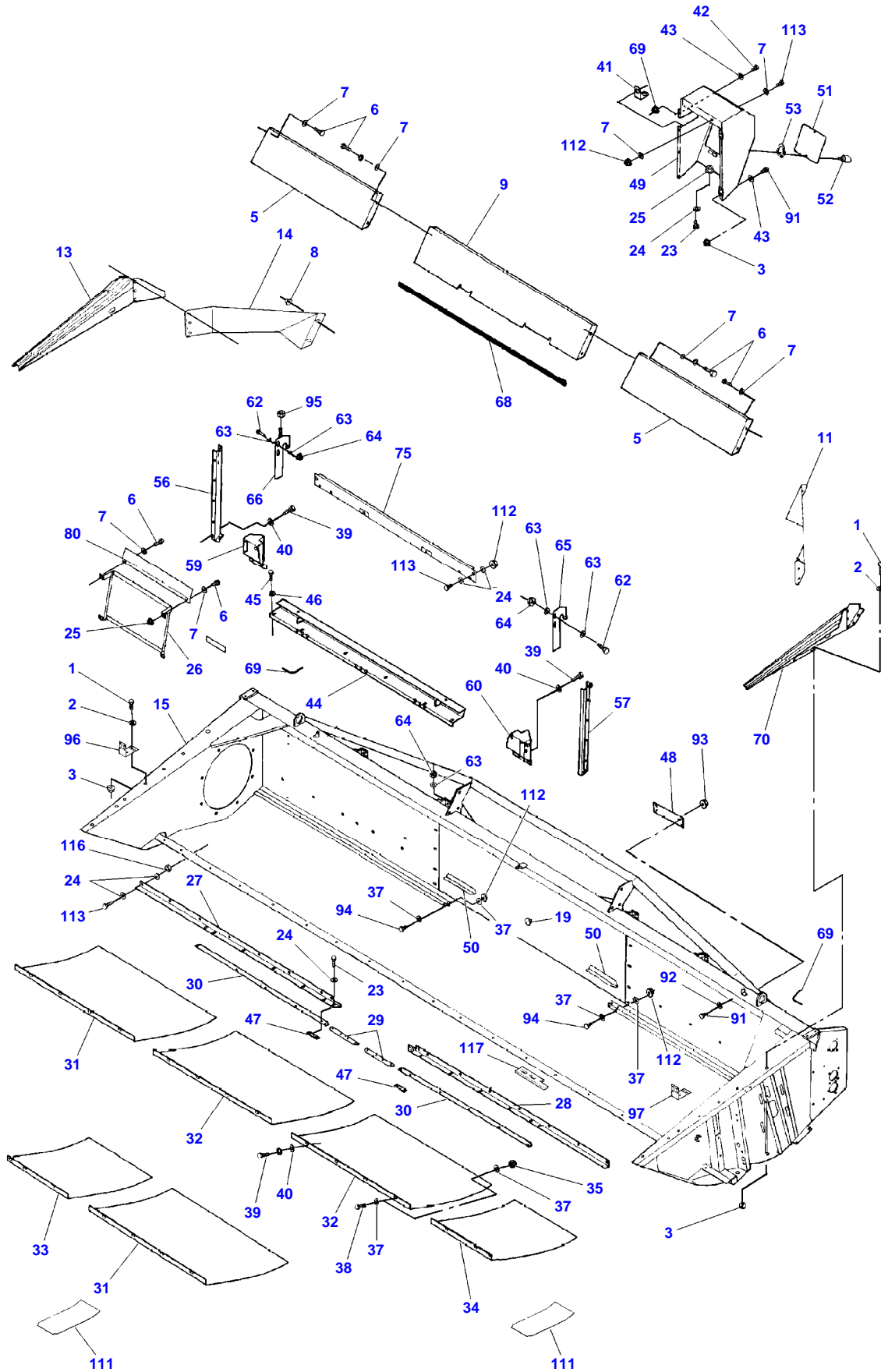
D-ZAZD-006-C

Item	Part Number	Qty	Description	Comments
1	D28281345	1	Stirrup	
2	394367X1	X	Locknut	
3	D20400506	X	Washer	
4	D40404700	X	Hex. Sock. Screw	
5	D20400470	X	Washer	
6	1441462X1	X	Locknut	Replace and repair. Old not interchangeable with new D41087400
7	D28285302	1	Bearing Carrier	
8	D41707800	2	Bearing	
9	D43114900	1	Key	
10	D43105000	1	Key	
11	<b>D42329300</b>	1	Chain	See Page - Reference Number 001-0003/49
12	<b>D42365100</b>	1	Link	
13	D28280225	1	Sprocket	
15	D28281578	1	Retainer	
16	D28285423	1	Pulley	
17	D40697900	3	Screw	
18	<b>D41985600</b>	1	Belt	See Page - Reference Number 001-0001/67
19	D40402600	X	Hex. Sock. Screw	
20	D40407700	4	Hex. Sock. Screw	
21	394367X1	X	Locknut	
22	D41087600	X	Locknut	
23	D28281570	1	Plate	
24	D40405000	3	Hex. Sock. Screw	
25	394367X1	3	Locknut	
26	D28281577	1	Angle.	
27	D43427500	1	Pin	
28	D42555500	1	Circlip	
29	D45609100	1	Shaft	20' - 6,16M
	D45609300	1	Shaft	22' - 6,77M
30	D45632900	1	Bush	
31	D45633000	1	Ring	
32	D45630700	1	Ring	
33	D45630500	1	Guard	
34	D45681800	2	Chain	
35	D45632400	2	Tube	
36	D45645700	2	Washer	
37	D28760574	1	Pulley	
38	D28760156	1	Screw	
39	D28760155	1	Bush	
40	D28260181	1	Bolt	
41	D41087900	X	Locknut	
42	D20400416	X	Washer	
43	D41010800	X	Nut	
44	D45630400	1	Guard	
45	D45630600	1	Ring	
46	D45631100	1	Tube	20' - 6,16M
	D45633700	1	Tube	22' - 6,77M
47	D45631900	1	Tube	20' - 6,16M
	D45633900	1	Tube	22' - 6,77M
48	D28181284	1	Washer	
49	D40433600	2	Hex. Sock. Screw	
50	D20400463	1	Washer	
51	D20400460	6	Washer	
52	D20400459	2	Washer	
53	D45632300	1	Tube	20' - 6,16M
	D45632300	1	Tube	22' - 6,77M
54	D41716800	2	Tightener	
55	D20400516	X	Spacer	OPTIONAL
56	D41087900	2	Locknut	
57	D45631500	1	Tube	20' - 6,16M
	D45631500	1	Tube	22' - 6,77M
58	D45630100	1	Yoke	
59	D45633200	1	Yoke	
60	D58281583	1	Guard	
61	D45667300	2	Spring	
62	D45665300	2	Pin	

Item	Part Number	Qty	Description	Comments
63	D18286026	1	Table	20' - 6,16M
	D18286027	1	Table	22' - 6,77M
64	D42619100	2	Pin	
65	D45630300	2	Hub	
66	D40066800	8	Screw Special	
67	D20400419	X	Washer	
68	D45630200	1	Yoke	
69	D45633100	1	Yoke	
70	D28284404	1	Shaft	
71	D28785641	1	Clutch	[A] Up to Serial or Engine Number 59115
72	D45148900	1	Container	[A] Up to Serial or Engine Number 59115
73	D28285296	1	Bracket	[A] Up to Serial or Engine Number 59115
74	D45140037	2	Screw	[A]
75	D28285536	1	Lever	
76	D43484900	1	Lever	
77	D42612200	X	Pin	
78	D28280787	1	Rail	
79	D28281365	1	Crossmember	Replace and repair. Old interchangeable with new D58281365
80	D40609300	6	Screw	
81	D20400466	6	Washer	
82	D41087200	6	Locknut	
83	D40073100	1	Screw	
84	D28280981	1	Spacer	
85	D20400459	1	Washer	
86	D41087900	1	Locknut	
87	D27100794	2	Spring	
88	D28283200	1	Shaft	
89	D28285535	2	Fork	
90	D40423900	X	Hex. Sock. Screw	
91	D28285531	1	Journal	
92	D45140038	2	Ring	[A] Up to Serial or Engine Number 59115
108	D18283090	1	Plate	
109	D18283098	1	Fitting	
110	D40404900	X	Hex. Sock. Screw	
111	D20400506	X	Washer	
112	394367X1	X	Locknut	
113	D18285215	1	Bracket	Up to Serial or Engine Number 59115
118	D28285492	1	Rubber Patch	From Serial or Engine Number 59116
180	D41622700	1	Bear. 6204 2rs	
181	339199X1	2	Circlip	
182	D28285518	1	Bracket	From Serial or Engine Number 59116
183	D28285519	1	Support	From Serial or Engine Number 59116 CPL.
184	D28285497	1	Support	From Serial or Engine Number 59116
185	D28285494	1	Stirrup	From Serial or Engine Number 59116
186	D45140044	1	Clutch	From Serial or Engine Number 59116
187	D45702000	1	Hose	

FOOTNOTE [A] OPTIONAL EQUIPMENT

8300 / 8350 COMBINES - --->| 60521 - 1637414  
D-ZAZE-006-C



D-ZAZE-006-C

Item	Part Number	Qty	Description	Comments
1	D40402400	X	Hex. Sock. Screw	
2	D20400470	X	Washer	
3	1441462X1	X	Locknut	
5	D58283238	2	Cowl	20' - 6,16M
	D58283862	2	Cowl	22' - 6,77M
6	D40404900	X	Hex. Sock. Screw	
7	D20400506	X	Washer	
8	394367X1	X	Locknut	
9	D58283236	1	Cowl	
11	D58283233	1	Cowl	Left Hand
13	D58283516	1	Side	Right Hand
14	D58283232	1	Cowl	Right Hand
15	D18286026	1	Table	20' - 6,16M
	D18286027	1	Table	22' - 6,77M
19	D45745300	X	Plug	
23	D40404900	X	Hex. Sock. Screw	
24	D20400506	X	Washer	
25	394367X1	X	Locknut	
26	D28285263	1	Retainer	22' - 6,77M
	D18285767	1	Bracket	20' - 6,16M
27	D28281806	1	Deflector	Right Hand 20' - 6,16M
	D28281808	1	Deflector	Right Hand 22' - 6,77M
28	D28281805	1	Deflector	Left Hand 20' - 6,16M
	D28281807	1	Deflector	Left Hand 22' - 6,77M
29	D28280781	2	Retainer	
30	D28283324	2	Deflector	20' - 6,16M
	D28283861	2	Deflector	22' - 6,77M
31	D28283256	4	Wearplate	20' - 6,16M
	D28283256	3	Wearplate	22' - 6,77M
32	D28283255	2	Wearplate	Replace and repair. Old interchangeable with new D58283255 20' - 6,16M
33	D28283253	1	Wearplate	Right Hand
34	D28283254	1	Wearplate	Left Hand Replace and repair. Old interchangeable with new D58283254
35	394367X1	X	Locknut	
37	D20400506	X	Washer	
38	D40405300	X	Screw	
39	D40407800	X	Hex. Sock. Screw	
40	D20400419	X	Washer	
41	D18250648	1	Clip	
42	D40402600	5	Hex. Sock. Screw	
43	D20400405	5	Washer	
44	D18285529	1	Profile	
45	D40407800	8	Hex. Sock. Screw	
46	D20400415	8	Washer	
47	D28283321	4	Clamp	
48	D18285613	1	Cover	
49	D58284331	1	Guard	
50	D28283406	2	Deflector	Replace and repair. Old interchangeable with new D58283406
51	D58280958	1	Cover	
52	D43427500	2	Pin	
53	D42555500	2	Circlip	
56	D18285775	1	Support	Right Hand
57	D18285776	1	Support	Left Hand
59	D58285752	1	Bracket	
60	D58285756	1	Bracket	
62	D40433300	4	Hex. Sock. Screw	
63	D28181284	9	Washer	
64	D41087900	5	Locknut	
65	D18285739	1	Hook	
66	D18285738	1	Hook	
68	D28283557	X	Tensioner	
69	D44740000	X	Profile	50 M
70	D58283938	1	Plate	
75	D18285218	1	Plate	[A]
80	D28285264	1	Guard	22' - 6,77M

Item	Part Number	Qty	Description	Comments
	D18285763	1	Protector	20' - 6,16M
91	D40402400	X	Hex. Sock. Screw	
92	D20400404	X	Washer	
93	1441462X1	X	Locknut	
94	D40405100	4	Hex. Sock. Screw	
95	D41011100	1	Nut	
96	D28780381	2	Retainer	[C]
97	D28780381	1	Retainer	[B]
111	D28284101	2	Plate	
112	394367X1	X	Locknut	
113	D40405000	X	Hex. Sock. Screw	
116	D41010700	X	Nut	
117	D28285011	1	Lock Support	

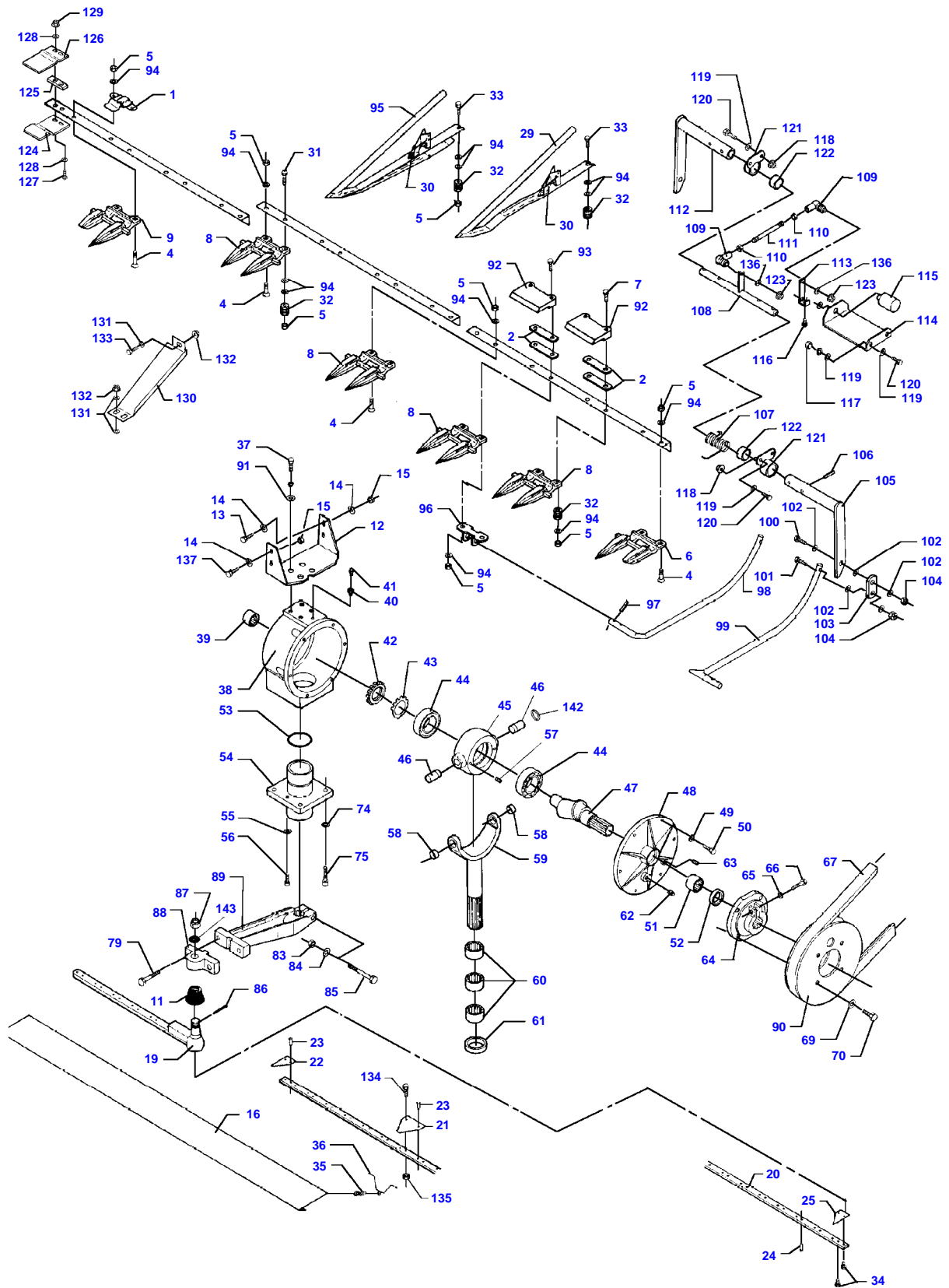
FOOTNOTE [A] OPTIONAL EQUIPMENT AUTO LEVEL

FOOTNOTE [B] OPTIONAL EQUIPMENT ELECTRIC - VERTICAL KNIFE LEFT

FOOTNOTE [C] OPTIONAL EQUIPMENT ELECTRIC VERTICAL KNIFE RIGHT



8300 / 8350 COMBINES - --->| 60521 - 1637414  
D-ZAZF-006-C



## Knives And Fingers - Powerflow - 20-22'

Item	Part Number	Qty	Description	Comments
1	D28283934	19	Clip	20' - 6,16M
	D28283934	21	Clip	22' - 6,77M
2	D28230292	4	Shim	
4	D40551500	X	Bolt	
5	D41010800	X	Nut	
6	D44104700	1	Finger	Left Hand
7	D40067600	X	Screw	
8	D44104500	39	Finger	20' - 6,16M
	D44104500	43	Finger	22' - 6,77M
9	D44104600	1	Finger	Right Hand
11	D44120500	1	Cap	
12	D28283104	1	Support	Up to Serial or Engine Number 939559
13	D40405100	2	Hex. Sock. Screw	
14	D20400414	4	Washer	
15	394367X1	2	Locknut	
16	D28230830	2	Guard	22' - 6,77M
	D28230831	1	Guard	20' - 22' 6,16M - 6,77M
	D28200314	1	Guard	20' - 6,16M
	D28200738	1	Guard	20' - 6,16M
19	D28283010	2	Blade	20' - 6,16M
	D28283865	2	Blade	22' - 6,77M
	D28283011	2	Knife Head	
20	D28281492	2	Knife Back	20' - 6,16M
	D28281493	2	Knife Back	22' - 6,77M
21	D44103700	X	Section	
22	D44103800	X	Half Section	Right Hand
23	D41306100	X	Rivet	
24	D41306200	X	Rivet	
25	D44104000	1	Half Section	Left Hand
29	D49040900	X	Ear Lifter	
30	D49040400	X	Spring	
31	D40426000	X	Hex. Sock. Screw	
32	D49040600	21	Roller	20' - 6,16M
	D49040600	23	Roller	22' - 6,77M
33	D40426000	X	Hex. Sock. Screw	
34	D40402400	2	Hex. Sock. Screw	
35	D26500317	4	Spring	(16)
36	D28230841	4	Spring	(16)
37	D40405100	4	Hex. Sock. Screw	
38	D28281324	1	Wobble Drive	[B] Cpl.
	D44127800	1	Box	[B] (38)
	D28281324	1	Wobble Drive	[C] (38) Cpl.
	D44126500	1	Box	[C] (38)
39	D44128800	1	Bearing Needle	(38)
40	D44129400	1	Connector	(38)
41	D46116500	1	Valve.	(38)
42	D44129100	1	Nut	(38)
43	D44129200	1	Washer	(38)
44	D41668400	2	Bearing Roller	(38)
45	D44127900	1	Housing	[B] (38)
	D44126400	1	Housing	[C] (38)
46	D44128000	2	Journal	[B] (38)
	D44125900	2	Journal	[C] (38)
47	D44129300	1	Shaft	(38)
48	D44128200	1	Cover	[B] (38)

Item	Part Number	Qty	Description	Comments
	D44126300	1	Cover	[C] (38)
49	D41102100	6	Washer	(38)
50	D40404900	6	Hex. Sock. Screw	(38)
51	D41669700	1	Bearing Needle	(38)
52	D45412000	1	Gasket	(38)
53	D45481500	1	O Ring	(38)
54	D44128300	1	Bearing Carrier	[B] (38)
	D44126200	1	Bearing Carrier	[C] (38)
55	D41102100	2	Washer	(38)
56	D40697200	2	Screw	[B] (38)
	D40697700	2	Screw	[C]
57	D40639600	2	Pin	[B] (38)
58	D44128400	2	Bush	[B] (38)
	D44126100	2	Bush	[C] (38)
59	D44128500	1	Yoke	[B] (38)
	D44126000	1	Yoke	[C]
60	D41669800	3	Bearing Needle	(38)
61	D45409500	1	Gasket	(38)
62	D44128600	1	Plug	(38)
63	D45236200	1	Plug	(38)
64	D44127100	1	Hub	(38)
65	D41100900	1	Spring Washer	(38)
66	D40694000	1	Screw	(38)
67	<b>D41986300</b>	1	V Belt	See Page - Reference Number 001-0009/39
69	D20400426	4	Washer	
70	D40410900	4	Hex. Sock. Screw	
74	D20400522	4	Spacer	
75	D40465100	4	Screw	
79	D40698400	2	Screw	
83	D41087700	1	Locknut	
84	D20400426	1	Washer	
85	D40429400	1	Hex. Sock. Screw	
86	D41409100	1	Split Pin	
87	<b>D41054300</b>	1	Nut	
88	D44126900	1	Flange	
89	D44127000	1	Swivel Arm	
90	D44127200	1	Pulley	
91	D28280986	4	Washer	
92	<b>D28260362</b>	2	Clip	
93	D40067200	X	Screw	
94	D20400419	X	Washer	
95	D49040300	X	Ear Lifter	
96	D28284356	4	Fitting	[A]
97	D42611800	8	Pin	[A]
98	D28284259	2	Sensor	[A]
99	D28284260	2	Sensor	[A]
100	D40405100	4	Hex. Sock. Screw	[A]
101	D40405300	4	Screw	[A]
102	D20400506	20	Washer	[A]
103	D28284363	4	Link	[A]
104	394367X1	8	Locknut	[A]
105	D28284227	2	Lever	[A] Left Hand
106	D42611900	8	Pin	[A]
107	D28281693	2	Spring	[A]
108	D28284232	2	Shaft	[A]
109	D46437300	4	Toggle	[A]
110	D41010600	4	Nut	[A]
111	D28780446	2	Rod	[A]

## Knives And Fingers - Powerflow - 20-22'

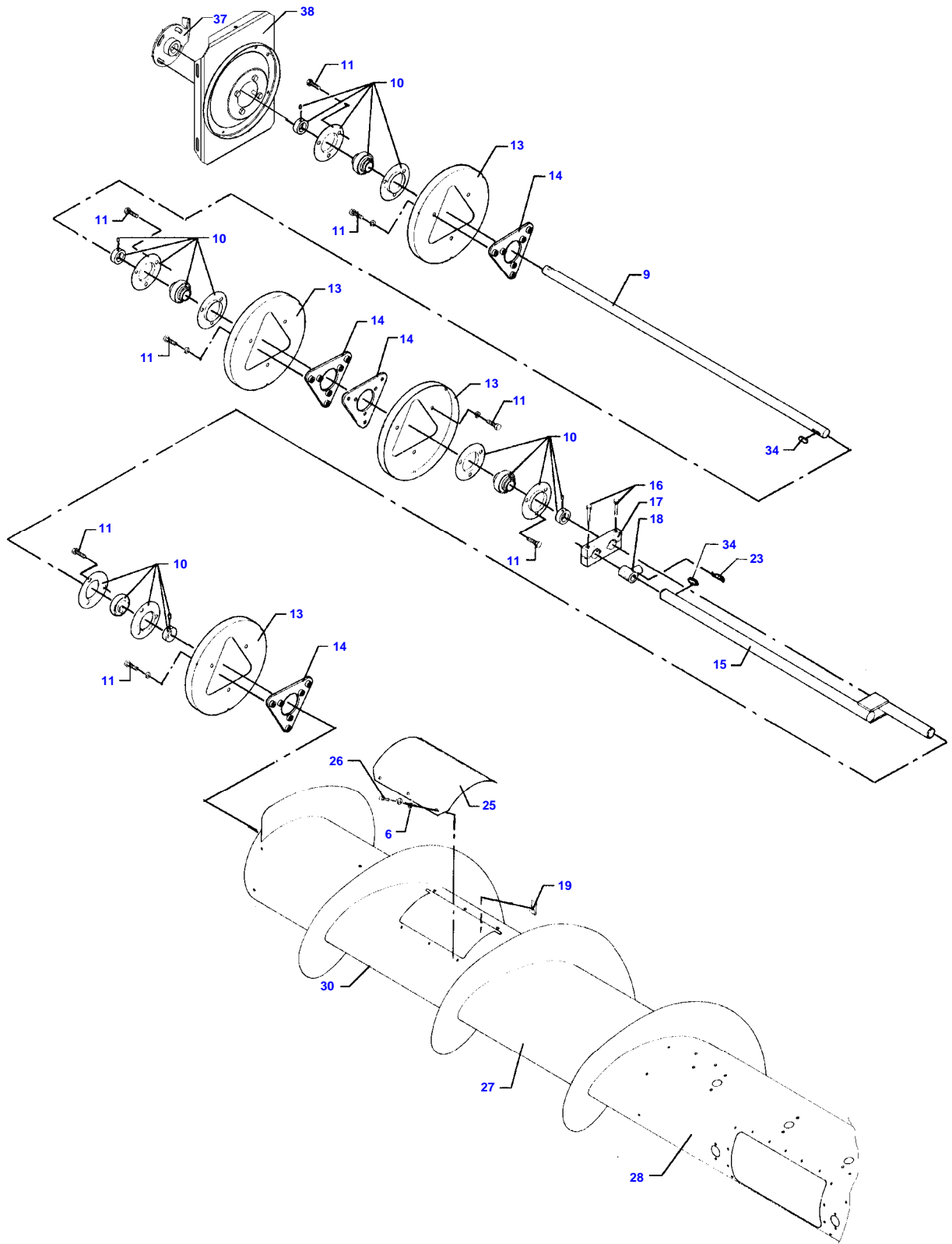
Item	Part Number	Qty	Description	Comments
112	D28284226	2	Lever	[A] Right Hand
113	D28284361	2	Connecting Link	[A]
114	D28284360	2	Plate	[A]
115	<b>D28780523</b>	2	Potentiometer	[A]
116	D40464900	2	Screw	[A]
117	D41010700	4	Nut	[A]
118	394367X1	8	Locknut	[A]
119	D20400506	16	Washer	[A]
120	D40404900	12	Hex. Sock. Screw	[A]
121	D28284458	4	Bearing Bush	[A]
122	D28284456	4	Bush	[A]
123	D41088800	2	Locknut	[A]
124	D28281576	1	Plate	
125	D28281575	1	Shim	
126	D28281574	1	Plate	
127	D40423700	2	Hex. Sock. Screw	
128	D20400506	2	Washer	
129	394367X1	2	Locknut	
130	D28281572	1	Guard	
131	D20400506	3	Washer	
132	394367X1	3	Locknut	
133	D40405000	1	Hex. Sock. Screw	
134	D40402400	X	Hex. Sock. Screw	Alternative D41306100
135	1441462X1	X	Locknut	Alternative D41306100 Replace and repair. Old not interchangeable with new D41087400
136	D20400404	4	Washer	
137	D40405300	2	Screw	
142	D45483000	1	O Ring	[C]
143	D20400438	1	Washer	

**FOOTNOTE [A]** OPTIONAL EQUIPMENT AUTO LEVEL

**FOOTNOTE [B]** USED ONLY IN KNIFE DRIVES WITH 6 HOLES IN BEARING HOUSING BOTTOM

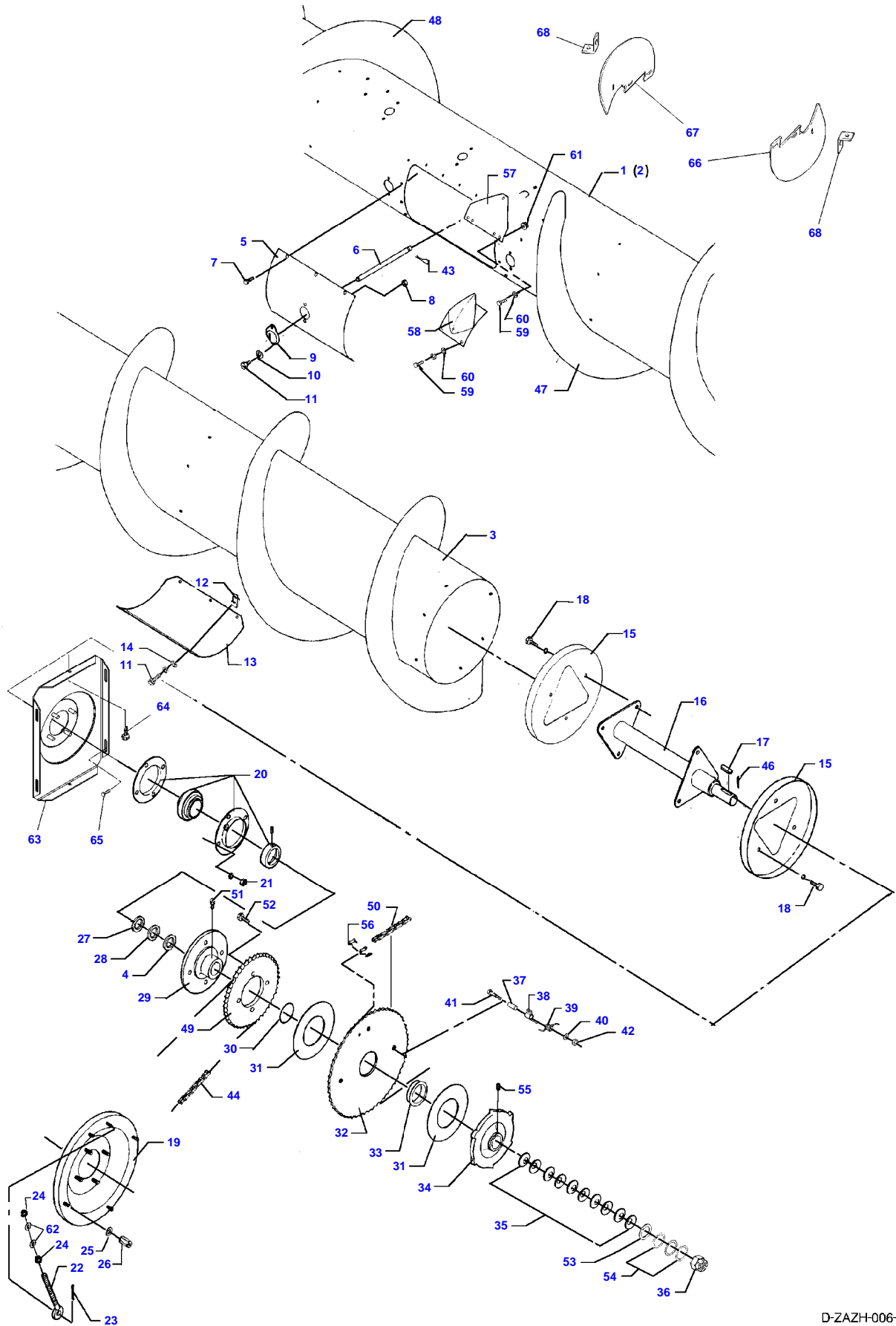
**FOOTNOTE [C]** USED ONLY IN KNIFE DRIVES WITH 8HOLES IN BEARING HOUSING BOTTOM AND BULGES SIDES

8300 / 8350 COMBINES - --->| 60521 - 1637414  
D-ZAZG-006-A



Item	Part Number	Qty	Description	Comments
6	D20400470	12	Washer	
9	D28283037	1	Shaft	20' - 6,16M Up to Serial or Engine Number 939559
	D28283871	1	Shaft	22' - 6,77M Up to Serial or Engine Number 939559
	D28285997	1	Shaft	20' - 6,16M From Serial or Engine Number 939560
	D28285797	1	Auger	22' - 6,77M From Serial or Engine Number 939560
10	D41707800	4	Bearing	
11	D40407900	24	Hex. Sock. Screw	
13	D28280014	4	Plate	
14	D28283847	4	Bearing Plate	
15	D28285977	1	Crankshaft	
16	D40426100	2	Hex. Sock. Screw	
17	D28283039	1	Arm	
18	<b>D28251831</b>	15	Bearing Carrier	
19	D43428200	6	Nut	
23	D28283853	15	Hair Pin	
25	D58283070	1	Cover	Up to Serial or Engine Number 939559
	D18285312	1	Cover	From Serial or Engine Number 939560
26	D40402600	6	Hex. Sock. Screw	
27	D58283953	1	Table Auger	20' - 6,16M Up to Serial or Engine Number 939559
	D58284500	1	Table Auger	22' - 6,77M Up to Serial or Engine Number 939559
	D18285986	1	Table Auger	20'-6,16M From Serial or Engine Number 939560
	D28286153	1	Auger	22'-6,77M From Serial or Engine Number 939560
28	D28283012	1	Body	
30	D28283034	1	Body	Right Hand 20' - 6,16M Up to Serial or Engine Number 940147
	D28286007	1	Body	Right Hand 20' - 6,16M From Serial or Engine Number 940148
	D28283876	1	Body	Right Hand 22' - 6,77M
34	D43104700	2	Key	
37	D28285130	1	Fitting	
38	D28285102	1	Cover	

8300 / 8350 COMBINES - --->| 60521 - 1637414  
D-ZAZH-006-C



## Tabel Auger Left Hand - Powerflow - 20-22'

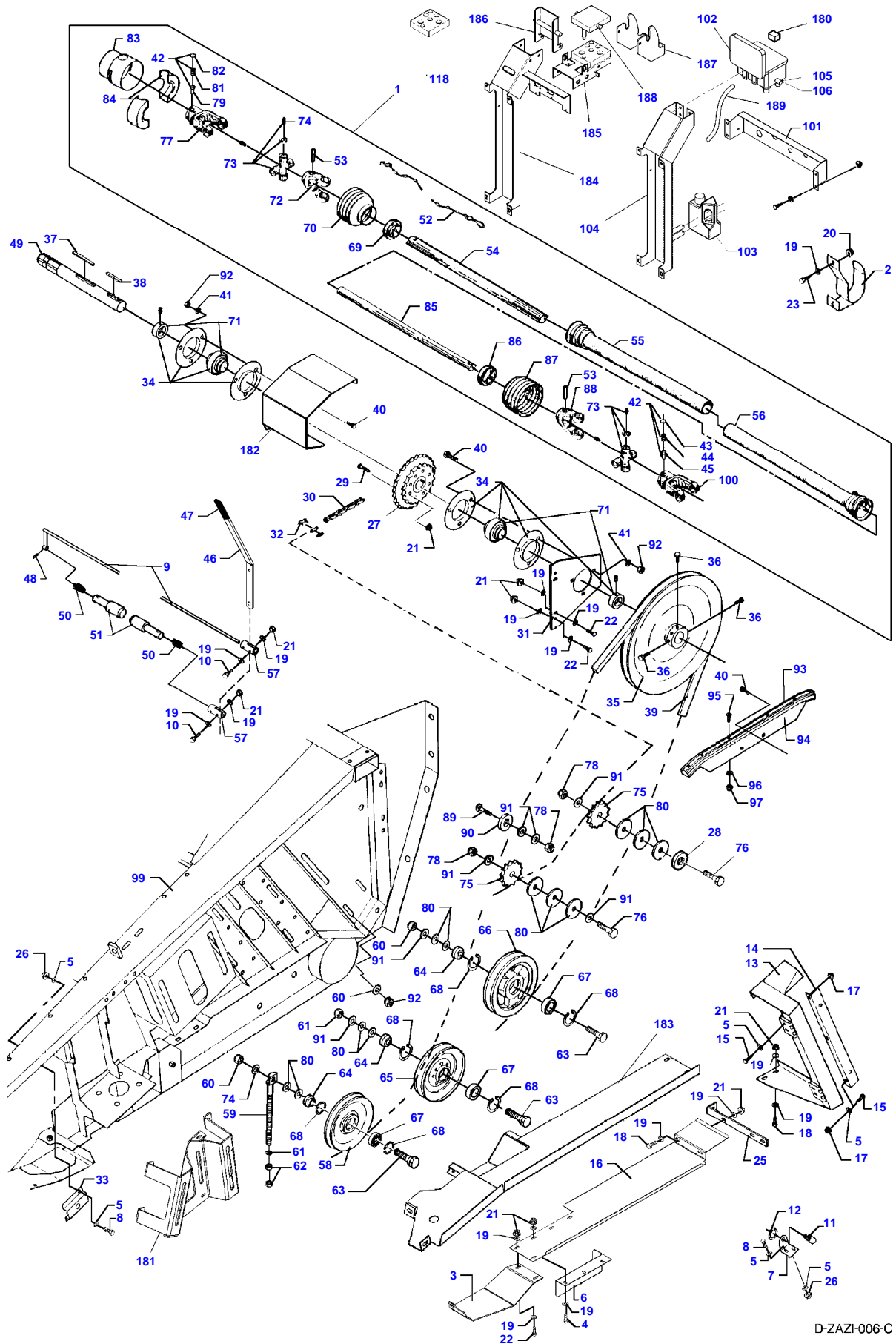
Item	Part Number	Qty	Description	Comments
1	D58283953	1	Table Auger	20' - 6,16M Up to Serial or Engine Number 939559
	D58284500	1	Table Auger	22' - 6,77M Up to Serial or Engine Number 939559
	D18285986	1	Table Auger	20'-6,16M From Serial or Engine Number 939560
	D28286153	1	Auger	22' -6,77M From Serial or Engine Number 939560
2	D28283012	1	Body	
3	D28286006	1	Body	Left Hand 20' - 6,16M
	D28283875	1	Body	Left Hand 22' - 6,77M
4	D41653500	2	Washer	
5	D18283078	1	Cover	
6	<b>D28283815</b>	15	Finger	
7	D40402400	8	Hex. Sock. Screw	
8	1441462X1	X	Locknut	Replace and repair. Old not interchangeable with new D41087400
9	<b>D28283060</b>	15	Bush	
10	D20400404	X	Washer	
11	D40402600	X	Hex. Sock. Screw	
12	D43428200	6	Nut	
13	D58283070	1	Cover	Up to Serial or Engine Number 939559
	D18285312	1	Cover	From Serial or Engine Number 939560
14	D20400470	6	Washer	
15	D28280014	2	Plate	
16	D28285100	1	Drive Shaft	
17	D43106800	1	Key	
18	D40407900	X	Hex. Sock. Screw	
19	D18283053	1	Plate	
20	D41716500	1	Bearing	
21	D41010900	4	Nut	
22	D28281387	1	Screw	
23	D41405900	1	Pin	
24	D41010800	2	Nut	
25	D20400416	4	Washer	
26	D28280729	4	Nut	
27	D41653500	X	Washer	OPTIONAL
28	D41653500	4	Washer	
29	D28283004	1	Washer	
30	D45481600	1	O Ring	
31	<b>D45904300</b>	2	Facing	
32	D28286046	1	Sprocket	20' - 6,16M From Serial or Engine Number 937898
	D28286046	1	Sprocket	22' -6,77 M Up to Serial or Engine Number 940322
	D28285443	1	Sprocket	22' - 6,77 M From Serial or Engine Number 940323
33	D28286049	1	Insert	
34	D28286166	1	Clutch Disc	22' - 6,77M
35	D41112400	10	Washer	
36	D41054100	1	Castle Nut	
37	D28281431	1	Spacer	
38	D28281432	1	Support	
39	D28283006	1	Spring	
40	D20400507	1	Spacer	
41	D40426100	1	Hex. Sock. Screw	
42	D41087600	1	Locknut	
43	D28283853	15	Hair Pin	
44	<b>D42332800</b>	1	Chain	See Page - Reference Number 001-0016/33
46	D41408800	1	Split Pin	
47	D28286016	1	Auger	Right Hand 20' - 6,16M
	D28284502	1	Auger	Right Hand 22' - 6,77M
48	D28286017	1	Auger	Left Hand 20' - 6,16M
	D28284501	1	Auger	Left Hand 22' - 6,77M
49	D28283182	1	Sprocket	
50	<b>D42329200</b>	1	Chain	See Page - Reference Number 001-0009/30
51	D40405000	1	Hex. Sock. Screw	
52	D40404900	4	Hex. Sock. Screw	



Item	Part Number	Qty	Description	Comments
53	D20400520	1	Spacer	
54	D20400523	4	Spacer	
55	D43001500	1	Greaser	
56	<b>D42365500</b>	1	Link	
57	D28281694	4	Threaded Part	[A]
58	D28283297	4	Finger	[A]
59	D40404900	20	Hex. Sock. Screw	[A]
60	D20400506	20	Washer	[A]
61	394367X1	12	Locknut	[A]
62	D20400471	2	Washer	
63	D28285102	1	Cover	From Serial or Engine Number 939560
64	D40633300	2	Pin	From Serial or Engine Number 939560
65	390809X1	4	Screw Special	From Serial or Engine Number 939560
66	D28285974	1	Auger	Left Hand 20'
67	D28285975	1	Auger	Right Hand 20'
68	D28285981	2	Bracket	20'

FOOTNOTE [A] OPTIONAL EQUIPMENT STANDARD COMBINE, STANDARD EQUIPMENT AUTO LEVEL COMBINE,SLOPES

8300 / 8350 COMBINES - --->| 60521 - 1637414  
D-ZAZI-006-C



D-ZAZI-006-C

Item	Part Number	Qty	Description	Comments
1	D45609100	1	Shaft	20' - 6,16M
	D45609300	1	Shaft	22' - 6,77M
	D45609500	1	Shaft	Up to Serial or Engine Number 939566 22'-6,77M From Serial or Engine Number 939567
2	D28281345	1	Stirrup	
3	D28281709	1	Guard	
4	D40404900	X	Hex. Sock. Screw	
5	D20400470	X	Washer	
6	D28281708	1	Protector	
7	D28281577	1	Angle.	
8	D40402600	X	Hex. Sock. Screw	
9	D28285117	1	Rod	
10	D40423900	X	Hex. Sock. Screw	
11	D43427500	1	Pin	
12	D42555500	1	Circlip	
13	D58280541	1	Post	
14	D58280550	1	Angle.	
15	D40402400	X	Hex. Sock. Screw	
16	D28281707	1	Plate	
17	1441462X1	X	Locknut	
18	D40405100	X	Hex. Sock. Screw	
19	D20400506	X	Washer	
20	394367X1	X	Locknut	
21	394367X1	X	Locknut	
22	D40405000	X	Hex. Sock. Screw	
23	D40404700	X	Hex. Sock. Screw	
25	D28283924	1	Reinforcement	
26	1441462X1	X	Locknut	Replace and repair. Old not interchangeable with new D41087400
27	D28285385	1	Gear	
28	D20400460	1	Washer	
29	D40423600	8	Hex. Sock. Screw	
30	<b>D42329200</b>	1	Chain	See Page - Reference Number 001-0008/50
31	D58281366	1	Bearing Carrier	
32	<b>D42365500</b>	1	Link	
33	D28281578	1	Retainer	
34	D41707800	2	Bearing	
35	D28285423	1	Pulley	
36	D40697900	3	Screw	
37	D43114900	1	Key	
38	D43105000	1	Key	
39	<b>D41986300</b>	1	V Belt	
40	D40066800	6	Screw Special	
41	D20400419	6	Washer	
42	D45632400	2	Tube	
43	D45645700	2	Washer	
44	D45667300	2	Spring	
45	D45665300	2	Pin	
46	D28285127	1	Lever	
47	D43484900	1	Lever	
48	D42612200	X	Pin	
49	D28285125	1	Shaft	
50	D27100794	2	Spring	
51	D28283200	1	Shaft	
52	D45681800	2	Chain	
53	D42619100	2	Pin	
54	D45631100	1	Tube	20' - 6,16M
	D45633700	1	Tube	22' - 6,77M
55	D45631900	1	Tube	20' - 6,16M
	D45633900	1	Tube	22' - 6,77M
56	D45632300	1	Tube	20' - 6,16M
	D45632300	1	Tube	22' - 6,77M
57	D28285126	2	Fork	
58	D28760574	1	Pulley	
59	D28260181	1	Bolt	
60	D41087900	3	Locknut	

Item	Part Number	Qty	Description	Comments
61	D20400416	X	Washer	
62	D41010800	X	Nut	
63	D28760156	3	Screw	
64	D28760155	3	Bush	
65	D28752130	1	Pulley	
66	D28280819	1	Pulley	
67	D41622700	3	Bear. 6204 2rs	
68	339199X1	6	Circlip	
69	D45630600	1	Ring	
70	D45630400	1	Guard	
71	D41663400	2	Ball Bearing	
72	D45630200	1	Yoke	
73	D45630300	2	Hub	
74	D43001600	2	Greaser	
75	D41716800	2	Tightener	
76	D40433600	2	Hex. Sock. Screw	
77	D45633100	1	Yoke	[B]
78	D41087900	X	Locknut	
79	D45665300	2	Pin	
80	D20400460	X	Washer	
81	D45667300	2	Spring	
82	D45645700	2	Washer	
83	D45632900	1	Bush	
84	D45633300	1	Tube	
85	D45631500	1	Tube	20' - 6,16M
	D45631500	1	Tube	22' - 6,77M
86	D45630700	1	Ring	
87	D45630500	1	Guard	
88	D45630100	1	Yoke	
89	D40073100	1	Screw	
90	D28280981	1	Spacer	
91	D28181284	X	Washer	
92	D41087600	X	Locknut	
93	D28280787	1	Rail	
94	D28281365	1	Crossmember	Replace and repair. Old interchangeable with new D58281365
95	D40609300	6	Screw	
96	D20400466	6	Washer	
97	D41087200	6	Locknut	
99	D58285512	1	Table Housing	20' - 6,16M
	D58285827	1	Body	22' - 6,77M
100	D45633200	1	Yoke	[B]
101	D18285215	1	Bracket	Up to Serial or Engine Number 59115
102	D28785641	1	Clutch	[A] Up to Serial or Engine Number 59115
103	D45148900	1	Container	[A] Up to Serial or Engine Number 59115
104	D28285296	1	Bracket	[A] Up to Serial or Engine Number 59115
105	D45140037	2	Screw	[A]
106	D45140038	2	Ring	[A] Up to Serial or Engine Number 59115
118	D28285492	1	Rubber Patch	From Serial or Engine Number 59116
180	D45140039	2	Plug	Up to Serial or Engine Number 59115
181	D58285089	1	Bracket	
182	D58285795	1	Guard	
183	D28285366	1	Guard	
184	D28285518	1	Bracket	From Serial or Engine Number 59116
185	D28285519	1	Support	From Serial or Engine Number 59116 CPL.
186	D28285497	1	Support	From Serial or Engine Number 59116
187	D28285494	1	Stirrup	From Serial or Engine Number 59116
188	D45140044	1	Clutch	From Serial or Engine Number 59116
189	D45702000	1	Hose	

FOOTNOTE [A] OPTIONAL EQUIPMENT

FOOTNOTE [B] DELIVERED IN SETS

Thank you so much for reading.  
Please click the “Buy Now!”  
button below to download the  
complete manual.



After you pay.

You can download the most  
perfect and complete manual in  
the world immediately.

Our support email:

[ebooklibonline@outlook.com](mailto:ebooklibonline@outlook.com)