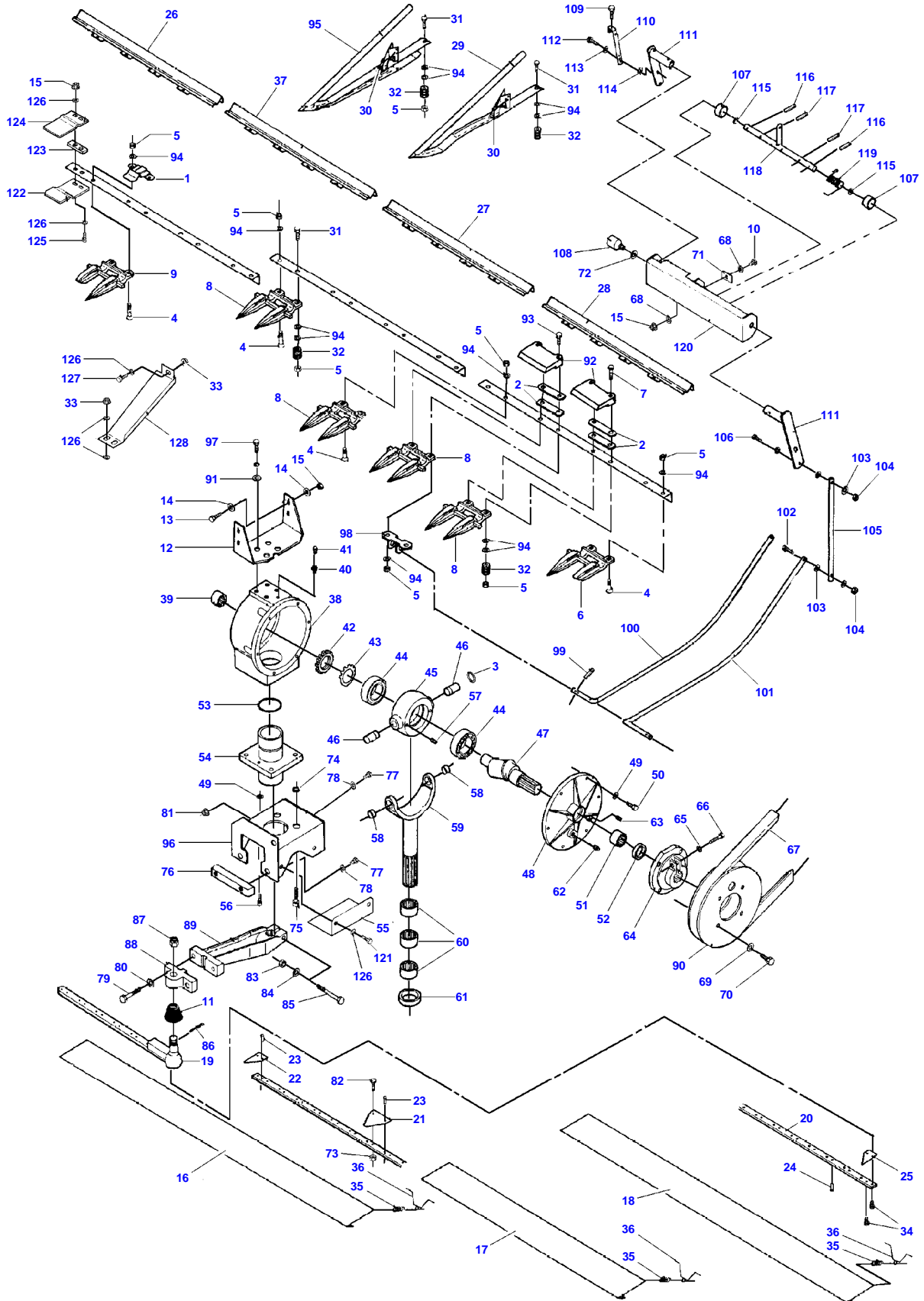


Page Title	Page Number
Knives And Fingers - Freeflow	001-0001
Table Auger Right Hand - Freeflow	001-0002
Table Auger Left Hand - Freeflow	001-0003
Guarding And Transmissions - Freeflow	001-0004
Table Housing And Guarding - Freeflow	001-0005
Knives And Fingers - Powerflow	001-0006
Table Auger Right Hand - Powerflow	001-0007
Tabel Auger Left Hand - Powerflow	001-0008
Guarding And Transmissions - Powerflow	001-0009
Table Housing And Guarding - Powerflow	001-0010
Powerflow Band - Left Hand	001-0011
Powerflow Band - Right Hand	001-0012
Oilseed Rape Auger	001-0013
Straw Dividers	001-0014
Table Trailer - From No 0000500	001-0015
Lightening Bracket	001-0016
Electric Vertical Knife	001-0017

5180 C COMBINE - 1637438
D-ZAZA-007-B



Knives And Fingers - Freeflow

Item	Part Number	Qty	Description	Comments
1	D28283934	11	Clip	12' - 3,72M
	D28283934	13	Clip	14' - 4,34M
	D28283934	15	Clip	16' - 4,95M
2	D28230292	4	Shim	
3	D45483000	1	O Ring	[C]
4	D40551500	X	Bolt	
5	339402X1	X	Nut	M10
6	D44104700	1	Finger	Left Hand
7	D40067600	X	Screw	
8	D44104500	25	Finger	12' - 3,72M
	D44104500	27	Finger	14' - 4,34M
	D44104500	31	Finger	16' - 4,95M
9	D44104600	1	Finger	Right Hand
10	339123X1	2	Hex. Sock. Screw	M8 X 20
11	D44120500	1	Cap	
12	D28283104	1	Support	
13	339337X1	2	Hex. Sock. Screw	M8 X 30
14	D20400414	4	Washer	
15	394367X1	12	Locknut	M8
16	D28230842	1	Guard	14' - 4,34M
	D28230845	1	Guard	16' - 4,95M
17	D28230843	1	Guard	
18	D28230844	1	Guard	
	D28230845	1	Guard	
19	D28283306	2	Blade	12' - 3,72M
	D28283307	2	Blade	14' - 4,34M
	D28283308	2	Blade	16' - 4,95M
	D28283011	2	Knife Head	
20	D28281488	2	Knife Back	12' - 3,72M
	D28281489	2	Knife Back	14' - 4,34M
	D28281490	2	Knife Back	16' - 4,95M
21	D44103700	X	Section	[D]
22	D44103800	2	Half Section	
23	D41306100	X	Rivet	[D]
24	D41306200	X	Rivet	[D]
25	D44104000	2	Half Section	Left Hand
26	D58283701	1	Stone Trap	Right Hand
27	D58283704	1	Stone Trap	16' - 4.95M
28	D58283702	1	Stone Trap	Left Hand
29	D49040200	X	Ear Lifter	
30	D49040400	X	Spring	
31	339019X1	X	Hex. Sock. Screw	M10 X 50
32	D49040600	X	Roller	
33	D41017500	3	Locknut	
34	339560X1	2	Hex. Sock. Screw	M6 X 16
35	D26500317	2	Spring	(16)
	D26500317	2	Spring	(17)
	D26500317	2	Spring	(18)
36	D28230841	2	Spring	(16)
	D28230841	2	Spring	(17)
	D28230841	2	Spring	(18)
37	D58283703	1	Stone Trap	14' - 4,34M
38	D28281324	1	Wobble Drive	[B]
	D44127800	1	Box	[B]
				(38)
	D28281324	1	Wobble Drive	[C]
				(38)
	D44126500	1	Box	[C]
				(38)
39	D44128800	1	Bearing Needle	(38)
40	D44129400	1	Connector	(38)
41	D46116500	1	Valve.	(38)
42	D44129100	1	Nut	(38)
43	D44129200	1	Washer	(38)
44	D41668400	2	Bearing Roller	(38)

Knives And Fingers - Freeflow

Item	Part Number	Qty	Description	Comments
45	D44127900	1	Housing	[B] (38)
	D44126400	1	Housing	[C] (38)
46	D44128000	2	Journal	[B] (38)
	D44125900	2	Journal	[C] (38)
47	D44129300	1	Shaft	(38)
48	D44128200	1	Cover	[B] (38)
	D44126300	1	Cover	[C] (38)
49	D41102100	8	Washer	(38)
50	339123X1	6	Hex. Sock. Screw	(38) M8 X 20
51	D41669700	1	Bearing Needle	(38)
52	D45412000	1	Gasket	(38)
53	D45481500	1	O Ring	(38)
54	D44128300	1	Bearing Carrier	[B] (38)
	D44126200	1	Bearing Carrier	[C] (38)
55		1	Guard	Replace and repair. Old not interchangeable with new D58281706
56	D40697200	2	Screw	[B] (38)
	D40697700	2	Screw	[C] (38)
57	D40639600	2	Pin	[B] (38)
58	D44128400	2	Bush	[B] (38)
	D44126100	2	Bush	[C] (38)
59	D44128500	1	Yoke	[B] (38)
	D44126000	1	Yoke	[C] (38)
60	D41669800	3	Bearing Needle	(38)
61	D45409500	1	Gasket	(38)
62	D44128600	1	Plug	(38)
63	D45236200	1	Plug	(38)
64	D44127100	1	Hub	(38)
65	D41100900	1	Spring Washer	(38)
66	D40694000	1	Screw	(38)
67	D41985600	1	Belt	
68	D20400416	4	Washer	
69	D20400426	4	Washer	
70	1440716X1	4	Hex. Sock. Screw	M12 X 30
71	D28284268	2	Stop	
72	D20400441	1	Washer	
73	1441462X1	X	Locknut	Alternative D41306100 M6
74	D20400522	4	Spacer	
75	D40465400	4	Screw	
76	D28283103	1	Clamp	
77	390419X1	5	Hex. Sock. Screw	M16 X 40
78	D20400461	5	Washer	
79	D40698400	2	Screw	
80	D20400438	2	Washer	
81	1442739X1	2	Locknut	
82	339560X1	X	Hex. Sock. Screw	Alternative D41306100 M6 X 16
83	1442190X1	1	Locknut	
84	D20400428	1	Washer	
85	390826X1	1	Hex. Sock. Screw	
86	391423X1	1	Split Pin	4 X 40

Knives And Fingers - Freeflow

Item	Part Number	Qty	Description	Comments
87	D41054300	1	Nut	
88	D44126900	1	Flange	
89	D44127000	1	Swivel Arm	
90	D44127200	1	Pulley	
91	D28280986	4	Washer	
92	D28260362	X	Clip	
93	1441671X1	X	Screw Special	M10 X 50
94	D20400419	X	Washer	
95	D49040300	X	Ear Lifter	
96	D28283109	1	Support	Replace and repair. Old not interchangeable with new D58283109
97	339337X1	4	Hex. Sock. Screw	M8 X 30
98	D28284356	4	Fitting	[A]
99	D42611800	8	Pin	[A]
100	D28284257	2	Sensor	[A]
101	D28284258	2	Sensor	[A]
102	D40405300	4	Screw	[A]
103	D20400506	20	Washer	[A]
104	394367X1	2	Locknut	[A] M8
105	D28284223	4	Link	[A]
106	339009X1	4	Hex. Sock. Screw	[A] M8 X 35
107	D28284456	4	Bush	[A]
108	D28780523	2	Potentiometer	[A]
109	D40464900	2	Screw	[A]
110	D28780845	2	Rod	[A]
111	D28284234	4	Lever	[A]
112	339804X1	2	Hex. Sock. Screw	[A] M6 X 25
113	D20400404	2	Washer	[A]
114	1441462X1	2	Locknut	[A] M6
115	D28200551	4	Washer	[A]
116	D42611900	8	Pin	[A]
117	D42612300	4	Pin	[A]
118	D28284232	2	Shaft	[A]
119	D28284389	2	Spring	[A]
120	D28284222	2	Support	AUTO LEVEL 16' - 4,95M
121	339124X1	2	Hex. Sock. Screw	M8 X 16
122	D28281576	1	Plate	
123	D28281575	1	Shim	
124	D28281574	1	Plate	
125	339010X1	2	Hex. Sock. Screw	
126	D20400506	7	Washer	
127	339761X1	1	Hex. Sock. Screw	M8 X 25
128	D58281572	1	Guard	

FOOTNOTE [A] OPTIONAL EQUIPMENT AUTO LEVEL

FOOTNOTE [B] USED ONLY IN KNIFE DRIVES WITH 6 HOLES IN BEARING HOUSING BOTTOM

FOOTNOTE [C] USED ONLY IN KNIFE DRIVES WITH 8HOLES IN BEARING HOUSING BOTTOM AND BULGES SIDES

FOOTNOTE [D] OPTIONAL

5180 C COMBINE - 1637438
D-ZAZB-007-B

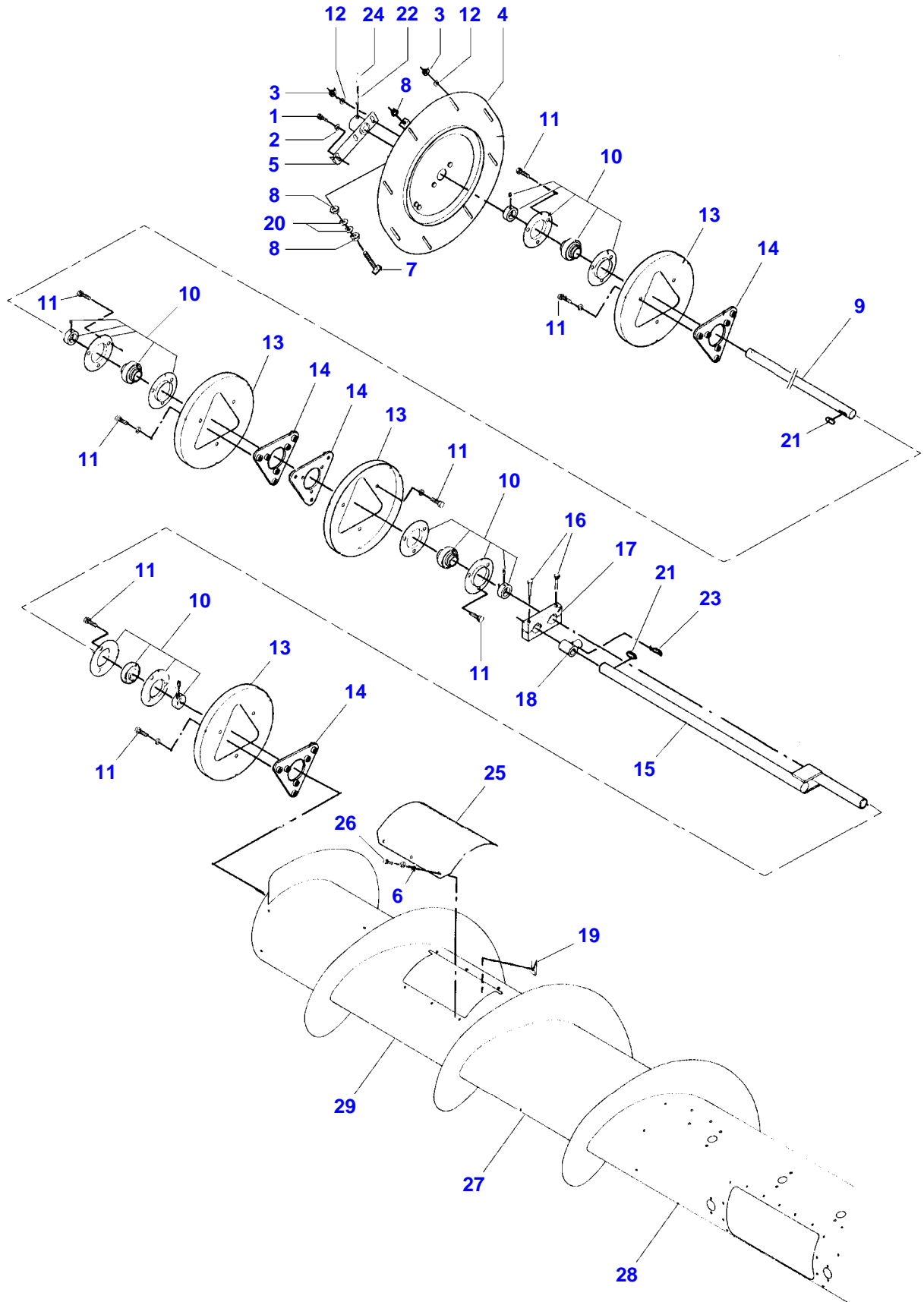
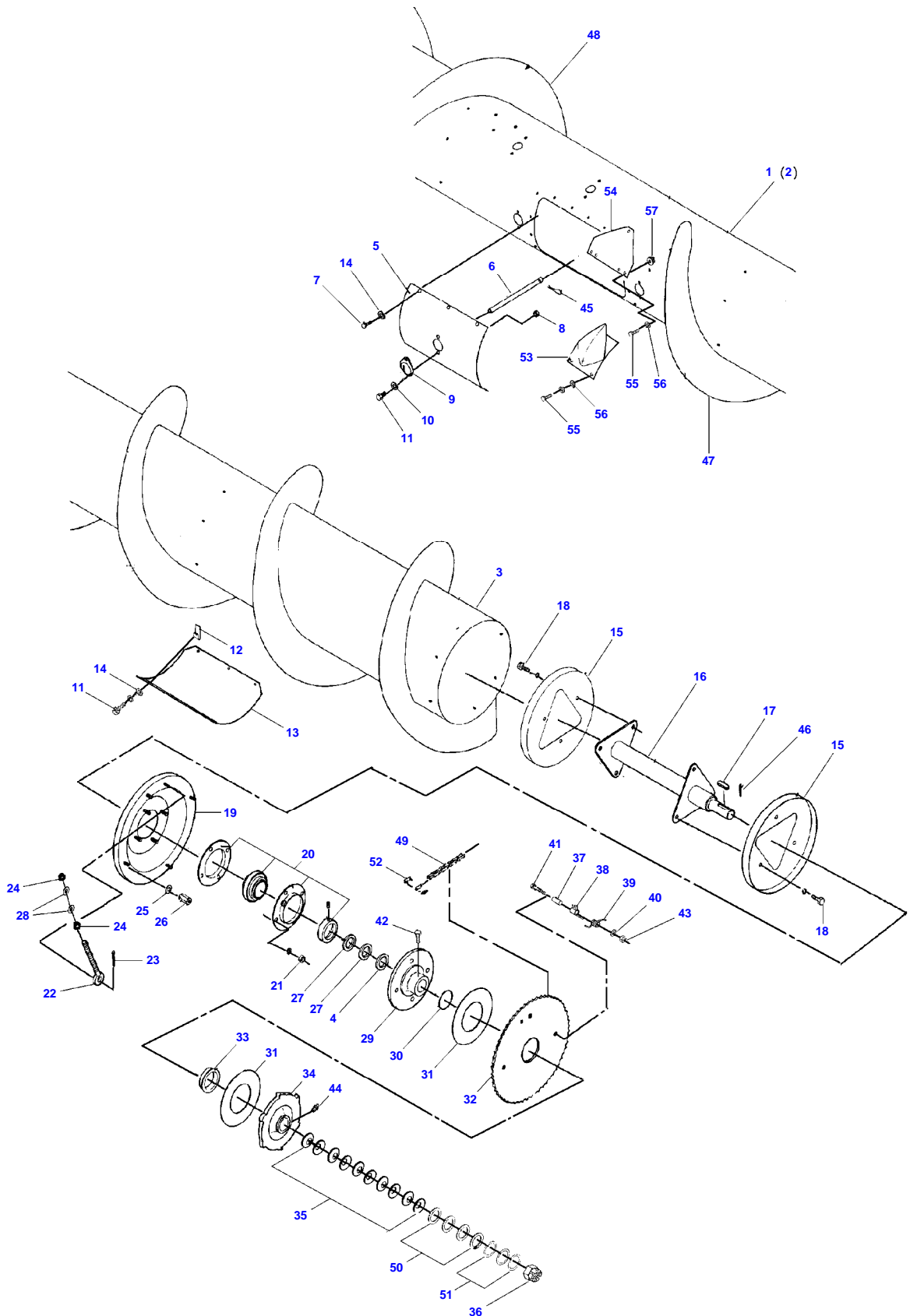


Table Auger Right Hand - Freeflow

Item	Part Number	Qty	Description	Comments
1	339124X1	1	Hex. Sock. Screw	M8 X 16
2	D20400506	1	Washer	
3	D41017500	10	Locknut	
4	D58280040	1	Plate	
5	D28283029	1	Adjuster	
6	D20400470	6	Washer	Diameter 6
7	D28211023	1	Bolt	
8	1440329X1	2	Locknut	M10
9	D28283035	1	Shaft	12' - 3,72 M
	D28283767	1	Shaft	14' - 4,34 M
	D28283768	1	Shaft	16' - 4,95 M
10	D41707800	4	Bearing	
11	339814X1	24	Hex. Sock. Screw	M10 X 35
12	D20400414	X	Washer	
13	D28280014	4	Plate	
14	D28283847	4	Bearing Plate	
15	D28283016	1	Crankshaft	
16	339556X1	2	Hex. Sock. Screw	
17	D28283039	1	Arm	
18	D28251831	15	Bearing Carrier	
19	D43428200	6	Nut	
20	D20400471	2	Washer	
21	339441X1	2	Key Parallel	10 X 8 X 40 A
22	D42625300	1	Pin	13 X 56
23	D28283853	15	Hair Pin	
24	1441645X1	1	Pin	
25	D58283070	1	Cover	
26	339666X1	6	Hex. Sock. Screw	M6 X 20
27	D58285987	1	Table Auger	12' - 3,72 M
	D58283789	1	Table Auger	14' - 4,34 M
	D58283790	1	Table Auger	16' - 4,95 M
28	D28283012	1	Body	
29	D28286008	1	Body	Right Hand 12' - 3,72 M
	D28283792	1	Body	Right Hand 14' - 4,34 M
	D28283795	1	Body	Right Hand 16' - 4,95 M

5180 C COMBINE - 1637438
D-ZAZC-007-A

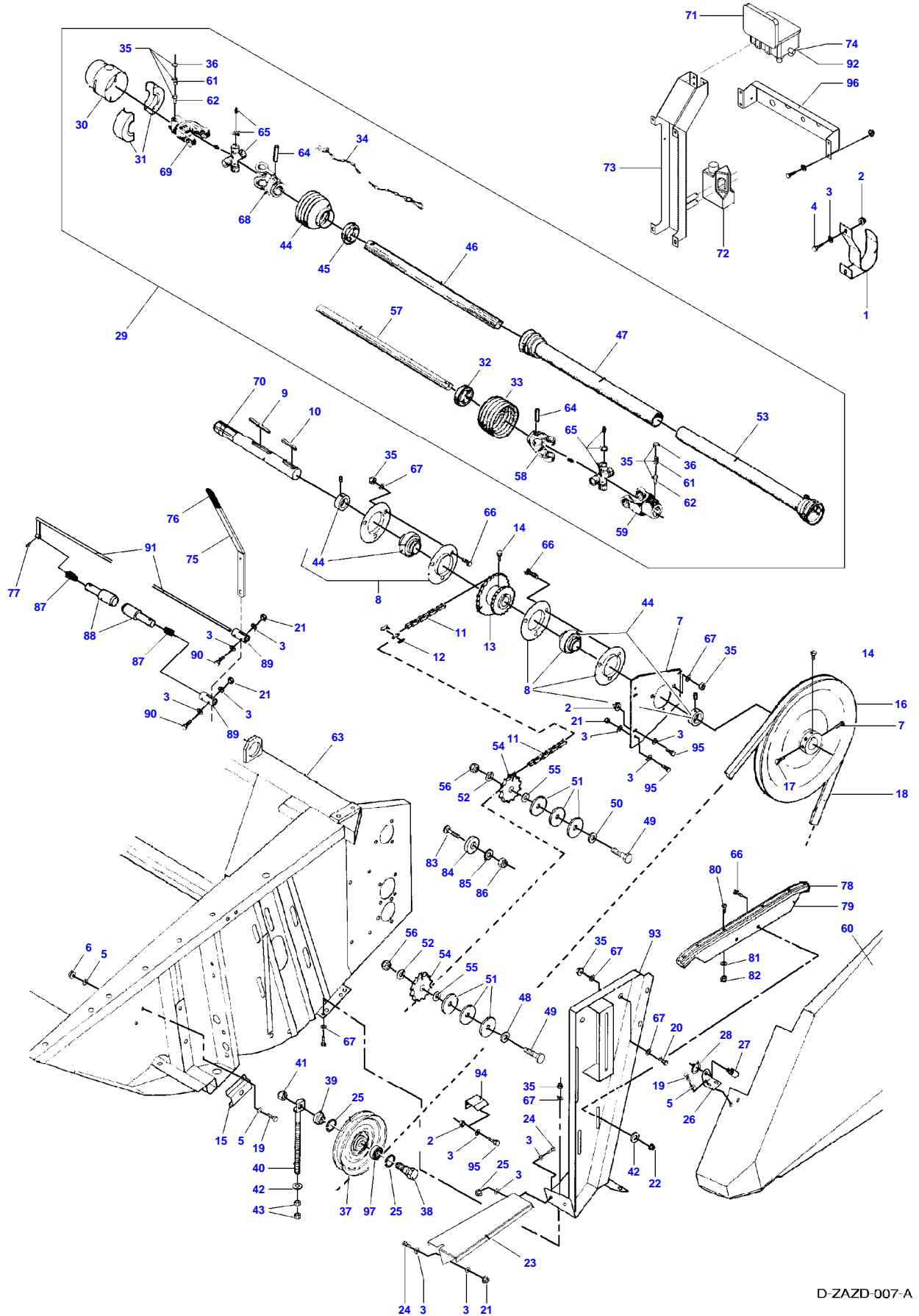


D-ZAZC-007-A

Table Auger Left Hand - Freeflow

Item	Part Number	Qty	Description	Comments
1	D58285987	1	Table Auger	12' - 3,72M
	D58283789	1	Table Auger	14' - 4,34M
	D58283790	1	Table Auger	16' - 4,95M
2	D28283012	1	Body	
3	D28285998	1	Body	Left Hand 12' - 3,72M
	D28283793	1	Body	Left Hand 14' - 4,34M
	D28283794	1	Body	Left Hand 16' - 4,95M
4	D41653500	X	Washer	OPTIONAL 40 X 50 X 1
5	D58283078	1	Cover	
6	D28283815	15	Finger	
7	339560X1	X	Hex. Sock. Screw	M6 X 16
8	1441462X1	X	Locknut	M6
9	D28283060	15	Bush	
10	D20400404	X	Washer	
11	339666X1	X	Hex. Sock. Screw	M6 X 20
12	D43428200	6	Nut	M20
13	D58283070	1	Cover	
14	D20400470	6	Washer	
15	D28280014	2	Plate	
16	D28283007	1	Drive Shaft	
17	D43106800	1	Key	
18	3009491X1	6	Hex. Sock. Screw	M10 X 20
19	D58283053	1	Plate	
20	D41716500	1	Bearing	
21	3009695X1	4	Nut	M12
22	D28281387	1	Screw	
23	3000197X1	1	Split Pin	4 X 32
24	339402X1	2	Nut	M10
25	D20400415	4	Washer	
26	D28280729	4	Nut	
27	D41653500	X	Washer	40 X 50 X 1
28	D20400471	2	Washer	
29	D28283004	1	Washer	
30	D45481600	1	O Ring	
31	D45904300	2	Facing	
32	D28286047	1	Sprocket	
33	D28286049	1	Insert	
34	D28286166	1	Clutch Disc	
35	D41112400	10	Washer	
36	D41054100	1	Castle Nut	
37	D28281431	1	Spacer	
38	D28281432	1	Support	
39	D28283006	1	Spring	
40	D20400507	1	Spacer	
41	339556X1	1	Hex. Sock. Screw	
42	339761X1	1	Hex. Sock. Screw	M8 X 25
43	1440329X1	1	Locknut	M10
44	1441858X1	1	Grease Nipple	M6
45	D28283853	15	Hair Pin	
46	391405X1	1	Split Pin	4 X 25
47	D28281448	1	Spiral	12' - 3,72M
	D28280988	1	Auger	14' - 4,34M
	D28280052	1	Auger	16' - 4,95M
48	D28281449	1	Spiral	12' - 3,72M
	D28280989	1	Auger	14' - 4,34M
	D28280054	1	Auger	16' - 4,95M
49	D42329300	1	Chain	
50	D20400520	4	Spacer	
51	D20400522	3	Spacer	
52	D42365100	1	Link	
53	D28283294	4	Spike	
54	D28281694	4	Threaded Part	
55	339123X1	20	Hex. Sock. Screw	M8 X 20
56	D20400506	20	Washer	
57	394367X1	12	Locknut	M8

5180 C COMBINE - 1637438
D-ZAZD-007-A



D-ZAZD-007-A

Item	Part Number	Qty	Description	Comments
1	D58281345	1	Stirrup	
2	394367X1	X	Locknut	
3	D20400506	X	Washer	
4	339124X1	X	Hex. Sock. Screw	M8 X 16
5	391038X1	X	Washer	
6	1441462X1	X	Locknut	M6
7	D58283099	1	Bearing Carrier	
8	D41707800	2	Bearing	
9	D43114900	1	Key	
10	1441579X1	1	Key Parallel	10 X 8 X 56
11	D42329300	1	Chain	
12	D42365100	1	Link	
13	D28280225	1	Sprocket	
14	D40697900	1	Screw	
15	D28281578	1	Retainer	
16	D28285423	1	Pulley	
17	D40697900	2	Screw	M10 X 25
18	D41985600	1	Belt	
19	339666X1	X	Hex. Sock. Screw	M6 X 20
20	3009492X1	4	Hex. Sock. Screw	M10 X 25
21	394367X1	X	Locknut	M8
22	1440329X1	X	Locknut	M10
23	D28281570	1	Plate	
24	339761X1	3	Hex. Sock. Screw	M8 X 25
25	339199X1	2	Circlip	47 X 1,75
26	D28281577	1	Angle.	
27	D43427500	1	Pin	
28	1440988X1	1	Circlip	
29	D45608800	1	Shaft	12' - 3,72M
	D45608900	1	Shaft	14' - 4,34M
	D45609000	1	Shaft	16' - 4,95M
30	D45632900	1	Bush	
31	D45633000	1	Ring	
32	D45630700	1	Ring	
33	D45630500	1	Guard	
34	D45681800	2	Chain	
35	D45632400	2	Tube	
36	D45645700	2	Washer	
37	D28760574	1	Pulley	Valid from machine/table no,can be used in new as well as in older machines 938215
38	D28760156	1	Screw	
39	D28760155	1	Bush	
40	D28260181	1	Bolt	
41	1442739X1	X	Locknut	
42	D20400416	X	Washer	
43	339402X1	X	Nut	M10
44	D45630400	1	Guard	
45	D45630600	1	Ring	
46	D45632800	1	Tube	16' - 4,95M
47	D45632600	1	Tube	16' - 4,95M
48	D28181284	1	Washer	
49	391889X1	2	Hex. Sock. Screw	M16 X 70
50	D20400463	1	Washer	
51	D20400460	6	Washer	
52	D20400459	2	Washer	
53	D45632100	1	Tube	14' - 4,34M
	D45632500	1	Tube	16' - 4,95M
54	D41716800	2	Tightener	
55	D20400516	X	Spacer	OPTIONAL
56	D41087900	2	Locknut	M16
57	D45632700	1	Tube	16' - 4,95M
58	D45630100	1	Yoke	
59	D45633200	1	Yoke	
60	D58281583	1	Guard	
61	D45667300	2	Spring	
62	D45665300	2	Pin	
63	D58286022	1	Table	12' - 3,72M

Item	Part Number	Qty	Description	Comments
	D58285501	1	Table Housing	14' - 4,34M
	D58285502	1	Table Housing	16' - 4,95M
64	D42619100	2	Pin	
65	D45630300	2	Hub	
66	D40066800	8	Screw Special	M10 X 30
67	D20400419	X	Washer	
68	D45630200	1	Yoke	
69	D45633100	1	Yoke	
70	D28284404	1	Shaft	
71	D28785641	1	Clutch	[A]
72	D45148900	1	Container	[A]
73	D28285296	1	Bracket	[A]
74	D45140037	2	Screw	[A]
75	D28285536	1	Lever	
76	D43484900	1	Lever	
77	D42612200	X	Pin	
78	D28280787	1	Rail	
79	D28281365	1	Crossmember	Replace and repair. Old not interchangeable with new D58281365
80	D40609300	6	Screw	
81	D20400466	6	Washer	4,3 X 9 X 0,8
82	D41087200	6	Locknut	M4
83	D40073100	1	Screw	
84	D28280981	1	Spacer	
85	D20400459	1	Washer	
86	1442739X1	1	Locknut	
87	D27100794	2	Spring	
88	D28283200	1	Shaft	
89	D28285535	2	Fork	
90	339168X1	X	Hex. Sock. Screw	M8 X 50
91	D28285531	1	Journal	
92	D45140038	2	Ring	[A]
93	D58283090	1	Plate	
94	D58283098	1	Fitting	
95	339123X1	X	Hex. Sock. Screw	M8 X 20
96	D58285215	1	Bracket	
97	339599X1	1	Bear. 6204 2rs	Valid from machine/table no,can be used in new as well as in older machines 938215

FOOTNOTE [A] OPTIONAL EQUIPMENT

5180 C COMBINE - 1637438
D-ZAZE-007-C

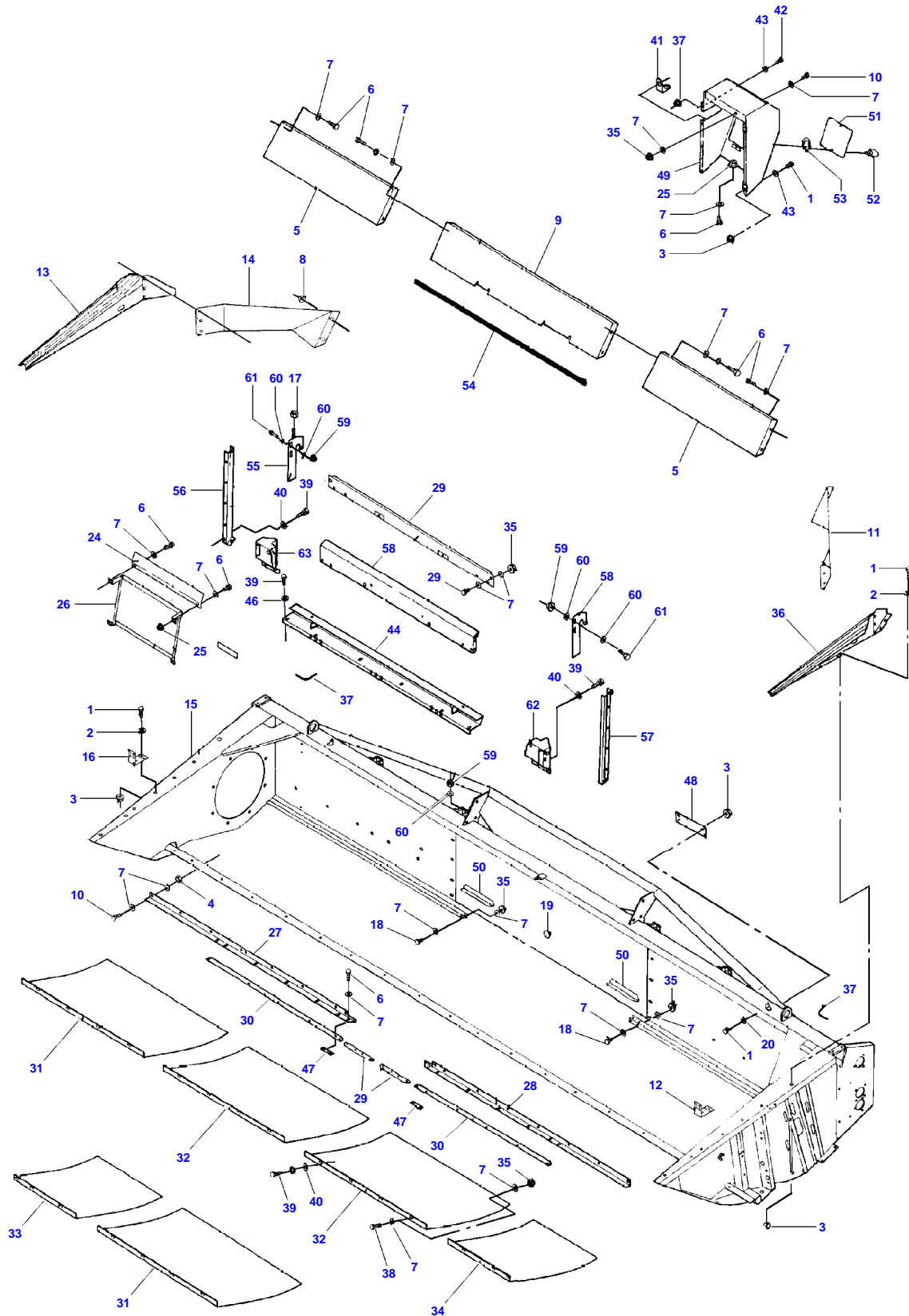


Table Housing And Guarding - Freeflow

Item	Part Number	Qty	Description	Comments
1	339560X1	X	Hex. Sock. Screw	M6 X 16
2	391038X1	X	Washer	
3	1441462X1	X	Locknut	M6
4	339169X1	X	Nut	M8
5	D58283429	2	Cowl	12' - 3,72M
	D58283428	2	Cowl	14' - 4,34M
	D58283427	2	Cowl	16' - 4,95M
6	339123X1	X	Hex. Sock. Screw	M8 X 20
7	D20400506	X	Washer	
8	394367X1	X	Locknut	
9	D58283236	1	Cowl	
10	339761X1	X	Hex. Sock. Screw	M8 X 25
11	D58283233	1	Cowl	Left Hand
12	D28780381	1	Retainer	[B]
13	D58283516	1	Side	Right Hand
14	D58283232	1	Cowl	Right Hand
15	D58286022	1	Table	12' - 3,72M
	D58285501	1	Table Housing	14' - 4,34M
	D58285502	1	Table Housing	16' - 4,95M
16	D28780381	2	Retainer	[C]
17	339034X1	1	Nut	M16
18	339337X1	4	Hex. Sock. Screw	M8 X 30
19	D45745300	X	Plug	
20	D20400404	X	Washer	
21	339124X1	2	Hex. Sock. Screw	[A,D] M8 X 16
22	D28284249	1	Plate	[A,D]
23	D20400506	2	Washer	[A,D]
24	D58285765	1	Protector	12' - 3,72M
	D58285764	1	Protector	14' - 16' 4,34M - 4,95M
25	394367X1	X	Locknut	
26	D58285769	1	Bracket	12' - 3,72M
	D58285768	1	Bracket	14' - 16' 4,34M - 4,95M
27	D28282206	1	Deflector	Right Hand 12' - 3,72M Replace and repair. Old interchangeable with new D58281804
	D28282208	1	Deflector	Right Hand 14' - 4,34M Replace and repair. Old interchangeable with new D58282208
	D28281802	1	Deflector	Right Hand 16' - 4,95M Replace and repair. Old interchangeable with new D58281802
28	D28282205	1	Deflector	Left Hand 12' - 3,72M Replace and repair. Old interchangeable with new D58281803
	D28282207	1	Deflector	Left Hand 14' - 4,34M Replace and repair. Old interchangeable with new D58282207
	D28281801	1	Deflector	Left Hand 16' - 4,95M Replace and repair. Old interchangeable with new D58281801
29	D58285218	1	Plate	[A] 14' - 16' 4,34M - 4,95M
30	D28283241	2	Deflector	12' - 3,72M
	D28283327	2	Deflector	14' - 4,34M Replace and repair. Old interchangeable with new D58283327
	D28283326	2	Deflector	16' - 4,95M
31	D28283256	2	Wearplate	12' - 3,72M Replace and repair. Old interchangeable with new D58283256
	D28283256	1	Wearplate	14' - 4,34M Replace and repair. Old interchangeable with new D58283256
	D28283256	3	Wearplate	16' - 4,95M Replace and repair. Old interchangeable with new D58283256
32	D28283255	2	Wearplate	14' - 18' 4,34M - 5,56M Replace and repair. Old interchangeable with new D58283255
33	D28283253	1	Wearplate	Right Hand
34	D28283254	1	Wearplate	Left Hand Replace and repair. Old interchangeable with new D58283254
35	394367X1	X	Locknut	M8

Table Housing And Guarding - Freeflow

Item	Part Number	Qty	Description	Comments
36	D58283938	1	Plate	Left Hand
37	D28782178	X	Seal Section	Length 5 M
38	D40405300	X	Screw	
39	3009493X1	X	Hex. Sock. Screw	M10 X 30
40	D20400419	X	Washer	
41	D58250648	1	Clip	
42	339666X1	5	Hex. Sock. Screw	M6 X 20
43	D20400405	5	Washer	
44	D58285529	1	Profile	
46	D20400415	8	Washer	
47	D28283321	2	Clamp	16' - 4,95M
48	D58285613	1	Cover	
49	D58284331	1	Guard	
50		2	Deflector	Replace and repair. Old interchangeable with new D58283406
51	D58280958	1	Cover	
52	D43427500	2	Pin	
53	1440988X1	2	Circlip	
54	D28283557	X	Tensioner	
55	D58285738	1	Hook	
56	D58285775	1	Support	Right Hand
57	D58285776	1	Support	Left Hand
58	D58285739	1	Hook	
59	1442739X1	5	Locknut	
60	D28181284	9	Washer	
61	339881X1	4	Hex. Sock. Screw	M16 X 60
62	D58285756	1	Bracket	
63	D58285752	1	Bracket	

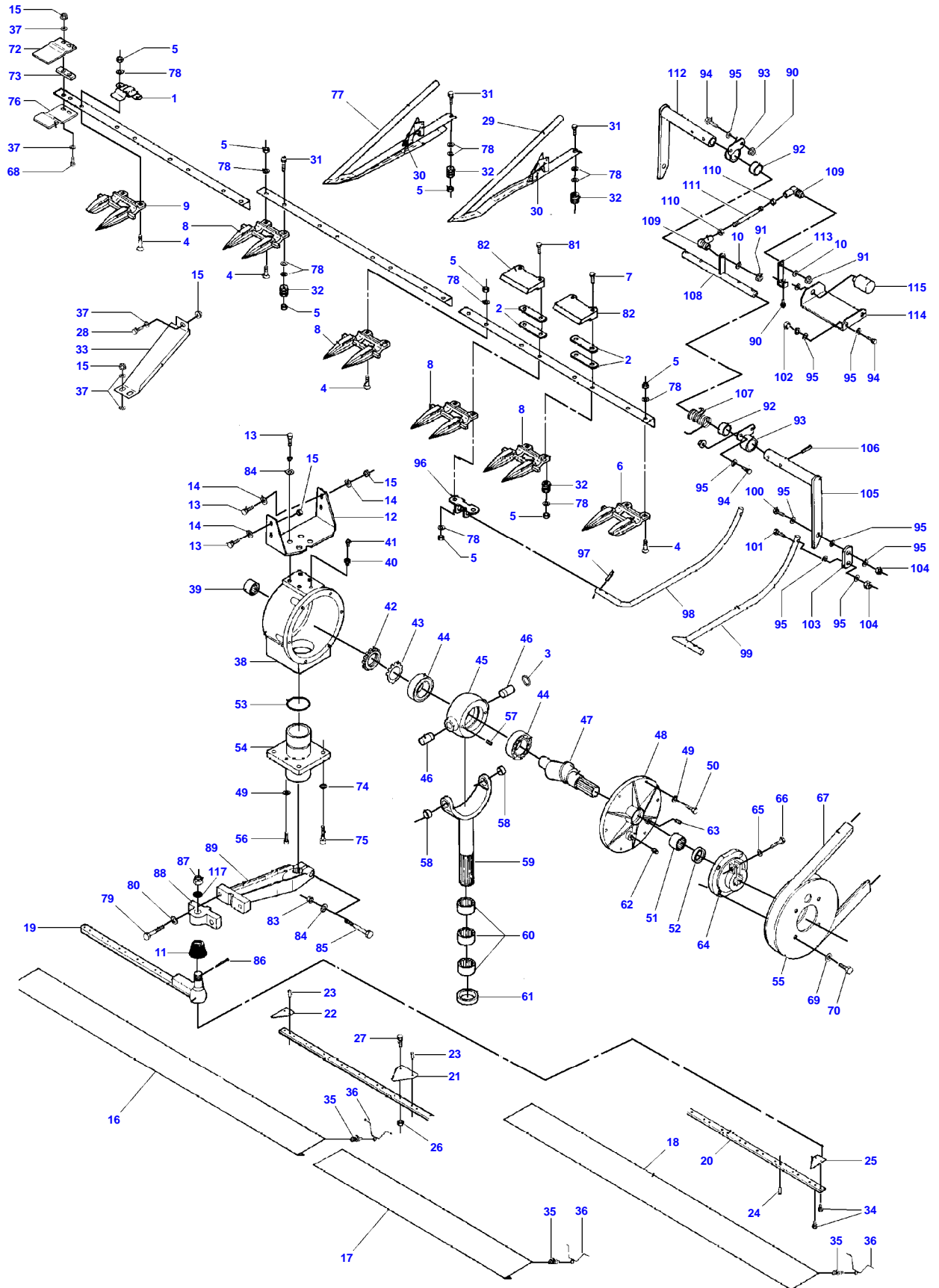
FOOTNOTE [A] OPTIONAL EQUIPMENT AUTO LEVEL

FOOTNOTE [B] OPTIONAL EQUIPMENT ELECTRIC - VERTICAL KNIFE LEFT

FOOTNOTE [C] OPTIONAL EQUIPMENT ELECTRIC VERTICAL KNIFE RIGHT

FOOTNOTE [D] NOT ILLUSTRATED

5180 C COMBINE - 1637438
D-ZAZF-007-C



Knives And Fingers - Powerflow

Item	Part Number	Qty	Description	Comments
1	D28283934	13	Clip	12' - 3,72M
	D28283934	13	Clip	14' - 4,34M
	D28283934	15	Clip	16' - 4,95M
2	D28230292	4	Shim	
3	D45483000	1	O Ring	[C]
4	D40551500	X	Bolt	
5	339402X1	X	Nut	M10
6	D44104700	1	Finger	Left Hand
7	D40067600	X	Screw	
8	D44104500	27	Finger	12' - 3,72M
	D44104500	27	Finger	14' - 4,34M
	D44104500	31	Finger	16' - 4,95M
9	D44104600	1	Finger	Right Hand
10	D20400404	4	Washer	
11	D44120500	1	Cap	
12	D28283104	1	Support	From Serial or Engine Number 939560
13	339337X1	8	Hex. Sock. Screw	M8 X 30
14	D20400414	4	Washer	
15	394367X1	7	Locknut	M8
16	D28230842	1	Guard	14' - 4,34M
	D28230845	1	Guard	16' - 4,95M
17	D28230843	1	Guard	14' - 20' 4,34M - 6,16M
18	D28230844	1	Guard	
19	D28283006	2	Spring	12' - 3,72M
	D28283307	2	Blade	14' - 4,34M
	D28283308	2	Blade	16' - 4,95M
	D28283011	2	Knife Head	
20	D28281488	2	Knife Back	12' - 3,72M
	D28281489	2	Knife Back	14' - 4,34M
	D28281490	2	Knife Back	16' - 4,95M
21	D44103700	X	Section	
22	D44103800	X	Half Section	Right Hand
23	D41306100	X	Rivet	
24	D41306200	X	Rivet	
25	D44104000	1	Half Section	Left Hand
26	1441462X1	X	Locknut	Alternative D41306100 M6
27	339560X1	X	Hex. Sock. Screw	Alternative D41306100 M6 X 16
28	339761X1	1	Hex. Sock. Screw	M8 X 25
29	D49040200	X	Ear Lifter	
30	D49040400	X	Spring	
31	339019X1	X	Hex. Sock. Screw	M10 X 50
32	D49040600	15	Roller	12' - 3,72M
	D49040600	15	Roller	14' - 4,34M
	D49040600	17	Roller	16' - 4,95M
33	D58281572	1	Guard	
34	339560X1	2	Hex. Sock. Screw	M6 X 16
35	D26500317	4	Spring	(16)
	D26500317	4	Spring	(17)
	D26500317	4	Spring	(18)
36	D28230841	4	Spring	(16)
	D28230841	4	Spring	(17)
	D28230841	4	Spring	(18)
37	D20400506	5	Washer	
38	D28281324	1	Wobble Drive	[B]
	D44127800	1	Box	[B] (38)
	D28281324	1	Wobble Drive	[C] (38)
	D44126500	1	Box	[C] (38)
39	D44128800	1	Bearing Needle	(38)
40	D44129400	1	Connector	(38)
41	D46116500	1	Valve.	(38)

Knives And Fingers - Powerflow

Item	Part Number	Qty	Description	Comments
42	D44129100	1	Nut	(38)
43	D44129200	1	Washer	(38)
44	D41668400	2	Bearing Roller	(38)
45	D44127900	1	Housing	[B] (38)
	D44126400	1	Housing	[C] (38)
46	D44128000	2	Journal	[B] (38)
	D44125900	2	Journal	[C] (38)
47	D44129300	1	Shaft	(38)
48	D44128200	1	Cover	[B] (38)
	D44126300	1	Cover	[C] (38)
49	D41102100	8	Washer	(38)
50	339123X1	6	Hex. Sock. Screw	A8 (38) M8 X 20
51	D41669700	1	Bearing Needle	(38)
52	D45412000	1	Gasket	(38)
53	D45481500	1	O Ring	(38)
54	D44128300	1	Bearing Carrier	[B] (38)
	D44126200	1	Bearing Carrier	[C] (38)
55	D44127200	1	Pulley	(38)
56	D40697200	2	Screw	A8 [B] (38)
	D40697700	2	Screw	[C] (38)
57	D40639600	2	Pin	[B] (38)
58	D44128400	2	Bush	[B] (38)
	D44126100	2	Bush	[C] (38)
59	D44128500	1	Yoke	[B] (38)
	D44126000	1	Yoke	[C] (38)
60	D41669800	3	Bearing Needle	(38)
61	D45409500	1	Gasket	(38)
62	D44128600	1	Plug	(38)
63	D45236200	1	Plug	(38)
64	D44127100	1	Hub	(38)
65	D41100900	1	Spring Washer	(38)
66	D40694000	1	Screw	(38)
67	D41986300	1	V Belt	
68	339010X1	2	Hex. Sock. Screw	
69	D20400426	4	Washer	
70	1440716X1	4	Hex. Sock. Screw	M12 X 30
71	D40405300	2	Screw	[E]
72	D28281574	1	Plate	
73	D28281575	1	Shim	
74	D20400522	4	Spacer	
75	D40465100	4	Screw	
76	D28281576	1	Plate	
77	D49040300	X	Ear Lifter	
78	D20400419	X	Washer	
79	D40698400	2	Screw	
80	D20400523	4	Spacer	
81	1441671X1	X	Screw Special	M10 X 50
82	D28260362	2	Clip	
83	1442190X1	1	Locknut	

Knives And Fingers - Powerflow

Item	Part Number	Qty	Description	Comments
84	D28280986	4	Washer	
85	390826X1	1	Hex. Sock. Screw	
86	391423X1	1	Split Pin	4 X 40
87	D41054300	1	Nut	
88	D44126900	1	Flange	
89	D44127000	1	Swivel Arm	
90	394367X1	8	Locknut	[A]
91	D41088800	2	Locknut	[A] M6
92	D28284456	4	Bush	[A]
93	D28284458	4	Bearing Bush	[A]
94	339123X1	12	Hex. Sock. Screw	[A] M8 X 20
95	D20400506	36	Washer	[A]
96	D28284356	4	Fitting	[A]
97	D42611800	8	Pin	[A]
98	D28284259	2	Sensor	[A]
99	D28284260	2	Sensor	[A]
100	339337X1	4	Hex. Sock. Screw	[A] M8 X 30
101	D40405300	4	Screw	[A]
102	339169X1	4	Nut	[A] M8
103	D28284363	4	Link	[A]
104	394367X1	8	Locknut	[A] M8
105	D28284227	2	Lever	[A] Left Hand
106	D42611900	8	Pin	[A]
107	D28281693	2	Spring	[A]
108	D28284232	2	Shaft	[A]
109	D46437300	4	Toggle	[A]
110	D41010600	4	Nut	[A] M6
111	D28780446	2	Rod	[A]
112	D28284226	2	Lever	[A] Right Hand
113	D28284361	2	Connecting Link	[A]
114	D28284360	2	Plate	[A]
115	D28780523	2	Potentiometer	[A]
116	D40464900	2	Screw	[A,E]
117	D20400438	1	Washer	

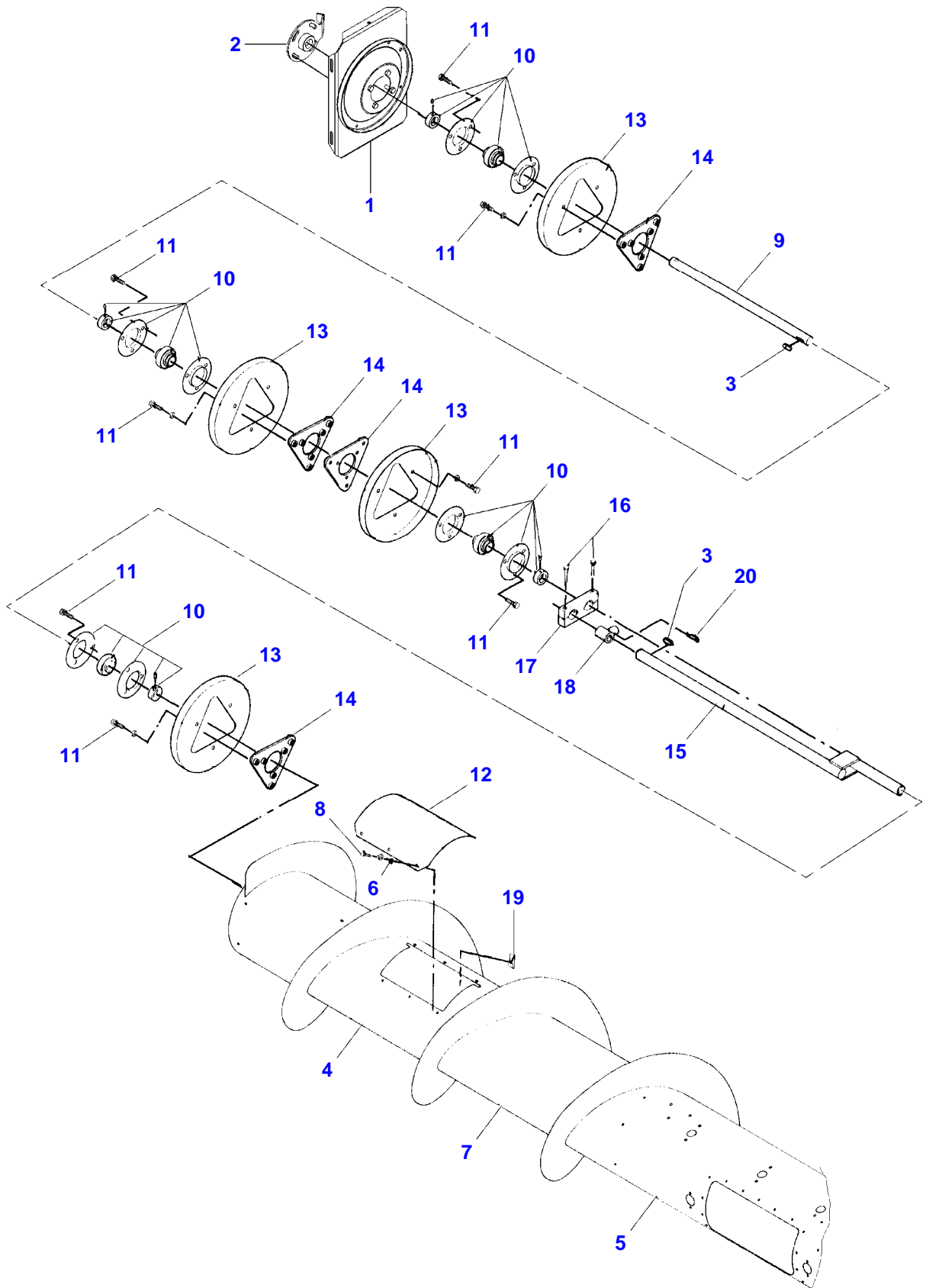
FOOTNOTE [A] OPTIONAL EQUIPMENT AUTO LEVEL

FOOTNOTE [B] USED ONLY IN KNIFE DRIVES WITH 6 HOLES IN BEARING HOUSING BOTTOM

FOOTNOTE [C] USED ONLY IN KNIFE DRIVES WITH 8HOLES IN BEARING HOUSING BOTTOM AND BULGES SIDES

FOOTNOTE [E] NOT ILLUSTRATED

5180 C COMBINE - 1637438
D-ZAZG-008-A



D-ZAZG-008-A

Thank you so much for reading.
Please click the “Buy Now!”
button below to download the
complete manual.



After you pay.

You can download the most
perfect and complete manual in
the world immediately.

Our support email:

ebooklibonline@outlook.com