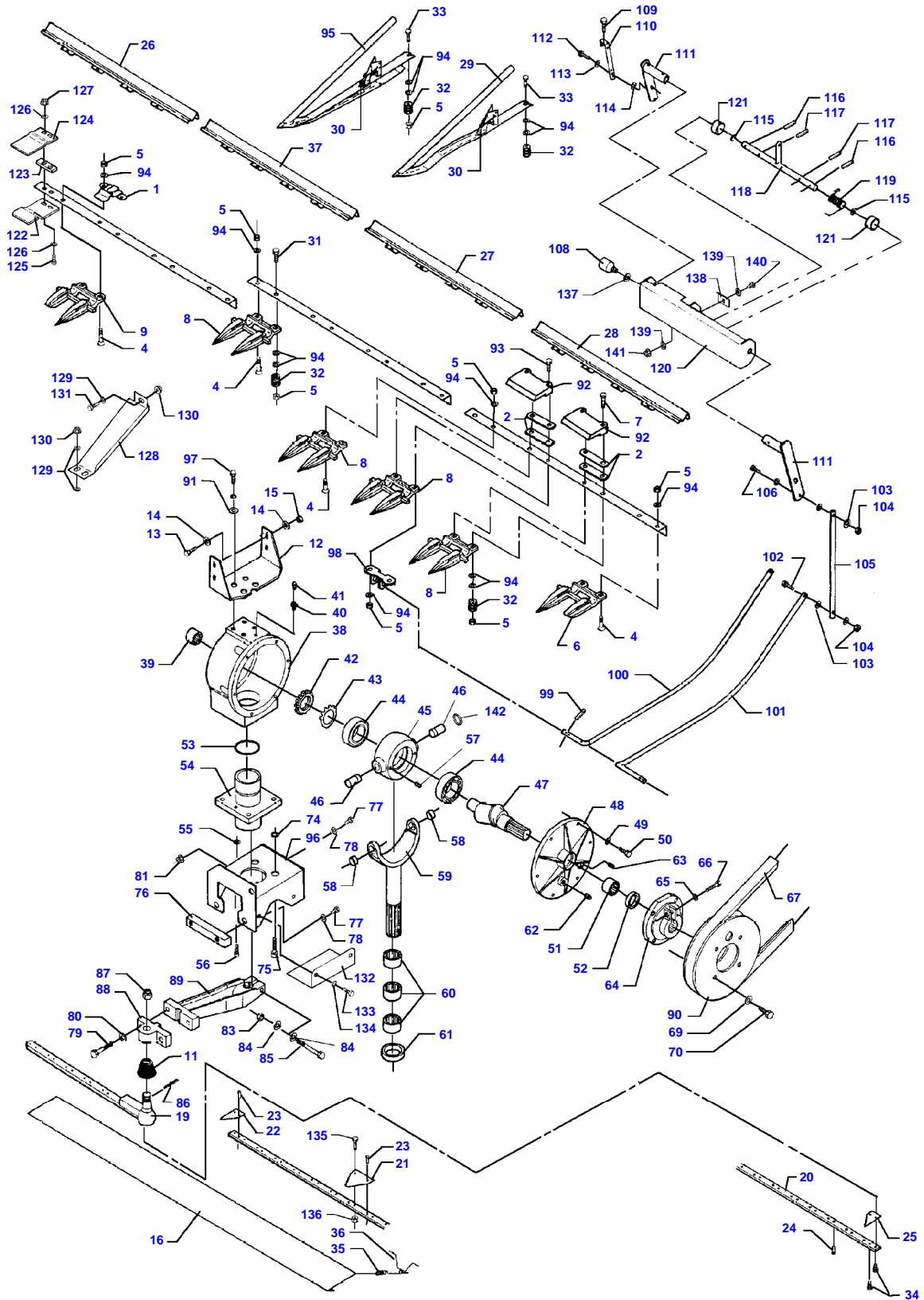


Page Title	Page Number
Knives And Fingers - Freeflow - 14' - 20'	001-0001
Table Auger Right Hand - Freeflow - 14' - 20'	001-0002
Table Auger Left Hand - Freeflow - 14' - 20'	001-0003
Guarding And Transmissions - Freeflow - 14' - 20'	001-0004
Table Housing And Guarding - Freeflow - 22'	001-0005
Knives And Fingers - Powerflow - 14' - 20'	001-0006
Table Auger Right Hand - Powerflow - 14' - 20'	001-0007
Tabel Auger Left Hand - Powerflow - 14' - 20'	001-0008
Guarding And Transmissions - Powerflow - 14' - 20'	001-0009
Table Housing And Guarding - Powerflow - 14' - 20'	001-0010
Powerflow Band - Left Hand - 14' - 20'	001-0011
Powerflow Band - Right Hand - 14' - 20'	001-0012
Oilseed Rape Auger	001-0013
Straw Dividers	001-0014
Table Trailer	001-0015
Lightening Bracket - UP TO NO. 7374033	001-0016
Electric Vertical Knife	001-0017
Knives And Fingers - Freeflow - 22'	001-0018
Table Auger Right Hand - Freeflow - 22'	001-0019
Table Auger Left Hand - Freeflow - 22'	001-0020
Guarding And Transmissions - Freeflow - 22'	001-0021
Table Housing And Guarding - Freeflow - 14' - 20'	001-0022
Knives And Fingers - Powerflow - 22'	001-0023
Table Auger Right Hand - Powerflow - 22'	001-0024
Tabel Auger Left Hand - Powerflow - 22'	001-0025
Table Housing And Guarding - Powerflow - 22'	001-0026
Guarding And Transmissions - Powerflow - 22'	001-0027
Powerflow Band - Left Hand - 20-22'	001-0028
Powerflow Band - Right Hand - 22'	001-0029

6280 COMBINE - 1637488
D-ZAZA-003-B



Knives And Fingers - Freeflow - 14' - 20'

Item	Part Number	Qty	Description	Comments
1	D28283934	13	Clip	14' - 4,34M
	D28283934	15	Clip	16' - 4,95M
	D28283934	17	Clip	18' - 5,56M
	D28283934	19	Clip	20' - 6,16M
2	D28230292	4	Shim	
4	D40551500	X	Bolt	
5	339402X1	X	Nut	M10
6	D44104700	1	Finger	Left Hand
7	D40067600	X	Screw	
8	D44104500	27	Finger	14' - 4,34M
	D44104500	31	Finger	16' - 4,95M
	D44104500	35	Finger	18' - 5,56M
	D44104500	39	Finger	20' - 6,16M
9	D44104600	1	Finger	Right Hand
11	D44120500	1	Cap	
12	D28283104	1	Support	Up to Serial or Engine Number 939559
13	339337X1	2	Hex. Sock. Screw	M8 X 30
14	D20400414	4	Washer	
15	394367X1	2	Locknut	M8
16	D28230830	1	Guard	14' - 4,34M
	D28230830	2	Guard	18' - 5,56M
	D28230831	1	Guard	14' - 20' 4,34M - 6,16M
	D28200314	1	Guard	16' - 20' 4,95M - 6,16M
	D28200738	1	Guard	16' - 20' 4,95M - 6,16M
19	D28283009	2	Blade	18' - 5,56M
	D28283010	2	Blade	20' - 6,16M
	D28283307	2	Blade	14' - 4,34M
	D28283308	2	Blade	16' - 4,95M
	D28283011	2	Knife Head	
20	D28281490	2	Knife Back	16' - 4,95M
	D28281491	2	Knife Back	18' - 5,56M
	D28281492	2	Knife Back	20' - 6,16M
	D28281489	2	Knife Back	14' - 4,34M
21	D44103700	X	Section	OPTIONAL
22	D44103800	2	Half Section	
23	D41306100	X	Rivet	[D]
24	D41306200	X	Rivet	[D]
25	D44104000	2	Half Section	Left Hand
26	D58283701	1	Stone Trap	Right Hand
27	D58283705	1	Stone Trap	18' - 5,56M
	D58283706	1	Stone Trap	20' - 6,16M
28	D58283702	1	Stone Trap	Left Hand
29	D49040900	X	Ear Lifter	
30	D49040400	X	Spring	
31	339019X1	X	Hex. Sock. Screw	M10 X 50
32	D49040600	X	Roller	
33	339019X1	X	Hex. Sock. Screw	M10 X 50
34	339560X1	2	Hex. Sock. Screw	M6 X 16
35	D26500317	2	Spring	(16)
36	D28230841	2	Spring	(16)
37	D58283703	1	Stone Trap	14' - 4,34M
	D18283704	1	Stone Trap	16' - 4,95M
38	D28281324	1	Wobble Drive	[B] Cpl.
	D44127800	1	Box	[B] (38)
	D28281324	1	Wobble Drive	[C] (38)
	D44126500	1	Box	[C] (38)
39	D44128800	1	Bearing Needle	(38)
40	D44129400	1	Connector	(38)
41	D46116500	1	Valve.	(38)

Item	Part Number	Qty	Description	Comments
42	D44129100	1	Nut	(38)
43	D44129200	1	Washer	(38)
44	D41668400	2	Bearing Roller	(38)
45	D44127900	1	Housing	[B] (38)
	D44126400	1	Housing	[C] (38)
46	D44128000	2	Journal	[B] (38)
	D44125900	2	Journal	[C] (38)
47	D44129300	1	Shaft	(38)
48	D44128200	1	Cover	[B] (38)
	D44126300	1	Cover	[C] (38)
49	D41102100	6	Washer	(38)
50	339123X1	6	Hex. Sock. Screw	A8 (38) M8 X 20
51	D41669700	1	Bearing Needle	(38)
52	D45412000	1	Gasket	(38)
53	D45481500	1	O Ring	(38)
54	D44128300	1	Bearing Carrier	[B] (38)
	D44126200	1	Bearing Carrier	[C] (38)
55	D41102100	2	Washer	(38)
56	D40697200	2	Screw	A8 [B] (38)
	D40697700	2	Screw	[C] (38)
57	D40639600	2	Pin	[B] (38)
58	D44128400	2	Bush	[B] (38)
	D44126100	2	Bush	[C] (38)
59	D44128500	1	Yoke	[B] (38)
	D44126000	1	Yoke	[C] (38)
60	D41669800	3	Bearing Needle	(38)
61	D45409500	1	Gasket	(38)
62	D44128600	1	Plug	(38)
63	D45236200	1	Plug	(38)
64	D44127100	1	Hub	(38)
65	D41100900	1	Spring Washer	(38)
66	D40694000	1	Screw	(38)
67	D41985600	1	Belt	
69	D20400426	4	Washer	
70	1440716X1	4	Hex. Sock. Screw	M12 X 30
74	D20400522	4	Spacer	
75	D40465400	4	Screw	
76	D28283103	1	Clamp	
77	390419X1	5	Hex. Sock. Screw	M16 X 40
78	D20400461	5	Washer	
79	D40698400	2	Screw	
80	D20400438	2	Washer	
81	1442739X1	2	Locknut	M16
83	1442190X1	1	Locknut	M12
84	D20400426	2	Washer	
85	390826X1	1	Hex. Sock. Screw	M12 X 90
86	391423X1	1	Split Pin	Diameter 4 X 40
87	D41054300	1	Nut	
88	D44126900	1	Flange	

Knives And Fingers - Freeflow - 14' - 20'

Item	Part Number	Qty	Description	Comments
89	D44127000	1	Swivel Arm	
90	D44127200	1	Pulley	
91	D28280986	4	Washer	
92	D28260362	X	Clip	
93	1441671X1	X	Screw Special	M10 X 50
94	D20400419	X	Washer	
95	D49040300	X	Ear Lifter	
96	D28283109	1	Support	
97	339337X1	4	Hex. Sock. Screw	M8 X 30
98	D28284356	4	Fitting	[A]
99	339662X1	8	Pin	[A]
100	D28284257	2	Sensor	[A]
101	D28284258	2	Sensor	[A]
102	D40405300	4	Screw	[A]
103	D20400506	20	Washer	[A]
104	394367X1	8	Locknut	[A] M8
105	D28284223	4	Link	[A]
106	339009X1	4	Hex. Sock. Screw	[A] M8 X 35
108	D28780523	2	Potentiometer	[A]
109	D40464900	2	Screw	[A]
110	D28780845	2	Rod	[A]
111	D28284225	4	Lever	AUTO LEVEL 18' - 5,56M
	D28284234	4	Lever	[A]
112	339804X1	2	Hex. Sock. Screw	[A] M6 X 25
113	D20400404	2	Washer	[A]
114	1441462X1	2	Locknut	[A] M6
115	D28200551	4	Washer	[A]
116	D42611900	8	Pin	[A]
117	339052X1	4	Pin	[A]
118	D28284232	2	Shaft	[A]
119	D28284389	2	Spring	[A]
120	D28284222	2	Support	AUTO LEVEL 16' - 4,95M
	D28284229	2	Support	AUTO LEVEL 18' - 5,56M
121	D28284456	4	Bush	[A]
122	D28281576	1	Plate	
123	D28281575	1	Shim	
124	D28281574	1	Plate	
125	339010X1	2	Hex. Sock. Screw	M8 X 40
126	D20400506	2	Washer	
127	394367X1	2	Locknut	M8
128	D58281572	1	Guard	
129	D20400506	3	Washer	
130	D41017500	3	Locknut	
131	339761X1	1	Hex. Sock. Screw	M8 X 25
132	D28281706	1	Guard	
133	339124X1	2	Hex. Sock. Screw	M8 X 16
134	D20400506	2	Washer	
135	339560X1	X	Hex. Sock. Screw	M6 X 16
136	1441462X1	X	Locknut	M6
137	D20400441	1	Washer	
138	D28284268	2	Stop	
139	D20400416	4	Washer	
140	339123X1	2	Hex. Sock. Screw	M8 X 20
141	394367X1	2	Locknut	M8
142	D45483000	1	O Ring	[C]

FOOTNOTE [A] OPTIONAL EQUIPMENT AUTO LEVEL

FOOTNOTE [B] USED ONLY IN KNIFE DRIVES WITH 6 HOLES IN BEARING HOUSING BOTTOM

FOOTNOTE [C] USED ONLY IN KNIFE DRIVES WITH 8HOLES IN BEARING HOUSING BOTTOM AND BULGES SIDES

FOOTNOTE [D] OPTIONAL

6280 COMBINE - 1637488
D-ZAZB-003-A

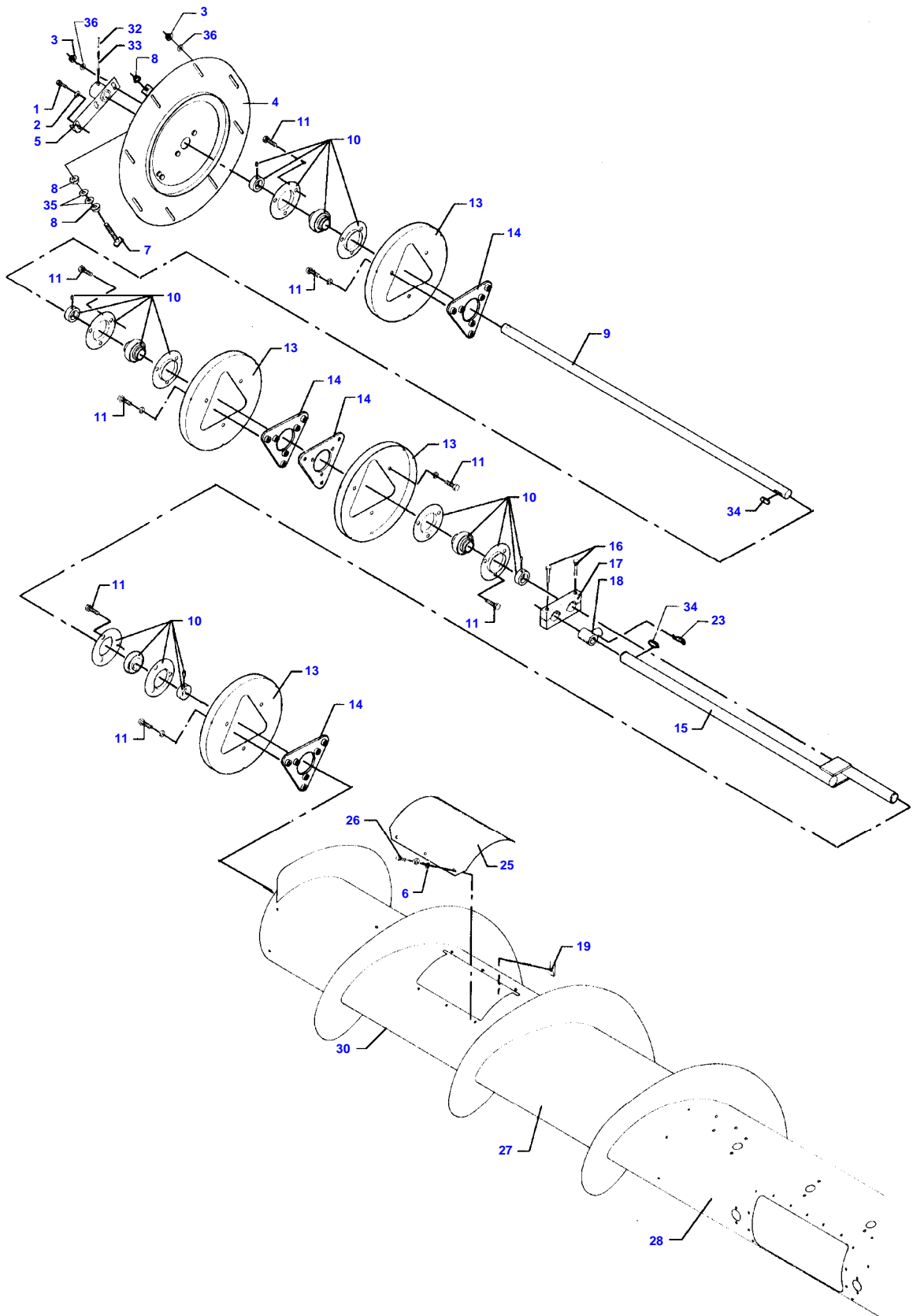


Table Auger Right Hand - Freeflow - 14' - 20'

Item	Part Number	Qty	Description	Comments
1	D40404700	1	Hex. Sock. Screw	
2	D20400506	1	Washer	
3	D41017500	10	Locknut	
4	D58280040	1	Plate	
5	D28283029	1	Adjuster	
6	D20400470	6	Washer	
7	D28211023	1	Bolt	
8	D41087600	2	Locknut	
9	D28283036	1	Shaft	18' - 5,56M
	D28284655	1	Shaft	20' - 6,16M
	D28283767	1	Shaft	14' - 4,34M
	D28283768	1	Shaft	16' - 4,95M
10	D41707800	4	Bearing	
11	D40407900	24	Hex. Sock. Screw	
13	D28280014	4	Plate	
14	D28283847	4	Bearing Plate	
15	D28283016	1	Crankshaft	14-16-18' 4,34-4,95-5,56M
	D28285977	1	Crankshaft	20' - 6,16M
16	D40426100	2	Hex. Sock. Screw	
17	D28283039	1	Arm	
18	D28251831	15	Bearing Carrier	
19	D43428200	6	Nut	
23	D28283853	15	Hair Pin	
25	D58283070	1	Cover	
26	D40402600	6	Hex. Sock. Screw	
27	D58285988	1	Table Auger	14' 4,34M
	D58285989	1	Table Auger	16' - 4,95M
	D58285990	1	Table Auger	18' - 5,56M
	D58285991	1	Table Auger	20' - 6,16M
28	D28283012	1	Body	
30	D28283032	1	Body	Right Hand 18' - 5,56M Up to Serial or Engine Number 940147
	D28286011	1	Tube	Right Hand 18' - 5,56M From Serial or Engine Number 940148
	D28283034	1	Body	Right Hand 20' - 6,16M Up to Serial or Engine Number 940147
	D28286012	1	Body	Right Hand 20' - 6,16M From Serial or Engine Number 940148
	D28283792	1	Body	Right Hand 14' - 4,34M Up to Serial or Engine Number 940147
	D28286009	1	Tube	Right Hand 14' - 4,34M From Serial or Engine Number 940148
	D28283795	1	Body	Right Hand 16' - 4,95M Up to Serial or Engine Number 940147
	D28286010	1	Tube	Right Hand 16' - 4,95M From Serial or Engine Number 940148
32	D42616400	1	Pin	
33	D42625300	1	Pin	
34	D43104700	2	Key	
35	D20400471	2	Washer	
36	D20400414	X	Washer	

6280 COMBINE - 1637488
D-ZAZC-003-B

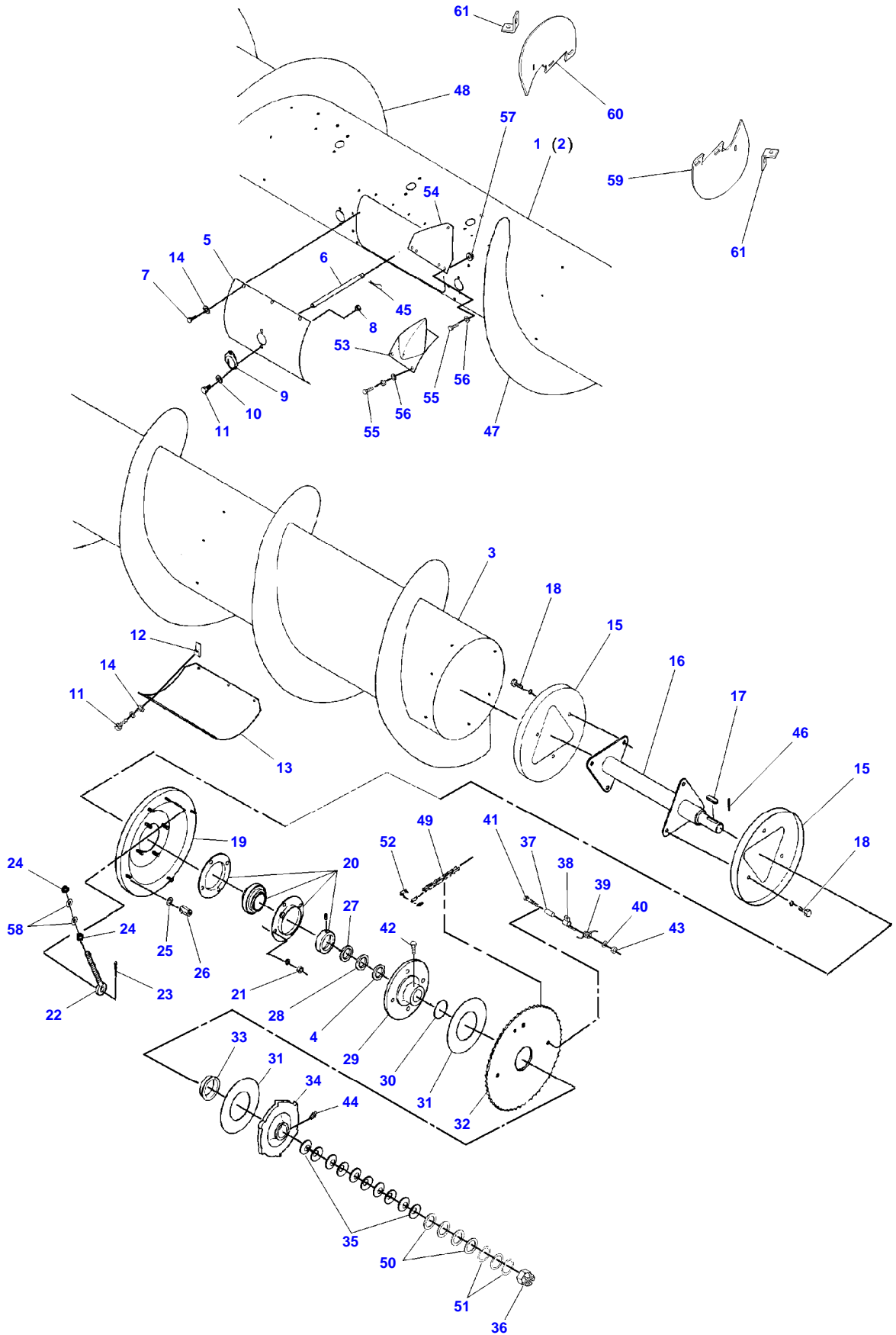


Table Auger Left Hand - Freeflow - 14' - 20'

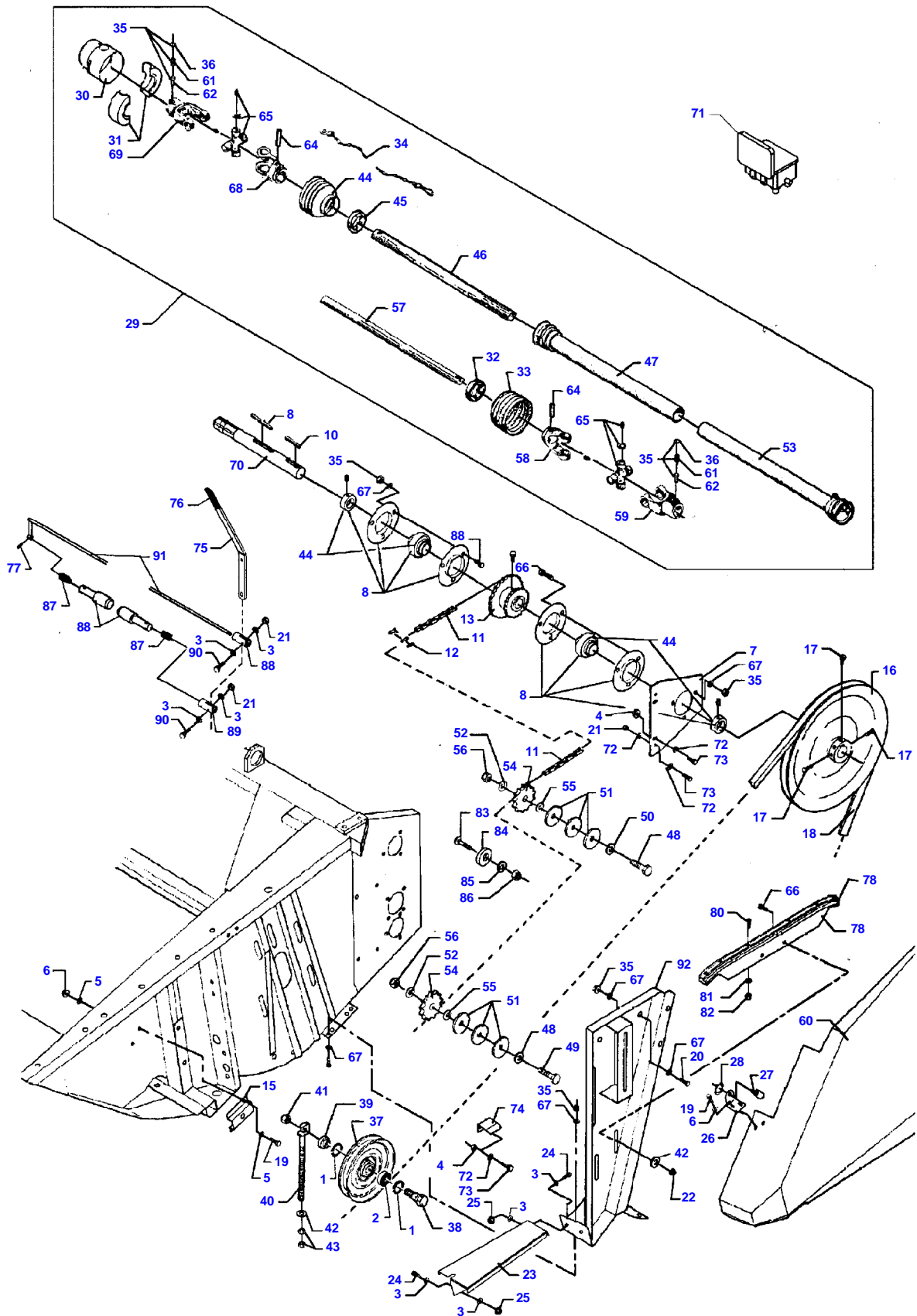
Item	Part Number	Qty	Description	Comments
1	D58285988	1	Table Auger	14' - 4,34M
	D58285989	1	Table Auger	16' - 4,95M
	D58285990	1	Table Auger	18' - 5,56M
	D58285991	1	Table Auger	20' - 6,16M
2	D28283012	1	Body	
3	D28286002	1	Body	Left Hand 14' - 4,34M
	D28286000	1	Body	Left Hand 16' - 4,95M
	D28286004	1	Body	Left Hand 18' - 5,56M
	D28286006	1	Body	Left Hand 20' - 6,16M
4	D41653500	X	Washer	[A]
5	D58283078	1	Cover	
6	D28283815	15	Finger	
7	339560X1	X	Hex. Sock. Screw	M6 X 16
8	1441462X1	X	Locknut	M6
9	D28283060	15	Bush	
10	D20400404	X	Washer	
11	339666X1	X	Hex. Sock. Screw	M6 X 20
12	D43428200	6	Nut	M6
13	D58283070	1	Cover	
14	391038X1	6	Washer	
15	D28280014	2	Plate	
16	D28283007	1	Drive Shaft	
17	D43106800	1	Key	
18	3009491X1	6	Hex. Sock. Screw	M10 X 20
19	D58283053	1	Plate	
20	D41716500	1	Bearing	
21	3009695X1	4	Nut	M12
22	D28281387	1	Screw	
23	3000197X1	1	Split Pin	Diameter 4 X 32
24	339402X1	2	Nut	M10
25	D20400415	4	Washer	
26	D28280729	4	Nut	
27	D41653500	X	Washer	
28	D41653500	4	Washer	
29	D28283004	1	Washer	
30	D45481600	1	O Ring	
31	D45904300	2	Facing	
32	D28286047	1	Sprocket	
33	D28286049	1	Insert	
34	D28286166	1	Clutch Disc	
35	D41112400	10	Washer	
36	D41054100	1	Castle Nut	
37	D28281431	1	Spacer	
38	D28281432	1	Support	
39	D28283006	1	Spring	
40	D20400507	1	Spacer	
41	3009498X1	1	Hex. Sock. Screw	M10 X 55
42	339761X1	1	Hex. Sock. Screw	M8 X 25
43	1440329X1	1	Locknut	M10
44	1441858X1	1	Grease Nipple	M6
45	D28283853	15	Hair Pin	
46	354066X1	1	Split Pin	5/32" X 1
47	D28280051	1	Auger	18' - 5,56M
	D28280052	1	Auger	16' - 4,95M
	D28280988	1	Auger	14' - 4,34M
	D28286019	1	Auger	20' - 6,16M
48	D28280053	1	Auger	18' - 5,56M
	D28280054	1	Auger	16' - 4,95M
	D28280989	1	Auger	14' - 4,34M
	D28286018	1	Auger	20' - 6,16M
49	D42329300	1	Chain	
50	D20400520	4	Spacer	
51	D20400522	3	Spacer	
52	D42365100	1	Link	
53	D28283294	4	Spike	
54	D28281694	4	Threaded Part	

Table Auger Left Hand - Freeflow - 14' - 20'

Item	Part Number	Qty	Description	Comments
55	339123X1	20	Hex. Sock. Screw	M8 X 20
56	D20400506	20	Washer	
57	394367X1	12	Locknut	M8
58	D20400471	2	Washer	
59	D28285967	1	Auger Extension	20' - 6,16M
60	D28285968	1	Auger Extension	20' - 6,16M
61	D28285981	2	Bracket	20' - 6,16M

FOOTNOTE [A] OPTIONAL

6280 COMBINE - 1637488
D-ZAZD-010-A

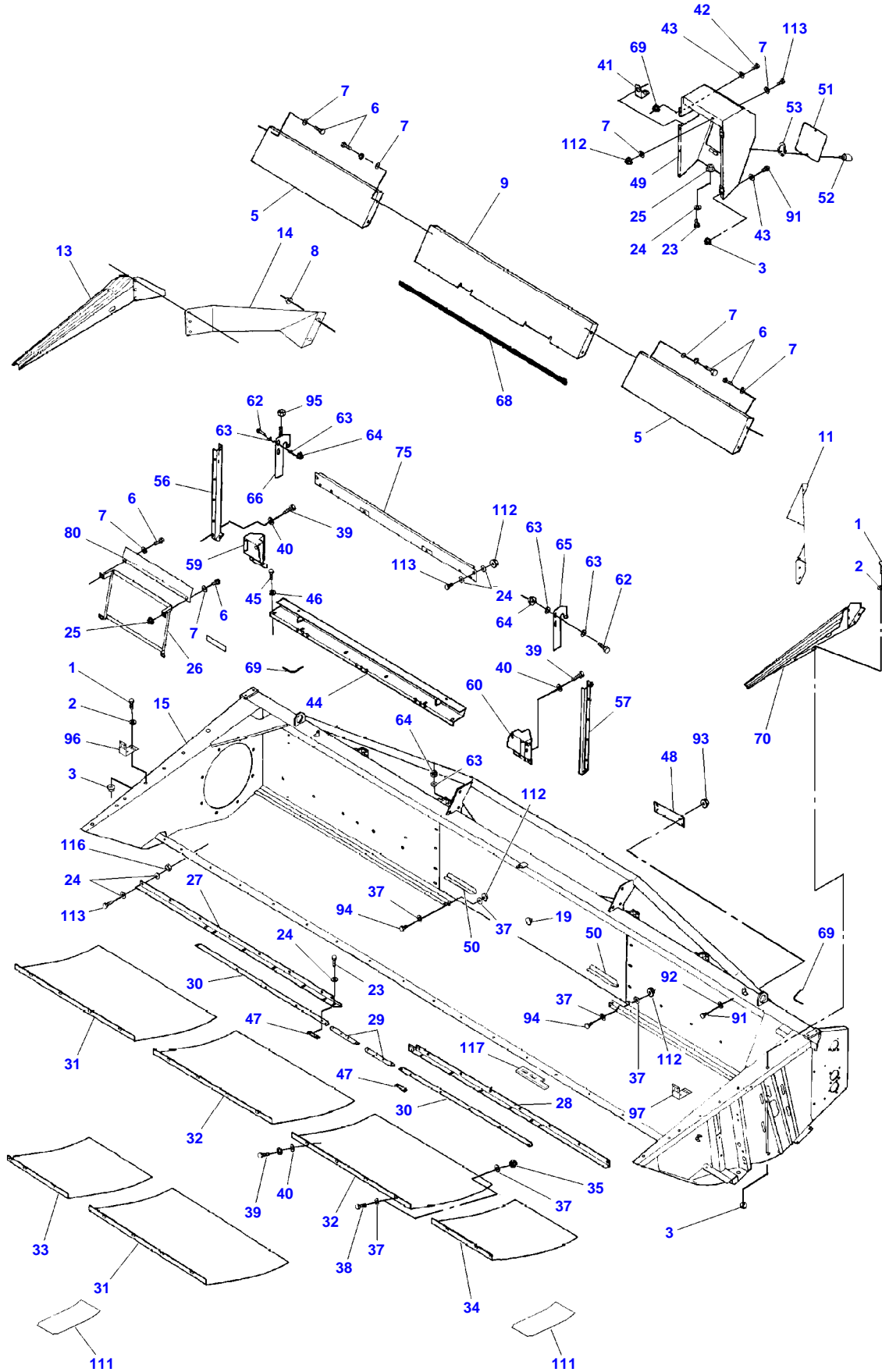


Item	Part Number	Qty	Description	Comments
1	339199X1	2	Circlip	
2	D41622700	1	Bear. 6204 2rs	
3	D20400506	X	Washer	
4	394367X1	X	Locknut	
5	D20400470	X	Washer	
6	1441462X1	X	Locknut	Replace and repair. Old not interchangeable with new D41087400
7	D18283099	1	Bearing Carrier	
8	D41707800	2	Bearing	
9	D43114900	1	Key	
10	D43105000	1	Key	
11	D42329300	1	Chain	
12	D42365100	1	Link	
13	D28280225	1	Sprocket	
15	D28281578	1	Retainer	
16	D28285423	1	Pulley	
17	D40697900	3	Screw	
18	D41985600	1	Belt	
19	D40402600	X	Hex. Sock. Screw	
20	D40407700	4	Hex. Sock. Screw	
21	394367X1	X	Locknut	
22	D41087600	X	Locknut	
23	D28281570	1	Plate	
24	D40405000	3	Hex. Sock. Screw	
25	394367X1	3	Locknut	
26	D28281577	1	Angle.	
27	D43427500	1	Pin	
28	D42555500	1	Circlip	
29	D45608900	1	Shaft	14' - 4,34M
	D45609000	1	Shaft	16' - 4,95M
	D45609100	1	Shaft	18' - 20' 5,56M - 6,16M
30	D45632900	1	Bush	
31	D45633000	1	Ring	
32	D45630700	1	Ring	
33	D45630500	1	Guard	
34	D45681800	2	Chain	
35	D45632400	2	Tube	
36	D45645700	2	Washer	
37	D28760574	1	Pulley	
38	D28760156	1	Screw	
39	D28760155	1	Bush	
40	D28260181	1	Bolt	
41	D41087900	X	Locknut	
42	D20400416	X	Washer	
43	D41010800	X	Nut	
44	D45630400	1	Guard	
45	D45630600	1	Ring	
46	D45631100	1	Tube	18' - 20' 5,56M - 6,16M
	D45632800	1	Tube	16' - 4,95M
47	D45631900	1	Tube	18' - 20' 5,56M - 6,16M
	D45632600	1	Tube	16' - 4,95M
48	D28181284	1	Washer	
49	D40433600	2	Hex. Sock. Screw	
50	D20400463	1	Washer	
51	D20400460	6	Washer	
52	D20400459	2	Washer	
53	D45632100	1	Tube	14' - 4,34M
	D45632300	1	Tube	18' - 20' 5,56M - 6,16M
	D45632500	1	Tube	16' - 4,95M
54	D41716800	2	Tightener	
55	D20400516	X	Spacer	OPTIONAL
56	D41087900	2	Locknut	

Item	Part Number	Qty	Description	Comments
57	D45631500	1	Tube	18' - 20' 5,56M - 6,16M
	D45632700	1	Tube	16' - 4,95M
58	D45630100	1	Yoke	
59	D45633200	1	Yoke	
60	D58281583	1	Guard	
61	D45667300	2	Spring	
62	D45665300	2	Pin	
64	D42619100	2	Pin	
65	D45630300	2	Hub	
66	D40066800	8	Screw Special	
67	D20400419	X	Washer	
68	D45630200	1	Yoke	
69	D45633100	1	Yoke	
70	D28284404	1	Shaft	
71	D45140044	1	Clutch	[A] See Page - Reference Number 014-0039/15
72	D20400506	X	Washer	
73	D40404900	X	Hex. Sock. Screw	
74	D58283098	1	Fitting	
75	D28285536	1	Lever	
76	D43484900	1	Lever	
77	D42612200	X	Pin	
78	D28280787	1	Rail	
79	D28281365	1	Crossmember	
80	D40609300	6	Screw	
81	D20400466	6	Washer	
82	D41087200	6	Locknut	
83	D40073100	1	Screw	
84	D28280981	1	Spacer	
85	D20400459	1	Washer	
86	D41087900	1	Locknut	
87	D27100794	2	Spring	
88	D28283200	1	Shaft	
89	D28285535	2	Fork	
90	D40423900	X	Hex. Sock. Screw	
91	D28285531	1	Journal	
92	D58283090	1	Plate	

FOOTNOTE [A] OPTIONAL EQUIPMENT

6280 COMBINE - 1637488
D-ZAZE-009-A



D-ZAZE-009-A

Table Housing And Guarding - Freeflow - 22'

Item	Part Number	Qty	Description	Comments
1	339560X1	X	Hex. Sock. Screw	M6 X 16
2	391038X1	X	Washer	
3	1441462X1	X	Locknut	M6
5	D58283862	2	Cowl	22' - 6,77M
6	339123X1	X	Hex. Sock. Screw	M8 X 20
7	D20400506	X	Washer	
8	394367X1	X	Locknut	M8
9	D58283236	1	Cowl	
11	D58283233	1	Cowl	
13	D58285507	1	Side	
14	D58283232	1	Cowl	Right Hand
15	D58286027	1	Table	22' - 6,77M
19	D45745300	X	Plug	
23	339123X1	X	Hex. Sock. Screw	M8 X 20
24	D20400506	X	Washer	
25	394367X1	X	Locknut	M8
26	D58285263	1	Bracket	22' - 6,77M
27	D28281808	1	Deflector	Right Hand 22' - 6,77M
28	D28281807	1	Deflector	Left Hand 22' - 6,77M
29	D28282634	2	Retainer	Valid from machine/table no,can be used in new as well as in older machines 60316
30	D28283861	2	Deflector	22' - 6,77M
31	D28283256	3	Wearplate	22' - 6,77M
32	D28283255	2	Wearplate	22' - 6,77M
33	D28283253	1	Wearplate	Right Hand
34	D28283254	1	Wearplate	Left Hand
35	394367X1	X	Locknut	M8
37	D20400506	X	Washer	
38	D40405300	X	Screw	
39	3009493X1	X	Hex. Sock. Screw	M10 X 30
40	D20400419	X	Washer	
41	D58250648	1	Clip	
42	339666X1	5	Hex. Sock. Screw	M6 X 20
43	D20400405	5	Washer	
44	D58285529	1	Profile	
45	3009493X1	8	Hex. Sock. Screw	M10 X 30
46	D20400415	8	Washer	
47	D28283321	4	Clamp	
48	D58285613	1	Cover	
49	D58284331	1	Guard	
50	D28283406	2	Deflector	
51	D58280958	1	Cover	
52	D43427500	2	Pin	
53	1440988X1	2	Circlip	
56	D58285775	1	Support	
57	D58285776	1	Support	
59	D58285752	1	Bracket	
60	D58285756	1	Bracket	
62	339881X1	4	Hex. Sock. Screw	M16 X 60
63	D28181284	9	Washer	
64	1442739X1	5	Locknut	M16
65	D58285739	1	Hook	
66	D58285738	1	Hook	
68	D28283557	X	Tensioner	
69	D28782178	X	Seal Section	Length 5 M
70	D58283938	1	Plate	Left Hand
75	D58285218	1	Plate	[A]
80	D58285264	1	Protector	22' - 6,77M
91	339560X1	X	Hex. Sock. Screw	M6 X 16
92	D20400404	X	Washer	
93	1441462X1	X	Locknut	M6
94	339337X1	4	Hex. Sock. Screw	M8 X 30
95	339034X1	1	Nut	M16
96	D28780381	2	Retainer	[C]
97	D28780381	1	Retainer	[B]
111	D28284101	2	Plate	
112	394367X1	X	Locknut	M8

Table Housing And Guarding - Freeflow - 22'

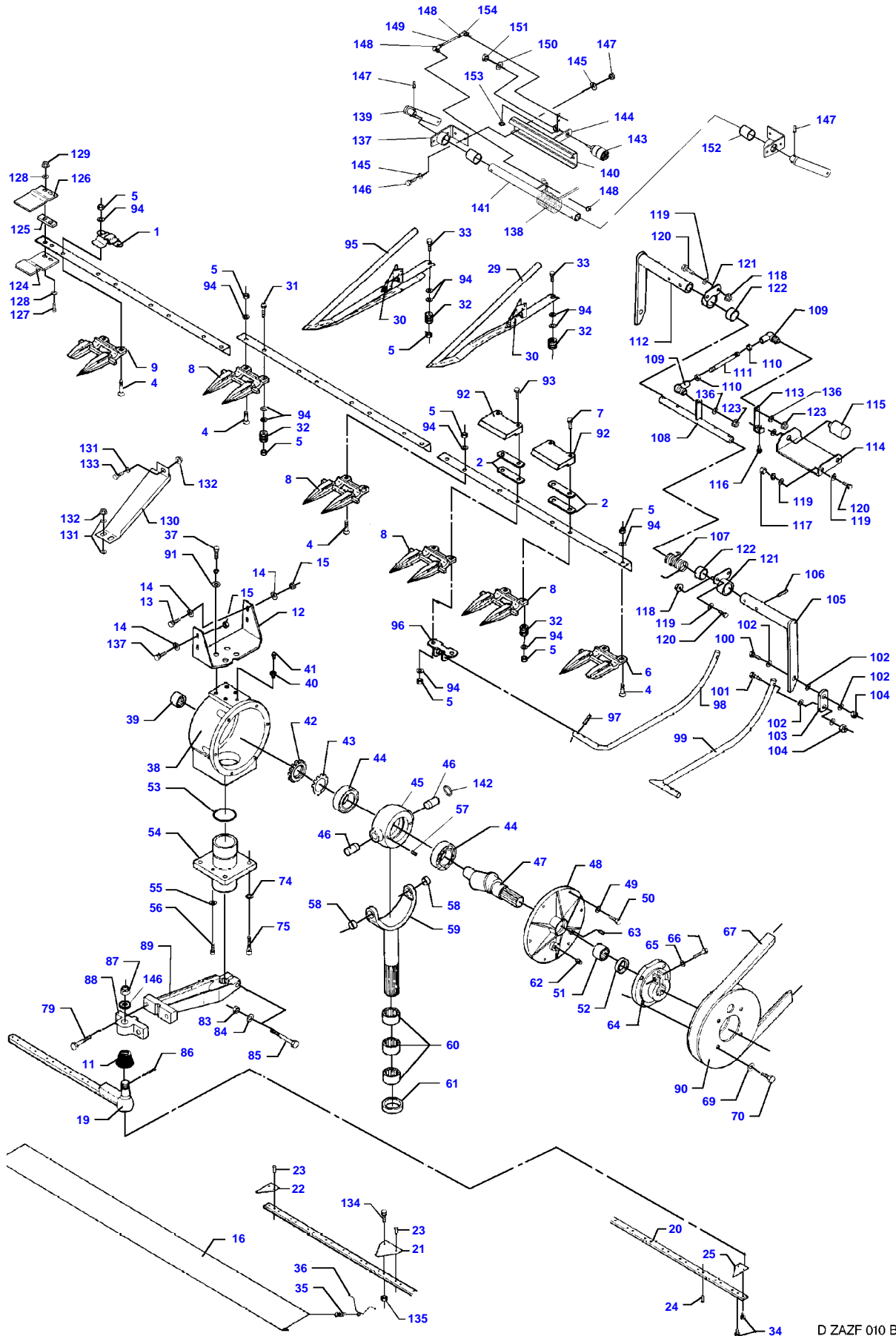
Item	Part Number	Qty	Description	Comments
113	339761X1	X	Hex. Sock. Screw	M8 X 25
116	339169X1	X	Nut	M8
117	D28285011	1	Lock Support	

FOOTNOTE [A] OPTIONAL EQUIPMENT AUTO LEVEL

FOOTNOTE [B] OPTIONAL EQUIPMENT ELECTRIC - VERTICAL KNIFE LEFT

FOOTNOTE [C] OPTIONAL EQUIPMENT ELECTRIC VERTICAL KNIFE RIGHT

6280 COMBINE - 1637488
D-ZAZF-010-B



D ZAZF 010 B

Knives And Fingers - Powerflow - 14' - 20'

Item	Part Number	Qty	Description	Comments
1	D28283934	13	Clip	14' - 4,34M
	D28283934	15	Clip	16' - 4,95M
	D28283934	17	Clip	18' - 5,56M
	D28283934	19	Clip	20' - 6,16M
2	D28230292	4	Shim	
4	D40551500	X	Bolt	
5	339402X1	X	Nut	M10
6	D44104700	1	Finger	Left Hand
7	D40067600	X	Screw	
8	D44104500	27	Finger	14' - 4,34M
	D44104500	31	Finger	16' - 4,95M
	D44104500	35	Finger	18' - 5,56M
	D44104500	39	Finger	20' - 6,16M
9	D44104600	1	Finger	Right Hand
11	D44120500	1	Cap	
12	D28283104	1	Support	Up to Serial or Engine Number 939559
13	339337X1	2	Hex. Sock. Screw	M8 X 30
14	D20400414	4	Washer	
15	394367X1	2	Locknut	M8
16	D28230830	1	Guard	14' - 4,34M
	D28230830	2	Guard	18' - 5,56M
	D28230831	1	Guard	14' - 20' 4,34M - 6,16M
	D28200314	1	Guard	16' - 20' 4,95M - 6,16M
	D28200738	1	Guard	16' - 20' 4,95M - 6,16M
19	D28283009	2	Blade	18' - 5,56M
	D28283010	2	Blade	20' - 6,16M
	D28283307	2	Blade	14' - 4,34M
	D28283308	2	Blade	16' - 4,95M
	D28283011	2	Knife Head	
20	D28281489	2	Knife Back	14' - 4,34M
	D28281490	2	Knife Back	16' - 4,95M
	D28281491	2	Knife Back	20' - 6,16M
	D28281492	2	Knife Back	18' - 5,56M
21	D44103700	X	Section	
22	D44103800	X	Half Section	Right Hand
23	D41306100	X	Rivet	
24	D41306200	X	Rivet	
25	D44104000	1	Half Section	Left Hand
29	D49040900	X	Ear Lifter	
30	D49040400	X	Spring	
31	339019X1	X	Hex. Sock. Screw	M10 X 50
32	D49040600	17	Roller	16' - 4,95M
	D49040600	19	Roller	18' - 5,56M
	D49040600	21	Roller	20' - 6,16M
	D49040600	15	Roller	14' - 4,34M
33	339019X1	X	Hex. Sock. Screw	M10 X 50
34	339560X1	2	Hex. Sock. Screw	M6 X 16
35	D26500317	4	Spring	(16)
36	D28230841	4	Spring	(16)
37	339337X1	4	Hex. Sock. Screw	M8 X 30
38	D28281324	1	Wobble Drive	[B] Cpl.
	D44127800	1	Box	[B] (38)
	D28281324	1	Wobble Drive	[C] (38) Cpl.
	D44126500	1	Box	[C] (38)
39	D44128800	1	Bearing Needle	(38)
40	D44129400	1	Connector	(38)
41	D46116500	1	Valve.	(38)
42	D44129100	1	Nut	(38)
43	D44129200	1	Washer	(38)

Knives And Fingers - Powerflow - 14' - 20'

Item	Part Number	Qty	Description	Comments
44	D41668400	2	Bearing Roller	(38)
45	D44127900	1	Housing	[B] (38)
	D44126400	1	Housing	[C] (38)
46	D44128000	2	Journal	[B] (38)
	D44125900	2	Journal	[C] (38)
47	D44129300	1	Shaft	(38)
48	D44128200	1	Cover	[B] (38)
	D44126300	1	Cover	[C] (38)
49	D41102100	6	Washer	(38) A8
50	339123X1	6	Hex. Sock. Screw	(38) M8 X 20
51	D41669700	1	Bearing Needle	(38)
52	D45412000	1	Gasket	(38)
53	D45481500	1	O Ring	(38)
54	D44128300	1	Bearing Carrier	[B] (38)
	D44126200	1	Bearing Carrier	[C] (38)
55	D41102100	2	Washer	(38) A8
56	D40697200	2	Screw	[B] (38)
	D40697700	2	Screw	[C] (38)
57	D40639600	2	Pin	[B] (38)
58	D44128400	2	Bush	[B] (38)
	D44126100	2	Bush	[C] (38)
59	D44128500	1	Yoke	[B] (38)
	D44126000	1	Yoke	[C] (38)
60	D41669800	3	Bearing Needle	(38)
61	D45409500	1	Gasket	(38)
62	D44128600	1	Plug	(38)
63	D45236200	1	Plug	(38)
64	D44127100	1	Hub	(38)
65	D41100900	1	Spring Washer	(38)
66	D40694000	1	Screw	(38)
67	D41986300	1	V Belt	
69	D20400426	4	Washer	
70	1440716X1	4	Hex. Sock. Screw	M12 X 30
71	D40405300	2	Screw	[D]
74	D41114600	4	Lock Washer	
75	D40465100	4	Screw	
79	D40698400	2	Screw	
83	1442190X1	1	Locknut	M12
84	D20400426	1	Washer	
85	390826X1	1	Hex. Sock. Screw	M12 X 90
86	391423X1	1	Split Pin	Diameter 4 X 40
87	D41054300	1	Nut	
88	D44126900	1	Flange	
89	D44127000	1	Swivel Arm	
90	D44127200	1	Pulley	
91	D28280986	4	Washer	
92	D28260362	2	Clip	
93	1441671X1	X	Screw Special	M10 X 50
94	D20400419	X	Washer	

Knives And Fingers - Powerflow - 14' - 20'

Item	Part Number	Qty	Description	Comments
95	D49040300	X	Ear Lifter	
96	D28284356	4	Fitting	[A]
97	339662X1	8	Pin	[A]
98	D28284259	2	Sensor	[A]
99	D28284260	2	Sensor	[A]
100	339337X1	4	Hex. Sock. Screw	[A] M8 X 30
101	D40405300	4	Screw	[A]
102	D20400506	20	Washer	[A]
103	D28284363	4	Link	[A]
104	394367X1	8	Locknut	[A] M8
105	D28284227	2	Lever	[A] Left Hand
106	D42611900	8	Pin	[A]
107	D28281693	2	Spring	[A]
108	D28284232	2	Shaft	[A]
109	D46437300	4	Toggle	[A]
110	D41010600	4	Nut	[A] M6
111	D28780446	2	Rod	[A]
112	D28284226	2	Lever	[A] Right Hand
113	D28284361	2	Connecting Link	[A]
114	D28284360	2	Plate	[A]
115	D28780523	2	Potentiometer	[A]
116	D40464900	2	Screw	[A]
117	339169X1	4	Nut	[A] M8
118	394367X1	8	Locknut	[A] M8
119	D20400506	16	Washer	[A]
120	339123X1	12	Hex. Sock. Screw	[A] M8 X 20
121	D28284458	4	Bearing Bush	[A]
122	D28284456	4	Bush	[A]
123	1441462X1	2	Locknut	[A] M6
124	D28281576	1	Plate	
125	D28281575	1	Shim	
126	D28281574	1	Plate	
127	339010X1	2	Hex. Sock. Screw	M8 X 40
128	D20400506	2	Washer	
129	394367X1	2	Locknut	M8
130	D28281572	1	Guard	
131	D20400506	3	Washer	
132	394367X1	3	Locknut	M8
133	339761X1	1	Hex. Sock. Screw	M8 X 25
134	339560X1	X	Hex. Sock. Screw	M6 X 16
135	1441462X1	X	Locknut	M6
136	D20400404	4	Washer	
137	D28285073	2	Clamp	
138	D28285087	1	Spiral	
139	D28285198	1	Arm	
140	D28285250	1	Support	
141	D28285251	1	Shaft	
142	D45483000	1	O Ring	[C]
143	D28780523	2	Potentiometer	
144	D28284361	2	Connecting Link	
145	D20400413	16	Washer	
146	339761X1	8	Hex. Sock. Screw	M8 X 25
147	394367X1	8	Locknut	M8
148	D41010600	4	Nut	M6
149	D28780446	2	Rod	
150	D20400404	2	Washer	
151	1441462X1	2	Locknut	M6
152	D28284456	4	Bush	

Thank you so much for reading.
Please click the “Buy Now!”
button below to download the
complete manual.



After you pay.

You can download the most
perfect and complete manual in
the world immediately.

Our support email:

ebooklibonline@outlook.com