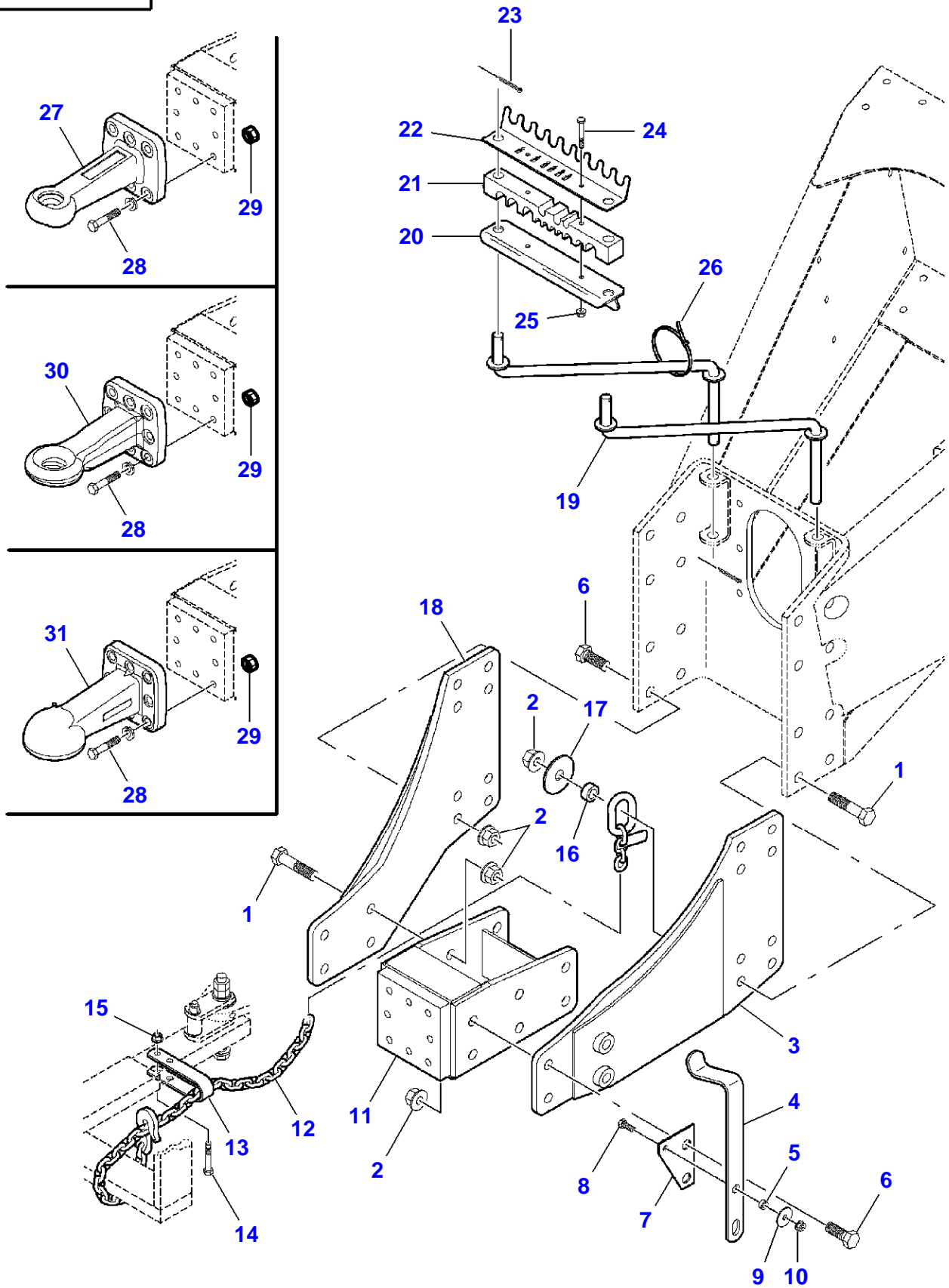


| Page Title | Page Number |
|--|-------------|
| Linkage - Hitch Safety Chain | 010-0005 |
| Transmission | 010-0010 |
| Transmission | 010-0015 |
| Transmission | 010-0020 |
| Transmission | 010-0025 |
| Transmission - Type 2 1-3/8 X 21 Splines - Auto lock | 010-0030 |
| Transmission - Type 3 1-3/4 X 20 Splines - Auto Lock | 010-0035 |
| Transmission - Flywheel | 010-0040 |
| Transmission - Flywheel | 010-0045 |
| Gearbox | 010-0050 |
| Gearbox | 010-0055 |
| Cutter Gearbox Assembly | 010-0060 |
| Chain Drive - Left Side | 010-0065 |
| Chain Drive - Right Side | 010-0070 |
| Chain Drive | 010-0075 |
| Chain Drive - Clutch | 010-0080 |
| Cutter Drive Assembly - Left | 010-0085 |
| Clutch - With Cutter | 010-0090 |

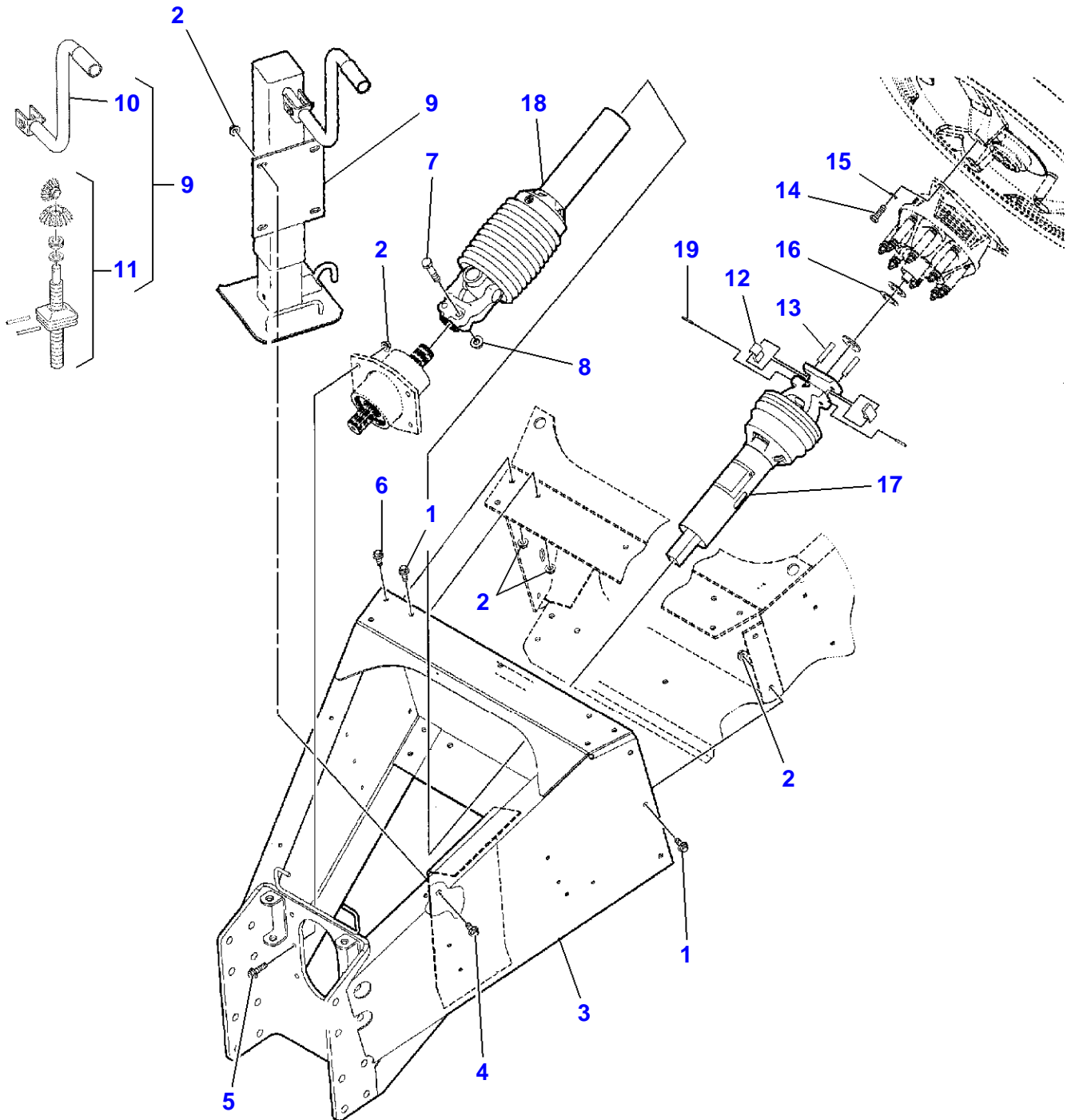
5-BA03-003-A



Linkage - Hitch Safety Chain

| Item | Part Number | Qty | Description | Comments |
|------|------------------|-----|-------------|-----------------|
| 1 | 48100PF | 5 | Bolt | 3/4-10 X 3-1/4 |
| 2 | 700703923 | 16 | Top Locknut | 3/4-10 |
| 3 | 700139426P | 1 | Tongue | Left Hand |
| 4 | 700139456 | 1 | Strap | |
| 5 | 70336568 | 1 | Spacer | |
| 6 | 700721715 | 11 | Screw | 3/4-10 X 2 |
| 7 | 700139457 | 1 | Plate | |
| 8 | 353691X1 | 1 | Bolt Unc | 3/8-16 X 1 |
| 9 | 700710049 | 1 | Washer | 3/8 |
| 10 | 700711238 | 1 | Nut | 3/8-16 |
| 11 | 700139422P | 1 | Hitch | |
| 12 | 700720132 | 1 | Chain | |
| 13 | 700113646B | 1 | Clevis | |
| 14 | 354294X1 | 1 | Bolt Unc | 5/8-11 X 3-3/4 |
| 15 | 700711198 | 1 | Nut | 5/8-11 |
| 16 | 700139417B | 1 | Bush | |
| 17 | 6579106P | 1 | Cap | |
| 18 | 700139427P | 1 | Tongue | Right Hand |
| 19 | 700139447 | 2 | Rod | |
| 20 | 700139434 | 1 | Plate | |
| 21 | 700139455 | 1 | Block | |
| 22 | 700139433 | 1 | Plate | |
| 23 | 354061X1 | 4 | Pin | 1/8 X 1-1/4 |
| 24 | 354613X1 | 2 | Bolt Unc | 5/16-18 X 2-1/4 |
| 25 | Y704726 | 2 | Top Locknut | 5/16-18 |
| 26 | 70937133 | 2 | Tie | |
| 27 | 700721591 | 1 | Coupling | |
| | DK41143 | 1 | Kit | 40 mm |
| 28 | 7703879 | 22 | Screw | M16 X 60 |
| 29 | 700708348 | 22 | Nut | M16 |
| 30 | 700723357 | 1 | Kit | |
| | DK41144 | 1 | Kit | 50 mm |
| 31 | 700721590 | 1 | Coupling | |
| | DK41145 | 1 | Kit | |

5-BA01-049-A



Fendt

1270 / 1270 S MEDIUM SQUARE BALERS - --->| HT85100 - 1637499

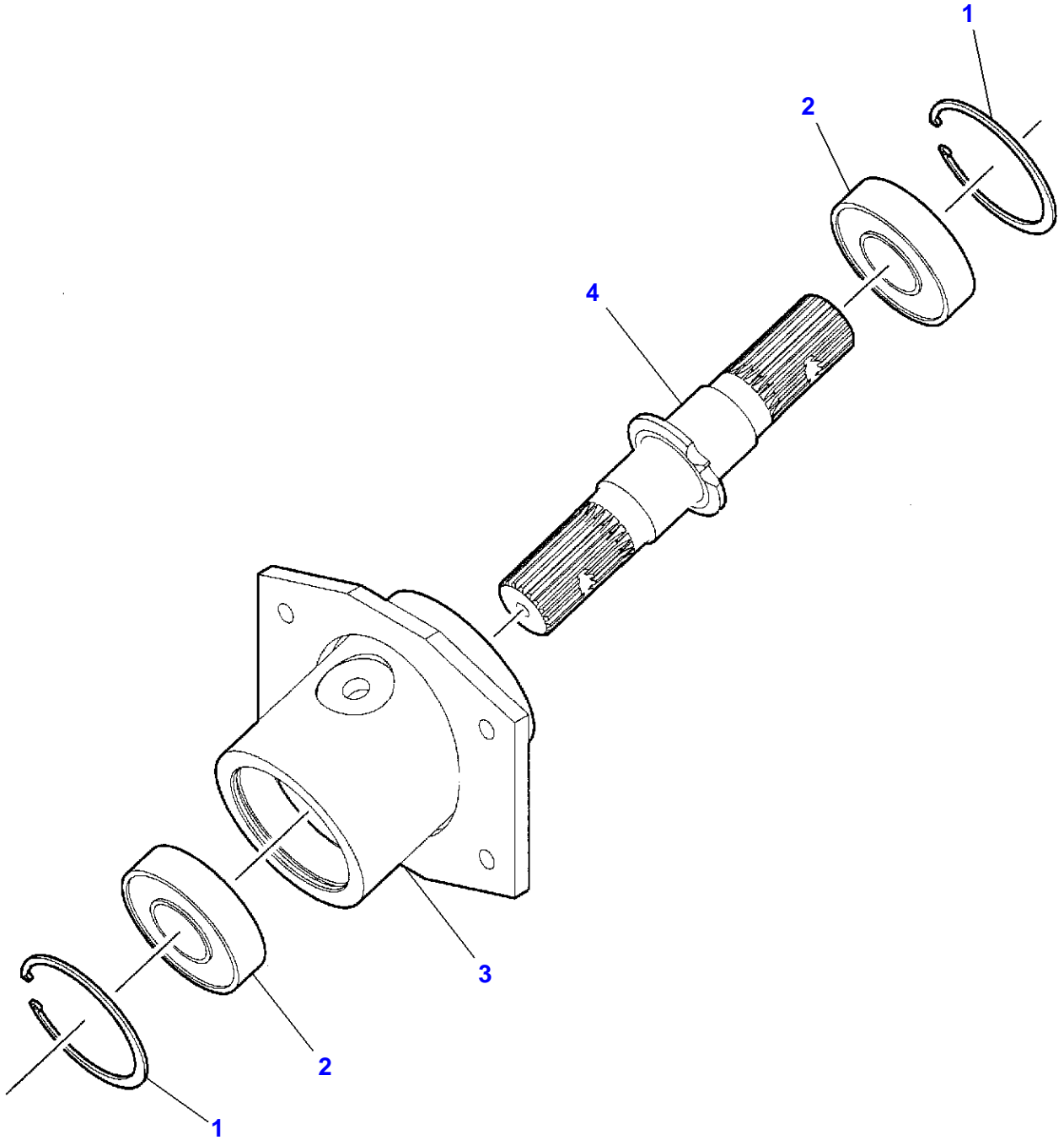
1637499

Transmission

Page010-0010

| Item | Part Number | Qty | Description | Comments |
|------|------------------|-----|---------------|----------------|
| 1 | 700710984 | 12 | Screw | 1/2-13 X 1-1/4 |
| 2 | Y704742 | 28 | Top Locknut | 1/2-13 |
| 3 | 700139411P | 1 | Tongue | |
| 4 | 70934980 | 4 | Screw | 1/2-13 X 1-1/4 |
| 5 | 7883432 | 4 | Screw | 1/2-13 X 1-3/4 |
| 6 | 8701237 | 8 | Screw | 1/2-13 X 1-1/2 |
| 7 | 48072PF | 2 | Capscrew | 5/8-11 X 3 |
| 8 | 700711198 | 2 | Nut | 5/8-11 |
| 9 | 700720231 | 1 | Jack | |
| 10 | 700720181 | 1 | Handle | (9) |
| 11 | 700720180 | 1 | Kit, Hardware | (9) |
| 12 | 700113036 | 2 | Pawl | |
| 13 | 700113037 | 2 | Pin | |
| 14 | 94723PF | 3 | Screw Unc | 1/2-13 X 1-1/2 |
| 15 | 353439X1 | 3 | Lock Washer | 1/2 |
| 16 | 6522932 | 2 | Shim | |
| 17 | 700721786 | 1 | Shaft | |
| 18 | 700721788 | 1 | Tube | |
| 19 | 70915751 | 2 | Pin | 3/16 X 1-1/2 |

5-BA01-051-A



Fendt

1270 / 1270 S MEDIUM SQUARE BALERS - --->| HT85100 - 1637499

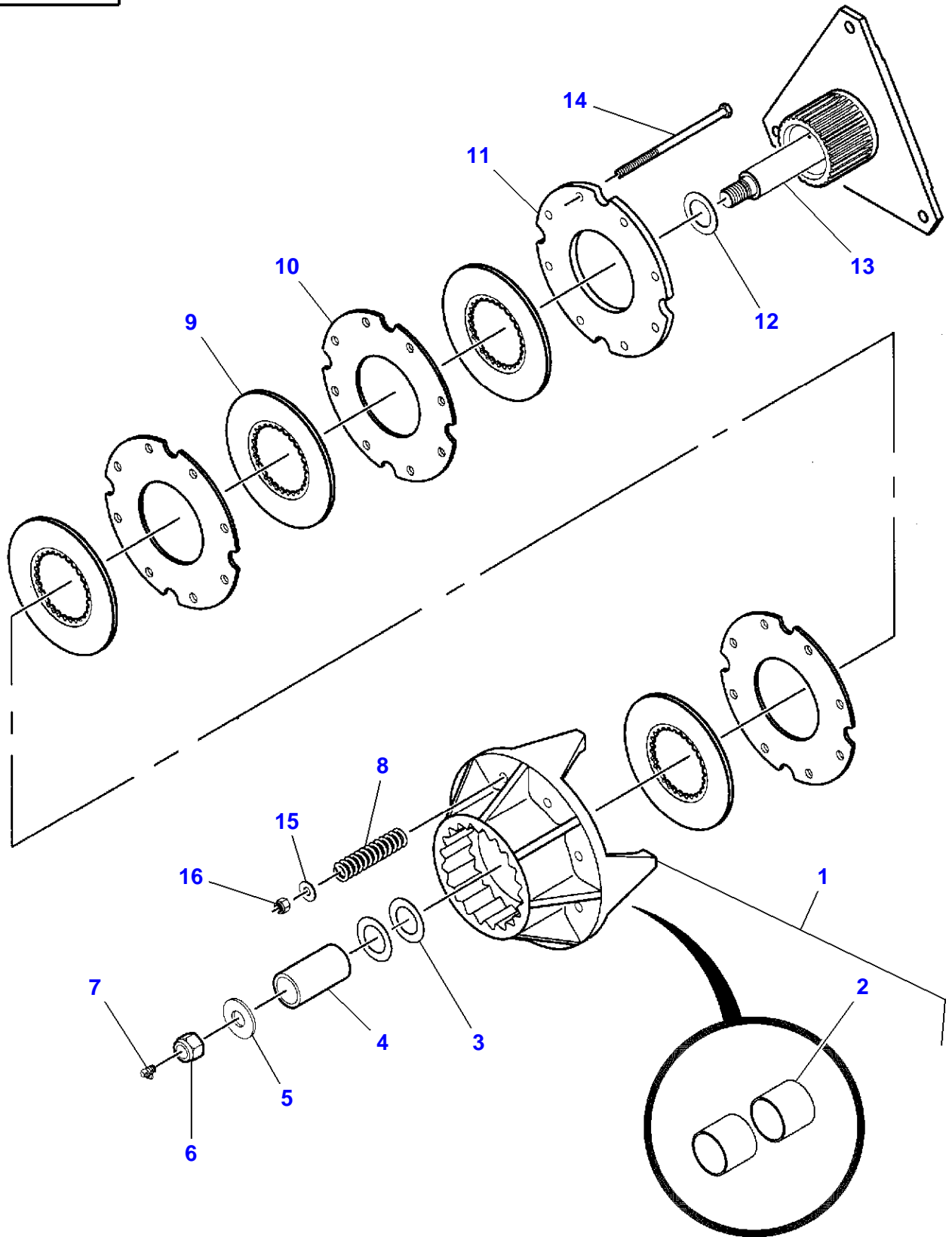
1637499

Transmission

Page010-0015

| Item | Part Number | Qty | Description |
|------|-------------|-----|----------------|
| 1 | 355994X1 | 2 | Ring |
| 2 | 391069X1 | 2 | Bear. 6309 2rs |
| 3 | 700139437P | 1 | Support |
| 4 | 700139441 | 1 | Shaft |

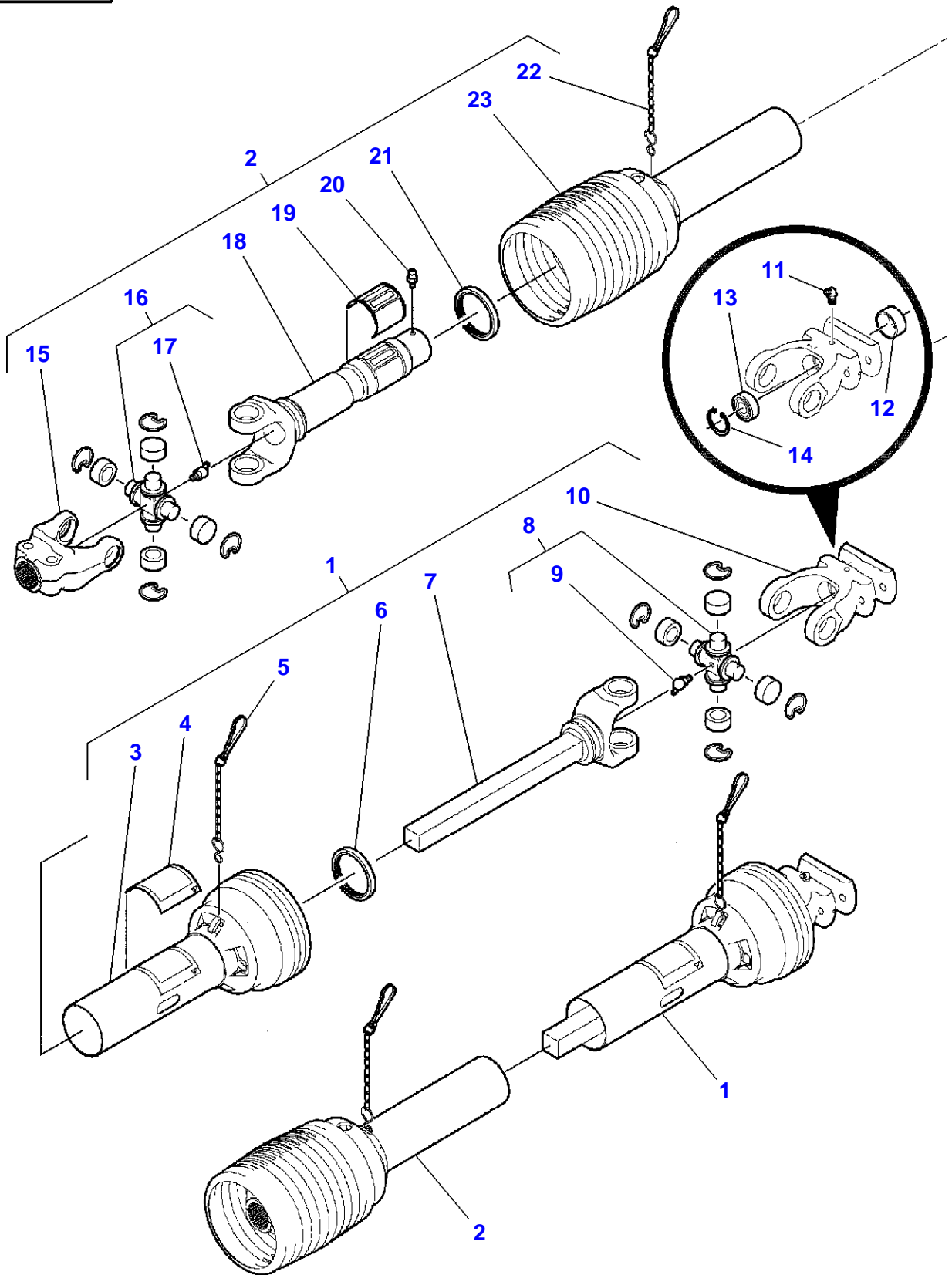
5-BA01-052-A



Transmission

| Item | Part Number | Qty | Description | Comments |
|------|-------------------|-----|-------------|------------------|
| 1 | 700163297P | 1 | Housing | |
| 2 | 7852114 | 2 | Bush | (1) |
| 3 | 6522932 | 2 | Shim | |
| 4 | 6350805P | 1 | Tube | Right Hand |
| 5 | 30295PF | 1 | Washer | 7/8 |
| 6 | 70930764 | 1 | Nut | 7/8-14 |
| 7 | 70915276 | 1 | Nipple | 1/8-27 X 90 ZERK |
| 8 | 858019 | 8 | Spring | |
| 9 | 700108820 | 4 | Disc | |
| 10 | 700112903P | 3 | Plate | |
| 11 | 6522866P | 1 | Plate | |
| 12 | Y52274 | 1 | Washer | 1-3/8 X 14 |
| 13 | 700163293P | 1 | Shaft | |
| 14 | 700707998 | 8 | Bolt | 3/8-16 X 7 |
| 15 | 355619X1 | 8 | Washer | 3/8 |
| 16 | 366573X1 | 8 | Locknut | 3/8-16 |

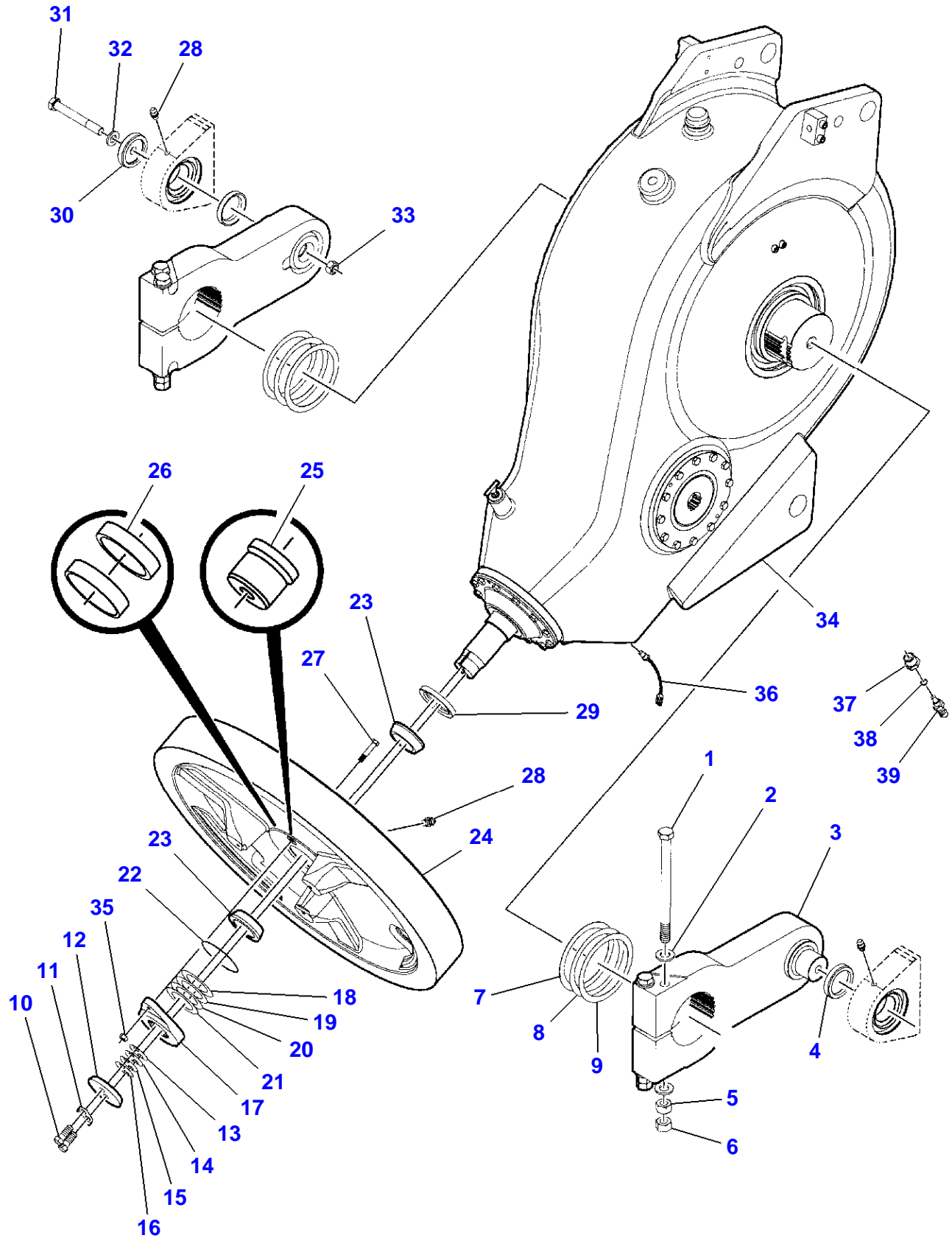
5-BA01-050-A



Transmission

| Item | Part Number | Qty | Description | Comments |
|------|------------------|-----|-------------|---------------------|
| 1 | 700721786 | 1 | Shaft | |
| 2 | 700721788 | 1 | Tube | |
| 3 | 700721791 | 1 | Guard | (1) |
| 4 | 700707960 | 1 | Decal | (1) |
| 5 | 700720152 | 1 | Kit, Chain | (1) |
| 6 | 700721790 | 1 | Kit, Repair | (1) |
| 7 | 700721789 | 1 | Yoke | (1) |
| 8 | 7815053 | 1 | Kit | (1) |
| 9 | 13223X | 1 | Nipple | (8) 1/8-27 X 65 |
| 10 | 700706955 | 1 | Yoke | (1) |
| 11 | 13223X | 1 | Nipple | (10) 1/8-27 X 65 |
| 12 | 700706956 | 1 | Bearing | (10) |
| 13 | 1124697 | 1 | Bearing | (10) |
| 14 | 70927699 | 1 | Ring | (10) |
| 15 | 700721794 | 1 | Yoke | (2) |
| 16 | 7815053 | 1 | Kit | (2) |
| 17 | 13223X | 1 | Nipple | (16) 1/8-27 X 65 |
| 18 | 700721793 | 1 | Yoke | (2) |
| 19 | 210371 | 1 | Decal | (2) |
| 20 | 70923219 | 1 | Greaser | (2) 1/4-28 |
| 21 | 700721790 | 1 | Kit, Repair | (2) |
| 22 | 700720152 | 1 | Kit, Chain | (2) |
| 23 | 700721792 | 1 | Guard | (2) |

5-BA01-038-C



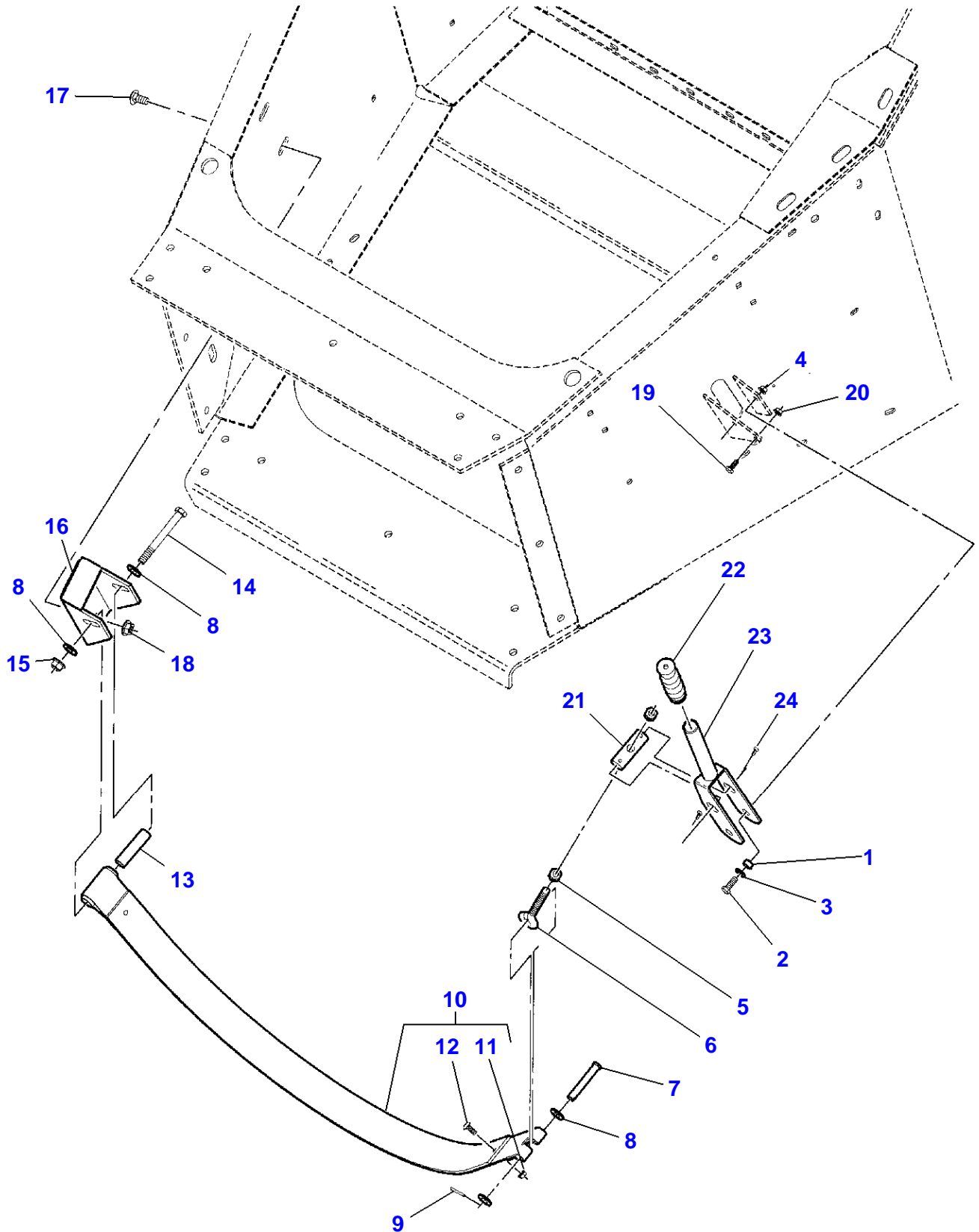
Transmission - Flywheel

| Item | Part Number | Qty | Description | Comments |
|------|-------------------|-----|---------------|---------------------|
| 1 | 700716699 | 4 | Capscrew | 7/8-9 X 12 |
| 2 | 705665 | 8 | Washer | 7/8 |
| 3 | 700137103P | 2 | Arm | |
| 4 | 700137106P | 2 | Spacer | |
| 5 | 700716698 | 4 | Nut | 7/8-9 |
| 6 | 70935213 | 4 | Nut | 7/8-9 |
| 7 | 700708038 | 2 | Shim | Thickness 0.25/.010 |
| 8 | 700708039 | 2 | Shim | Thickness 0.64/.025 |
| 9 | 700708041 | 2 | Shim | Thickness 1.20/.048 |
| 10 | 700708355 | 2 | Bolt | M16 X 2 X 40 |
| 11 | 700113045P | 1 | Locking Plate | |
| 12 | 700113044P | 1 | Cap | |
| 13 | 700706059 | 1 | Shim | Thickness 0.08/.003 |
| 14 | 700707993 | 1 | Shim | Thickness 0.51/.020 |
| 15 | 700706061 | 1 | Shim | Thickness 0.25/.010 |
| 16 | 700706060 | 1 | Shim | Thickness 0.13/.005 |
| 17 | 700137135P | 1 | Hub | |
| 18 | 700706056 | 1 | Shim | Thickness 0.08/.003 |
| 19 | 700706058 | 1 | Shim | Thickness 0.25/.010 |
| 20 | 700706057 | 1 | Shim | Thickness 0.13/.005 |
| 21 | 700707991 | 1 | Shim | Thickness 0.51/.020 |
| 22 | 700706050 | 1 | O Ring | |
| 23 | 700706039 | 2 | Bearing Cone | |
| 24 | 700152213P | 1 | Flywheel | |
| 25 | 7852718 | 1 | Sleeve | (24) |
| 26 | 700706038 | 2 | Bearing Cup | (24) |
| 27 | 6521868 | 1 | Bolt Assy | 7/16-14 X 2-1/8 |
| 28 | 70923219 | 3 | Greaser | 1/4-28 |
| 29 | 700706045 | 1 | Seal | |
| 30 | 700137107P | 1 | Washer | |
| 31 | 70922978 | 1 | Capscrew | 3/4-10 X 6 |
| 32 | Y70566 | 1 | Washer | 3/4 |
| 33 | 700710072 | 1 | Locknut | 3/4-10 |
| 34 | 700721657P | 1 | Gearbox | |
| 35 | 370873X1 | 1 | Nut | 7/16-14 |
| 36 | | | Not Used | |
| 37 | 71393718 | 1 | Sensor | |
| 38 | 7040330 | 1 | O Ring | |
| 39 | 700153111 | 1 | Adaptor | |

FOOTNOTE [A] STANDARD

FOOTNOTE [B] WITH ELECTRONIC CONTROL

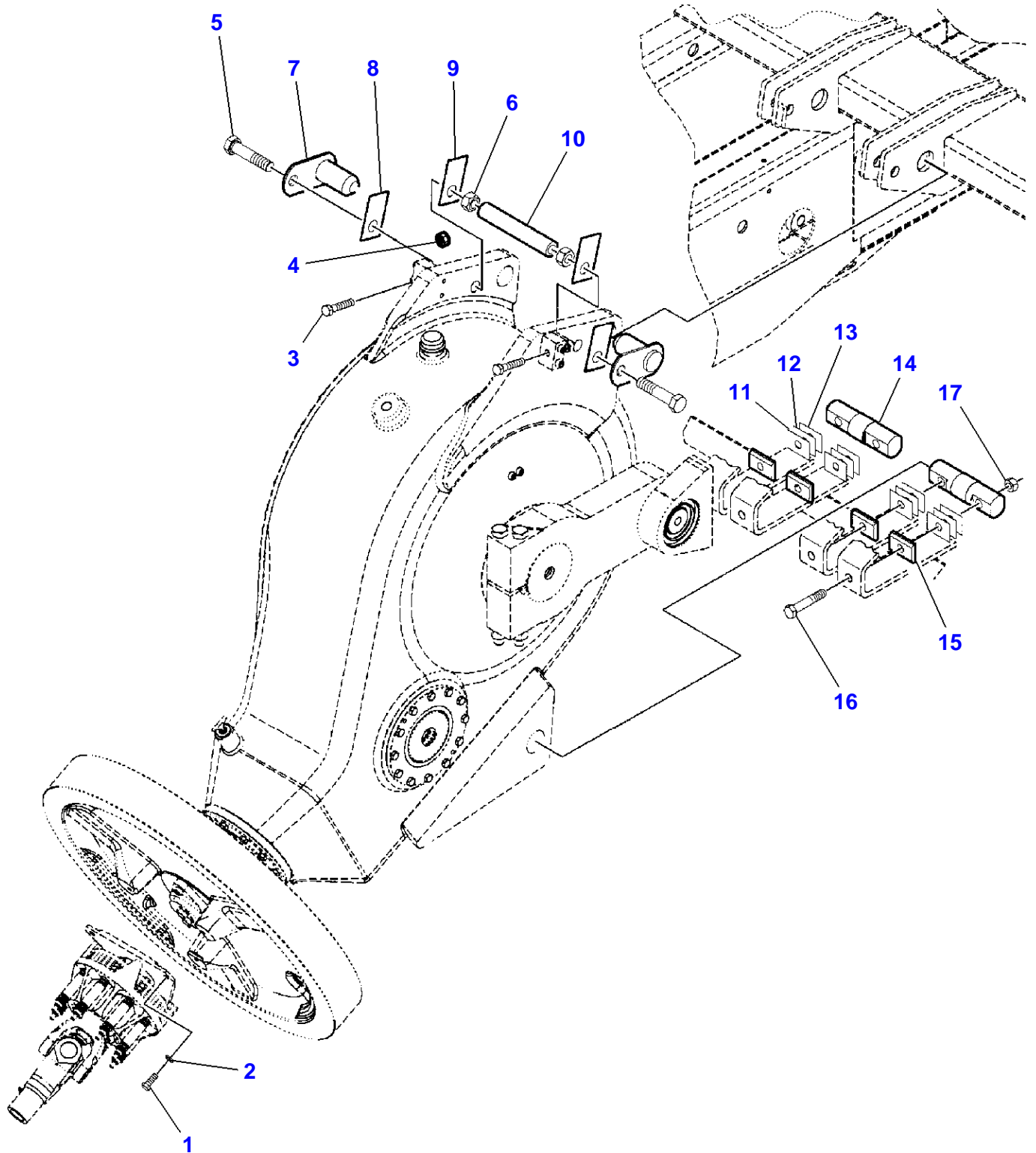
5-BA01-037-B



Transmission - Flywheel

| Item | Part Number | Qty | Description | Comments |
|------|-----------------|-----|--------------|----------------|
| 1 | 6489231 | 2 | Spacer | |
| 2 | 353691X1 | 2 | Bolt Unc | 3/8-16 X 1 |
| 3 | Y705533 | 2 | Washer | 3/8 |
| 4 | Y704734 | 2 | Top Locknut | 3/8-16 |
| 5 | 7704752 | 2 | Nut | 1/2-13 |
| 6 | 766667 | 1 | Eye Bolt | 1/2-13 X 10 |
| 7 | 63883 | 1 | Clevis Pin | 1/2 X 3 |
| 8 | 705541 | 12 | Flat Washers | 1/2 |
| 9 | 354066X1 | 1 | Pin | 5/32 X 1 |
| 10 | 700113058U | 1 | Band | |
| 11 | 70931277 | 2 | Locknut | (10) |
| 12 | 70918249 | 2 | Screw | (10) |
| 13 | 6524003P | 1 | Spacer | |
| 14 | 354667X1 | 1 | Bolt Unc | 1/2-13 X 4-1/2 |
| 15 | Y704742 | 1 | Top Locknut | 1/2-13 |
| 16 | 700137607P | 1 | Channel | |
| 17 | 70928367 | 2 | Bolt | 1/2-13 X 1 |
| 18 | 700714586 | 2 | Nut | 1/2-13 |
| 19 | 70921332 | 1 | Capscrew | 5/16-18 X 3/4 |
| 20 | Y704726 | 1 | Top Locknut | 5/16-18 |
| 21 | 700113057P | 1 | Pin | |
| 22 | 27342 | 1 | Grip | |
| 23 | 700113054P | 1 | Handle | |
| 24 | 354080X1 | 2 | Split Pin | 3/16 X 1-1/2 |

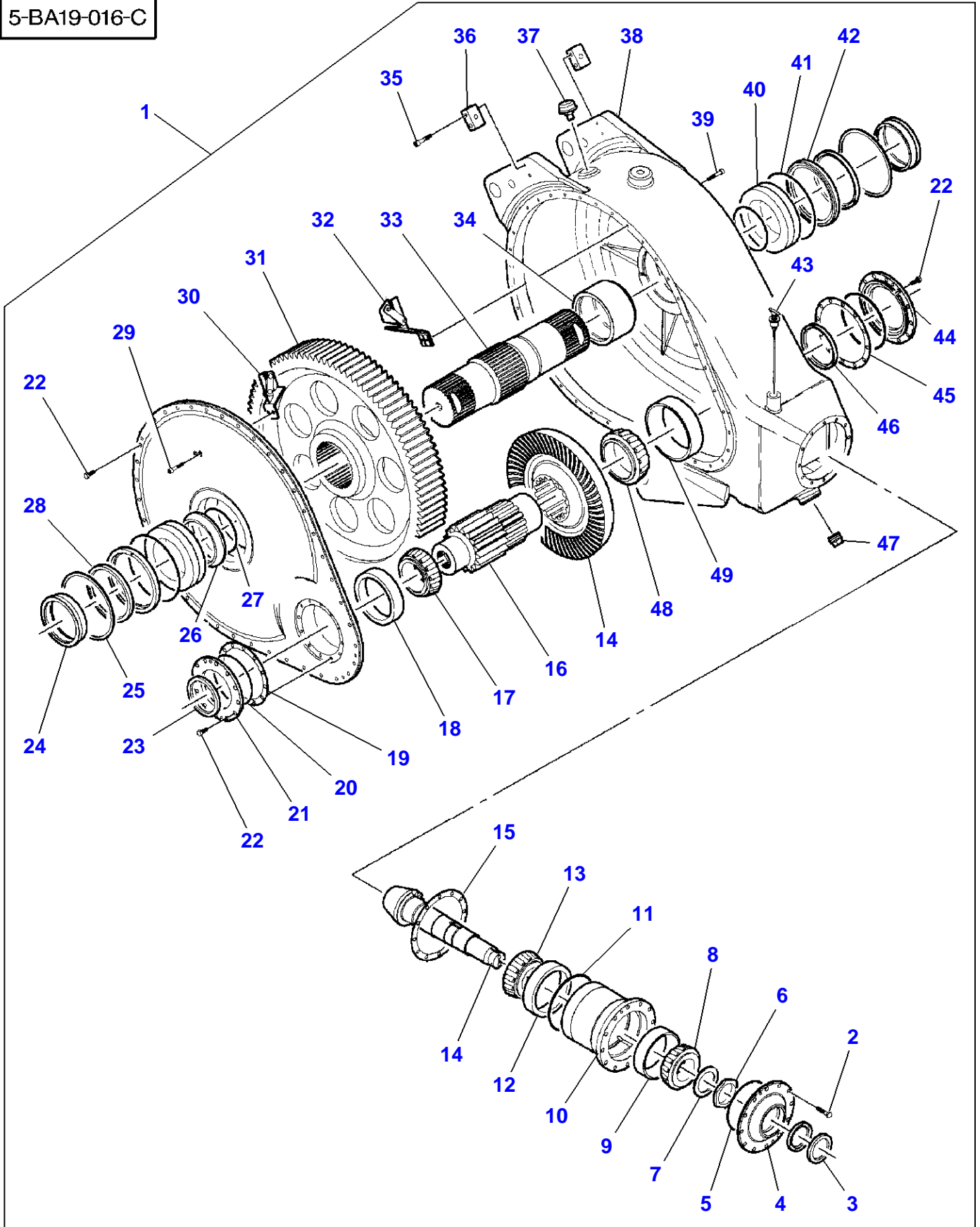
5-BA19-015-A



Gearbox

| Item | Part Number | Qty | Description | Comments |
|------|-------------|-----|-------------|----------------------|
| 1 | 70921176 | 3 | Screw | 1/2-13 X 1-1/4 |
| 2 | 353439X1 | 3 | Lock Washer | 1/2 |
| 3 | 7771504 | 2 | Capscrew | 5/8-11 X 3 |
| 4 | 70932665 | 2 | Nut | 5/8-11 |
| 5 | 700710263 | 2 | Capscrew | 1-8 X 4-1/2 |
| 6 | 700710264 | 2 | Top Locknut | 1-8 |
| 7 | 700113047P | 2 | Pin | |
| 8 | 700122653 | 2 | Shim | |
| 9 | 700122654 | 2 | Shim | |
| 10 | 700137136P | 1 | Tube | |
| 11 | 700706062 | 4 | Shim | Thickness .076/.003" |
| 12 | 700706063 | 4 | Shim | Thickness .130/.005" |
| 13 | 700706064 | 4 | Shim | Thickness .250/.010" |
| 14 | 700122650 | 2 | Pin | |
| 15 | 700113042P | 4 | Spacer | |
| 16 | 70925387 | 4 | Screw | 3/4-10 X 4 |
| 17 | 700703923 | 4 | Top Locknut | 3/4-10 |

5-BA19-016-C



Thank you so much for reading.
Please click the “Buy Now!”
button below to download the
complete manual.



After you pay.

You can download the most
perfect and complete manual in
the world immediately.

Our support email:

ebooklibonline@outlook.com