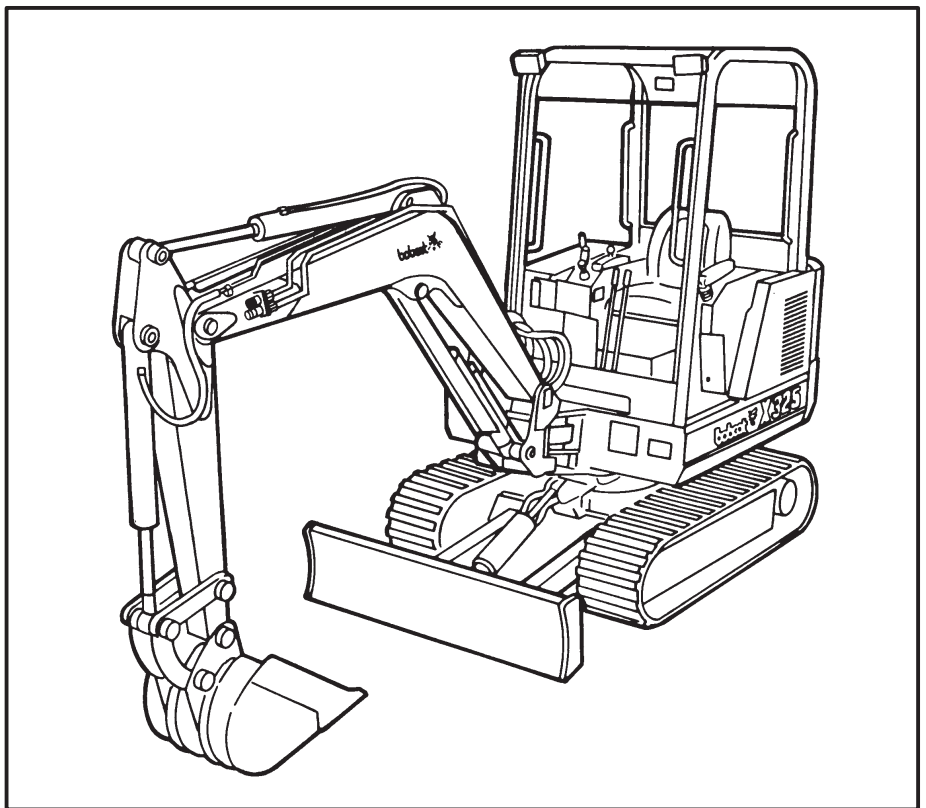


# X 325

## Excavator

## Service Manual

(S/N 511820001 & Above)



# CONTENTS

	Page Number
SAFETY INSTRUCTIONS .....	i
SERIAL NUMBER LOCATIONS .....	ii
DELIVERY REPORT .....	ii
HYDRAULIC EXCAVATOR IDENTIFICATION .....	iii
PREVENTIVE MAINTENANCE .....	1-1
HYDRAULIC SYSTEM .....	2-1
DRIVE SYSTEM .....	3-1
UPPER WORKS & SWING SECTION .....	4-1
MAIN FRAME & TRACKS .....	5-1
ELECTRICAL SYSTEM .....	6-1
ENGINE SERVICE .....	7-1
TECHNICAL DATA .....	8-1

**PREVENTIVE  
MAINTENANCE**

**HYDRAULIC  
SYSTEM**

**DRIVE  
SECTION**

**UPPER WORKS  
& SWING  
SECTION**

**MAIN FRAME  
& TRACKS**

**ELECTRICAL  
SYSTEM**

**ENGINE  
SERVICE**

**TECHNICAL  
DATA**

**CALIFORNIA  
PROPOSITION 65 WARNING**

Diesel engine exhaust and some of its constituents are known to the State of California to cause cancer, birth defects and other reproductive harm.

Thank you so much for reading.  
Please click the “Buy Now!”  
button below to download the  
complete manual.



After you pay.

You can download the most  
perfect and complete manual in  
the world immediately.

Our support email:

[ebooklibonline@outlook.com](mailto:ebooklibonline@outlook.com)