

Operator's Manual

FENDT

Combines

FENDT 5275 C - 6335 C

*FENDT 5275 C - S/N => ZN205539_03020022
FENDT 5275 C PL/PLI - S/N => ZN205540_03020040
FENDT 6335 C - S/N => ZN205640_03020114
FENDT 6335 C PL/PLI - S/N => ZN205641_03020049*



Breganze

AGCO S.p.A. - Via F. Laverda, 15/17 - 36042
BREGANZE (VI) – Italy.

FENDT is a worldwide brand of AGCO

© AGCO 2018

Original Operator's Manual

July 2018

FENDT 5275C-6335C_EN_327317019

EME

English

TABLE OF CONTENT

- General Information 1
- Safety 2
- Operation 3
- Controls and Instruments 4
- Field Operations 5
- Lubrication and Maintenance 6
- Adjustments 7
- Systems 8
- Troubleshooting 9
- Off-Season Storage 10
- Optional equipment 11
- Technical Specifications 12

1 General Information

1.1	Information	17
1.1.1	Introduction	17
1.1.2	Company policy	17
1.1.3	Optional equipment	17
1.1.4	Spare parts and accessories	18
1.1.5	Warranty	18
1.1.6	Lubricants	18
1.2	Use of the combine	20
1.3	Identification	22
1.3.1	Combine identification	22
1.3.2	Engine Identification	23
1.3.3	Cutting table identification	24
1.3.4	Operator seat identification	24
1.3.5	Hydrostatic pump identification	25
1.3.6	Hydrostatic motor identification	25
1.3.7	Straw chopper identification (if fitted)	26
1.3.8	Chaff spreader identification (if fitted)	26
1.3.9	Trailer hitch identification (if fitted)	27
1.4	Identification form	28
1.4.1	Machine data	28
1.5	Conformity	29
1.5.1	EC Declaration of Conformity	29
1.6	Information	31
1.6.1	Ecology	31
1.6.2	Hydraulic systems: hoses	31
1.6.3	Scrapping and disposal	32
1.7	Weight	33
1.7.1	Weight distribution	33

1.1 Information

1.1.1 Introduction

Your new self-propelled combine is manufactured for harvesting seed and cereal crops, for threshing, separating, cleaning and conveying the grain into the tank and depositing the straw on the ground.

This Operator's Manual should be used as a practical reference guide: It contains all the necessary practical information for the operation, adjustment and maintenance of your new machine.

Your combine was designed and built to ensure optimum performance, comfort and ease-of-operation in a wide variety of crops and conditions.

The combine has been thoroughly inspected prior to delivery both at the factory and by your Dealer, to ensure you receive it in perfect condition.

To keep the combine in perfect condition and to ensure trouble-free performance, the periodical maintenance operations listed in this manual should be carried out at the recommended intervals.

Before operating and/or driving the combine, read this Operator's Manual carefully, paying particular attention to the section on safety rules.

Always keep this manual on hand for further reference.

The terms "left" and "right" are always used with reference to the machine traveling direction.

Should you require further information about the machine, please do not hesitate to contact your authorized Dealer. Your Dealer provides specially trained personnel, genuine spare parts and the required tools to solve any problems that may arise.

NOTE:

- *This combine has been designed and built in compliance with the Machine Directive 2006/42/EC. A CE Declaration of Conformity is supplied with the machine (see specific chapter).*
- *This manual is published for worldwide distribution, and the availability of equipment shown as standard or optional varies according to the territory in which the combine is to be used. Specifications may differ from those contained in this Operator's Manual according to the customer's requirements*
- *In order to provide a better view of features or adjustments, certain illustrations in this manual may show an assembly with standard guards, or the guards required by law in different countries, open or removed.*



DANGER: However, a machine should never be operated in this condition.

For your own safety, always ensure all safety guards are fitted and closed correctly before operating the machine.

- *This Operator's Manual, along with the Operator's Manuals provided for the power take-off shaft and the table trailer, must always be kept in the compartment under the operator's seat for storage and convenient reference.*

1.1.2 Company policy

In accordance with the Company's policy of continuous improvements to its products, the Company reserves the right to modify and improve its products whenever necessary and to the required extent, without any obligation to apply such modifications to previously sold products.

The information contained in this Manual refers to the current situation at the time it was written. All the data given may vary.

1.1.3 Optional equipment

Your machine was designed to operate in a wide variety of crops and conditions.

However, in certain cases it may be necessary to fit additional accessories to improve machine performance or adapt the machine to harvesting special crops.

A list of available accessories is provided in the chapter **Optional equipment**.

1.1.4 Spare parts and accessories

The genuine spare parts and accessories have been specifically designed for this type of machine.

Only genuine parts supplied by your authorized Dealer can guarantee correct operation and optimum performance.

Never use non-genuine spare parts or accessories: Some accessories (e.g. PTO shafts, straw choppers, tables) require an EC certification, which can be provided only by the manufacturer or his qualified and recognized sub-suppliers.

Non-genuine spare parts have not been tested and are not authorized by the manufacturer.

The use of such equipment may have a damaging effect on the design features of the machine and may even jeopardize operational safety.

The manufacturer disclaims all liability in the event of loss or damage arising as a result of non-genuine parts or accessories being fitted.

It is expressly prohibited to make any modification to the combine without the prior written authorisation by the manufacturer.

When ordering spare parts and/or optional equipment, always quote your combine model and serial number (see chapter **Combine identification**).

1.1.5 Warranty

Your combine is warranted in compliance with the regulations in force in your country and the agreements made with your Dealer.

However, the warranty becomes void in the following situations:

1. If the machine has been used inappropriately.
2. If adjustments and maintenance have not been carried out according to the instructions in this manual.
3. If the failures are caused by the use of non-genuine spare parts or accessories.
4. If damage is the result of carelessness, negligence, inappropriate use of the machine or operational errors. If the safety devices are removed and/or non-genuine spare parts are used, the warranty becomes void automatically and the manufacturer disclaims any liability.

The warranty applies only to repair or free replacement of parts proving defective after a careful inspection by the manufacturer (excluding wear parts and tires), as described in the Combine Service Record Book. In the event that warranted parts are replaced or repaired, warranty terms are not extended. The customer can assert his warranty rights only insofar as the warranty conditions contained in the Service Record Book have been observed.

1.1.6 Lubricants

Your Dealer can provide a wide range of special lubricants, produced according to the specific technical specifications of the combine.

For these combines we recommend the use of the lubricants listed in the chapter **Capacities and specifications** of the section **Lubrication and maintenance**.

Always use genuine AGCO parts, the only parts which bear this trademark:

1.2 Use of the combine

These combines are designed as self-propelled units with a diesel engine.

The machines are manufactured exclusively for usual agricultural purposes, i.e. for harvesting cereal, seed, rice, maize, soya, etc. by cutting or picking-up the crop, threshing and separating the grains from the ears, delivering the grains in the grain tank and unloading them into the grain wagon.

Machine performance may be limited by various factors such as harvesting speed, weather conditions, ground characteristics and the type and degree of ripeness of the crop.

When operating the machine, make sure the cab doors are shut. The operator and instructor (or trainee), if present, must remain seated in their respective seats with their seatbelts fastened (the operator should not drive the machine when standing).

The machines must be operated only by skilled operators who know all the machine's functions and harvesting techniques.

If the ground is uniform and the tires offer sufficient grip, the machine stability is ensured on the following inclinations:

- FENDT 5275 C and FENDT 6335 C models
 - 20% (11°) longitudinally (uphill and downhill).
 - 20% (11°) crosswise.
- FENDT 5275 C PL, FENDT 6335 C PL, FENDT 5275 C PLI and FENDT 6335 C PLI models
 - 30% (18°) longitudinally (uphill and downhill).
 - 30% (18°) crosswise.

FENDT 5275 C - 6335 C models

These models are designed for working on level ground to ensure even distribution of the crop inside the machine. **These models HAVE NOT been developed for working on sloping ground.**

FENDT 5275 C PL - 6335 C PL models

These models have been expressly designed for harvesting crops on hilly but firm ground.

The front levelling system ensures that the machine body remains perfectly horizontal up to a gradient of 20% (15% for machines not equipped with rear-wheel drive).

The system that varies the front track width operates correctly only when the machine is in motion.

FENDT 5275 C PLI – 6335 C PLI models

This model, in comparison to the PL models, features a longitudinal levelling function (two hydraulic cylinders connected to the rear axle) that allows the machine to tackle uphill slopes, up to 30%.

Forbidden uses

Do not use the machine for tasks or purposes other than those specified in this Manual, on the safety decals or on other safety information provided with the machine.

The following pages contain recommendations on correct and incorrect use of the machine when traveling on public roads, during field operations and during maintenance.

Many machine functions relating to safety are managed by the software.

Do not try to modify or replace the software. You risk destroying the machine's settings and the operating logic.

Such tampering could lead to unpredictable and abnormal behavior, making it unsafe (for the operator(s) and the machine).

Only your Dealer is authorized to intervene on the machine software.

The machine's maximum speed on the road is limited and controlled by the software. Do not try to change it.

Table types

These combine harvesters may use FreeFlow or PowerFlow cutting tables.

NOTE: *In this manual, the term "table/s" signifies both the cutting table and the maize header when used generically. The term "cutting table" refers to the assembly consisting of reel, cutting bar, table auger, etc. used to harvest grain, barley, rice, soya, etc. The term "maize header" refers to the assembly consisting of stalk grippers, stripping blades, conveyor chains, etc. used for harvesting maize.*

1.3 Identification

1.3.1 Combine identification

The combine and its main components are identified by serial numbers and/or production codes.

The position of the different identification data is described below.

NOTE:

Always quote the combine serial number when contacting your Dealer for spare parts or assistance.

Combine approval and safety plates

The manufacturer's type plate (1), statutory for all countries (or (2), for France only), is positioned on the outer right-hand side of the operator platform and shows the following information:

- Combine type
- Approval number
- Combine serial number
- Total maximum permitted weight
- Weight (on both axles)
- Towing weight

For further details, please refer to the type approval certificate.

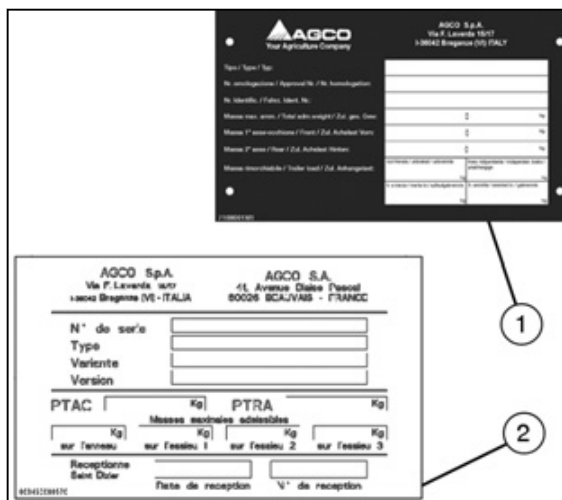


Fig. 2

The safety plate (3) is located next to the approval plate, and guarantees that the combine was built in compliance with Machinery Directive 2006/42/EC as well as Directive 2004/108/EC.

This plate shows the following information:

- Manufacturing year
- Marketing year
- Model
- Combine serial number
- Crop type
- Total weight (normal configuration)
- Nominal engine power
- Maximum towing weight
- Maximum vertical load on the trailer hitch

In certain countries (e.g. Russia) these two plates are positioned next to an additional decal/plate corresponding to the approval for that specific country.



Fig. 3

Combine identification

Combine type and serial number appear on the plate and are also punched into the rear right-hand side of the frame (1).

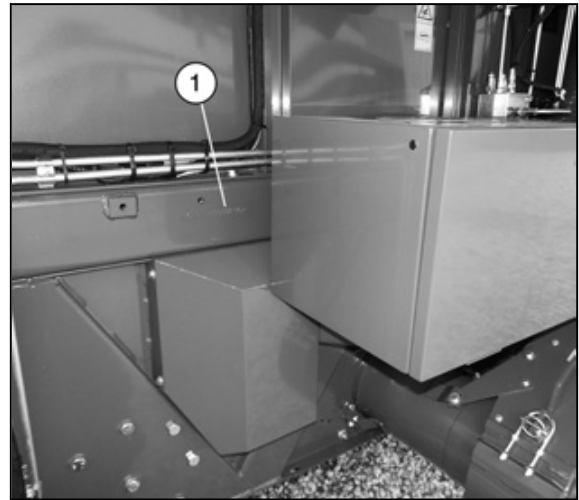


Fig. 4

1.3.2 Engine Identification

The engine is identified by the type plate (1) in the middle of the cylinder block.

The following information appears on the plate (1):

- Manufacturer
- type
- Engine power and rated speed
- Engine serial number
- Valve clearance
- Customer reference code
- Idling speed
- Compliance with Directive 97/68/EC
- Name of the engine assembler.

The engine serial number is always also stamped on the cylinder block.

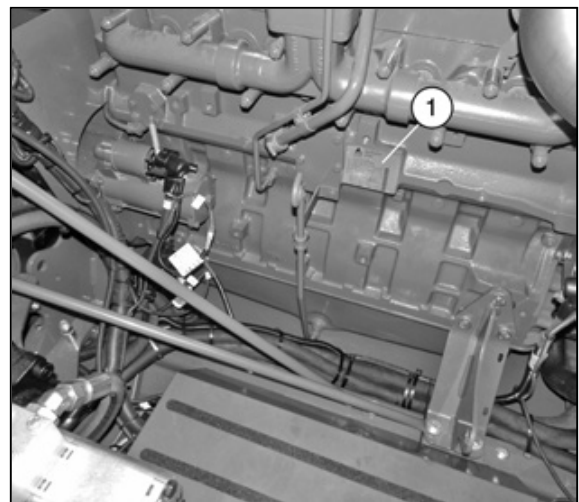


Fig. 5

1.3.3 Cutting table identification

The cutting table can be identified by a metal plate affixed on the left-hand side.



Fig. 6

1.3.4 Operator seat identification

The identification plate is located on the seat support. If you move the seat fully forward, you can access it.



Fig. 7

1.3.5 Hydrostatic pump identification

The type plate (1) is located on the front part of the pump.

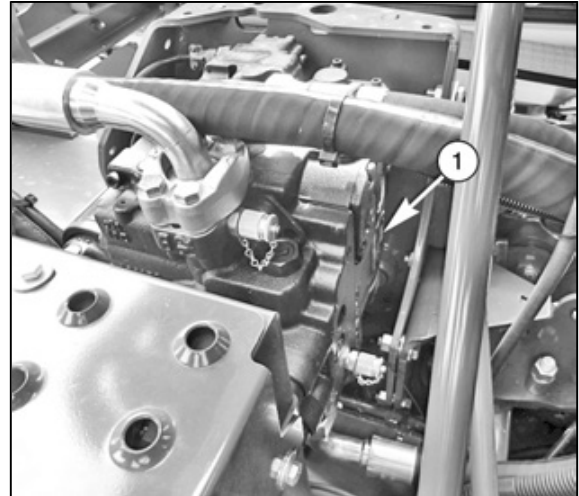


Fig. 8

1.3.6 Hydrostatic motor identification

The type plate is located on the lower part of the motor.

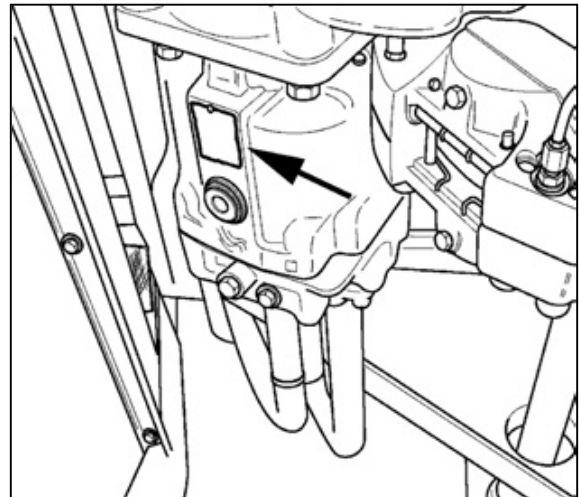


Fig. 9

1.3.7 Straw chopper identification (if fitted)

The straw chopper type plate is located on the right-hand side next to the rotor support.

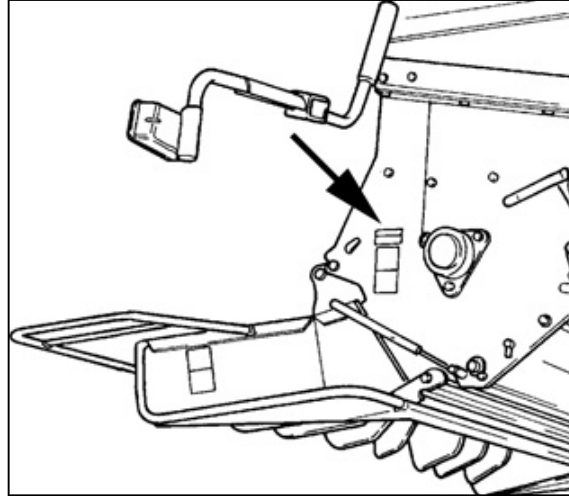


Fig. 10

1.3.8 Chaff spreader identification (if fitted)

The type plate is located on the right-hand side next to the chaff spreader adjustment lever.

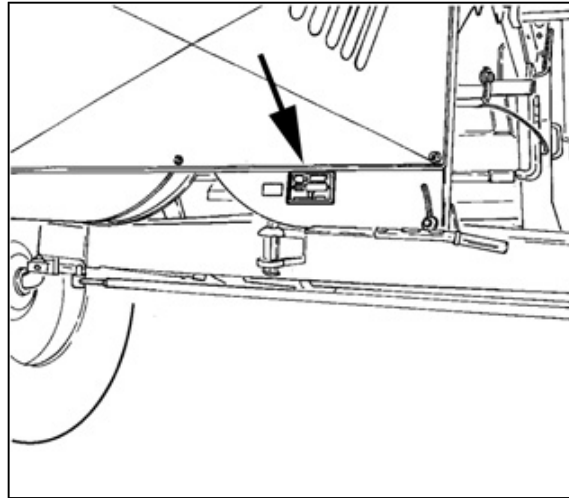


Fig. 11

1.3.9 Trailer hitch identification (if fitted)

The plate is positioned on the right-hand side of the trailer hitch.

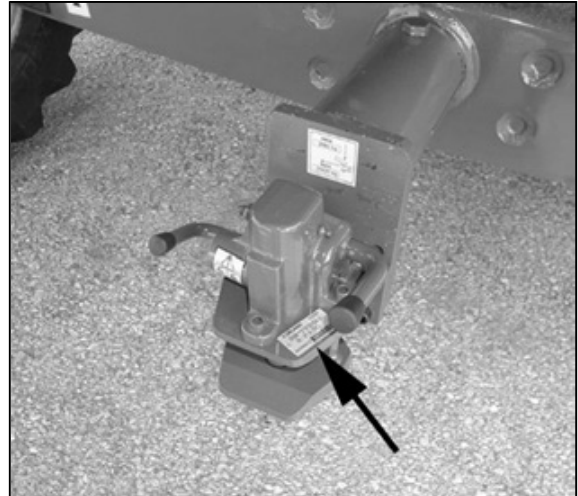


Fig. 12



1.4 Identification form

1.4.1 Machine data

Please enter the identification details of your combine on this card for convenient reference:

Combine model

Combine serial number

Engine type and serial number

Cab serial number

Straw chopper serial number

Cutting table serial number

Date of initial start-up

Dealer's telephone number

Thank you so much for reading.
Please click the “Buy Now!”
button below to download the
complete manual.



After you pay.

You can download the most
perfect and complete manual in
the world immediately.

Our support email:

ebooklibonline@outlook.com