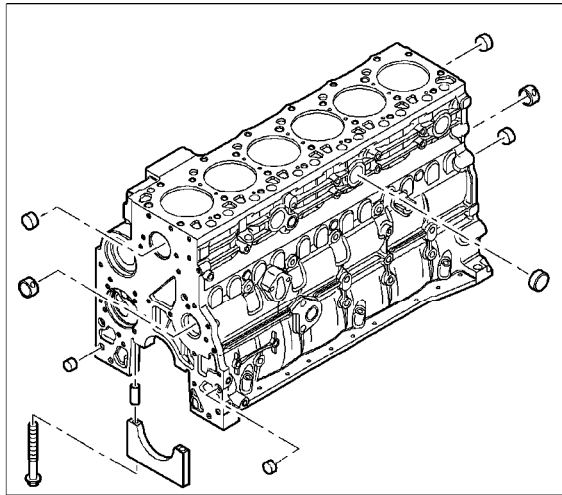


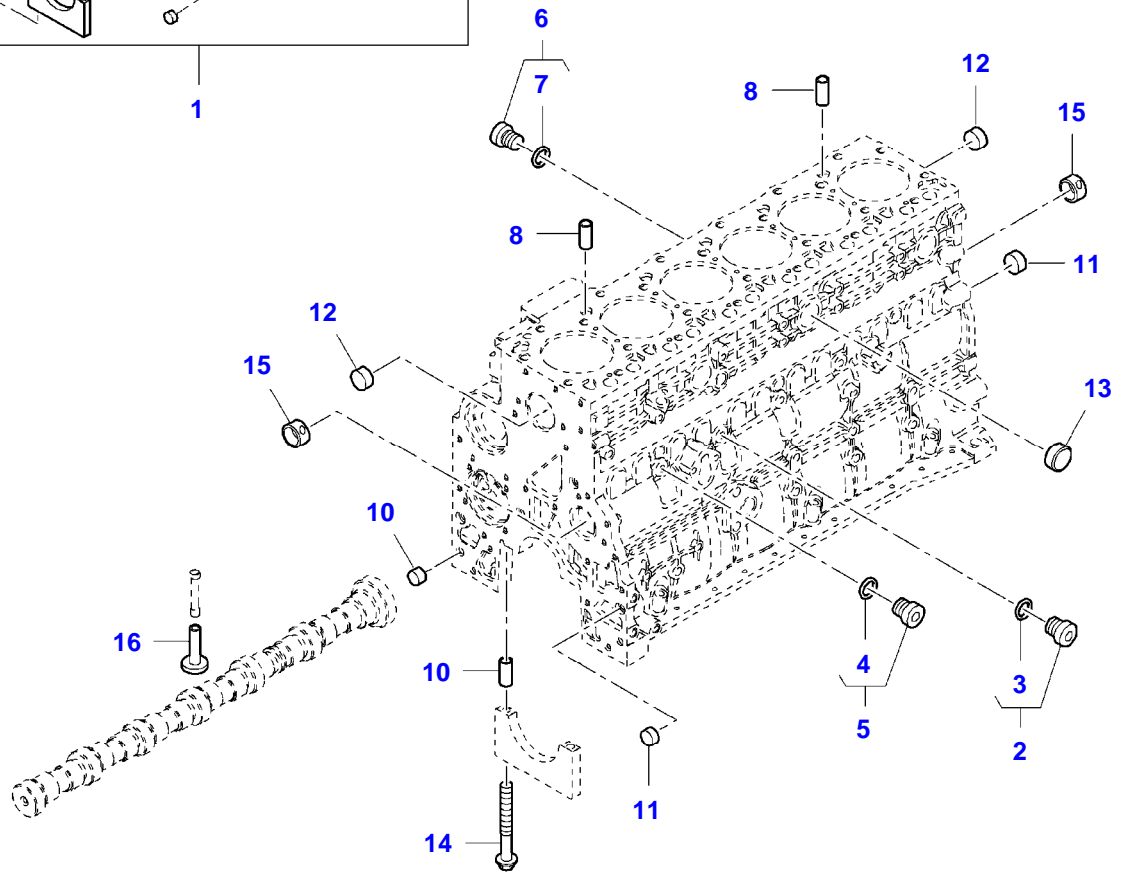
TABLE OF CONTENT

Page Number	Page Title	Page Reference
01-000-TOC	ENGINE, FUEL AND EXHAUST SYSTEM	01-000-TOC
02-000-TOC	DRIVE SYSTEM	02-000-TOC
03-000-TOC	AXLES	03-000-TOC
04-000-TOC	FRAME AND SUSPENSION	04-000-TOC
05-000-TOC	STEERING SYSTEM	05-000-TOC
06-000-TOC	DRIVE TRAIN SYSTEM	06-000-TOC
07-000-TOC	BRAKE SYSTEM	07-000-TOC
08-000-TOC	HYDRAULIC SYSTEM	08-000-TOC
09-000-TOC	ELECTRICAL SYSTEM	09-000-TOC
10-000-TOC	CAB	10-000-TOC
11-000-TOC	AIR CONDITIONING AND HEATING SYSTEM	11-000-TOC
12-000-TOC	CHASSIS	12-000-TOC
13-000-TOC	DECALS	13-000-TOC
14-000-TOC	WHEELS	14-000-TOC
15-000-TOC	FEEDING SYSTEM	15-000-TOC
16-000-TOC	THRESHING SYSTEM	16-000-TOC
17-000-TOC	CLEANING SYSTEM	17-000-TOC
18-000-TOC	GRAIN BIN AND ELEVATOR SYSTEM	18-000-TOC
19-000-TOC	DISCHARGE SYSTEM	19-000-TOC
20-000-TOC	ATTACHMENTS	20-000-TOC
21-000-TOC	ACCESSORIES	21-000-TOC

6250E & 6250L COMBINE (565510001-999 / 564210001-999 AL)
8021179-F5-1

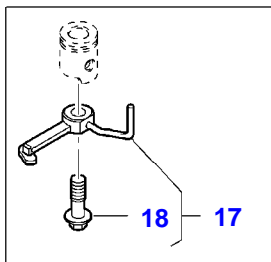


1



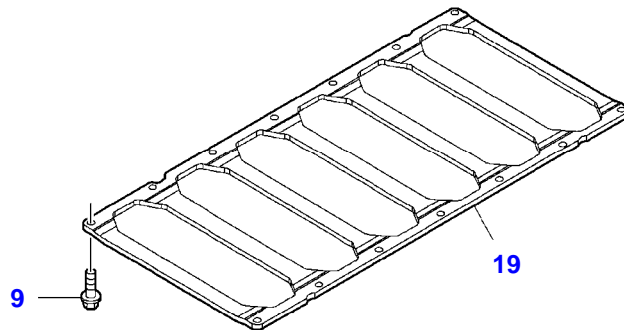
16

14



18

17

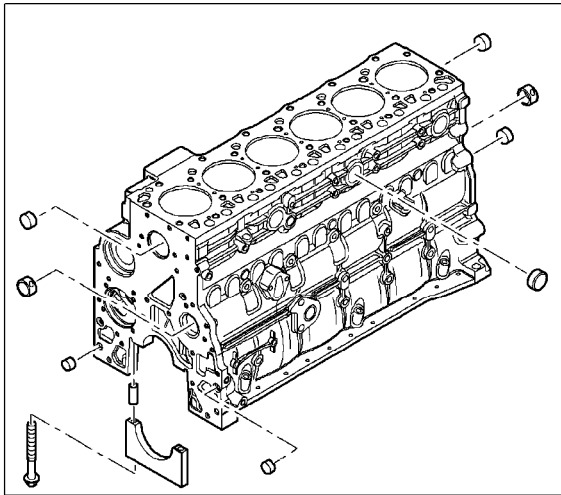


9

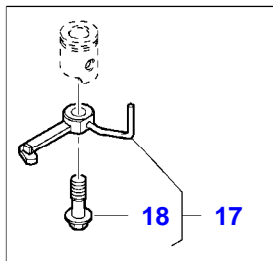
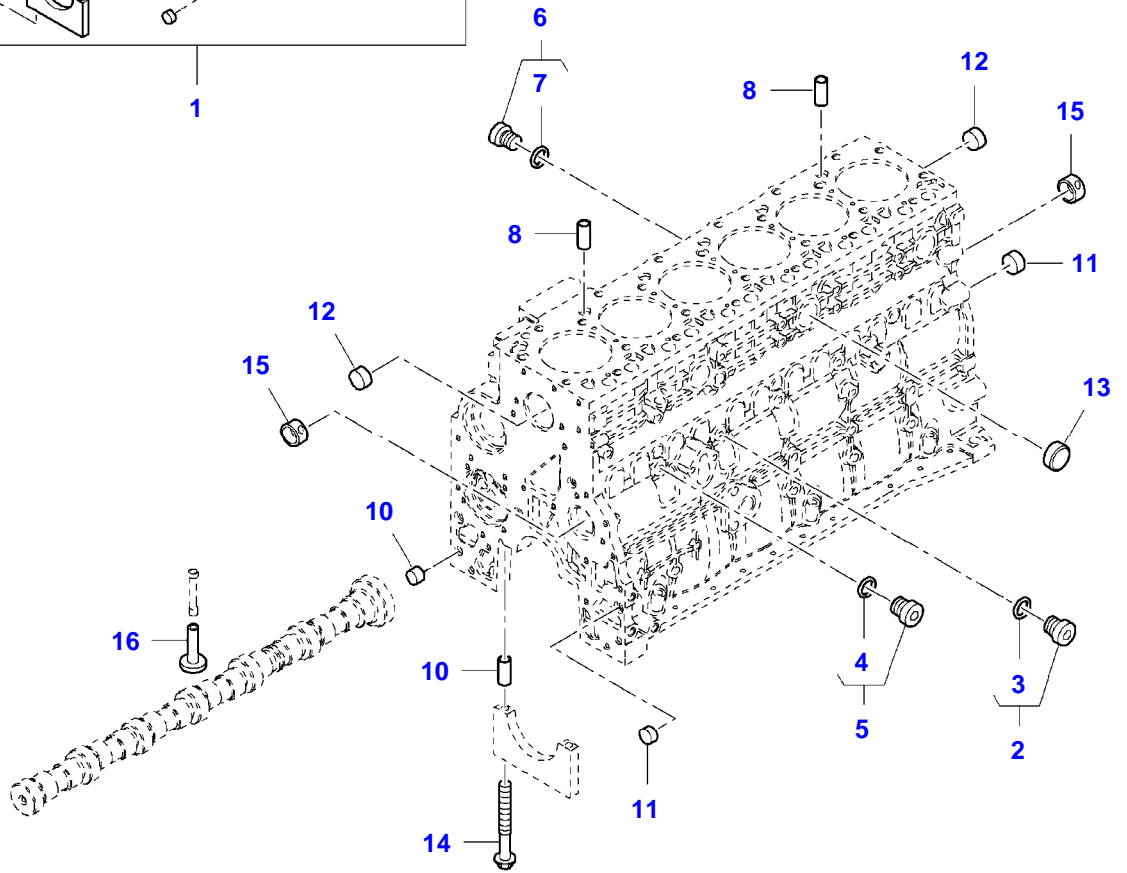
19

Item	Part Number	Qty	Description Comments	Technical Specification
			UP TO MACHINE S/N 565510032 (6250E)	
1	LA4897335	1	ENGINE BLOCK	
2	LA4895605	2	PLUG	M14 (1.5)
3	LA4899115	2	O RING	
4	LA4899009	2	PLUG	M10 (1.0)
5	LA4899072	2	O RING	
6	LA4895392	2	PLUG	M18 (1.5)
7	LA4895393	2	O RING	
8	LA4895049	2	DOWEL	
9	LA4899032	14	HEX CAP SCREW	M10 X 25
10	LA4899026	14	DOWEL	
11	LA4895039	3	PLUG	
12	LA4895038	6	PLUG	
13	LA4895228	3	PLUG	
14	LA4891353	14	HEX CAP SCREW	M12 X 120
15	LA4895040	2	BEARING	
16	LA4899803	12	VALVE	
17	LA504054307	6	JET	
18	LA4894218	1	FILLER	
19	LA4892080	1	PLATE	

6250E & 6250L COMBINE (565510001-999 / 564210001-999 AL)
8021121-F5-1

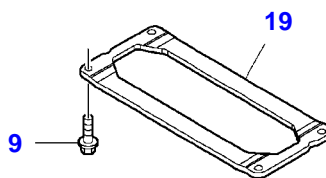


1



17

18

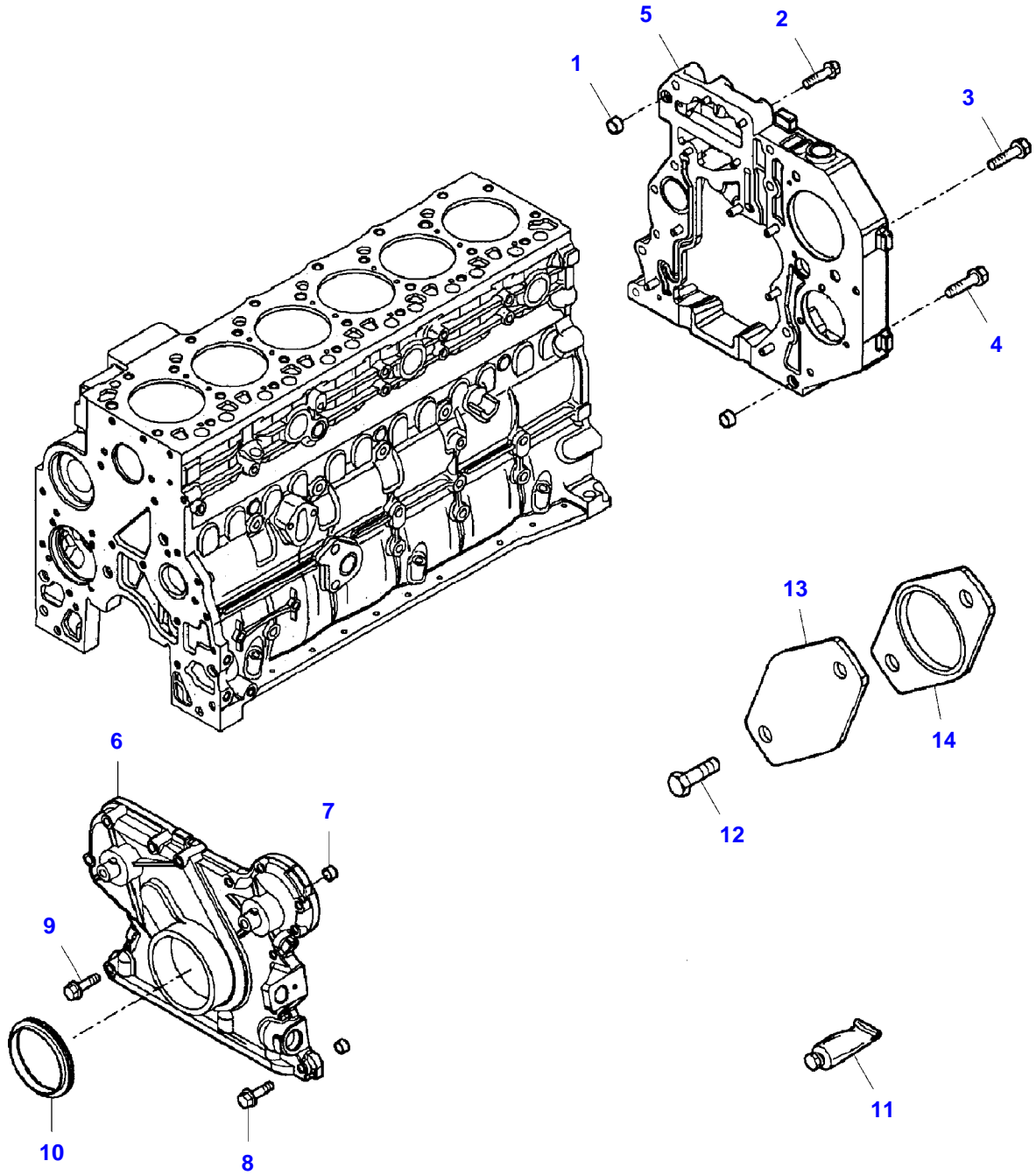


19

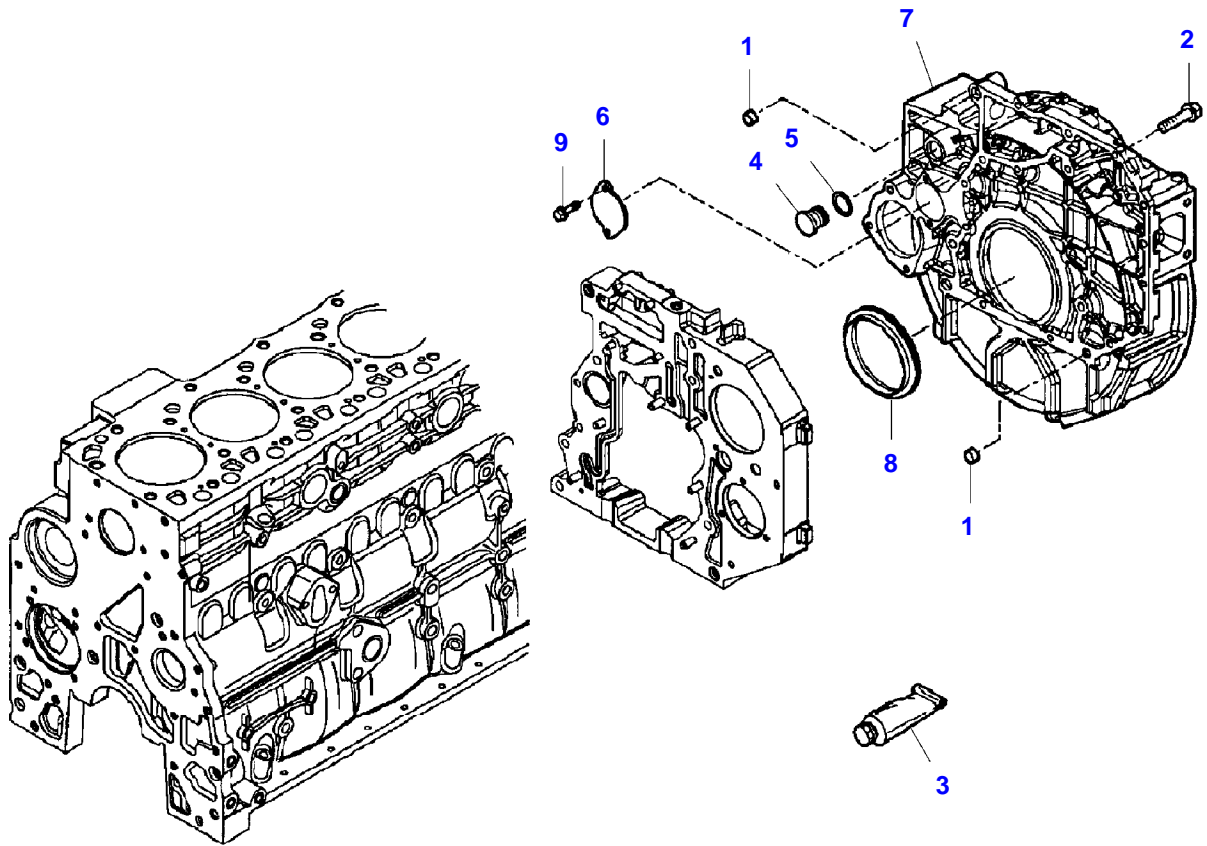
9

Item	Part Number	Qty	Description Comments	Technical Specification
			FROM MACHINE S/N 565510033 (6250E) 564210001 (6250L)	
1	LA2830076	1	ENGINE BLOCK	
2	LA4895605	2	PLUG	M14 (1.5)
3	LA4899115	2	O RING	
4	LA4899009	2	PLUG	M10 (1.0)
5	LA4899072	2	O RING	
6	LA4895392	2	PLUG	M18 (1.5)
7	LA4895393	2	O RING	
8	LA4895049	2	DOWEL	
9	LA4899032	14	HEX CAP SCREW	M10 X 25
10	LA4899026	14	DOWEL	
11	LA4895039	3	PLUG	
12	LA4895038	6	PLUG	
13	LA4895228	3	PLUG	
14	LA4891353	14	HEX CAP SCREW	M12 X 120
15	LA4895040	2	BEARING	
16	LA4899803	12	VALVE	
17	LA504054307	6	JET	
18	LA4894218	1	FILLER	
19	LA504076109	1	PLATE	

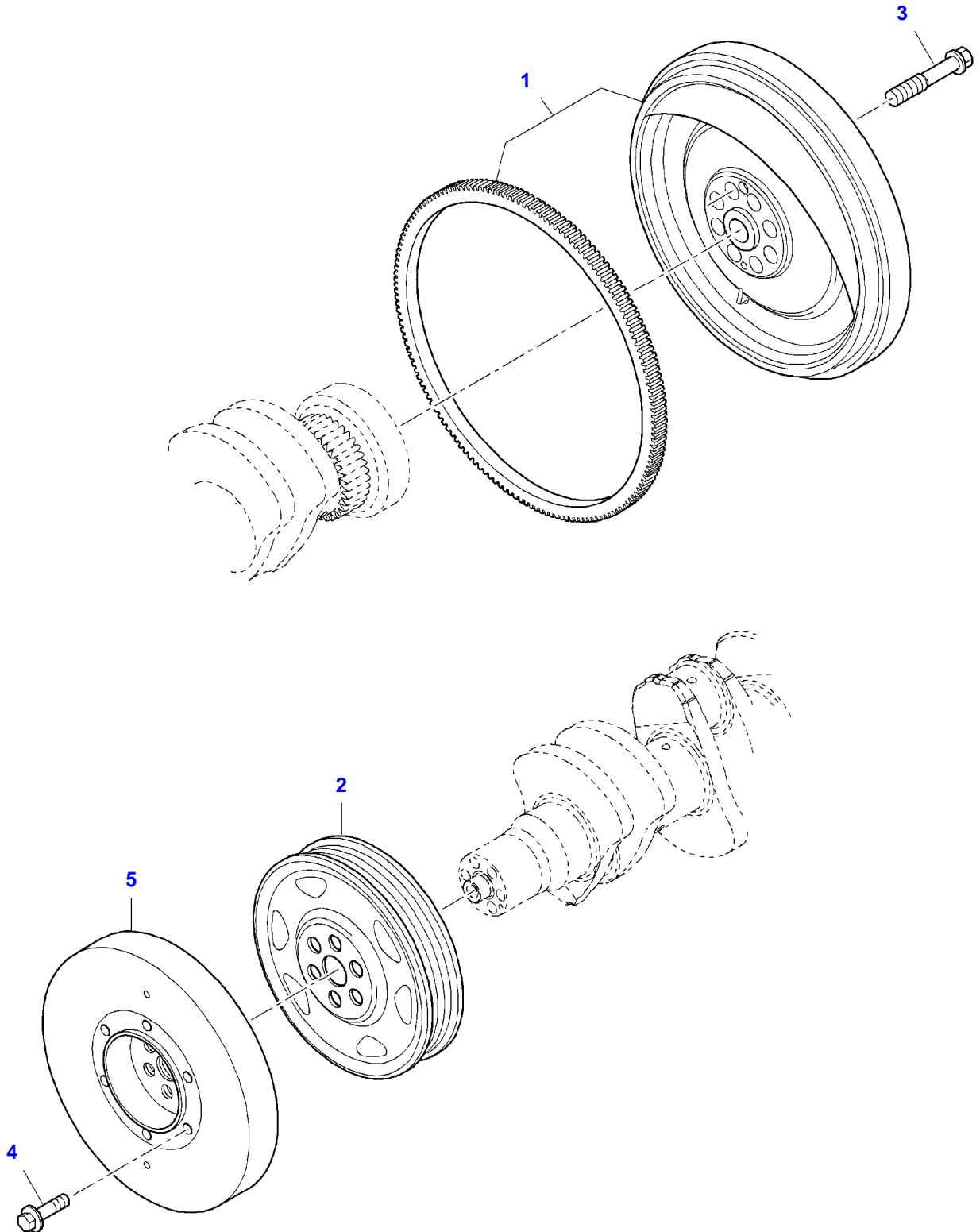
6250E & 6250L COMBINE (565510001-999 / 564210001-999 AL)
8020061-F5-1



Item	Part Number	Qty	Description Comments	Technical Specification
1	LA4899026	2	DOWEL	
2	LA4899078	4	HEX CAP SCREW	
3	LA4899093	2	HEX CAP SCREW	
	LA4899073	1	HEX CAP SCREW	
4	LA4896939	3	HEX CAP SCREW	
5	LA4899678	1	GEARBOX	
6	LA4897026	1	COVERING	
7	LA4891209	2	PLUG	
8	LA4899063	8	HEX CAP SCREW	M8 X 30
9	LA4899078	5	HEX CAP SCREW	
10	LA4890832	1	SEAL	
11	LA2992504	1	ADHESIVE	
12	LA16677735	2	HEX CAP SCREW	M12 X 25
13	LA504049033	1	COVERING	
14	LA4896897	1	GASKET	



Item	Part Number	Qty	Description Comments	Technical Specification
1	LA4899026	2	DOWEL	
2	LA4899109	2	HEX CAP SCREW	M10 X 80 (1.5)
	LA4892915	10	HEX CAP SCREW	M10 X 40 (1.5)
	LA4899076	6	HEX CAP SCREW	M12 X 80
	LA4897499	2	SCREW	
3	LA2992504	1	ADHESIVE	
4	LA4895378	1	PLUG	Ø 29 MM
5	LA17288480	1	O-RING	Ø 21,81 X 3,53 MM
6	LA4895155	1	COVERING	
7	LA504033868	1	COVERING	
8	LA4890833	1	SEAL	
9	LA4899068	2	HEX CAP SCREW	M8 X 17



Fendt

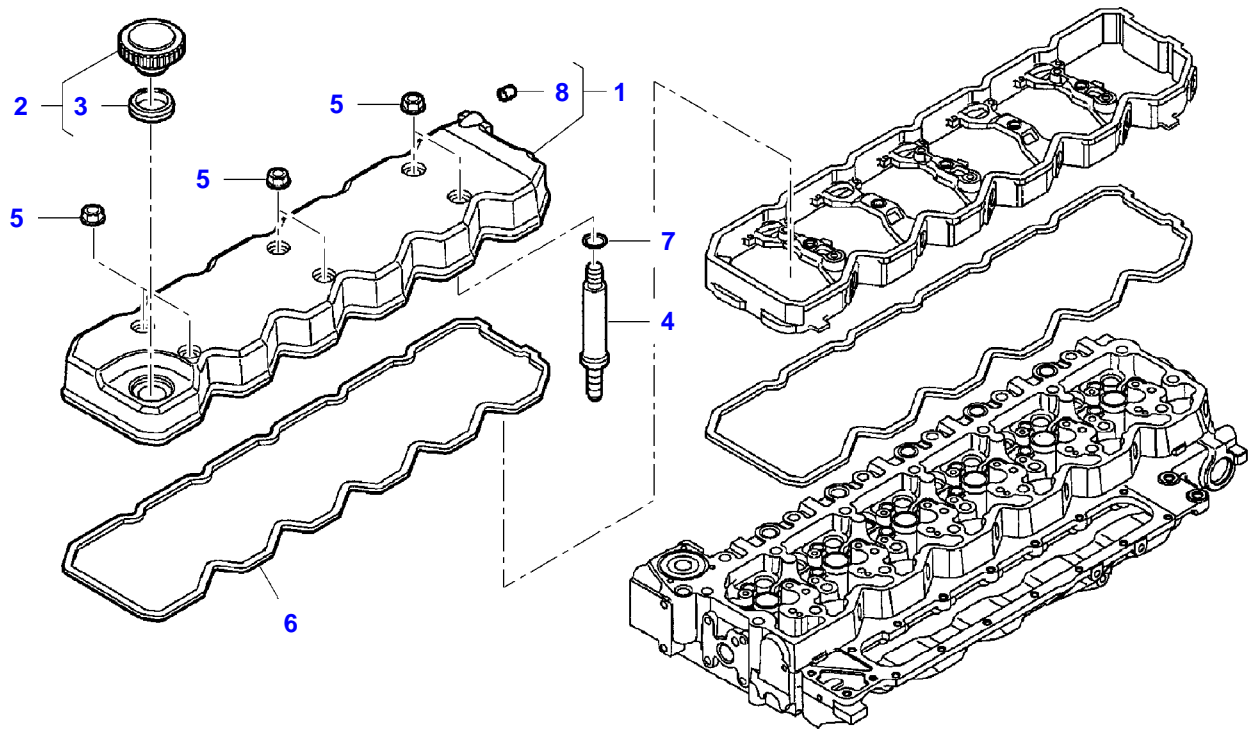
6250E & 6250L COMBINE (565510001-999 / 564210001-999 AL)

3906037

ENGINE - FLYWHEEL

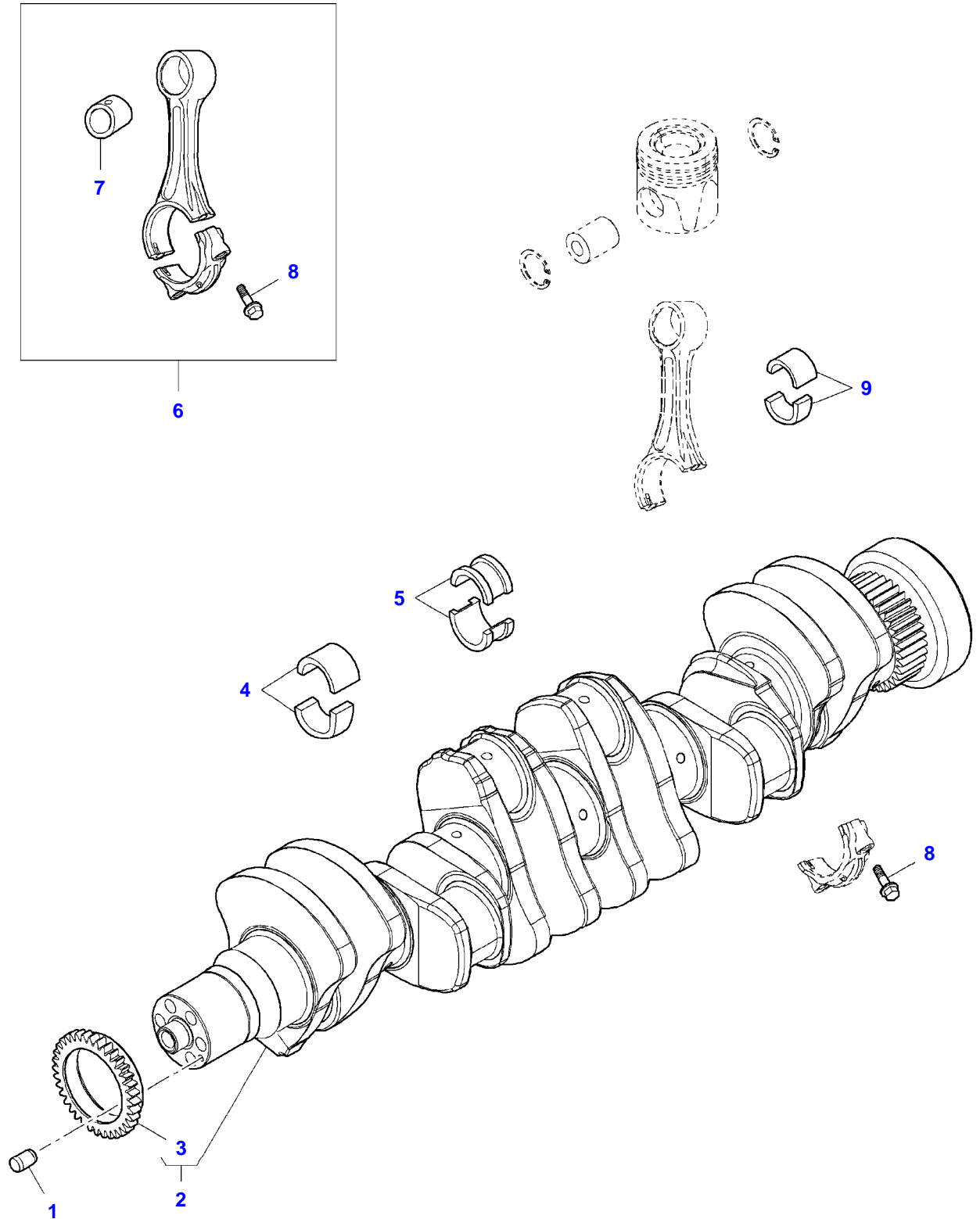
Page01-0012

Item	Part Number	Qty	Description Comments
1	LA504006952	1	FLYWHEEL
2	LA4896773	1	PULLEY
3	LA4894641	8	SCREW
4	LA4892867	6	BOLT
5	LA4892893	1	DAMPER



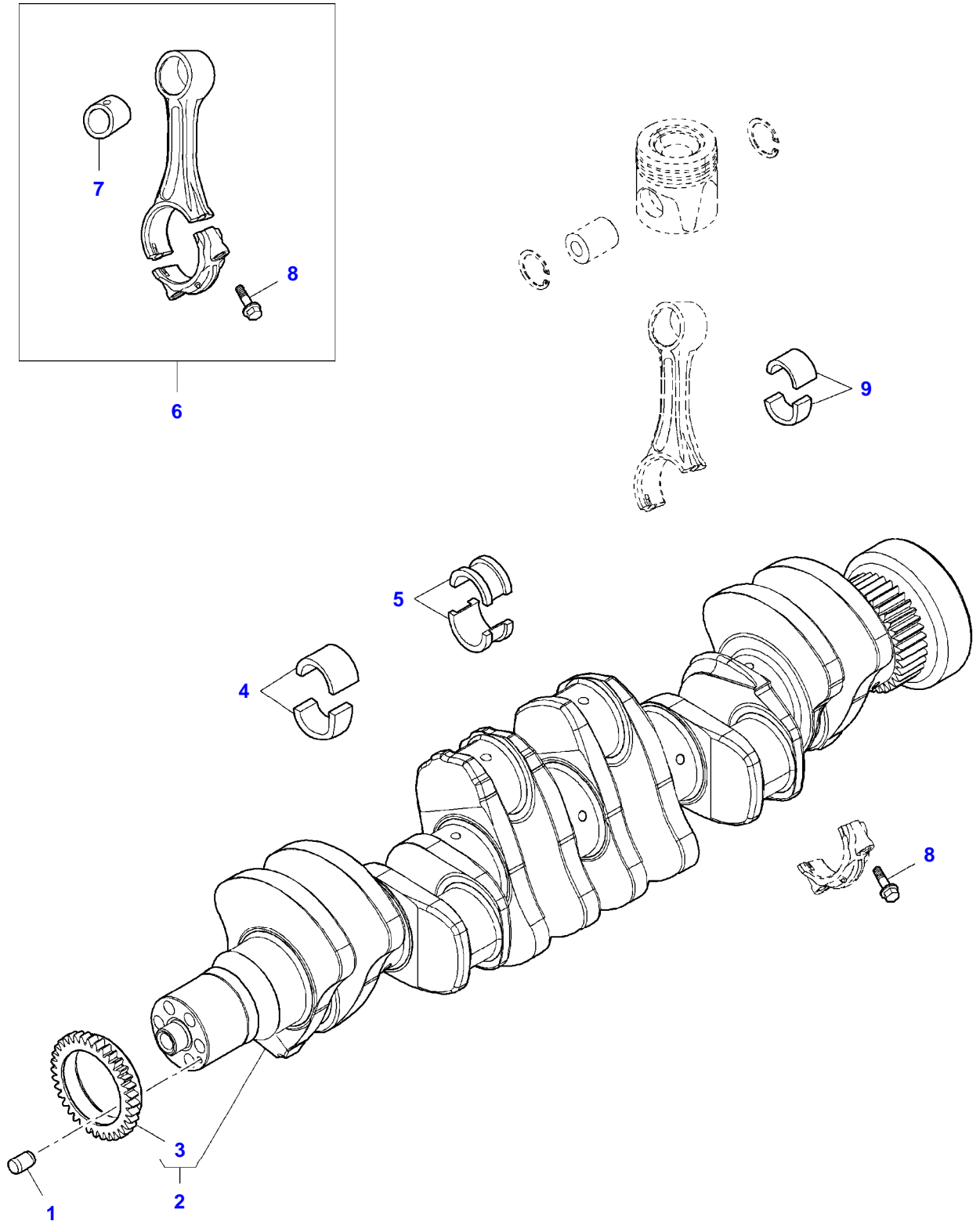
Item	Part Number	Qty	Description Comments
1	LA323015750	1	COVERING
2	LA323017750	1	PLUG
3	LA323015850	1	SEAL
4	LA504129243	6	SCREW
5	LA504075125	6	NUT
6	LA4899226	1	GASKET UP TO MACHINE S/N 565510032
	LA504070038	1	GASKET FROM MACHINE S/N 565510033 FROM MACHINE S/N 564210001 AL
7	LA504070041	6	GASKET
8	LA4898283	1	PLUG

6250E & 6250L COMBINE (565510001-999 / 564210001-999 AL)
8021050-F5-1

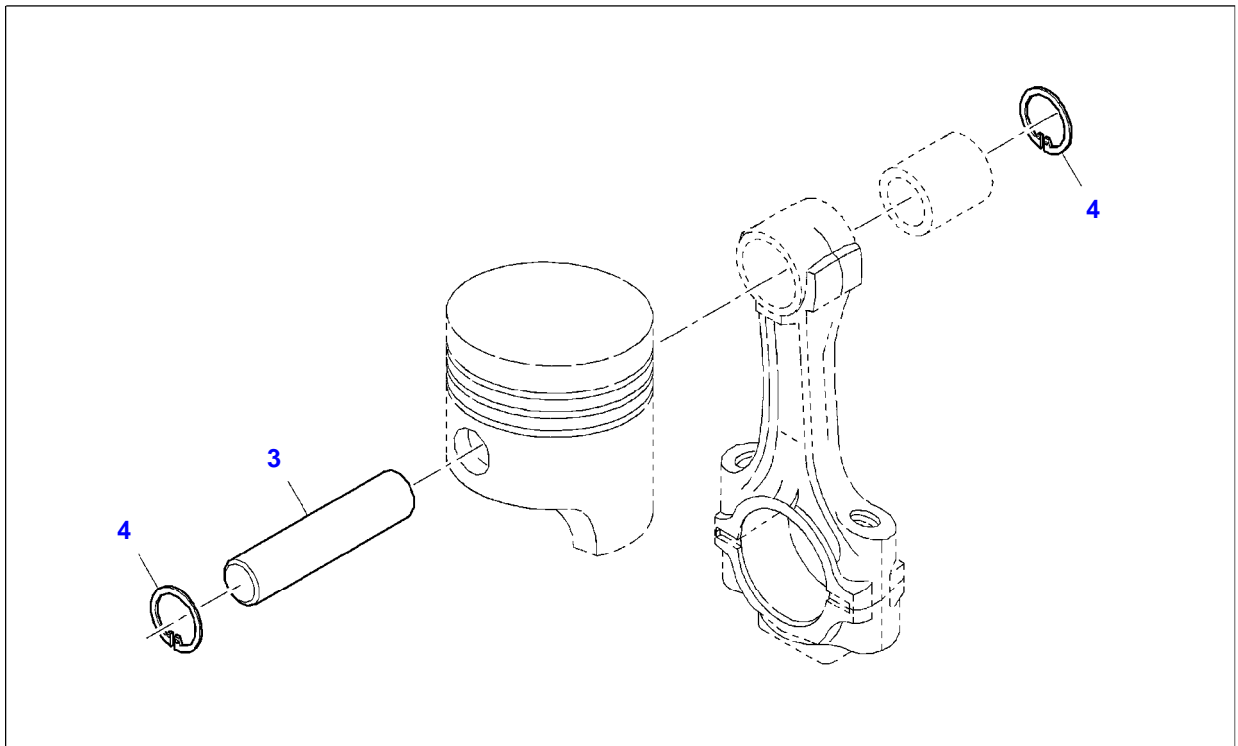
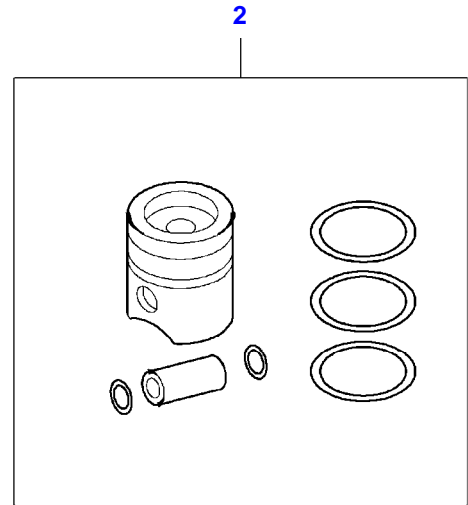
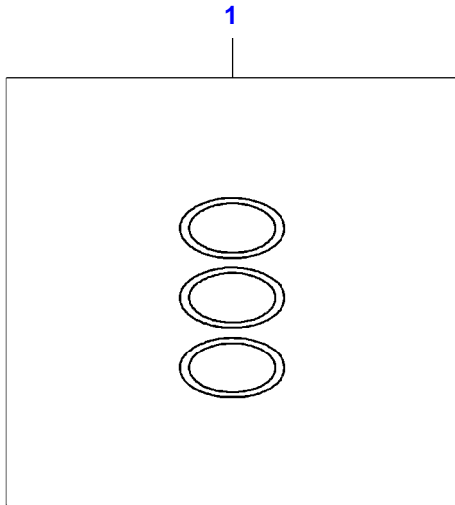


Item	Part Number	Qty	Description Comments	Technical Specification
			UP TO MACHINE S/N 565510032 (6250E)	
1	LA4899046	1	DOWEL	
2	LA4896766	1	MOTOR SHAFT	
3	LA4893386	1	GEAR	
4	LA2995787	6	BEARING STANDARD	
	LA2995788	6	BEARING	-0,250
	LA2995789	6	BEARING	-0,500
5	LA2995784	1	BEARING STANDARD	
	LA2995785	1	BEARING	-0,250
	LA2995786	1	BEARING	-0,500
6	LA4898808	6	CONROD	
7	LA4891178	1	BUSH	
8	LA4891179	2	SCREW	
9	LA2996044	6	CONROD BEARING STANDARD	
	LA2992151	6	CONROD BEARING	-0,250
	LA2992152	6	CONROD BEARING	-0,500

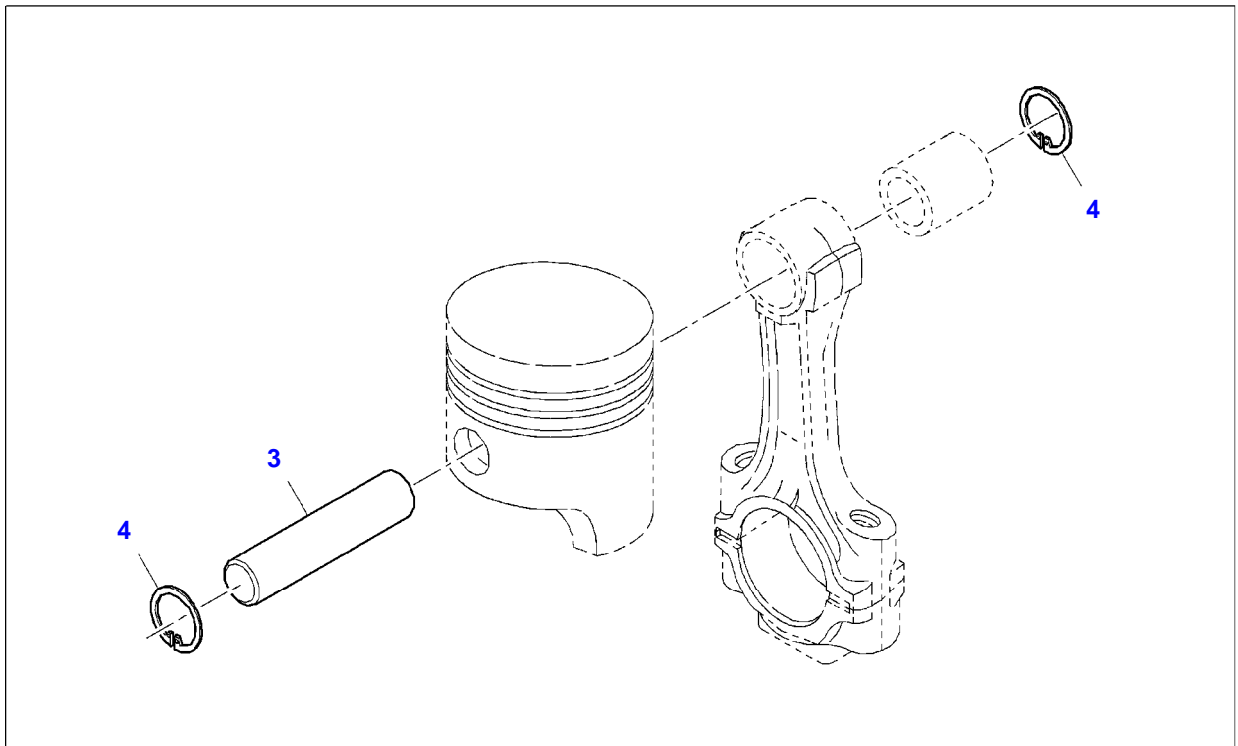
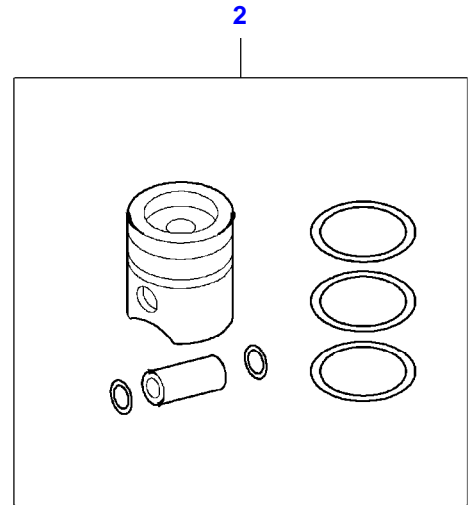
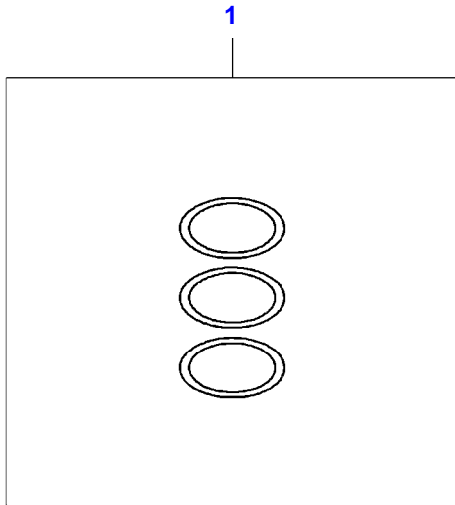
6250E & 6250L COMBINE (565510001-999 / 564210001-999 AL)
8020969-F5-1



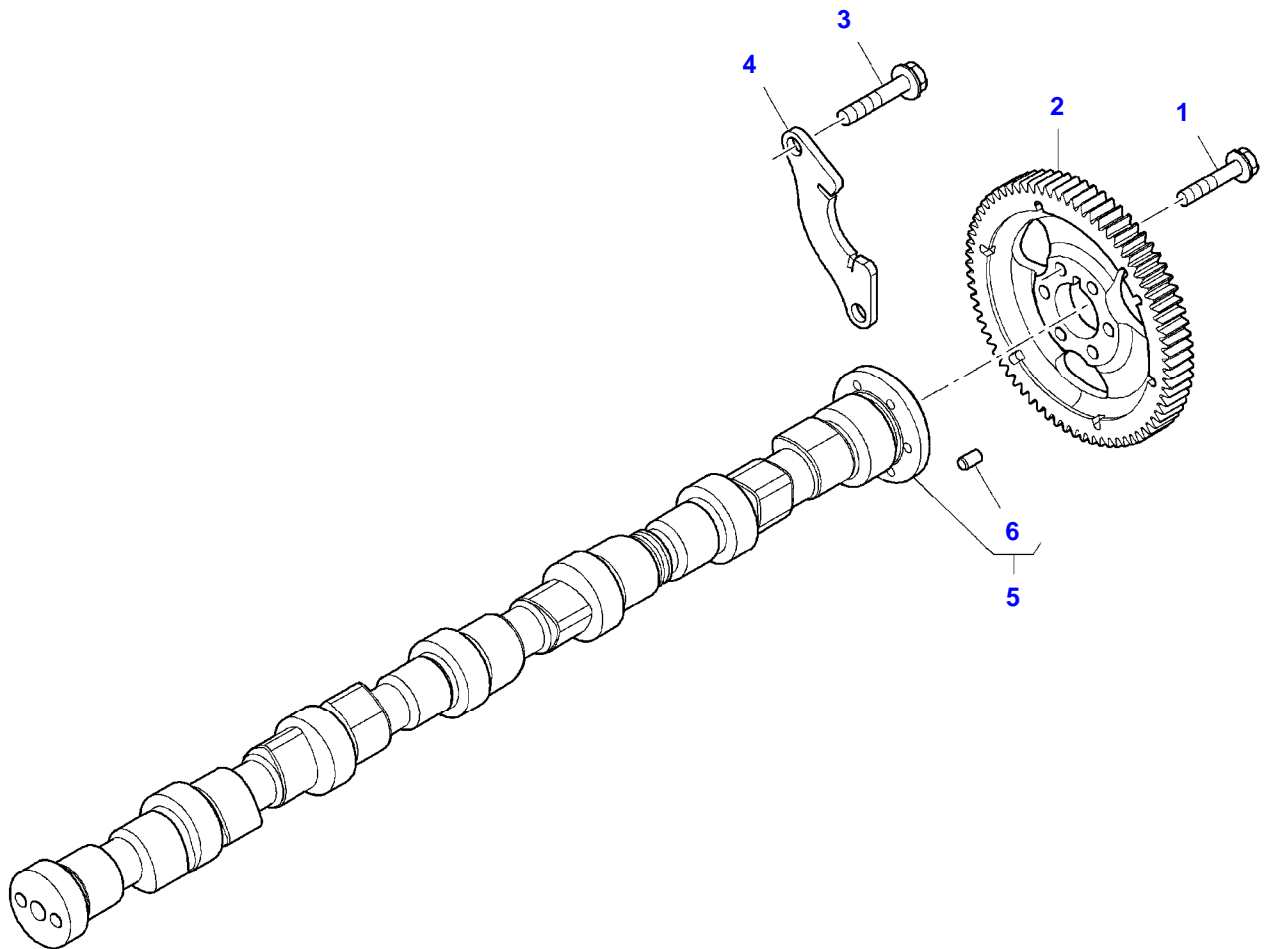
Item	Part Number	Qty	Description Comments	Technical Specification
			FROM MACHINE S/N 565510033 (6250E) 564210001 (6250L)	
1	LA4899046	1	DOWEL	
2	LA504057571	1	MOTOR SHAFT	
3	LA4893386	1	GEAR	
4	LA2992147	6	BEARING STANDARD	
	LA2992148	6	BEARING	-0,250
	LA2992149	6	BEARING	-0,500
5	LA2995784	1	BEARING STANDARD	
	LA2995785	1	BEARING	-0,250
	LA2995786	1	BEARING	-0,500
6	LA2831298	6	PISTON ROD	
7	LA4892708	1	BUSH	
8	LA2831297	2	BOLT	
9	LA8093882	6	BEARING STANDARD	
	LA8094960	6	BEARING	-0,250
	LA8094961	6	BEARING	-0,500



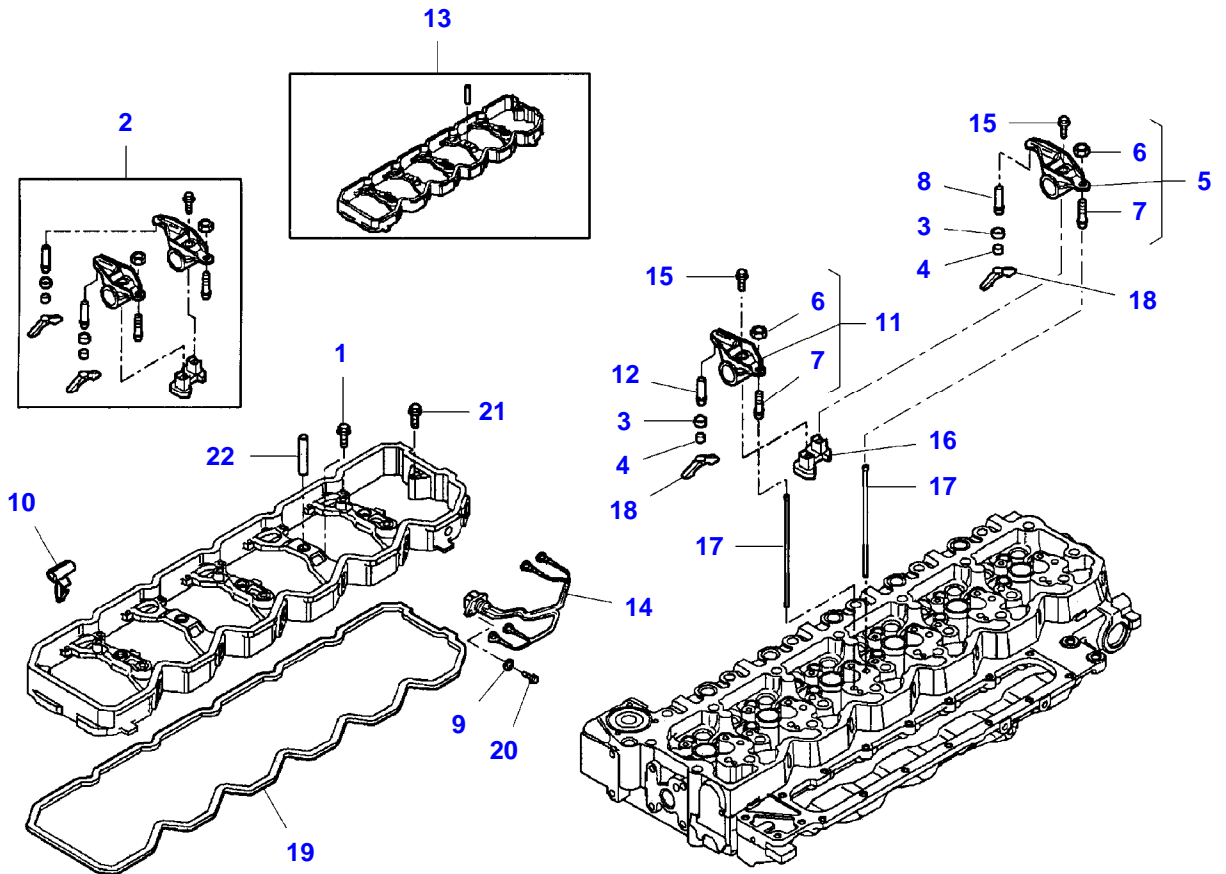
Item	Part Number	Qty	Description Comments	Technical Specification
			UP TO MACHINE S/N 565510032 (6250E)	
1	LA2992560	6	RING SET STANDARD	
	LA2992561	6	RING SET	+0,5
2	LA2992558	6	PISTON STANDARD	
	LA2992559	6	PISTON	+0,5
3	LA504046494	6	PISTON PIN	
4	LA4895088	12	CIRCLIP	



Item	Part Number	Qty	Description Comments	Technical Specification
			FROM MACHINE S/N 565510033 (6250E) 564210001 (6250L)	
1	LA8094845	6	RING SET STANDARD	
	LA8094847	6	RING SET	+0,4
2	LA8094846	6	PISTON STANDARD	
	LA8094848	6	PISTON	+0,4
3	LA4892712	6	PISTON PIN	
4	LA504093651	12	CIRCLIP	

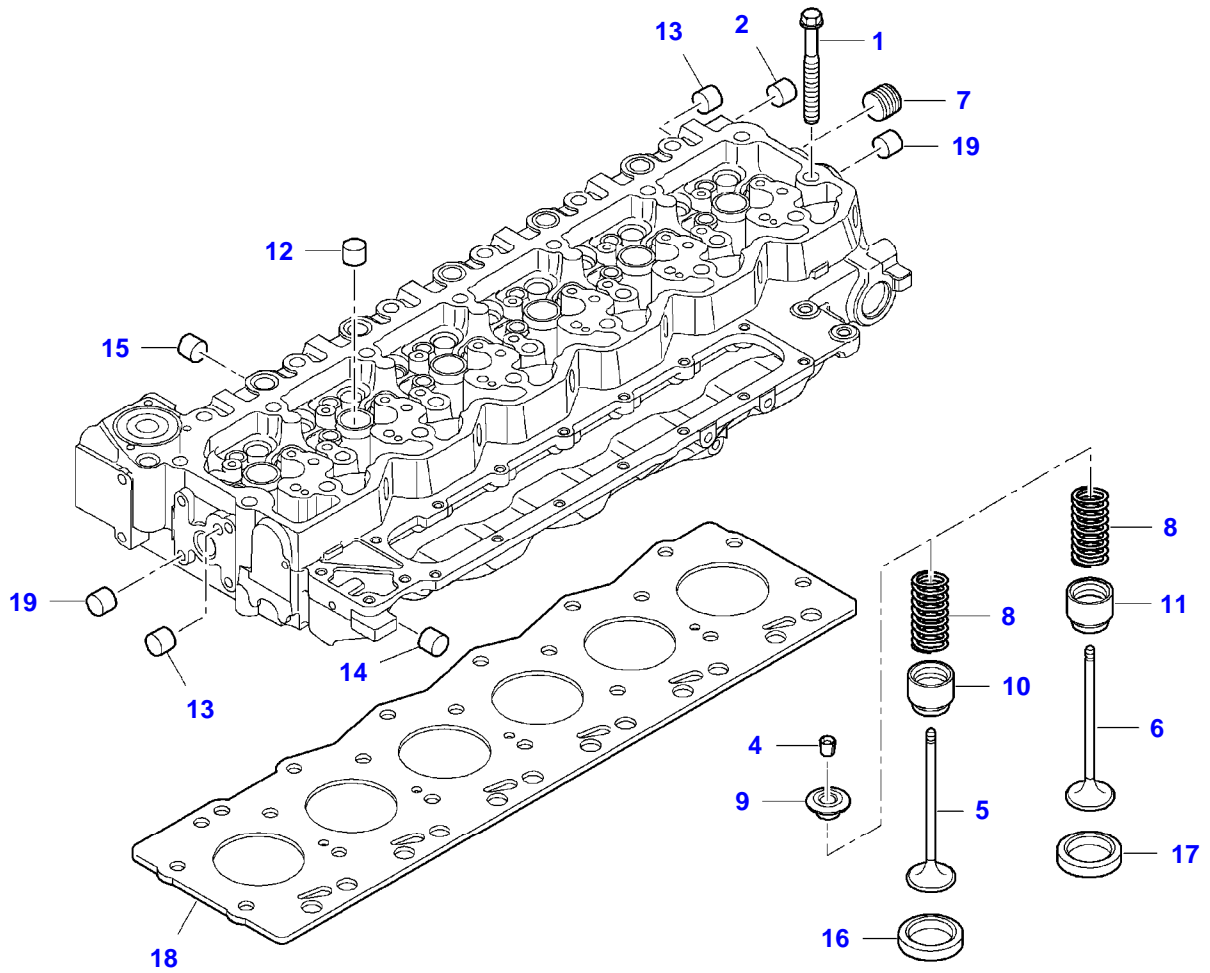
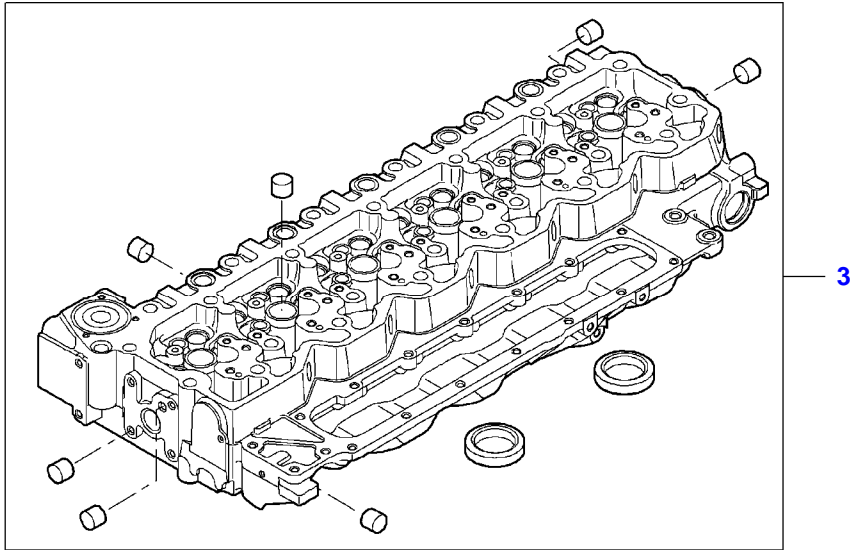


Item	Part Number	Qty	Description Comments	Technical Specification
1	LA4899079	6	HEX CAP SCREW	
2	LA4896380	1	GEAR	
3	LA4899068	2	HEX CAP SCREW	M8 X 17
4	LA4897457	1	STIRRUP	
5	LA4896421	1	CAMSHAFT UP TO MACHINE S/N 565510032	
	LA504080211	1	CAMSHAFT FROM MACHINE S/N 565510033 FROM MACHINE S/N 564210001 AL	
6	LA4899080	1	DOWEL	

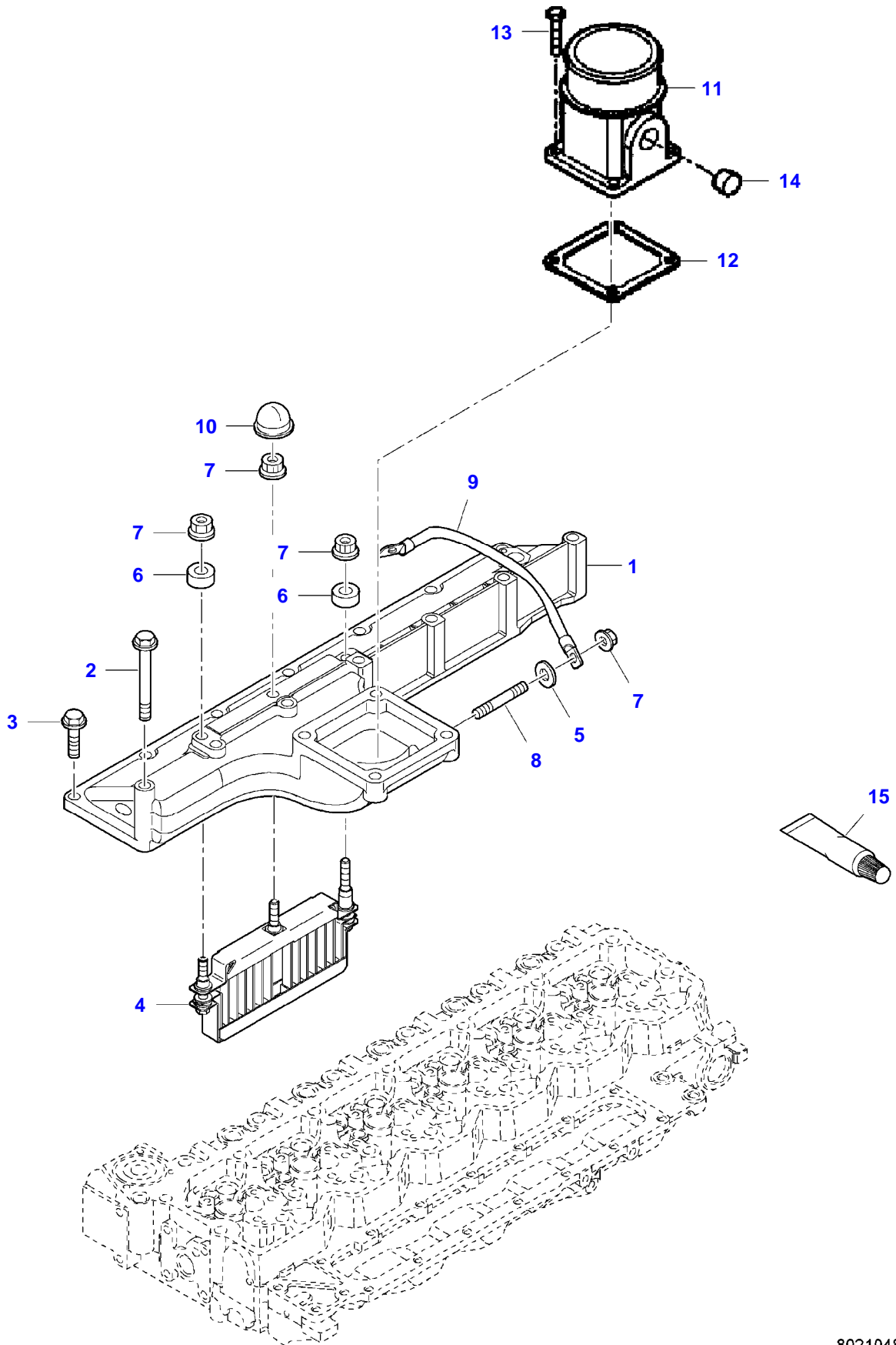


Item	Part Number	Qty	Description Comments	Technical Specification
1	LA4895432	5	SCREW	M8 X 70 (1.25)
2	LA4898717	6	ROCKER ARM SHAFT	
3	LA4897248	12	CUP	
4	LA4897245	12	SKATE	
5	LA4895068	6	ROCKER ARM	
6	LA4899089	2	SCREW	
7	LA2830222	12	SCREW	
8	NS	2	NON-SERVICEABLE PART	
9	LA17094614	3	WASHER	
10	LA504066132	6	CLAMPING CLIP	
11	LA4895067	6	ROCKER ARM	
12	NS	2	NON-SERVICEABLE PART	
13	LA4899257	1	SPACER	
14	LA504039152	3	ELECTRICAL WIRE	
15	LA4899083	12	SCREW	
			UP TO ENGINE S/N 37130	
	LA2830434	12	SCREW	
			FROM ENGINE S/N 37131	
16	LA4893487	6	SUPPORT	
17	LA4895031	12	ROD	
18	LA504085415	12	BRIDGE	
19	LA504070040	1	GASKET	
20	LA16689121	3	SCREW	
21	LA4899089	2	SCREW	
22	LA4899245	5	BUSH	

6250E & 6250L COMBINE (565510001-999 / 564210001-999 AL)
8020942-F5-1



Item	Part Number	Qty	Description Comments	Technical Specification
1	LA4891024	12	HEX CAP SCREW	M12 X 130
	LA4891025	14	HEX CAP SCREW	M12 X 150
2	LA4893036	3	PLUG	
3	LA2831279	1	CYLINDER HEAD	
4	LA4899081	48	HALF CONE	
5	LA4895051	12	VALVE	
6	LA4895052	12	VALVE	
7	LA4895079	1	PLUG	
8	LA4895073	24	SPRING	
9	LA4895074	24	CUP	
10	LA4895072	24	CAP	
			UP TO ENGINE S/N 63211	
	LA2831287	24	CAP	
			FROM ENGINE S/N 63212	
11	LA4895411	24	CAP	
			UP TO ENGINE S/N 63211	
	LA2831287	24	CAP	
			FROM ENGINE S/N 63212	
12	LA4895089	11	PLUG	
13	LA4895406	7	PLUG	
14	LA4895407	2	PLUG	
15	LA4895408	2	PLUG	
16	LA4897106	12	VALVE SEAT	
			UP TO ENGINE S/N 63211	
	LA4893244	12	VALVE SEAT	
			FROM ENGINE S/N 63212	
17	LA4897578	12	VALVE SEAT	
			UP TO ENGINE S/N 63211	
	LA4893244	12	VALVE SEAT	
			FROM ENGINE S/N 63212	
18	LA2830704	1	GASKET	
19	LA4895085	13	PLUG	



Thank you so much for reading.
Please click the “Buy Now!”
button below to download the
complete manual.



After you pay.

You can download the most
perfect and complete manual in
the world immediately.

Our support email:

ebooklibonline@outlook.com