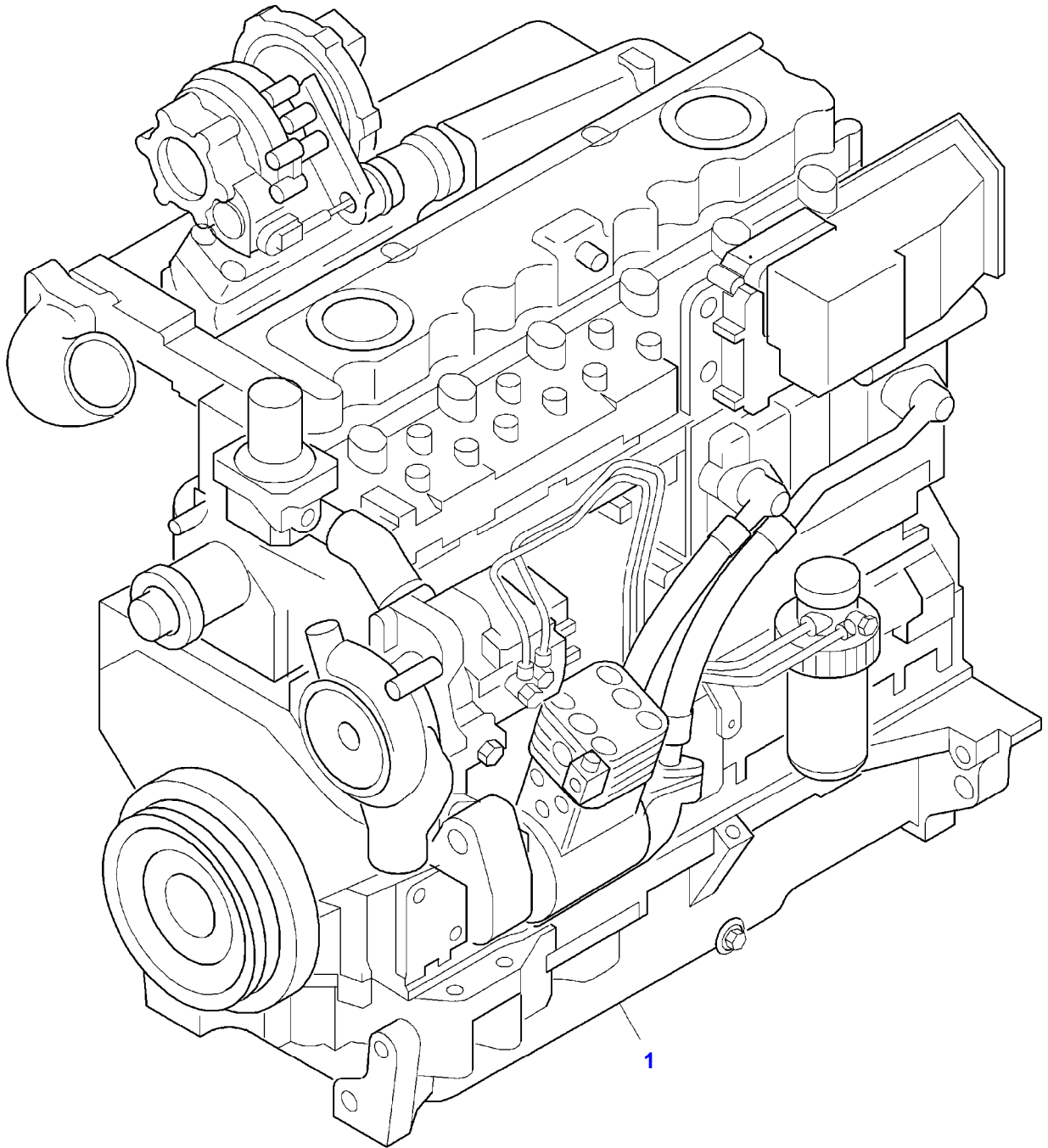


TABLE OF CONTENT

Page Number	Page Title	Page Reference
01-000-TOC	ENGINE	01-000-TOC
02-000-TOC	ENGINE INSTALLATION	02-000-TOC
03-000-TOC	DRIVE SYSTEM	03-000-TOC
04-000-TOC	AXLES	04-000-TOC
05-000-TOC	STEERING SYSTEM	05-000-TOC
06-000-TOC	DRIVE TRAIN SYSTEM	06-000-TOC
07-000-TOC	BRAKE SYSTEM	07-000-TOC
08-000-TOC	HYDRAULIC SYSTEM	08-000-TOC
09-000-TOC	ELECTRICAL SYSTEM	09-000-TOC
10-000-TOC	CAB	10-000-TOC
11-000-TOC	AIR CONDITIONING AND HEATING SYSTEM	11-000-TOC
12-000-TOC	CHASSIS	12-000-TOC
13-000-TOC	DECALS	13-000-TOC
14-000-TOC	WHEELS	14-000-TOC
15-000-TOC	FEEDING SYSTEM	15-000-TOC
16-000-TOC	THRESHING SYSTEM	16-000-TOC
17-000-TOC	CLEANING SYSTEM	17-000-TOC
18-000-TOC	GRAIN BIN AND ELEVATOR SYSTEM	18-000-TOC
19-000-TOC	DISCHARGE SYSTEM	19-000-TOC
20-000-TOC	ACCESSORIES	20-000-TOC

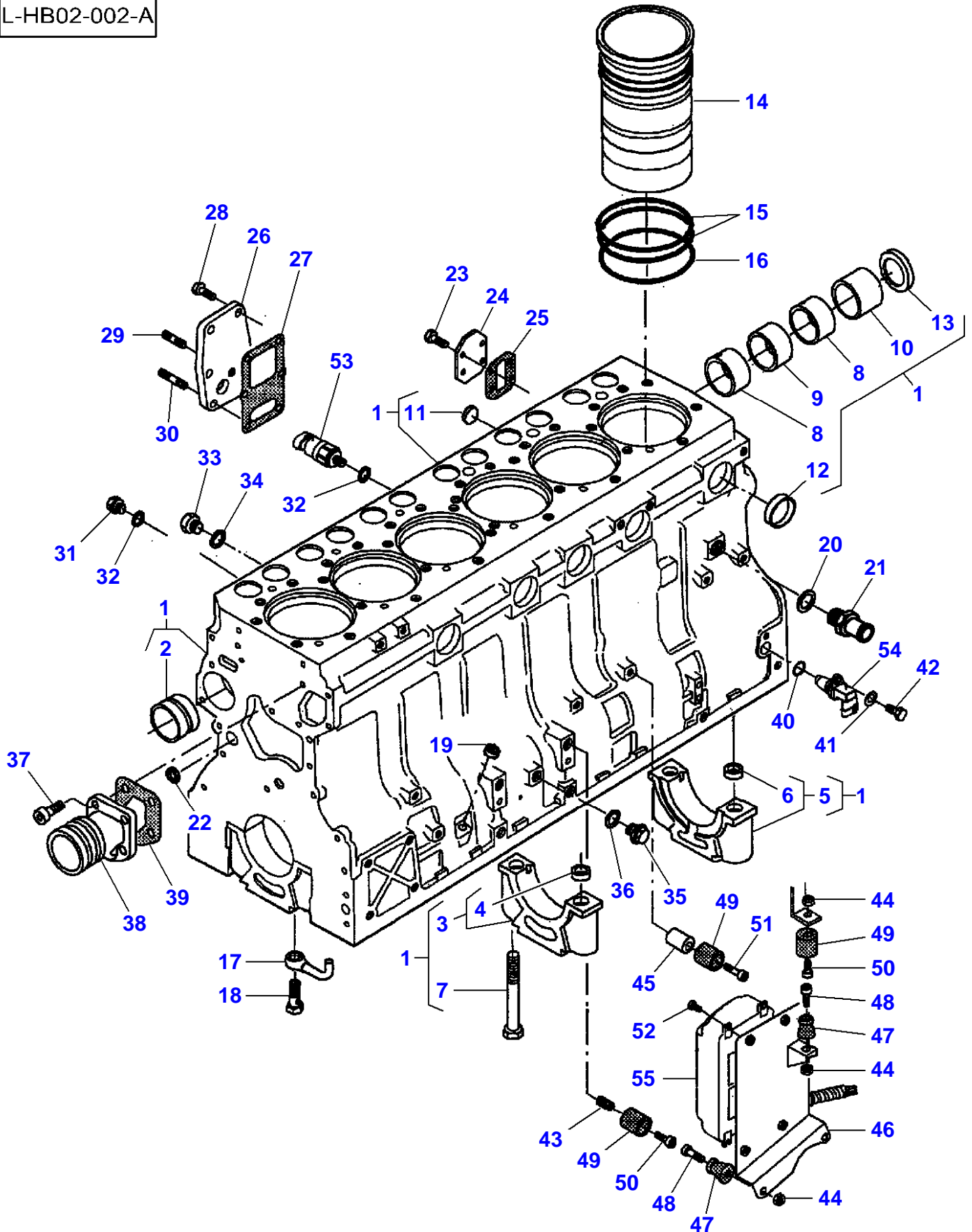


ENGINE ASSEMBLIES

Item	Part Number	Qty	Description Comments	Technical Specification
1	V832961326	1	ENGINE UP TO ENGINE S/N R19123	84 ETA
	V835261643	1	ENGINE FROM ENGINE S/N R19124 UP TO MACHINE S/N 563010227 UP TO MACHINE S/N 563410066 AL REPAIRS AND REPLACES LA323255500	84 CTA-4V
	V835261863	1	ENGINE FROM ENGINE S/N S20239	84 CTA-4V
	V835276181	1	ENGINE FROM ENGINE S/N U1001	84 CTA-4V
2	V862961326X	1	SHORT BLOCK ENGINE [A]	84 ETA
	V865261643X	1	SHORT BLOCK ENGINE [A]	84 CTA-4V
	V865261863X	1	SHORT BLOCK ENGINE FROM ENGINE S/N S20239 [A]	84 CTA-4V
	V865276181X	1	SHORT BLOCK ENGINE FROM ENGINE S/N U1001 [A]	84 CTA-4V
3	V862961326V	1	LONG BLOCK ENGINE [A]	84 ETA
	V865261643V	1	LONG BLOCK ENGINE [A]	84 CTA-4V
	V865276181V	1	LONG BLOCK ENGINE [A] [A] NOT ILLUSTRATED	84 CTA-4V

6300C COMBINE (563010001-999 / 563410001-999 AL)
L-HB02-002-A

L-HB02-002-A



CYLINDER BLOCK

Item	Part Number	Qty	Description Comments	Technical Specification
			84ETA-4V UP TO ENGINE S/N R19123	
1	V836867046	1	CYLINDER-BLOCK	
2	V836866069	1	CAMSHAFT BEARING BUSH	
	V836866036	1	CAMSHAFT BEARING BUSH	+ 0.40 MM
3	NS	6	NON-SERVICEABLE PART	
4	V836214478	12	GUIDE SLEEVE	
5	NS	1	NON-SERVICEABLE PART	
6	V836214478	2	GUIDE SLEEVE	
7	V529903180	14	HEX CAP SCREW	
8	V836852460	2	CAMSHAFT BEARING BUSH	
9	V836852459	1	CAMSHAFT BEARING BUSH	
10	V836852461	1	CAMSHAFT BEARING BUSH	
11	V640016018	1	CUP PLUG	
12	V640016040	5	CUP PLUG	
13	V836852744	1	PLUG	
14	V836867048	6	LINER	
	V836867050	X	LINER	FLANGE HEIGHT + 0.05 MM
	V836867051	X	LINER	FLANGE HEIGHT + 0.10 MM
	V836867052	X	LINER	FLANGE HEIGHT + 0.15 MM
15	V836855446	12	CYLINDER LINER O-RING	
16	V836855447	6	CYLINDER LINER O-RING	
17	V836846231	1	PIPE	
18	V836338601	6	PRESSURE VALVE	
19	V640016012	1	CUP PLUG	
20	V615881824	1	SEALING WASHER	
21	V836664377	1	DRAIN VALVE	
22	V640016016	4	CUP PLUG	
23	V528801362	4	HEX CAP SCREW	
24	V836866957	1	COVER	
25	V836866958	1	GASKET	
26	V836855678	1	COVER	
27	V836322852	1	GASKET	
28	V528801380	5	HEX CAP SCREW	
29	V546801360	1	STUD BOLT	
30	V546801400	1	STUD BOLT	
31	V640325110	5	SCREW PLUG	
32	V615871014	6	SEALING WASHER	
33	V836119079	1	PLUG	
34	V615881620	1	SEALING WASHER	
35	V640325014	1	PLUG	
36	V615881420	1	SEALING WASHER	
37	VHC9326	4	HEX SOCKET SCREW	M8 X 20 SFS_EN_ISO_4762 8.8
38	V836855629	1	FLANGE	
39	V836855554	1	GASKET	
40	VKH7070	1	O-RING	15.3 X 2.4 90SH SMS1586
41	V500050842	1	WASHER	
42	V528801362	1	HEX CAP SCREW	
43	V836859153	1	THREADED BUSH	
44	V510600802	4	NUT	
45	V836652323	1	SPACER PIECE	
46	V836867134	1	ECU BRACKET	
47	V836666095	3	KNOB	
48	V581804630	3	HEX SOCKET SCREW	
49	V836666094	3	RUBBER BUSH	
50	V581804580	2	HEX SOCKET SCREW	
51	V581804680	1	HEX SOCKET SCREW	
52	V572504172	4	SCREW	
53	V836866613	1	SENSOR	
			SEE PAGE 01-0031	
54	V836866392	1	SPEED SENSOR	
			SEE PAGE 01-0031	

Fendt

6300C COMBINE (563010001-999 / 563410001-999 AL)

3906039

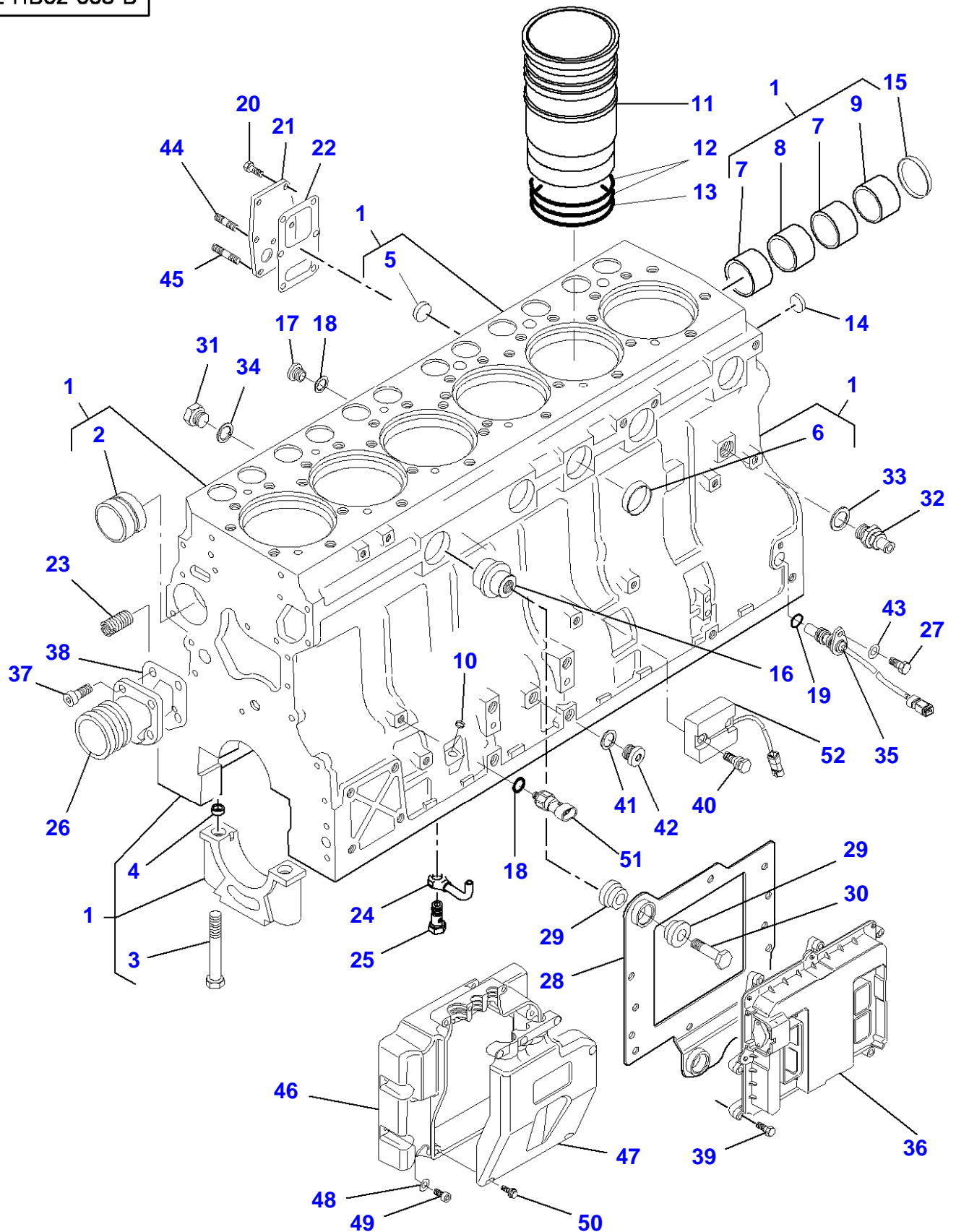
CYLINDER BLOCK

Page01-0004

Item	Part Number	Qty	Description Comments	Technical Specification
55	V836869220	1	ENGINE CONTROL UNIT SEE PAGE 01-0031	

6300C COMBINE (563010001-999 / 563410001-999 AL)
L-HB02-003-B

L-HB02-003-B



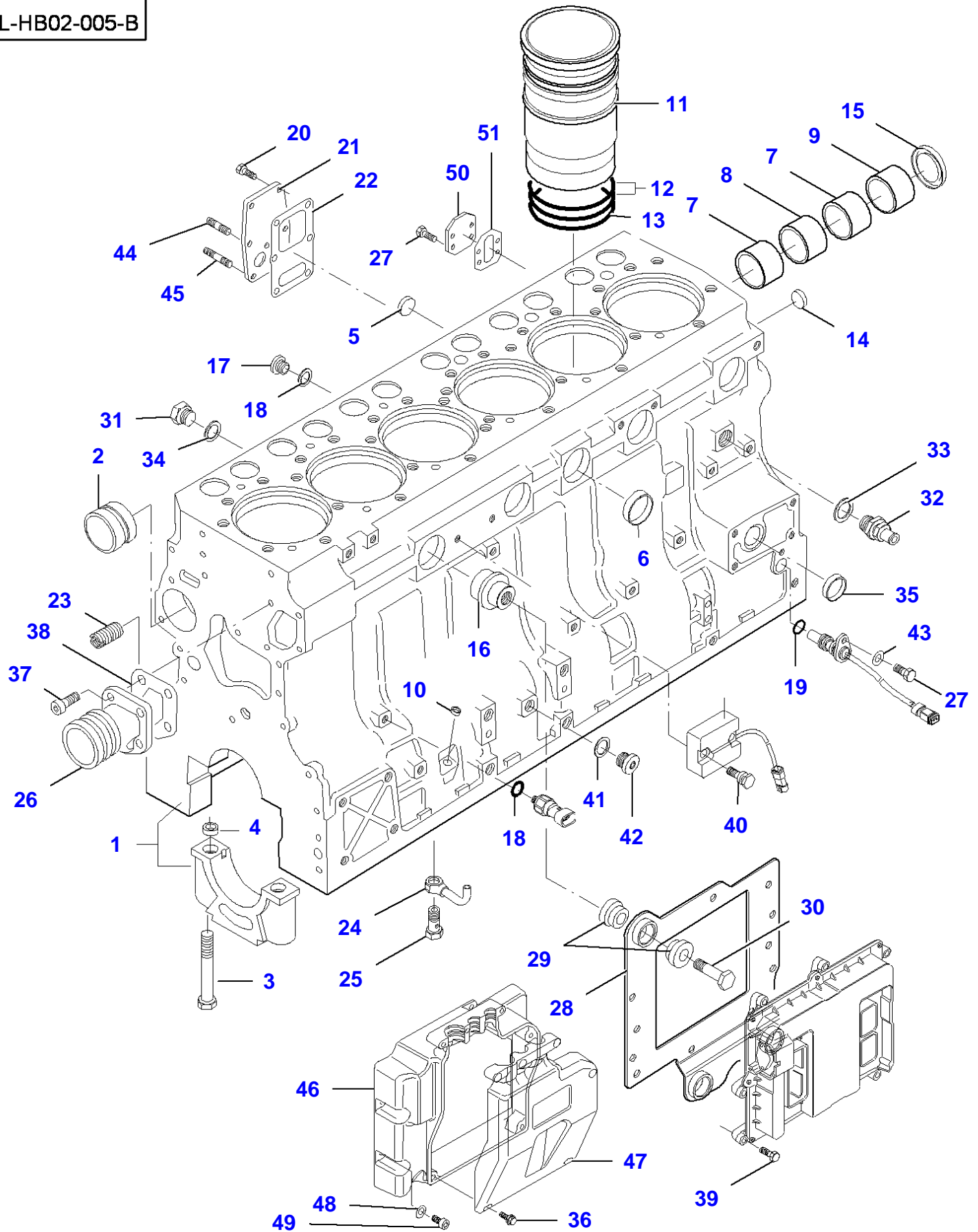
CYLINDER BLOCK

Item	Part Number	Qty	Description Comments	Technical Specification
			84CTA-4V FROM ENGINE S/N R19124 UP TO ENGINE S/N U1000	
1	V836867046	1	CYLINDER-BLOCK	
2	V836866069	1	CAMSHAFT BEARING BUSH	
	V836866036	X	CAMSHAFT BEARING BUSH	+ 0.40 MM
3	V529903180	14	HEX CAP SCREW	
4	V836214478	24	GUIDE SLEEVE	
5	V640016018	1	CUP PLUG	
6	V640016040	4	CUP PLUG	
7	V836852460	2	CAMSHAFT BEARING BUSH	
8	V836852459	1	CAMSHAFT BEARING BUSH	
9	V836852461	1	CAMSHAFT BEARING BUSH	
10	V640016012	1	CUP PLUG	
11	V836867048	6	LINER	
	V836867050	X	LINER	FLANGE HEIGHT + 0.05 MM
12	V836855446	12	CYLINDER LINER O-RING [A]	
13	V836855447	6	CYLINDER LINER O-RING [A]	
14	V640016016	4	CUP PLUG	
15	V836852744	1	PLUG	
16	V837069057	1	PLUG	
17	V640325110	5	SCREW PLUG	
18	V615871014	5	SEALING WASHER [A]	
19	V614601524	1	O-RING	
20	V528801380	5	HEX CAP SCREW	
21	V836855678	1	COVER	
22	V836322852	1	GASKET [A]	
23	V836859153	1	THREADED BUSH	
24	V837070021	6	PIPE	
25	V836338601	6	PRESSURE VALVE	
26	V836855629	1	FLANGE	
27	V528801362	5	HEX CAP SCREW	
28	V837070147	1	ECU BRACKET	
29	V837069052	6	RUBBER BUSH	
30	V837069056	3	HEX CAP SCREW	
31	V836119079	1	PLUG	
32	V836664377	1	DRAIN VALVE	
33	V615881624	1	SEAL [A]	
34	V615881620	1	SEALING WASHER [A]	
35		X	SPEED SENSOR SEE PAGE 01-0032	
36		X	CONTROL UNIT SEE PAGE 01-0032	
37	V581804600	4	HEX SOCKET SCREW	
38	V836855554	1	GASKET [A]	
39	V529801102	8	HEX CAP SCREW	
40	V837070197	2	SCREW	
41	V615881420	1	SEALING WASHER [A]	
42	V640325014	1	PLUG	
43	V500050840	1	FLAT WASHER	
44	V546801360	1	STUD BOLT	
45	V546801400	1	STUD BOLT	

Item	Part Number	Qty	Description Comments	Technical Specification
46	V837070285	1	COVER	
47	V837070286	1	COVER	
48	V500150642	5	WASHER	
49	V581804182	5	HEX SOCKET SCREW	
50	V590253388	6	SCREW	
51		X	SENSOR SEE PAGE 01-0032	
52		X	MODULE SEE PAGE 01-0032 [A] INCLUDED IN KIT V837062628	

6300C COMBINE (563010001-999 / 563410001-999 AL)
L-HB02-005-B

L-HB02-005-B

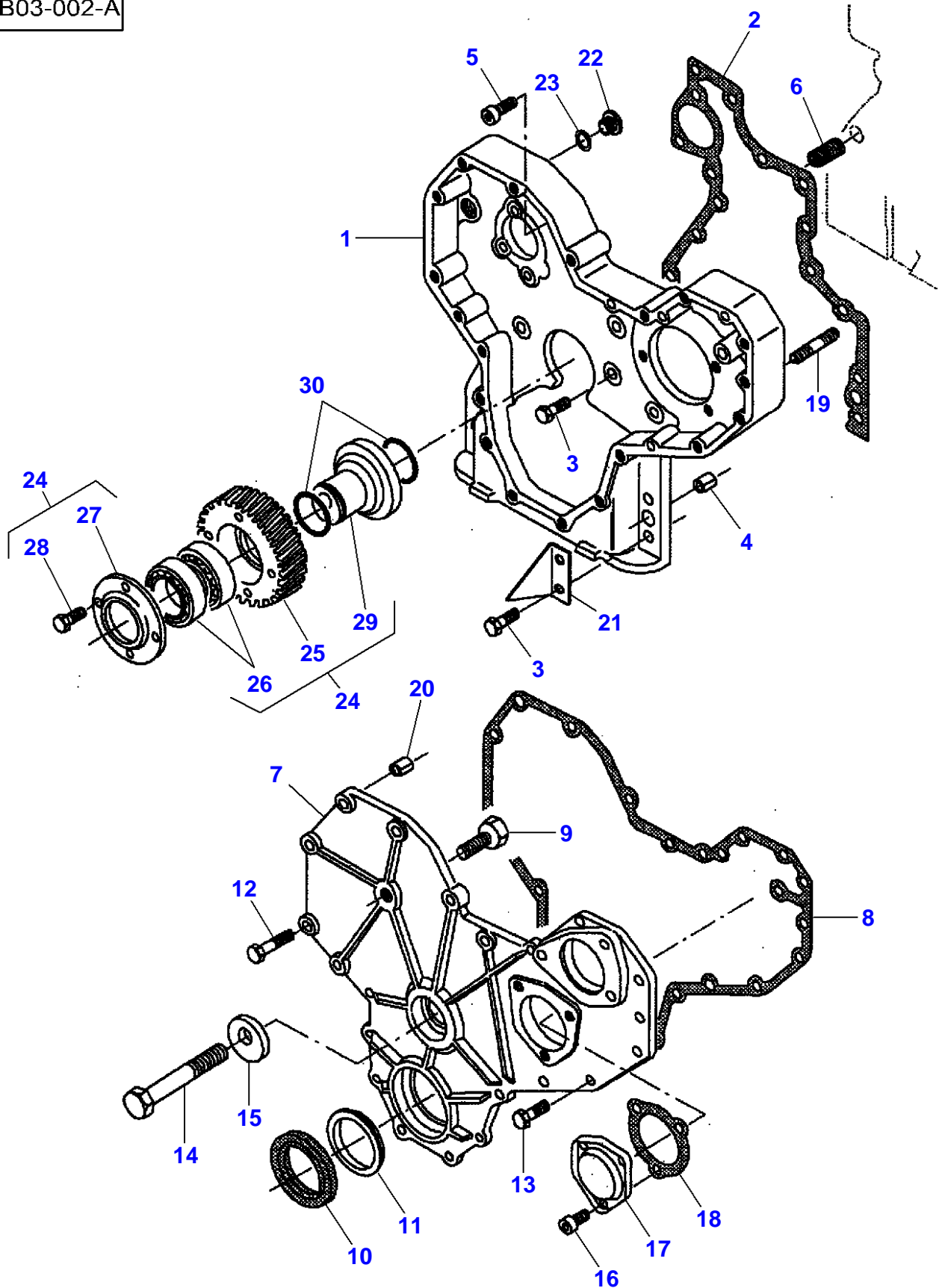


CYLINDER BLOCK

Item	Part Number	Qty	Description Comments
			84CTA-4V FROM ENGINE S/N U1001
1	V836873095	1	CYLINDER BLOCK
2	V836866069	1	CAMSHAFT BEARING BUSH (1)
3	V529903180	14	HEX CAP SCREW (1)
4	V836214478	24	GUIDE SLEEVE (1)
5	V640016018	1	CUP PLUG (1)
6	V640016040	5	CUP PLUG (1)
7	V836852460	2	CAMSHAFT BEARING BUSH (1)
8	V836852459	1	CAMSHAFT BEARING BUSH (1)
9	V836852461	1	CAMSHAFT BEARING BUSH (1)
10	V640016012	1	CUP PLUG
11	V836867048	6	LINER
12	V836855446	12	CYLINDER LINER O-RING [A]
13	V836855447	6	CYLINDER LINER O-RING [A]
14	V640016016	4	CUP PLUG
15	V836852744	1	PLUG
16	V837069057	1	PLUG
17	V640325110	5	SCREW PLUG
18	V615871014	5	SEALING WASHER [A]
19	V614601524	1	O-RING
20	V528801380	5	HEX CAP SCREW
21	V836855678	1	COVER
22	V836322852	1	GASKET [A]
23	V836859153	1	THREADED BUSH
24	V837070021	6	PIPE
25	V836338601	6	PRESSURE VALVE
26	V836855629	1	FLANGE
27	V528801362	5	HEX CAP SCREW
28	V837070147	1	ECU BRACKET
29	V837069052	6	RUBBER BUSH
30	V837069056	3	HEX CAP SCREW
31	V836119079	1	PLUG
32	V836664377	1	DRAIN VALVE
33	V615881824	1	SEALING WASHER [A]
34	V615881620	1	SEALING WASHER [A]
35	V640016035	1	CUP PLUG
36	V590253388	6	SCREW
37	V581804600	4	HEX SOCKET SCREW
38	V836855554	1	GASKET [A]
39	V529801102	8	HEX CAP SCREW
40	V837070197	2	SCREW
41	V615881420	1	SEALING WASHER [A]
42	V640325014	1	PLUG
43	V500050840	1	FLAT WASHER
44	V546801360	1	STUD BOLT
45	V546801400	1	STUD BOLT

Item	Part Number	Qty	Description Comments
46	V837070285	1	COVER
47	V837070286	1	COVER
48	V500150642	5	WASHER
49	V581804182	5	HEX SOCKET SCREW
50	V836866957	1	COVER
51	V836866958	1	GASKET
			[A]
			[A] INCLUDED IN KIT V837062628

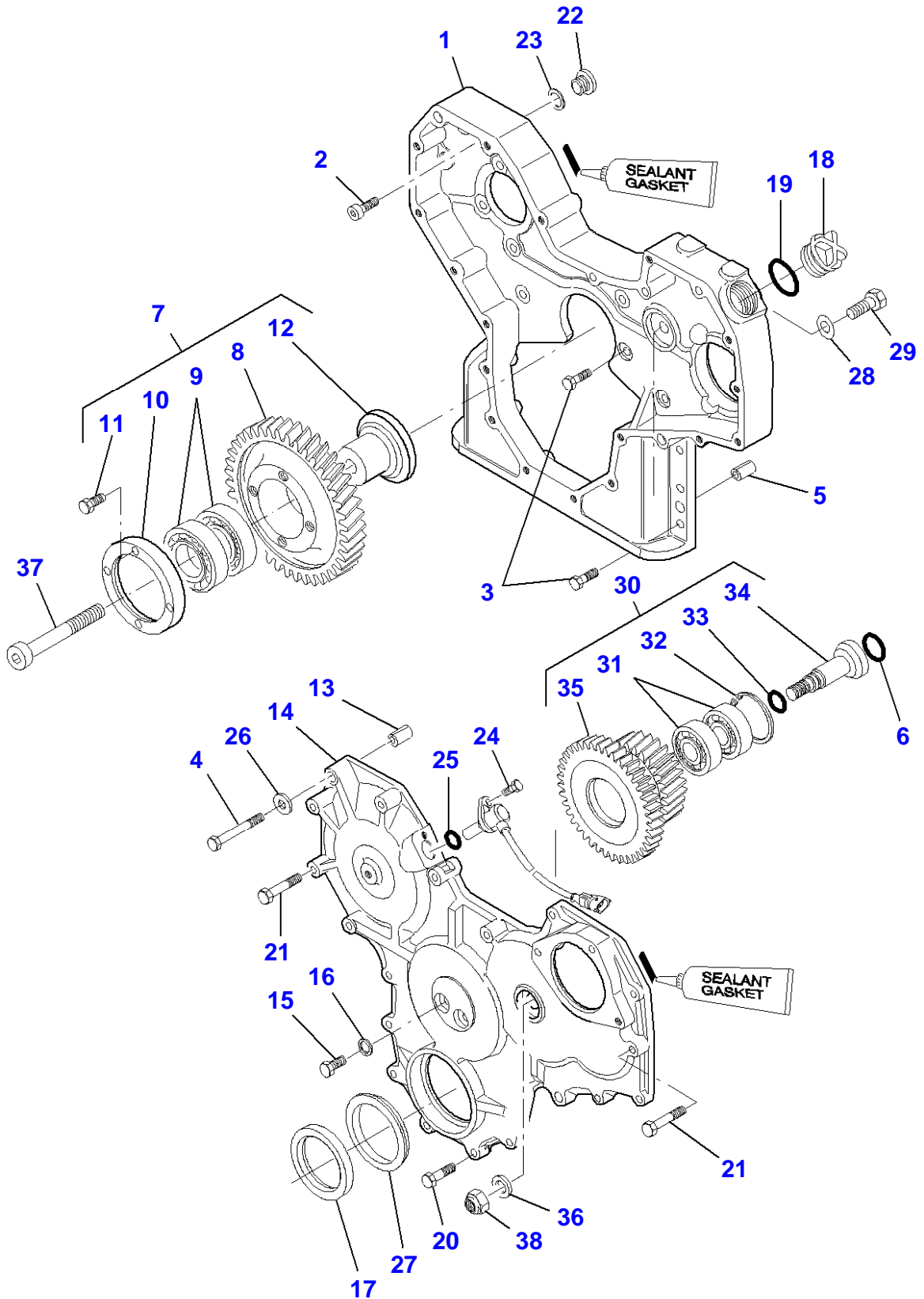
L-HB03-002-A



Item	Part Number	Qty	Description Comments
			84ETA-4V UP TO ENGINE S/N R19123
1	V836866420	1	TIMING GEAR CASE
2	V836647419	1	GASKET
3	V528801400	15	HEX CAP SCREW
4	V598359850	2	PIN
5	V581804620	1	HEX SOCKET SCREW
6	V836859153	1	THREADED BUSH
7	V836859151	1	GEAR HOUSING FRONT COVER
8	V836859152	1	GASKET
9	V836859160	1	RESTRICTOR
10	V836840883	1	CRANKSHAFT SEAL
11	V836855636	1	SHIELD
12	V529801430	4	HEX CAP SCREW
13	V528801410	13	HEX CAP SCREW
14	V529902730	1	HEX CAP SCREW
15	V836859161	1	FLANGE
16	V581804570	3	HEX SOCKET SCREW
17	V836136717	1	COVER
18	V836129946	1	GASKET
19	V546801840	4	STUD BOLT
20	V598359860	2	PIN
21	V836859588	1	TIMING MARK INDICATOR
22	V640325018	1	PLUG
23	V615881822	1	SEALING WASHER
24	V836859165	1	IDLER GEAR
25	V836859163	1	IDLER GEAR
26	V610071079	2	BALL BEARING
27	V836859164	1	RETAINER
28	V528801380	4	HEX CAP SCREW
29	V836859162	1	SHAFT
30	V614603024	2	O-RING

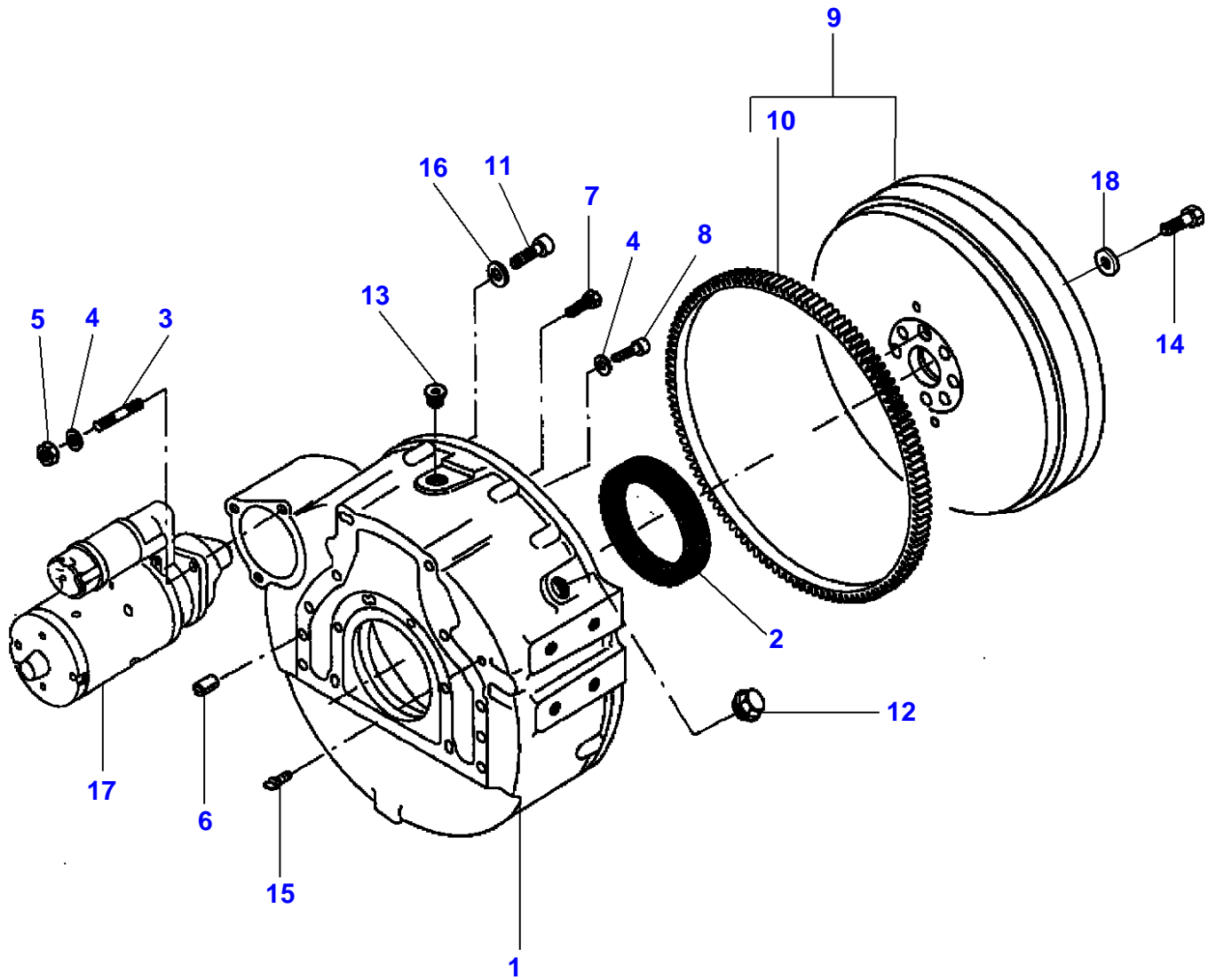
6300C COMBINE (563010001-999 / 563410001-999 AL)
L-HB03-003-B

L-HB03-003-B



Item	Part Number	Qty	Description Comments	Technical Specification
			84CTA-4V FROM ENGINE S/N R19124	
1	V837070064	1	TIMING GEAR CASE	
2	V581804620	2	HEX SOCKET SCREW	
3	V528801400	14	HEX CAP SCREW	
4	V529801470	2	HEX CAP SCREW	
5	V598359850	2	PIN	
6	V614601924	1	O-RING [A]	
7	V837070001	1	KIT, GEAR	
8	V837070000	1	IDLER GEAR	
9	V610072109	1	BALL BEARING	
10	V836855565	1	RING	
11	V528901400	4	HEX CAP SCREW	
12	V836855562	1	SHAFT	
13	V598359860	2	PIN	
14	V837070168	1	GEAR HOUSING FRONT COVER	
15	V528801380	2	HEX CAP SCREW	
16	V615870814	2	SEALING WASHER [A]	
17	V836840883	1	CRANKSHAFT SEAL [A]	
	V836873100	X	SPACER RING [A]	+ 3.00 MM
18	V836017927	1	CAP	
19	V614603540	1	O-RING [A]	
20	V528801410	11	HEX CAP SCREW	
21	V529801440	7	HEX CAP SCREW	
22	V640325018	1	PLUG	
23	V615881822	1	SEALING WASHER	
24	V528801062	1	HEX CAP SCREW	
25	V614601718	1	O-RING	
26	V836120989	2	WASHER [A]	
27	V836855636	1	SHIELD	
28	V500951200	1	SPRING WASHER	
29	V581705420	1	HEX SOCKET SCREW	
30	V837070072	1	DUAL GEAR WHEEL	
31	V610073040	2	BALL BEARING	
32	V617330052	1	LOCK RING	
33	V614601324	1	O-RING [A]	
34	V837069069	1	SHAFT	
35	V837070113	1	DUAL GEAR WHEEL	
36	V837069070	1	WASHER	
37	V581705910	1	HEX SOCKET SCREW	
38	V504601400	1	NUT	
			[A] INCLUDED IN KIT V837062628	

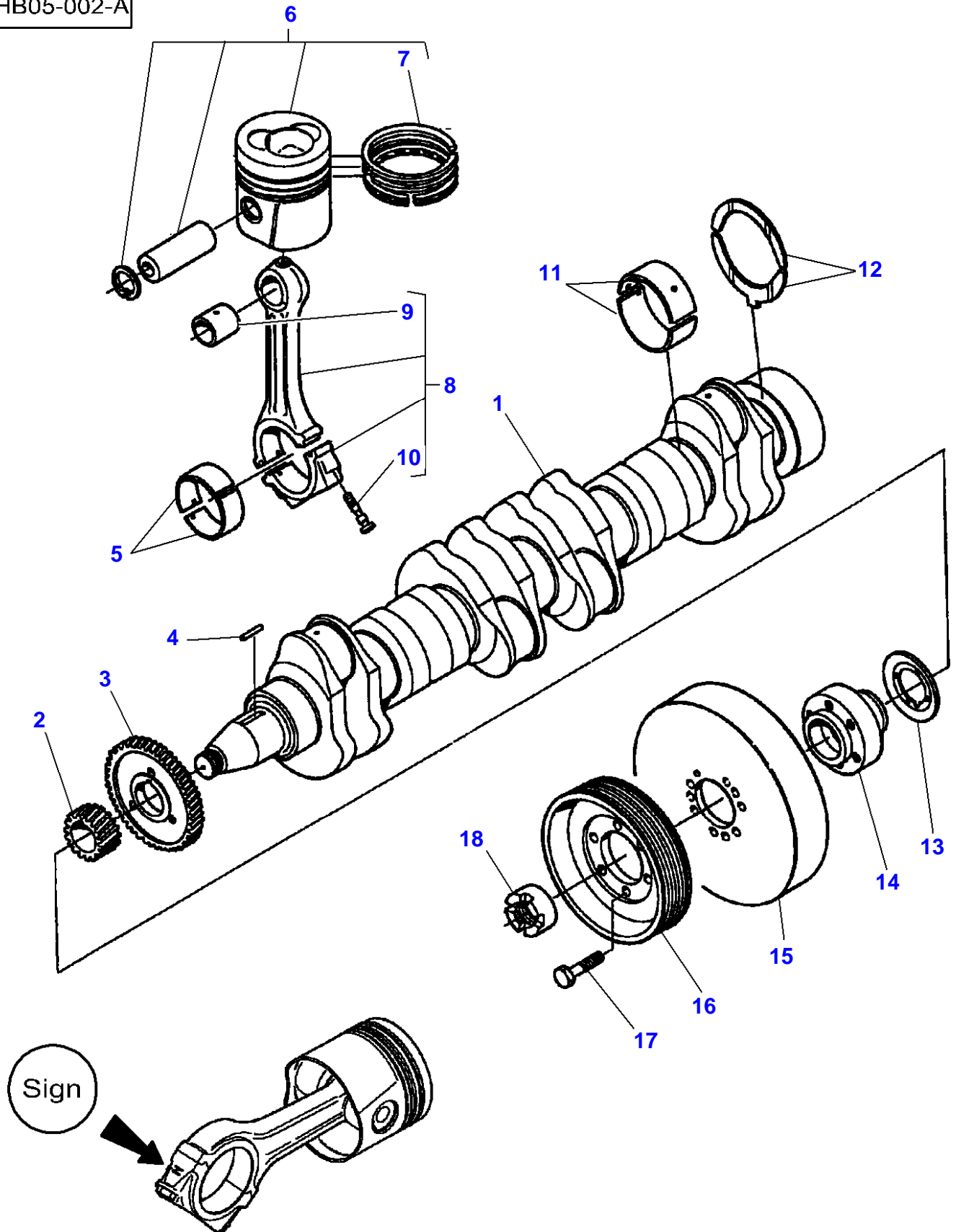
L-HB04-002-B



Item	Part Number	Qty	Description Comments	Technical Specification
1	V836647440	1	FLYWHEEL HOUSING	
2	V836840884	1	CRANKSHAFT SEAL [A]	
	V836020054	X	SPACER RING	+ 2.00 MM
3	V546801800	3	STUD BOLT	
4	V500951000	6	SPRING WASHER	
5	V504801000	3	NUT	
6	V598359850	2	PIN	
7	V528902220	6	HEX CAP SCREW	
8	V581705030	6	HEX SOCKET SCREW	
9	V836864270	1	FLYWHEEL	
10	V836117970	1	STARTER RING (9)	
11	V581705440	2	HEX SOCKET SCREW	
12	V640045126	1	PLUG	
13	V640325018	1	PLUG	
14	V529702630	8	HEX CAP SCREW	
15	V836859311	1	PLUG	
16	V500951200	1	SPRING WASHER	
17	V836662073	1	STARTERMOTOR SEE PAGE 01-0035 UP TO ENGINE S/N R19123	
	V836866817	1	STARTERMOTOR SEE PAGE 01-0036 FROM ENGINE S/N R19124	
18	V500951400	8	SPRING WASHER [A] INCLUDED IN KIT V837062628	

6300C COMBINE (563010001-999 / 563410001-999 AL)
L-HB05-002-A

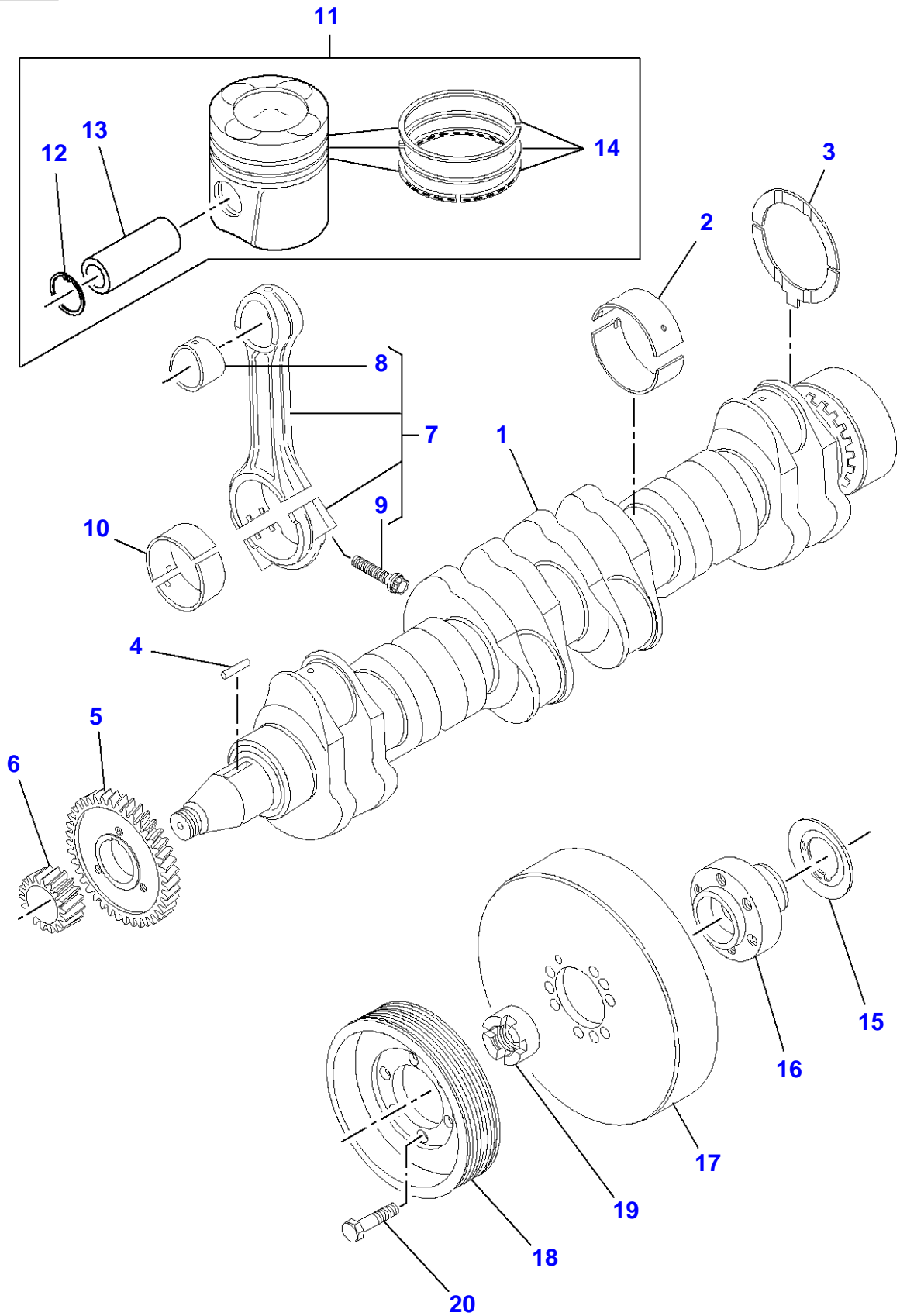
L-HB05-002-A



Item	Part Number	Qty	Description Comments	Technical Specification
			84ETA-4V UP TO ENGINE S/N R19123	
1	V836866477	1	CRANKSHAFT	
2	V836855559	1	GEAR,CRANKSHAFT	
3	V836855558	1	GEAR,CRANKSHAFT	
4	V836855525	1	KEY	
5	V836336302	6	BEARING SHELL	
	V836338650	X	BEARING SHELL 72,731 MM 72,750 MM	+0.25
	V836338651	X	BEARING SHELL 72,481 MM 72,500 MM	
	V836338652	X	BEARING SHELL 71,981 MM 72,000 MM	
	V836338653	X	BEARING SHELL 71,481 MM 71,500 MM	
6	V836866182	6	PISTON	
7	V836840887	1	PISTON RING KIT	
8	V836340948	X	CONNECTING ROD KIT	
	V836864101	X	CONROD 2230-2249g E	
	V836864102	X	CONROD 2250-2269g F	
	V836864103	X	CONROD 2270-2289g G	
	V836340948	X	CONNECTING ROD KIT 2290-2309g H	
	V836864105	X	CONROD 2310-2329g I	
	V836864106	X	CONROD 2330-2349g J	
	V836864107	X	CONROD 2350-2369g K	
9	V836864288	1	BEARING BUSH	
	V836338606	X	BEARING BUSH	+ 0.50 MM
10	V836864141	2	CONNECTING ROD BOLT	
11	V836840944	7	MAIN BEARING	STD
	V836840978	X	MAIN BEARING 89,735 MM 89,770 MM	+ 0.25 MM
	V836840979	X	MAIN BEARING 89,485 MM 89,520 MM	+ 0.50 MM
	V836840980	X	MAIN BEARING 88,985 MM 89,020 MM	
	V836840981	X	MAIN BEARING 88,485 MM 88,520 MM	
12	V836840945	2	THRUST WASHER	
	V836840982	X	THRUST WASHER	+ 0.10 MM
	V836840983	X	THRUST WASHER	+ 0.20 MM
13	V836855637	1	RING	
14	V836855641	1	CRANKSHAFT HUB	
15	V836840882	1	CRANKSHAFT VIBRATION DAMPENER	
16	V836867472	1	PULLEY	
17	V528902230	6	HEX CAP SCREW	
18	V836322221	1	CRANKSHAFT NUT	

6300C COMBINE (563010001-999 / 563410001-999 AL)
L-HB05-003-A

L-HB05-003-A



CRANKSHAFT AND PISTONS

Item	Part Number	Qty	Description Comments	Technical Specification
			84CTA-4V FROM ENGINE S/N R19124	
1	V837069088	1	CRANKSHAFT	
2	V836840944	7	MAIN BEARING	STD
	V836840978	X	MAIN BEARING	+ 0.25 MM
			89,735 MM 89,770 MM	
	V836840979	X	MAIN BEARING	+ 0.50 MM
			89,485 MM 89,520 MM	
	V836840980	X	MAIN BEARING	
			88,985 MM 89,020 MM	
	V836840981	X	MAIN BEARING	
			88,485 MM 88,520 MM	
3	V836840945	2	THRUST WASHER	
	V836840982	X	THRUST WASHER	+ 0.10 MM
	V836840983	X	THRUST WASHER	+ 0.20 MM
4	V836855525	1	KEY	
5	V836855558	1	GEAR,CRANKSHAFT	
6	V837069060	1	GEAR	
7	V836340948	6	CONNECTING ROD KIT	
	V836864101	X	CONROD	
			2230-2249g E	
	V836864102	X	CONROD	
			2250-2269g F	
	V836864103	X	CONROD	
			2270-2289g G	
	V836864104	X	CONROD	
			2290-2309g H	
	V836864105	X	CONROD	
			2310-2329g I	
	V836864106	X	CONROD	
			2330-2349g J	
	V836864107	X	CONROD	
			2350-2369g K	
8	V836864288	6	BEARING BUSH	
	V836338606	X	BEARING BUSH	+ 0.50 MM
9	V836864141	12	CONNECTING ROD BOLT	
10	V837062996	6	CONROD BEARING	STD
			FROM ENGINE S/N U1001	
	V836338650	X	BEARING SHELL	+0.25
			72,731 MM 72,750 MM	
	V836338651	X	BEARING SHELL	
			72,481 MM 72,500 MM	
	V836338652	X	BEARING SHELL	
			71,981 MM 72,000 MM	
	V836338653	X	BEARING SHELL	
			71,481 MM 71,500 MM	
11	V837070185	6	PISTON	
			STANDARD	
	V837073230	6	PISTON	
			FROM ENGINE S/N U1001	
12	NS	12	NON-SERVICEABLE PART	
13	NS	6	NON-SERVICEABLE PART	
14	V836840887	6	PISTON RING KIT	
15	V836855637	1	RING	
16	V836855641	1	CRANKSHAFT HUB	
17	V836840882	1	CRANKSHAFT VIBRATION DAMPENER	

Fendt

6300C COMBINE (563010001-999 / 563410001-999 AL)

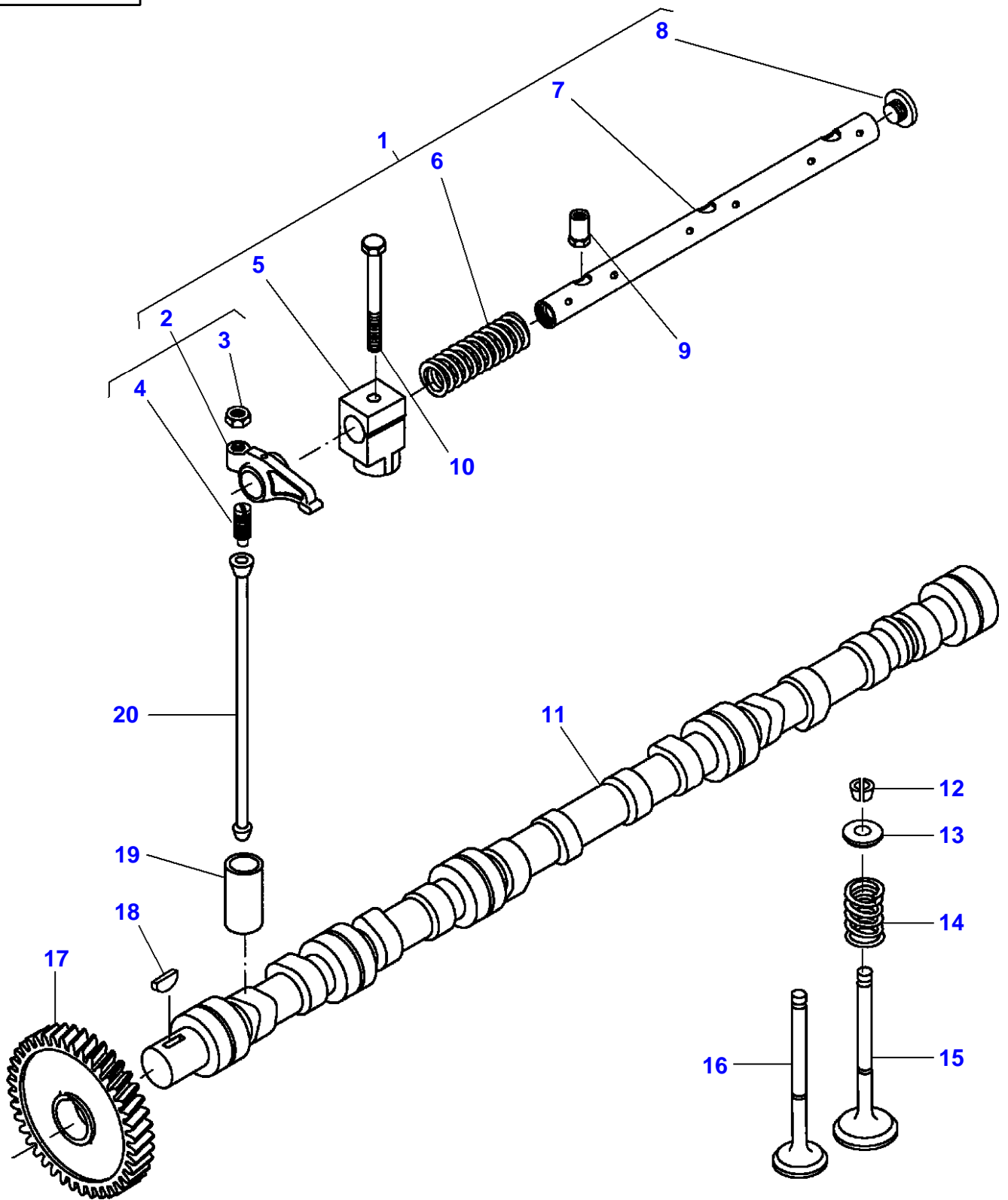
3906039

CRANKSHAFT AND PISTONS

Page01-0011

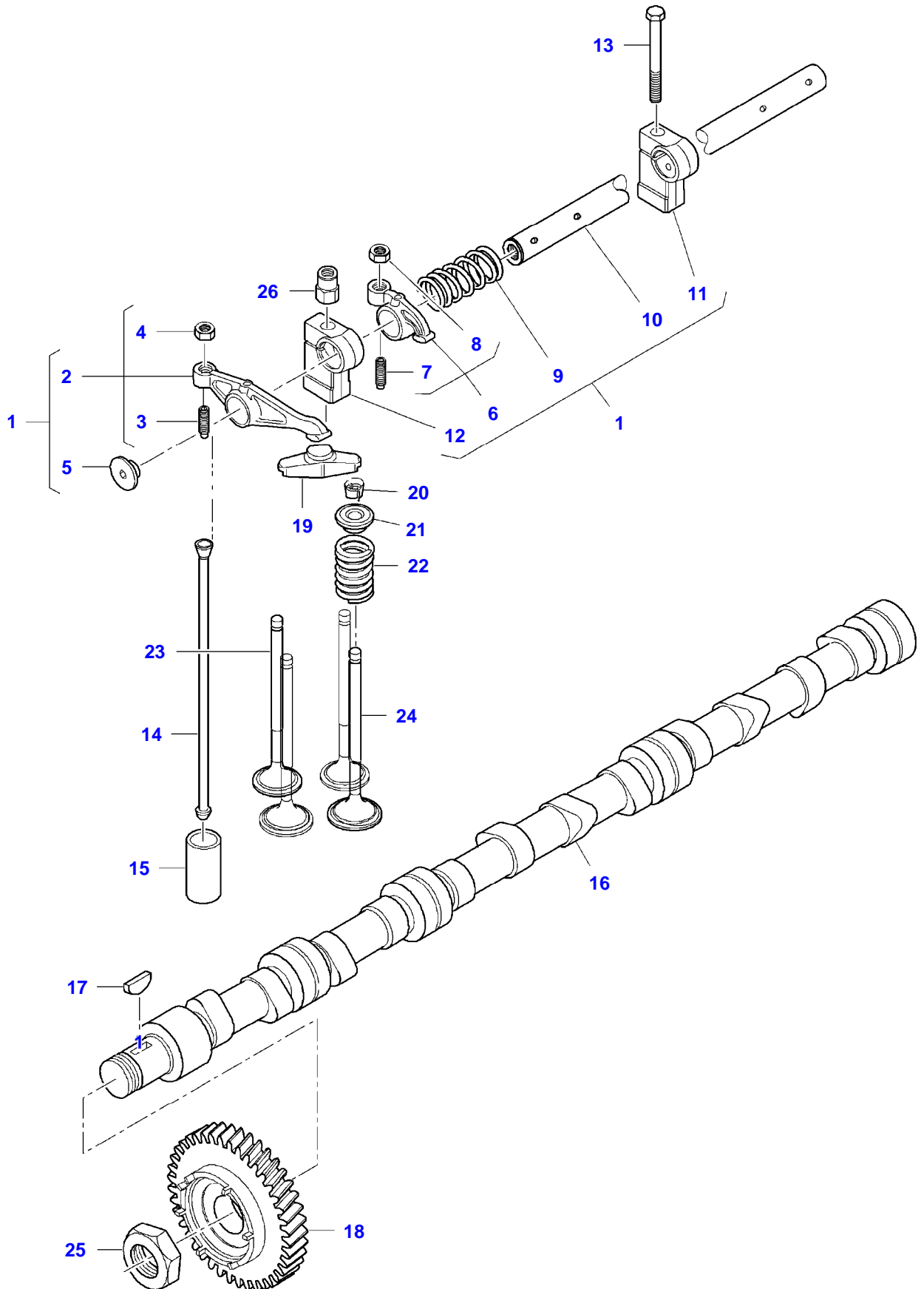
Item	Part Number	Qty	Description Comments	Technical Specification
18	V836867472	1	PULLEY	
19	V836322221	1	CRANKSHAFT NUT	
20	V528902230	6	HEX CAP SCREW	

L-HB06-001-A



Item	Part Number	Qty	Description Comments
			84ETA-4V UP TO ENGINE S/N R19123
1	V836667043	2	ROCKER SHAFT ASM
2	V836666608	12	ROCKER ARM
3	V512861000	12	NUT
4	V836655866	12	ADJUSTING SCREW
5	V836666609	6	BRACKET
6	V836655884	4	SPRING
7	V836655870	2	SHAFT
8	V836655899	4	PLUG
9	V836655406	4	SLEEVE NUT
10	V529801910	2	HEX CAP SCREW
11	V836862528	1	CAMSHAFT
12	V836646382	24	COTTER
13	V836646381	12	WASHER
	V836652269	X	VALVE SEAT +0,2MM [A]
	V836855347	X	VALVE SEAT +0,2MM [B]
14	V837073405	12	VALVE SPRING
15	V836646356	6	INTAKE VALVE
16	V836646357	6	EXHAUST VALVE
17	V836855568	1	GEAR,CAMSHAFT
18	V603305760	1	WOODRUFF KEY
19	V836014264	12	TAPPET
20	V836355872	12	PUSH ROD
			[A] FOR VALVE INLET [B] FOR VALVE EXHAUST

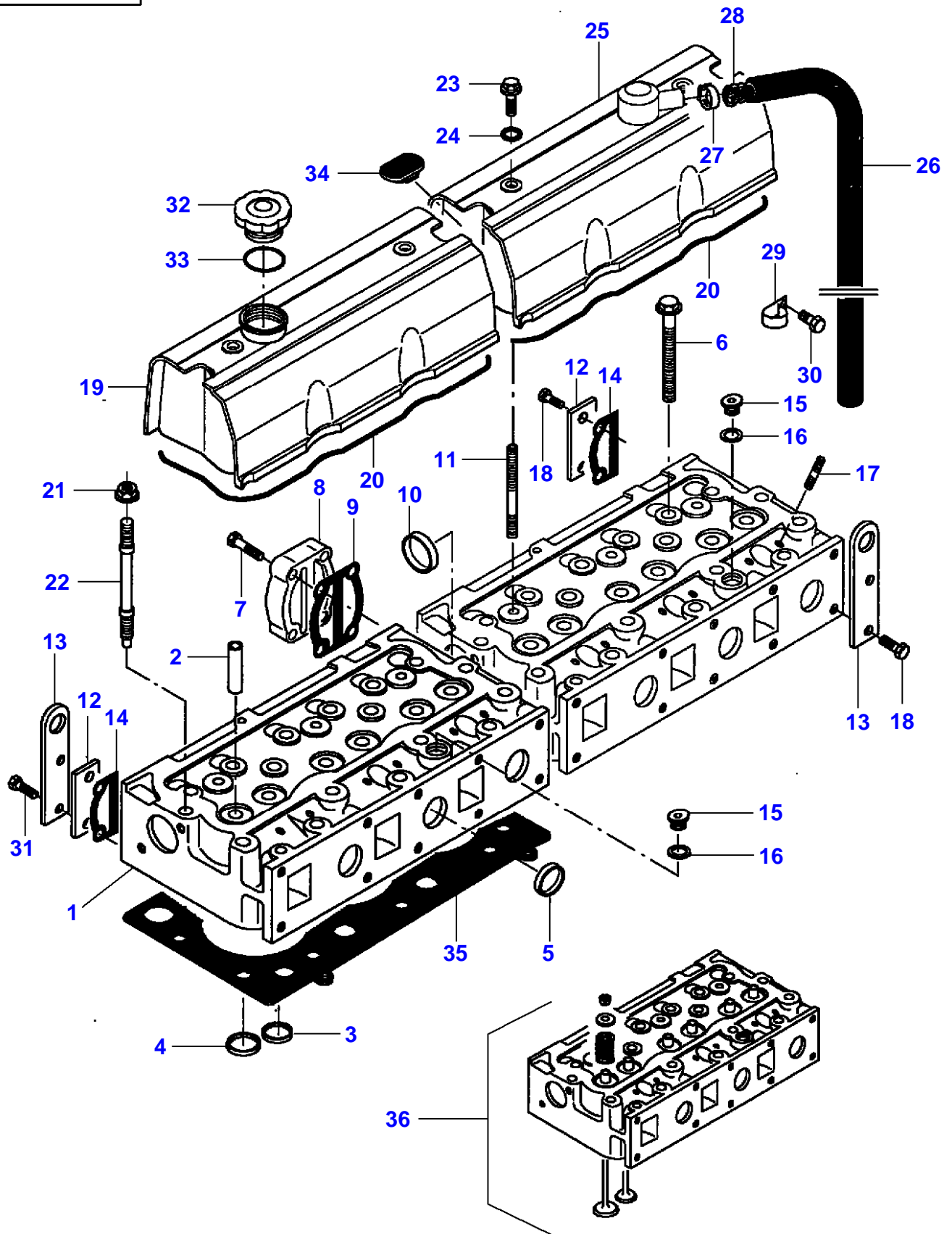
6300C COMBINE (563010001-999 / 563410001-999 AL)
8017307-F5-1



Item	Part Number	Qty	Description Comments
			84CTA-4V FROM ENGINE S/N R19124
1	V837069016	1	ROCKER SHAFT ASM
2	V837069011	1	ROCKER ARM VALVE INLET
3	V837069023	6	VALVE ROCKER ADJUSTMENT SCREW
4	V512861000	6	NUT
5	V837069020	4	PLUG
6	V837069013	6	ROCKER ARM VALVE EXHAUST
7	V837069023	6	VALVE ROCKER ADJUSTMENT SCREW
8	V512861000	6	NUT
9	V837069019	4	SPRING
10	V837069015	2	SHAFT
11	V837069018	2	ROCKER SHAFT BRACKET
12	V837069017	4	ROCKER SHAFT BRACKET
13	V529801920	2	HEX CAP SCREW
14	V837069014	12	PUSH ROD
15	V836014264	12	TAPPET
16	V837070148	1	CAMSHAFT
17	V603305760	1	WOODRUFF KEY
18	V837070036	1	GEAR,CAMSHAFT
19	V837073089	12	VALVE BRIDGE
20	V837064910	48	COTTER
21	V837069004	24	SPRING PLATE
22	V837069005	24	VALVE SPRING
23	V837069002	12	EXHAUST VALVE
24	V837069003	12	INTAKE VALVE
25	V837069085	1	NUT
26	V836655406	4	SLEEVE NUT

6300C COMBINE (563010001-999 / 563410001-999 AL)
L-HB08-001-A

L-HB08-001-A

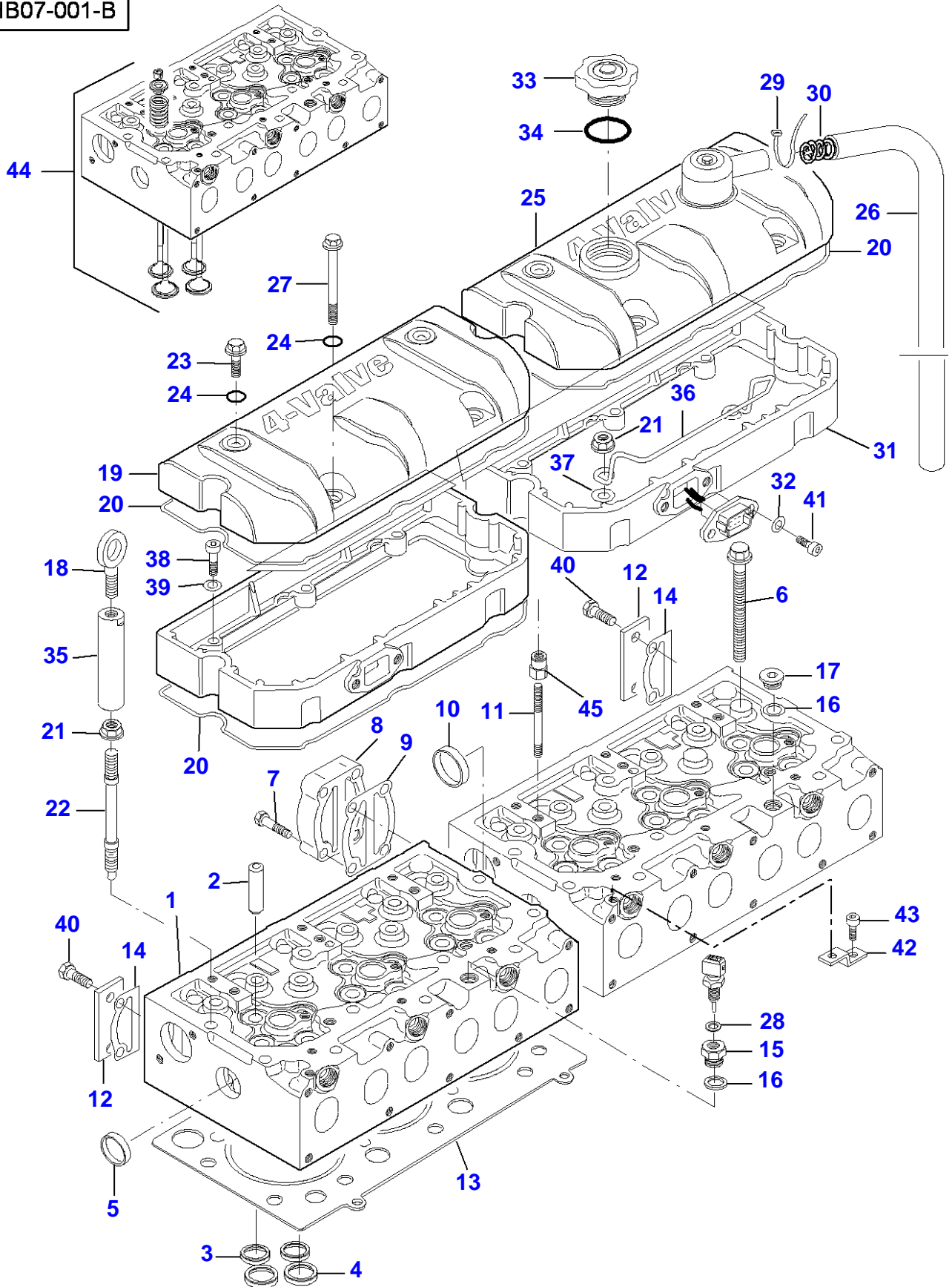


CYLINDER HEAD

Item	Part Number	Qty	Description Comments
			84ETA-4V UP TO ENGINE S/N R19123
1	V836855381	2	CYLINDER HEAD COMPLETE ASSEMBLY
2	V836673175	12	VALVE GUIDE [B]
3	V836647600	6	VALVE SEAT [B]
4	V836647936	6	VALVE SEAT [B]
5	V836647942	10	CUP PLUG [B]
6	V836859104	32	HEXAGON FLANGE BOLT
7	V528801830	4	HEX CAP SCREW
8	V836855348	1	CONNECTION FLANGE
9	V836867390	1	GASKET [A]
10	V640016045	1	CUP PLUG
11	V546801900	4	STUD BOLT
12	V836855350	2	BLOCK OFF PLATE
13	V836859722	2	LIFT EYE
14	V836867753	2	GASKET [A]
15	V640325018	2	PLUG
16	V615881822	2	SEALING WASHER [A]
17	V546901435	12	STUD BOLT
18	V528801800	4	HEX CAP SCREW
19	V836667128	1	VALVE ROCKER COVER
20	V836667243	2	VALVE ROCKER COVER GASKET [A]
21	V836859110	2	NUT
22	V836859109	2	STUD BOLT
23	V540801780	4	HEXAGON FLANGE BOLT
24	V614901030	4	O-RING [A]
25	V836667206	1	VALVE COVER
26	V836755007	1	RUBBER HOSE
27	V602088532	1	HOSE CLIP
28	V836659103	1	SPRING
29	V836659539	1	CLAMP
30	V528801760	1	HEX CAP SCREW
31	V528801820	2	HEX CAP SCREW
32	V836338733	1	OIL FILLER CAP
33	V614604740	1	O-RING
34	V836867578	1	RUBBER PLUG
35	V837070290	2	CYLINDER HEAD GASKET [A]
36	V836640897	2	KIT, CYL. HEAD [A] INCLUDED IN V836840102 [B] INCLUDED IN ITEM 1

6300C COMBINE (563010001-999 / 563410001-999 AL)
L-HB07-001-B

L-HB07-001-B



CYLINDER HEAD

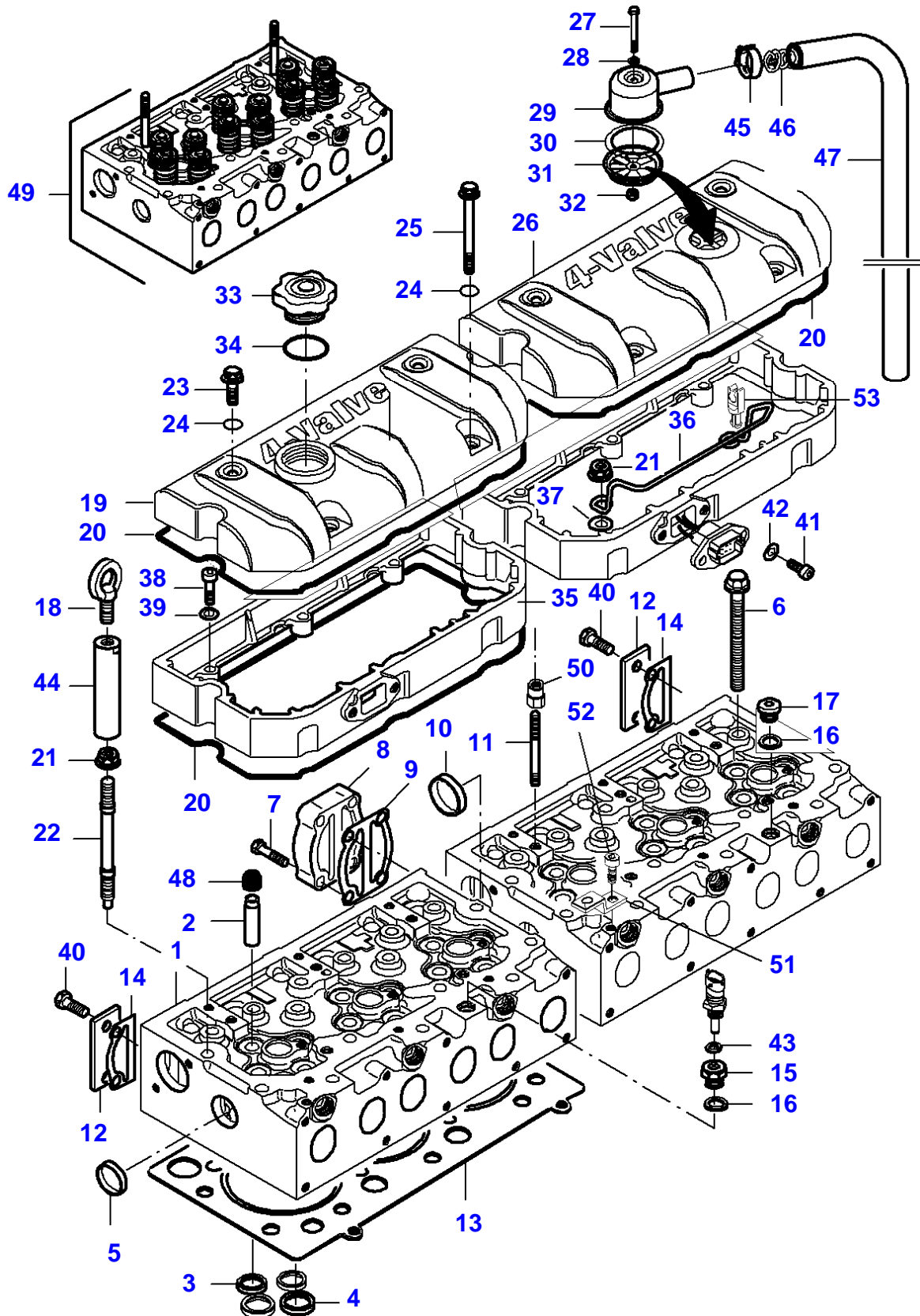
Item	Part Number	Qty	Description Comments	Technical Specification
			84CTA-4V FROM ENGINE S/N R19124 UP TO ENGINE S/N T6693	
1	V837069001	2	CYLINDER HEAD	
2	V837064906	24	VALVE GUIDE (1)	
3	V837064907	12	VALVE SEAT (1) EXHAUST	4V EXHAUST STD
4	V837064908	12	VALVE SEAT (1) INLET	4V INTAKE STD
5	V836647942	4	CUP PLUG (1)	
6	V837069025	27	CYLINDER HEAD BOLT	
7	V528801830	4	HEX CAP SCREW	
8	V836855348	1	CONNECTION FLANGE	
9	V836867752	1	GASKET [A]	
10	V640016045	1	CUP PLUG	
11	V546801900	4	STUD BOLT	
12	V836855350	2	BLOCK OFF PLATE	
13	V837070290	2	CYLINDER HEAD GASKET [A]	
14	V836867753	2	GASKET [A]	
15	V836119643	1	THREADED NIPPLE	
16	V615881822	2	SEALING WASHER [A]	
17	V640325018	1	PLUG	
18	V836640752	2	LIFT EYE	
19	V837070170	1	COVERING	
20	V837069024	4	GASKET [A]	
21	V836859110	9	NUT	
22	V836859109	7	STUD BOLT	
23	V540801780	4	HEXAGON FLANGE BOLT	
24	V614901030	8	O-RING [A]	
25	V837069029	1	COVERING	
26	V837070346	1	BREATHER HOSE	
27	V540801910	4	HEXAGON FLANGE BOLT	
28	V615881418	1	SEALING WASHER [A]	
29	V602078532	1	HOSE CLIP	
30	V837070343	1	SPRING	
31	V837069021	2	VALVE ROCKER COVER FRAME	
32	V500150842	4	WASHER	
33	V836338733	1	OIL FILLER CAP	
34	V614604740	1	O-RING [A]	
35	V836867567	2	LIFTING EYE EXTENSION	
36	V837069026	1	BRACKET	
37	V500951200	4	SPRING WASHER	
38	V581804630	6	HEX SOCKET SCREW	
39	V500950800	6	SPRING WASHER	
40	V528801800	4	HEX CAP SCREW	
41	V581804602	4	HEX SOCKET SCREW	
42	V836747849	1	SUPPORT	
43	V581804582	1	HEX SOCKET SCREW	
44	V837062565	2	CYLINDER HEAD UP TO ENGINE S/N S20238	

CYLINDER HEAD

Item	Part Number	Qty	Description Comments	Technical Specification
	V837070400	1	CYLINDER HEAD FROM ENGINE S/N S20239 FRONT	
	V837070401	1	CYLINDER HEAD FROM ENGINE S/N S20239 REAR	
45		X	NUT SEE PAGE 01-0013 [A] INCLUDED IN KIT V837062627	

6300C COMBINE (563010001-999 / 563410001-999 AL)
L-HB07-004-D

L-HB07-004-D



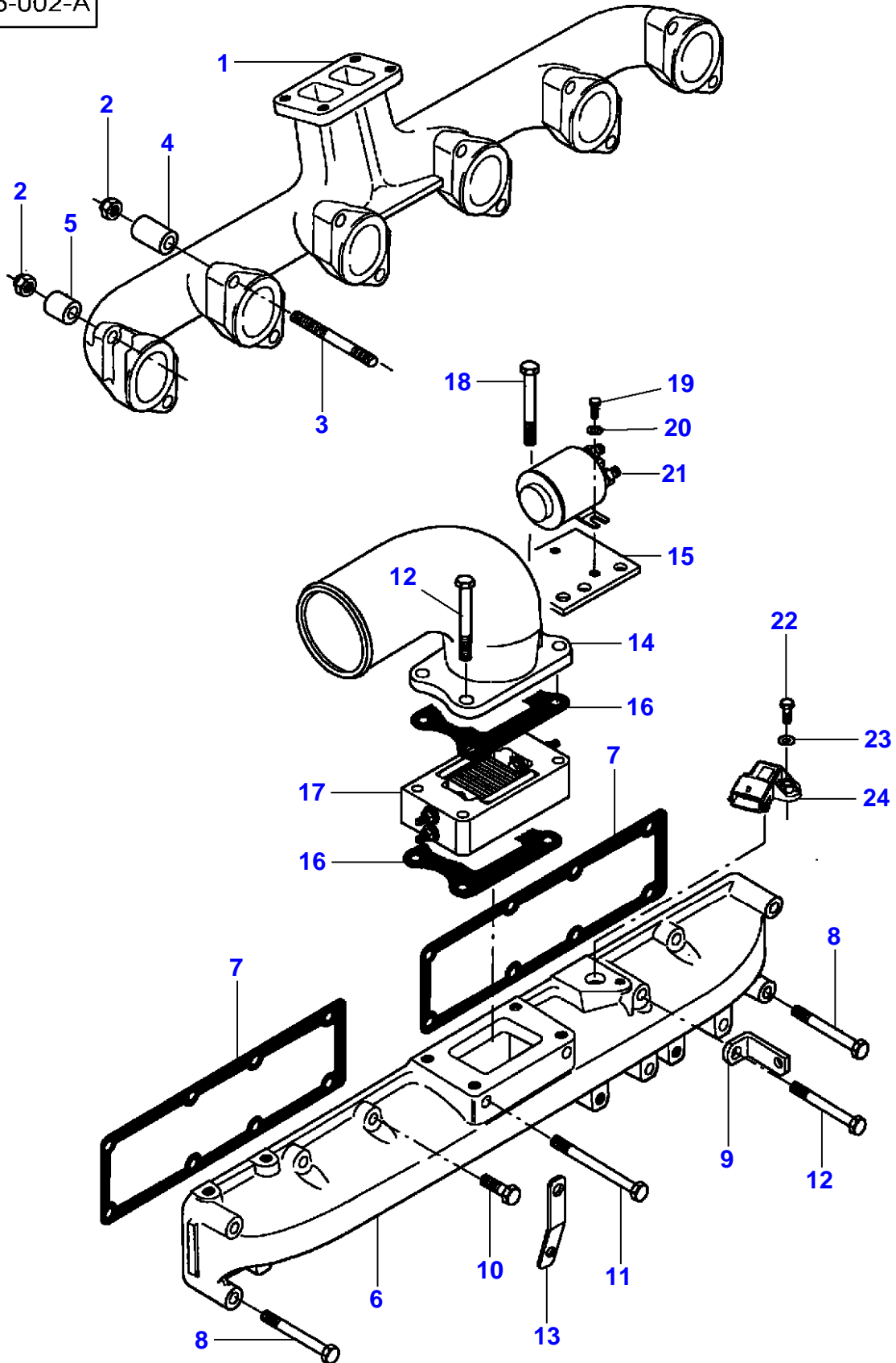
CYLINDER HEAD

Item	Part Number	Qty	Description Comments	Technical Specification
			84CTA-4V FROM ENGINE S/N T6694	
1	NS	2	NON-SERVICEABLE PART CYLINDER HEAD ORDER ITEM 49	
2	V837073174	24	VALVE GUIDE (1)	
3	V837064907	12	VALVE SEAT (1) EXHAUST	4V EXHAUST STD
4	V837064908	12	VALVE SEAT (1) INLET	4V INTAKE STD
5	V836647942	4	CUP PLUG (1)	
6	V837069025	28	CYLINDER HEAD BOLT	
7	V528801830	4	HEX CAP SCREW	
8	V836855348	1	CONNECTION FLANGE	
9	V836867752	1	GASKET [A]	
10	V640016045	1	CUP PLUG	
11	V546801900	4	STUD BOLT	
12	V836855350	2	BLOCK OFF PLATE	
13	V837070290	2	CYLINDER HEAD GASKET [A]	
14	V836867753	2	GASKET [A]	
15	V836119643	1	THREADED NIPPLE	
16	V615881822	2	SEALING WASHER [A]	
17	V640325018	1	PLUG	
18	V836640752	2	LIFT EYE	
19	V837070447	1	VALVE ROCKER COVER	
20	V837067881	4	VALVE ROCKER COVER GASKET [A]	
21	V836859110	10	NUT UP TO ENGINE S/N U1000	
	V836859110	2	NUT FROM ENGINE S/N U1001	
22	V836859109	6	STUD BOLT UP TO ENGINE S/N U1000	
	V836859109	2	STUD BOLT FROM ENGINE S/N U1001	
23	V540801780	4	HEXAGON FLANGE BOLT	
24	V614901030	8	O-RING [A]	
25	V540801910	4	HEXAGON FLANGE BOLT	
26	V837070452	1	VALVE ROCKER COVER	
27	V528801192	1	HEX CAP SCREW (26)	
28	V836667508	1	SEALING WASHER (26)	
29	V837070442	1	BREATHER CAP (26)	
30	V836667459	1	GASKET (26)	
31	V837070443	1	BREATHER (26)	
32	V510600602	1	NUT (26)	
33	V836338733	1	OIL FILLER CAP	
	V836659968	1	OIL FILLER CAP	
34	V614704850	1	O-RING [A]	

CYLINDER HEAD

Item	Part Number	Qty	Description Comments	Technical Specification
35	V837069021	2	VALVE ROCKER COVER FRAME	
36	V837069026	2	BRACKET	
37	V500951200	8	SPRING WASHER	
38	V581804630	6	HEX SOCKET SCREW	
39	V500950800	6	SPRING WASHER	
40	V528801800	4	HEX CAP SCREW	
41	V581804602	4	HEX SOCKET SCREW	
42	V500150842	4	WASHER	
43	V615881418	1	SEALING WASHER [A]	
44	V836867567	2	LIFTING EYE EXTENSION	
45	V602078532	1	HOSE CLIP SEE PAGE 01-0013	
46	V837070343	1	SPRING	
47	V837070346	1	BREATHER HOSE	
48	V837073165	24	VALVE STEM GASKET [A]	
49	V837073233	1	CYLINDER HEAD [B]	
	V837073234	1	CYLINDER HEAD [C]	
50		4	NUT SEE PAGE 01-0013	
51	V836747849	1	SUPPORT [A]	
52	V581804582	1	HEX SOCKET SCREW	
53	V837073227	1	BAND FROM ENGINE S/N U1001 [A] INCLUDED IN KIT V837062627 [B] FRONT [C] REAR	

L-0305-002-A



INTAKE & EXHAUST MANIFOLD

Item	Part Number	Qty	Description Comments
			84ETA-4V UP TO ENGINE S/N R19123
1	V836867065	1	EXHAUST MANIFOLD
2	V513601002	12	NUT
3	V836859188	9	STUD BOLT
4	V836664013	10	SPACER PIECE
5	V836664012	2	SPACER PIECE
6	V836866827	1	INTAKE MANIFOLD
7	V836847496	2	INTAKE MANIFOLD GASKET [A]
8	V529801470	3	HEX CAP SCREW
9	V836338662	1	SUPPORT
10	V528801410	5	HEX CAP SCREW
11	V529801530	2	HEX CAP SCREW
12	V529801480	3	HEX CAP SCREW
13	V836659276	1	SUPPORT
14	V836867575	1	AIR PIPE
15	V836866699	1	BRACKET
16	V836847532	2	GASKET [A]
17	V836864398	1	INTAKE AIR PREHEATER
18	V529801490	2	HEX CAP SCREW
19	V528800760	2	HEX CAP SCREW
20	V500150532	2	WASHER
21	V836666759	1	SOLENOID
22	V528801080	1	SCREW
23	V500050642	1	WASHER
24	V836666980	1	PRESSURE SENSOR SEE PAGE 01-0031 [A] INCLUDED IN V836840993

Thank you so much for reading.
Please click the “Buy Now!”
button below to download the
complete manual.



After you pay.

You can download the most
perfect and complete manual in
the world immediately.

Our support email:

ebooklibonline@outlook.com