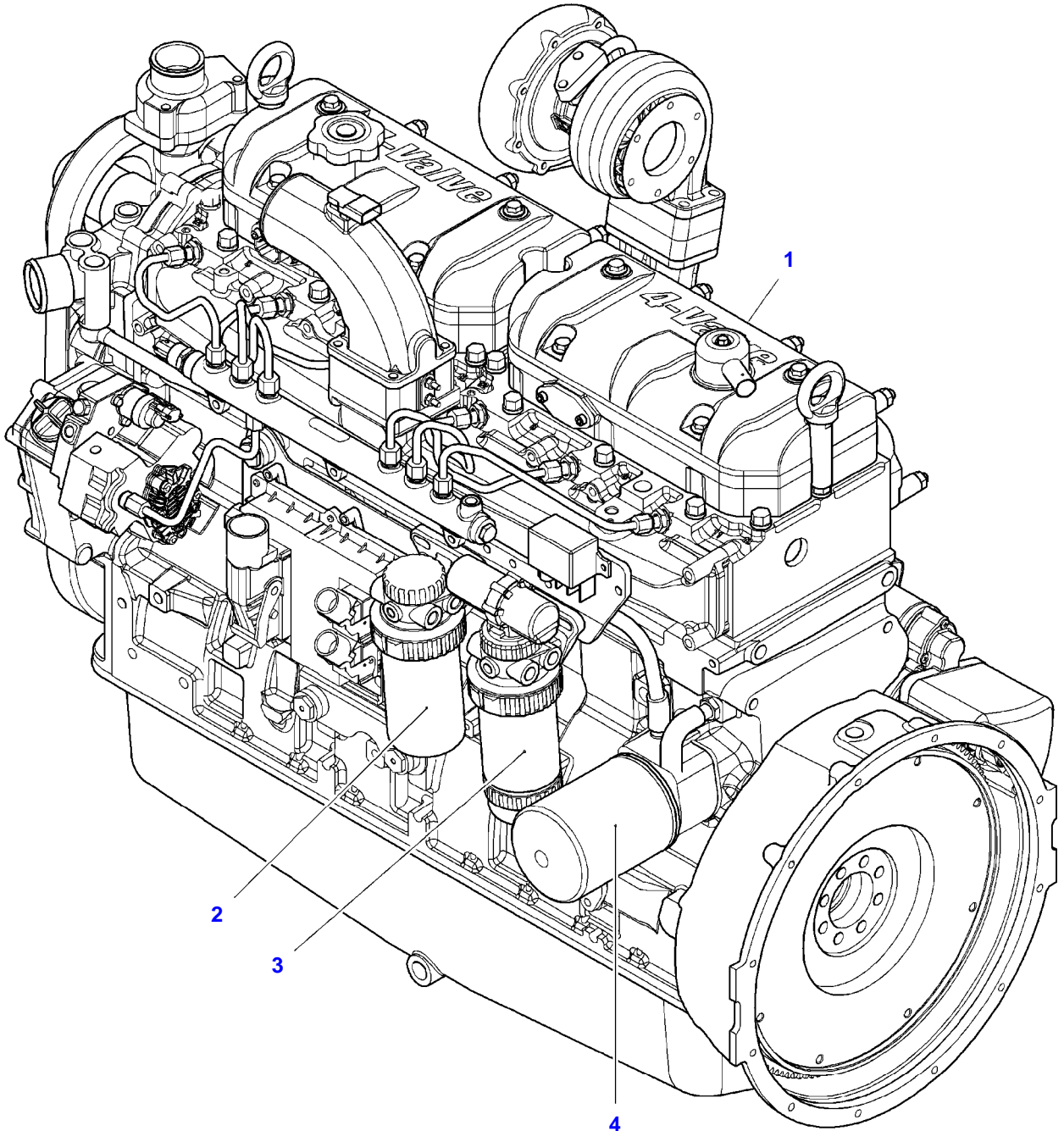


TABLE OF CONTENT

Page Number	Page Title	Page Reference
01-000-TOC	ENGINE	01-000-TOC
02-000-TOC	ENGINE INSTALLATION	02-000-TOC
03-000-TOC	DRIVE SYSTEM	03-000-TOC
04-000-TOC	AXLES	04-000-TOC
05-000-TOC	STEERING SYSTEM	05-000-TOC
06-000-TOC	DRIVE TRAIN SYSTEM	06-000-TOC
07-000-TOC	BRAKE SYSTEM	07-000-TOC
08-000-TOC	HYDRAULIC SYSTEM	08-000-TOC
09-000-TOC	ELECTRICAL SYSTEM	09-000-TOC
10-000-TOC	CAB	10-000-TOC
11-000-TOC	AIR CONDITIONING AND HEATING SYSTEM	11-000-TOC
12-000-TOC	CHASSIS	12-000-TOC
13-000-TOC	DECALS	13-000-TOC
14-000-TOC	WHEELS	14-000-TOC
15-000-TOC	FEEDING SYSTEM	15-000-TOC
16-000-TOC	THRESHING SYSTEM	16-000-TOC
17-000-TOC	CLEANING SYSTEM	17-000-TOC
18-000-TOC	GRAIN BIN AND ELEVATOR SYSTEM	18-000-TOC
19-000-TOC	DISCHARGE SYSTEM	19-000-TOC
20-000-TOC	ACCESSORIES	20-000-TOC

ENGINE

Page Number	Page Title	Page Reference
01-0001	ENGINE ASSEMBLIES	LC03L007-1
01-0002	ENGINE ASSEMBLIES	HB01L001-1
01-0003	CYLINDER BLOCK	HB02L004-1
01-0004	TIMING GEARS AND HOUSING	HB03L004-1
01-0005	FLYWHEEL AND HOUSING	HB04L001-1
01-0006	CRANKSHAFT AND PISTONS	HB05L004-1
01-0007	CAMSHAFT AND VALVE MECHANISM	HB06L002-1
01-0008	CYLINDER HEAD UP TO ENGINE S/N T9823	HB07L002-1
01-0009	CYLINDER HEAD FROM ENGINE S/N T9824	HB07L003-1
01-0010	INTAKE & EXHAUST MANIFOLD	HB19L002-1
01-0011	TURBOCHARGER	0650L003-1
01-0012	OIL SUMP	HB10L003-1
01-0013	OIL COOLER	1465L002-1
01-0014	CENTRIFUGAL OIL FILTER	LD98L002-1
01-0015	WATER PUMP	HB45L003-1
01-0016	FUEL INJECTION SYSTEM	HB16L003-1
01-0017	FUEL FILTER	HB18L004-1
01-0018	ELECTRONIC ENGINE MANAGEMENT	HB48L003-1
01-0019	STARTER MOTOR UP TO ENGINE S/N U1000	HB25L002-1
01-0020	STARTER MOTOR FROM ENGINE S/N U1001	HB25L003-1
01-0021	ALTERNATOR & FITTING BRACKET	HB24L004-1
01-0022	ENGINE OVERHAUL PARTS	HB31L004-1
01-0023	ENGINE GASKET KITS	HB28L004-1



Fendt

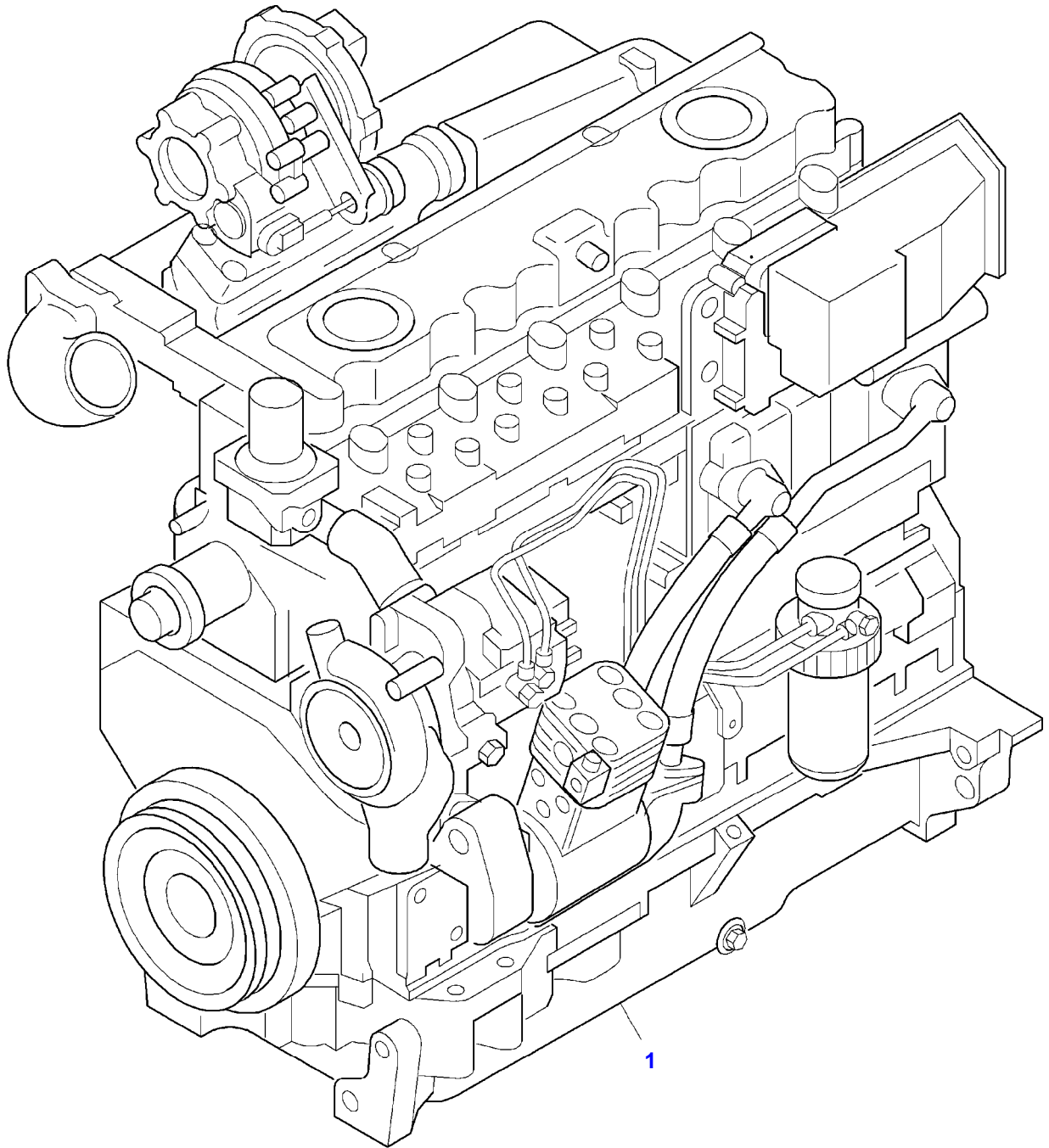
6270L COMBINE (318210001-999 / 565810001-999)

3906254

ENGINE ASSEMBLIES

Page01-0001

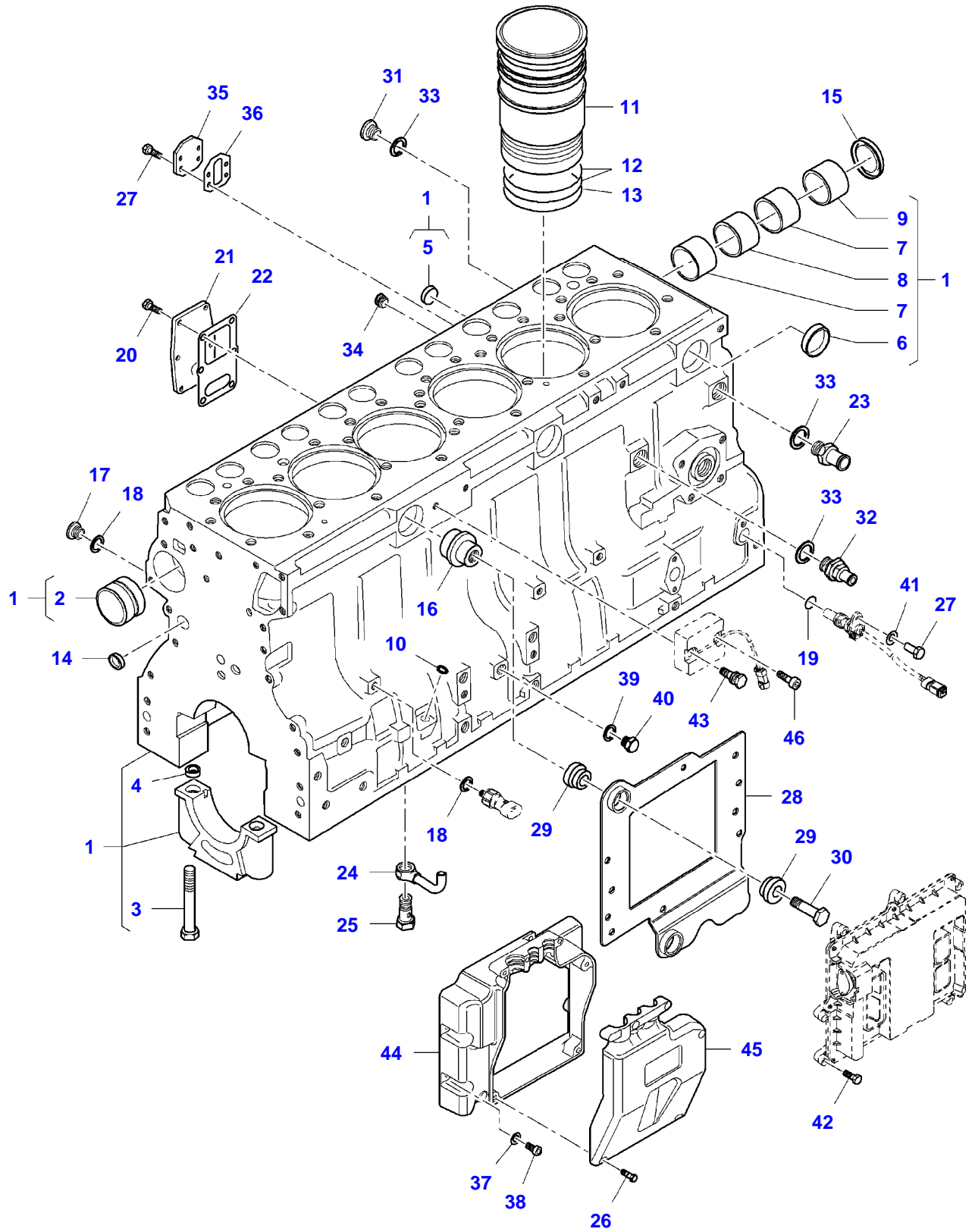
Item	Part Number	Qty	Description Comments	Technical Specification
1	V835076217	1	ENGINE	74 CTA-4V
2	LA323208250	1	FUEL FILTER	
3	LA323208350	1	FUEL FILTER	
4	LA323170650	1	OIL FILTER	



ENGINE ASSEMBLIES

Item	Part Number	Qty	Description Comments	Technical Specification
1	V835061642	1	ENGINE	74 CTA-4V
	V835076217	1	ENGINE	74 CTA-4V
2	V865061642X	1	SHORT BLOCK ENGINE [A]	74 CTA-4V
	V865076217X	1	SHORT BLOCK ENGINE FROM ENGINE S/N U1001 [A]	74 CTA-4V
3	V865076217V	1	LONG BLOCK ENGINE [A] [A] NOT ILLUSTRATED	74 CTA-4V

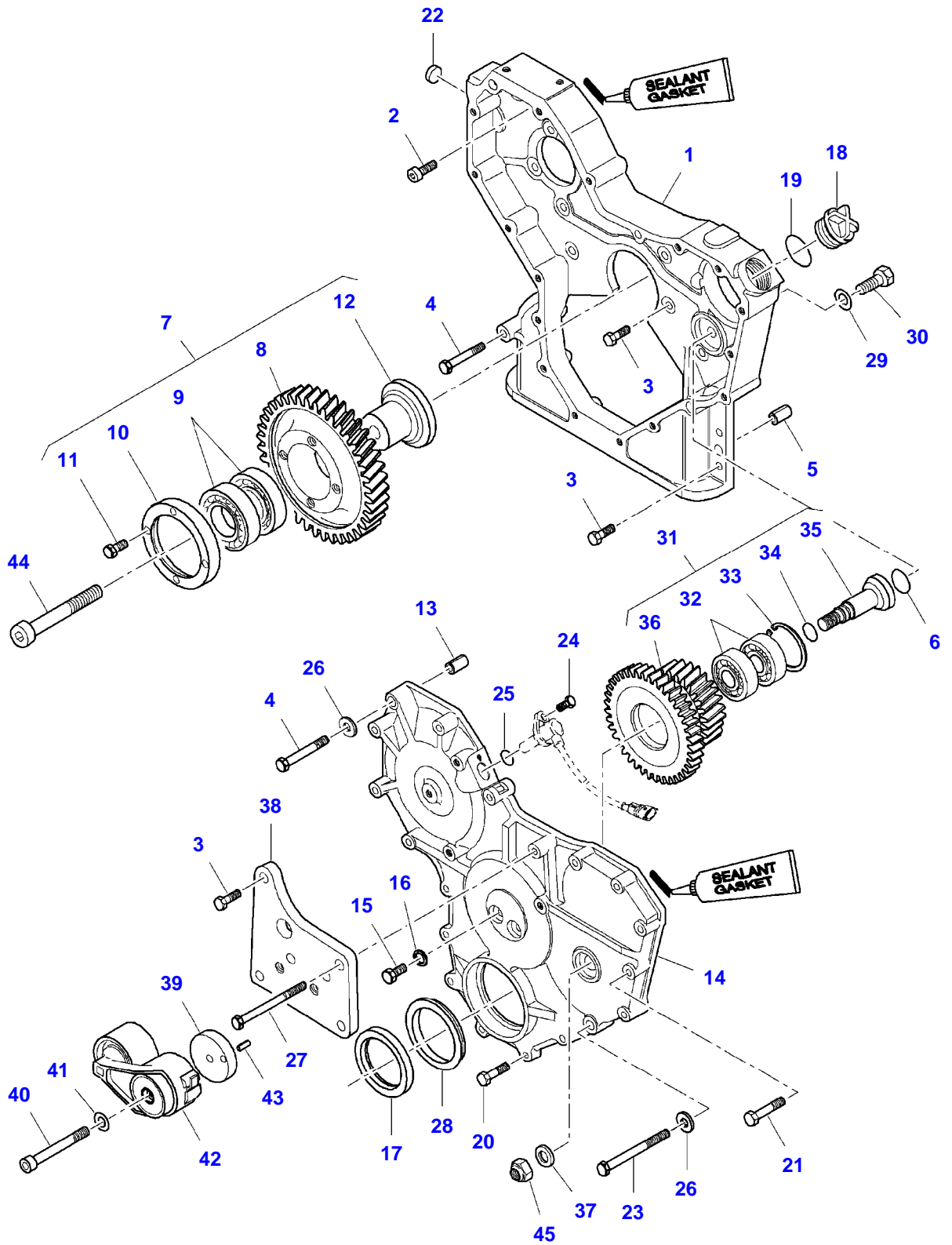
6270L COMBINE (318210001-999 / 565810001-999)
8017313-F5-1



CYLINDER BLOCK

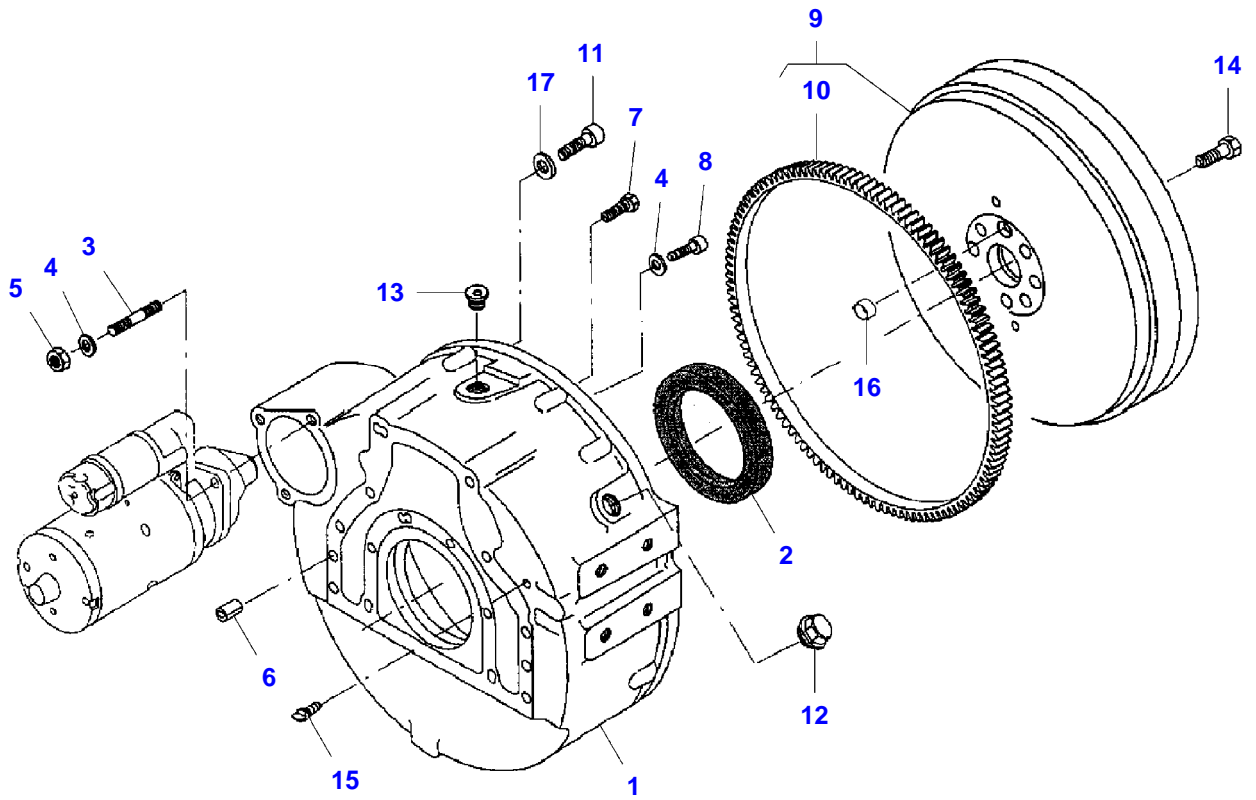
Item	Part Number	Qty	Description Comments	Technical Specification
1	V837070103	1	CYLINDER BLOCK	
2	V836866069	1	CAMSHAFT BEARING BUSH	
	V836866036	X	CAMSHAFT BEARING BUSH	+ 0.40 MM
3	V529903180	14	HEX CAP SCREW	
4	V836214478	78	GUIDE SLEEVE	
5	V640016018	1	CUP PLUG	
6	V640016040	2	CUP PLUG	
7	V836852460	2	CAMSHAFT BEARING BUSH	
8	V836852459	1	CAMSHAFT BEARING BUSH	
9	V836852461	1	CAMSHAFT BEARING BUSH	
10	V640016012	1	CUP PLUG	
11	V836673191	6	LINER	
	V836647933	X	LINER	
	V836647934	X	LINER	
	V836647935	X	LINER	
12	V836647502	12	CYLINDER LINER O-RING [A]	
13	V836647503	6	CYLINDER LINER O-RING [A]	
14	V640016016	4	CUP PLUG [A]	
15	V836852744	1	PLUG	
16	V837069057	1	PLUG	
17	V640325110	4	SCREW PLUG	
18	V615871014	5	SEALING WASHER [A]	
19	V614601524	1	O-RING	
20	V528801380	6	HEX CAP SCREW	
21	V836846444	1	COVER	
22	V836322852	1	GASKET [A]	
23	V836119837	1	HOSE COUPLER	
24	V837070021	6	PIPE	
25	V836338601	6	PRESSURE VALVE	
26	V590253388	6	SCREW	
27	V528801362	5	HEX CAP SCREW	
28	V837070147	1	ECU BRACKET	
29	V837069052	6	RUBBER BUSH	
30	V837069056	3	HEX CAP SCREW	
31	V640325018	1	PLUG	
32	V836664377	1	DRAIN VALVE	
33	V615881824	3	SEALING WASHER [A]	
34	V640025010	1	PLUG UP TO ENGINE S/N	
35	V836866957	1	COVER	
36	V836866958	1	GASKET [A]	
37	V500150642	5	WASHER	
38	V581804182	5	HEX SOCKET SCREW	
39	V615881216	1	SEALING WASHER [A]	
40	V640045112	1	PLUG	
41	V500050840	1	FLAT WASHER	
42	V529801102	8	HEX CAP SCREW	
43	V837070197	2	SCREW	
44	V837070285	1	COVER	
45	V837070286	1	COVER	
46	V581804600	1	HEX SOCKET SCREW UP TO ENGINE S/N [A] INCLUDED IN KIT V837062644	

6270L COMBINE (318210001-999 / 565810001-999)
8017314-F5-1



Item	Part Number	Qty	Description Comments	Technical Specification
1	V837070062	1	TIMING GEAR CASE	
2	V581804620	2	HEX SOCKET SCREW	
3	V528801400	14	HEX CAP SCREW	
4	V529801470	2	HEX CAP SCREW	
5	V598359850	2	PIN	
6	V614601924	1	O-RING	
7	V837070001	1	KIT, GEAR	
8	V837070000	1	IDLER GEAR	
9	V610072109	1	BALL BEARING	
10	V836855565	1	RING	
11	V528901400	4	HEX CAP SCREW	
12	V836855562	1	SHAFT	
13	V598359860	2	PIN	
14	V837070162	1	GEAR HOUSING FRONT COVER	
15	V528801380	2	HEX CAP SCREW	
16	V615870814	2	SEALING WASHER	
17	V836840883	1	CRANKSHAFT SEAL	
	V836873100	X	SPACER RING [A]	+ 3.00 MM
18	V836017927	1	CAP	
19	V614603540	1	O-RING	
20	V528801410	6	HEX CAP SCREW	
21	V529801440	10	HEX CAP SCREW	
22	V640016016	1	CUP PLUG	
23	V529801540	1	HEX CAP SCREW	
24	V528801062	1	HEX CAP SCREW	
25	V614601524	1	O-RING	
			UP TO ENGINE S/N	
	V614601718	1	O-RING	
			FROM ENGINE S/N	
26	V836120989	2	WASHER	
27	V529801560	1	HEX CAP SCREW	
28	V836855636	1	SHIELD	
29	V500951200	1	SPRING WASHER	
30	V528902200	1	HEX CAP SCREW	
			UP TO ENGINE S/N	
	V581705420	1	HEX SOCKET SCREW	
			FROM ENGINE S/N	
31	V837070086	1	DUAL GEAR WHEEL	
32	V610073040	1	BALL BEARING	
33	V617330052	1	LOCK RING	
34	V614601324	1	O-RING	
35	V837069069	1	SHAFT	
36	V837070112	1	DUAL GEAR WHEEL	
37	V837069070	1	WASHER	
38	V837070288	1	RETAINING PLATE	
39	V837067787	1	FLANGE	
40	V581805170	1	HEX SOCKET SCREW	
41	V500951000	1	SPRING WASHER	
42	V836667411	1	TENSIONER	
43	V595954600	1	PIN	
44	V581705910	1	HEX SOCKET SCREW	
45	V504601400	1	NUT	

[A] INCLUDED IN KIT V837062644

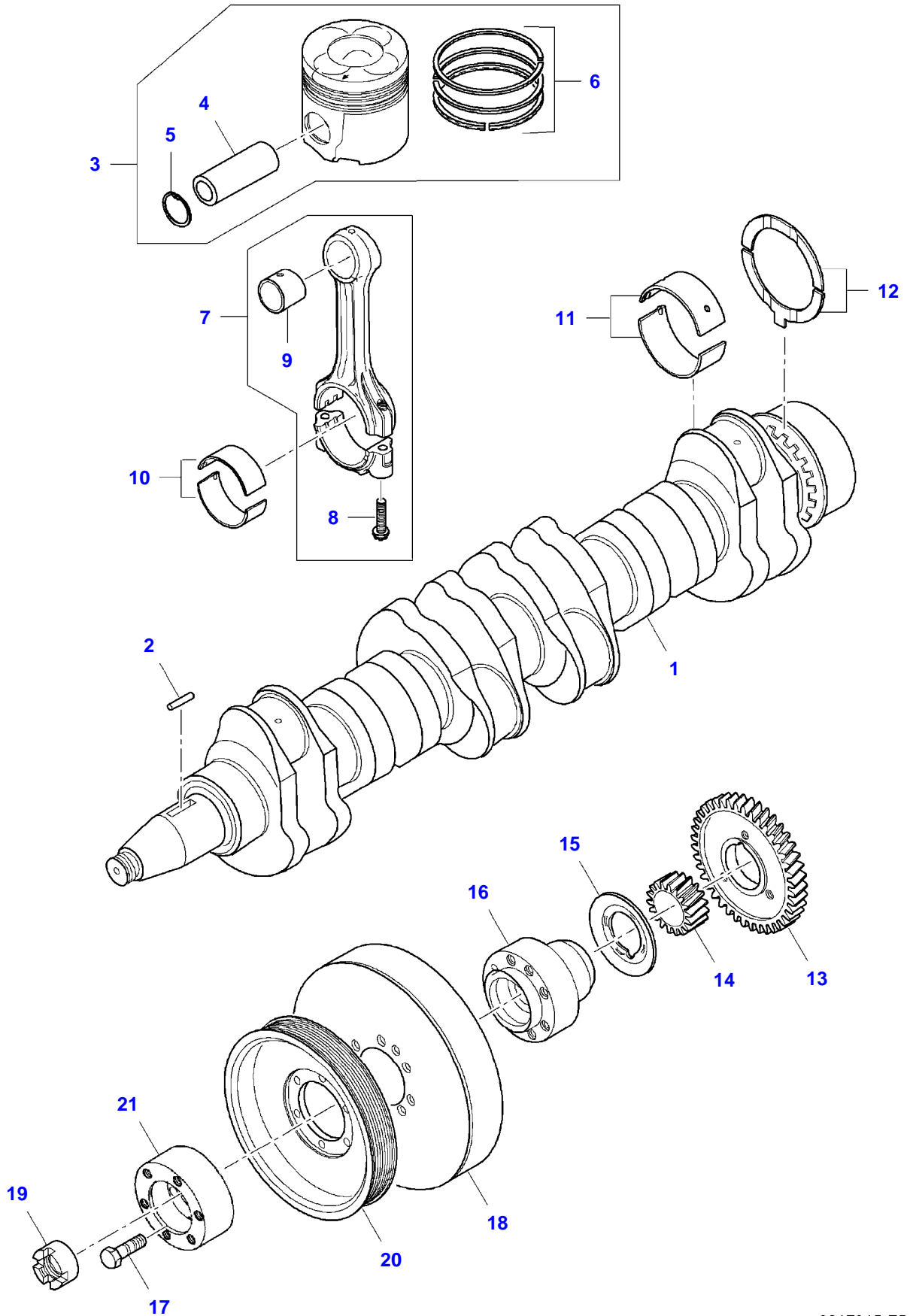


FLYWHEEL AND HOUSING

Item	Part Number	Qty	Description Comments	Technical Specification
1	V836647440	1	FLYWHEEL HOUSING	
2	V614500002	1	CRANKSHAFT SEAL [A]	
	V836020054	X	SPACER RING	+ 2.00 MM
3	V546801800	3	STUD BOLT	
4	V500951000	6	SPRING WASHER	
5	V504801000	3	NUT	
6	V598359850	2	PIN	
7	V528902220	6	HEX CAP SCREW	
8	V581705030	6	HEX SOCKET SCREW	
9	V836655066	1	FLYWHEEL	
10	V836117970	1	STARTER RING	
11	V581705440	2	HEX SOCKET SCREW	
12	V640045126	1	PLUG	
13	V640325018	1	PLUG	
14	V528702230	8	HEX CAP SCREW	
15	V836859311	1	PLUG	
16	V836659527	1	GUIDE SLEEVE	
17	V500951200	9	SPRING WASHER	

[A] INCLUDED IN KIT V837062644

6270L COMBINE (318210001-999 / 565810001-999)
8017315-F5-1

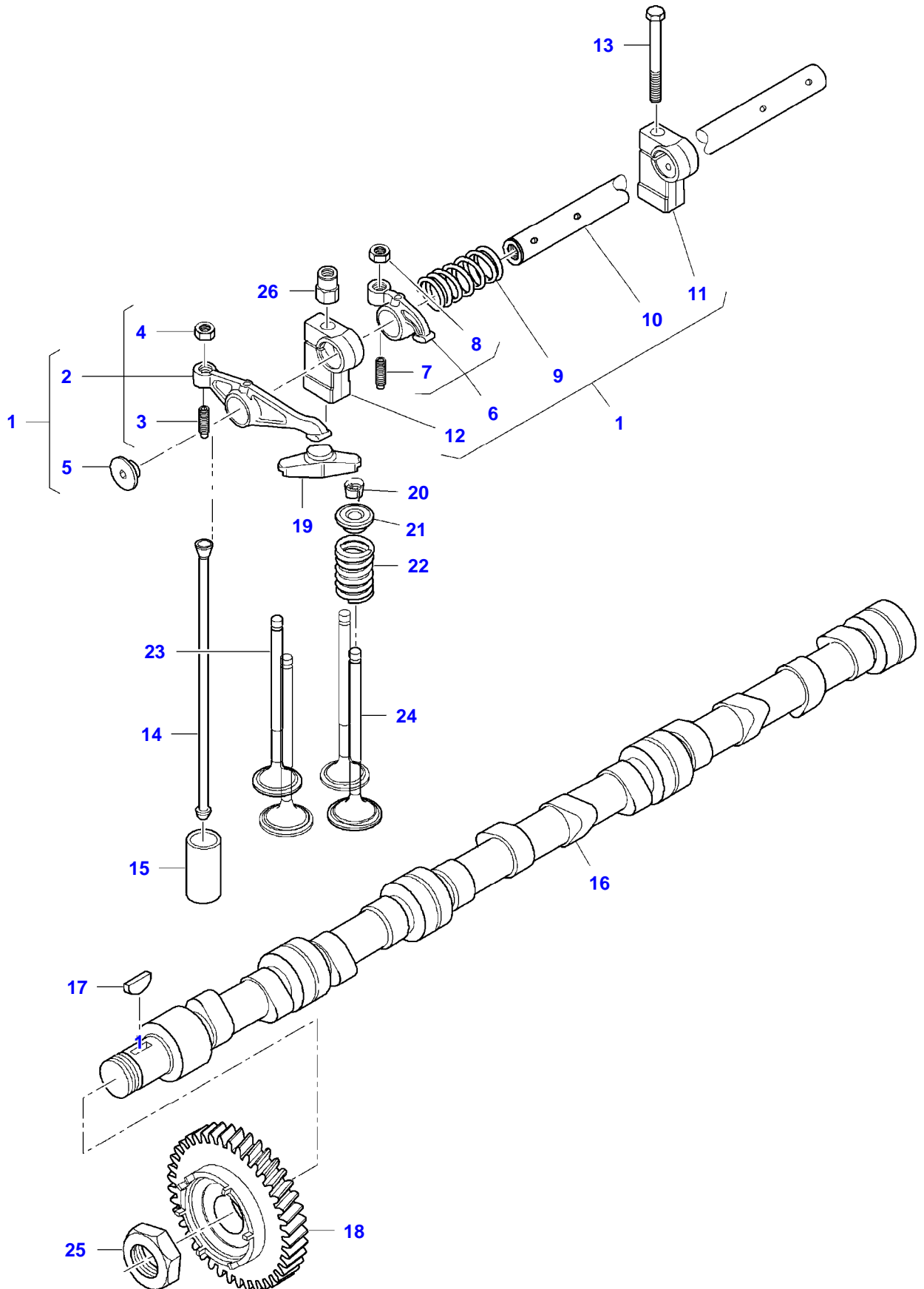


Item	Part Number	Qty	Description Comments	Technical Specification
1	V837069089	1	CRANKSHAFT	
2	V836855525	1	KEY	
3	V837064948	6	PISTON UP TO ENGINE S/N U1000	
	V837073229	6	PISTON FROM ENGINE S/N U1001	
4	NS	6	NON-SERVICEABLE PART	
5	NS	12	NON-SERVICEABLE PART	
6	V836640078	6	PISTON RING KIT	
7	V836840928	1	CONNECTING ROD KIT COMPLETE ASSEMBLY	
	V836666430	6	CONROD 1935-1954g F	
	V836666431	X	CONROD 1955-1974g V	
	V836666432	X	CONROD 1975-1994g X	
	V836666433	X	CONROD 1995-2014g Y	
	V836666434	X	CONROD 2015-2034g W	
	V836666435	X	CONROD 2035-2054g Z	
	V836666436	X	CONROD 2055-2074g G	
8	V836864141	12	CONNECTING ROD BOLT	
9	V836110646	6	BEARING BUSH	STD
10	V836110552	6	BEARING SHELL STANDARD 67,981MM 68,000MM	
	V836112762	X	BEARING SHELL 67,731MM 67,750MM	
	V836112763	X	BEARING SHELL 67,481MM 67,500MM	
	V836112765	X	BEARING SHELL 66,981MM 67,000MM	
	V836112767	X	BEARING SHELL 66,481MM 66,50MM	
11	V836840944	7	MAIN BEARING STANDARD 89,985MM 90,020MM	STD
	V836840978	X	MAIN BEARING 89,735MM 89,770MM	+ 0.25 MM
	V836840979	X	MAIN BEARING 89,485MM 90,520MM	+ 0.50 MM
	V836840980	X	MAIN BEARING 88,985MM 89,020MM	
	V836840981	X	MAIN BEARING 88,485MM 88,520MM	
12	V836840945	2	THRUST WASHER STANDARD	
	V836840945	2	THRUST WASHER STANDARD	
	V836840982	X	THRUST WASHER THICKNESS 0,1MM	+ 0.10 MM

CRANKSHAFT AND PISTONS

Item	Part Number	Qty	Description Comments	Technical Specification
	V836840983	X	THRUST WASHER THICKNESS 0,2MM	+ 0.20 MM
13	V836855558	1	GEAR,CRANKSHAFT	
14	V837069060	1	GEAR	
15	V836855637	1	RING	
16	V837070178	1	CRANKSHAFT HUB	
17	V581705490	6	HEX SOCKET SCREW	
18	V837070177	1	CRANKSHAFT VIBRATION DAMPENER	
19	V836322221	1	CRANKSHAFT NUT	
20	V837070287	3	PULLEY	
21	V837070345	1	SPACER	

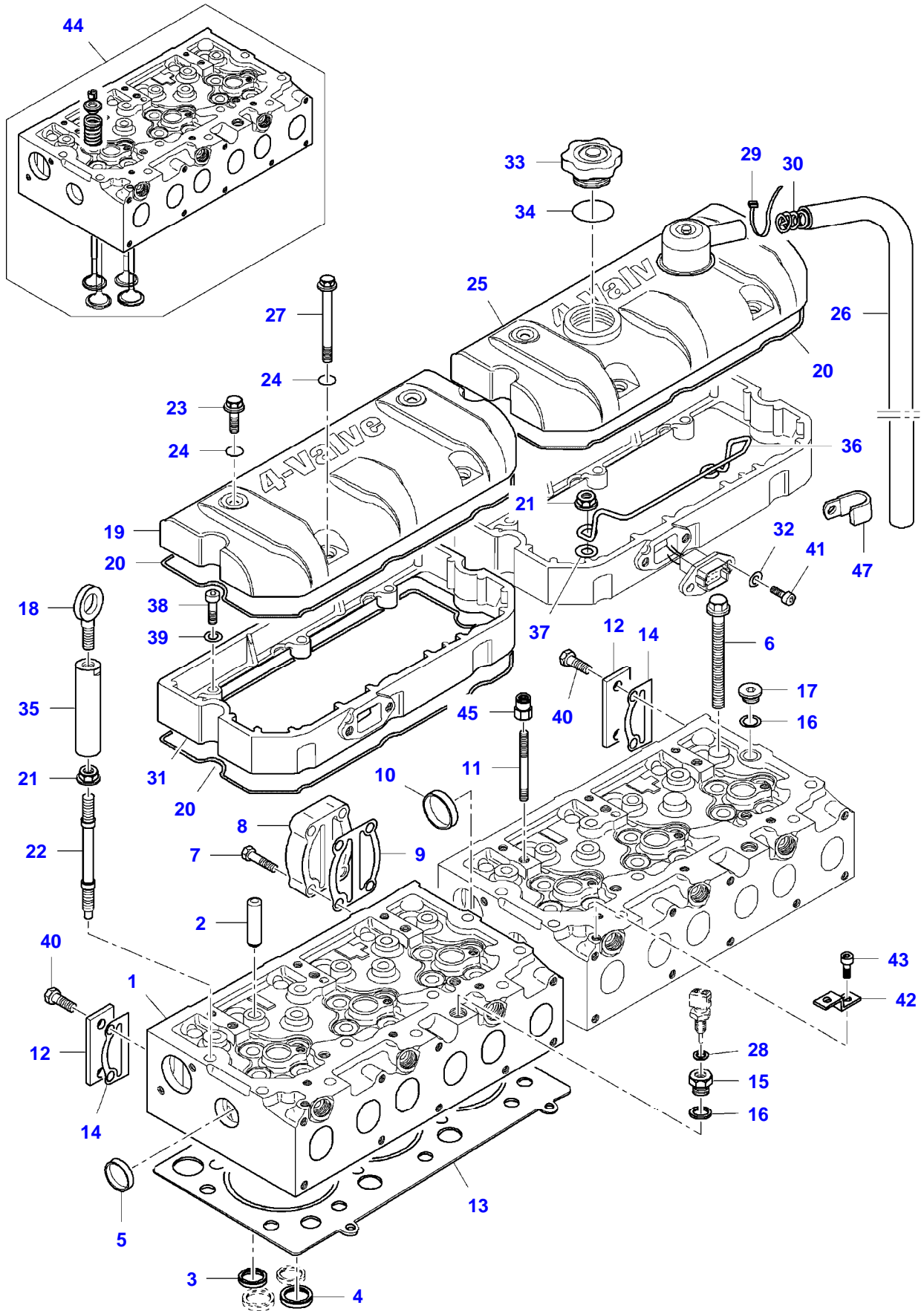
6270L COMBINE (318210001-999 / 565810001-999)
8017307-F5-1



CAMSHAFT AND VALVE MECHANISM

Item	Part Number	Qty	Description Comments
1	V837069016	1	ROCKER SHAFT ASM COMPLETE ASSEMBLY
2	V837069011	1	ROCKER ARM VALVE INLET
3	V837069023	6	VALVE ROCKER ADJUSTMENT SCREW
4	V512861000	6	NUT
5	V837069020	4	PLUG
6	V837069013	6	ROCKER ARM VALVE EXHAUST
7	V837069023	6	VALVE ROCKER ADJUSTMENT SCREW
8	V512861000	6	NUT
9	V837069019	4	SPRING
10	V837069015	2	SHAFT
11	V837069018	2	ROCKER SHAFT BRACKET
12	V837069017	4	ROCKER SHAFT BRACKET
13	V529801920	2	HEX CAP SCREW
14	V837069014	12	PUSH ROD
15	V836014264	12	TAPPET
16	V837070148	1	CAMSHAFT
17	V603305760	1	WOODRUFF KEY
18	V837070036	1	GEAR,CAMSHAFT
19	V837073089	12	VALVE BRIDGE
20	V837064910	48	COTTER
21	V837069004	24	SPRING PLATE
22	V837069005	24	VALVE SPRING
23	V837069002	12	EXHAUST VALVE
24	V837069003	12	INTAKE VALVE
25	V837069085	1	NUT
26	V836655406	4	SLEEVE NUT

6270L COMBINE (318210001-999 / 565810001-999)
8017316-F5-1



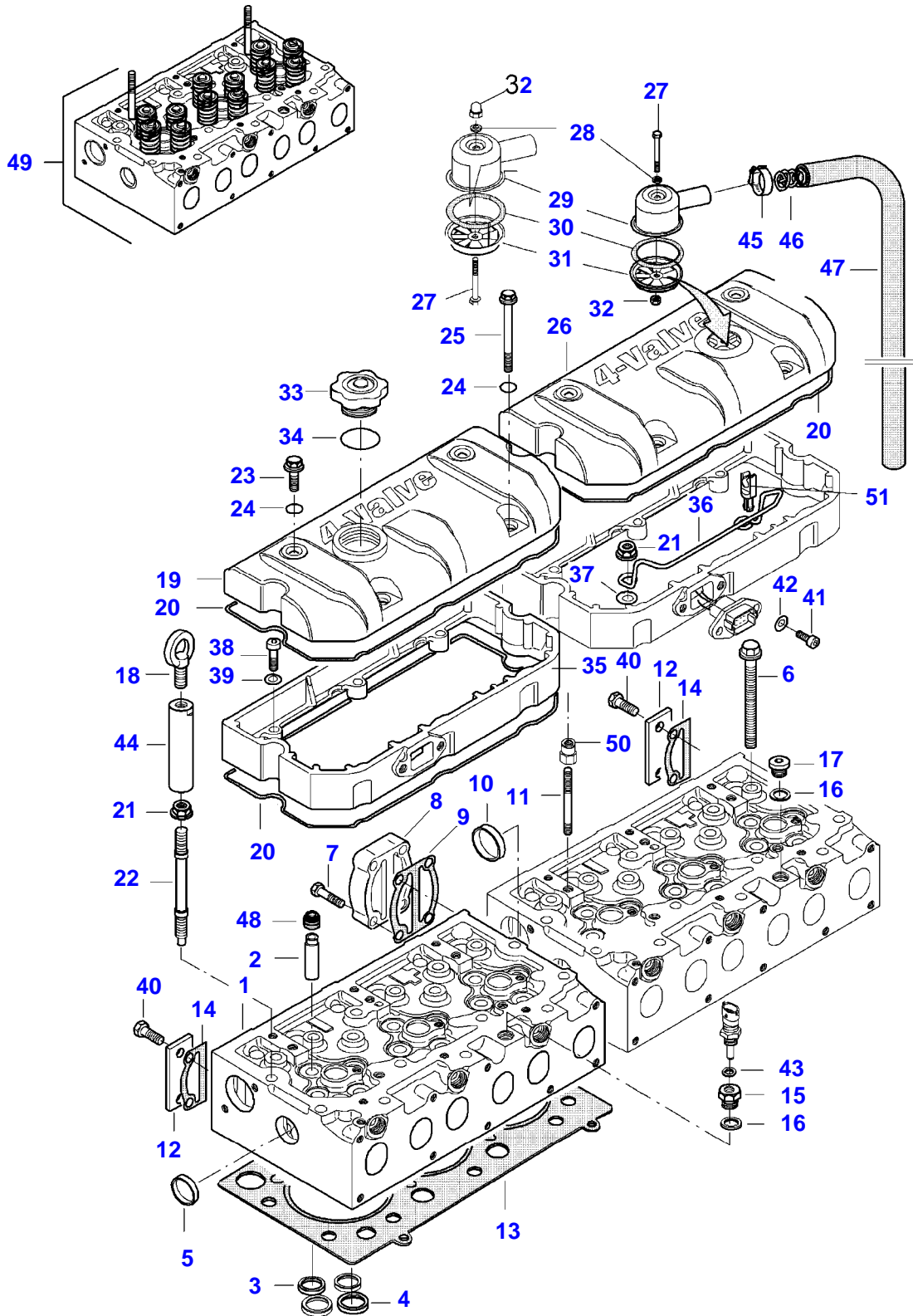
CYLINDER HEAD

Item	Part Number	Qty	Description Comments	Technical Specification
			UP TO ENGINE S/N T9823	
1	V837069001	2	CYLINDER HEAD COMPLETE ASSEMBLY	
2	V837064906	24	VALVE GUIDE [B]	
3	V837064907	12	VALVE SEAT [B]	STD 4V EXHAUST
4	V837064908	12	VALVE SEAT [B]	STD 4V INTAKE
5	V836647942	4	CUP PLUG [B]	
6	V837069025	27	CYLINDER HEAD BOLT	
7	V528801830	4	HEX CAP SCREW	
8	V836855348	1	CONNECTION FLANGE	
9	V836867390	1	GASKET [A]	
10	V640016045	1	CUP PLUG	
11	V546801900	4	STUD BOLT	
12	V836855350	2	BLOCK OFF PLATE	
13	V837070290	2	CYLINDER HEAD GASKET [A]	
14	V836867753	2	GASKET [A]	
15	V836119643	1	THREADED NIPPLE	
16	V615881822	2	SEALING WASHER [A]	
17	V640325018	1	PLUG	
18	V836640752	2	LIFT EYE	
19	V837070170	1	COVERING	
20	V837069024	4	GASKET [A]	
21	V836859110	9	NUT	
22	V836859109	7	STUD BOLT	
23	V540801780	4	HEXAGON FLANGE BOLT	
24	V614901030	8	O-RING [A]	
25	V837069029	1	COVERING	
26	V837070346	1	BREATHER HOSE	
27	V540801910	4	HEXAGON FLANGE BOLT	
28	V615881418	1	SEALING WASHER [A]	
29	V835329746	1	CABLE TIE	
30	V837070343	1	SPRING	
31	V837069021	2	VALVE ROCKER COVER FRAME	
32	V500150842	4	WASHER	
33	V836338733	1	OIL FILLER CAP	
34	V614604740	1	O-RING [A]	
35	V836867567	2	LIFTING EYE EXTENSION	
36	V837069026	1	BRACKET	
37	V500951200	4	SPRING WASHER	
38	V581804630	6	HEX SOCKET SCREW	
39	V500950800	6	SPRING WASHER	
40	V528801800	4	HEX CAP SCREW	
41	V581804602	4	HEX SOCKET SCREW	
42	V836747849	1	SUPPORT	
43	V581804582	1	HEX SOCKET SCREW	
44	V837062565	2	CYLINDER HEAD	
45	V836655406	4	SLEEVE NUT	
47	V602075528	1	HOSE CLIP	

[A] INCLUDED IN KIT V837062646

[B] INCLUDED IN ITEM 1

6270L COMBINE (318210001-999 / 565810001-999)
8018940-F5-1



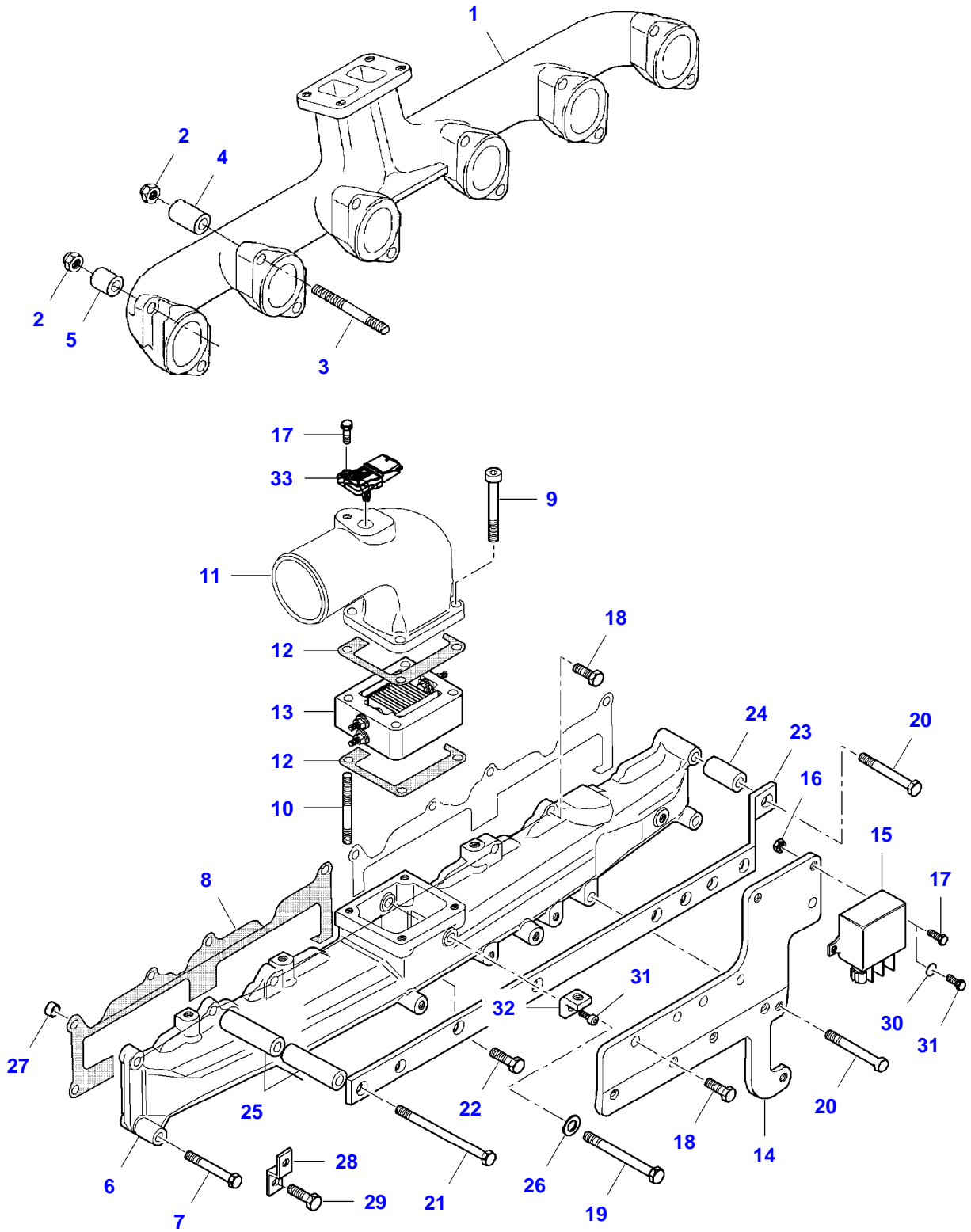
CYLINDER HEAD

Item	Part Number	Qty	Description Comments	Technical Specification
			FROM ENGINE S/N T9824	
1		2		
			CYLINDER HEAD	
2	V837073174	24	VALVE GUIDE [D]	
3	V837064907	12	VALVE SEAT [D]	STD 4V EXHAUST
4	V837064908	12	VALVE SEAT [D]	STD 4V INTAKE
5	V836647942	4	CUP PLUG [D]	
6	V837069025	28	CYLINDER HEAD BOLT UP TO ENGINE S/N U1000	
	V837069025	32	CYLINDER HEAD BOLT FROM ENGINE S/N U1001	
7	V528801830	4	HEX CAP SCREW	
8	V836855348	1	CONNECTION FLANGE	
9	V836867752	1	GASKET [A]	
10	V640016045	1	CUP PLUG	
11	V546801900	4	STUD BOLT	
12	V836855350	2	BLOCK OFF PLATE	
13	V837070290	2	CYLINDER HEAD GASKET [A]	
14	V836867753	2	GASKET [A]	
15	V836119643	1	THREADED NIPPLE	
16	V615881822	2	SEALING WASHER [A]	
17	V640325018	1	PLUG	
18	V836640752	2	LIFT EYE	
19	V837070447	1	VALVE ROCKER COVER	
20	V837067881	4	VALVE ROCKER COVER GASKET [A]	
21	V836859110	10	NUT UP TO ENGINE S/N U1000	
	V836859110	2	NUT FROM ENGINE S/N U1001	
22	V836859109	6	STUD BOLT UP TO ENGINE S/N U1000	
	V836859109	2	STUD BOLT FROM ENGINE S/N U1001	
23	V540801780	4	HEXAGON FLANGE BOLT	
24	V614901030	8	O-RING [A]	
25	V540801910	4	HEXAGON FLANGE BOLT	
26	V837070452	1	VALVE ROCKER COVER	
27	V528801192	1	HEX CAP SCREW UP TO ENGINE S/N U1000	
	V528801172	1	HEX CAP SCREW FROM ENGINE S/N U1001	
28	V836667508	1	SEALING WASHER [E]	
29	V837070442	1	BREATHER CAP [E]	
30	V836667459	1	GASKET [E]	
31	V837070443	1	BREATHER [E]	
32	V510600602	1	NUT UP TO ENGINE S/N U1000	
			[E]	

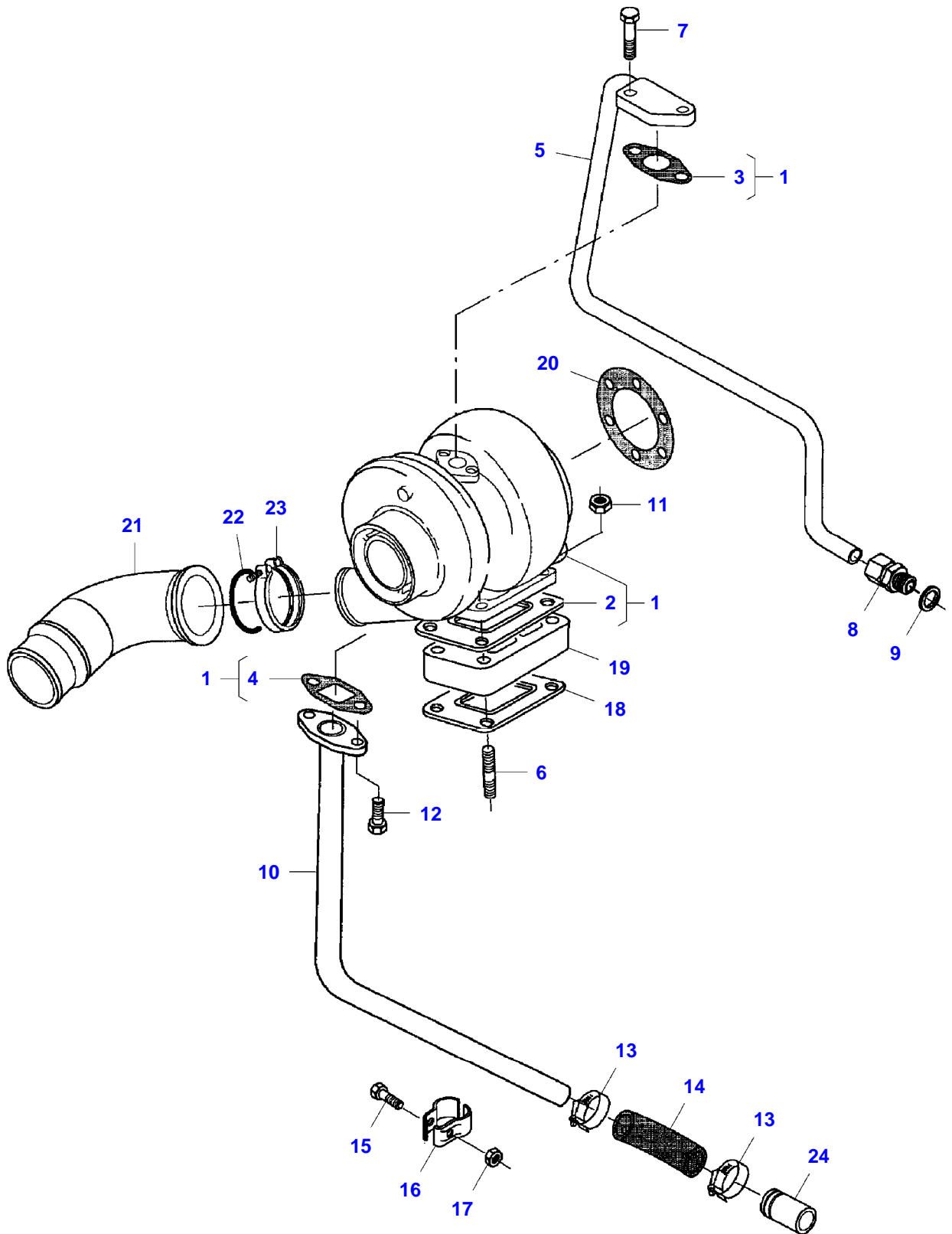
CYLINDER HEAD

Item	Part Number	Qty	Description Comments	Technical Specification
	V519600602	1	NUT FROM ENGINE S/N U1001 [E]	
33	V836338733	1	OIL FILLER CAP	
	V836659968	1	OIL FILLER CAP	
34	V614704850	1	O-RING [A]	
35	V837069021	2	VALVE ROCKER COVER FRAME	
36	V837069026	1	BRACKET	
37	V500951200	4	SPRING WASHER	
38	V581804630	6	HEX SOCKET SCREW	
39	V500950800	6	SPRING WASHER	
40	V528801800	4	HEX CAP SCREW	
41	V581804602	4	HEX SOCKET SCREW	
42	V500150842	4	WASHER	
43	V615881418	1	SEALING WASHER [A]	
44	V836867567	2	LIFTING EYE EXTENSION	
45	V602078532	1	HOSE CLIP	
46	V837070343	1	SPRING	
47	V837070346	1	BREATHER HOSE	
48	V837073165	24	VALVE STEM GASKET	
49	V837073233	1	CYLINDER HEAD FRONT	
	V837073234	1	CYLINDER HEAD REAR	
50	V836655406	4	SLEEVE NUT	
51	V837073227	4	BAND FROM ENGINE S/N U1001 [A] INCLUDED IN KIT V837062646 [D] INCLUDED IN ITEM 1 [E] INCLUDED IN ITEM 26	

6270L COMBINE (318210001-999 / 565810001-999)
8017321-F5-1

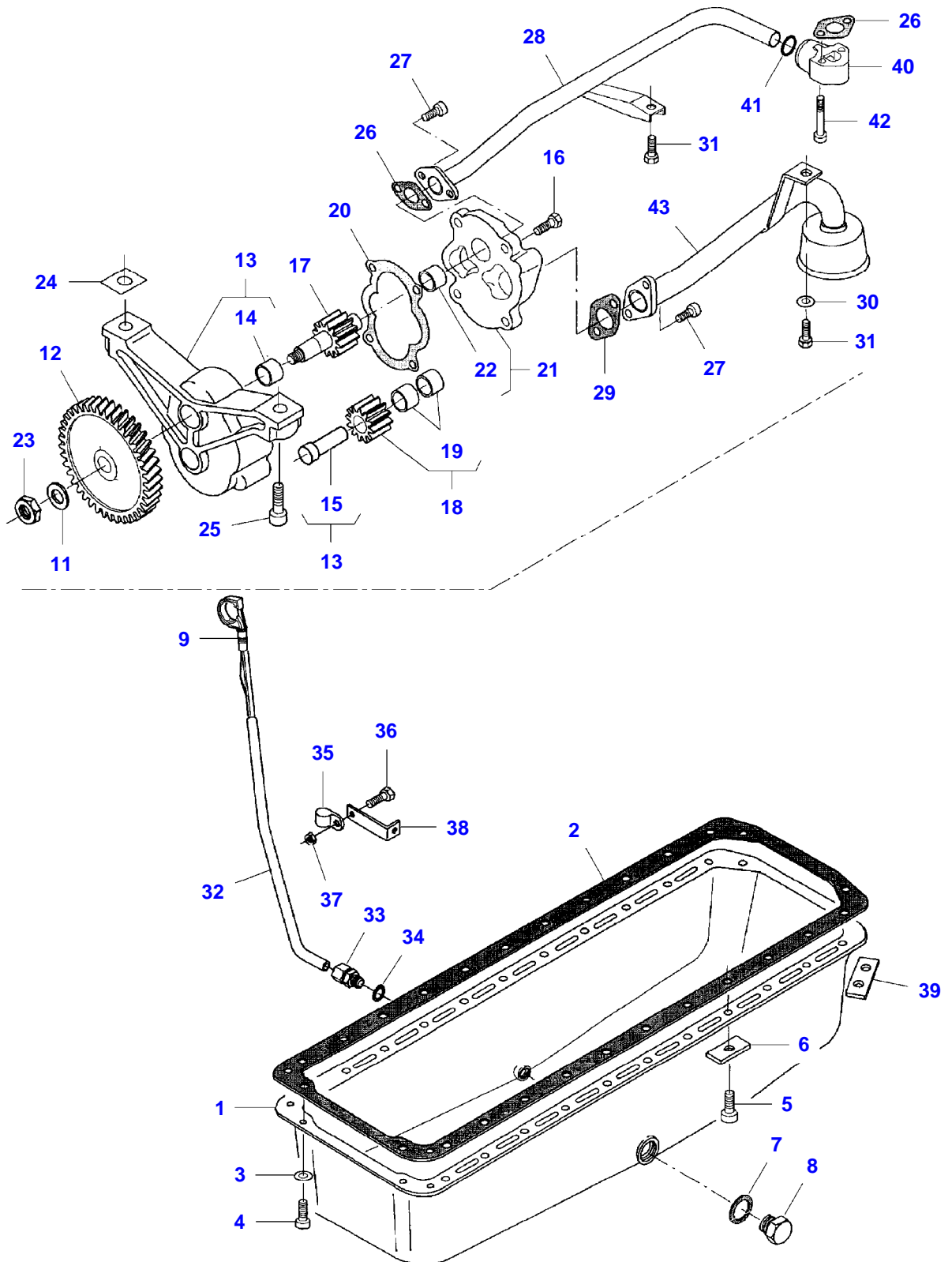


Item	Part Number	Qty	Description Comments
1	V836867065	1	EXHAUST MANIFOLD
2	V513601002	12	NUT
3	V836859188	12	STUD BOLT
4	V836664013	10	SPACER PIECE
5	V836664012	2	SPACER PIECE
6	V837070219	1	INTAKE MANIFOLD
7	V529801470	2	HEX CAP SCREW
8	V837069009	2	INTAKE MANIFOLD GASKET [A]
9	V581804702	4	HEX SOCKET SCREW
10	V546801490	2	STUD BOLT
11	V836867579	1	AIR PIPE
12	V837067345	2	GASKET [A]
13	V837067295	1	INTAKE AIR PREHEATER
14	V837070195	1	BRACKET
15	V837069047	1	RELAY
16	V510600602	2	NUT
17	V528801082	3	HEX CAP SCREW
18	V528801400	3	HEX CAP SCREW
19	V529801550	1	HEX CAP SCREW
20	V529801530	3	HEX CAP SCREW
21	V529801595	1	HEX CAP SCREW
22	V528801410	6	HEX CAP SCREW
23	V837070289	1	SUPPORT
24	V836652095	1	SPACER PIECE
25	V836759433	2	SPACER PIECE
26	V836015967	1	SEALING WASHER [A]
27	V598355365	1	PIN
28	V836747849	2	SUPPORT
29	V528801360	2	HEX CAP SCREW
30	V500050642	2	WASHER
31	V581804182	3	HEX SOCKET SCREW
32	V837073199	1	SUPPORT
33	V836666980	1	PRESSURE SENSOR SEE PAGE 01-0018 [A] INCLUDED IN KIT V837062646



TURBOCHARGER

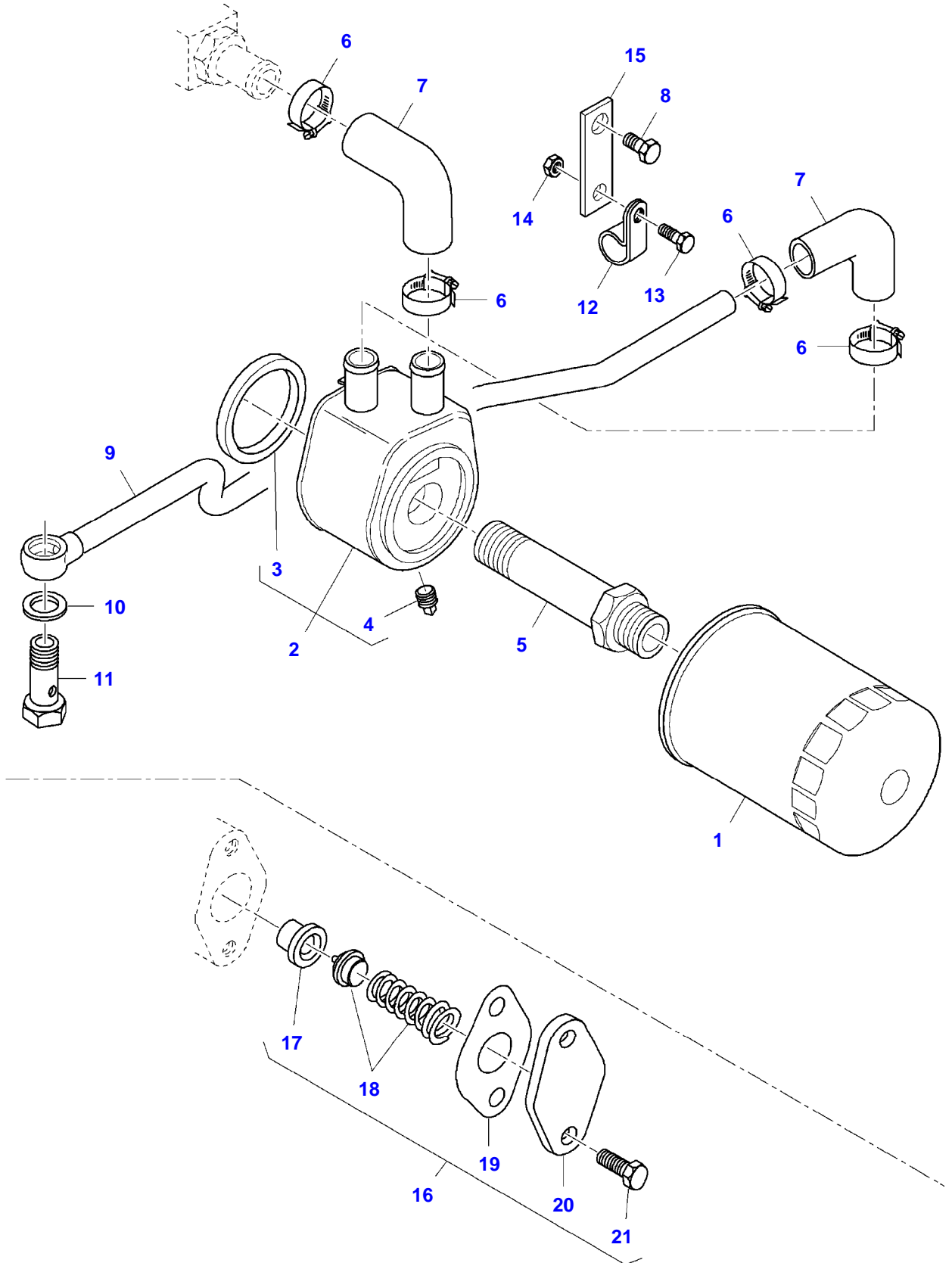
Item	Part Number	Qty	Description Comments
1	V836866584	1	TURBOCHARGER
2	V836316726	1	GASKET [A]
3	V836866808	1	GASKET [A]
4	V836866809	1	GASKET [A]
5	V837070341	1	TURBOCHARGER LUBRICATION OIL PIPE
6	V546701900	4	STUD BOLT
7	V528801410	2	HEX CAP SCREW
8	V641086012	1	STRAIGHT FITTING
9	V615881620	1	SEALING WASHER [A]
10	V837070342	1	TURBOCHARGER LUBRICATION OIL PIPE
11	V521601000	4	NUT
12	V528801380	2	HEX CAP SCREW
13	V602087528	2	HOSE CLIP
14	V836647576	1	RUBBER ELBOW
15	V529801112	1	HEX CAP SCREW
16	V835324324	2	PIPE CLAMP HALF
17	V504600602	1	NUT
18	V836316726	1	GASKET [A]
19	V837070340	1	FLANGE
20	V836338985	1	GASKET [A]
21	V836866381	1	BOOST PIPE
22	V614606225	1	O-RING [A]
23	V836866454	1	V CLAMP
24	V836647574	1	OIL PIPE [A] INCLUDED IN KIT V837062646



OIL SUMP

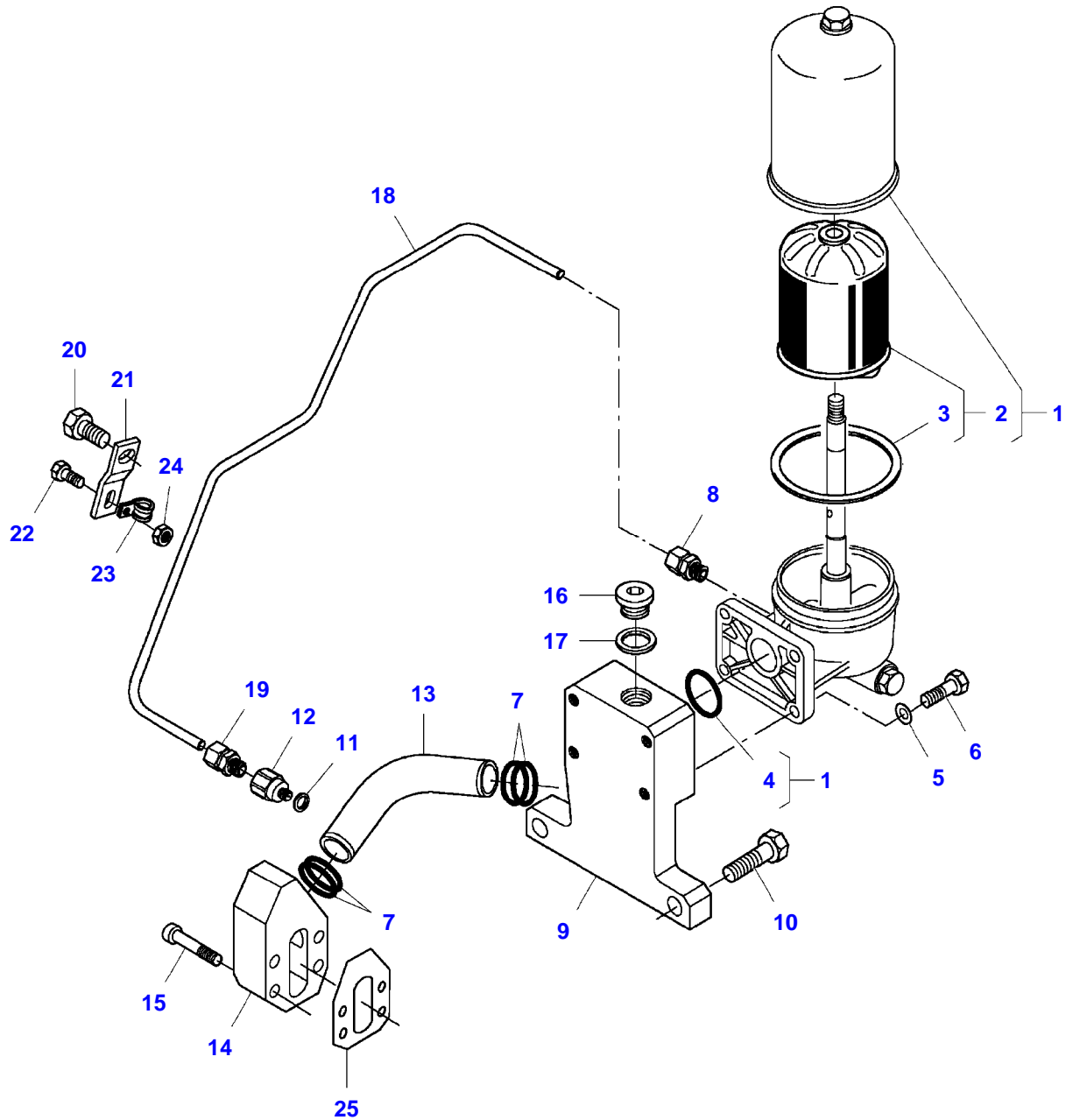
Item	Part Number	Qty	Description Comments
1	V836347308	1	OIL SUMP
2	V836322538	1	OIL SUMP GASKET [A]
3	V500950800	4	SPRING WASHER
4	V581804600	4	HEX SOCKET SCREW
5	V581805000	24	HEX SOCKET SCREW
6	V836859560	20	WASHER
7	V615882227	1	SEALING WASHER [A]
8	V640045022	1	PLUG
9	V836867888	1	DIPSTICK
10	V836855300	1	LUBRICATING OIL PUMP [A][B]
11	V836122910	1	WASHER [C]
12	V836338667	1	GEAR [C]
13	V836338186	1	FRAME [C]
14	V836322909	1	BUSH
15	V836322906	1	OIL PUMP SHAFT
16	V528801380	4	HEX CAP SCREW [C]
17	V836338182	1	OIL PUMP SHAFT [C]
18	V836338180	1	GEAR,OIL PUMP [C]
19	V836322909	2	BUSH
20	V836338188	1	GASKET [A][C]
21	V836855297	1	COVER [C]
22	V836322909	1	BUSH
23	V504861000	1	NUT [C]
24	V836007871	X	SHIM
25	V581805050	2	HEX SOCKET SCREW
26	V836008449	2	GASKET [A]
27	V581804600	4	HEX SOCKET SCREW
28	V836866569	1	OIL PIPE
29	V836338201	1	GASKET [A]
30	V500150840	1	WASHER
31	V528801362	2	HEX CAP SCREW
32	V836867889	1	OIL DIPSTICK GUIDE PIPE
33	V641086012	1	STRAIGHT FITTING
34	V615881622	1	SEALING WASHER [A]
35	V602060612	1	RETAINER CLAMP
36	V528801400	2	HEX CAP SCREW
37	V504800800	1	NUT
38	V836859955	1	SUPPORT
39	V836859561	2	WASHER
40	V836866563	1	ADAPTER FLANGE
41	V614702230	1	O-RING
42	V581804680	2	HEX SOCKET SCREW
43	V836855674	1	OIL PUMP SUCTION PIPE [A] INCLUDED IN KIT V837062644 [B] NOT ILLUSTRATED [C] INCLUDED IN ITEM 10

6270L COMBINE (318210001-999 / 565810001-999)
8017319-F5-1



OIL COOLER

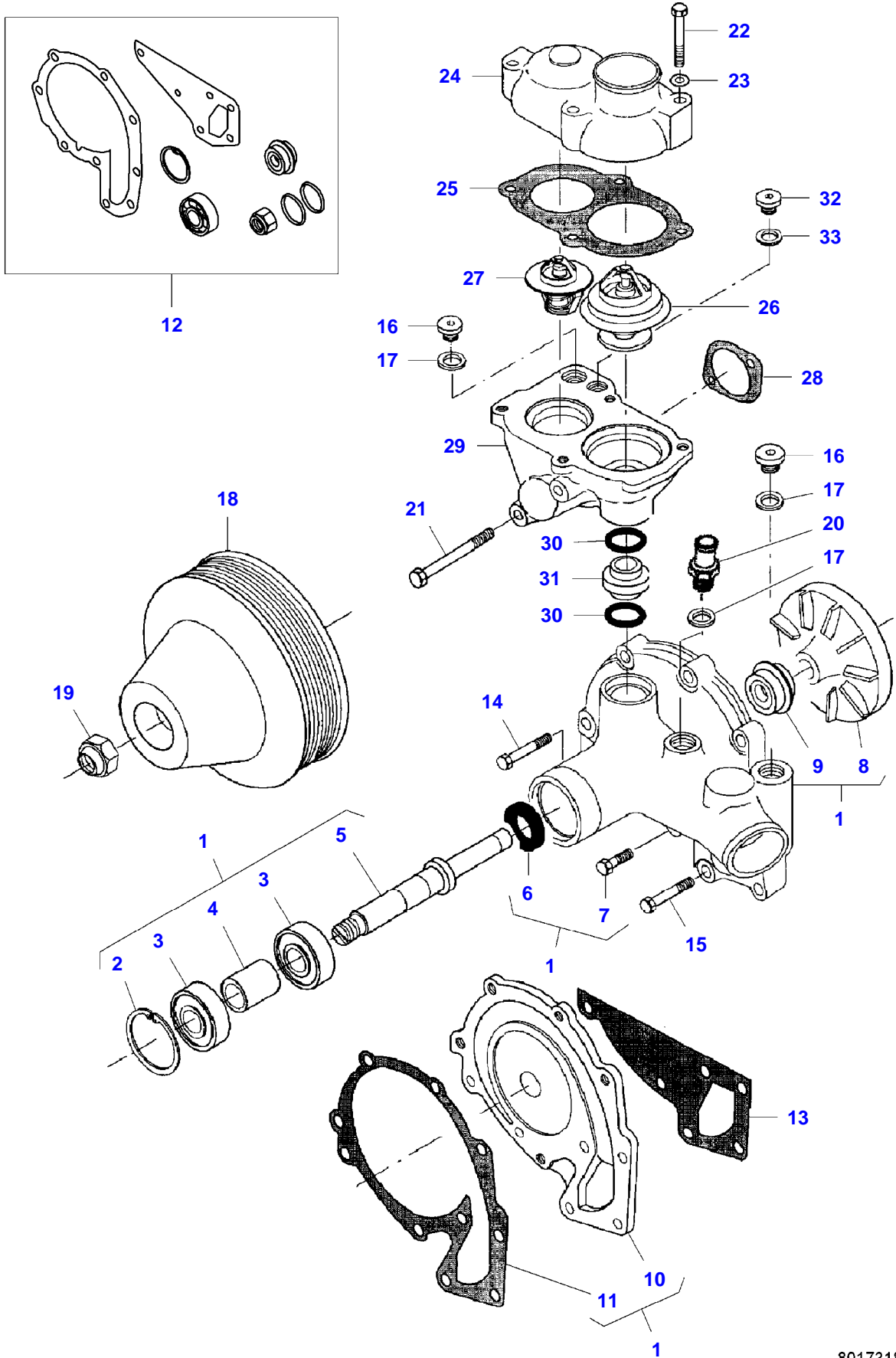
Item	Part Number	Qty	Description Comments
1	V836662580	1	ENGINE OIL FILTER
2	V836859699	1	OIL COOLER
3	V836862235	1	SEAL
4	V640025006	1	PLUG
5	V836859700	1	UNION
6	V602079516	4	HOSE CLIP
7	V836859899	1	RUBBER ELBOW
8	V528801760	1	HEX CAP SCREW
9	V837070173	1	WATER PIPE
10	V615881822	1	SEALING WASHER [A]
11	V640435015	1	BANJO BOLT
12	V602074615	1	RETAINER CLAMP
13	V529801380	1	SCREW
14	V504800800	1	NUT
15	V837070143	1	SUPPORT
16	V836662130	1	OIL PRESSURE CONTROL VALVE
17	V836659521	1	VALVE SEAT
18	V836667650	1	SPRING ASSEMBLY
19	V836322190	1	GASKET [A]
20	V836659524	1	COVER
21	V528801380	2	HEX CAP SCREW [A] INCLUDED IN KIT V837062644



Item	Part Number	Qty	Description Comments
1	V836359603	1	CENTRIFUGAL OIL FILTER
2	V836362228	1	FILTER
3	V836362229	1	FILTER SEAL
4	V836664226	1	O-RING
5	V500951000	4	SPRING WASHER
6	V528801810	4	HEX CAP SCREW
7	V614903430	4	O-RING [A]
8	V641830008	1	STRAIGHT FITTING
9	V837067970	1	SPACER
10	V528803042	2	HEX CAP SCREW
11	V615871016	1	SEALING WASHER
12	V836120022	1	UNION
13	V837067968	1	PIPE
14	V837067969	1	ADAPTER BLOCK
15	V581804670	4	HEX SOCKET SCREW
	V581804630	4	HEX SOCKET SCREW
16	V640325039	1	PLUG
17	V615893946	1	SEALING WASHER [A]
18	V837067967	1	PIPE
19	V641016008	1	STRAIGHT FITTING
20	V528802602	1	HEX CAP SCREW
21	V837070381	1	SUPPORT
22	V528801380	1	HEX CAP SCREW
23	V602060610	1	RETAINER CLAMP
24	V504800800	1	NUT
25	V836866958	1	GASKET [A]

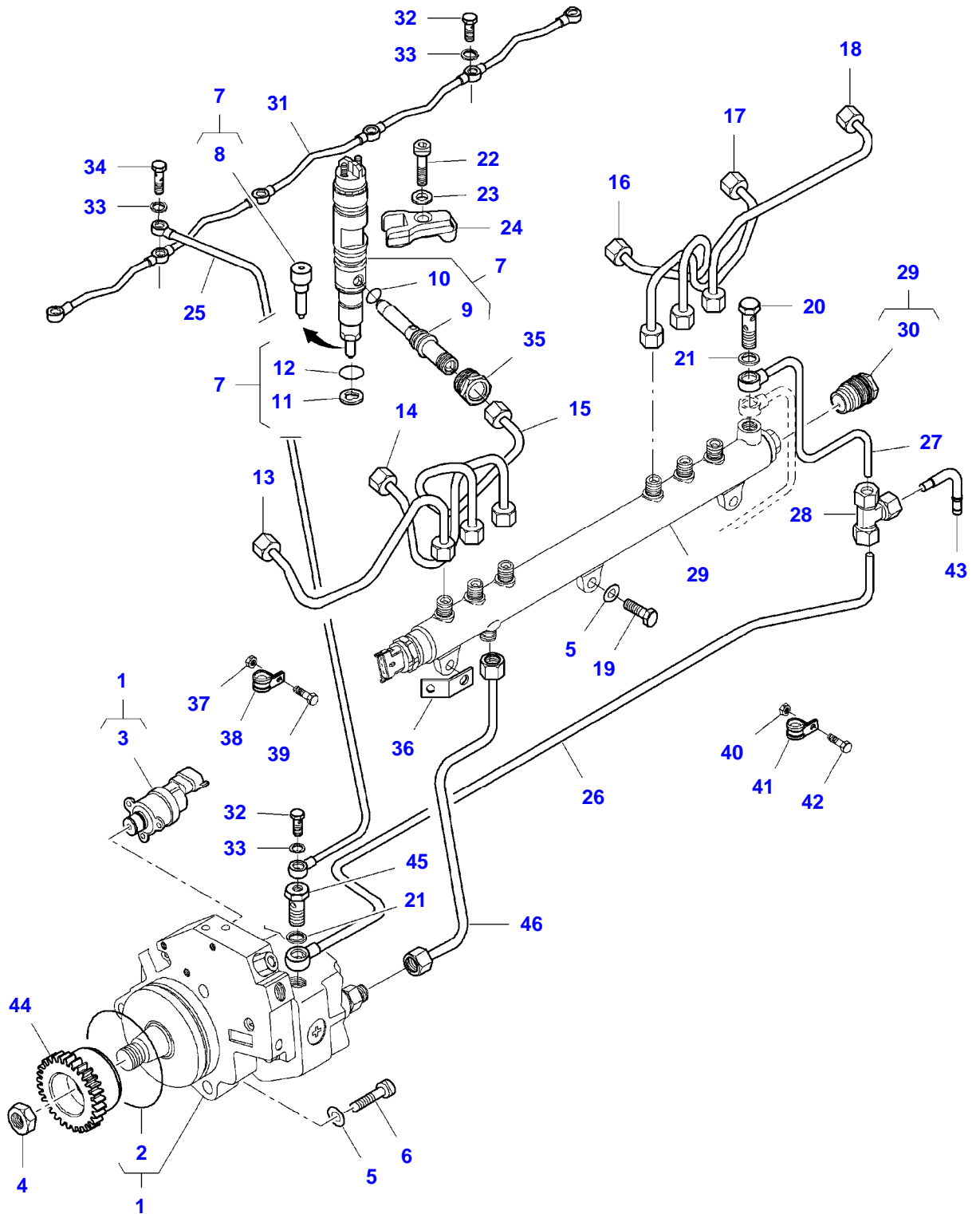
[A] INCLUDED IN KIT V837062644

6270L COMBINE (318210001-999 / 565810001-999)
8017318-F5-1



Item	Part Number	Qty	Description Comments
1	V836864481	1	WATER PUMP
2	V617330052	1	LOCK RING [C]
3	V610063044	2	BALL BEARING [C]
4	V836119270	1	SLEEVE
5	V836847467	1	WATER PUMP SHAFT
6	V614102636	1	SHAFT SEAL [C]
7	V529801420	5	HEX CAP SCREW
8	V836846303	1	WATER PUMP IMPELLER
9	V835339425	1	GASKET [C]
10	V836864472	1	WATER PUMP BACKPLATE
11	V836864471	1	GASKET [C][E]
12	V836840101	1	WATER PUMP REPAIR KIT
13	V836866742	1	GASKET [C][E]
14	V529801460	3	HEX CAP SCREW
15	V529801440	2	HEX CAP SCREW
16	V640325018	2	PLUG
17	V615881822	3	SEALING WASHER [E]
18	V836867903	1	WATER PUMP MULTI-RIBBED PULLEY
19	V510611602	2	NUT
20	V836119837	1	HOSE COUPLER
21	V529801550	2	HEX CAP SCREW
22	V529801450	1	HEX CAP SCREW
23	V500950800	4	SPRING WASHER
24	V836329631	1	COVER
25	V836329632	1	GASKET [D]
26	V836331590	1	THERMOSTAT [A]
27	V836015156	1	THERMOSTAT [B]
28	V836646393	1	GASKET [D]
29	V836847888	1	THERM. HOUSING
30	V614602950	1	O-RING [C][D]
31	V836855150	1	WATER PIPE
32	V640325014	1	PLUG
33	V615881418	1	SEALING WASHER
			[A] OPENS AT 83 DEGREES
			[B] OPENS AT 79 DEGREES
			[C] INCLUDED IN REPAIR KIT V836840101
			[D] INCLUDED IN KIT V837062646
			[E] INCLUDED IN KIT V837062644

6270L COMBINE (318210001-999 / 565810001-999)
8017320-F5-1



FUEL INJECTION SYSTEM

Item	Part Number	Qty	Description Comments	Technical Specification
1	V837069146	1	HIGH PRESSURE INJECTION PUMP	CP3.3
2	V837069147	1	O-RING [A]	
3	V837071191	1	VALVE	
4	V504611802	1	NUT	
5	V500950800	6	SPRING WASHER	
6	V581804650	3	HEX SOCKET SCREW	
7	V837062629	6	INJECTOR	
8	V837069408	1	NOZZLE	
9	NS	1	NON-SERVICEABLE PART	
10	V837069314	1	O-RING [A]	
11	V837069032	1	SEALING RING [A]	
12	V837069313	1	O-RING [A]	
13	V837070077	1	INJECTION PIPE CYL. No 1	
14	V837070078	1	INJECTION PIPE CYL. No 2	
15	V837070079	1	INJECTION PIPE CYL. No 3	
16	V837070080	1	INJECTION PIPE CYL. No 4	
17	V837070081	1	INJECTION PIPE CYL. No 5	
18	V837070082	1	INJECTION PIPE CYL. No 6	
19	V528801380	3	HEX CAP SCREW	
20	V640425008	1	DUAL BANJO BOLT	
21	V615881216	5	SEALING WASHER [A]	
22	V581704660	6	HEX SOCKET SCREW	
23	V837070121	6	WASHER	
24	V837069007	6	FASTENER	
25	V837070273	1	FUEL PIPE	
26	V837070257	1	FUEL PIPE	
27	V837070254	1	FUEL PIPE	
28	V641436008	1	TEE FITTING	
29	V837069050	1	RAIL PIPE	
30	V837069409	1	FUEL PRESSURE VALVE	
31	V837069027	1	INJECTOR OVERFLOW PIPE	
32	V837073117	6	BANJO BOLT	
33	V615870812	14	SEALING WASHER [A]	
34	V837073118	1	DUAL BANJO BOLT	
35	V837069268	6	NUT	
36	V837070327	1	SUPPORT	
37	V504600502	1	NUT	
38	V602070605	1	RETAINER CLAMP	
39	V528800782	1	HEX CAP SCREW	
40	V504600602	3	NUT	
41	V602074608	5	RETAINER CLAMP	
42	V528801082	3	HEX CAP SCREW	
43	V835331961	1	PIPE	
44	V837070087	1	GEAR,INJ.PUMP	
45	V837070314	1	BANJO BOLT	
46	V837070246	1	FUEL PIPE	

[A] INCLUDED IN KIT V837062646

Thank you so much for reading.
Please click the “Buy Now!”
button below to download the
complete manual.



After you pay.

You can download the most
perfect and complete manual in
the world immediately.

Our support email:

ebooklibonline@outlook.com