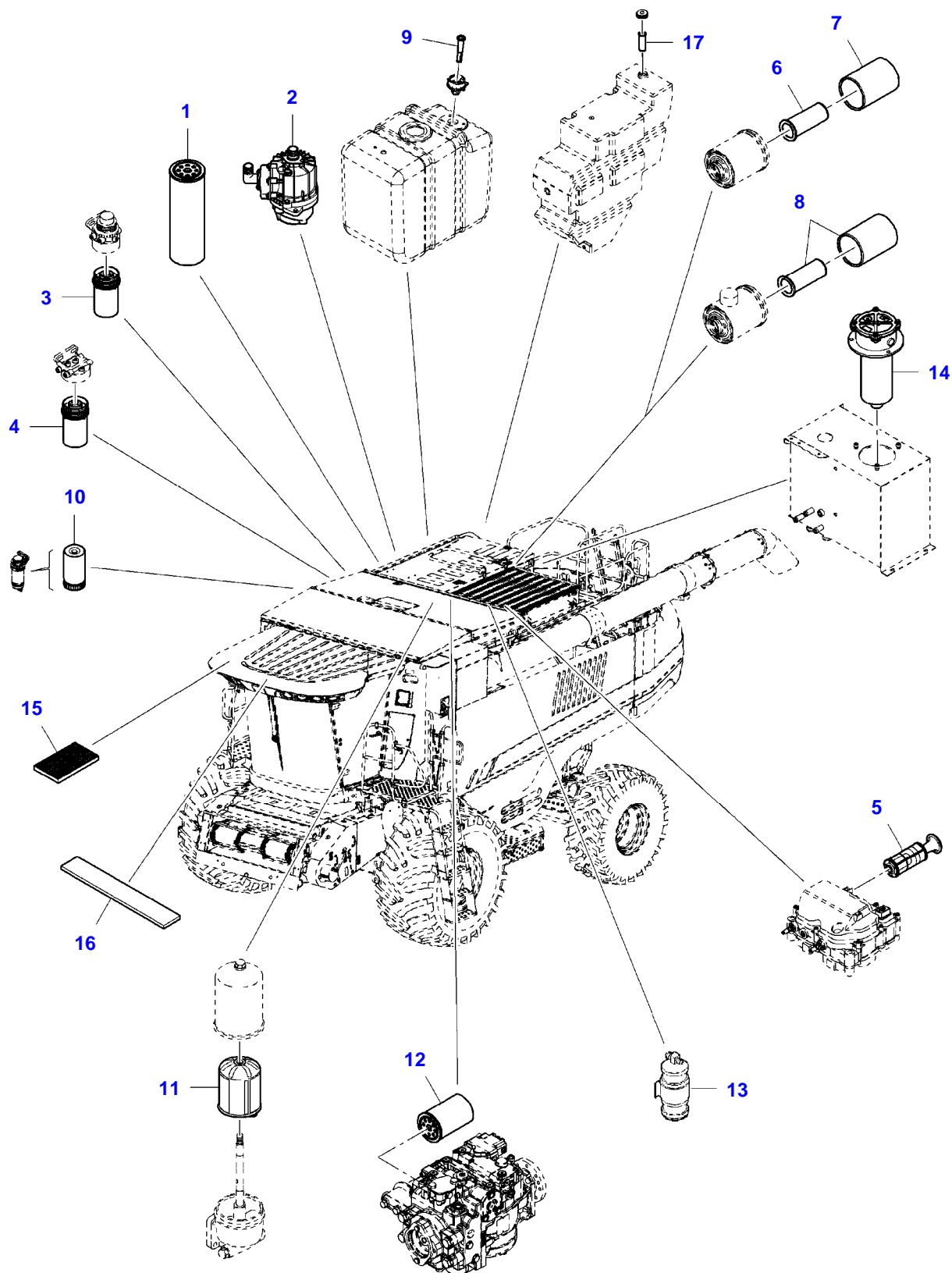


(62276-63999) COMBINE

TABLE OF CONTENT

Page00-TOC

Page Number	Page Title	Page Reference
01-000-TOC	ENGINE, FUEL AND EXHAUST SYSTEM	01-000-TOC
02-000-TOC	DRIVE SYSTEM	02-000-TOC
03-000-TOC	AXLES	03-000-TOC
04-000-TOC	FRAME AND SUSPENSION	04-000-TOC
05-000-TOC	STEERING SYSTEM	05-000-TOC
06-000-TOC	DRIVE TRAIN SYSTEM	06-000-TOC
07-000-TOC	BRAKE SYSTEM	07-000-TOC
08-000-TOC	HYDRAULIC SYSTEM	08-000-TOC
09-000-TOC	ELECTRICAL SYSTEM	09-000-TOC
10-000-TOC	CAB	10-000-TOC
11-000-TOC	AIR CONDITIONING AND HEATING SYSTEM	11-000-TOC
12-000-TOC	CHASSIS	12-000-TOC
13-000-TOC	DECALS	13-000-TOC
14-000-TOC	WHEELS	14-000-TOC
15-000-TOC	FEEDING SYSTEM	15-000-TOC
16-000-TOC	THRESHING SYSTEM	16-000-TOC
17-000-TOC	CLEANING SYSTEM	17-000-TOC
18-000-TOC	GRAIN BIN AND ELEVATOR SYSTEM	18-000-TOC
19-000-TOC	DISCHARGE SYSTEM	19-000-TOC
20-000-TOC	PRECISION FARMING SYSTEMS	20-000-TOC
21-000-TOC	ATTACHMENTS	21-000-TOC
22-000-TOC	ACCESSORIES	22-000-TOC
23-000-TOC	GENERAL INFORMATION	23-000-TOC



FILTERS

Item	Part Number	Qty	Description Comments
1	V836362567	1	ENGINE OIL FILTER SEE PAGE 01-0039 SEE PAGE 01-0040
2	V837073734	1	CCV FILTER FROM ENGINE S/N X29718 SEE PAGE 01-0043
3	V836867591	1	FUEL ELEMENT UP TO ENGINE S/N X29717 SEE PAGE 01-0048 SEE PAGE 01-0049 SEE PAGE 01-0050
	V837079555	1	FUEL FILTER FROM ENGINE S/N X29718 SEE PAGE 01-0051
4	V836867595	1	FUEL ELEMENT UP TO ENGINE S/N X29717 SEE PAGE 01-0048 SEE PAGE 01-0049 SEE PAGE 01-0050
	V837079556	1	FUEL FILTER FROM ENGINE S/N 29718 SEE PAGE 01-0051
5	V837079423	1	DEF FILTER FROM ENGINE S/N X29718 SEE PAGE 01-0063
6	D46483900	1	ELEMENT,AIR FILTER UP TO MACHINE S/N 580000025 - 8370 580400003 - 8370AL 581000013 - 8400 581400006 - 8400AL
7	D46483800	1	ELEMENT,AIR FILTER UP TO MACHINE S/N 580000025 - 8370 580400003 - 8370AL 581000013 - 8400 581400006 - 8400AL
8	6248328M91	1	KIT, ELEMENT FROM MACHINE S/N 580000026 - 8370 580400004 - 8370AL 581000014 - 8400 581400007 - 8400AL
9	71443169	1	DEF FILLER NECK FILTER SEE PAGE 01-0087
10	D46443000	1	FUEL ELEMENT SEE PAGE 01-0088
11	V836362228	1	FILTER UP TO ENGINE S/N X29717 SEE PAGE 01-0041 SEE PAGE 01-0042
12	D45161300	1	OIL FILTER SEE PAGE 02-0005 SEE PAGE 02-0006 SEE PAGE 02-0007 SEE PAGE 02-0008
13	D45070017	1	AIR CONDITIONING RECEIVER DRIER SEE PAGE 11-0003

Fendt

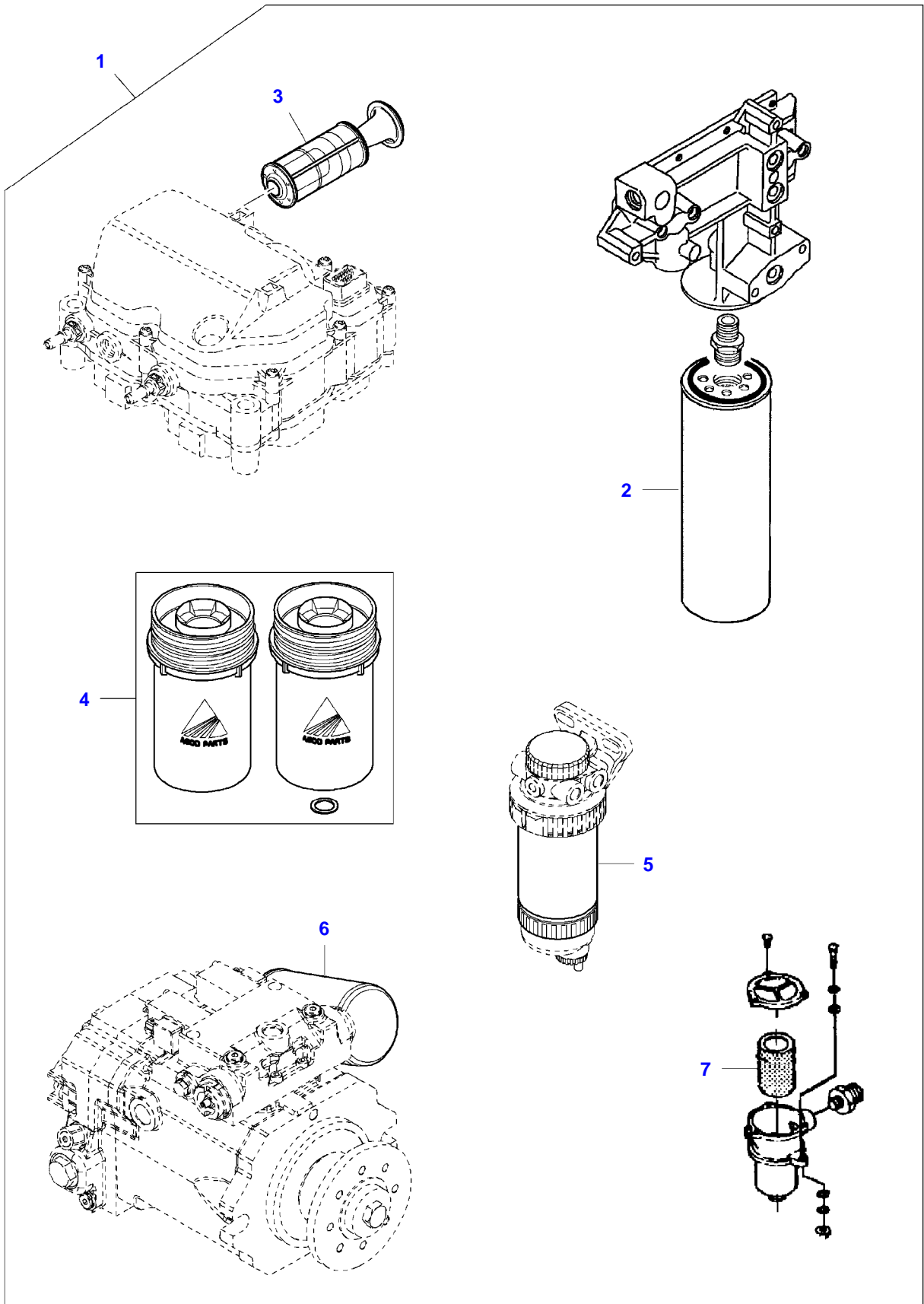
8370P (580000001-999 / 580400001-999 AL) / 8400P (581000001-999 / 581400001-999 AL)
(62276-63999) COMBINE

3906262

FILTERS

Page01-0001

Item	Part Number	Qty	Description Comments
14	D45165800	1	RETURN FILTER SEE PAGE 08-0001
15	D28980100	1	CAB FILTER SEE PAGE 10-0015
16	D28980849	1	CAB FILTER SEE PAGE 10-0015
17	D46403500	1	FUEL FILTER SEE PAGE 01-0088



Fendt

8370P (580000001-999 / 580400001-999 AL) / 8400P (581000001-999 / 581400001-999 AL)
(62276-63999) COMBINE

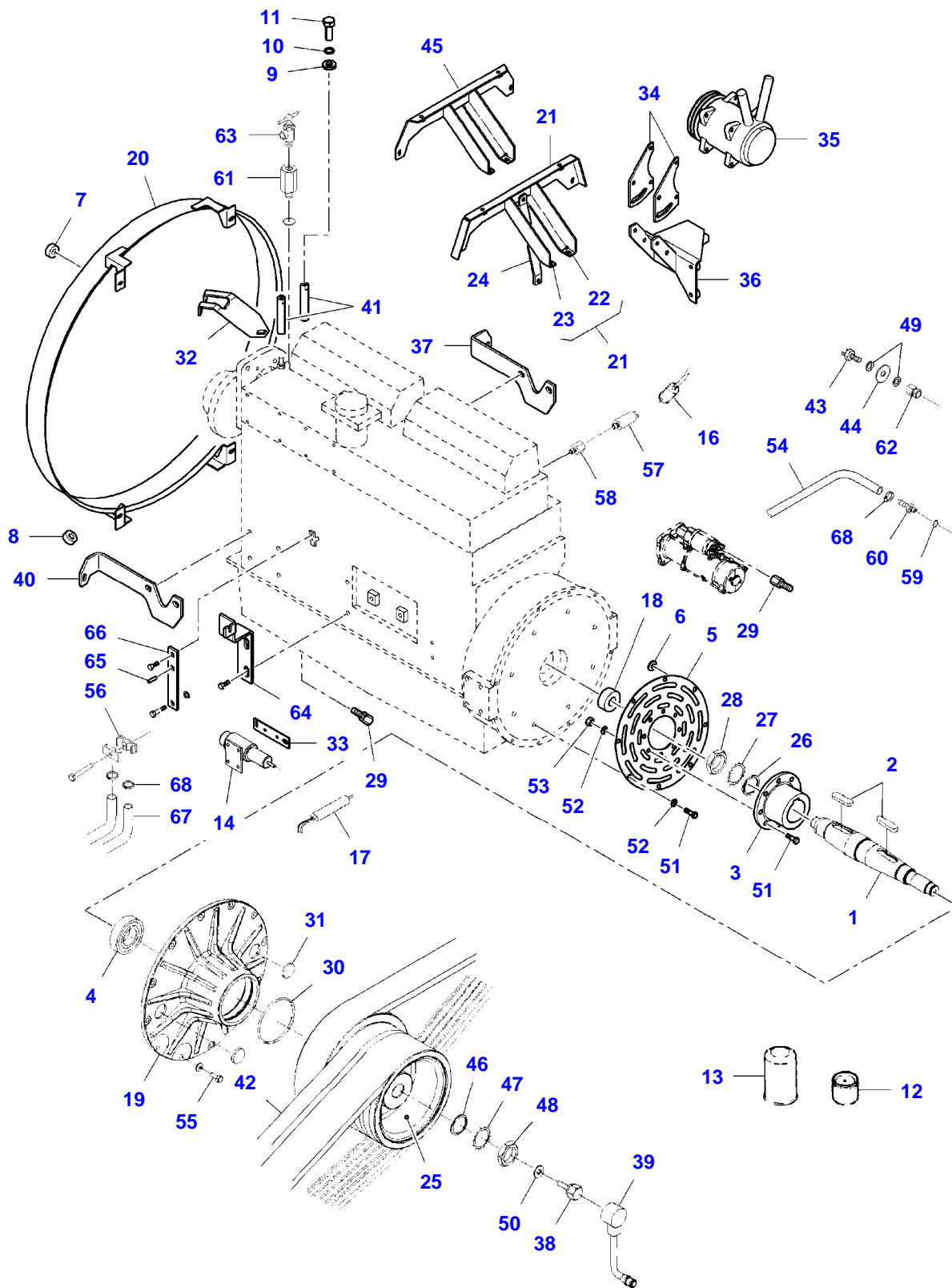
3906262

FILTERS

Page01-0002

Item	Part Number	Qty	Description Comments
			UP TO MACHINE S/N 580000025 - 8370 580400003 - 8370AL 581000013 - 8400 581400006 - 8400AL
1	LA391600165	1	KIT, FILTER
2	V836379588	1	ENGINE OIL FILTER
3	V837079423	1	DEF FILTER
4	V837079718	1	FUEL FILTER KIT
5	V836862563	1	FUEL ELEMENT
6	D45161301	1	OIL FILTER
7	D45165900	1	OIL FILTER

8370P (580000001-999 / 580400001-999 AL) / 8400P (581000001-999 / 581400001-999 AL)
(62276-63999) COMBINE
8029787-F5-1



(62276-63999) COMBINE

ENGINE INSTALLATION

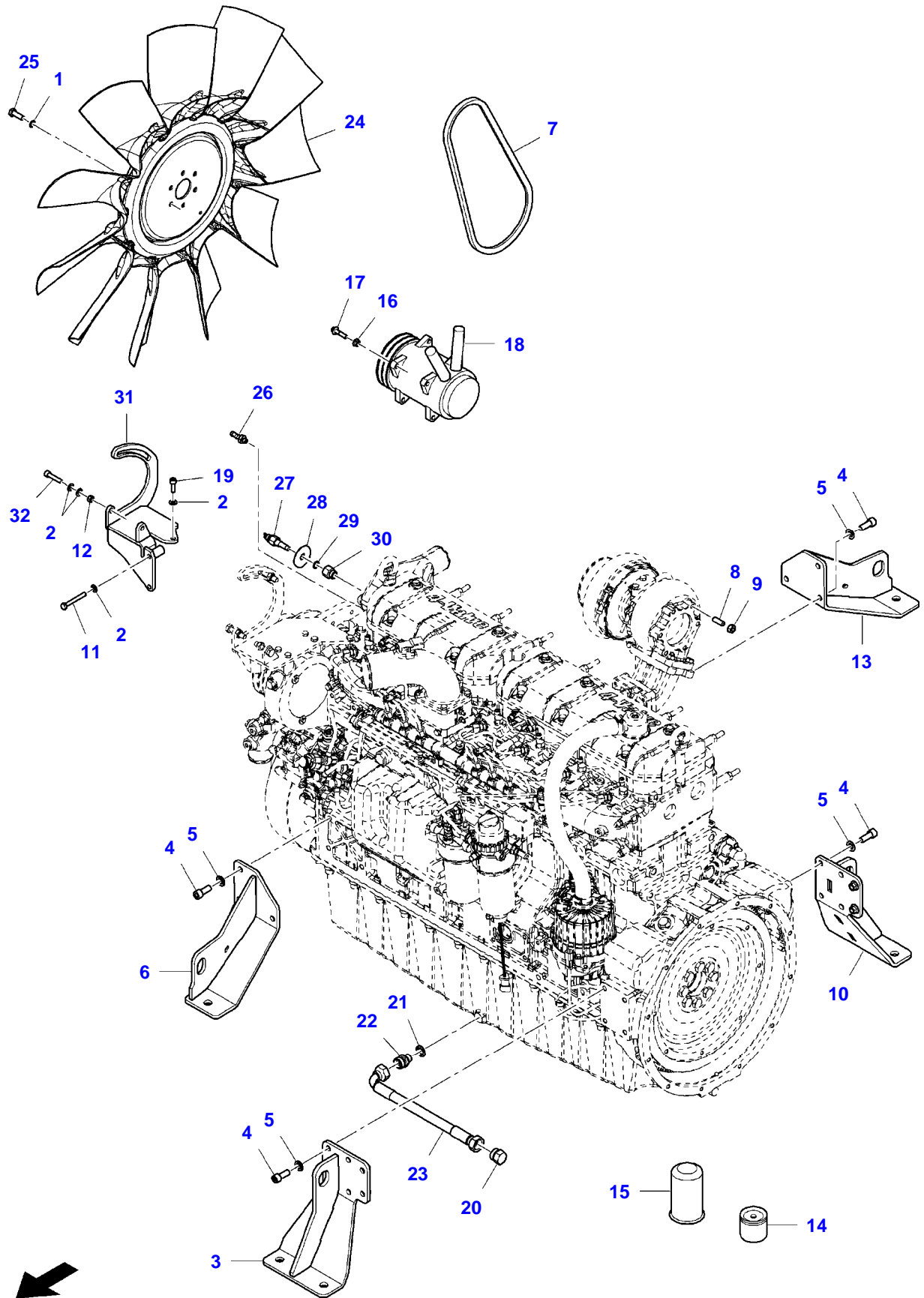
Item	Part Number	Qty	Description Comments	Technical Specification
			UP TO MACHINE S/N 580000025 - 8370 580400003 - 8370AL 581000013 - 8400 581400006 - 8400AL	
1	D28783912	1	SHAFT [A]	
2	D43110600	1	KEY	11 X 18 X 70 MM
3	D28780615	1	HUB	
4	D41629601	1	BALL BEARING	
5	D28788738	1	PLATE	
6	D28782948	X	FLAT WASHER	?13-24 X 2,5 MM
7	D46482001	2	DAMPER	
8	D46482000	2	DAMPER	
9	D20400506	2	FLAT WASHER	?8,5-20 X 2,5 MM ZN
10	D41102100	2	SPRING WASHER	M8
11	D40404900	2	HEXAGONAL HEAD BOLT	M8 X 20 ISO 8.8 ZN
12	1896287M91	1	FUEL ELEMENT	
13	D46447400	1	OIL FILTER	
14	D46440048	1	STOP SOLENOID	
15	D46440047	1	RELAY [C][D]	
16	D28780881	1	CAP	
17	V836659691	1	RELAY	
18	D28780805	1	BUSH	
19	D28780061	1	BEARING CARRIER	
20	D28787501	1	FAN SHELL	
21	D28782912	1	BRACKET	
22	D28785239	1	SUPPORT	
23	D28785238	1	BRACKET	
24	D28787471	1	STAY	
25	D28785025	1	PULLEY	
26	D25700260	1	WASHER	
27	D28780617	1	TAB WASHER	
28	D25700322	1	NUT	M50 (1.5) ZN
29	D28761073	3	THREADED PART	
30	D45470800	1	O RING	
31	D45746700	2	PLUG	
32	D28788591	1	PLATE	
33	D28788542	1	PLATE	
34	D28785046	2	BRACKET	
35	D45080062	1	COMPRESSOR	
36	D28273854	1	CONSOLE	
37	D28787262	1	BRACKET	
38	D28780516	1	INDUCTIVE SENSOR	
39	D28780514	1	SENSOR	
40	D28787261	1	BRACKET	
41	D28785226	2	EXTENSION	
42	D41978100	1	V BELT	L = 2965 MM
43	D44900617	1	SENSOR	
44	D28780947	1	WASHER	?14-52 X 1,5 MM
45	D28785230	1	BRACKET	
46	D28730018	1	WASHER	?46-75 X 2 MM
47	D28710736	1	LOCK WASHER	
48	D28710073	1	NUT	M45 (1.5)
49	D45201600	2	PACKING	
50	D20400416	1	FLAT WASHER	?10,5-30 X 2,5 MM
51	3009492X1	X	HEXAGONAL HEAD BOLT	M10 X 25 (1.5) ISO 8.8 ZN
52	D41112500	X	SPRING WASHER	?8,2-16 X 0,6 MM
53	339402X1	8	HEX NUT	M10 (1.5) ISO 8 ZN
54	D28782175	1	FUEL HOSE CUT TO REQUIRED LENGTH	L = 5000 MM
55	3009493X1	12	HEXAGONAL HEAD BOLT	M10 X 30 (1.5) ISO 8.8 ZN

ENGINE INSTALLATION

Item	Part Number	Qty	Description Comments	Technical Specification
56	D45736700	8	SUPPORT	
57	D44900586	1	FLUID PR.SWITCH	
58	D28786520	1	NIPPLE	
59	D45711200	1	GASKET	
60	D28785115	1	CONNECTOR	
61	D28273868	1	REDUCER	
62	D28786662	1	NIPPLE	
63	D28360189	2	TAP	
64	D28786671	1	CLAMP	
65	D28751580	1	STUD BOLT	
66	D28786794	2	LEVER	
67	D28784525	X	HOSE CUT TO REQUIRED LENGTH	L = 5000 MM
68	3000483X1	3	HOSE CLIP	?13-19 MM ZN

[A] ORDER D28782912 + D28787471
[C] NOT ILLUSTRATED
[D] INCLUDED IN ITEM 14

8370P (580000001-999 / 580400001-999 AL) / 8400P (581000001-999 / 581400001-999 AL)
(62276-63999) COMBINE
8029983-F5-1

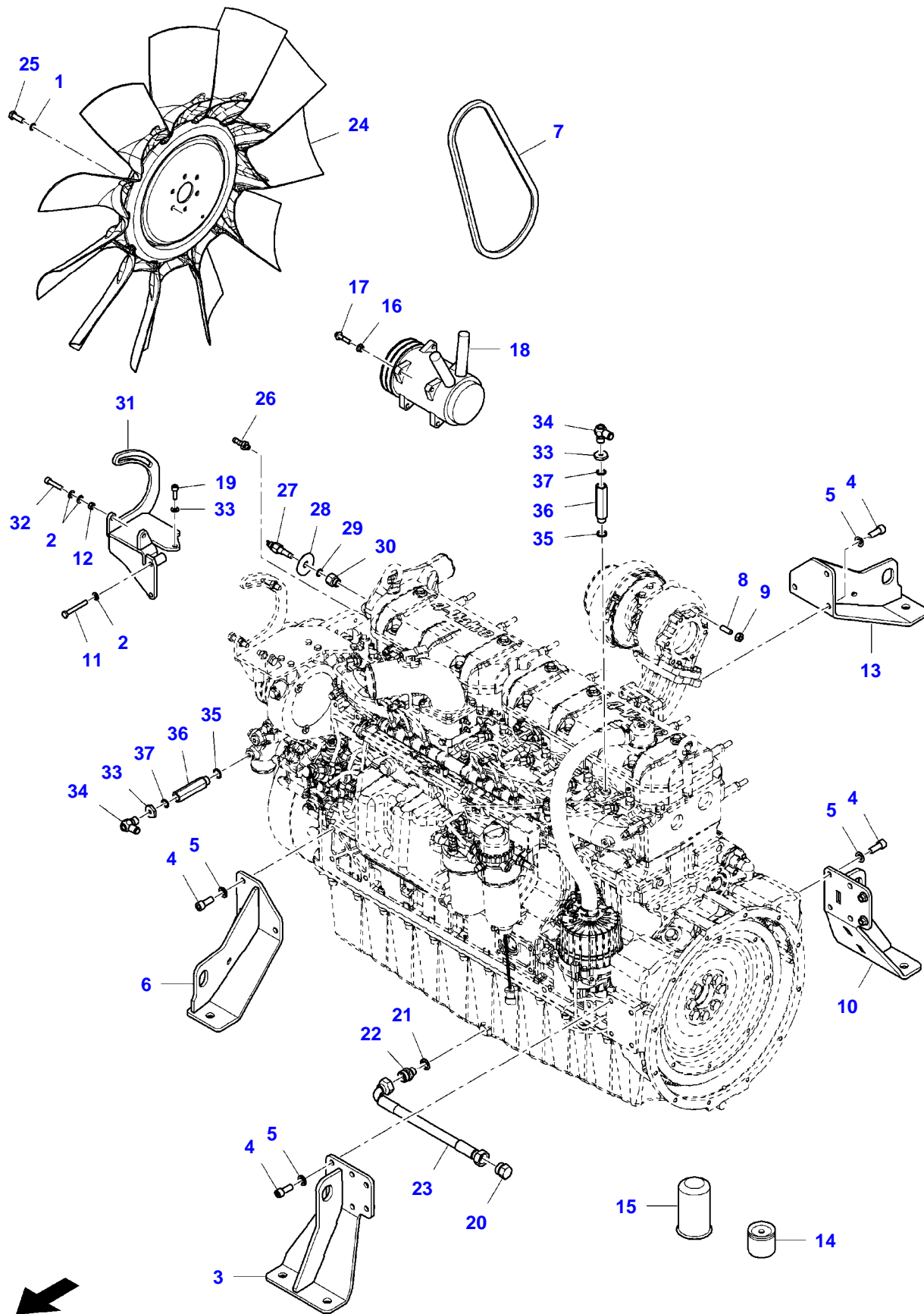


8029983-F5-1

(62276-63999) COMBINE

ENGINE INSTALLATION

Item	Part Number	Qty	Description Comments	Technical Specification
			FROM MACHINE S/N 580000026 - 8370 581400007 - 8400AL UP TO MACHINE S/N 580010035 - 8370 581400008 - 8400AL	
1	LA321806450	1	FILLER	
2	390972X1	4	FLAT WASHER	M8 ZN
3	6247421M91	1	SUPPORT	
4	1442210X1	10	HEX SOCKET HEAD CAPSCREW	M12 X 30 (1.75) ISO 8.8 ZN
5	390735X1	10	FLAT WASHER	M12 ZN
6	6247416M91	1	SUPPORT	
7	LA340433138	1	BELT	L = 1257 MM
8	3014493X1	6	SAFETY WASHER	M10
9	D45080062	1	COMPRESSOR	
10	6247420M91	1	SUPPORT	
11	339159X1	1	HEXAGONAL HEAD BOLT	M8 X 65 (1.25) ISO 8.8 ZN
12	394367X1	1	HEX NYLON INSERT LOCKNUT	M8 (1.25) ISO 8 ZN
13	6247415M91	1	SUPPORT	
14	1896287M91	1	FUEL ELEMENT	
15	D46447400	1	OIL FILTER	
16	3019124X1	3	HEX FLANGE NUT	M8 (1.25) ISO 10 ZN
17	3009196X1	3	HEXAGON FLANGE BOLT	M8 X 35 (1.25) ISO 10.9 ZN
18	3019564X1	2	HOSE CLIP	?16-25 X 8 MM ZN
19	LA300136355	1	FILLER	
20	LA320479650	1	PLUG	
21	LA355562230	2	SEALING WASHER	?22,5-28,5 X 3 MM
22	LA300128295	1	PIPE UNION	M22 (1.5)
23	6248209M1	1	HYDRAULIC HOSE	L = 3441 MM
24	LA323560250	1	FAN	?800 MM
25	339451X1	6	HEXAGONAL HEAD BOLT	M10 X 30 (1.5) ISO 8.8 ZN
26	391990X1	1	HEX SOCKET HEAD CAPSCREW	M8 X 25 (1.25) ISO 10.9 ZN
27	D44900617	1	SENSOR	
28	D28780947	1	WASHER	?14-52 X 1,5 MM
29	D45201600	1	PACKING	
30	D28786662	1	NIPPLE	
31	6261576M91	1	SUPPORT	
32	391136X1	1	HEX SOCKET HEAD CAPSCREW	M8 X 40 (1.25) ISO 8.8 ZN

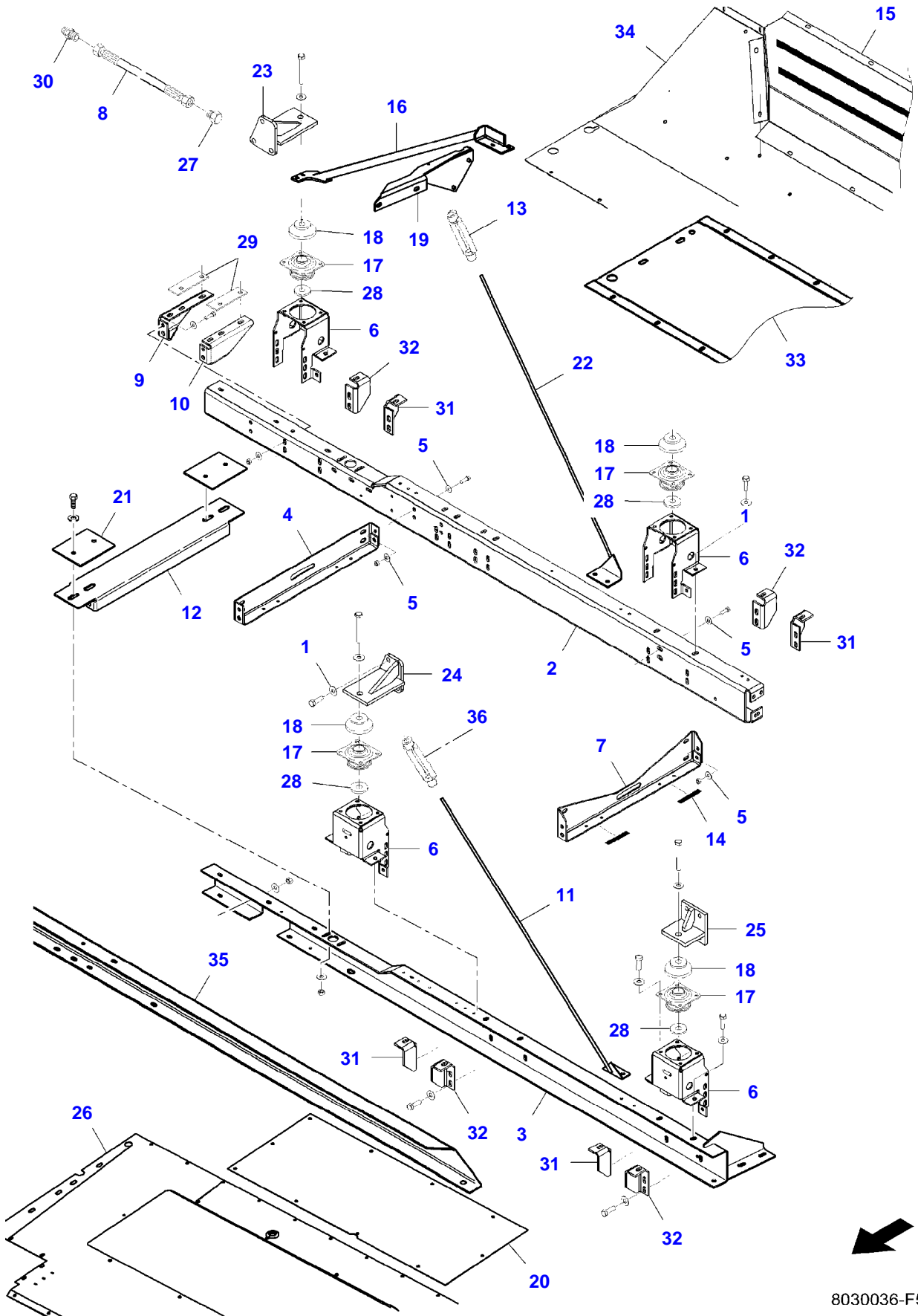


(62276-63999) COMBINE

ENGINE INSTALLATION

Item	Part Number	Qty	Description Comments	Technical Specification
			FROM MACHINE S/N 580010036 - 8370 580400004 - 8370AL 581000014 - 8400 581400009 - 8400AL	
1	LA321806450	1	FILLER	
2	390972X1	4	FLAT WASHER	M8 ZN
3	6247421M91	1	SUPPORT	
4	1442210X1	10	HEX SOCKET HEAD CAPSCREW	M12 X 30 (1.75) ISO 8.8 ZN
5	390735X1	10	FLAT WASHER	M12 ZN
6	6247416M91	1	SUPPORT	
7	LA340433138	1	BELT	L = 1257 MM
8	3014493X1	6	SAFETY WASHER	M10
9	D45080062	1	COMPRESSOR	
10	6247420M91	1	SUPPORT	
11	339159X1	1	HEXAGONAL HEAD BOLT	M8 X 65 (1.25) ISO 8.8 ZN
12	394367X1	1	HEX NYLON INSERT LOCKNUT	M8 (1.25) ISO 8 ZN
13	6247415M91	1	SUPPORT	
14	1896287M91	1	FUEL ELEMENT	
15	D46447400	1	OIL FILTER	
16	3019124X1	3	HEX FLANGE NUT	M8 (1.25) ISO 10 ZN
17	3009196X1	3	HEXAGON FLANGE BOLT	M8 X 35 (1.25) ISO 10.9 ZN
18	3019564X1	2	HOSE CLIP	?16-25 X 8 MM ZN
19	LA300136355	1	FILLER	
20	LA320479650	1	PLUG	
21	LA355562230	2	SEALING WASHER	?22,5-28,5 X 3 MM
22	LA300128295	1	PIPE UNION	M22 (1.5)
23	6248209M1	1	HYDRAULIC HOSE	L = 3441 MM
24	LA323560250	1	FAN	?800 MM
25	339451X1	6	HEXAGONAL HEAD BOLT	M10 X 30 (1.5) ISO 8.8 ZN
26	391990X1	1	HEX SOCKET HEAD CAPSCREW	M8 X 25 (1.25) ISO 10.9 ZN
27	D44900617	1	SENSOR	
28	D28780947	1	WASHER	?14-52 X 1,5 MM
29	D45201600	1	PACKING	
30	D28786662	1	NIPPLE	
31	6261576M91	1	SUPPORT	
32	391136X1	1	HEX SOCKET HEAD CAPSCREW	M8 X 40 (1.25) ISO 8.8 ZN
33	7058829M1	2	NUT	
34	D28360189	2	TAP	
35	1442936X1	2	SEALING RING	?18-22 X 1,5 MM CU PL
36	D28273868	2	REDUCER	
37	LA14457281	2	O-RING	?2,62 X 15,54 MM

8370P (580000001-999 / 580400001-999 AL) / 8400P (581000001-999 / 581400001-999 AL)
(62276-63999) COMBINE
8030036-F5-1

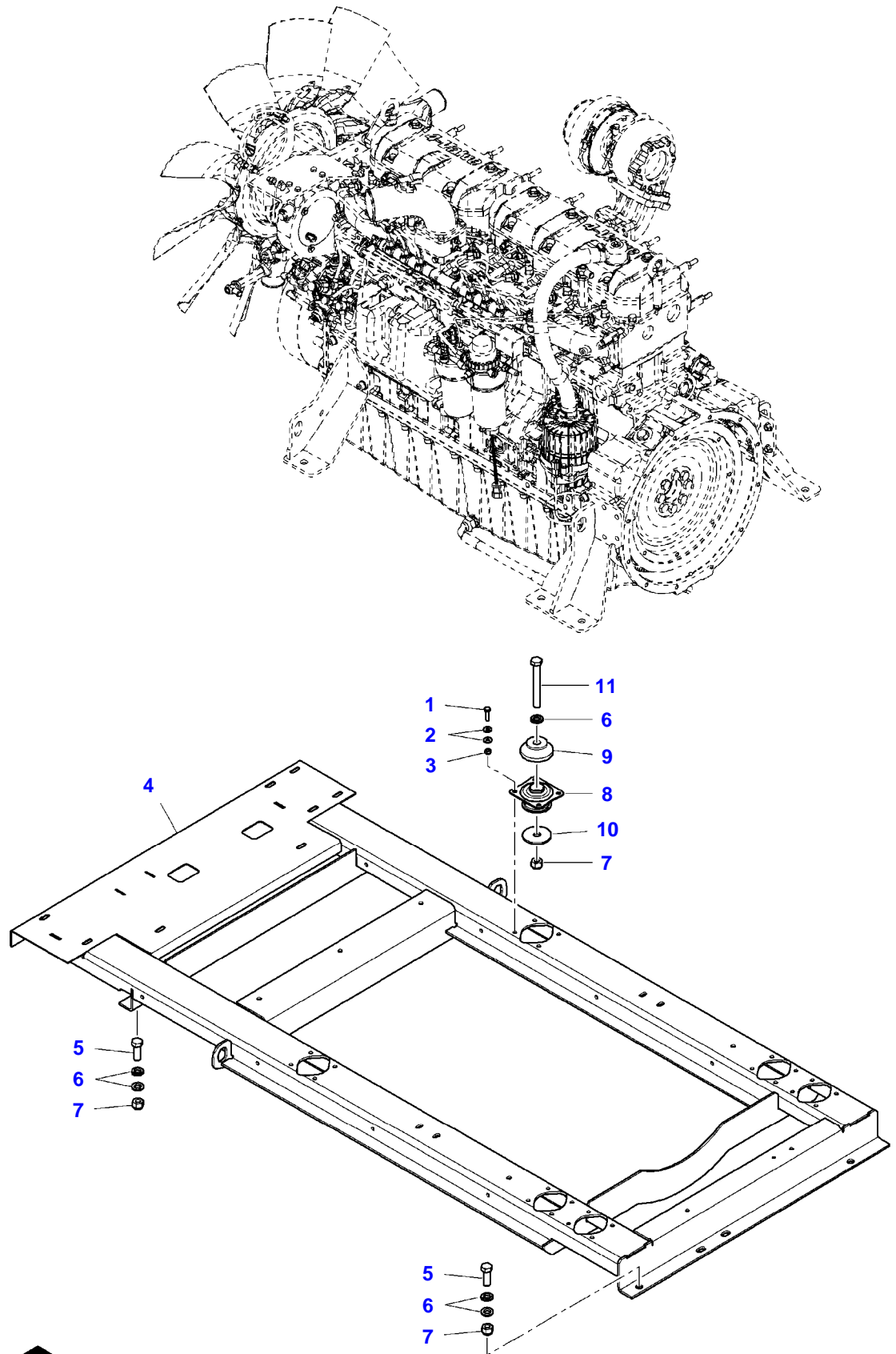


8030036-F5-1

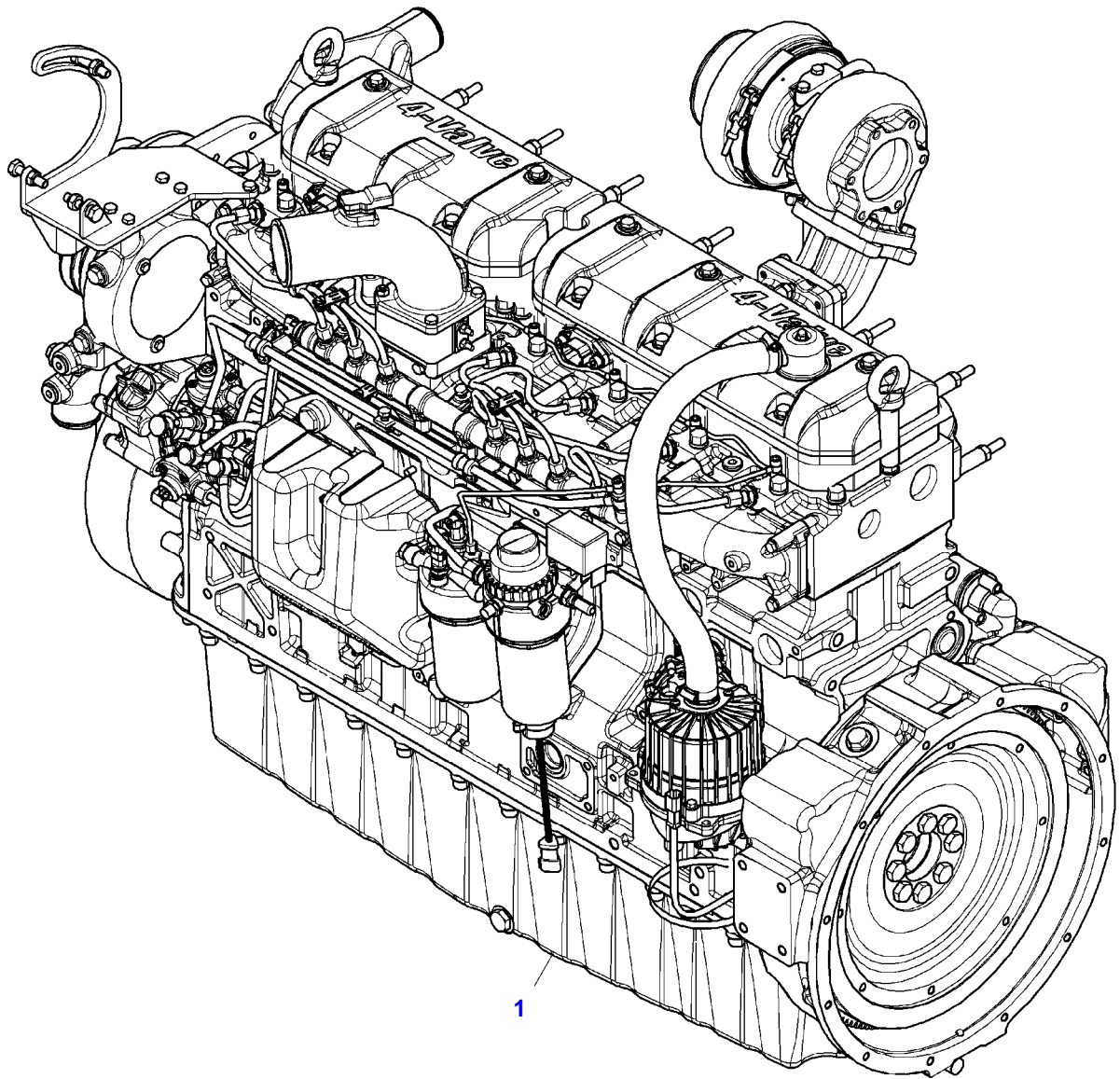
(62276-63999) COMBINE

ENGINE INSTALLATION - ENGINE BRACKET

Item	Part Number	Qty	Description Comments	Technical Specification
			UP TO MACHINE S/N 580000025 - 8370 580400003 - 8370AL 581000013 - 8400 581400006 - 8400AL	
1	D20400426	X	FLAT WASHER	?13-24 X 2,5 MM
2	D28785606	1	RIGHT HAND MEMBER	
3	D28787478	1	LEFT HAND MEMBER	
4	D28784172	1	CROSSMEMBER	
5	D20400473	X	FLAT WASHER	?10,5-28 X 4 MM
6	D28784171	4	SUPPORT	
7	D28785043	1	STAY	
8	D45130033	1	HYDRAULIC HOSE	L = 3050 MM
9	D28784252	1	SUPPORT, RIGHT HAND	
10	D28784253	1	SUPPORT, LEFT HAND	
11	D28273861	1	ROD	
12	D28787270	1	BRACKET	
13	D41035100	1	TENSIONER	
14	D28782178	X	SEAL SECTION	L = 5000 MM
15	D28181837	1	SUPPORT	
16	D28787505	1	TUBE	
17	D46406600	4	DAMPER	
18	D28781296	4	WASHER	
19	D28787504	1	BRACKET	
20	D28887251	1	DOOR	
21	D28788343	2	PLATE	
22	D28273871	1	ROD	
23	D28785210	1	BRACKET	
24	D28785210	1	BRACKET	
25	D28770293	1	SUSPENSION	
26	D28887250	1	ROOF	
27	D28781170	1	PLUG	
28	D28781297	4	SPACER	?18-70 X 6 MM
29	D28781111	2	SHIM	130 X 40 X 4 MM
30	D45251100	1	UNION	
31	D28785166	4	PLATE	
32	D28785167	4	PLATE	
33	D28185279	1	ROOF	
34	D28181850	1	ROOF	
35	D28786491	1	SUPPORT	
36	D41035100	1	TENSIONER	

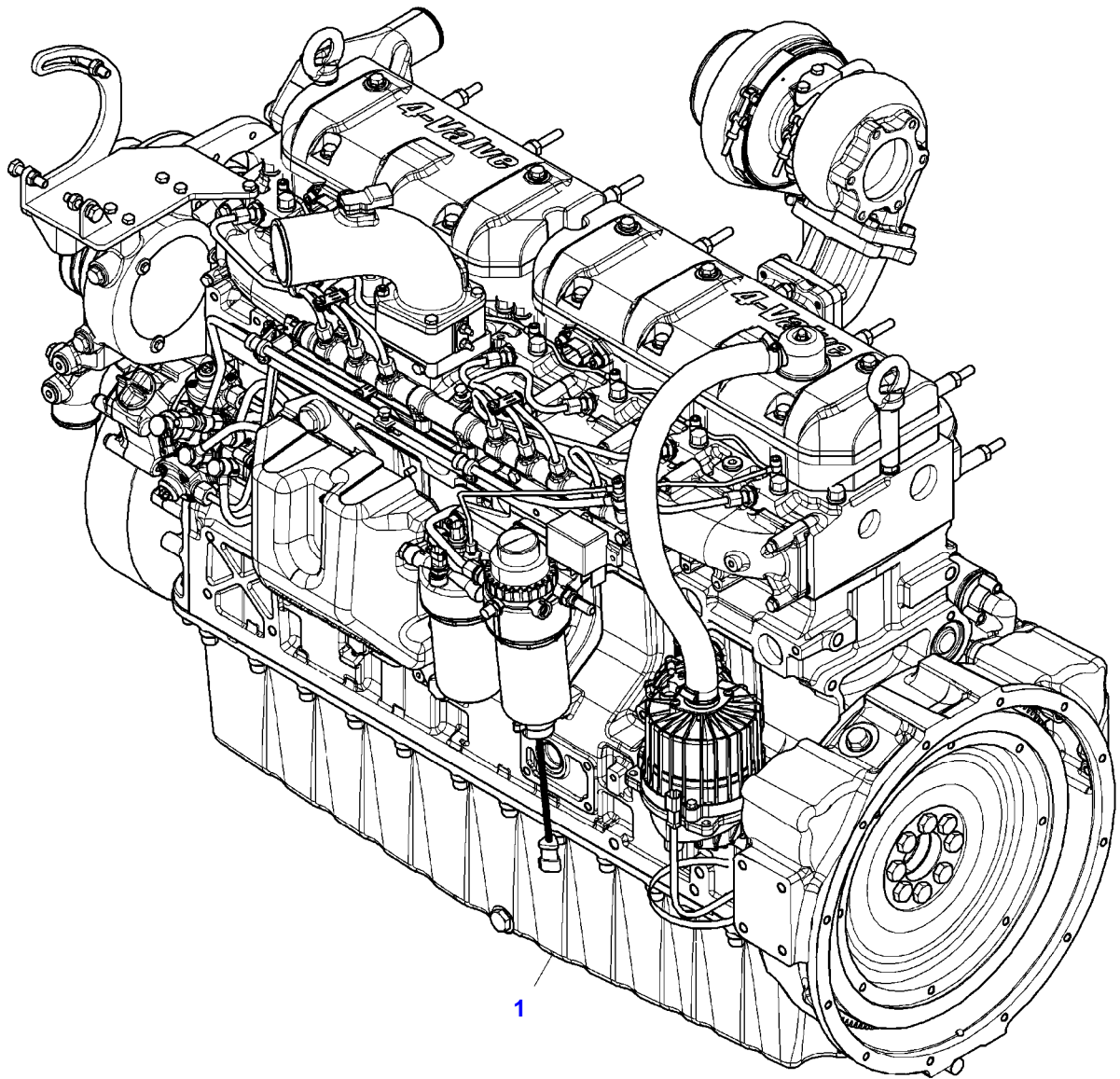


Item	Part Number	Qty	Description Comments	Technical Specification
			FROM MACHINE S/N 580000026 - 8370 580400004 - 8370AL 581000014 - 8400 581400007 - 8400AL	
1	339337X1	24	HEXAGONAL HEAD BOLT	M8 X 30 (1.25) ISO 8.8 ZN
2	339056X1	48	FLAT WASHER	?8,5-20 X 2,5 MM ZN
3	394367X1	24	HEX NYLON INSERT LOCKNUT	M8 (1.25) ISO 8 ZN
4	7061046M91	1	SUPPORT	
5	391284X1	4	HEXAGONAL HEAD BOLT	M16 X 45 (2.0) ISO 8.8 ZN
6	3019575X1	14	FLAT WASHER	?17-30 X 5 MM
7	1442739X1	10	HEX LOCKNUT	M16 (2.0) ISO 8 ZN
8	D46406600	6	DAMPER	
9	D28781296	6	WASHER	
10	D28781297	6	SPACER	?18-70 X 6 MM
11	1442740X1	6	HEXAGONAL HEAD BOLT	M16 X 130 ISO 8.8 ZN



ENGINE ASSEMBLIES

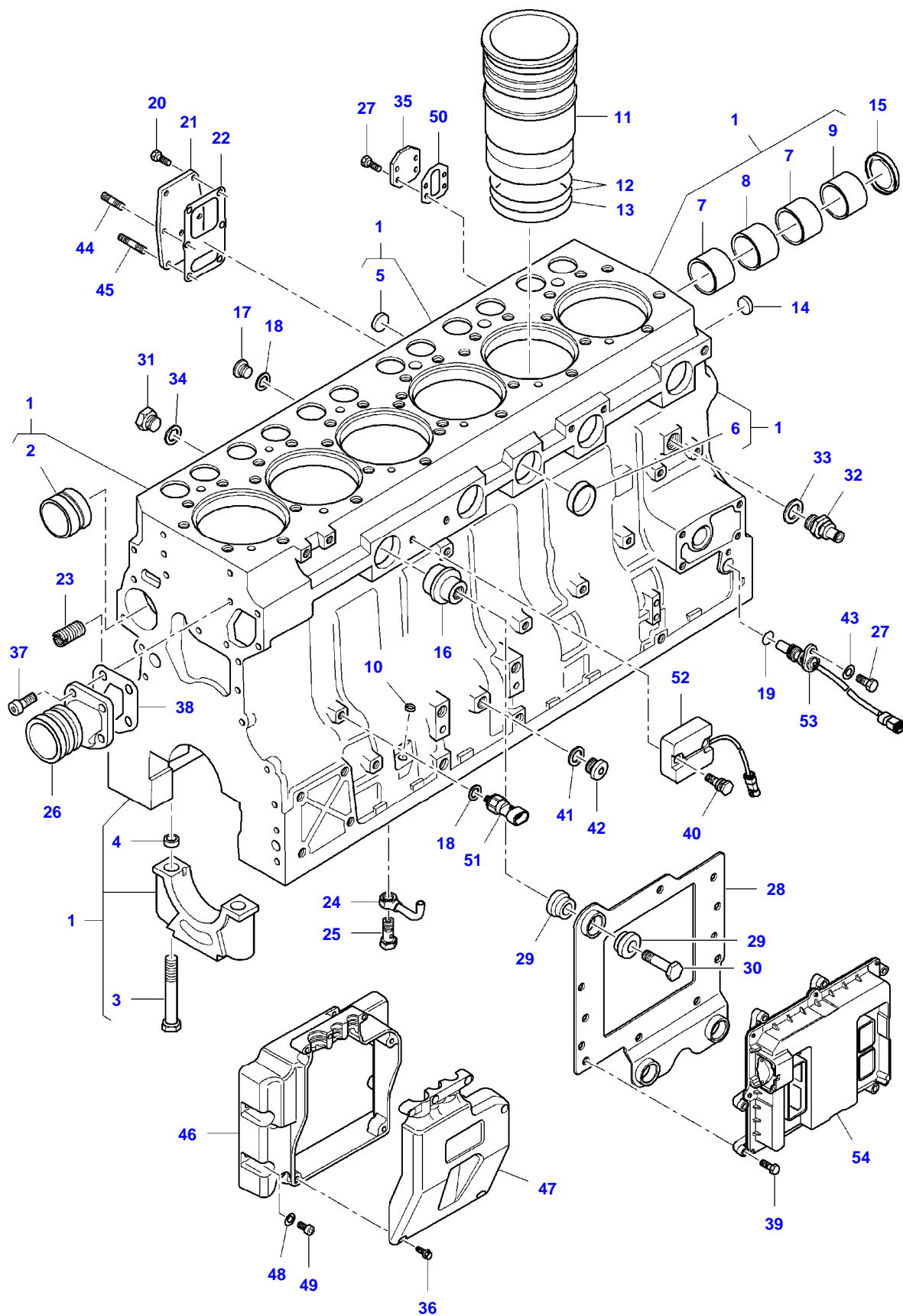
Item	Part Number	Qty	Description Comments	Technical Specification
			UP TO ENGINE S/N X29717	
1	V835276178	1	ENGINE 8370	84 CTA-4V
	V835276179	1	ENGINE 8400	84 CTA-4V
2	V865276178X	1	SHORT BLOCK ENGINE 8370 [A]	84 CTA-4V
	V865276179X	1	SHORT BLOCK ENGINE 8400 [A]	84 CTA-4V
3	V865276178V	1	LONG BLOCK ENGINE 8370 [A]	84 CTA-4V
	V865276179V	1	LONG BLOCK ENGINE 8400 [A] [A] NOT ILLUSTRATED	84 CTA-4V



ENGINE ASSEMBLIES

Item	Part Number	Qty	Description Comments	Technical Specification
			FROM ENGINE S/N X29718	
1	V835276524	1	ENGINE 8370	84 AWI
	V835276747	1	ENGINE 8400	84 AWI
2	V865276524X	1	SHORT BLOCK ENGINE 8370 [A]	84 AWI
	V865276747X	1	SHORT BLOCK ENGINE 8400 [A]	84 AWI
3	V865276524V	1	LONG BLOCK ENGINE 8370 [A]	84 AWI
	V865276747V	1	LONG BLOCK ENGINE 8400 [A] [A] NOT ILLUSTRATED	84 AWI

8370P (580000001-999 / 580400001-999 AL) / 8400P (581000001-999 / 581400001-999 AL)
(62276-63999) COMBINE
19191057-F5-1



(62276-63999) COMBINE

CYLINDER BLOCK

Item	Part Number	Qty	Description Comments
			UP TO ENGINE S/N U19999
1	V836873095	1	CYLINDER BLOCK
2	V836866069	1	CAMSHAFT BEARING BUSH
	V836866036	X	CAMSHAFT BEARING BUSH
3	V835329030	14	HEX CAP SCREW
4	V836214478	24	GUIDE SLEEVE
5	V640016018	1	PLUG
6	V640016040	5	PLUG
7	V836852460	2	CAMSHAFT BEARING BUSH
8	V836852459	1	CAMSHAFT BEARING BUSH
9	V836852461	1	CAMSHAFT BEARING BUSH
10	V640016012	1	PLUG
11	V836867048	6	LINER
	V836867050	X	LINER
12	V836855446	12	CYLINDER LINER O-RING [A]
13	V836855447	6	CYLINDER LINER O-RING [A]
14	V640016016	4	PLUG
15	V836852744	1	PLUG
16	V837069057	1	PLUG
17	V640325110	5	PLUG
18	V615871014	5	SEALING WASHER [A]
19	V614601524	1	O-RING
20	V528801380	5	HEX CAP SCREW
21	V836855678	1	COVER
22	V836322852	1	GASKET [A]
23	V836859153	1	THREADED BUSH
24	V837070021	6	PIPE
25	V836338601	6	PRESSURE VALVE
26	V836855629	1	FLANGE
27	V528801362	5	HEX CAP SCREW
28	V837070147	1	ECU BRACKET
29	V837069052	6	RUBBER BUSH
30	V837069056	3	SCREW
31	V836119079	1	PLUG
32	V836664377	1	COCK
33	V615881824	1	SEALING WASHER [A]
34	V615881620	1	SEALING WASHER [A]
35	V836866957	1	COVER
36	V590253388	6	SCREW
37	V581804600	4	HEX SOCKET SCREW
38	V836855554	1	GASKET [A]
39	V529801102	8	HEX CAP SCREW
40	V837070197	2	SCREW
41	V615881420	1	SEALING WASHER [A]
42	V640325014	1	PLUG
43	V500050840	1	FLAT WASHER
44	V546801360	1	STUD BOLT
45	V546801400	1	STUD BOLT
46	V837070285	1	COVER
47	V837070286	1	COVER
48	V500150642	5	WASHER
49	V581804182	5	HEX SOCKET SCREW
50	V836866958	1	GASKET [A]

Fendt

8370P (580000001-999 / 580400001-999 AL) / 8400P (581000001-999 / 581400001-999 AL)
(62276-63999) COMBINE

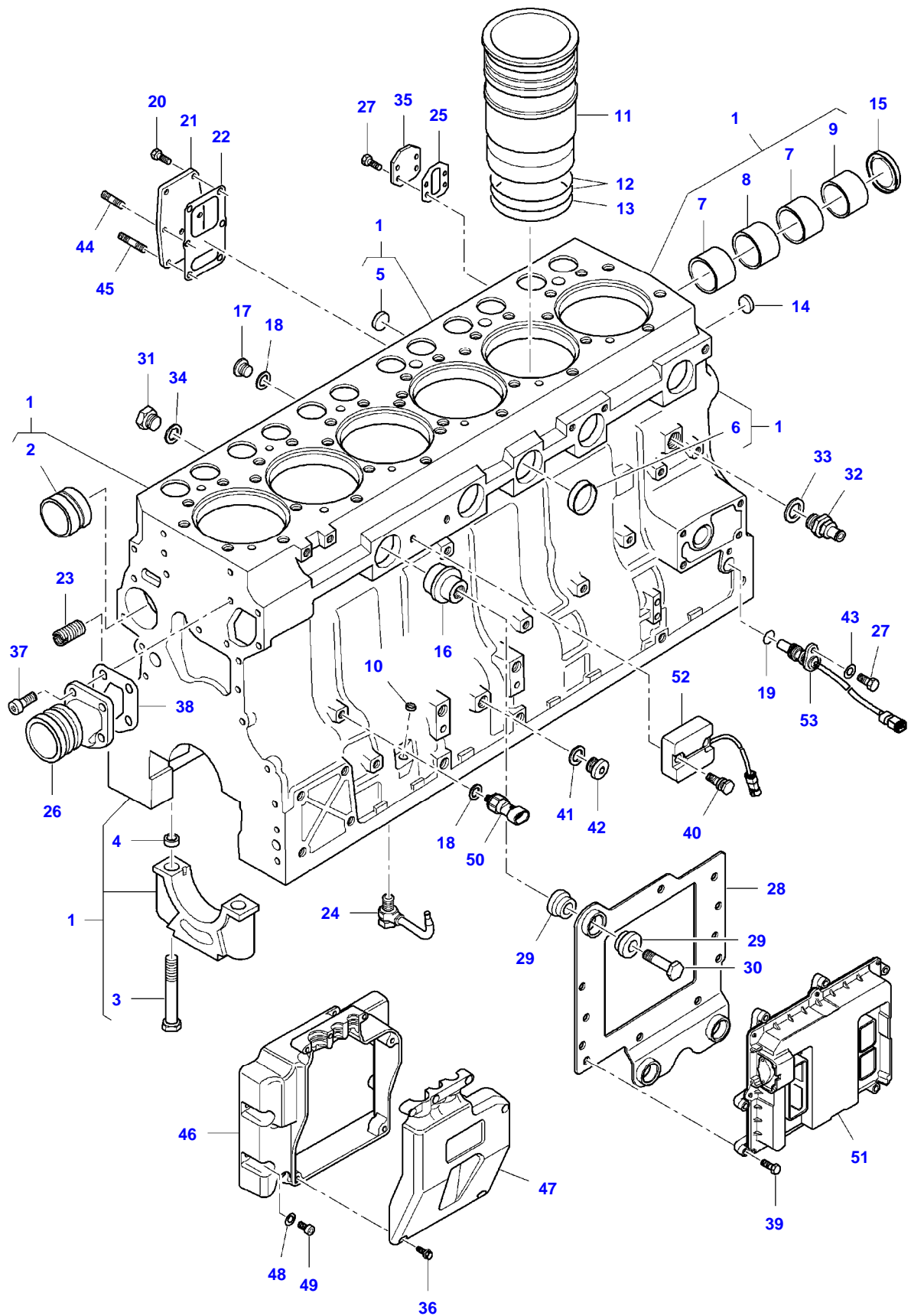
3906262

CYLINDER BLOCK

Page01-0010

Item	Part Number	Qty	Description Comments
51		X	SENSOR SEE PAGE 01-0053
52		X	MODULE SEE PAGE 01-0053
53		X	SPEED SENSOR SEE PAGE 01-0053
54		X	CONTROL UNIT SEE PAGE 01-0053 [A] INCLUDED IN KIT V837062628

8370P (580000001-999 / 580400001-999 AL) / 8400P (581000001-999 / 581400001-999 AL)
(62276-63999) COMBINE
8020544-F5-1



8020544-F5-1

(62276-63999) COMBINE

CYLINDER BLOCK

Item	Part Number	Qty	Description Comments
			FROM ENGINE S/N U20000 UP TO ENGINE S/N X29717
1	V836873095	1	CYLINDER BLOCK
2	V836866069	1	CAMSHAFT BEARING BUSH
	V836866036	X	CAMSHAFT BEARING BUSH
3	V835329030	14	HEX CAP SCREW
4	V836214478	24	GUIDE SLEEVE
5	V640016018	1	PLUG
6	V640016040	5	PLUG
7	V836852460	2	CAMSHAFT BEARING BUSH
8	V836852459	1	CAMSHAFT BEARING BUSH
9	V836852461	1	CAMSHAFT BEARING BUSH
10	V640016012	1	PLUG
11	V836867048	6	LINER
	V836867050	X	LINER
12	V836855446	12	CYLINDER LINER O-RING [A]
13	V836855447	6	CYLINDER LINER O-RING [A]
14	V640016016	4	PLUG
15	V836852744	1	PLUG
16	V837069057	1	PLUG
17	V640325110	5	PLUG
18	V615871014	5	SEALING WASHER [A]
19	V614601524	1	O-RING
20	V528801380	5	HEX CAP SCREW
21	V836855678	1	COVER
22	V836322852	1	GASKET [A]
23	V836859153	1	THREADED BUSH
24	V837074224	6	PISTON COOLING JET R / R. OLD NOT INTERCHANGEABLE WITH NEW V837070021
25	V836866958	1	GASKET [A]
26	V836855629	1	FLANGE
27	V528801362	5	HEX CAP SCREW
28	V837070147	1	ECU BRACKET
29	V837074327	6	RUBBER BUSH
30	V837069056	3	SCREW
31	V836119079	1	PLUG
32	V836664377	1	COCK
33	V615881824	1	SEALING WASHER [A]
34	V615881620	1	SEALING WASHER [A]
35	V836866957	1	COVER
36	V590253388	6	SCREW
37	V581804600	4	HEX SOCKET SCREW
38	V836855554	1	GASKET [A]
39	V529801102	8	HEX CAP SCREW
40	V837070197	2	SCREW
41	V615881420	1	SEALING WASHER [A]
42	V640325014	1	PLUG
43	V500050840	1	FLAT WASHER
44	V546801360	1	STUD BOLT
45	V546801400	1	STUD BOLT
46	V837070285	1	COVER

Fendt

8370P (580000001-999 / 580400001-999 AL) / 8400P (581000001-999 / 581400001-999 AL)
(62276-63999) COMBINE

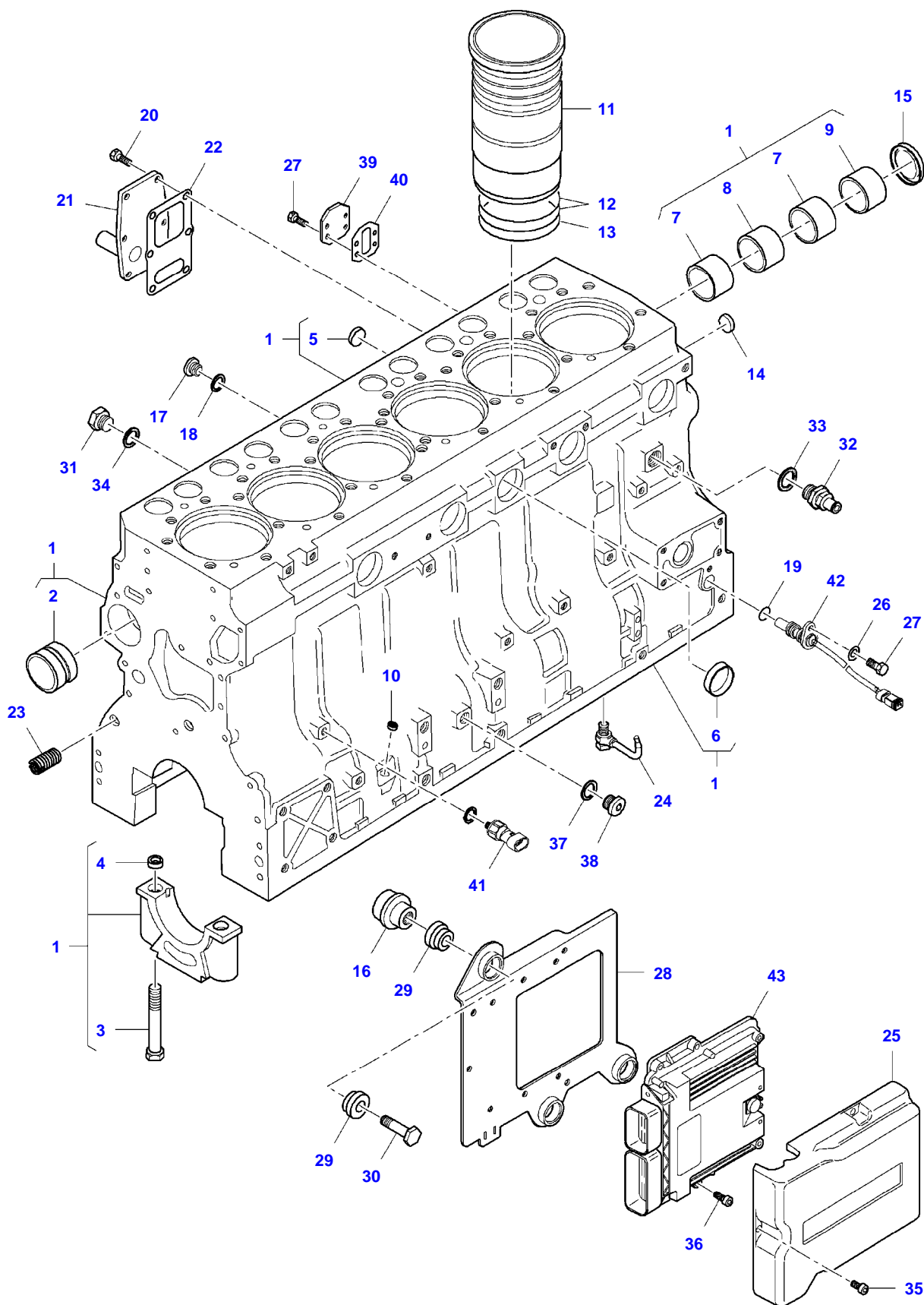
3906262

CYLINDER BLOCK

Page01-0011

Item	Part Number	Qty	Description Comments
47	V837070286	1	COVER
48	V500150642	5	WASHER
49	V581804182	5	HEX SOCKET SCREW
50		X	SENSOR SEE PAGE 01-0053
51		X	CONTROL UNIT SEE PAGE 01-0053
52		X	MODULE SEE PAGE 01-0053
53		X	SPEED SENSOR SEE PAGE 01-0053 [A] INCLUDED IN KIT V837062628

8370P (580000001-999 / 580400001-999 AL) / 8400P (581000001-999 / 581400001-999 AL)
(62276-63999) COMBINE
8024717-F5-1



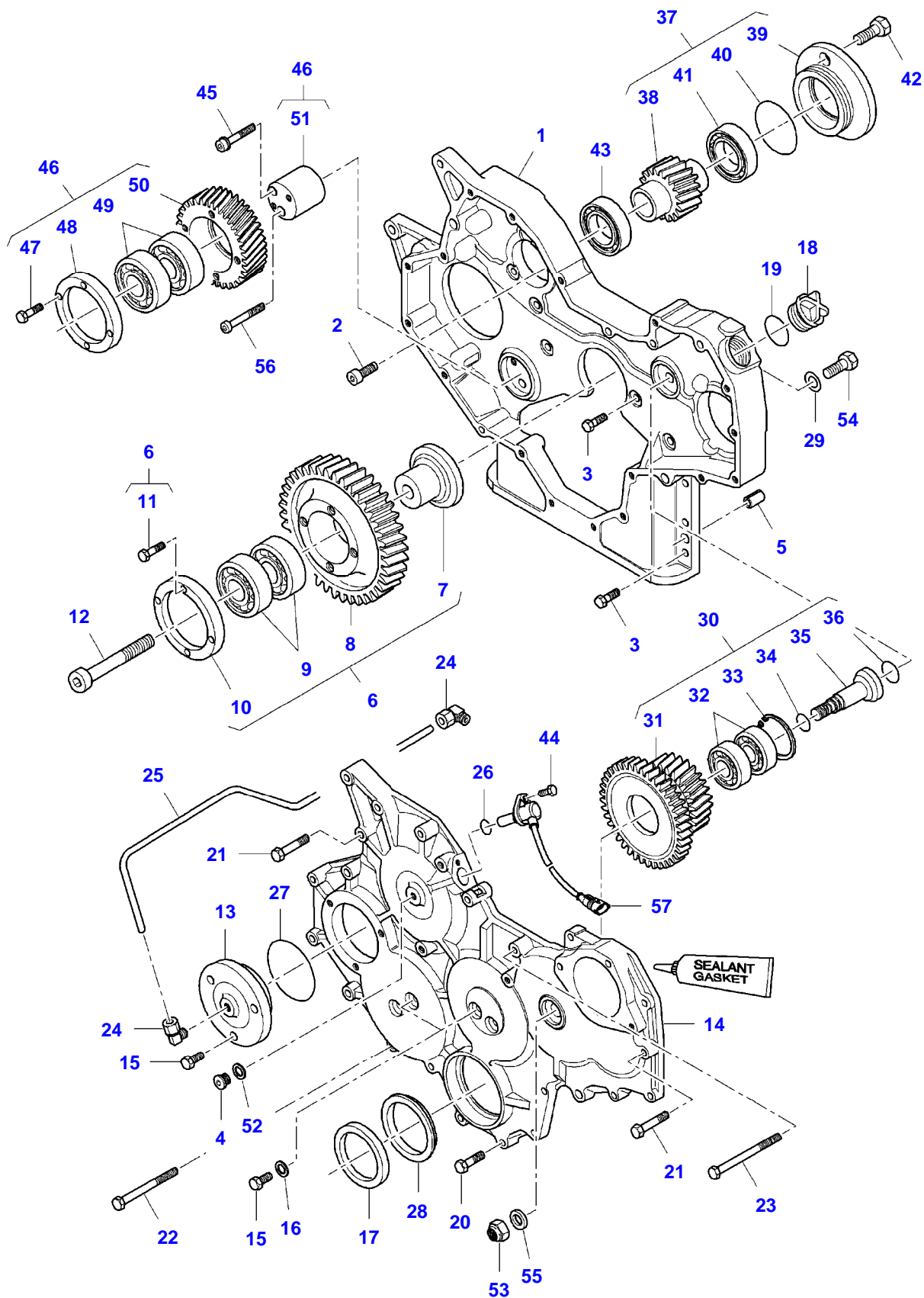
8024717-F5-1

(62276-63999) COMBINE

CYLINDER BLOCK

Item	Part Number	Qty	Description Comments
			FROM ENGINE S/N X29718
1	V836873095	1	CYLINDER BLOCK
2	V836866069	1	CAMSHAFT BEARING BUSH
	V836866036	X	CAMSHAFT BEARING BUSH
3	V835329030	14	HEX CAP SCREW
4	V836214478	24	GUIDE SLEEVE
5	V640016018	1	PLUG
6	V640016040	4	PLUG
7	V836852460	2	CAMSHAFT BEARING BUSH
8	V836852459	1	CAMSHAFT BEARING BUSH
9	V836852461	1	CAMSHAFT BEARING BUSH
10	V640016012	1	PLUG
11	V836867048	6	LINER
	V836867050	X	LINER THICKNESS
12	V836855446	12	CYLINDER LINER O-RING [A]
13	V836855447	6	CYLINDER LINER O-RING [A]
14	V640016016	2	PLUG
15	V836852744	1	PLUG
16	V837069057	1	PLUG
17	V640325110	5	PLUG
18	V615871014	5	SEALING WASHER [A]
19	V614601524	1	O-RING
20	V528801380	6	HEX CAP SCREW
21	V837074414	1	COVER
22	V836322852	1	GASKET [A]
23	V836859153	1	THREADED BUSH
24	V837074224	6	PISTON COOLING JET
25	V837073901	1	COVER
26	V500050840	1	FLAT WASHER
27	V528801362	5	HEX CAP SCREW
28	V837073900	1	ECU BRACKET
29	V837084129	6	DAMPER
30	V837069056	3	SCREW
31	V836119079	1	PLUG
32	V836664377	1	COCK
33	V615881824	1	SEALING WASHER [A]
34	V615881620	1	SEALING WASHER [A]
35	V581804182	3	HEX SOCKET SCREW
36	V581804202	4	HEX SOCKET SCREW
37	V615881420	1	SEALING WASHER [A]
38	V640325014	1	PLUG
39	V836866957	1	COVER
40	V836866958	1	GASKET [A]
41		X	OIL PRESS SWITCH SEE PAGE 01-0055
42		X	SPEED SENSOR SEE PAGE 01-0055
43		X	CONTROL UNIT SEE PAGE 01-0055 [A] INCLUDED IN KIT V837079464

8370P (580000001-999 / 580400001-999 AL) / 8400P (581000001-999 / 581400001-999 AL)
(62276-63999) COMBINE
8016869-F5-1



(62276-63999) COMBINE

TIMING GEARS AND HOUSING

Item	Part Number	Qty	Description Comments
			UP TO ENGINE S/N X29717
1	V837070107	1	TIMING GEAR CASE
2	V581804620	2	HEX SOCKET SCREW
3	V528801400	12	HEX CAP SCREW
4	V640325110	1	PLUG
5	V598359850	2	PIN
6	V837070001	1	KIT, GEAR
7	V836855562	1	SHAFT
8	V837070000	1	IDLER GEAR
9	V610072109	2	BALL BEARING
10	V836855565	1	RING
11	V528901400	6	HEX CAP SCREW
12	V581705910	1	HEX SOCKET SCREW
13	V837070179	1	COVER
14	V837070108	1	GEAR HOUSING FRONT COVER
15	V528801380	7	HEX CAP SCREW
16	V615870814	4	SEALING WASHER [A]
17	V836840883	1	CRANKSHAFT SEAL [A]
18	V836017927	1	CAP
19	V614603540	1	O-RING [A]
20	V528801410	10	HEX CAP SCREW
21	V529801440	9	HEX CAP SCREW
22	V529801510	1	HEX CAP SCREW
23	V529801540	1	HEX CAP SCREW
24	V641166006	2	ELBOW FITTING
25	V836867775	1	OIL PIPE
26	V614601718	1	O-RING
27	V614606825	1	O-RING [A]
28	V836855636	1	SHIELD
29	V500951200	1	SPRING WASHER
30	V837070072	1	DUAL GEAR WHEEL
31	V837070113	1	DUAL GEAR WHEEL
32	V610073040	2	BALL BEARING
33	V617330052	1	LOCK RING
34	V614601324	1	O-RING [A]
35	V837069069	1	SHAFT
36	V614601924	1	O-RING [A]
37	V837070137	1	DRIVE
38	V837070005	1	HYDRAULIC PUMP GEAR WHEEL
39	V836855651	1	FLANGE
40	V614609430	1	O-RING [A]
41	V610060096	1	BALL BEARING
42	V528802602	2	HEX CAP SCREW
43	V610060096	1	BALL BEARING
44	V528801062	1	HEX CAP SCREW
45	V580704670	1	HEX SOCKET SCREW
46	V837070004	1	IDLER GEAR
47	V528901400	4	HEX CAP SCREW
48	V836855565	1	RING
49	V610072109	2	BALL BEARING
50	V837070002	1	IDLER GEAR
51	V837070003	1	SHAFT
52	V615571014	1	SEALING WASHER
53	V504601400	1	NUT
54	V581705420	1	HEX SOCKET SCREW

Fendt

8370P (580000001-999 / 580400001-999 AL) / 8400P (581000001-999 / 581400001-999 AL)
(62276-63999) COMBINE

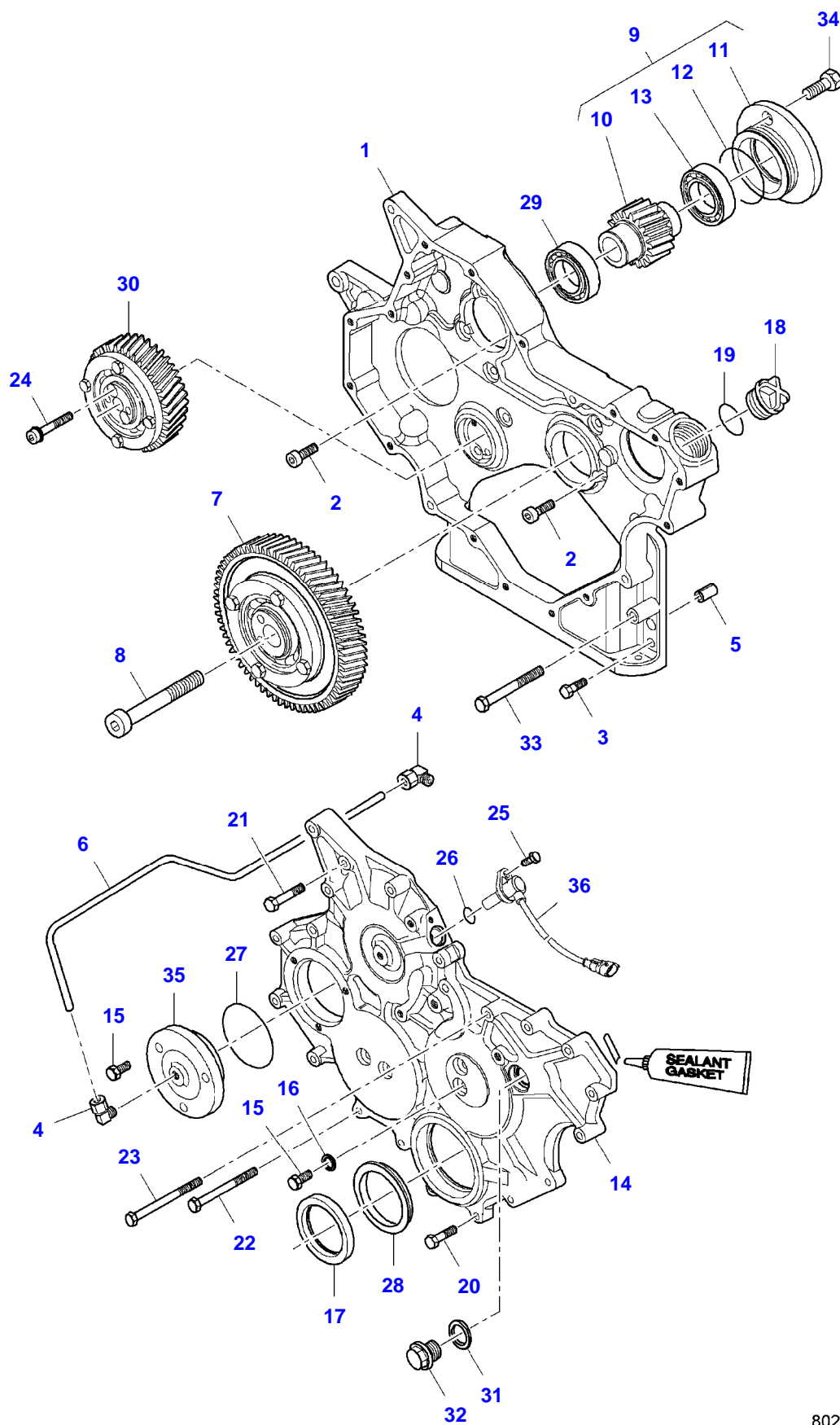
3906262

TIMING GEARS AND HOUSING

Page01-0013

Item	Part Number	Qty	Description Comments
55	V837069070	1	WASHER
56	V581704710	1	HEX SOCKET SCREW
57		X	SPEED SENSOR SEE PAGE 01-0053 [A] INCLUDED IN KIT V837062628

8370P (580000001-999 / 580400001-999 AL) / 8400P (581000001-999 / 581400001-999 AL)
(62276-63999) COMBINE
8024917-F5-1



(62276-63999) COMBINE

TIMING GEARS AND HOUSING

Item	Part Number	Qty	Description Comments	Technical Specification
			FROM ENGINE S/N X29718	
1	V837073615	1	TIMING GEAR CASE	
2	V581804602	11	HEX SOCKET SCREW	
3	VHA6324	3	SCREW	M8 X 25 ISO 8.8
4	VGS9012	2	FITTING	M10 (1.0)
5	VJE8802	2	PIN	
6	V836867775	1	OIL PIPE	
7	V837073583	1	IDLER GEAR	
8	V581705910	1	HEX SOCKET SCREW	
9	V837070137	1	DRIVE	
10	V837070005	1	HYDRAULIC PUMP GEAR WHEEL	
11	V836855651	1	FLANGE	
12	V614609430	1	O-RING	
			[A]	
13	VLA1014	1	BALL BEARING	?45-75 X 16 MM
14	V837073616	1	GEAR HOUSING FRONT COVER	
15	V528801382	7	HEX CAP SCREW	
16	V615870814	4	SEALING WASHER	
			[A]	
17	V836840883	1	CRANKSHAFT SEAL	
			[A]	
18	V836017927	1	CAP	
19	V614603540	1	O-RING	
			[A]	
20	VHA6325	5	SCREW	M8 X 30 ISO 8.8
21	V529801440	14	HEX CAP SCREW	
22	VHA8330	2	SCREW	M8 X 80 ISO 8.8
23	V529801540	1	HEX CAP SCREW	
24	V580704670	2	HEX SOCKET SCREW	
25	VHA6313	1	SCREW	M6 X 16 ISO 8.8
26	V614601718	1	O-RING	
27	V614606825	1	O-RING	
			[A]	
28	V836855636	1	SHIELD	
29	VLA1014	1	BALL BEARING	?45-75 X 16 MM
30	V837073256	1	IDLER GEAR	
31	V615882227	1	SEALING WASHER	
32	V640045022	1	PLUG	
33	V529801470	1	HEX CAP SCREW	
34	V528802602	2	HEX CAP SCREW	
35	V837070179	1	COVER	
36		X		
			SPEED SENSOR SEE PAGE 01-0055	
			[A] INCLUDED IN KIT V837079464	

Thank you so much for reading.
Please click the “Buy Now!”
button below to download the
complete manual.



After you pay.

You can download the most
perfect and complete manual in
the world immediately.

Our support email:

ebooklibonline@outlook.com