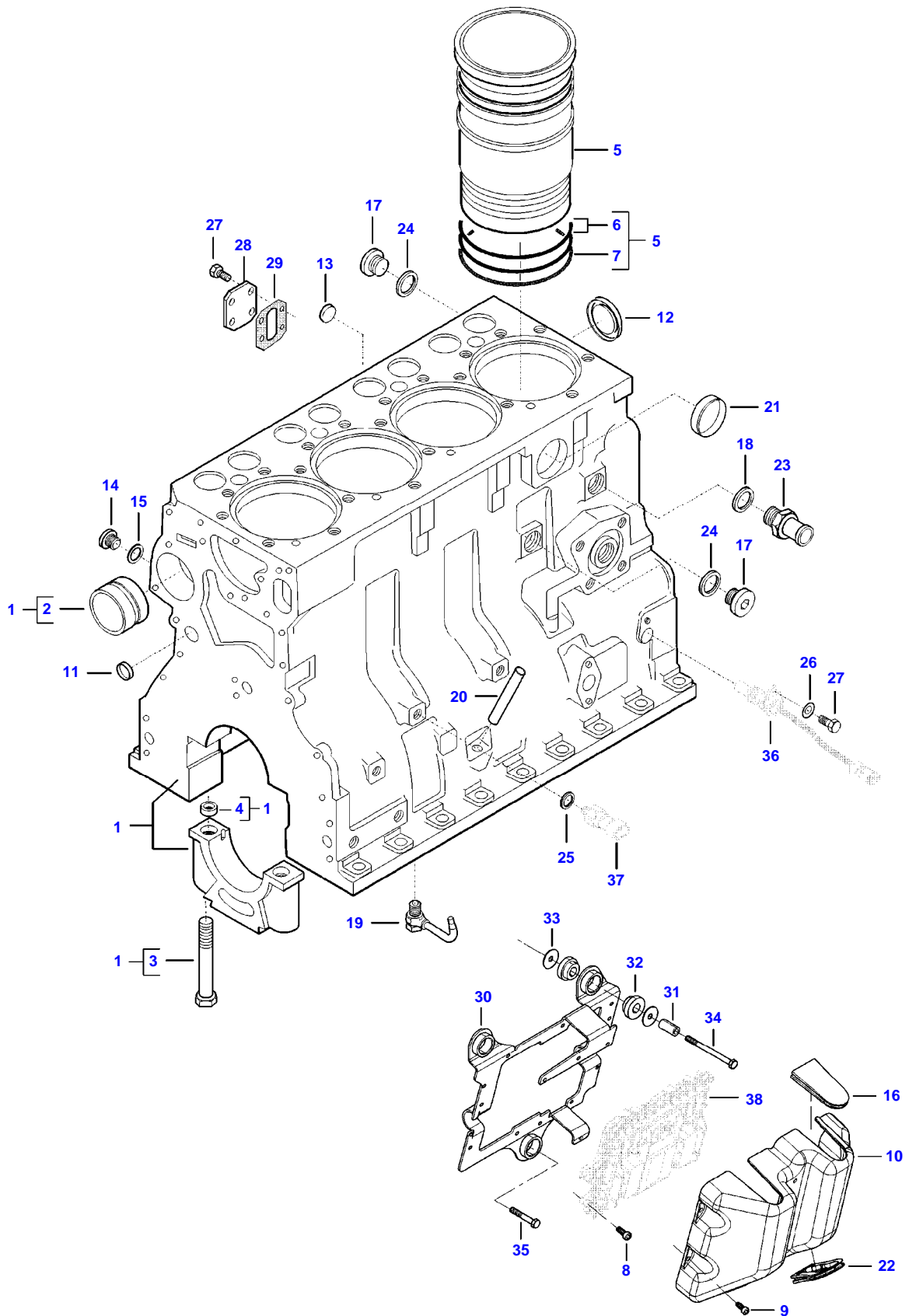


TABLE OF CONTENT

Page Number	Page Title	Page Reference
01-000-TOC	ENGINE V834677326 49 AWF	01-000-TOC
02-000-TOC	ENGINE INSTALLATION	02-000-TOC
03-000-TOC	DRIVE SYSTEM	03-000-TOC
04-000-TOC	AXLES	04-000-TOC
05-000-TOC	FRAME AND SUSPENSION	05-000-TOC
06-000-TOC	STEERING SYSTEM	06-000-TOC
07-000-TOC	DRIVE TRAIN SYSTEM	07-000-TOC
08-000-TOC	BRAKE SYSTEM	08-000-TOC
09-000-TOC	HYDRAULIC SYSTEM	09-000-TOC
10-000-TOC	ELECTRICAL SYSTEM	10-000-TOC
11-000-TOC	CAB	11-000-TOC
12-000-TOC	PLATFORM	12-000-TOC
13-000-TOC	AIR CONDITIONING AND HEATING SYSTEM	13-000-TOC
14-000-TOC	CHASSIS	14-000-TOC
15-000-TOC	DECALS	15-000-TOC
16-000-TOC	WHEELS	16-000-TOC
17-000-TOC	FEEDING SYSTEM	17-000-TOC
18-000-TOC	THRESHING SYSTEM	18-000-TOC
19-000-TOC	CLEANING SYSTEM	19-000-TOC
20-000-TOC	GRAIN BIN AND ELEVATOR SYSTEM	20-000-TOC
21-000-TOC	DISCHARGE SYSTEM	21-000-TOC
22-000-TOC	ATTACHMENTS	22-000-TOC
23-000-TOC	ACCESSORIES	23-000-TOC

5185E COMBINE (STAGE 4 / TIER 4F) (551200001-043) (ZN205512X03000044-999)
AP1C1276

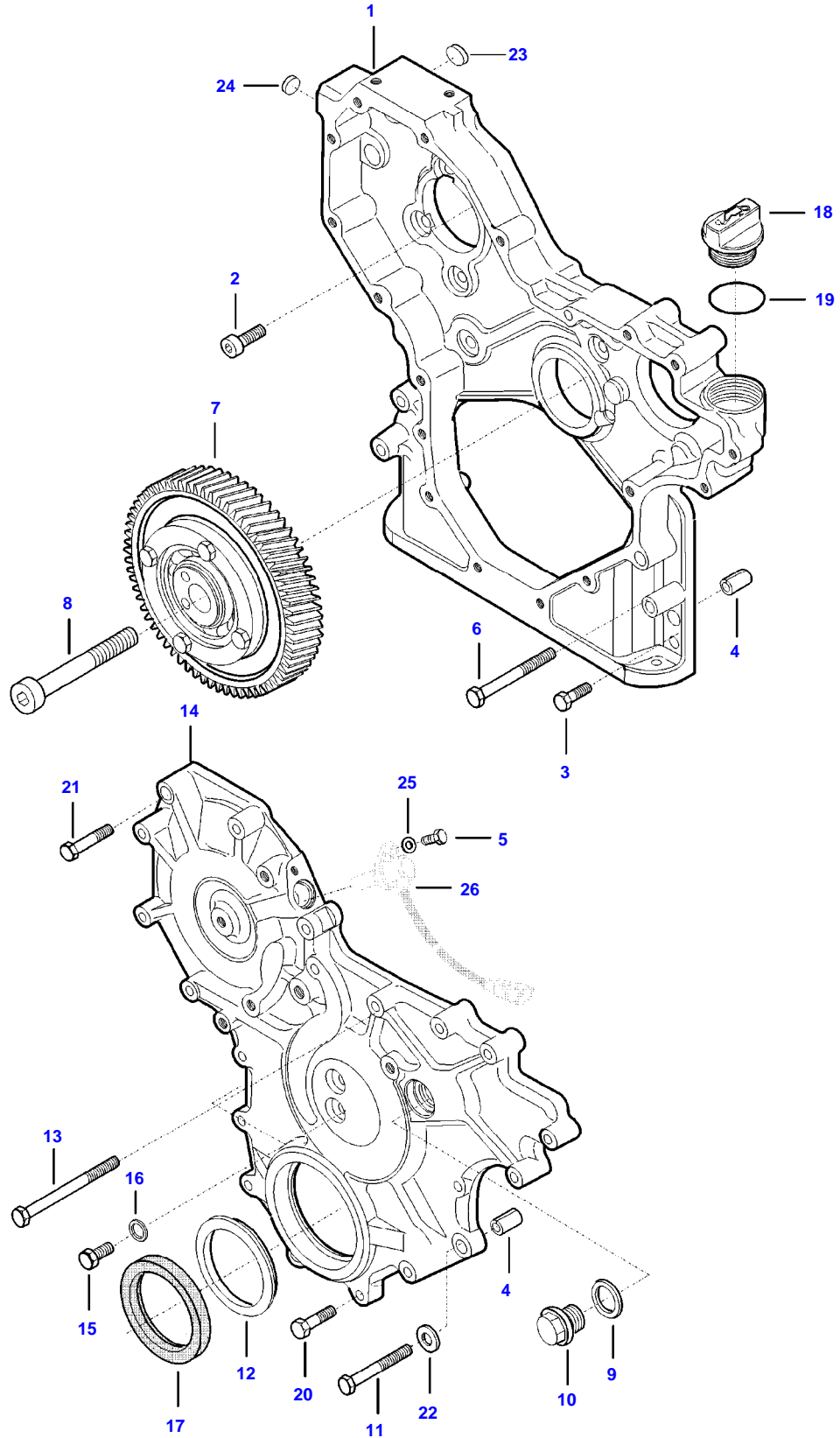
AP1C1276



CYLINDER BLOCK

Item	Part Number	Qty	Description Comments
1	V836773437	1	CYLINDER BLOCK
2	V836866069	1	CAMSHAFT BEARING BUSH (1)
3	V835329030	10	HEX CAP SCREW (1)
4	V836214478	8	GUIDE SLEEVE (1)
5	V836673191	4	LINER
6	V836647502	8	CYLINDER LINER O-RING (5) [B]
7	V836647503	4	CYLINDER LINER O-RING (5) [B]
8	V581804222	8	HEX SOCKET SCREW
9	V581804182	6	HEX SOCKET SCREW
10	V837084080	1	COVER
11	V640016016	4	CUP PLUG [B]
12	V836529872	1	PLUG
13	V640016018	1	CUP PLUG
14	V640325110	3	SCREW PLUG
15	V615871014	3	SEALING WASHER [B]
16	V837084136	2	SHIELD
17	V640325018	2	PLUG
18	V836684772	1	SEALING WASHER [B]
19	V837074224	4	PISTON COOLING JET
20	V836666910	1	OIL DIPSTICK GUIDE PIPE
21	V640016040	1	CUP PLUG
22	V837084661	1	SHIELD
23	V836119837	1	HOSE COUPLER
24	V615881824	2	SEALING WASHER [B]
25	V615871016	1	SEALING WASHER [B]
26	V500050842	1	WASHER
27	V528801362	5	HEX CAP SCREW
28	V836866957	1	COVER
29	V836866958	1	GASKET [B]
30	ACW1444390	1	ECU BRACKET
31	V836855626	3	SPACER
32	V837084129	6	DAMPER
33	V500750842	6	WASHER
34	V529801562	2	HEX CAP SCREW
35	V529801440	1	HEX CAP SCREW
36		1	SEE PAGE 01-0022
37		1	SEE PAGE 01-0022
38		1	SEE PAGE 01-0022 [B] INCLUDED IN COMPLETE ENGINE GASKET KIT 2

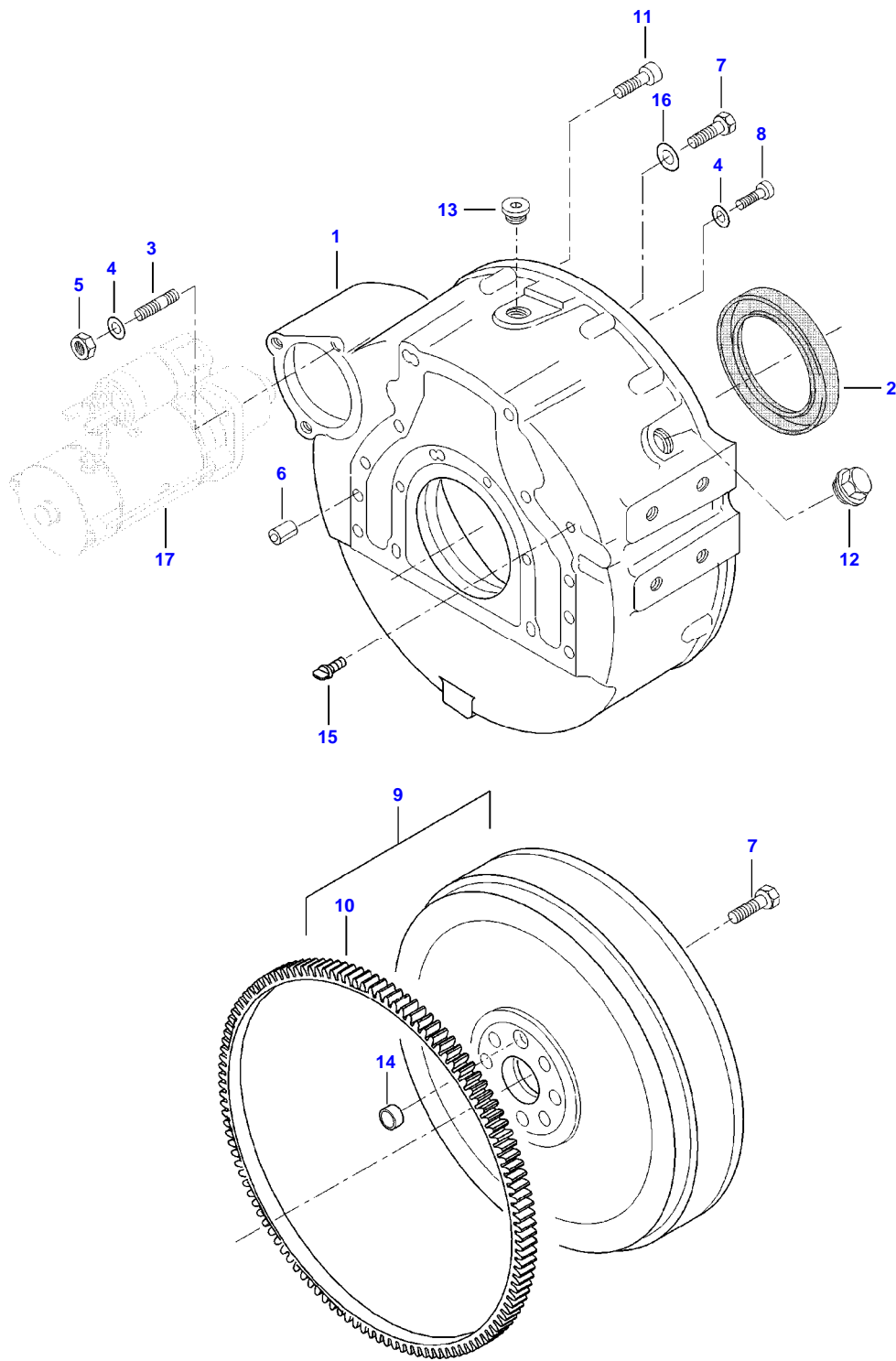
AP2D1025



TIMING GEARS AND HOUSING

Item	Part Number	Qty	Description Comments
1	V837074705	1	TIMING GEAR CASE
2	V581704600	10	HEX SOCKET SCREW
3	V528801402	2	HEX CAP SCREW
4	V598359850	3	PIN
5	V528801062	1	HEX CAP SCREW
6	V529801472	3	HEX CAP SCREW
7	V837073583	1	IDLER GEAR
8	V581705910	1	HEX SOCKET SCREW
9	V615882227	1	SEALING WASHER [B]
10	V640045022	1	PLUG
11	V529801522	1	HEX CAP SCREW
12	V836855636	1	SHIELD
13	V529801542	1	HEX CAP SCREW
14	V837074707	1	GEAR HOUSING FRONT COVER
15	V528801382	2	HEX CAP SCREW
16	V615870814	2	SEALING WASHER [B]
17	V836840883	1	CRANKSHAFT SEAL [B]
18	V837081106	1	OIL FILLER CAP
19	V614603540	1	O-RING [B]
20	V528801412	7	HEX CAP SCREW
21	V529801442	10	HEX CAP SCREW
22	V836120989	1	WASHER
23	V640016020	1	CUP PLUG
24	V640016016	1	CUP PLUG
25	V500150642	1	WASHER
26		1	SEE PAGE 01-0022 [B] INCLUDED IN COMPLETE ENGINE GASKET KIT 2

AP3E3009



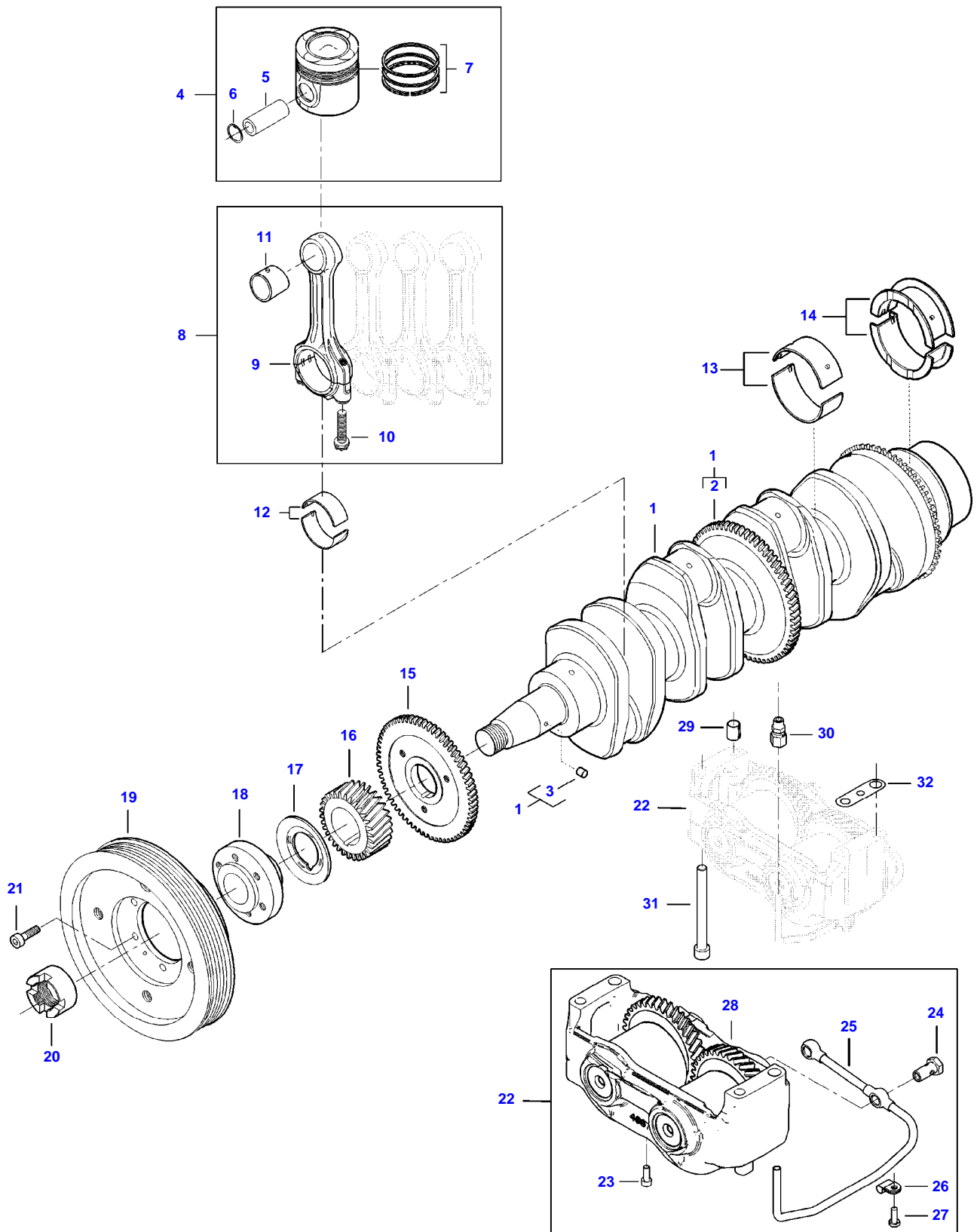
FLYWHEEL AND HOUSING

Item	Part Number	Qty	Description Comments
1	V836647440	1	FLYWHEEL HOUSING
2	V837091172	1	CRANKSHAFT SEAL [B]
3	V546801810	3	STUD BOLT
4	V500951002	3	SPRING WASHER
5	V504601002	3	NUT
6	V598359850	2	PIN
7	V528702220	14	HEX CAP SCREW
8	V581705030	6	HEX SOCKET SCREW
9	V836124197	1	FLYWHEEL
10	V836117970	1	STARTER RING (9)
11	V581705440	2	HEX SOCKET SCREW
12	V640045126	1	PLUG
13	V640325018	1	PLUG
14	V836659527	1	GUIDE SLEEVE
15	V836859311	1	PLUG
16	V500951202	6	SPRING WASHER
17		1	

SEE PAGE 01-0024

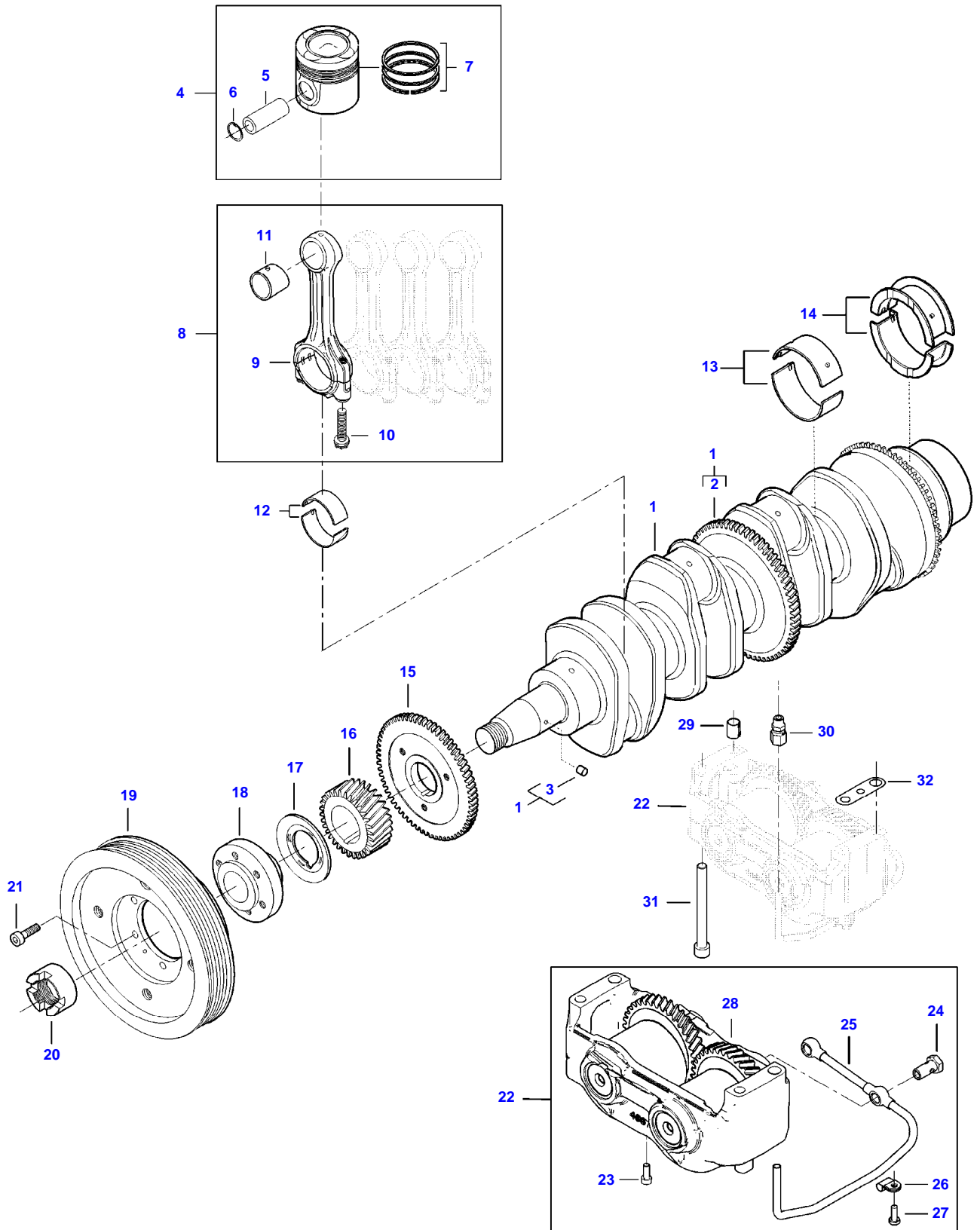
[B] INCLUDED IN COMPLETE ENGINE GASKET KIT 2

AP4B1959



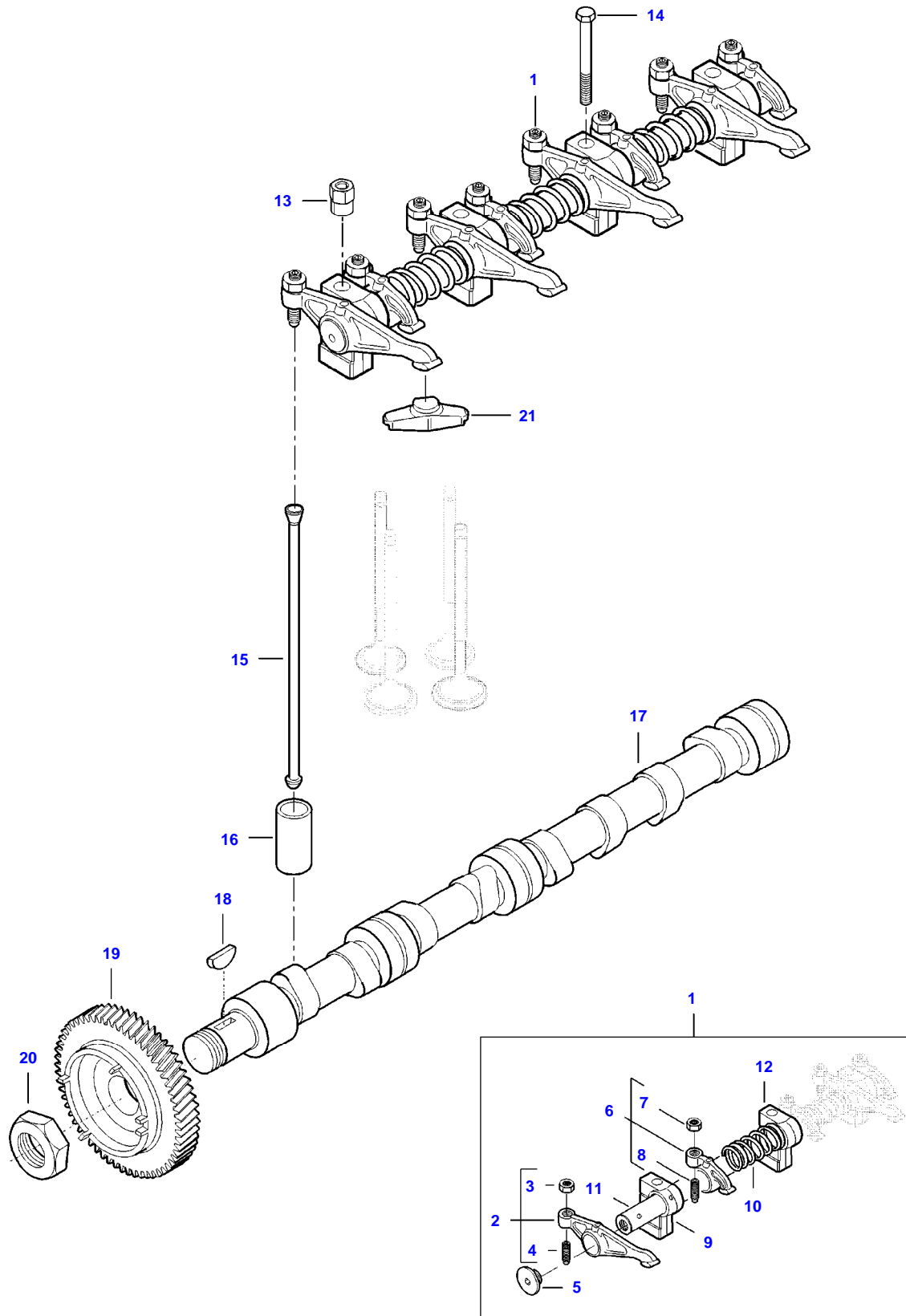
Item	Part Number	Qty	Description Comments	Technical Specification
1	V837073824	1	CRANKSHAFT	
2	V836124524	1	GEAR (1)	
3	V836867857	1	KEY (1)	
4	V837074082	4	PISTON	
5		4	NOT AVAILABLE AS SINGLE PART (4)	
6		8	NOT AVAILABLE AS SINGLE PART (4)	
7	V837079460	4	PISTON RING KIT (4)	
8	V836740859	1	CONNECTING ROD KIT	
9		4	NOT AVAILABLE AS SINGLE PART (8)	
10	V836864141	8	CONNECTING ROD BOLT (8),(9)	
11	V836110646	4	BEARING BUSH (8),(9)	STD
12	V836179781	4	CONROD BEARING	STD
13	V836655514	4	MAIN BEARING	
14	V836679154	1	MAIN BEARING	
15	V836674069	1	GEAR,CRANKSHAFT	
16	V837073560	1	GEAR,CRANKSHAFT	
17	V836855637	1	RING	
18	V837073677	1	CRANKSHAFT HUB	
19	V836766988	1	CRANKSHAFT PULLEY	
20	V836847641	1	CRANKSHAFT NUT	
21	V581804602	6	HEX SOCKET SCREW	
22	V837084821	1	COUNTERWEIGHT	
23	V581804182	2	HEX SOCKET SCREW (22)	
24	ACW2388530	2	BANJO BOLT (22)	
25	V836747478	1	OIL PIPE (22)	
26	V602071608	1	HOSE CLIP (22)	
27	V528801062	1	HEX CAP SCREW (22)	
28			NOT AVAILABLE AS SINGLE PART (22)	
29	V598359850	2	PIN	
30	V641016008	1	STRAIGHT FITTING	
31	V581805170	4	HEX SOCKET SCREW	
32	V836119920		SHIM AS REQUIRED, REFER TO WORKSHOP MANUAL	

AP4B1959



Item	Part Number	Qty	Description Comments	Technical Specification
1	V837073824	1	CRANKSHAFT	
2	V836124524	1	GEAR (1)	
3	V836867857	1	KEY (1)	
4	V837086209	4	PISTON	
5		4	NOT AVAILABLE AS SINGLE PART (4)	
6		8	NOT AVAILABLE AS SINGLE PART (4)	
7	V837079460	4	PISTON RING KIT (4)	
8	V836740859	1	CONNECTING ROD KIT	
9		4	NOT AVAILABLE AS SINGLE PART (8)	
10	V836864141	8	CONNECTING ROD BOLT (8),(9)	
11	V836110646	4	BEARING BUSH (8),(9)	STD
12	V836179781	4	CONROD BEARING	STD
13	V836655514	4	MAIN BEARING	
14	V836679154	1	MAIN BEARING	
15	V836674069	1	GEAR,CRANKSHAFT	
16	V837073560	1	GEAR,CRANKSHAFT	
17	ACW3520650	1	RING	
18	V837073677	1	CRANKSHAFT HUB	
19	V836766988	1	CRANKSHAFT PULLEY	
20	V836847641	1	CRANKSHAFT NUT	
21	V581804602	6	HEX SOCKET SCREW	
22	V837084821	1	COUNTERWEIGHT	
23	V581804182	2	HEX SOCKET SCREW (22)	
24	ACW2388530	2	BANJO BOLT (22)	
25	V836747478	1	OIL PIPE (22)	
26	V602071608	1	HOSE CLIP (22)	
27	V528801062	1	HEX CAP SCREW (22)	
28			NOT AVAILABLE AS SINGLE PART (22)	
29	V598359850	2	PIN	
30	V641016008	1	STRAIGHT FITTING	
31	V581805170	4	HEX SOCKET SCREW	
32	V836119920		SHIM AS REQUIRED, REFER TO WORKSHOP MANUAL	

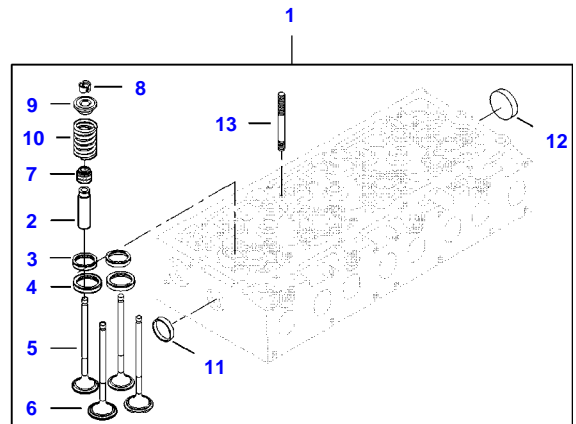
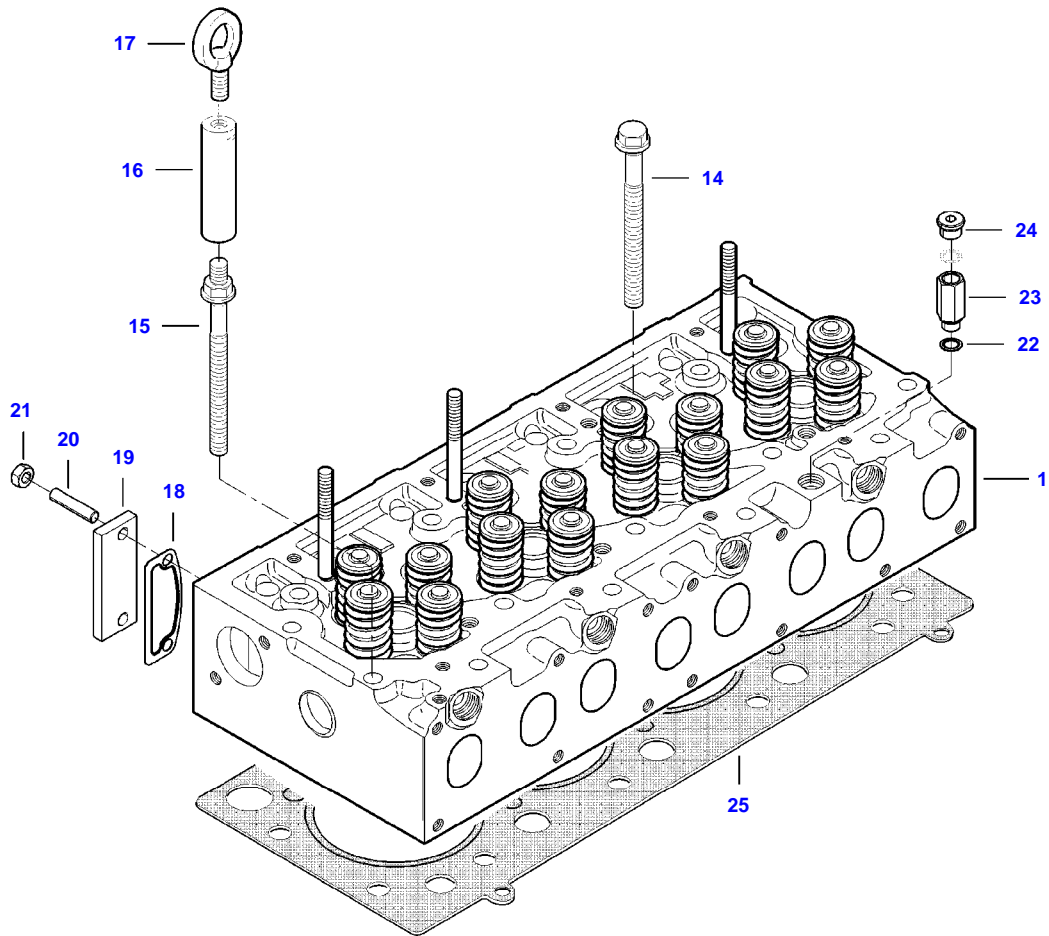
AP5B1960



CAMSHAFT AND VALVE MECHANISM

Item	Part Number	Qty	Description Comments
1	V837070105	1	ROCKER SHAFT ASM
2	V837069011	4	ROCKER ARM (1)
3	V512861000	4	NUT (1),(2)
4	V837069023	4	VALVE ROCKER ADJUSTMENT SCREW (1),(2)
5	V837069020	2	PLUG (1)
6	V837069013	4	ROCKER ARM (1)
7	V512861000	4	NUT (1),(6)
8	V837069023	4	VALVE ROCKER ADJUSTMENT SCREW (1),(6)
9	V837069017	3	ROCKER SHAFT BRACKET (1)
10	V837069019	3	SPRING (1)
11	V837070104	1	SHAFT (1)
12	V837069018	1	ROCKER SHAFT BRACKET (1)
13	V836655406	3	SLEEVE NUT
14	V529801912	1	HEX CAP SCREW
15	V837084417	8	PUSH ROD
16	V836014264	8	TAPPET
17	V837073039	1	CAMSHAFT
18	V603305760	1	WOODRUFF KEY
19	V837073674	1	GEAR,CAMSHAFT
20	V837069085	1	NUT
21	V837073089	8	VALVE BRIDGE

AP6C2712

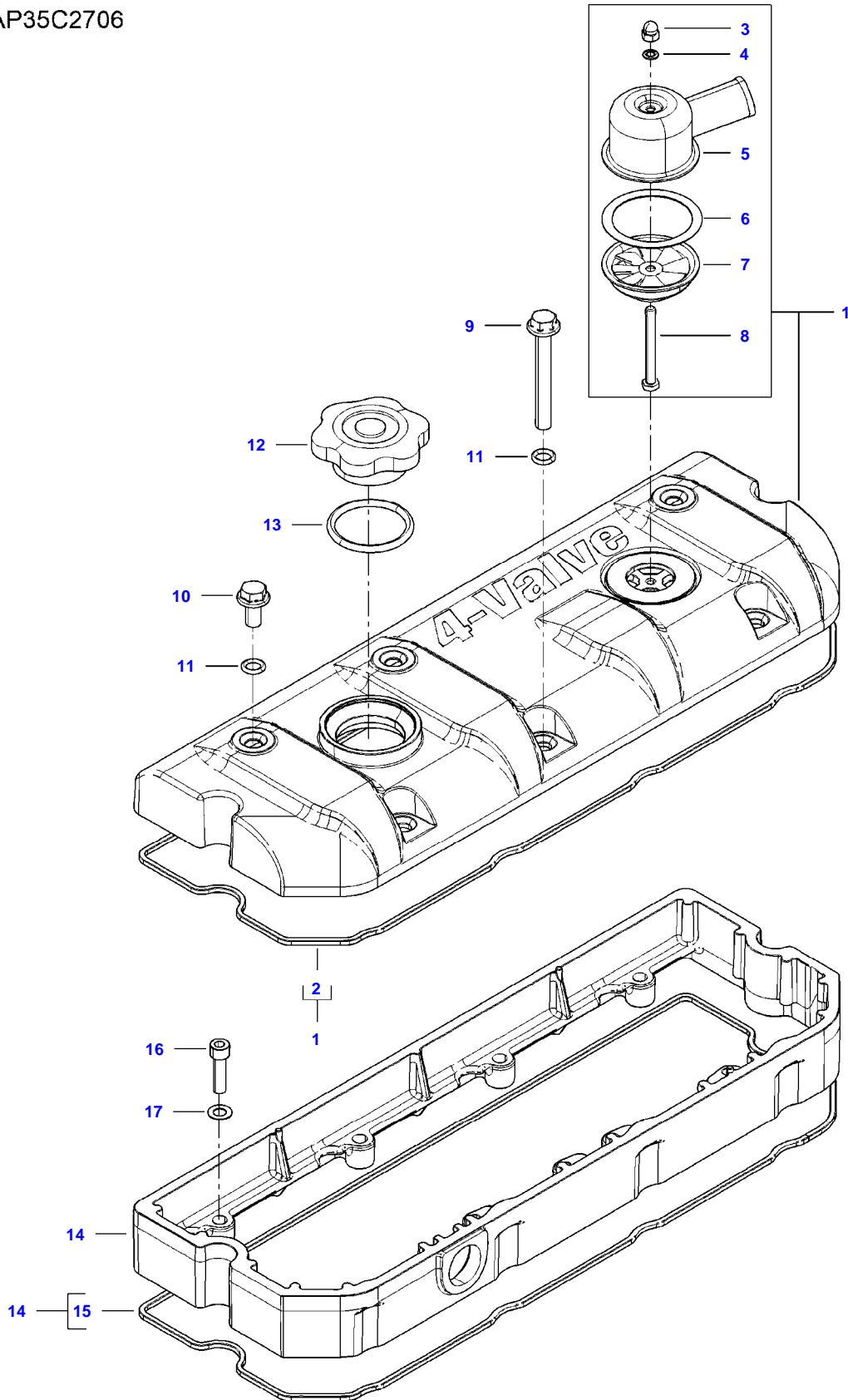


CYLINDER HEAD

Item	Part Number	Qty	Description Comments	Technical Specification
1	V837086475	1	CYLINDER HEAD	
2	V837073174	16	VALVE GUIDE (1)	
3	V837064907	8	VALVE SEAT (1)	STD 4V EXHAUST
4	V837064908	8	VALVE SEAT (1)	STD 4V INTAKE
5	V837069002	8	EXHAUST VALVE (1)	
6	V837069003	8	INTAKE VALVE (1)	
7	V837073165	16	VALVE STEM GASKET (1) [A]	
8	V837064910	32	COTTER (1)	
9	V837069004	16	SPRING PLATE (1)	
10	V837069005	16	VALVE SPRING (1)	
11	V836647942	5	CUP PLUG (1)	
12	V640016045	1	CUP PLUG (1)	
13	V546901900	3	STUD BOLT (1)	
14	V837069025	18	CYLINDER HEAD BOLT	
15	V837073571	4	CYLINDER HEAD BOLT	
16	V836867567	2	LIFTING EYE EXTENSION	
17	V836640752	2	LIFT EYE	
18	ACW1796900	1	GASKET [A]	
19	V836855350	1	BLOCK OFF PLATE	
20	V546801820	2	STUD BOLT	
21	V504601000	2	NUT	
22	V836684772	2	SEALING WASHER [A]	
23	V837086506	1	UNION	
24	V640325018	1	PLUG	
25	V837084524	1	CYLINDER HEAD GASKET [A]	

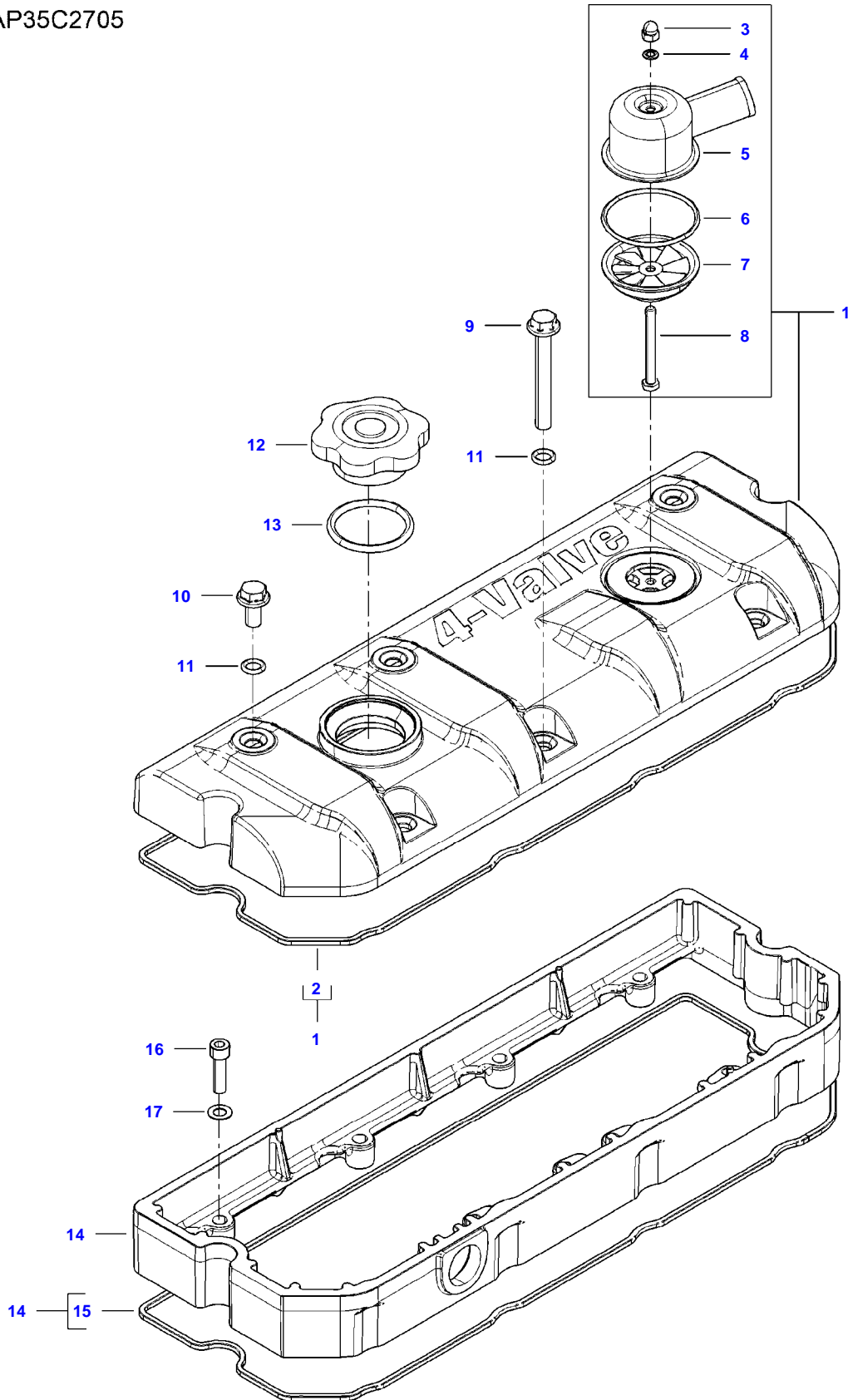
[A] INCLUDED IN CYLINDER HEAD GASKET KIT 1

AP35C2706



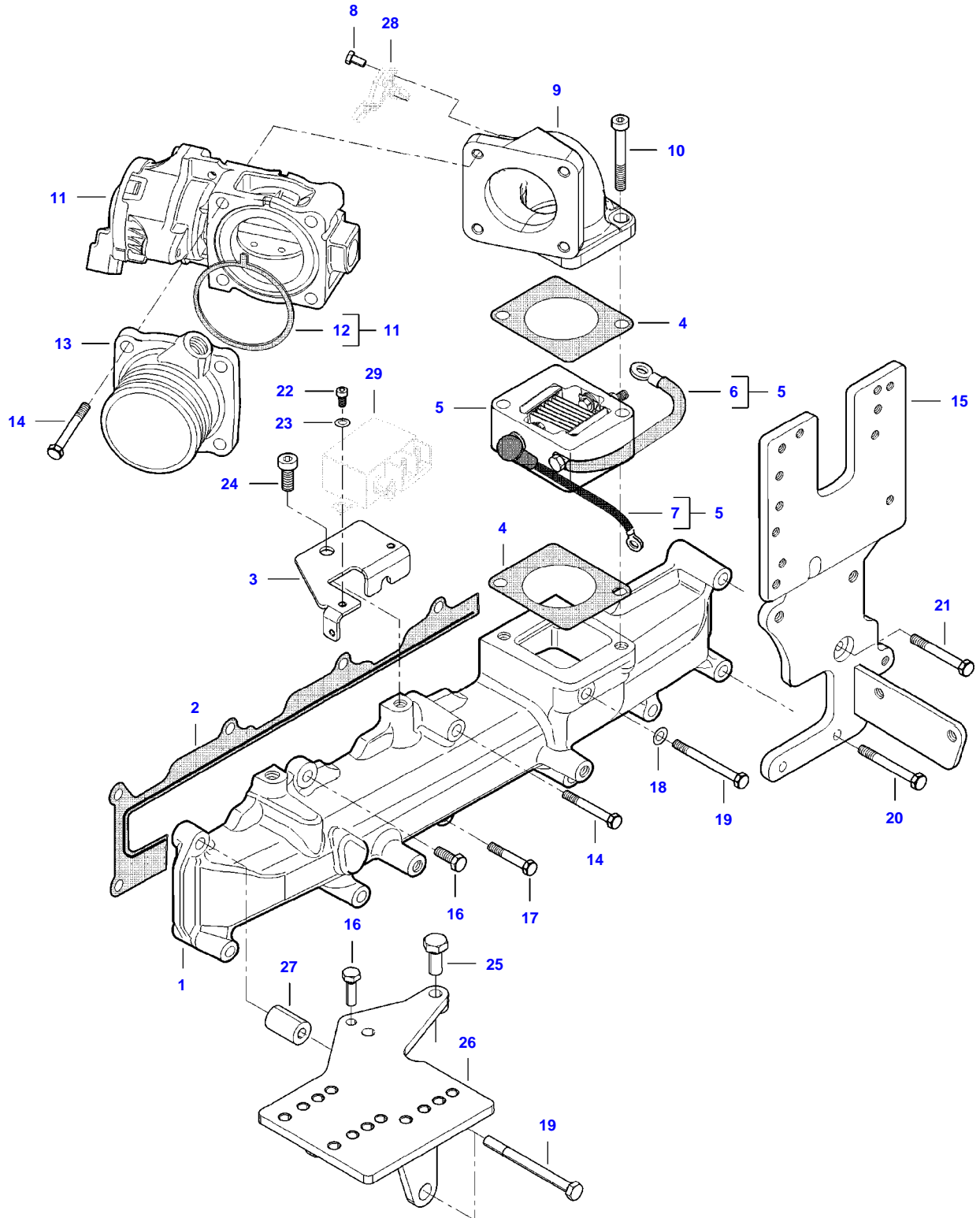
Item	Part Number	Qty	Description Comments
1	V837084226	1	VALVE ROCKER COVER
2	V837070128	1	VALVE ROCKER COVER GASKET (1) [A]
3	V519600602	1	NUT (1)
4	V836667508	1	SEALING WASHER (1)
5	V837070442	1	BREATHER CAP (1)
6	V836667459	1	GASKET (1)
7	V837070443	1	BREATHER (1)
8	V528801172	1	HEX CAP SCREW (1)
9	V540801910	3	HEXAGON FLANGE BOLT
10	V540801780	3	HEXAGON FLANGE BOLT
11	V614901030	6	O-RING [A]
12	V836659968	1	OIL FILLER CAP
13	V614704850	1	O-RING [A]
14	V837084224	1	VALVE ROCKER COVER FRAME
15	V837070128	1	VALVE ROCKER COVER GASKET (14) [A]
16	V581804630	4	HEX SOCKET SCREW
17	V500950800	4	SPRING WASHER [A] INCLUDED IN CYLINDER HEAD GASKET KIT 1

AP35C2705



Item	Part Number	Qty	Description Comments
1	V837086522	1	VALVE ROCKER COVER
2	V837070128	1	VALVE ROCKER COVER GASKET (1) [A]
3	V519600602	1	NUT (1)
4	V836684766	1	SEALING WASHER (1)
5	V837070442	1	BREATHER CAP (1)
6	V614605930	1	O-RING (1)
7	V837070443	1	BREATHER (1)
8	V528801172	1	HEX CAP SCREW (1)
9	V540801910	3	HEXAGON FLANGE BOLT
10	V540801780	3	HEXAGON FLANGE BOLT
11	V614901030	6	O-RING [A]
12	V836659968	1	OIL FILLER CAP
13	V614704850	1	O-RING [A]
14	V837084224	1	VALVE ROCKER COVER FRAME
15	V837070128	1	VALVE ROCKER COVER GASKET (14) [A]
16	V581804630	4	HEX SOCKET SCREW
17	V500950800	4	SPRING WASHER [A] INCLUDED IN CYLINDER HEAD GASKET KIT 1

AP7C2707

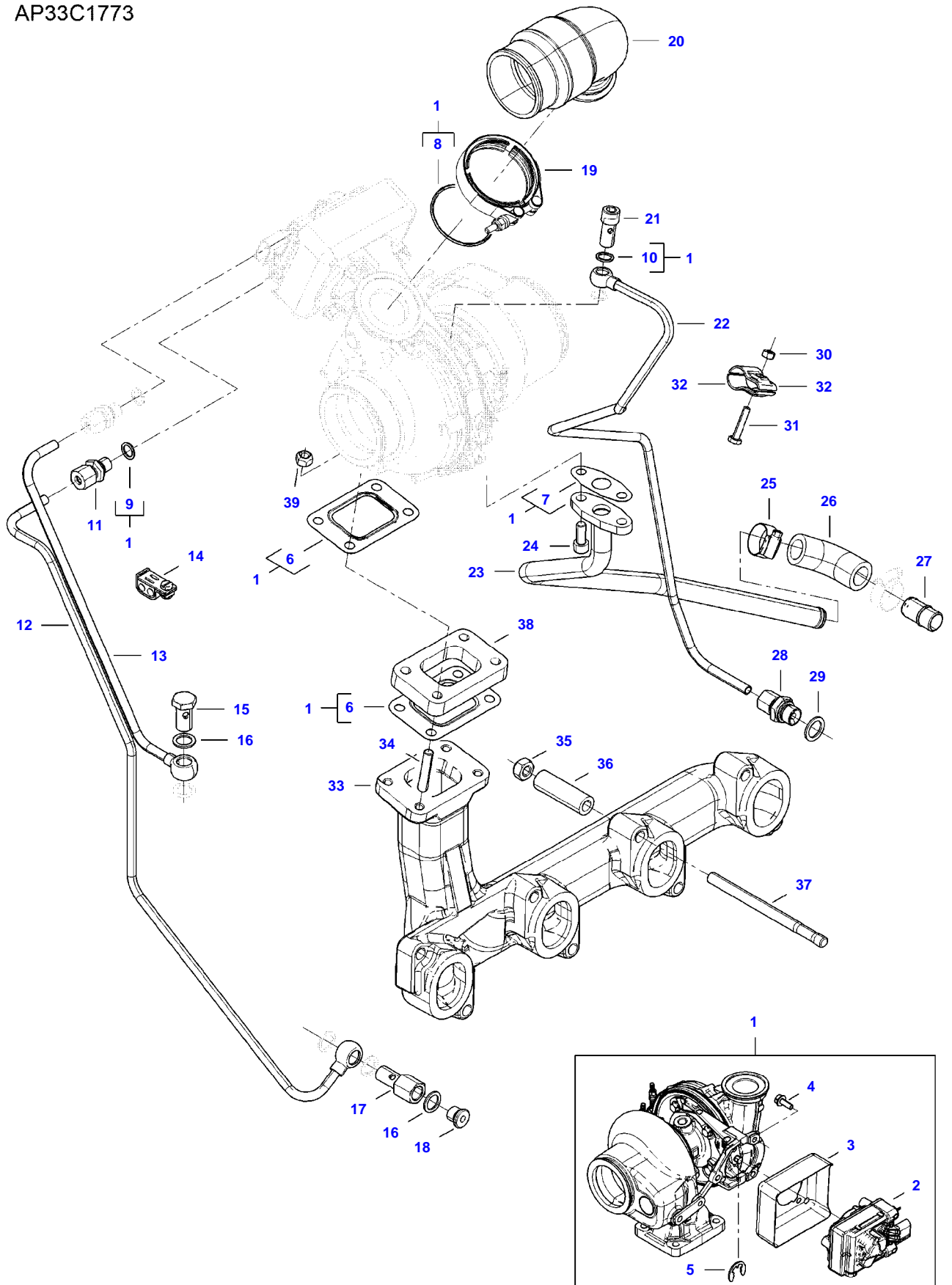


INTAKE MANIFOLD

Item	Part Number	Qty	Description Comments
1	V837084512	1	INTAKE MANIFOLD
2	V837070364	1	INTAKE MANIFOLD GASKET [A]
3	V837084566	1	BRACKET
4	V836666074	2	GASKET [A]
5	V836674519	1	INTAKE AIR PREHEATER
6	V836767085	1	GROUND WIRE (5)
7	V836866713	1	WIRE (5)
8	V528801082	1	HEX CAP SCREW
9	V837084545	1	AIR PIPE
10	V581705070	2	HEX SOCKET SCREW
11	V837084473	1	THROTTLE FLAP
12	V837079937	2	GASKET (11) [A]
13	V837084187	1	AIR PIPE
14	V529801470	5	HEX CAP SCREW
15	V837086260	1	FUEL FILTER BRACKET
16	V528801402	2	HEX CAP SCREW
17	V529801450	1	HEX CAP SCREW
18	V836684767	1	SEALING WASHER [A]
19	V529801540	3	HEX CAP SCREW
20	V529801490	2	HEX CAP SCREW
21	V529801480	1	HEX CAP SCREW
22	V581804182	2	HEX SOCKET SCREW
23	V500050642	2	WASHER
24	V528801760	1	HEX CAP SCREW
25	V528801800	1	HEX CAP SCREW
26	V837073276	1	BRACKET
27	V836138015	1	SPACER PIECE
28		1	SEE PAGE 01-0022
29		1	SEE PAGE 01-0022 [A] INCLUDED IN CYLINDER HEAD GASKET KIT 1

5185E COMBINE (STAGE 4 / TIER 4F) (55120001-043) (ZN205512X03000044-999)
AP33C1773

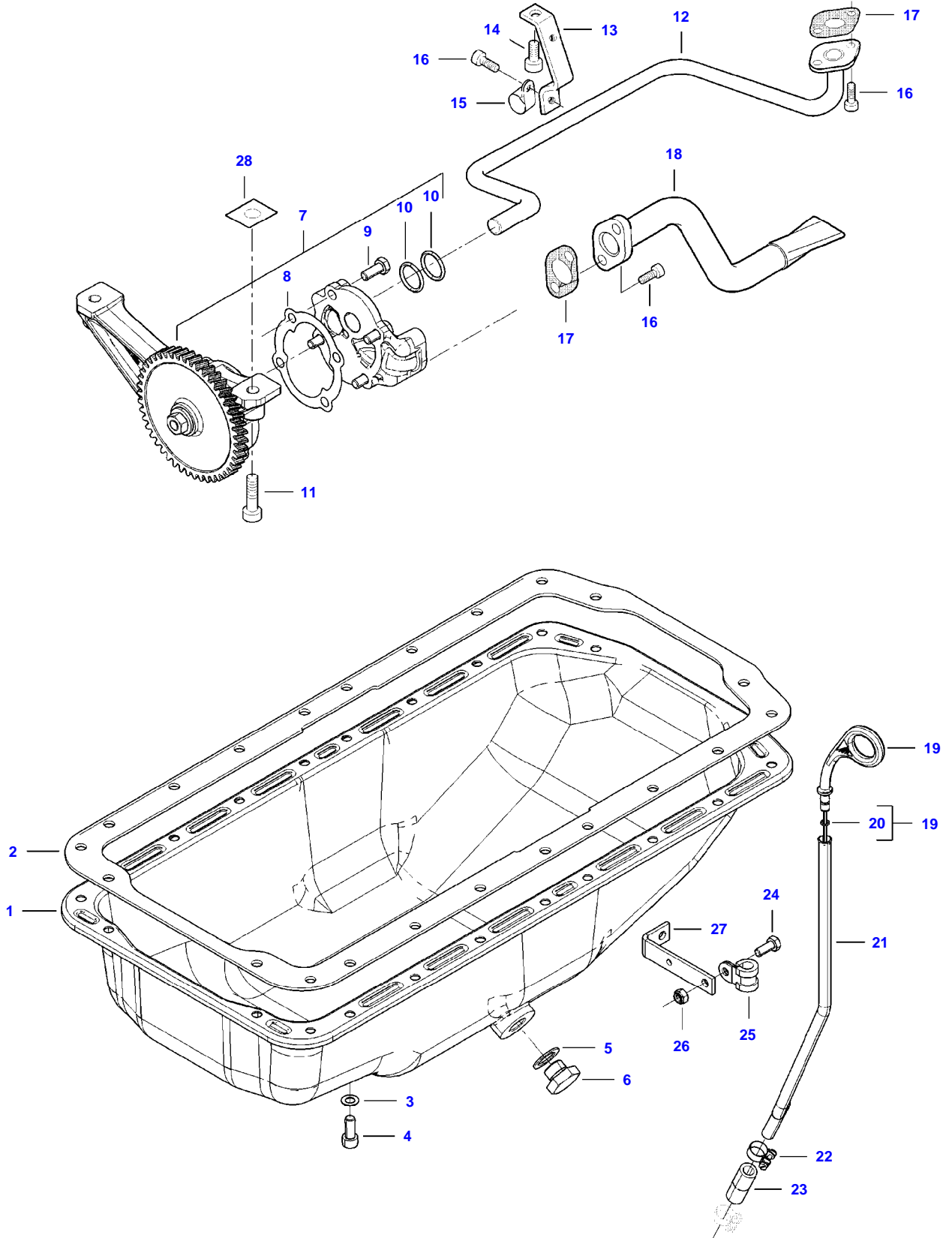
AP33C1773



Item	Part Number	Qty	Description Comments
1	V837079938	1	KIT, TURBOCHARGR
2	V837091110	1	ACTUATOR (1)
3	V837091123	1	HEATSHIELD (1)
4	V837091127	3	HEXAGON FLANGE BOLT (1)
5	V837079945	1	LOCK RING (1)
6	V836784847	2	GASKET (1) [A]
7	ACW3397620	1	GASKET (1) [A]
8	V614606225	1	O-RING (1) [A]
9	V615881218	2	SEALING WASHER (1) [A]
10	V615881216	2	SEALING WASHER (1) [A]
11	V641086008	2	STRAIGHT FITTING
12	V837084193	1	WATER PIPE
13	V837084194	1	WATER PIPE
14	V837073721	1	RETAINER CLAMP
15	V640435010	1	BANJO BOLT
16	V615881420	5	SEALING WASHER [A]
17	V837084064	1	BANJO BOLT
18	V640325014	1	PLUG
19	V836866454	1	V CLAMP
20	V837084408	1	AIR PIPE
21	V837084078	1	BANJO BOLT
22	V837084228	1	TURBOCHARGER LUBRICATION OIL PIPE
23	V837084229	1	TURBOCHARGER LUBRICATION OIL PIPE
24	V581804602	2	HEX SOCKET SCREW
25	V602087528	2	HOSE CLIP
26	V836647576	1	RUBBER ELBOW
27	V837084240	1	OIL PIPE
28	V641876008	1	STRAIGHT FITTING
29	V615881620	1	SEALING WASHER [A]
30	V504600602	1	NUT
31	V529801112	1	HEX CAP SCREW
32	V836773645	2	PIPE CLAMP HALF
33	V836773835	1	EXHAUST MANIFOLD
34	V546801420	4	STUD BOLT
35	V513601002	8	NUT
36	V836673013	8	SPACER PIECE
37	V836859034	8	STUD BOLT
38	V837074411	1	SPACER
39	V513800802	4	NUT

[A] INCLUDED IN CYLINDER HEAD GASKET KIT 1

AP13C2709

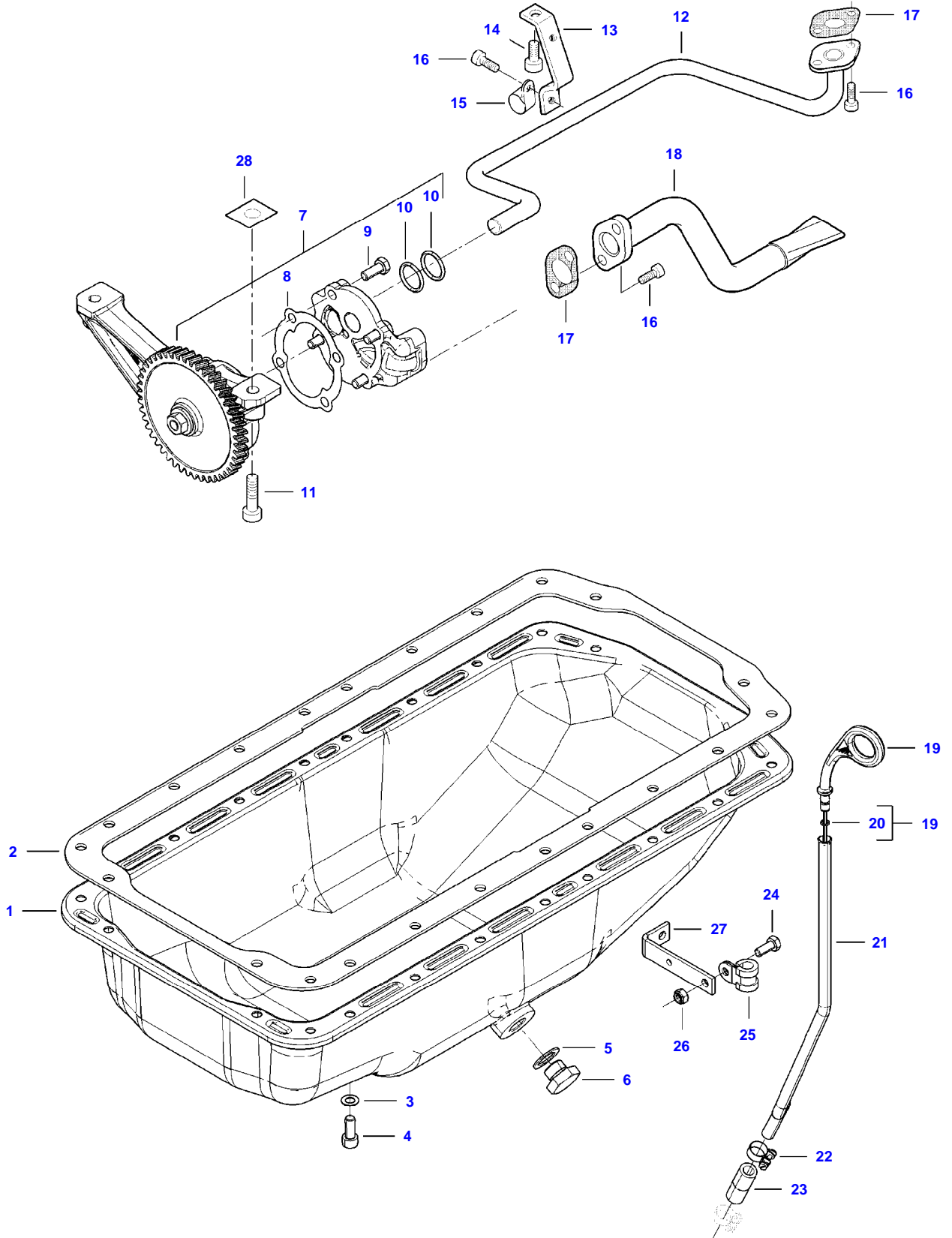


Item	Part Number	Qty	Description Comments
1	V836128794	1	OIL SUMP
2	V836107726	1	OIL SUMP GASKET [B]
3	V500950800	22	SPRING WASHER
4	V580804600	22	HEX SOCKET SCREW
5	V615881827	1	SEALING WASHER [B]
6	V836655493	1	PLUG
7	V836773146	1	LUBRICATING OIL PUMP
8	V836119796	1	GASKET (7) [B]
9	V528801382	4	HEX CAP SCREW (7)
10	V614702230	2	O-RING (7) [B]
11	V581805050	2	HEX SOCKET SCREW
12	V836773149	1	OIL PIPE
13	V836673150	1	SUPPORT
14	V581705000	1	HEX SOCKET SCREW
15	V602074522	1	RETAINER CLAMP
16	V581804602	5	HEX SOCKET SCREW
17	V836008449	2	GASKET [B]
18	V836759171	1	OIL PUMP SUCTION PIPE
19	V836667925	1	DIPSTICK
20	V614900615	1	O-RING (19) [B]
21	V836667927	1	OIL DIPSTICK GUIDE PIPE
22	V602063617	2	HOSE CLIP
23	V836119994	1	RUBBER HOSE
24	V528801382	1	HEX CAP SCREW
25	V602060612	1	RETAINER CLAMP
26	V510600802	1	NUT
27	V836652081	1	SUPPORT
28	V836007871		SHIM

AS REQUIRED, REFER TO WORKSHOP MANUAL

[B] INCLUDED IN COMPLETE ENGINE GASKET KIT 2

AP13C2709

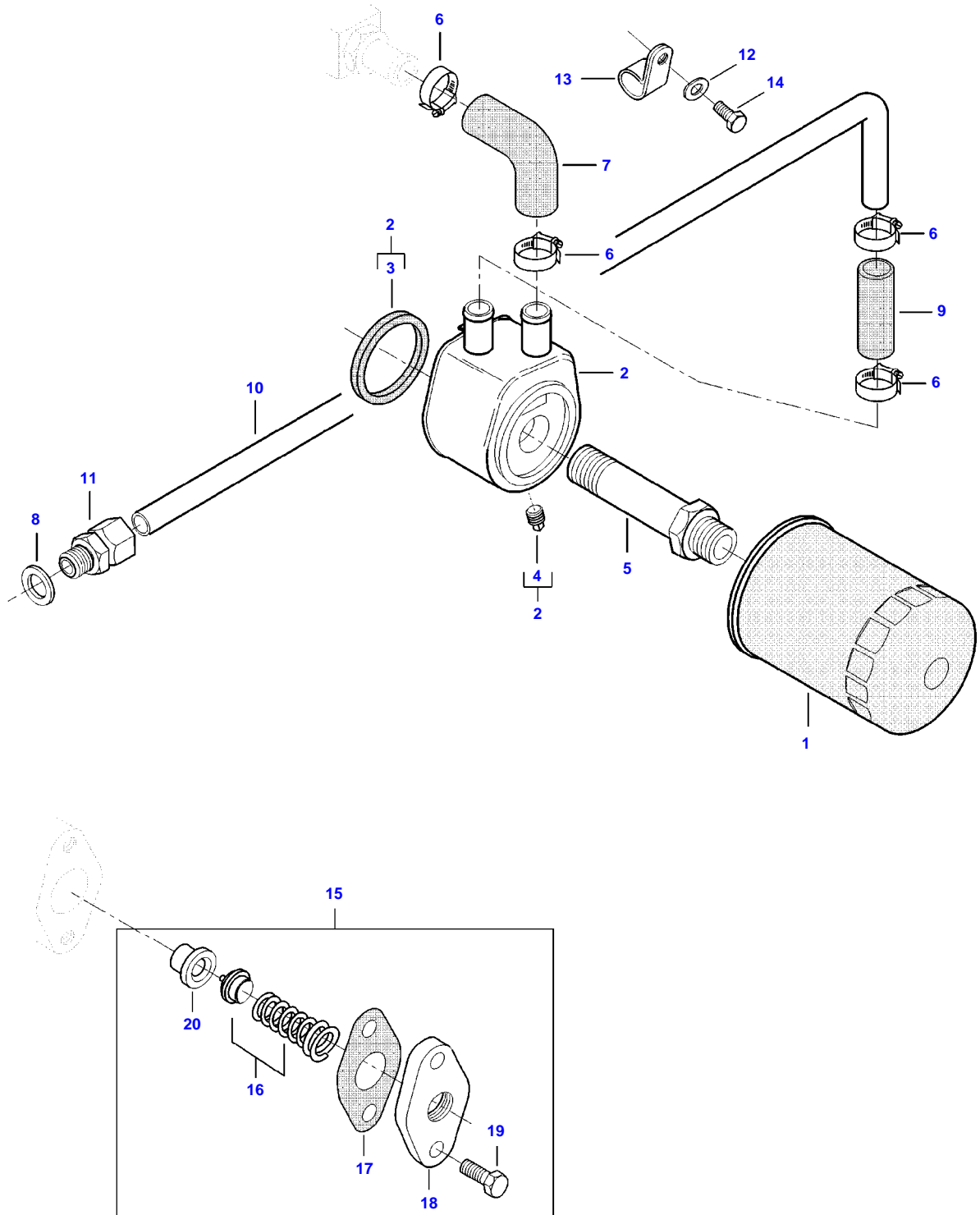


Item	Part Number	Qty	Description Comments
1	V836128794	1	OIL SUMP
2	V836107726	1	OIL SUMP GASKET [B]
3	V500950800	22	SPRING WASHER
4	V580804600	22	HEX SOCKET SCREW
5	V615881827	1	SEALING WASHER [B]
6	V836655493	1	PLUG
7	V836773146	1	LUBRICATING OIL PUMP
8	V836119796	1	GASKET (7) [B]
9	V528801382	4	HEX CAP SCREW (7)
10	V614702230	2	O-RING (7) [B]
11	V581805050	2	HEX SOCKET SCREW
12	V836773149	1	OIL PIPE
13	V836673150	1	SUPPORT
14	V581705000	1	HEX SOCKET SCREW
15	V602074522	1	RETAINER CLAMP
16	V581804602	5	HEX SOCKET SCREW
17	V836008449	2	GASKET [B]
18	V836759171	1	OIL PUMP SUCTION PIPE
19	V836884800	1	DIPSTICK
20	V614900615	1	O-RING (19) [B]
21	V837086369	1	OIL DIPSTICK GUIDE PIPE
22	V602063617	2	HOSE CLIP
23	V836119994	1	RUBBER HOSE
24	V528801382	1	HEX CAP SCREW
25	V602060612	1	RETAINER CLAMP
26	V510600802	1	NUT
27	V836652081	1	SUPPORT
28	V836007871		SHIM

AS REQUIRED, REFER TO WORKSHOP MANUAL

[B] INCLUDED IN COMPLETE ENGINE GASKET KIT 2

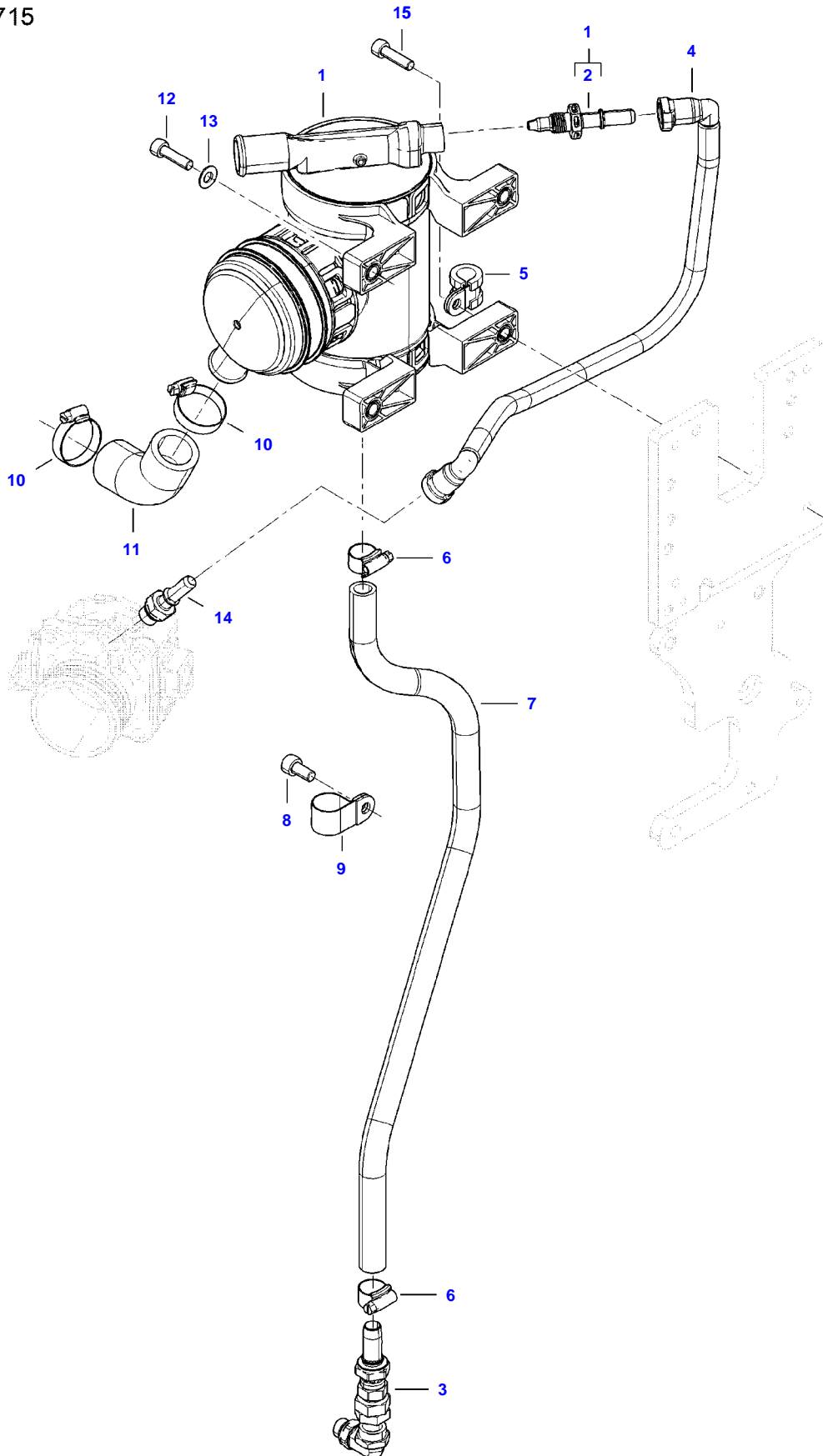
AP14B1333



OIL COOLER AND FILTER

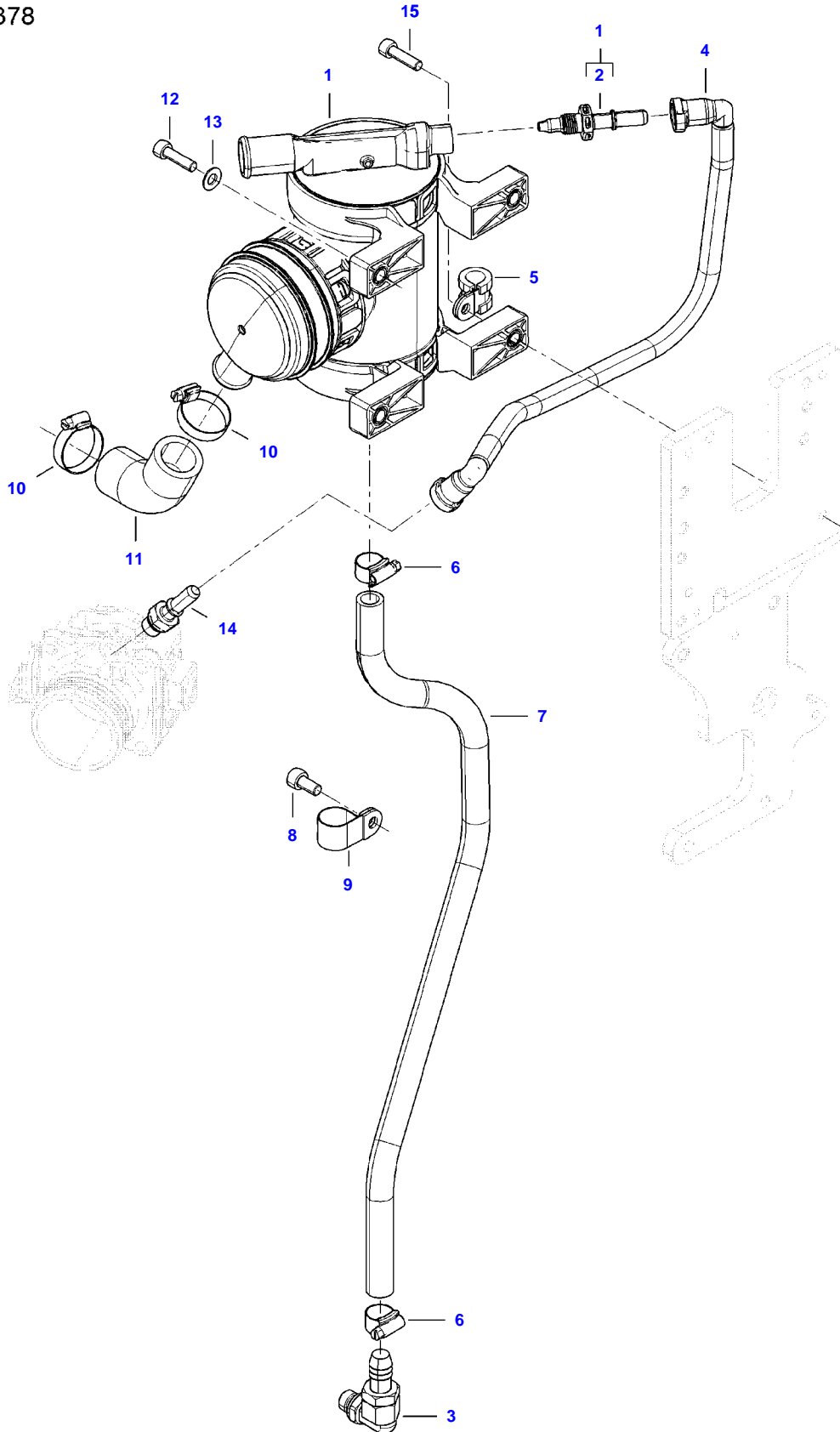
Item	Part Number	Qty	Description Comments
1	V836679586	1	ENGINE OIL FILTER
2	V836859699	1	OIL COOLER
3	V836862235	1	SEAL (2)
4	V640004004	1	PLUG (2)
5	V836859700	1	UNION
6	V602079516	4	HOSE CLIP
7	V836859899	1	RUBBER ELBOW
8	V836684772	1	SEALING WASHER [B]
9	V836673590	1	RUBBER HOSE
10	V836773587	1	PIPE
11	V641086015	1	STRAIGHT FITTING
12	V500150642	1	WASHER
13	V602074615	1	RETAINER CLAMP
14	V581804182	1	HEX SOCKET SCREW
15	V837091147	1	OIL PRESSURE CONTROL VALVE
16		1	NOT AVAILABLE AS SINGLE PART (15)
17	V836322190	1	GASKET (15) [B]
18	V837074289	1	COVER (15)
19	V528801382	2	HEX CAP SCREW (15)
20		1	NOT AVAILABLE AS SINGLE PART (15) [B] INCLUDED IN COMPLETE ENGINE GASKET KIT 2

AP15C2715



Item	Part Number	Qty	Description Comments
1	V837084879	1	CCV FILTER
2	V837091136	1	MALE COUPLER (1)
3	V837074234	1	CHECK VALVE
4	V837084190	1	AIR HOSE
5	V602060615	1	RETAINER CLAMP
6	V602087528	2	HOSE CLIP
7	V837074335	1	HOSE
8	V581804580	1	HEX SOCKET SCREW
9	V602074522	1	RETAINER CLAMP
10	V602078538	2	HOSE CLIP
11	V837074038	1	BREATHER HOSE
12	V581804630	3	HEX SOCKET SCREW
13	V500150842	3	WASHER
14	V837067936	1	QUICK COUPLER
15	V581804640	1	HEX SOCKET SCREW

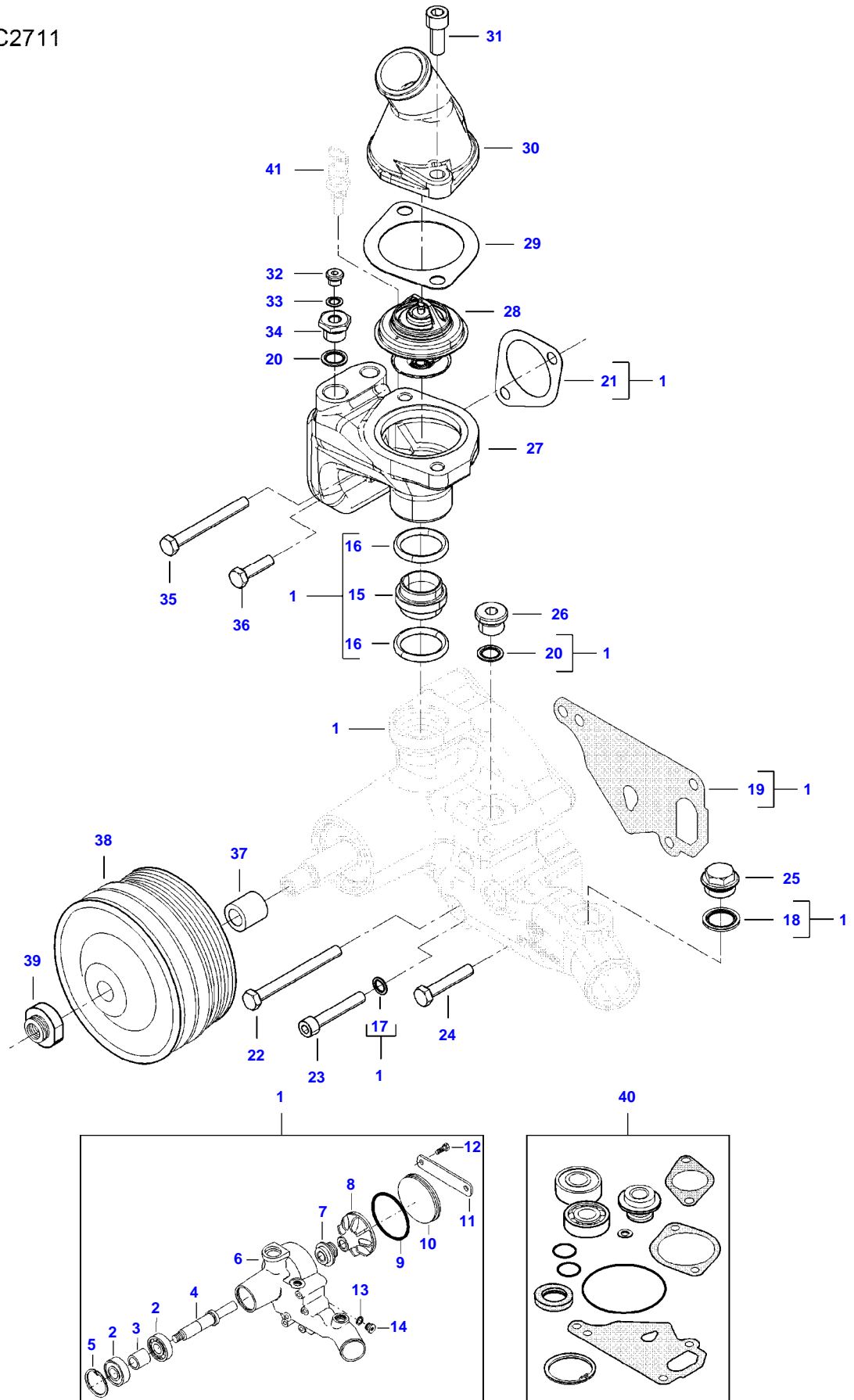
AP15C2378



Item	Part Number	Qty	Description Comments
1	V837084879	1	CCV FILTER
2	V837091136	1	MALE COUPLER (1)
3	V837084778	1	CHECK VALVE
4	V837084190	1	AIR HOSE
5	V602060615	1	RETAINER CLAMP
6	V602087528	2	HOSE CLIP
7	V837074329	1	HOSE
8	V581804580	1	HEX SOCKET SCREW
9	V602074522	1	RETAINER CLAMP
10	V602078538	2	HOSE CLIP
11	V837074038	1	BREATHER HOSE
12	V581804630	3	HEX SOCKET SCREW
13	V500150842	3	WASHER
14	V837067936	1	QUICK COUPLER
15	V581804640	1	HEX SOCKET SCREW

5185E COMBINE (STAGE 4 / TIER 4F) (551200001-043) (ZN205512X03000044-999)
 AP17C2711

AP17C2711



Item	Part Number	Qty	Description Comments
1	V837079840	1	WATER PUMP
2	V610063044	2	BALL BEARING (1),(40)
3	V836755964	1	SLEEVE (1)
4		1	NOT AVAILABLE AS SINGLE PART (1)
5	V617330052	1	LOCK RING (1),(40)
6		1	NOT AVAILABLE AS SINGLE PART (1)
7	V837073981	1	WATER PUMP CARTRIDGE GASKET (1),(40)
8		1	NOT AVAILABLE AS SINGLE PART (1)
9	V614610130	1	O-RING (1),(40)
10	V836767002	1	PLATE (1)
11	V837084370	1	PLATE (1)
12	V528801360	2	HEX CAP SCREW (1)
13	V615881420	1	SEALING WASHER (1),(40)
14	V640325014	1	PLUG (1)
15	V836873423	1	WATER PIPE (1)
16	V614602950	2	O-RING (1),(40)
17	V836015967	1	SEALING WASHER (1),(40)
18	V836684773	1	SEALING WASHER (1),(40)
19	V836120129	1	GASKET (1),(40)
20	V836684772	2	SEALING WASHER (1),(40)
21	ACW0403690	1	GASKET (1),(40)
22	V529801520	2	HEX CAP SCREW
23	V580704670	1	HEX SOCKET SCREW
24	V529801440	2	HEX CAP SCREW
25	V640045022	1	PLUG
26	V640325018	1	PLUG
27	V837070324	1	THERM. HOUSING
28	ACW2170430	1	THERMOSTAT
29	V836119849	1	GASKET [A]
30	V836119843	1	WATER PIPE
31	V581805020	2	HEX SOCKET SCREW
32	V640325110	1	SCREW PLUG
33	V836684768	1	SEALING WASHER [A]
34	V836359676	1	UNION

Item	Part Number	Qty	Description	Comments
35	V529801500	1	HEX CAP SCREW	
36	V528801402	1	HEX CAP SCREW	
37	V837086249	1	SPACER	
38	V836766659	1	WATER PUMP MULTI-RIBBED PULLEY	
39	V836759512	1	UNION	
40	V836762631	1	WATER PUMP REPAIR KIT	
41		1		
			SEE PAGE 01-0022	
			[A] INCLUDED IN CYLINDER HEAD GASKET KIT 1	
			[B] INCLUDED IN COMPLETE ENGINE GASKET KIT 2	

Thank you so much for reading.
Please click the “Buy Now!”
button below to download the
complete manual.



After you pay.

You can download the most
perfect and complete manual in
the world immediately.

Our support email:

ebooklibonline@outlook.com