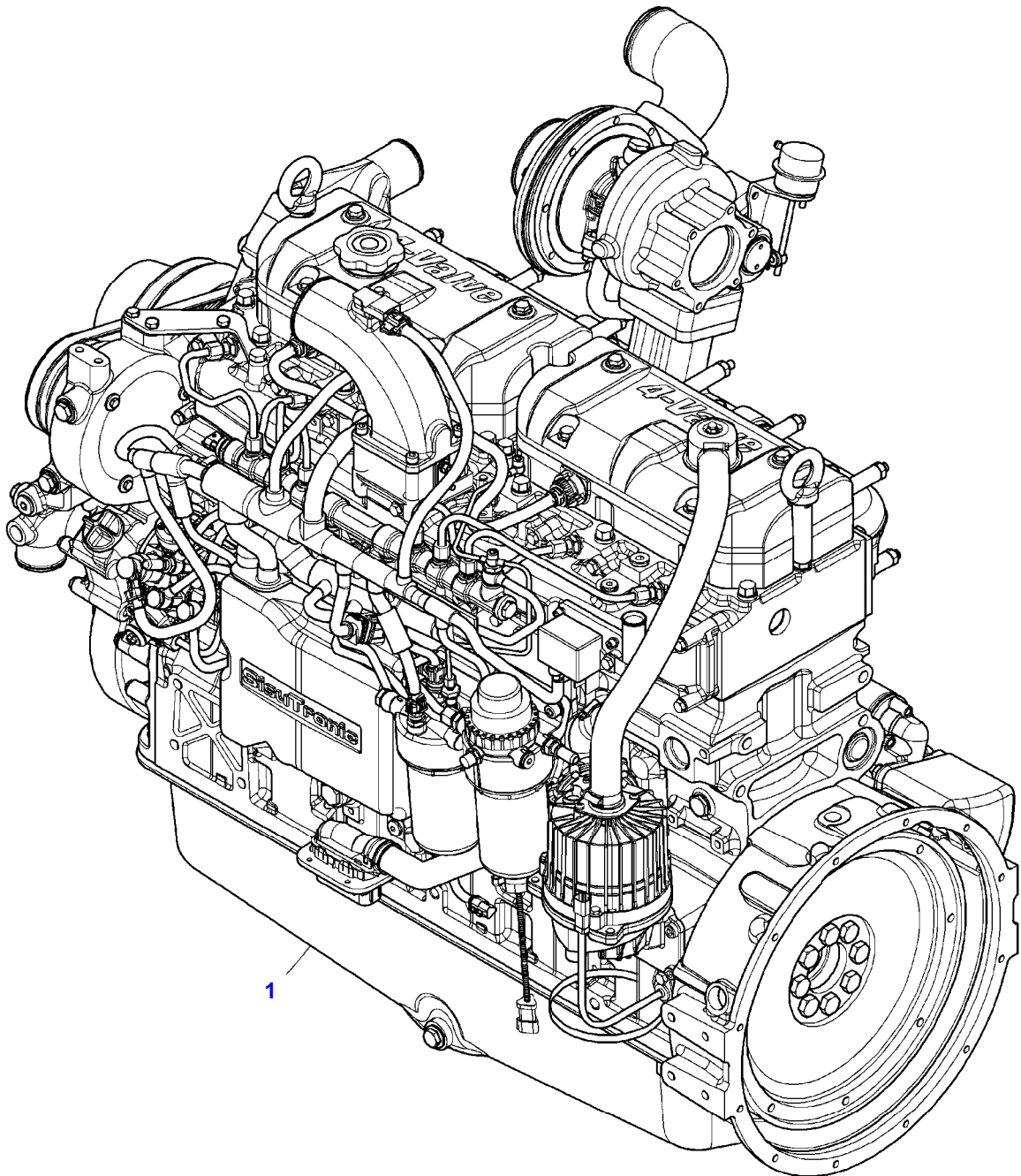


TABLE OF CONTENT

| Page Number | Page Title | Page Reference |
|-------------|-------------------------------------|----------------|
| 01-000-TOC | ENGINE | 01-000-TOC |
| 02-000-TOC | ENGINE INSTALLATION | 02-000-TOC |
| 03-000-TOC | DRIVE SYSTEM | 03-000-TOC |
| 04-000-TOC | AXLES | 04-000-TOC |
| 05-000-TOC | FRAME AND SUSPENSION | 05-000-TOC |
| 06-000-TOC | STEERING SYSTEM | 06-000-TOC |
| 07-000-TOC | DRIVE TRAIN SYSTEM | 07-000-TOC |
| 08-000-TOC | BRAKE SYSTEM | 08-000-TOC |
| 09-000-TOC | HYDRAULIC SYSTEM | 09-000-TOC |
| 10-000-TOC | ELECTRICAL SYSTEM | 10-000-TOC |
| 11-000-TOC | CAB | 11-000-TOC |
| 12-000-TOC | AIR CONDITIONING AND HEATING SYSTEM | 12-000-TOC |
| 13-000-TOC | CHASSIS | 13-000-TOC |
| 14-000-TOC | DECALS | 14-000-TOC |
| 15-000-TOC | WHEELS | 15-000-TOC |
| 16-000-TOC | FEEDING SYSTEM | 16-000-TOC |
| 17-000-TOC | THRESHING SYSTEM | 17-000-TOC |
| 18-000-TOC | CLEANING SYSTEM | 18-000-TOC |
| 19-000-TOC | GRAIN BIN AND ELEVATOR SYSTEM | 19-000-TOC |
| 20-000-TOC | DISCHARGE SYSTEM | 20-000-TOC |
| 21-000-TOC | ATTACHMENTS | 21-000-TOC |
| 22-000-TOC | ACCESSORIES | 22-000-TOC |

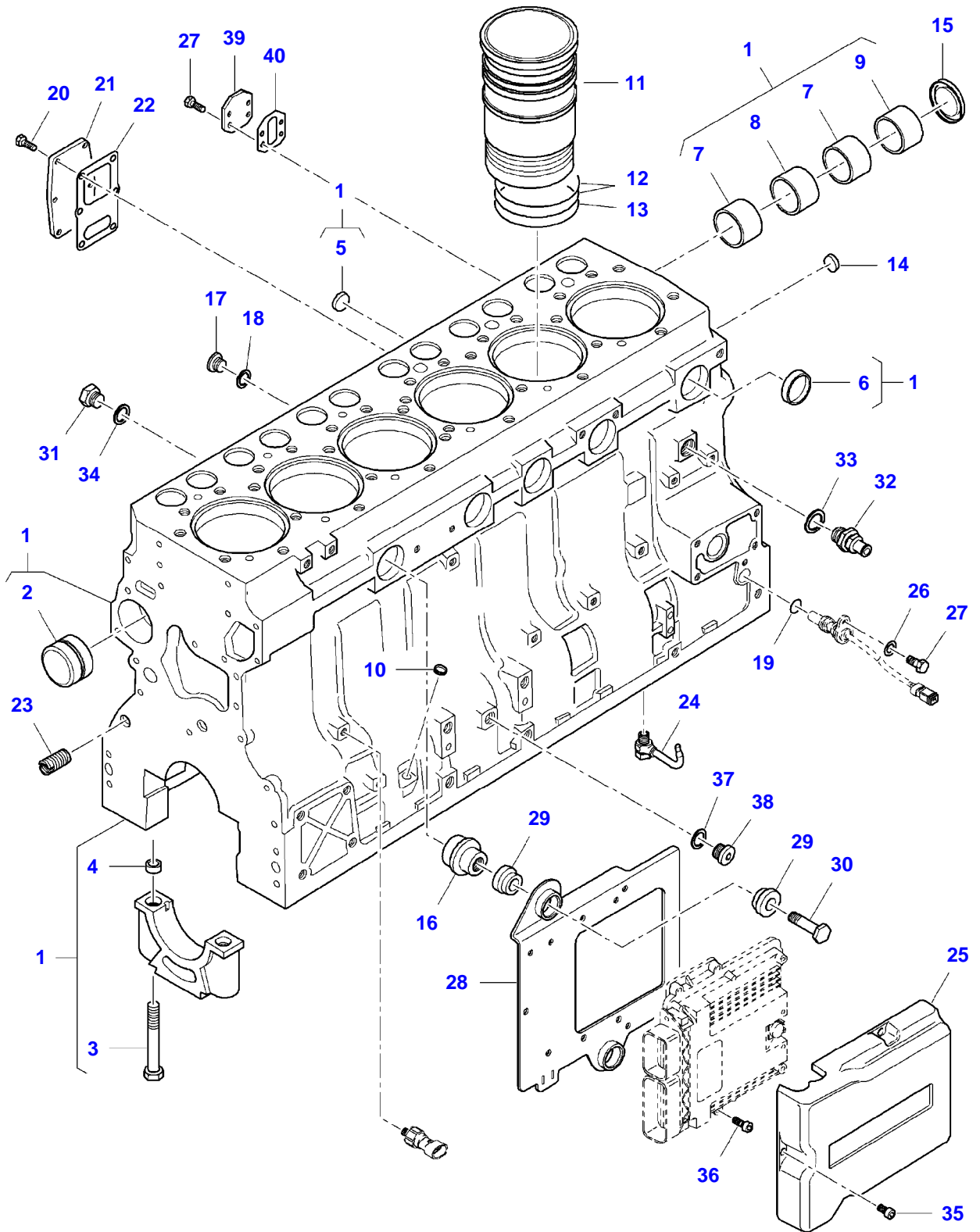
ENGINE

| Page Number | Page Title | Page Reference |
|-------------|---|----------------|
| 01-0001 | ENGINE ASSEMBLIES | HB01L004-1 |
| 01-0002 | CYLINDER BLOCK | HB51L002-1 |
| 01-0003 | TIMING GEARS AND HOUSING | HB52L001-1 |
| 01-0004 | FLYWHEEL AND HOUSING | LA40L001-1 |
| 01-0005 | CRANKSHAFT AND PISTONS | HB53L002-1 |
| 01-0006 | CAMSHAFT AND VALVE MECHANISM | HB54L001-1 |
| 01-0007 | CYLINDER HEAD | HB55L001-1 |
| 01-0008 | AIR INTAKE & EXHAUST | HB56L002-1 |
| 01-0009 | TURBOCHARGER | LA21L002-1 |
| 01-0010 | OIL PUMP AND SUMP | LC30L003-1 |
| 01-0011 | OIL COOLER AND FILTER | HB12L001-1 |
| 01-0012 | CLOSED CRANKCASE VENTILATION (CCV) | LA61L001-1 |
| 01-0013 | COOLANT PUMP AND THERMOSTAT UP TO ENGINE S/N Z23464 | LE17L005-1 |
| 01-0014 | COOLANT PUMP AND THERMOSTAT FROM ENGINE S/N Z23465 | LE17L007-1 |
| 01-0015 | FUEL INJECTION SYSTEM | LE26L003-1 |
| 01-0016 | FUEL FILTERS | LC54L012-1 |
| 01-0017 | ELECTRONIC ENGINE MANAGEMENT | HB58L002-1 |
| 01-0018 | ALTERNATOR | HB59L001-1 |
| 01-0019 | STARTER MOTOR | LE13L004-1 |
| 01-0020 | FAN DRIVE | HB23L001-1 |
| 01-0021 | EXHAUST AFTERTREATMENT | HB60L001-1 |
| 01-0022 | ENGINE OVERHAUL PARTS | HB31L007-1 |
| 01-0023 | ENGINE OVERHAUL PARTS | HB61L002-1 |



| Item | Part Number | Qty | Description Comments | Technical Specification |
|------|-------------|-----|---|-------------------------|
| 1 | V835276535 | 1 | ENGINE | 84 AWI |
| 2 | V865276535X | 1 | SHORT BLOCK ENGINE [A] | |
| 3 | V865276535V | 1 | LONG BLOCK ENGINE [A] [A] NOT ILLUSTRATED | |

6335C COMBINE (STAGE 3B / TIER 4I) (564000111-999)
8024522-F5-1

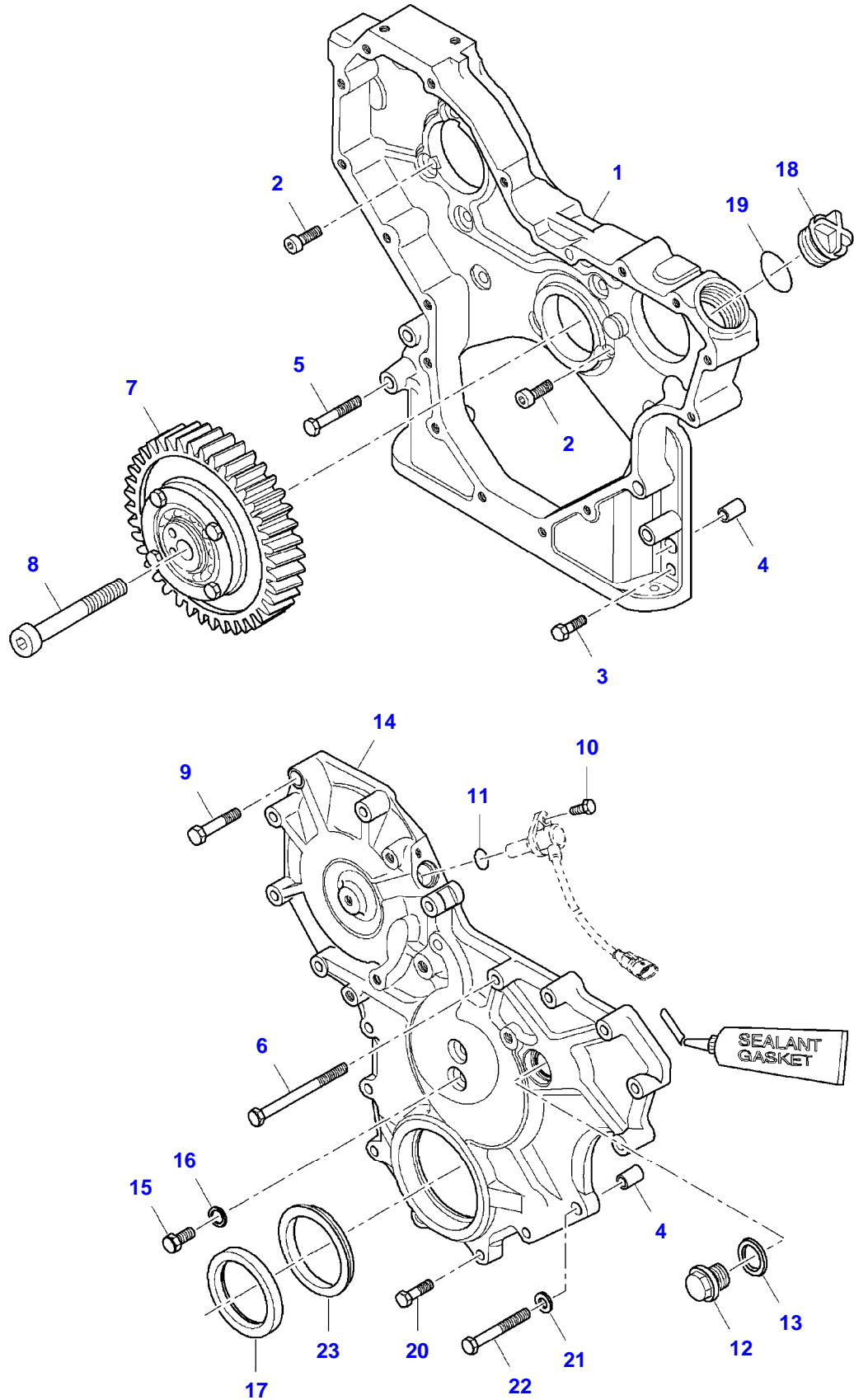


CYLINDER BLOCK

| Item | Part Number | Qty | Description Comments | Technical Specification |
|------|-------------|-----|------------------------------|-------------------------|
| 1 | V836873095 | 1 | CYLINDER BLOCK | |
| 2 | V836866069 | 1 | CAMSHAFT BEARING BUSH | |
| | V836866036 | X | CAMSHAFT BEARING BUSH | + 0.40 MM |
| 3 | V835329030 | 14 | HEX CAP SCREW | |
| 4 | V836214478 | 24 | GUIDE SLEEVE | |
| 5 | V640016018 | 1 | CUP PLUG | |
| 6 | V640016040 | 4 | CUP PLUG | |
| 7 | V836852460 | 2 | CAMSHAFT BEARING BUSH | |
| 8 | V836852459 | 1 | CAMSHAFT BEARING BUSH | |
| 9 | V836852461 | 1 | CAMSHAFT BEARING BUSH | |
| 10 | V640016012 | 1 | CUP PLUG | |
| 11 | V836867048 | 6 | LINER | |
| | V836867050 | X | LINER | FLANGE HEIGHT + 0.05 MM |
| 12 | V836855446 | 12 | CYLINDER LINER O-RING [A] | |
| 13 | V836855447 | 6 | CYLINDER LINER O-RING [A] | |
| 14 | V640016016 | 2 | CUP PLUG | |
| 15 | V836852744 | 1 | PLUG | |
| 16 | V837069057 | 1 | PLUG | |
| 17 | V640325110 | 5 | SCREW PLUG | |
| 18 | V615871014 | 5 | SEALING WASHER [A] | |
| 19 | V614601524 | 1 | O-RING | |
| 20 | V528801380 | 6 | HEX CAP SCREW | |
| 21 | V836855678 | 1 | COVER | |
| 22 | V836322852 | 1 | GASKET [A] | |
| 23 | V836859153 | 1 | THREADED BUSH | |
| 24 | V837074224 | 6 | PISTON COOLING JET | |
| 25 | V837073901 | 1 | COVER | |
| 26 | V500050840 | 1 | FLAT WASHER | |
| 27 | V528801362 | 5 | HEX CAP SCREW | |
| 28 | V837073900 | 1 | ECU BRACKET | |
| 29 | V837074327 | 6 | RUBBER BUSH | |
| 30 | V837069056 | 3 | HEX CAP SCREW | |
| 31 | V836119079 | 1 | PLUG | |
| 32 | V836664377 | 1 | DRAIN VALVE | |
| 33 | V615881824 | 1 | SEALING WASHER [A] | |
| 34 | V615881620 | 1 | SEALING WASHER [A] | |
| 35 | V581804182 | 3 | HEX SOCKET SCREW | |
| 36 | V581804202 | 4 | HEX SOCKET SCREW | |
| 37 | V615881420 | 1 | SEALING WASHER [A] | |
| 38 | V640325014 | 1 | PLUG | |
| 39 | V836866957 | 1 | COVER | |
| 40 | V836866958 | 1 | GASKET [A] | |

[A] INCLUDED IN KIT V837079464

6335C COMBINE (STAGE 3B / TIER 4I) (564000111-999)
8024545-F5-1

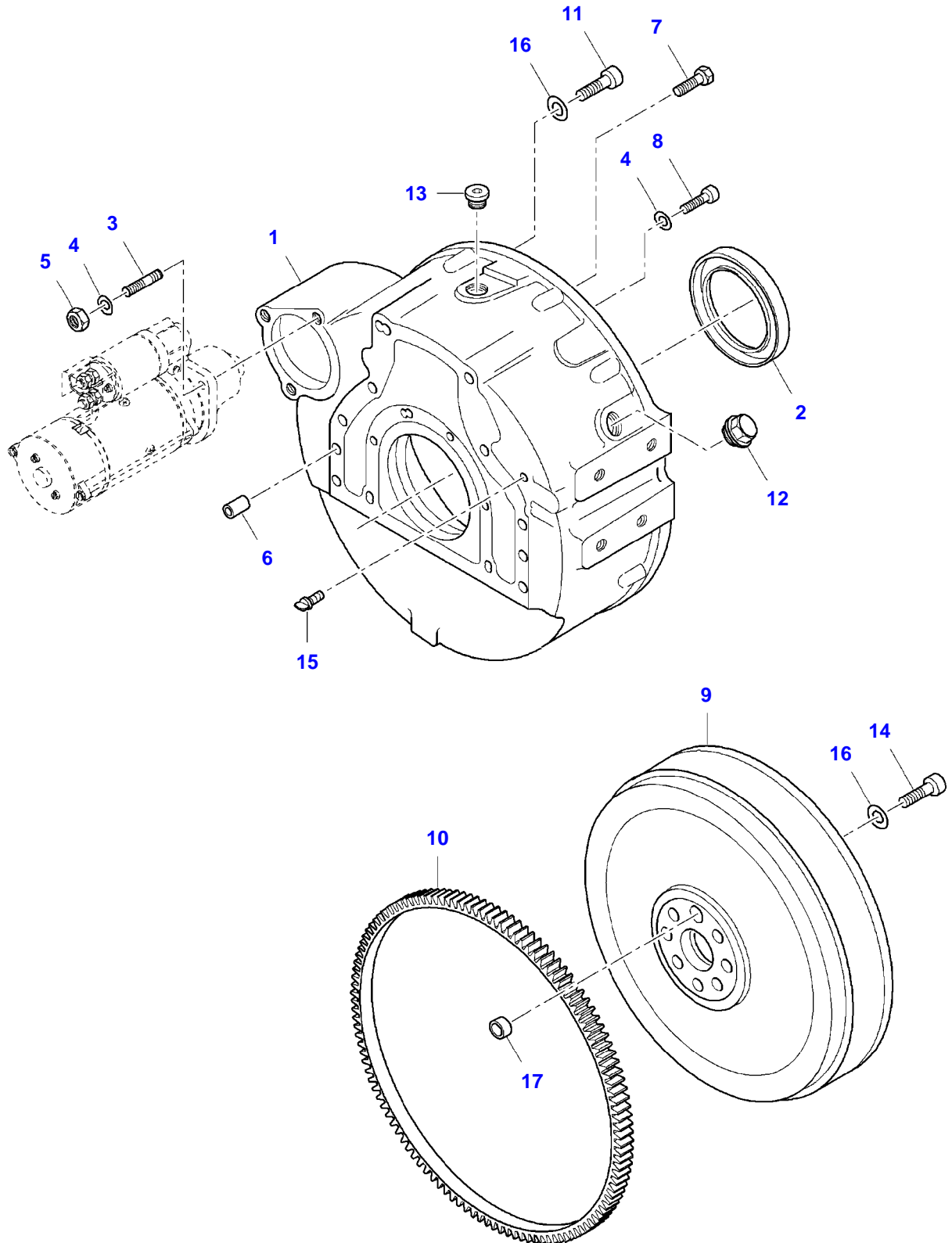


TIMING GEARS AND HOUSING

| Item | Part Number | Qty | Description Comments |
|------|-------------|-----|--------------------------|
| 1 | V837073565 | 1 | TIMING GEAR CASE |
| 2 | V581804600 | 10 | HEX SOCKET SCREW |
| 3 | V528801400 | 2 | HEX CAP SCREW |
| 4 | V598359850 | 3 | PIN |
| 5 | V529801470 | 3 | HEX CAP SCREW |
| 6 | V529801540 | 1 | HEX CAP SCREW |
| 7 | V837073583 | 1 | IDLER GEAR |
| 8 | V581705910 | 1 | HEX SOCKET SCREW |
| 9 | V529801440 | 9 | HEX CAP SCREW |
| 10 | V528801062 | 1 | HEX CAP SCREW |
| 11 | V614601718 | 1 | O-RING |
| 12 | V640045022 | 1 | PLUG |
| 13 | V615882227 | 1 | SEALING WASHER [B] |
| 14 | V837073566 | 1 | GEAR HOUSING FRONT COVER |
| 15 | V528801380 | 2 | HEX CAP SCREW |
| 16 | V615870814 | 2 | SEALING WASHER [B] |
| 17 | V836840883 | 1 | CRANKSHAFT SEAL [A] |
| | V836840883 | 1 | CRANKSHAFT SEAL [B] |
| 18 | V836017927 | 1 | CAP |
| 19 | V614603540 | 1 | O-RING [B] |
| 20 | V528801410 | 6 | HEX CAP SCREW |
| 21 | V836120989 | 1 | WASHER |
| 22 | V529801520 | 1 | HEX CAP SCREW |
| 23 | V836855636 | 1 | SHIELD |

[A] INCLUDED IN KIT V837079467
[B] INCLUDED IN KIT V837079464

6335C COMBINE (STAGE 3B / TIER 4I) (564000111-999)
8024546-F5-1



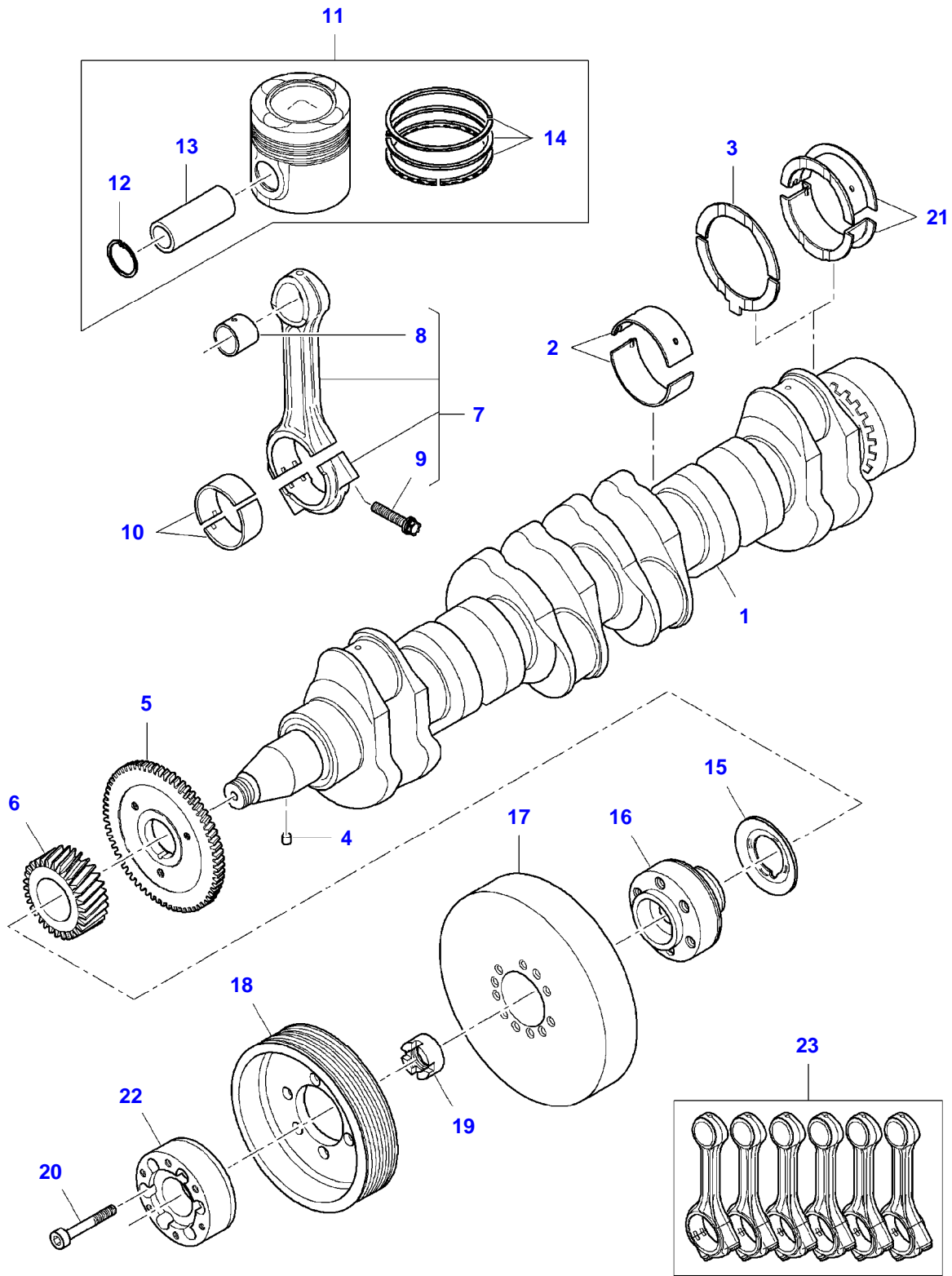
FLYWHEEL AND HOUSING

| Item | Part Number | Qty | Description Comments |
|------|-------------|-----|-------------------------|
| 1 | V836647440 | 1 | FLYWHEEL HOUSING |
| 2 | V837079706 | 1 | CRANKSHAFT SEAL [B] |
| 3 | V546801815 | 3 | STUD BOLT |
| 4 | V500951000 | 6 | SPRING WASHER |
| 5 | V504601000 | 3 | NUT |
| 6 | V598359850 | 2 | PIN |
| 7 | V528902220 | 6 | HEX CAP SCREW |
| 8 | V581705030 | 6 | HEX SOCKET SCREW |
| 9 | V836864270 | 1 | FLYWHEEL |
| 10 | V836117970 | 1 | STARTER RING |
| 11 | V581705440 | 2 | HEX SOCKET SCREW |
| 12 | V640045126 | 1 | PLUG |
| 13 | V640325018 | 1 | PLUG |
| 14 | V528702620 | 8 | HEX CAP SCREW |
| 15 | V836859311 | 1 | PLUG |
| 16 | V500951200 | 1 | SPRING WASHER |
| 17 | | | |

PART NOT USED

[B] INCLUDED IN KIT V837079464

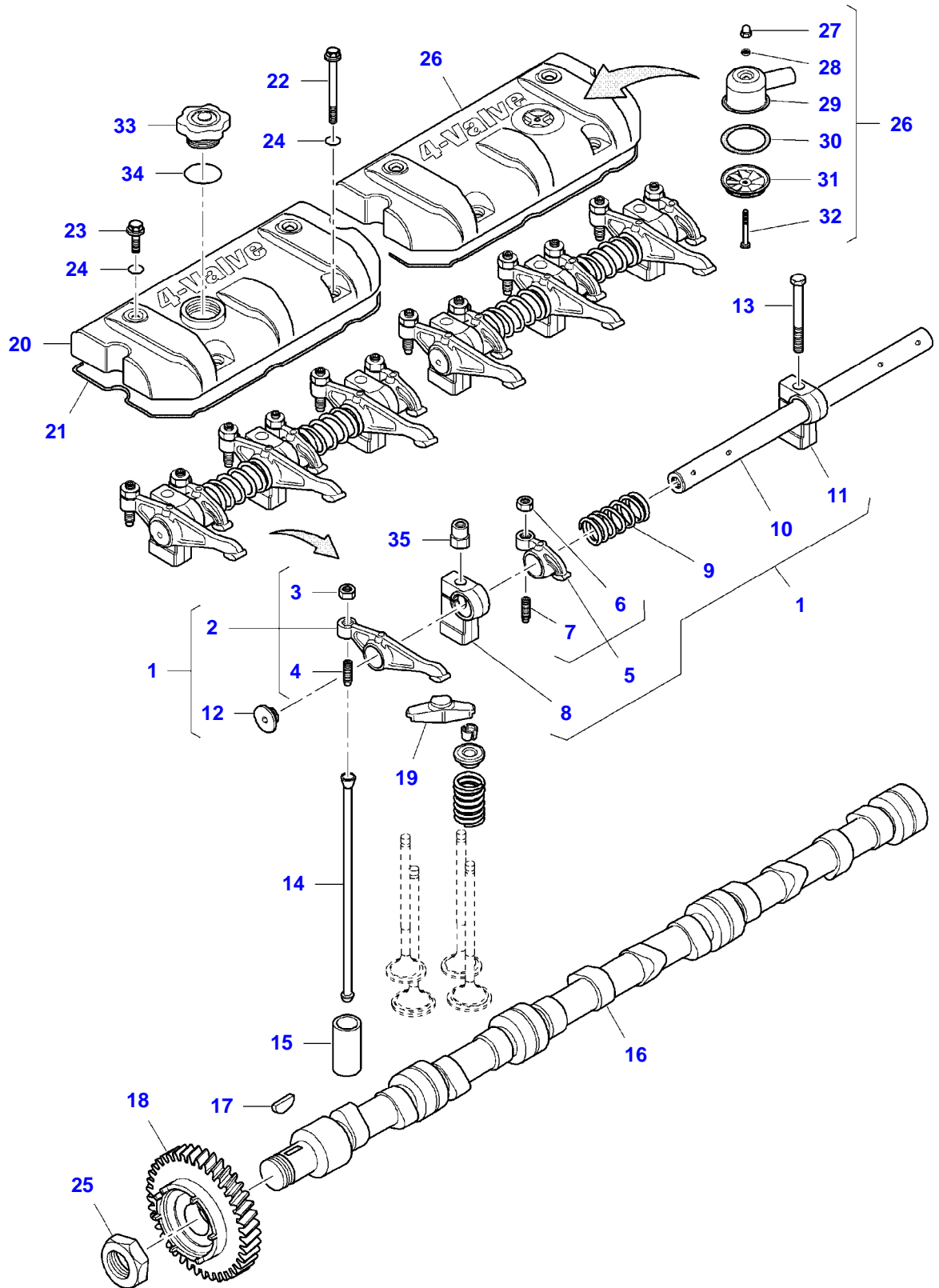
6335C COMBINE (STAGE 3B / TIER 4I) (564000111-999)
8024523-F5-1



CRANKSHAFT AND PISTONS

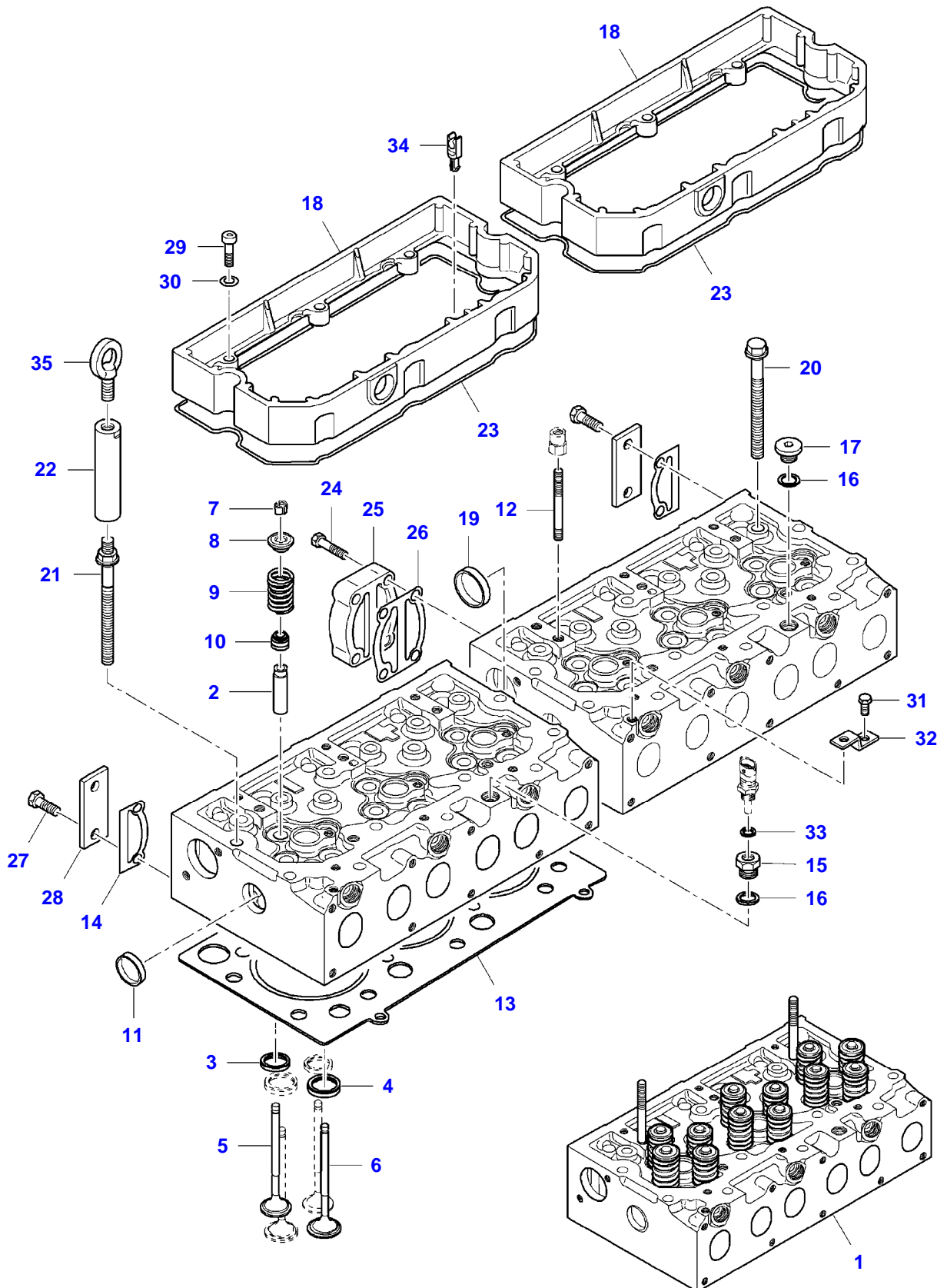
| Item | Part Number | Qty | Description Comments | Technical Specification |
|------|-------------|-----|--|-------------------------|
| 1 | V837073996 | 1 | CRANKSHAFT | |
| 2 | V836840944 | 6 | MAIN BEARING n° 1...6 STD | STD |
| | V836840978 | X | MAIN BEARING 89,735 mm 89,770 mm | + 0.25 MM |
| | V836840979 | X | MAIN BEARING 89,485 mm 89,520 mm | + 0.50 MM |
| | V836840980 | X | MAIN BEARING 88,985 mm 89,020 mm | |
| | V836840981 | X | MAIN BEARING 88,485 mm 88,520 mm | |
| 3 | V836840945 | 2 | THRUST WASHER | |
| | V836840982 | X | THRUST WASHER | + 0.10 MM |
| | V836840983 | X | THRUST WASHER | + 0.20 MM |
| 4 | V836867857 | 1 | KEY | |
| 5 | V836874040 | 1 | GEAR,CRANKSHAFT STANDARD | |
| 6 | V837073560 | 1 | GEAR,CRANKSHAFT | |
| 7 | NS | 6 | NON-SERVICEABLE PART | |
| 8 | V836864288 | 6 | BEARING BUSH | |
| | V836338606 | X | BEARING BUSH | + 0.50 MM |
| 9 | V836873510 | 12 | CONNECTING ROD BOLT | |
| 10 | V837062996 | 6 | CONROD BEARING | |
| | V836338650 | X | BEARING SHELL 72,731 mm 72,750 mm | +0.25 |
| | V836338651 | X | BEARING SHELL 72,481 mm 72,500 mm | |
| | V836338652 | X | BEARING SHELL 71,981 mm 72,000 mm | |
| | V836338653 | X | BEARING SHELL 71,481 mm 71,500 mm | |
| 11 | V837074083 | 6 | PISTON | |
| 12 | NS | 2 | NON-SERVICEABLE PART | |
| 13 | NS | 1 | NON-SERVICEABLE PART | |
| 14 | V837079459 | 1 | PISTON RING KIT | |
| 15 | V836855637 | 1 | RING | |
| 16 | V837073679 | 1 | CRANKSHAFT HUB | |
| 17 | V836884616 | 1 | CRANKSHAFT VIBRATION DAMPENER | |
| 18 | V836867472 | 1 | PULLEY | |
| 19 | V836847641 | 1 | CRANKSHAFT NUT | |
| 20 | V581705490 | 6 | HEX SOCKET SCREW | |
| 21 | V836879152 | 1 | MAIN BEARING N°7 STD 89,985...90,020 | STD |
| 22 | V837070345 | 1 | SPACER | |
| 23 | V837079475 | 1 | CONNECTING ROD KIT | |

6335C COMBINE (STAGE 3B / TIER 4I) (564000111-999)
8024548-F5-1



| Item | Part Number | Qty | Description Comments |
|------|-------------|-----|--|
| 1 | V837069016 | 2 | ROCKER SHAFT ASM |
| 2 | V837069011 | 6 | ROCKER ARM |
| 3 | V512861000 | 6 | NUT |
| 4 | V837069023 | 6 | VALVE ROCKER ADJUSTMENT SCREW |
| 5 | V837069013 | 6 | ROCKER ARM |
| 6 | V512861000 | 6 | NUT |
| 7 | V837069023 | 6 | VALVE ROCKER ADJUSTMENT SCREW |
| 8 | V837069017 | 4 | ROCKER SHAFT BRACKET |
| 9 | V837069019 | 4 | SPRING |
| 10 | V837069015 | 2 | SHAFT |
| 11 | V837069018 | 2 | ROCKER SHAFT BRACKET |
| 12 | V837069020 | 4 | PLUG |
| 13 | V529801910 | 2 | HEX CAP SCREW |
| 14 | V837069014 | 12 | PUSH ROD |
| 15 | V836014264 | 12 | TAPPET |
| 16 | V837069101 | 1 | CAMSHAFT |
| 17 | V603305760 | 1 | WOODRUFF KEY |
| 18 | V837073562 | 1 | GEAR,CAMSHAFT |
| 19 | V837073089 | 12 | VALVE BRIDGE |
| 20 | V837070447 | 1 | VALVE ROCKER COVER |
| 21 | V837067881 | 2 | VALVE ROCKER COVER GASKET [B] |
| 22 | V540801910 | 4 | HEXAGON FLANGE BOLT |
| 23 | V540801780 | 4 | HEXAGON FLANGE BOLT |
| 24 | V614901030 | 8 | O-RING [B] |
| 25 | V837069085 | 1 | NUT |
| 26 | V837070452 | 1 | VALVE ROCKER COVER |
| 27 | V519600602 | 1 | NUT |
| 28 | V836667508 | 1 | SEALING WASHER |
| 29 | V837070442 | 1 | BREATHER CAP |
| 30 | V836667459 | 1 | GASKET |
| 31 | V837070443 | 1 | BREATHER |
| 32 | V528801172 | 1 | HEX CAP SCREW |
| 33 | V836659968 | 1 | OIL FILLER CAP |
| 34 | V614704850 | 1 | O-RING [A] |
| 35 | V836655406 | 4 | SLEEVE NUT [A] INCLUDED IN KIT V837079466 [B] INCLUDED IN KIT V837079463 |

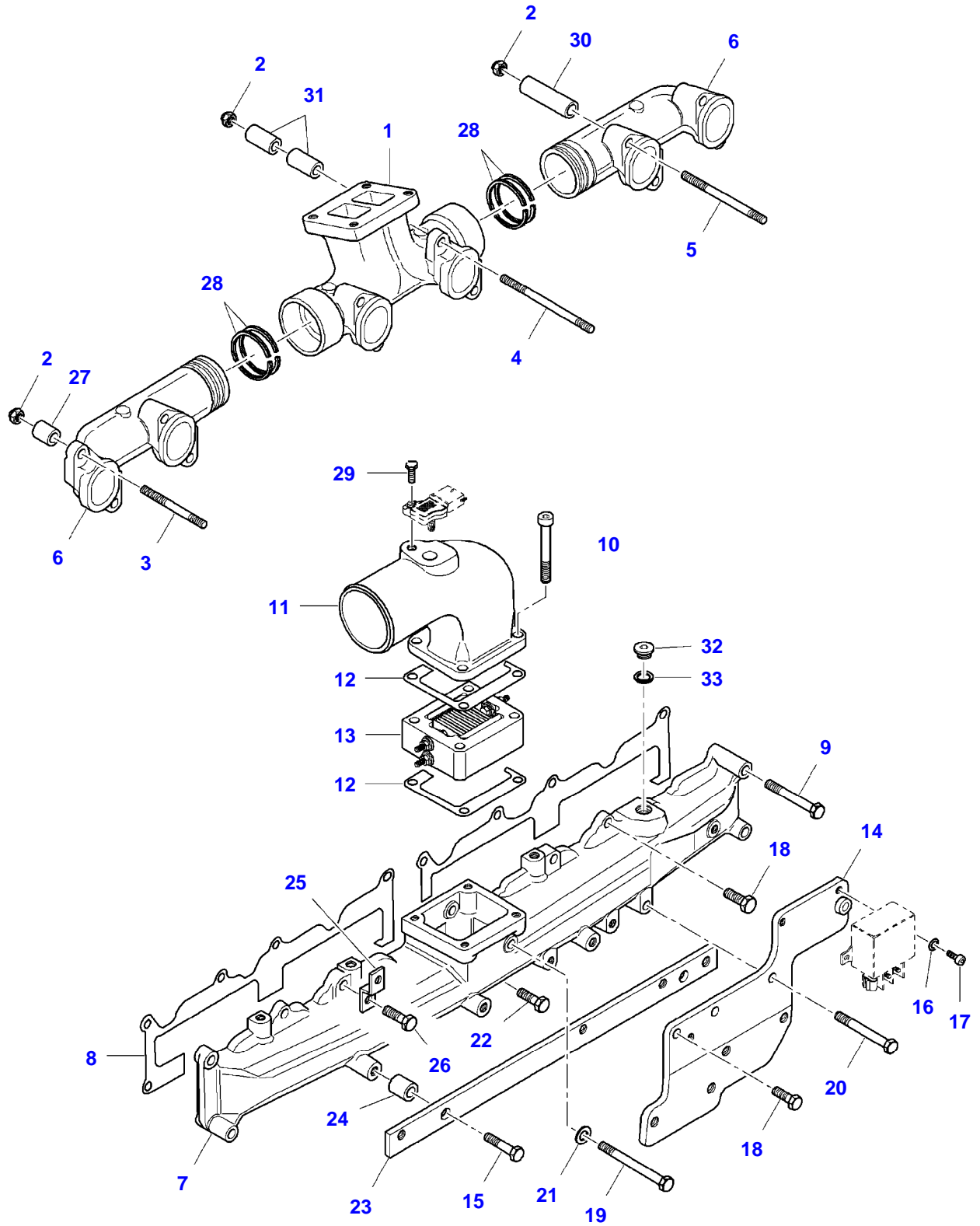
6335C COMBINE (STAGE 3B / TIER 4I) (564000111-999)
8024637-F5-1



CYLINDER HEAD

| Item | Part Number | Qty | Description Comments | Technical Specification |
|------|-------------|-----|--|-------------------------|
| 1 | V837073233 | 2 | CYLINDER HEAD INCLUDES ITEMS 2-12 | |
| 2 | V837073174 | 24 | VALVE GUIDE | |
| 3 | V837064907 | 12 | VALVE SEAT | STD 4V EXHAUST |
| | V837070187 | X | VALVE SEAT | 4V EXHAUST + 0.20 MM |
| 4 | V837064908 | 12 | VALVE SEAT | STD 4V INTAKE |
| | V837070188 | X | VALVE SEAT | 4V INTAKE + 0.20 MM |
| 5 | V837069002 | 12 | EXHAUST VALVE | |
| 6 | V837069003 | 12 | INTAKE VALVE | |
| 7 | V837064910 | 48 | COTTER | |
| 8 | V837069004 | 24 | SPRING PLATE | |
| 9 | V837069005 | 24 | VALVE SPRING | |
| 10 | V837073165 | 24 | VALVE STEM GASKET [B] | |
| 11 | V836647942 | 8 | CUP PLUG | |
| 12 | V546801900 | 4 | STUD BOLT | |
| 13 | V837070290 | 2 | CYLINDER HEAD GASKET [B] | |
| 14 | V836867753 | 2 | GASKET [B] | |
| 15 | V836119643 | 1 | THREADED NIPPLE | |
| 16 | V615881822 | 2 | SEALING WASHER [B] | |
| 17 | V640325018 | 1 | PLUG | |
| 18 | V837084220 | 2 | VALVE ROCKER COVER FRAME | |
| 19 | V640016045 | 1 | CUP PLUG | |
| 20 | V837069025 | 32 | CYLINDER HEAD BOLT | |
| 21 | V837073571 | 2 | CYLINDER HEAD BOLT | |
| 22 | V836867567 | 2 | LIFTING EYE EXTENSION | |
| 23 | V837067881 | 2 | VALVE ROCKER COVER GASKET [B] | |
| 24 | V528801830 | 4 | HEX CAP SCREW | |
| 25 | V836855348 | 1 | CONNECTION FLANGE | |
| 26 | V836867752 | 1 | GASKET [B] | |
| 27 | V528801800 | 4 | HEX CAP SCREW | |
| 28 | V836855350 | 2 | BLOCK OFF PLATE | |
| 29 | V581804630 | 6 | HEX SOCKET SCREW | |
| 30 | V500950800 | 6 | SPRING WASHER | |
| 31 | V528801360 | 1 | HEX CAP SCREW | |
| 32 | V836747849 | 1 | SUPPORT | |
| 33 | V615881418 | 1 | SEALING WASHER [B] | |
| 34 | V837073227 | 4 | BAND | |
| 35 | V836640752 | 2 | LIFT EYE [B] INCLUDED IN KIT V837079463 | |

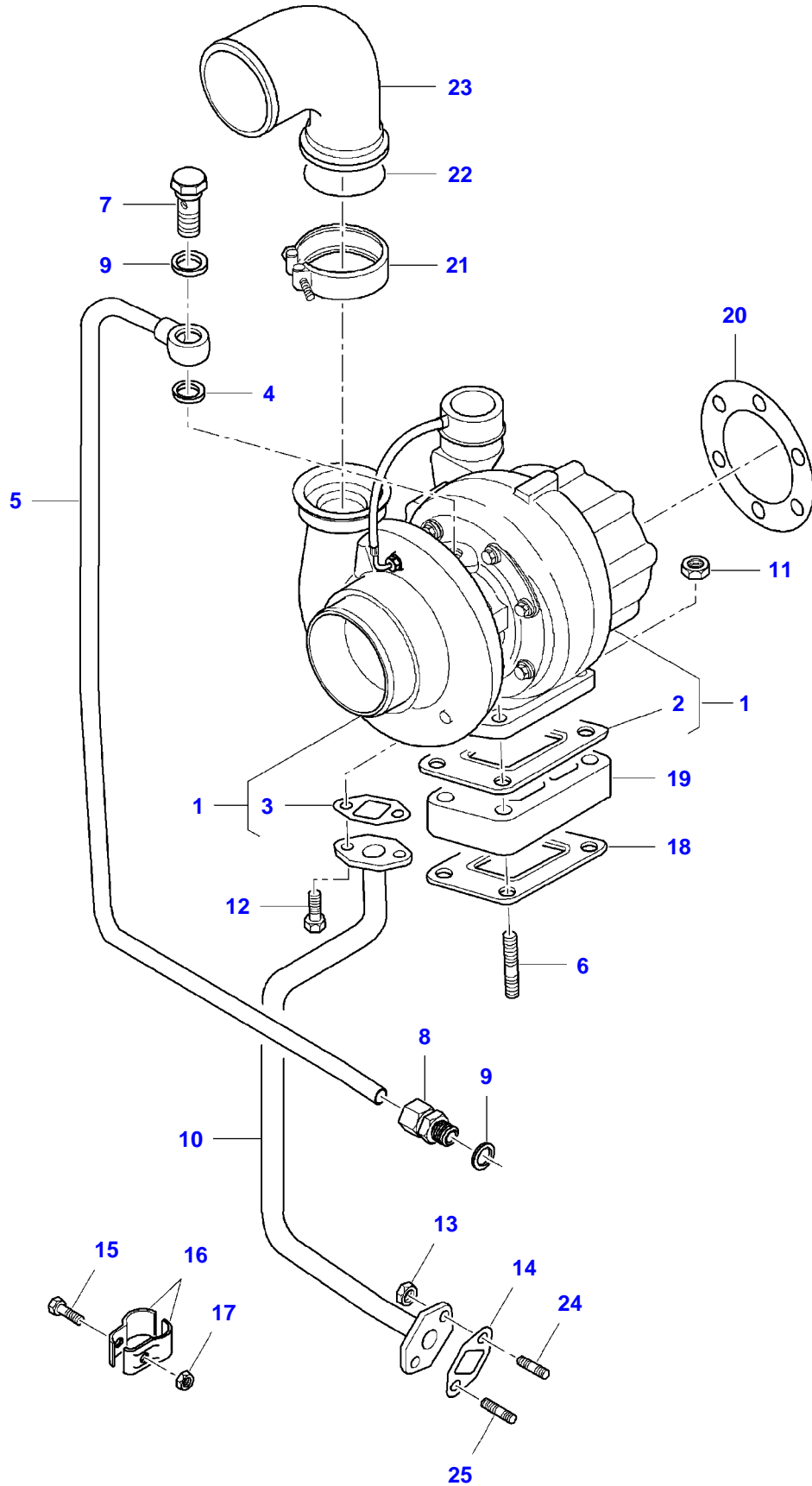
6335C COMBINE (STAGE 3B / TIER 4I) (564000111-999)
8024940-F5-1



| Item | Part Number | Qty | Description Comments |
|------|-------------|-----|-------------------------------|
| 1 | V836873440 | 1 | EXHAUST MANIFOLD |
| 2 | V513601002 | 12 | NUT |
| 3 | V836859188 | 2 | STUD BOLT |
| 4 | V836667960 | 1 | STUD BOLT |
| 5 | V836859034 | 9 | STUD BOLT |
| 6 | V836873441 | 2 | EXHAUST MANIFOLD |
| 7 | V837070219 | 1 | INTAKE MANIFOLD |
| 8 | V837069009 | 2 | INTAKE MANIFOLD GASKET [A] |
| 9 | V529801470 | 3 | HEX CAP SCREW |
| 10 | V581804702 | 4 | HEX SOCKET SCREW |
| 11 | V836867579 | 1 | AIR PIPE |
| 12 | V837067345 | 2 | GASKET [A] |
| 13 | V837067295 | 1 | INTAKE AIR PREHEATER |
| 14 | V837074029 | 1 | BRACKET |
| 15 | V529801440 | 2 | HEX CAP SCREW |
| 16 | V500050642 | 2 | WASHER |
| 17 | V581804182 | 2 | HEX SOCKET SCREW |
| 18 | V528801400 | 4 | HEX CAP SCREW |
| 19 | V529801550 | 1 | HEX CAP SCREW |
| 20 | V529801530 | 2 | HEX CAP SCREW |
| 21 | V836015967 | 1 | SEALING WASHER [A] |
| 22 | V528801410 | 7 | HEX CAP SCREW |
| 23 | V837073959 | 1 | SUPPORT |
| 24 | V836119384 | 2 | SPACER PIECE |
| 25 | V836747849 | 1 | SUPPORT |
| 26 | V528801420 | 1 | HEX CAP SCREW |
| 27 | V836664012 | 2 | SPACER PIECE |
| 28 | V837073503 | 4 | SEALING RING |
| 29 | V528801082 | 1 | HEX CAP SCREW |
| 30 | V837073052 | 9 | SPACER PIECE |
| 31 | V836664013 | 2 | SPACER PIECE |
| 32 | V640325014 | 1 | PLUG |
| 33 | V615881420 | 1 | SEALING WASHER |

[A] INCLUDED IN KIT V837079463

6335C COMBINE (STAGE 3B / TIER 4I) (564000111-999)
8024941-F5-1

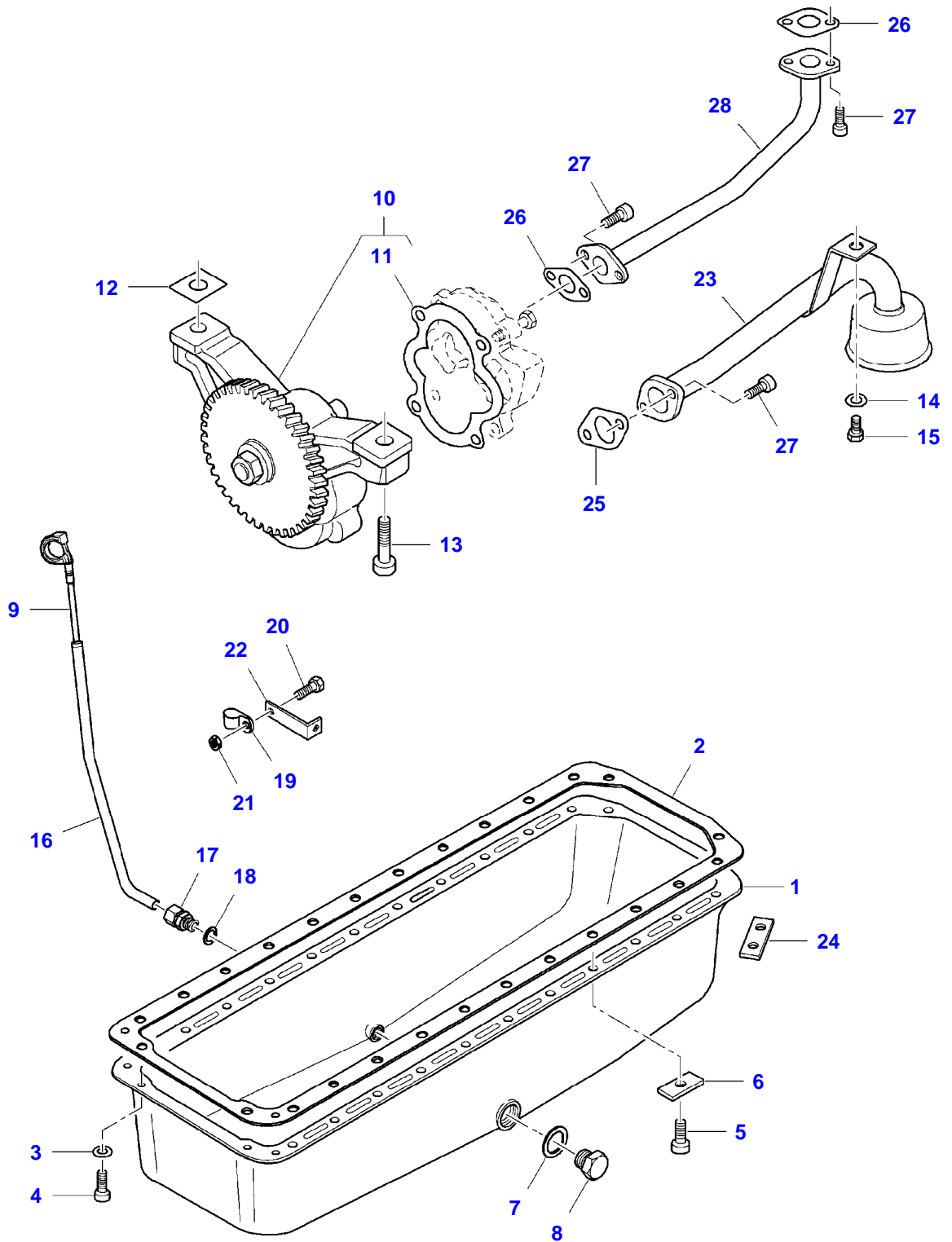


8024941-F5-1

TURBOCHARGER

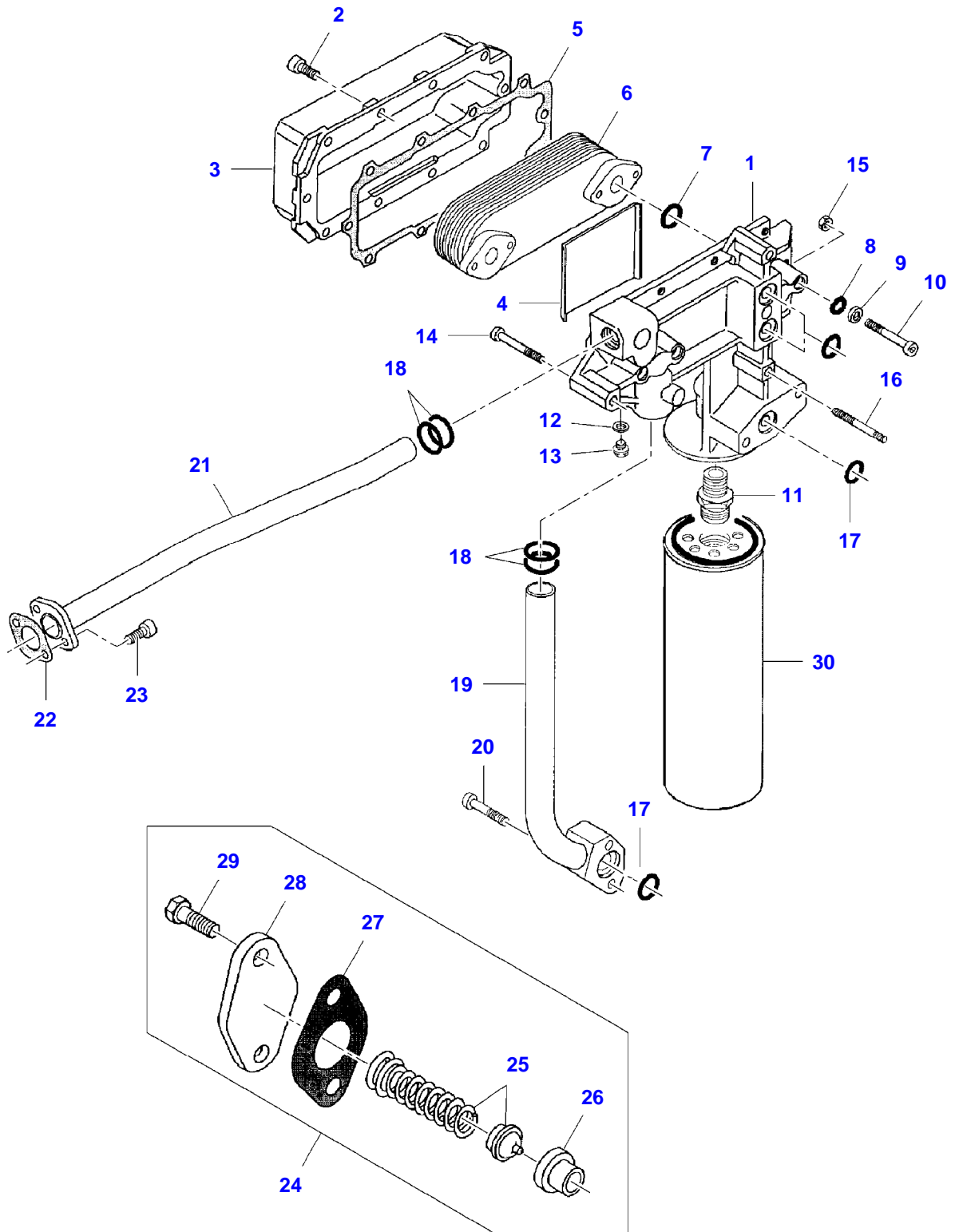
| Item | Part Number | Qty | Description Comments |
|------|-------------|-----|---|
| 1 | V836873827 | 1 | TURBOCHARGER |
| 2 | V836840992 | 1 | GASKET [A] |
| 3 | V836324580 | 1 | GASKET [A] |
| 4 | V615881420 | 1 | SEALING WASHER [A] |
| 5 | V836867822 | 1 | OIL PIPE |
| 6 | V546701850 | 4 | STUD BOLT |
| 7 | V836855714 | 1 | BANJO BOLT |
| 8 | V641086012 | 1 | STRAIGHT FITTING |
| 9 | V615881620 | 1 | SEALING WASHER [A] |
| 10 | V836867823 | 1 | TURBOCHARGER LUBRICATION OIL PIPE |
| 11 | V521601000 | 4 | NUT |
| 12 | V528801380 | 2 | HEX CAP SCREW |
| 13 | V504800800 | 2 | NUT |
| 14 | V836324580 | 1 | GASKET |
| 15 | V529801112 | 1 | HEX CAP SCREW |
| 16 | V835324324 | 2 | PIPE CLAMP HALF |
| 17 | V504600602 | 1 | NUT |
| 18 | V836840992 | 1 | GASKET [A] |
| 19 | V836855709 | 1 | FLANGE |
| 20 | V886325175 | 1 | GASKET [A] |
| 21 | V836840930 | 1 | V CLAMP |
| 22 | V614605930 | 1 | O-RING |
| 23 | V836867533 | 1 | AIR PIPE |
| 24 | V546801360 | 1 | STUD BOLT |
| 25 | V546801400 | 1 | STUD BOLT [A] INCLUDED IN KIT V837079463 |

6335C COMBINE (STAGE 3B / TIER 4I) (564000111-999)
8024942-F5-1



| Item | Part Number | Qty | Description Comments |
|------|-------------|-----|---|
| 1 | V836347308 | 1 | OIL SUMP |
| 2 | V836322538 | 1 | OIL SUMP GASKET [A] |
| 3 | V500950800 | 4 | SPRING WASHER |
| 4 | V580804600 | 4 | HEX SOCKET SCREW |
| 5 | V580805000 | 24 | HEX SOCKET SCREW |
| 6 | V836859560 | 20 | WASHER |
| 7 | V615882227 | 1 | SEALING WASHER [A] |
| 8 | V640045022 | 1 | PLUG |
| 9 | V836867888 | 1 | DIPSTICK |
| 10 | V836874180 | 1 | LUBRICATING OIL PUMP UP TO ENGINE S/N Z12056 |
| | V836874208 | 1 | OIL PUMP FROM ENGINE S/N Z12057 |
| 11 | V836338188 | 1 | GASKET [A] |
| 12 | V836007871 | X | SHIM |
| 13 | V581805050 | 2 | HEX SOCKET SCREW |
| 14 | V500150840 | 1 | WASHER |
| 15 | V528801362 | 1 | HEX CAP SCREW |
| 16 | V836867889 | 1 | OIL DIPSTICK GUIDE PIPE |
| 17 | V641086012 | 1 | STRAIGHT FITTING |
| 18 | V615881622 | 1 | SEALING WASHER [A] |
| 19 | V602060612 | 1 | RETAINER CLAMP |
| 20 | V528801382 | 1 | HEX CAP SCREW |
| 21 | V504800800 | 1 | NUT |
| 22 | V836652081 | 1 | SUPPORT |
| 23 | V836855674 | 1 | OIL PUMP SUCTION PIPE |
| 24 | V836859561 | 2 | WASHER |
| 25 | V836338201 | 1 | GASKET [A] |
| 26 | V836008449 | 2 | GASKET UP TO ENGINE S/N Z12056 [A] |
| | V614702230 | 2 | O-RING FROM ENGINE S/N Z12057 [A] |
| 27 | V581804602 | 6 | HEX SOCKET SCREW |
| 28 | V836855673 | 1 | OIL PIPE UP TO ENGINE S/N Z12056 |
| | V837074139 | 1 | OIL PIPE FROM ENGINE S/N Z12057 [A] INCLUDED IN KIT V837079464 |

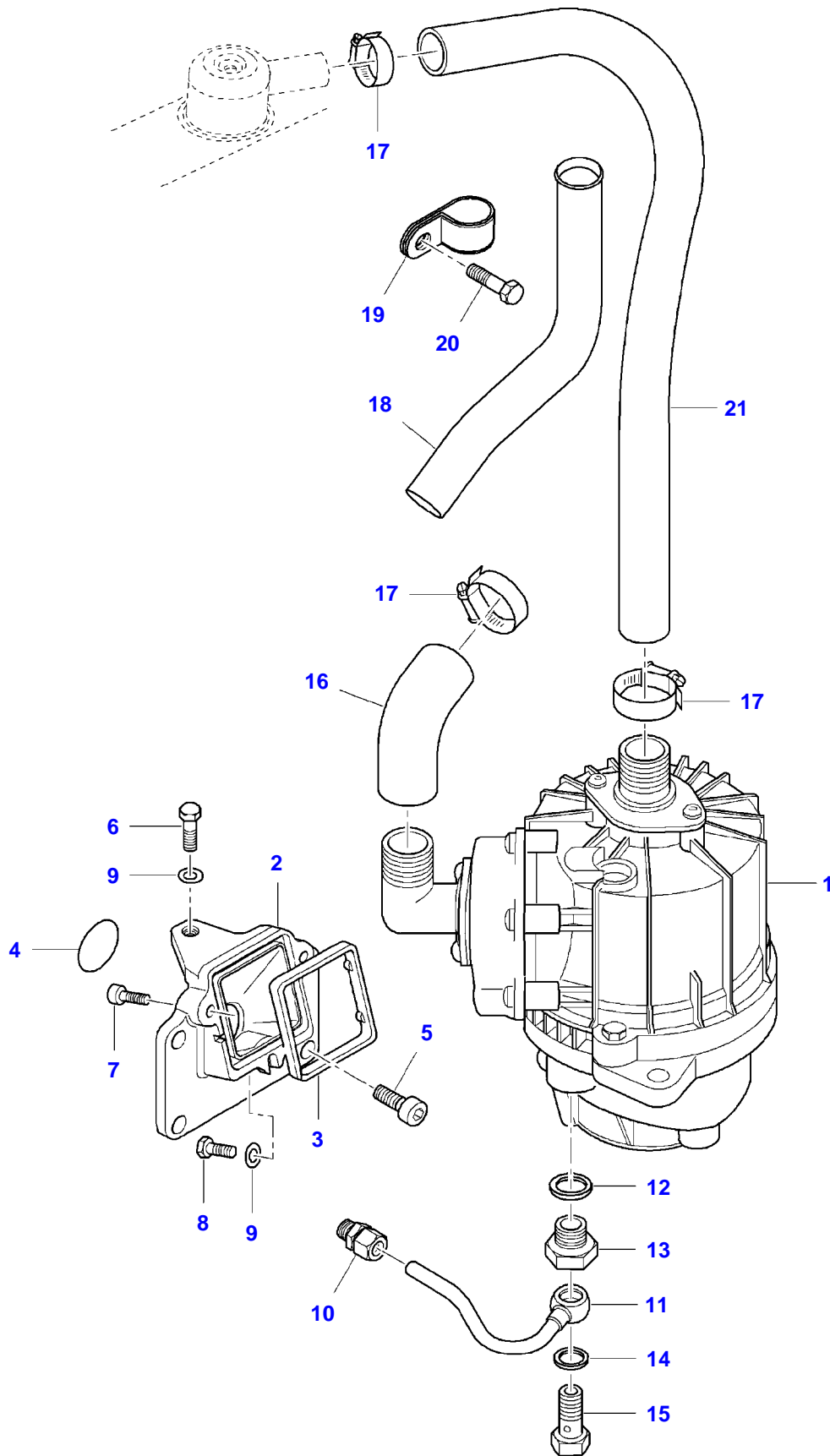
6335C COMBINE (STAGE 3B / TIER 4I) (564000111-999)
8015160-F5-1



OIL COOLER AND FILTER

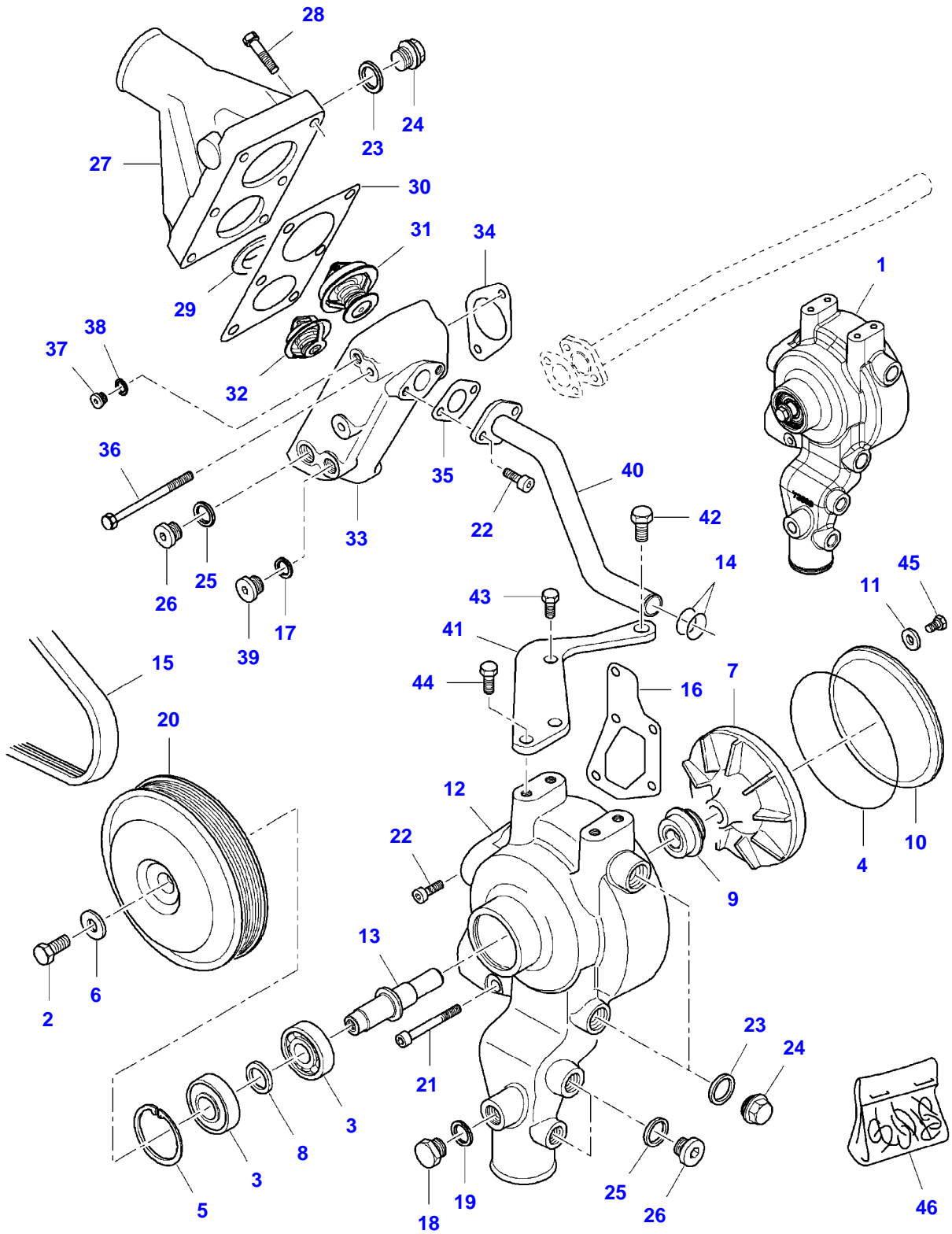
| Item | Part Number | Qty | Description Comments |
|------|-------------|-----|---|
| 1 | V836855522 | 1 | OIL COOLER INCLUDES ITEMS 2-13 |
| 2 | V581804620 | 10 | HEX SOCKET SCREW |
| 3 | V836855519 | 1 | HOUSING |
| 4 | V836855521 | 1 | GUIDE |
| 5 | V836855520 | 1 | GASKET [A] |
| 6 | V836855484 | 1 | TUBING |
| 7 | V614602030 | 2 | O-RING [A] |
| 8 | V614600724 | 4 | O-RING [A] |
| 9 | V836855517 | 4 | WASHER |
| 10 | V581804690 | 4 | HEX SOCKET SCREW |
| 11 | V836338512 | 1 | UNION |
| 12 | V615881216 | 1 | SEALING WASHER [A] |
| 13 | V640305012 | 1 | PLUG |
| 14 | V581804690 | 4 | HEX SOCKET SCREW |
| 15 | V504800800 | 1 | NUT |
| 16 | V546801494 | 1 | STUD BOLT |
| 17 | V614602030 | 4 | O-RING [A] |
| 18 | V614602430 | 4 | O-RING [A] |
| 19 | V836855523 | 1 | OIL PIPE |
| 20 | V581804650 | 2 | HEX SOCKET SCREW |
| 21 | V836855639 | 1 | WATER PIPE |
| 22 | V614602930 | 1 | O-RING [A] |
| 23 | V581804600 | 2 | HEX SOCKET SCREW |
| 24 | V836662130 | 1 | OIL PRESSURE CONTROL VALVE |
| 25 | V836667650 | 1 | SPRING ASSEMBLY |
| 26 | V836659521 | 1 | VALVE SEAT |
| 27 | V836322190 | 1 | GASKET [A] |
| 28 | V836659524 | 1 | COVER |
| 29 | V528801380 | 2 | HEX CAP SCREW |
| 30 | V836379588 | 1 | ENGINE OIL FILTER [A] INCLUDED IN KIT V837079464 |

6335C COMBINE (STAGE 3B / TIER 4I) (564000111-999)
8024944-F5-1



| Item | Part Number | Qty | Description Comments |
|------|-------------|-----|-------------------------|
| 1 | V837073734 | 1 | CCV FILTER |
| 2 | V837073858 | 1 | BRACKET |
| 3 | V837074132 | 1 | GASKET |
| 4 | V836664226 | 1 | O-RING |
| 5 | V581805000 | 4 | HEX SOCKET SCREW |
| 6 | V528801102 | 1 | HEX CAP SCREW |
| 7 | V581804202 | 2 | HEX SOCKET SCREW |
| 8 | V528801082 | 1 | HEX CAP SCREW |
| 9 | V500050642 | 1 | WASHER |
| 10 | V641016008 | 1 | STRAIGHT FITTING |
| 11 | V837073892 | 1 | OIL PIPE |
| 12 | V615881822 | 1 | SEALING WASHER |
| 13 | V836119643 | 1 | THREADED NIPPLE |
| 14 | V615881420 | 1 | SEALING WASHER |
| 15 | V640435010 | 1 | BANJO BOLT |
| 16 | V837074038 | 1 | BREATHER HOSE |
| 17 | V602078538 | 4 | HOSE CLIP |
| 18 | V837073894 | 1 | AIR PIPE |
| 19 | V602074525 | 1 | HOSE CLIP |
| 20 | V529901420 | 1 | HEX CAP SCREW |
| 21 | V837074052 | 1 | HOSE |

6335C COMBINE (STAGE 3B / TIER 4I) (564000111-999)
8024943-F5-1



| Item | Part Number | Qty | Description Comments |
|------|-------------|-----|--------------------------------------|
| | | | UP TO ENGINE S/N Z23464 |
| 1 | V837073601 | 1 | WATER PUMP INCLUDES ITEMS 2-14 |
| 2 | V528801780 | 1 | HEX CAP SCREW |
| 3 | V610063044 | 2 | BALL BEARING [A] |
| 4 | V614612530 | 1 | O-RING [A][B] |
| 5 | V617330052 | 1 | LOCK RING [A] |
| 6 | V836122910 | 1 | WASHER |
| 7 | V836336047 | 1 | IMPELLER |
| 8 | V836747716 | 1 | SLEEVE |
| 9 | V836859452 | 1 | WATER PUMP CARTRIDGE GASKET [A] |
| 10 | V836867624 | 1 | PLATE |
| 11 | V836867659 | 3 | WASHER |
| 12 | NS | 1 | NON-SERVICEABLE PART |
| 13 | V837073605 | 1 | WATER PUMP SHAFT |
| 14 | V614602430 | 2 | O-RING [A][C] |
| 15 | V685041022 | 1 | MULTI-RIBBED BELT |
| 16 | V837073622 | 1 | GASKET [A] |
| 17 | V615881418 | 1 | SEALING WASHER [C] |
| 18 | V836119079 | 1 | PLUG |
| 19 | V615881620 | 1 | SEALING WASHER [A] |
| 20 | V837073606 | 1 | WATER PUMP MULTI-RIBBED PULLEY |
| 21 | V581804702 | 2 | HEX SOCKET SCREW |
| 22 | V581804600 | 6 | HEX SOCKET SCREW |
| 23 | V615882227 | 3 | SEALING WASHER [A][B] |
| 24 | V640045022 | 3 | PLUG |
| 25 | V615881822 | 3 | SEALING WASHER [A][B] |
| 26 | V640325018 | 3 | PLUG |
| 27 | V836855602 | 1 | WATER PIPE |
| 28 | V528801422 | 6 | HEX CAP SCREW |
| 29 | V836336425 | 1 | INTERMEDIATE PLATE |
| 30 | V836855603 | 1 | GASKET [C] |
| 31 | V836331590 | 1 | THERMOSTAT |
| 32 | V836015156 | 1 | THERMOSTAT |
| 33 | V836855601 | 1 | THERM. HOUSING |
| 34 | V836646393 | 1 | GASKET [C] |
| 35 | V836322190 | 2 | GASKET [C] |
| 36 | V529801550 | 2 | HEX CAP SCREW |
| 37 | V640325110 | 1 | SCREW PLUG |
| 38 | V615871014 | 1 | SEALING WASHER [C] |
| 39 | V640325014 | 1 | PLUG |
| 40 | V837073640 | 1 | WATER PIPE |
| 41 | V837073777 | 1 | SUPPORT |
| 42 | V528801780 | 1 | HEX CAP SCREW |
| 43 | V528801360 | 1 | HEX CAP SCREW |
| 44 | V528801382 | 2 | HEX CAP SCREW |
| 45 | V528801052 | 3 | HEX CAP SCREW |
| 46 | V837079407 | 1 | WATER PUMP REPAIR KIT |

Fendt

6335C COMBINE (STAGE 3B / TIER 4I) (564000111-999)

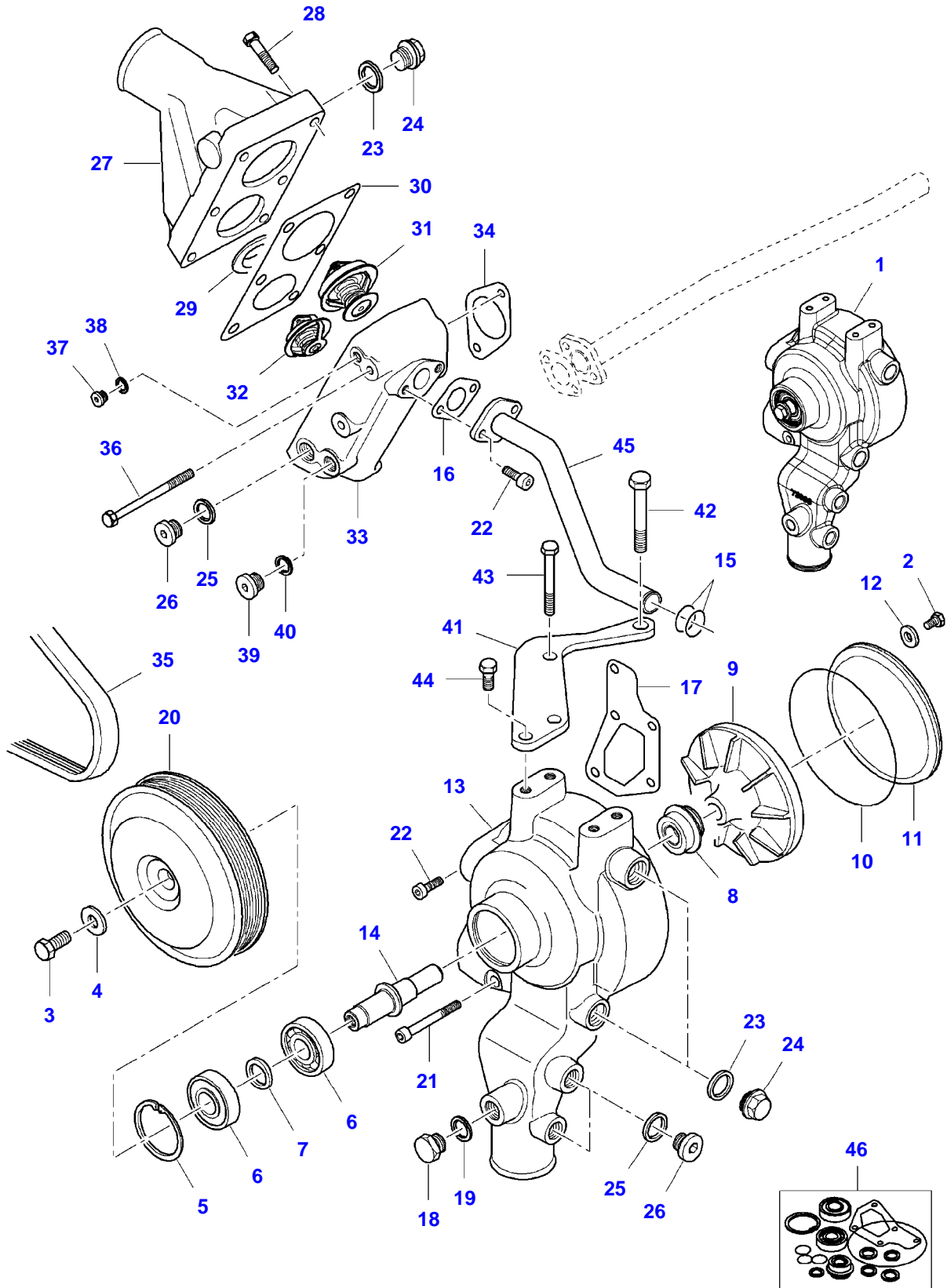
3906473

COOLANT PUMP AND THERMOSTAT

Page01-0013

| Item | Part Number | Qty | Description | Comments |
|------|-------------|-----|-------------|--------------------------------|
| | | | | [A] INCLUDED IN KIT V837079407 |
| | | | | [B] INCLUDED IN KIT V837079464 |
| | | | | [C] INCLUDED IN KIT V837079463 |

6335C COMBINE (STAGE 3B / TIER 4I) (564000111-999)
8028740-F5-1



| Item | Part Number | Qty | Description Comments | Technical Specification |
|------|-------------|-----|--|-------------------------|
| | | | FROM ENGINE S/N Z23465 | |
| 1 | V837079842 | 1 | KIT,WATER PUMP INCLUDES ITEMS 2-17 | |
| 2 | V528801052 | 3 | HEX CAP SCREW | |
| 3 | V528801780 | 1 | HEX CAP SCREW | |
| 4 | V837084546 | 1 | WASHER | |
| 5 | V617330052 | 1 | LOCK RING [C] | |
| 6 | V610063044 | 2 | BALL BEARING [C] | |
| 7 | V836747716 | 1 | SLEEVE | |
| 8 | V837073981 | 1 | WATER PUMP CARTRIDGE GASKET [C] | |
| 9 | NS | | NON-SERVICEABLE PART | |
| 10 | V614612530 | 1 | O-RING [C] | |
| 11 | NS | | NON-SERVICEABLE PART | |
| 12 | V836867659 | 3 | WASHER | |
| 13 | NS | | NON-SERVICEABLE PART | |
| 14 | NS | | NON-SERVICEABLE PART | |
| 15 | V614602430 | 2 | O-RING [A][C] | |
| 16 | V614602930 | 1 | O-RING [A][C] | |
| 17 | V837073622 | 1 | GASKET [C] | |
| 18 | VGR0277 | 1 | PLUG | M16 (1.5) |
| 19 | VKH3635 | 1 | SEALING WASHER [C] | 16-20 X 1.5 MM |
| 20 | V837073606 | 1 | WATER PUMP MULTI-RIBBED PULLEY | |
| 21 | V581804702 | 2 | HEX SOCKET SCREW | |
| 22 | V581804602 | 4 | HEX SOCKET SCREW | |
| 23 | V615882227 | 3 | SEALING WASHER [B][C] | |
| 24 | V640045022 | 3 | PLUG | |
| 25 | V615881822 | 3 | SEALING WASHER [B][C] | |
| 26 | V640325018 | 3 | PLUG | |
| 27 | V836855602 | 1 | WATER PIPE | |
| 28 | V528801422 | 6 | HEX CAP SCREW | |
| 29 | V836336425 | 1 | INTERMEDIATE PLATE | |
| 30 | V836855603 | 1 | GASKET [A] | |
| 31 | V836331590 | 1 | THERMOSTAT | |
| 32 | V836015156 | 1 | THERMOSTAT | |
| 33 | V836855601 | 1 | THERM. HOUSING | |
| 34 | V836646393 | 1 | GASKET [A] | |
| 35 | V685041022 | 1 | MULTI-RIBBED BELT | |
| 36 | V529801550 | 2 | HEX CAP SCREW | |
| 37 | V640325110 | 1 | SCREW PLUG | |
| 38 | V615871014 | 1 | SEALING WASHER [A] | |
| 39 | V640325014 | 1 | PLUG | |
| 40 | VKH3618 | 1 | SEAL RING [A] | Ø 14-18 X 1,5 MM |
| 41 | V837073777 | 1 | SUPPORT | |
| 42 | V528801780 | 1 | HEX CAP SCREW | |
| 43 | V528801360 | 1 | HEX CAP SCREW | |
| 44 | V528801382 | 2 | HEX CAP SCREW | |
| 45 | V837073640 | 1 | WATER PIPE | |
| 46 | V837079851 | 1 | WATER PUMP REPAIR KIT | |

Fendt

6335C COMBINE (STAGE 3B / TIER 4I) (564000111-999)

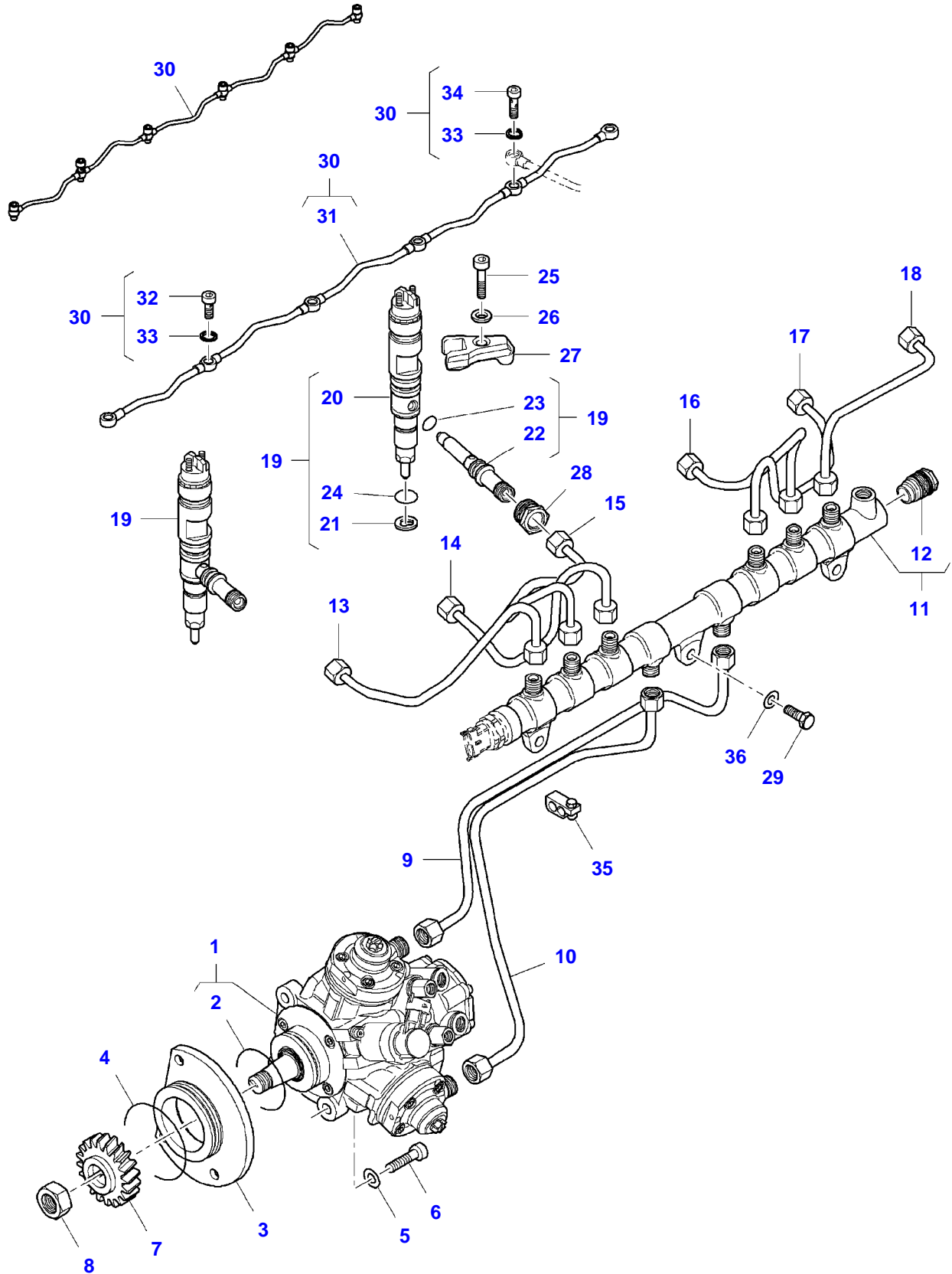
3906473

COOLANT PUMP AND THERMOSTAT

Page01-0014

| Item | Part Number | Qty | Description Comments | Technical Specification |
|------|-------------|-----|--|-------------------------|
| | | | [A] INCLUDED IN GASKET SET FOR CYLINDER HEAD | |
| | | | [B] INCLUDED IN GASKET SET FOR ENGINE | |
| | | | [C] INCLUDED IN KIT ITEM 46 | |

6335C COMBINE (STAGE 3B / TIER 4I) (564000111-999)
8024945-F5-1



Thank you so much for reading.
Please click the “Buy Now!”
button below to download the
complete manual.



After you pay.

You can download the most
perfect and complete manual in
the world immediately.

Our support email:

ebooklibonline@outlook.com