

**MASSEY FERGUSON**

# MF 1800

Series Small Square Baler

Model: 1840

## SERVICE MANUAL

**FROM MASSEY FERGUSON**

---

# Massey Ferguson®

## 1840 Small Square Baler

### SERVICE MANUAL 4283517M1

#### CONTENTS

GENERAL INFORMATION .....	01
ADJUSTMENTS.....	02
DRIVE LINE.....	03
PICKUP.....	04
HYDRAULICS .....	05
KNOTTER.....	06
MAINFRAME .....	07
TROUBLESHOOTING .....	08
SPECIFICATIONS .....	09
INDEX .....	10

---

## NOTES

**Massey Ferguson®**

**1840  
Small Square Baler**

**SERVICE MANUAL  
4283517M1**

**01 - General Information**

**Contents**

Introduction .....	01-1
Units of Measurement .....	01-1
Replacement Parts .....	01-1
Serial Number Plate Location .....	01-1
Machine Identification .....	01-1
Model and Serial Numbers .....	01-1
Component Identification .....	01-2
Drive Train .....	01-3
Slip Clutches .....	01-4
Pickup and Feeding .....	01-5
Shearbolts .....	01-6
Location .....	01-6
Replacement .....	01-7
Roller Chains .....	01-8
Inspection of Drive Chains and Sprockets .....	01-8
Drive Chain Adjustment and Tightening .....	01-9
Drive Chain Sprocket and Idler Alignment .....	01-9
Drive Chain Elongation and Sprocket Wear .....	01-11
Normal Tooth Wear .....	01-11
Not Normal Tooth Wear .....	01-12
Worn Chain on New Sprockets .....	01-12
Drive Chain Service Tips .....	01-12
Chain Replacement .....	01-13
Cleaning and Lubricating Chains .....	01-14
Drive Chain Lubrication .....	01-14
Drive Chain Lubricants .....	01-15
Good Drive Chain Lubrication .....	01-15
Chain Speed Calculation Formulas .....	01-15
Geometrical Formulas .....	01-16
Circumference of a Circle .....	01-16
Area of a Circle .....	01-16
Volume of a Cylinder .....	01-16
Volume of a Sphere .....	01-16
Area of a Triangle .....	01-16
Metric to Imperial and Imperial to Metric Conversion Factors .....	01-16
Measures of Temperature .....	01-16
Measures of Power .....	01-16
Measures of Pressure .....	01-16
Measures of Length .....	01-16
Measures of Area .....	01-16
Measures of Volume (Dry) .....	01-17
Measures of Volume (Liquid) .....	01-17
Measures of Mass (Weight) .....	01-17

## Contents

---

Measures of Effort (Torque) .....	01-18
Reference Tables .....	01-18
Metric Conversions .....	01-19
Fractions, Decimals, and Millimeters Conversion Chart .....	01-20
Decimal Equivalents of 8ths, 16ths, 32nds, and 64ths .....	01-25
Decimal Equivalents Of Letter Size Drills .....	01-25
Decimal Equivalents of Number Size Drills .....	01-26
American Standard Pipe Thread and Tap Drill Sizes .....	01-28
Sealed Bearings .....	01-28
Electrical .....	01-28
Wheel Bearings .....	01-28
Wheel Bolts .....	01-28
Bearing Replacement (Eccentric Self-Locking Collar) .....	01-29
Gib Key Removal And Installation .....	01-30
Service Chart .....	01-31
Grease Fittings .....	01-32
Metering Assembly and Needles .....	01-32
Knotter Assembly .....	01-33
Twister Assembly .....	01-34
IDL (Implement Driveline) .....	01-35
Baler Grease Fittings .....	01-36
Bale Thrower Option .....	01-38
Torque Charts .....	01-39
Standard Torque Specifications .....	01-39
Metric Capscrew Markings and Torque Values .....	01-40

---

# GENERAL INFORMATION

## INTRODUCTION

The operation and maintenance instructions included in this Service Manual are assembled from a large amount of field testing and other data. The information was written for typical conditions. Make adjustments as necessary for specific conditions.

Right-hand and left-hand, as used in this Service Manual, is determined by facing the direction the baler will travel when in use.

## UNITS OF MEASUREMENT

Measurements are given in metric units of measurement followed by the equivalent in U.S. units. Hardware sizes are given in millimeters for metric hardware and inches for U.S. hardware.

## REPLACEMENT PARTS

To receive efficient service, always remember to give your Massey Ferguson® Dealer the following information:

- Correct part description, or part number.
- Model number of your baler.
- Serial number of your baler.

## SERIAL NUMBER PLATE LOCATION

**FIG. 1:** Each baler has a serial number plate (1) with the model and serial number. The serial number plate is located on the left-hand side of the front shield.



**FIG. 1**

## MACHINE IDENTIFICATION

### Model and Serial Numbers

*NOTE: Any time your baler needs service, or parts, give your Massey Ferguson® Dealer the model and serial numbers.*

Machine model No. \_\_\_\_\_

Machine serial No. \_\_\_\_\_

Date received: \_\_\_\_\_

## General Information

### COMPONENT IDENTIFICATION

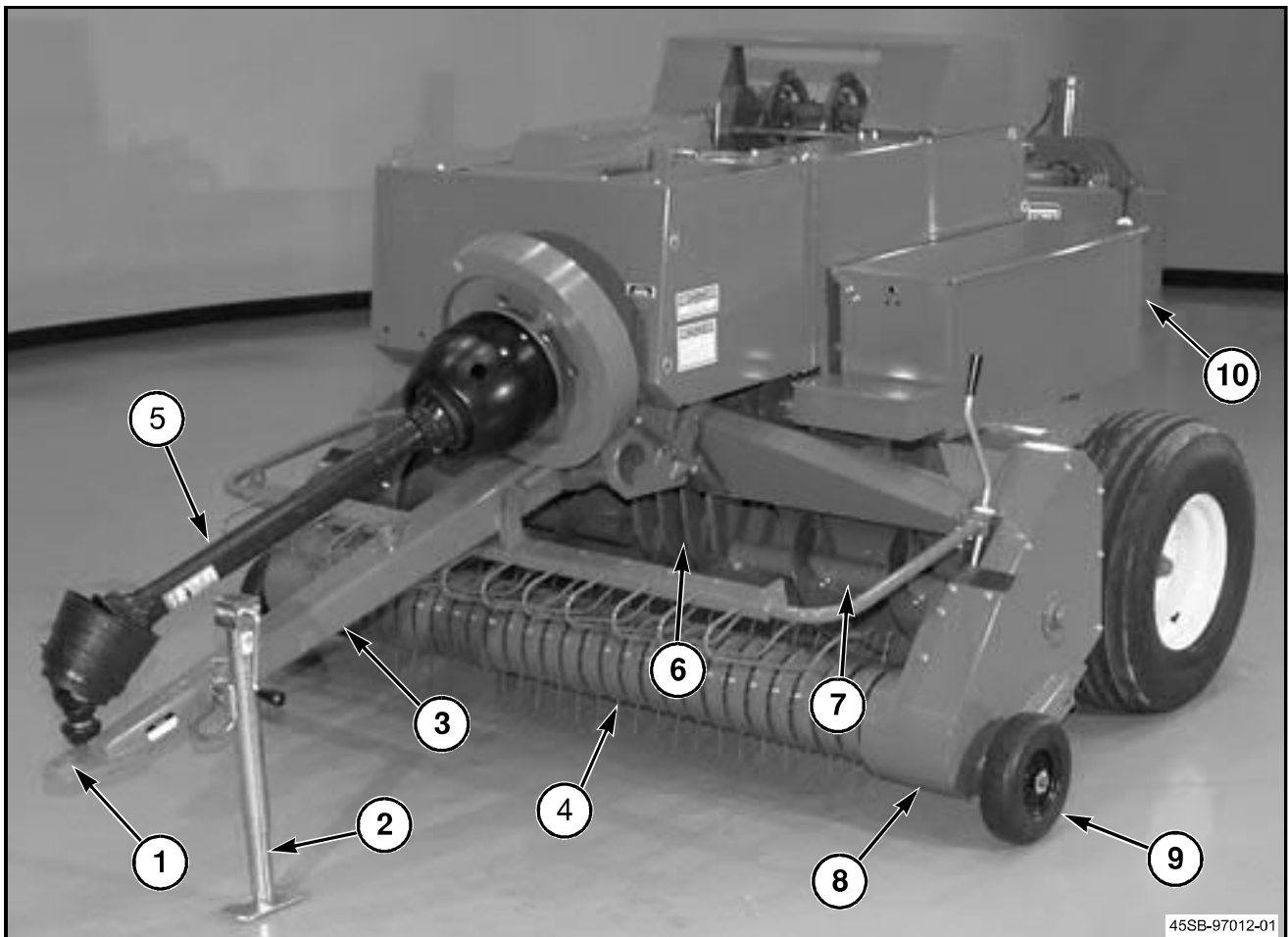


FIG. 2

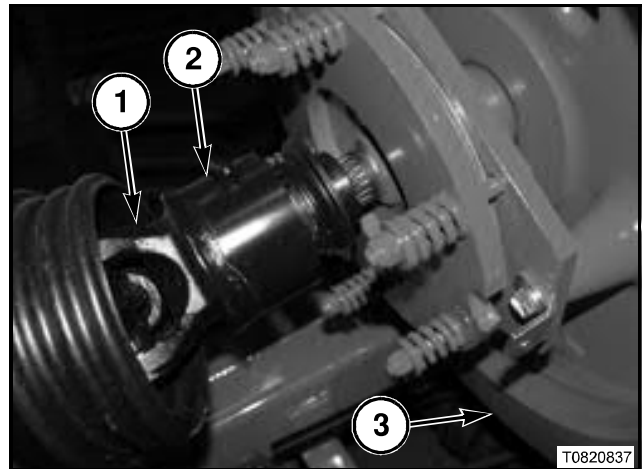
FIG. 2: Front view

- (1) Hitch
- (2) Jack
- (3) Tongue
- (4) Pickup assembly
- (5) IDL (Implement Driveline)
- (6) Charge chamber
- (7) Auger (one on each side)
- (8) Left-hand auger drive chain cover
- (9) Gauge wheel (one on each side)
- (10) Bale chamber

### DRIVE TRAIN

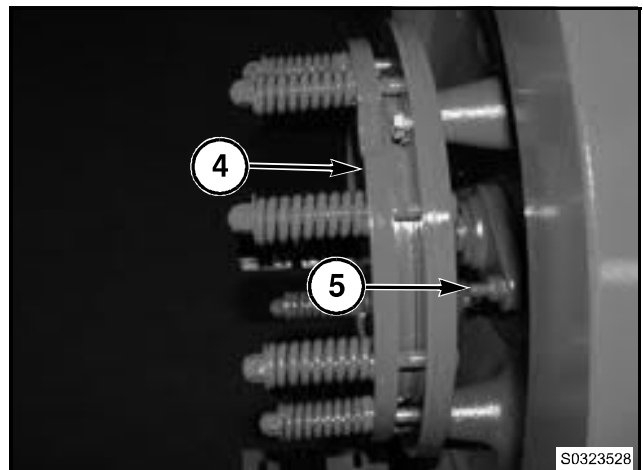
**FIG. 3:** The baler is driven by the tractor PTO system. The baler requires a standard 540 rev/min tractor PTO. The baler uses a four U-joint drive shaft between the tractor and the baler. The tractor power goes from the rear U-joint (1) of the drive shaft to the overrunning clutch (2).

The overrunning clutch permits the baler flywheel (3) to freewheel when the PTO is disengaged or the tractor engine speed is reduced. This permits the operator to change gears on the tractor without waiting for the flywheel to come to a complete stop.



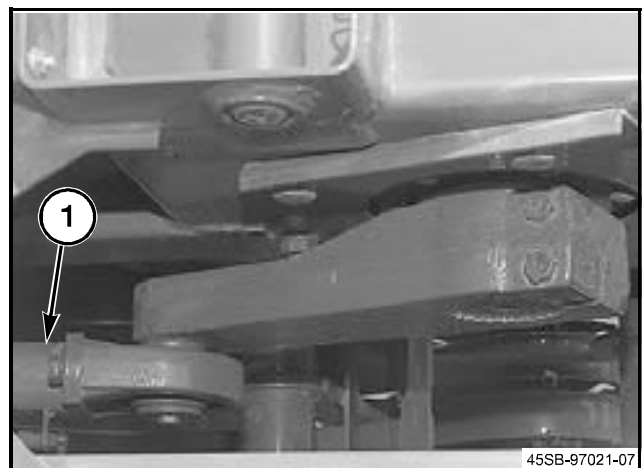
**FIG. 3**

**FIG. 4:** From the overrunning clutch, the power goes through a slip clutch (4), and the flywheel and flywheel shearbolt (5). The flywheel shearbolt drives the gearbox, which in turn operates the other baler mechanisms. The flywheel shearbolt also protects the other components.



**FIG. 4**

**FIG. 5:** The crank arm on the right-hand side of the gearbox drives the plunger (1).



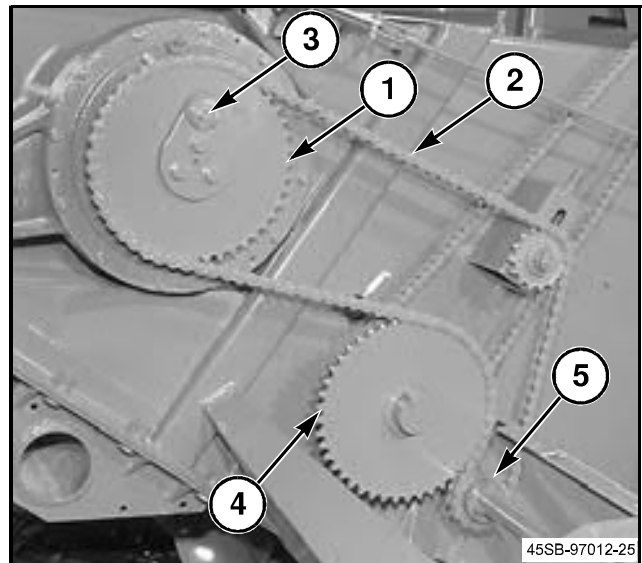
**FIG. 5**



## General Information

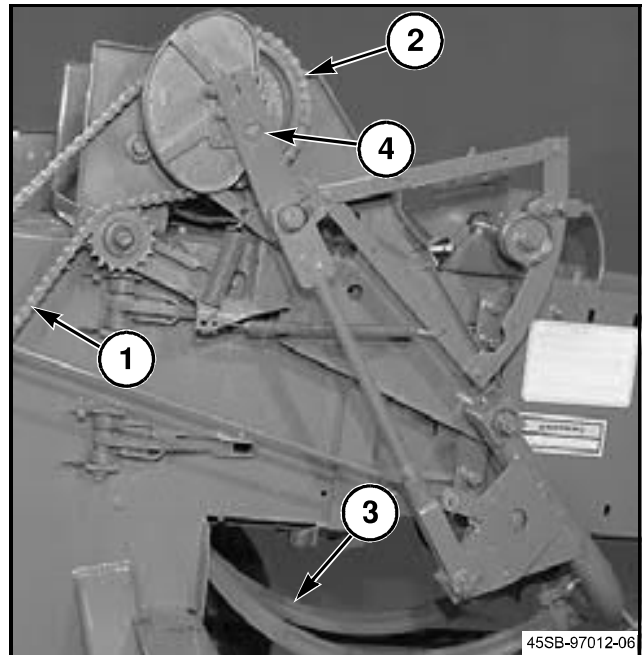
**FIG. 6:** The sprocket (1) on the left-hand side of the gearbox drives the chain (2). The sprocket is protected by a shearbolt (3).

The chain drives the stuffer double sprocket (4) and the pickup drive shaft sprocket (5). The stuffer double sprocket drives a No. 50 chain (6). The pickup assembly is protected by a slip clutch.



**FIG. 6**

**FIG. 7:** The No. 50 chain (1) drives the knotters (2), and the needles (3). These components are protected by a shearbolt (4).



**FIG. 7**

## SLIP CLUTCHES

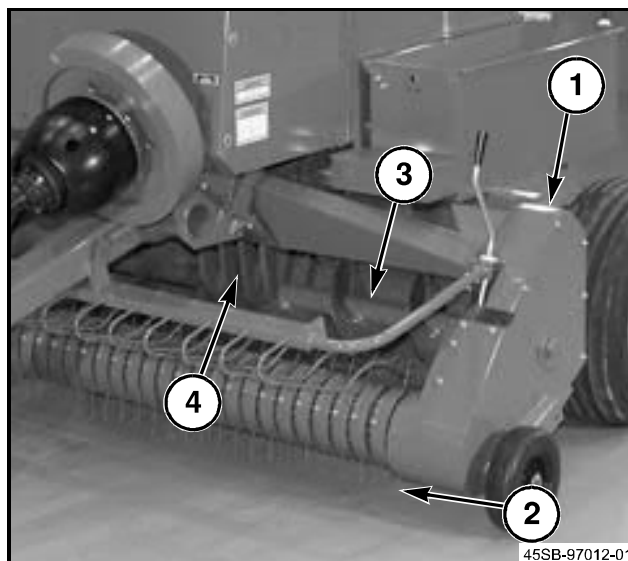
Slip clutches are used at two locations to protect the baler's components against damage from overloads. The slip clutches use two fibrous clutch discs between steel pressure plates. Spring tension on the plates keeps the required torque.

The slip clutch on the front of the flywheel protects the tractor PTO from stresses caused by sudden overloads. The slip clutch on the pickup assembly drive protects the baler from slugs of hay that can jam the bale chamber or hard objects that can cause damage. The slip clutches must be checked and adjusted.

### PICKUP AND FEEDING

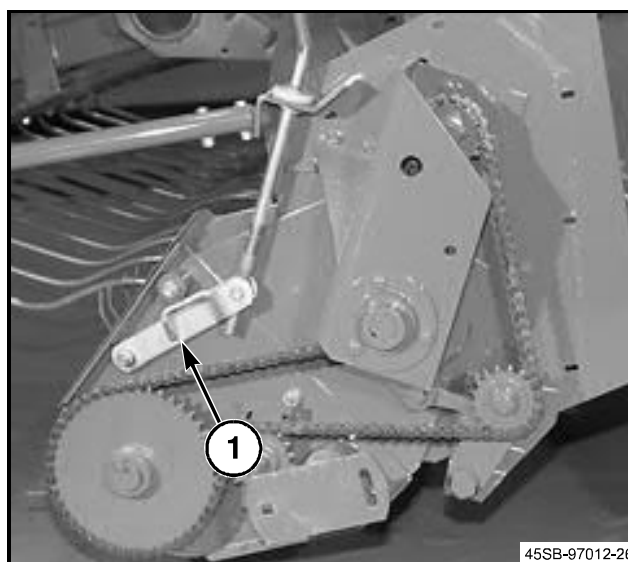
**FIG. 8:** Continuous flow, straight through feeding is possible with the wide, low profile pickup assembly (1). Hay from the windrow is picked up by the closely located tines (2) of the pickup assembly and moved by an auger (3) into a charge chamber (4). The in line charge chamber feeds the baling chamber from the bottom.

This baler makes bales that are the same shape and the same condition in light, or heavy, windrows. As the flakes are formed, the stuffer fingers sweep the flakes into the bale chamber with each return stroke of the plunger. With the PTO operating at 540 rpm, the plunger makes 100 strokes per minute to compress the hay in the baling chamber.



**FIG. 8**

**FIG. 9:** The pickup height adjustment strap (1) controls the height of the tines above the ground. Set tine height according to instructions in the Adjustments Section.



**FIG. 9**

## General Information

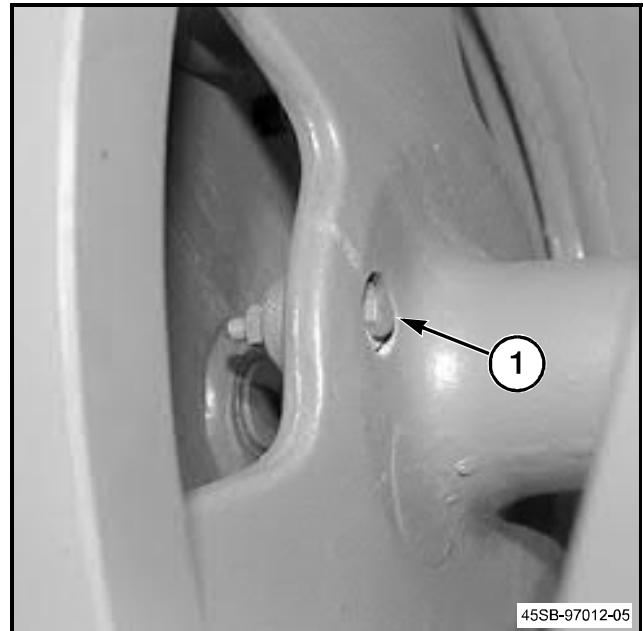
---

### SHEARBOLTS

#### Location

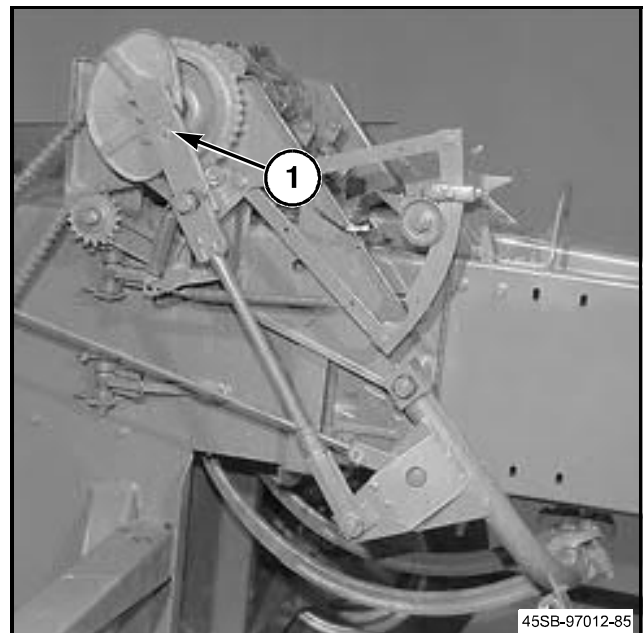
The shearbolts are used in three different locations to protect the components.

**FIG. 10:** The flywheel shearbolt (1) connects the flywheel to the other parts of the drive train. When the flywheel shearbolt breaks, the flywheel cannot drive the baler.



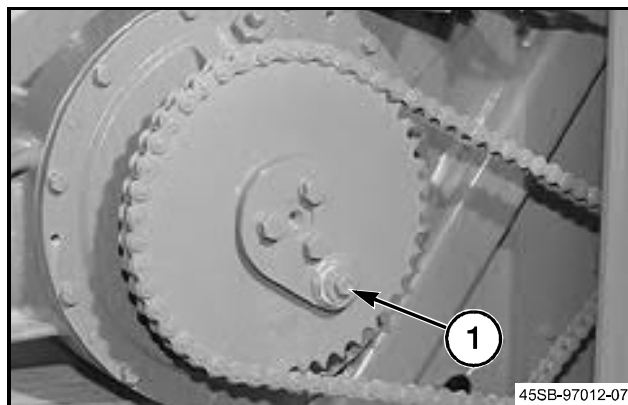
**FIG. 10**

**FIG. 11:** The twine knotter (or wire twister) and needles are protected by a shearbolt (1) through the needle arm and reset cam.



**FIG. 11**

**FIG. 12:** The stuffer / pickup drive shearbolt (1) drives the stuffer fingers and the pickup assembly.



**FIG. 12**

### Replacement

Stop the tractor and baler immediately when a shearbolt breaks. Determine what caused the shearbolt to shear.

If the flywheel shearbolt breaks and is replaced on a tying cycle, DO NOT rotate the flywheel in the reverse direction. Rotating the baler flywheel in the counterclockwise direction (facing the direction of baler travel) will reverse the baler. This can cause damage to the knotter trip arm when the knotter trip arm contacts the clutch dog.

*NOTE: If the flywheel shearbolt breaks, check the stuffer and the knotter shearbolts too.*

The knotter drive clutch, when engaged, is of a lock up type and will reverse the knotters if the baler is reversed. Trip the knotter trip arm to permit the clutch dog to pass the knotter trip arm without interference.

Always replace broken bolts with the correct bolt as called for in the manual. Do not replace the bolt with a higher strength bolt than specified. This can result in damage to the baler.

Always make sure all shearbolts are tight. Do not tighten shearbolts too much. Refer to the manual when replacing the shearbolts.

## General Information

---

### ROLLER CHAINS

#### Inspection of Drive Chains and Sprockets

Experience will determine how frequently drive chains will need to be inspected and serviced. Make a regular schedule and follow the schedule.

With new chains and sprockets some adjustment of the chain tension can be looked for during the first run-in period.

Inspect the chains and sprockets for the following:

1. Wear of the chain link side plates.
2. Wear on the sides of the sprocket teeth.
3. Alignment of the sprockets, idlers, and shafts.
4. Chain elongation.
5. Wear on the working faces of the sprocket teeth.

Check for interference between the drive and other parts of the equipment. If there is any interference, correct immediately. Interference can cause not normal and damaging wear on the chain and interference part. If the edges of the chain link plates hit against a rigid part, the link plate will become weak because of strain and a chain failure can result.

Check for and remove any deposit of debris or foreign material from between the chain and sprockets. A small amount of material in the sprocket roll seat can cause tensile loads large enough to break the chain if forced through the drive.

Inspect the chain for cracks, broken, or distorted parts. If any of these conditions are found, replace the complete chain. Even if the parts of the chain look in good condition, the complete chain has been damaged and must be replaced.

### Drive Chain Adjustment and Tightening

Proper adjustment and tightening is necessary for long drive chain service life.

Over tightening causes the drive chains to elongate and puts additional loading on the sprockets, shafts, and bearings.

Loose drive chains will climb on the sprocket teeth and cause excessive wear.

**FIG. 13:** To check drive chain tension, turn the drive sprocket in a direction that is opposite to the normal direction of rotation (to remove all the slack from the idler sprocket strand of the chain). Measure the slack at the middle point of the longest drive strand as shown.

As a general rule:

- Horizontal and inclined drive chains must be adjusted to have approximately 20 mm of slack per meter of distance between the center of the driver and driven shaft (0.25 inches of slack per foot of distance between the center of the driver and driven shaft) or approximately 2% of the distance between the center of the driver and the driven shaft.
- Vertical drive chains that see shock loads or changes of rotation must be adjusted to have approximately 10 mm of slack per meter of distance between the center of the driver and the center of the driven shaft (0.125 inches of slack per foot of distance between the center of both the driver and the driven shaft) or approximately 1% of the distance between the center of the driver and the center of the driven shaft.

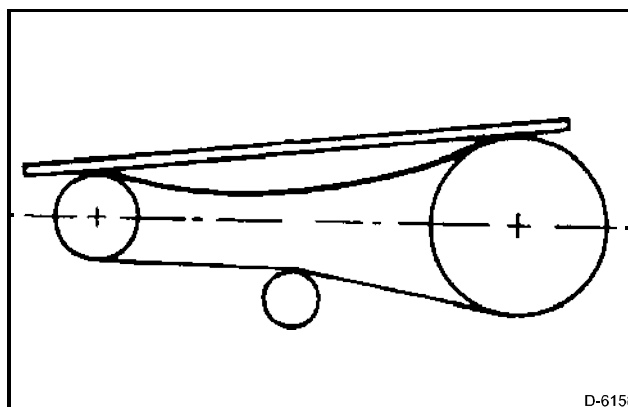


FIG. 13

D-6158

### Drive Chain Sprocket and Idler Alignment

**FIG. 14:** If there is wear on the inside surface of the chain roller link plates, the sprockets are not aligned. Make sure that:

The shafts (that the driver and driven sprockets are mounted on) are in the same location (level with each other).

Check for tilting or shafts not in alignment by using a bubble level. For proper alignment, the bubble must be in the same position as measured on each shaft.

Rotate the drive and look for excessive movement. If movement is shown inspect the sprocket and shaft. If there is no problem shown, remove and install sprocket. Not correctly mounted sprockets or out of round sprockets are from time to time the root of vibration or more severe problems. A dial indicator can be used to measure the side to side sprocket movement or diameter vibration by holding the dial indicator up to the sprocket sidewall.

**IMPORTANT:** Always turn off the machine before using the dial indicator. Rotate the drive by hand to make the measurements.

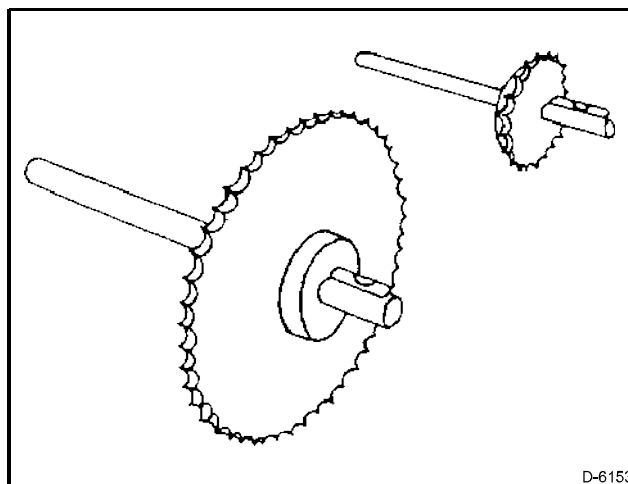
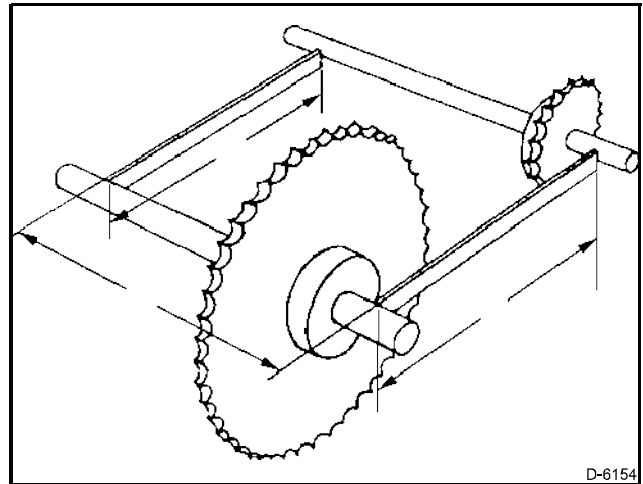


FIG. 14

D-6153

## General Information

**FIG. 15:** The shafts (that the driver and driven sprockets are mounted on) are parallel to each other.

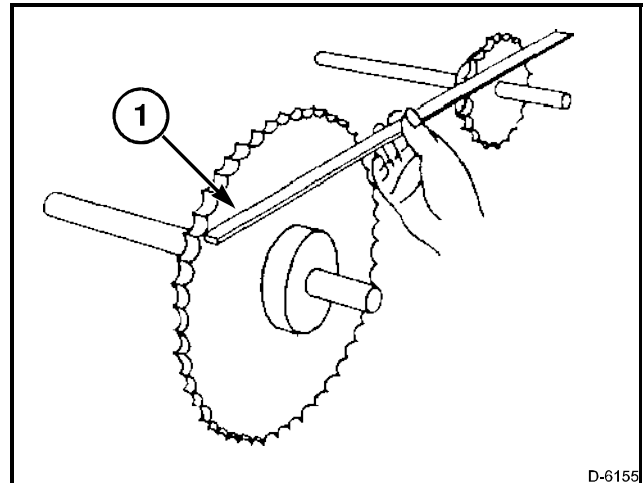


**FIG. 15**

**FIG. 16:** The driver and driven sprockets are in line (not offset).

To check the alignment use a long straight edge (1) made of wood, metal, or any rigid material. Line the straight edge along the outside face of both sprockets. If the drive is properly aligned, the straight edge will contact each sprocket evenly. The straight edge must touch the two outer edges of each sprocket for a total of four points of contact.

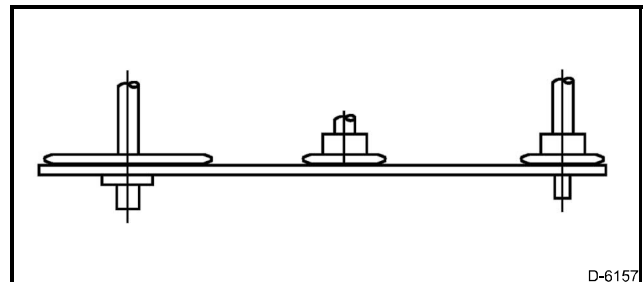
Shafts not aligned will show up as a gap between the outside face of the sprocket and the straight edge.



**FIG. 16**

**FIG. 17:** The idler and adjusting sprockets are in alignment with the driver and driven sprockets.

Bad alignment, especially with multiple strand chains results in not equal loading across the width of the chain and can cause an early chain failure.



**FIG. 17**

### Drive Chain Elongation and Sprocket Wear

Drive chain wear occurs on the inside of the chain in the load bearing areas between the chain outer link hardened pins and the chain inner link bushing surfaces. This wear causes chain elongation which is referred to as chain stretch.

This wear is not seen on the outside of the chain and cannot be measured with the chain under tension. To measure chain elongation, remove the chain and select a 305 mm (1 ft) section of chain. Push the selected section of chain tightly together and measure the distance between the link pins. Then pull the same selected section of chain and measure the distance between the same link pins. If the movement (elongation) is more than 10 mm per meter (0.125 inches per foot), the chain is worn out and must be replaced.

When wear of this amount or more is seen, the hardened surfaces on the link pins are worn through. The chain is worn out, and making frequent adjustments will be necessary.

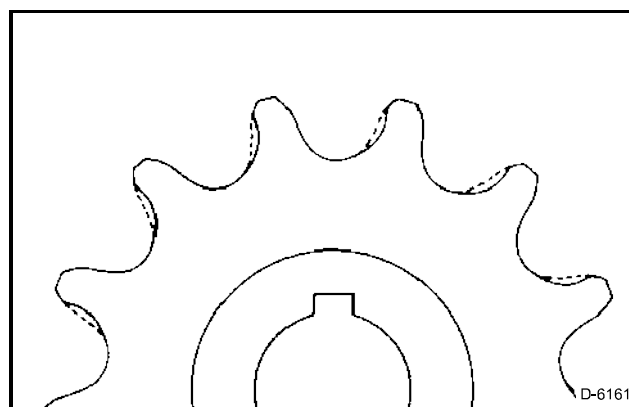
Gradual increase in chain slack is the result of normal chain wear. A sudden increase in chain slack indicates one or more of the following problems:

1. Not enough lubrication or failure of the lubricant.
2. Excessive over loading or shock loading of the chain drive.
3. Loose bearing mounting hardware or a failed drive.
4. Loose idler sprockets, chain guide blocks, or failed idler sprocket bearings.

### Normal Tooth Wear

**FIG. 18:** Normal Tooth Wear.

Worn sprockets must not be used with new roller chain.



**FIG. 18**



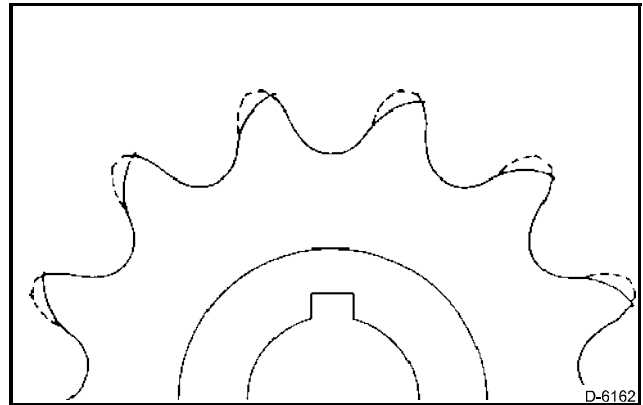
## General Information

### Not Normal Tooth Wear

**FIG. 19:** Chain tension that is not correct can cause not normal wear on the outer tips of the sprocket teeth. Not enough chain and sprocket lubrication can cause not normal wear of the sprocket teeth.

Check for roughness or binding when the chain engages or disengages from the sprocket. Inspect the sprocket teeth for reduced tooth section and curved tooth tips.

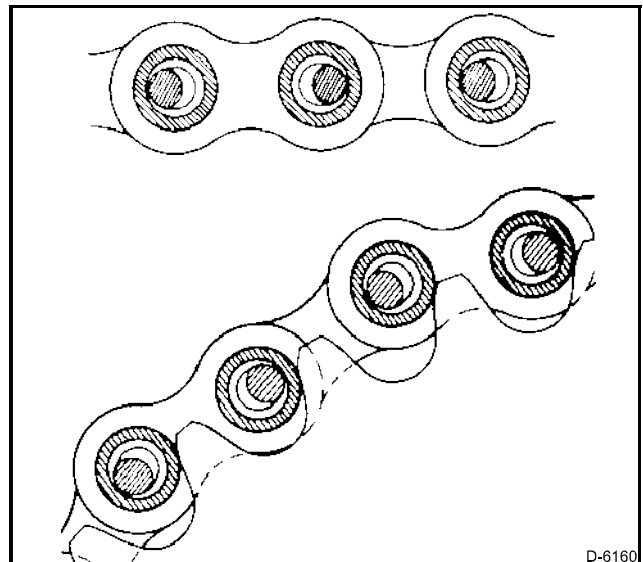
If these conditions are present, the sprocket teeth are excessively worn and the sprocket must be replaced. Do not run new chain on worn sprockets as this will cause the new chain to wear rapidly.



**FIG. 19**

### Worn Chain on New Sprockets

**FIG. 20:** A worn or elongated drive chain must never be used with new sprockets since the chain no longer fits the sprocket teeth properly. The pitch of the chain is larger than the pitch of the sprocket teeth. A worn or elongated drive chain rides high on the outer tips of the sprocket teeth, causing rapid wear on the outer tips of the sprocket teeth.

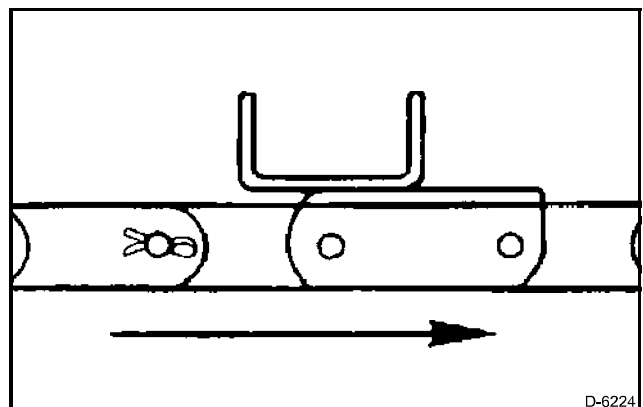


**FIG. 20**

### Drive Chain Service Tips

**FIG. 21:** To extend drive chain service life follow these rules:

- Chains must be removed from the machine for cleaning and lubrication at the end of every season. In addition, drive chains must be lubricated daily (except when operating in dirty or sandy field conditions).
- Periodically, check the alignment of all sprockets and idlers. A sprocket not in alignment will wear on the sides of the sprocket teeth or on the inside of the chain inner (roller) links.
- To remove a chain, turn the drive until the connecting link is fully engaged on one of the sprockets (to relieve the tension on the connecting link pins), then remove the connecting link pins and lift the chain off the sprockets.



**FIG. 21**

Thank you so much for reading.  
Please click the “Buy Now!”  
button below to download the  
complete manual.



After you pay.

You can download the most  
perfect and complete manual in  
the world immediately.

Our support email:

[ebooklibonline@outlook.com](mailto:ebooklibonline@outlook.com)