

**3016**  
Pick-up Header

**SERVICE MANUAL**

Part number 47779309  
2<sup>nd</sup> edition English  
September 2014  
Replaces part number 84404984





# SERVICE MANUAL

3016

# Contents

---

## INTRODUCTION

Main gearbox and drive .....	14
[14.100] Main gearbox and drive .....	14.1
Hydraulic systems.....	35
[35.000] Hydraulic systems.....	35.1
[35.410] Header or attachment height system .....	35.2
[35.780] Feeder engagement system .....	35.3
Frames and ballasting .....	39
[39.100] Frame .....	39.1
Wheels .....	44
[44.530] Carrying and transport wheels .....	44.1
Electrical systems .....	55
[55.000] Electrical system .....	55.1
[55.100] Harnesses and connectors.....	55.2
[55.036] Hydraulic system control .....	55.3
[55.662] Header height control .....	55.4
[55.421] Feeding control system .....	55.5
[55.404] External lighting .....	55.6
Attachments/Headers.....	58
[58.120] Attachment/Header feed auger .....	58.1
[58.900] Belt feeding .....	58.2
Platform, cab, bodywork, and decals.....	90
[90.105] Machine shields and guards .....	90.1



# INTRODUCTION

# Contents

---

## INTRODUCTION

Foreword - Important notice regarding equipment servicing .....	3
Safety rules .....	4
Safety rules - Personal safety .....	5
Safety rules - Ecology and the environment .....	6
Safety signs .....	7
Torque - Minimum tightening torques for normal assembly .....	17
Torque - Standard torque data for hydraulics .....	22
Basic instructions - Shop and assembly .....	24
Basic instructions - Chain wear tables - Roller chains .....	26
Frame - Dimension .....	28
Product identification .....	30
Product identification - Machine orientation .....	31

---

## **Foreword - Important notice regarding equipment servicing**

All repair and maintenance work listed in this manual must be carried out only by qualified dealership personnel, strictly complying with the instructions given, and using, whenever possible, the special tools.

Anyone who performs repair and maintenance operations without complying with the procedures provided herein shall be responsible for any subsequent damages.

The manufacturer and all the organizations of its distribution chain, including - without limitation - national, regional, or local dealers, reject any responsibility for damages caused by parts and/or components not approved by the manufacturer, including those used for the servicing or repair of the product manufactured or marketed by the manufacturer. In any case, no warranty is given or attributed on the product manufactured or marketed by the manufacturer in case of damages caused by parts and/or components not approved by the manufacturer.

The manufacturer reserves the right to make improvements in design and changes in specifications at any time without notice and without incurring any obligation to install them on units previously sold. Specifications, descriptions, and illustrative material herein are as accurate as known at time of publication but are subject to change without notice.

In case of questions, refer to your CASE IH Sales and Service Networks.

## Safety rules


### Personal safety





This is the safety alert symbol. It is used to alert you to potential personal injury hazards. Obey all safety messages that follow this symbol to avoid possible death or injury.

Throughout this manual you will find the signal words **DANGER**, **WARNING**, and **CAUTION** followed by special instructions. These precautions are intended for the personal safety of you and those working with you.

Read and understand all the safety messages in this manual before you operate or service the machine.

 **DANGER** indicates a hazardous situation that, if not avoided, will result in death or serious injury.

 **WARNING** indicates a hazardous situation that, if not avoided, could result in death or serious injury.

 **CAUTION** indicates a hazardous situation that, if not avoided, could result in minor or moderate injury.

**FAILURE TO FOLLOW DANGER, WARNING, AND CAUTION MESSAGES COULD RESULT IN DEATH OR SERIOUS INJURY.**

### Machine safety

**NOTICE:** *Notice indicates a situation that, if not avoided, could result in machine or property damage.*

Throughout this manual you will find the signal word **Notice** followed by special instructions to prevent machine or property damage. The word **Notice** is used to address practices not related to personal safety.

### Information

**NOTE:** *Note indicates additional information that clarifies steps, procedures, or other information in this manual.*

Throughout this manual you will find the word **Note** followed by additional information about a step, procedure, or other information in the manual. The word **Note** is not intended to address personal safety or property damage.

---

## Safety rules - Personal safety

**Carefully study these precautions, and those included in the external attachment operators manual, and insist that they be followed by those working with and for you.**

1. Thoroughly read and understand this manual and the attachment Operator's Manual before operating this or any other equipment.
2. Be sure all people and pets are clear of the machine before starting. Sound the horn, if equipped, three times before starting engine.
3. Only the operator should be on the machine when in operation. Never allow anyone to climb on to the machine while it is in motion. If the machine is equipped with an Instructors Seat, this must only be used for training purposes. Passengers must not be allowed to use the Instructors Seat.
4. Keep all shields in place. Never work around the machine or any of the attachments while wearing loose clothing that might catch on moving parts.
5. Observe the following precautions whenever lubricating the machine or making adjustments.
  - Disengage all clutching levers or switches.
  - Lower the attachment, if equipped, to the ground or raise the attachment completely and engage the cylinder safety locks. Completing these actions will prevent the attachment from lowering unexpectedly.
  - Engage the parking brake.
  - Shut off the engine and remove the key.
  - Wait for all machine movement to stop before leaving the operators platform.
6. Always keep the machine in gear while travelling downhill.
7. The machine should always be equipped with sufficient front or rear axle weight for safe operation.
8. Under some field conditions, more weight may be required at the front or rear axle for adequate stability. This is especially important when operating in hilly conditions or/when using heavy attachments.
9. Always lower the attachment, shut off the engine, set the parking brake, engage the transmission gears, remove the key and wait for all machine movement to stop before leaving the operators platform.
10. If the attachment or machine should become obstructed or plugged; set the parking brake, shut off the engine and remove the key, engage the transmission gears, wait for all machine or attachment motion to come to a stop, before leaving the operators platform to removing the obstruction or plug.
11. Never disconnect or make any adjustments to the hydraulic system unless the machine and/or the attachment is lowered to the ground or the safety lock(s) is in the engaged position.
12. Use of the flashing lights is highly recommended when operating on a public road.
13. When transporting on a road or highway, use accessory lights and devices for adequate warning to the operators of other vehicles. In this regard, check local government regulations. Various safety lights and devices are available from your CASE IH dealer.
14. Practice safety 365 days a year.
15. Keep all your equipment in safe operating condition.
16. Keep all guards and safety devices in place.
17. Always set the parking brake, shut off the engine and remove the key, engage the transmission gears, wait for all machine or attachment motion to come to a stop, before leaving the operators platform to service the machine and attachment.
18. Remember: A careful operator is the best insurance against an accident.
19. Extreme care should be taken in keeping hands and clothing away from moving parts.



## Safety rules - Ecology and the environment

Soil, air, and water are vital factors of agriculture and life in general. When legislation does not yet rule the treatment of some of the substances required by advanced technology, sound judgment should govern the use and disposal of products of a chemical and petrochemical nature.

**NOTE:** *The following are recommendations that may be of assistance:*

- Become acquainted with and ensure that you understand the relative legislation applicable to your country.
- Where no legislation exists, obtain information from suppliers of oils, filters, batteries, fuels, antifreeze, cleaning agents, etc., with regard to their effect on man and nature and how to safely store, use, and dispose of these substances.
- Agricultural consultants will, in many cases, be able to help you as well.

### Helpful hints

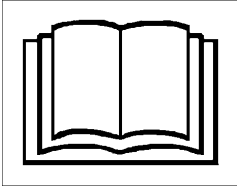
- Avoid filling tanks using cans or inappropriate pressurized fuel delivery systems that may cause considerable spillage.
- In general, avoid skin contact with all fuels, oils, acids, solvents, etc. Most of them contain substances that may be harmful to your health.
- Modern oils contain additives. Do not burn contaminated fuels and or waste oils in ordinary heating systems.
- Avoid spillage when draining off used engine coolant mixtures, engine, gearbox and hydraulic oils, brake fluids, etc. Do not mix drained brake fluids or fuels with lubricants. Store them safely until they can be disposed of in a proper way to comply with local legislation and available resources.
- Do not allow coolant mixtures to get into the soil. Collect and dispose of coolant mixtures properly.
- Do not open the air-conditioning system yourself. It contains gases that should not be released into the atmosphere. Your CASE IH dealer or air conditioning specialist has a special extractor for this purpose and will have to recharge the system properly.
- Repair any leaks or defects in the engine cooling or hydraulic system immediately.
- Do not increase the pressure in a pressurized circuit as this may lead to a component failure.
- Protect hoses during welding as penetrating weld splatter may burn a hole or weaken them, allowing the loss of oils, coolant, etc.

## Safety signs

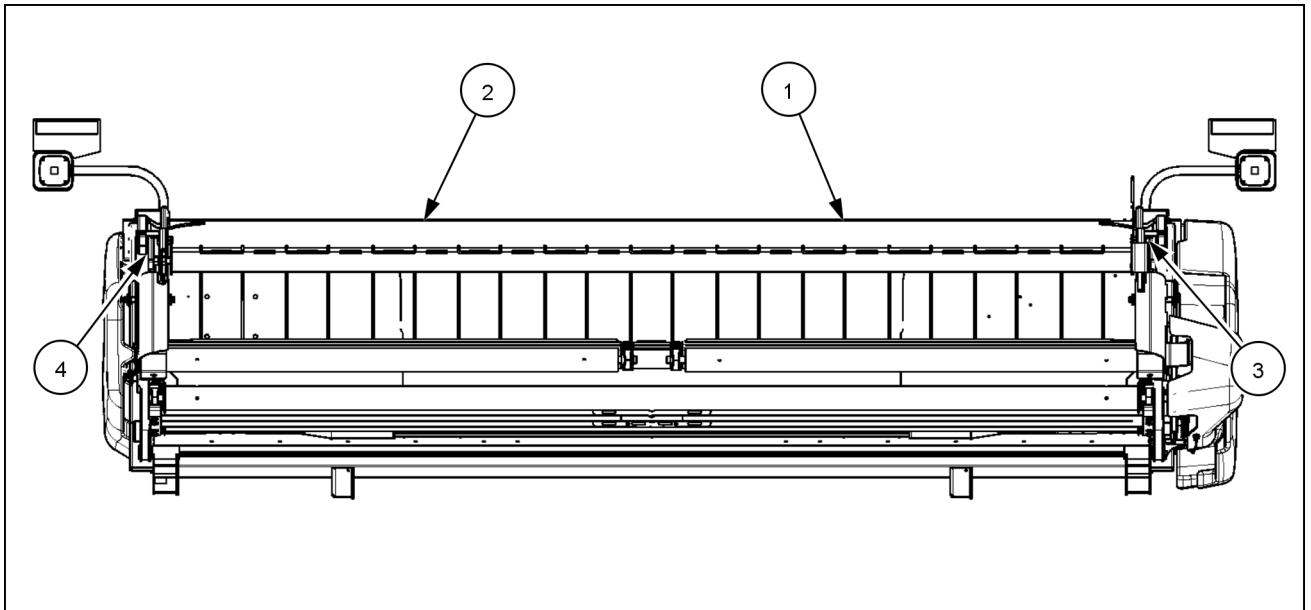
The following safety signs are placed on your machine as a guide for your safety and for those working with you. Walk around the machine and note the content and location of these safety signs before operating your machine.

Keep safety signs clean and legible. Clean safety signs with a soft cloth, water, and a gentle detergent. Do not use solvent, gasoline, or other harsh chemicals. Solvents, gasoline, and other harsh chemicals may damage or remove safety signs.

Replace all safety signs that are damaged, missing, painted over, or illegible. If a safety sign is on a part that is replaced, make sure the safety sign is installed on the new part. See your dealer for replacement safety signs.



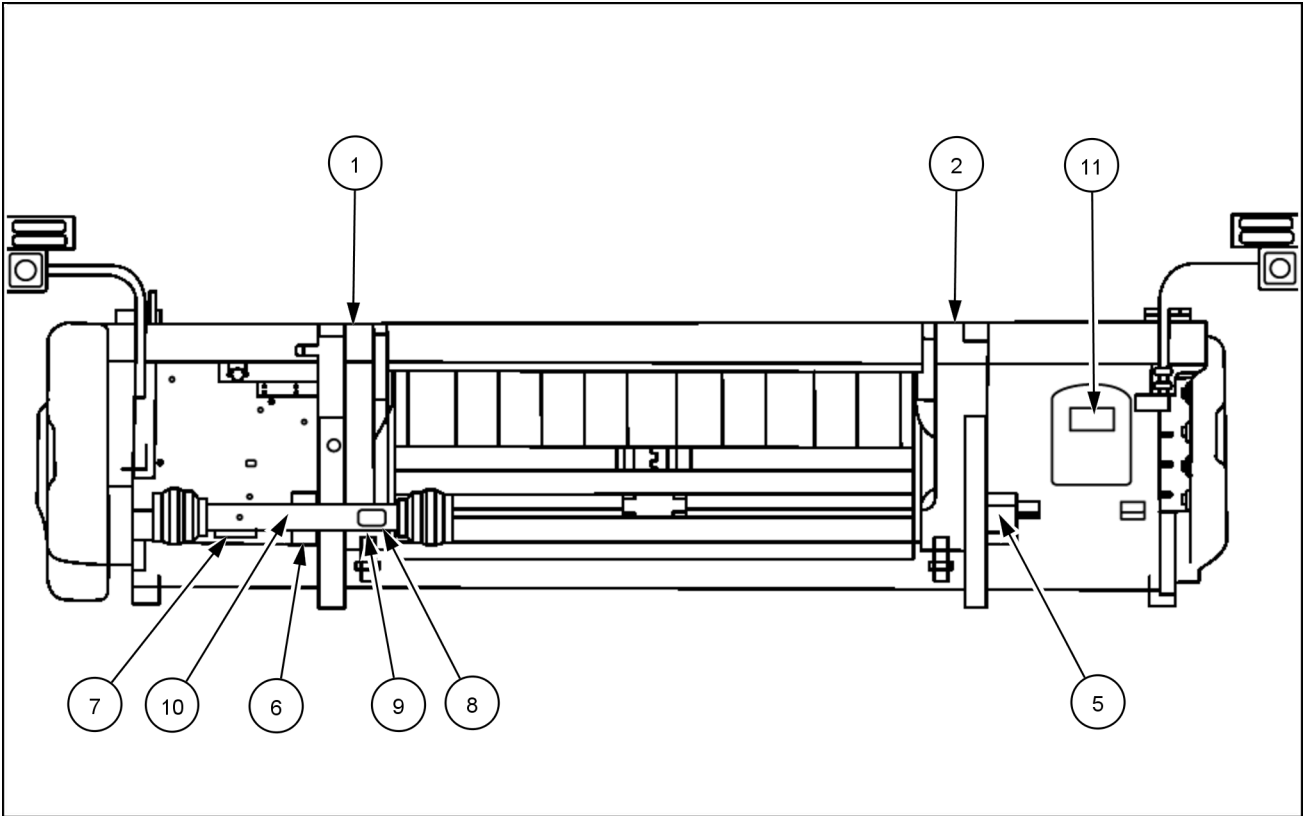
Safety signs that display the "Read Operator's Manual" symbol are intended to direct the operator to the operator's manual for further information regarding maintenance, adjustments, or procedures for particular areas of the machine. When a safety sign displays this symbol, refer to the appropriate page of the operator's manual.



93103372 1

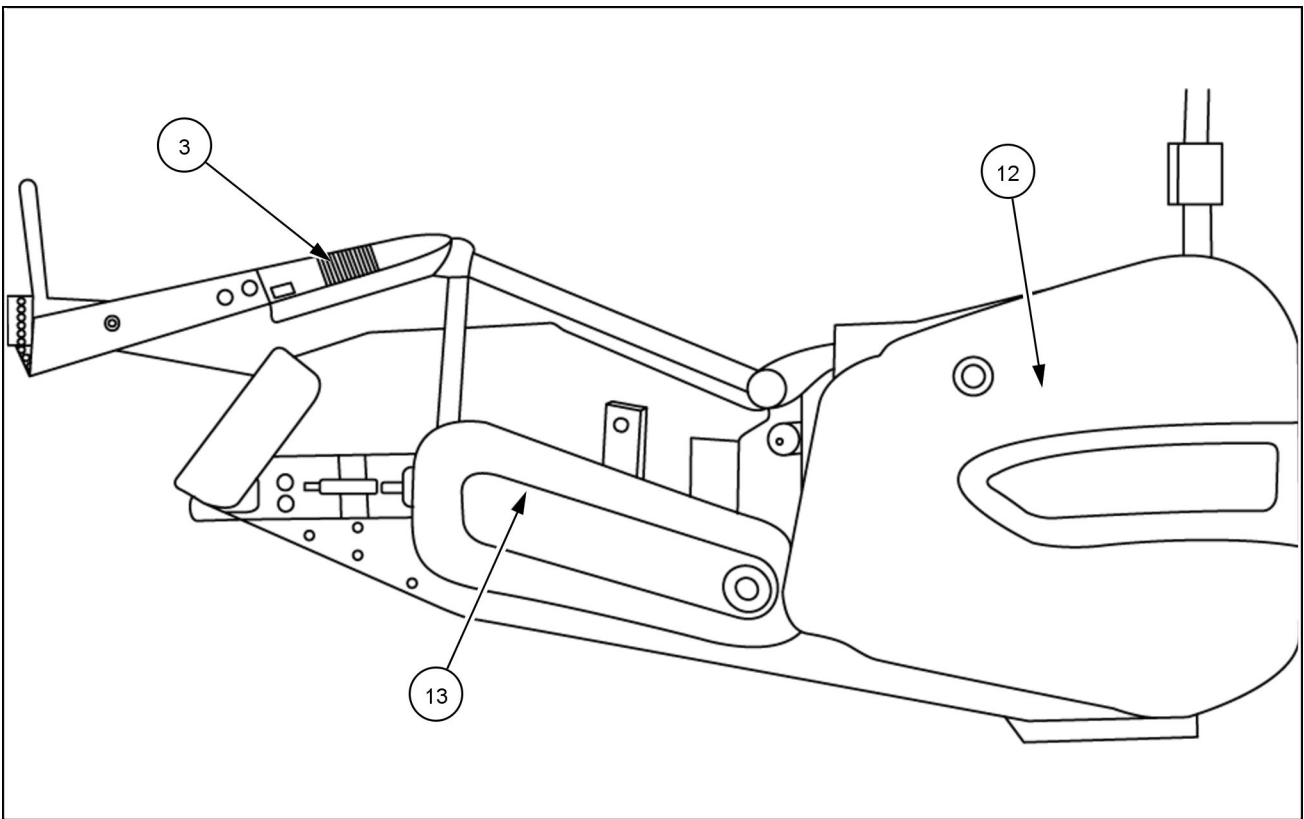
Front view

INTRODUCTION



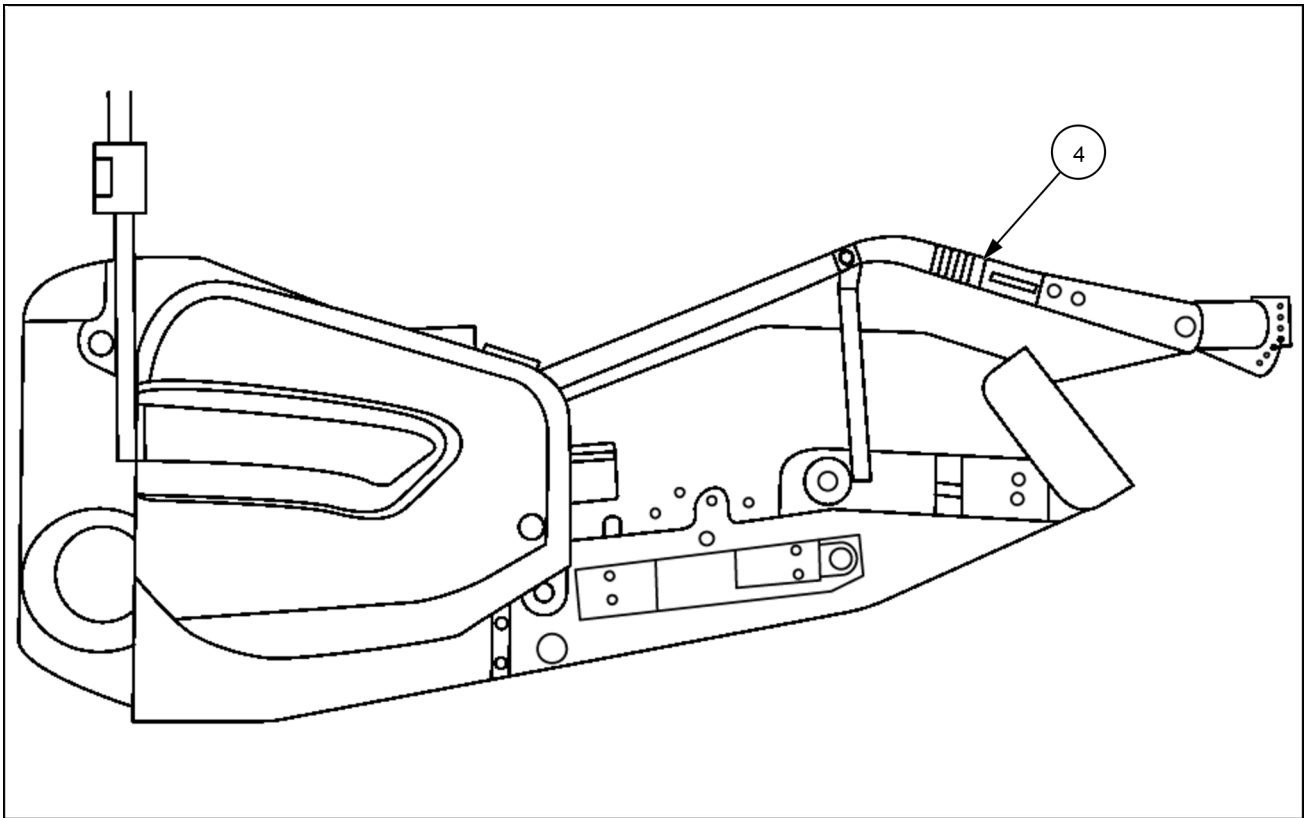
93103373 2

**Rear view**



93103371 3

**Left-Hand (LH) side**



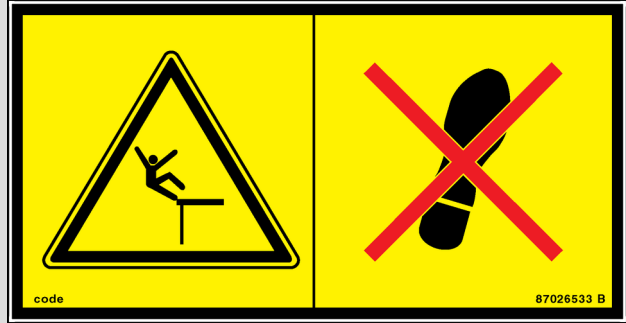
93103375 4

**Right-Hand (RH) side**

INTRODUCTION

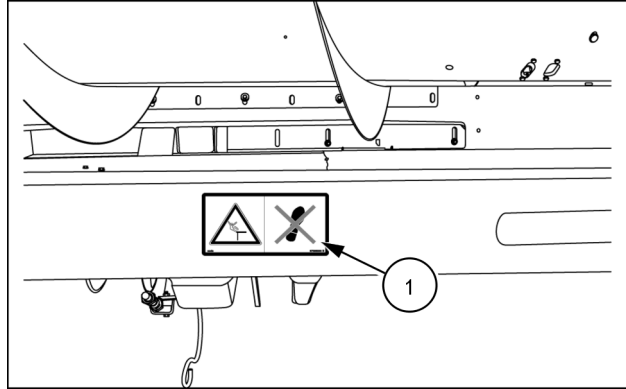
**WARNING**  
Slippery surface.  
Do not use this area as a step or platform.  
Failure to comply could result in death or serious injury.

Quantity: 2  
87026533



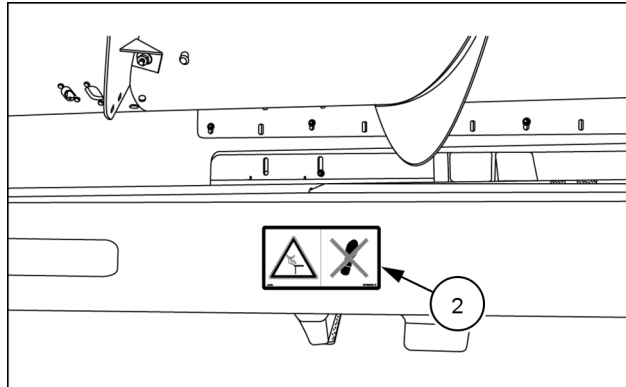
87026533\_B 5

(1) LH side of feeder opening on the top rail.



93101831A 6

(2) RH side of feeder opening on the top rail.



93101832A 7

INTRODUCTION

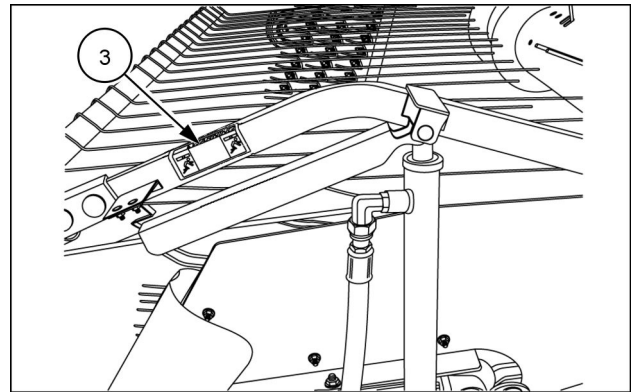
**WARNING**  
**Crush Hazard.**  
Engage safety latch before working under machine.  
Failure to comply could cause death or serious injury.

Quantity: 2  
84004735



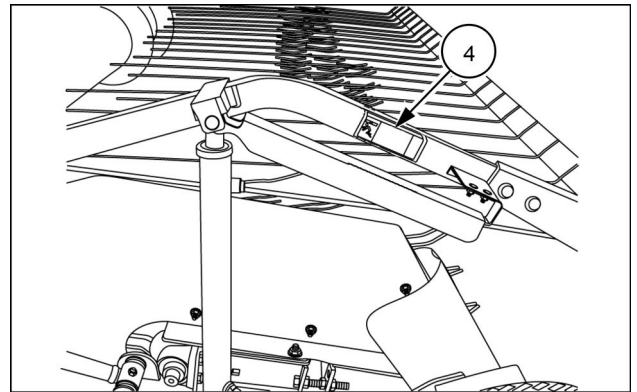
84004735 8

(3) LH side hold down arm.



93101786B 9

(4) RH side hold down arm.



93101789B 10

# INTRODUCTION

## DANGER

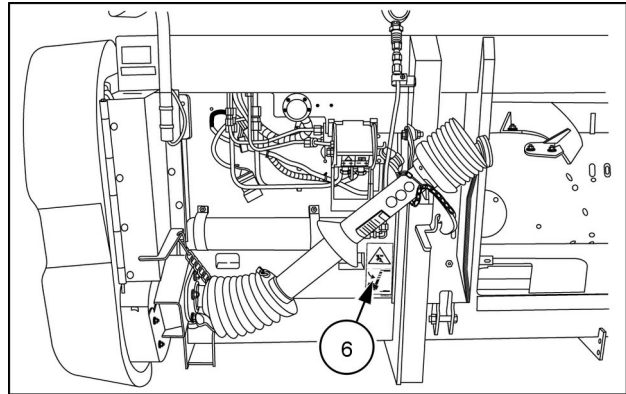
Rest header on the ground or set header lift cylinder safety lock before going under unit.  
Failure to comply will result in death or serious injury.

Quantity: 2  
84068808



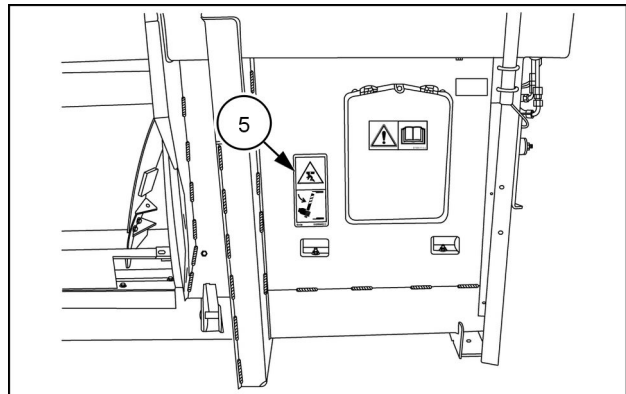
84068808\_B 11

(6) LH side rear panel.



NHIL13GH00073AA 12

(5) RH side rear panel.



NHIL13GH00075AA 13

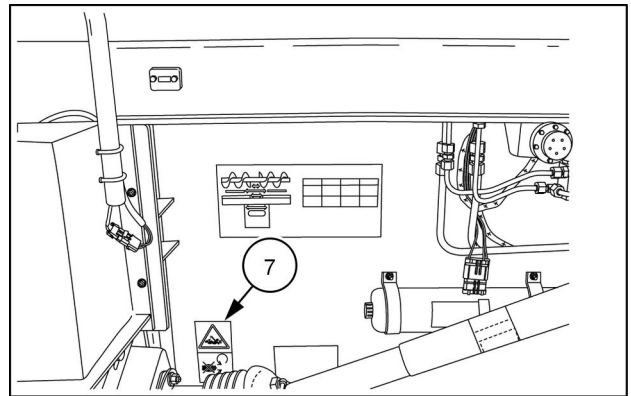
**DANGER**  
 Rotating drive line.  
 Keep all shields and guards in place.  
 Failure to comply will result in death or serious injury.

Quantity: 1  
 86999254



86999254 14

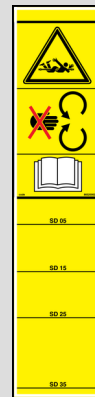
(7) On the rear panel behind the Power Take-Off (PTO) shaft.



NHIL13GH00060AA 15

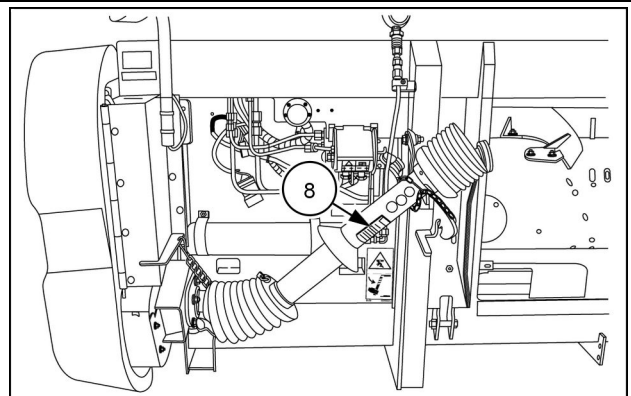
**DANGER**  
 Rotating drive line  
 Do not operate without:  
 All drive line, tractor and equipment shields in place.  
 Drive lines securely attached at both ends.  
 Drive line shields that turn freely on drive line.  
 Failure to comply will result in death or serious injury.

Quantity: 1  
 86520062



86520062\_B 16

(8) On the PTO shaft safety cover.



NHIL13GH00073AA 17



Thank you so much for reading.  
Please click the “Buy Now!”  
button below to download the  
complete manual.



After you pay.

You can download the most  
perfect and complete manual in  
the world immediately.

Our support email:

[ebooklibonline@outlook.com](mailto:ebooklibonline@outlook.com)