

**WDI904**  
**WD2304**  
**Tier 3**  
Self-Propelled Windrower

**SERVICE MANUAL**

Part number 47904532  
1<sup>st</sup> edition English  
August 2015





## SERVICE MANUAL

.....WD1904  
.....WD2304

# Link Product / Engine

---

<b>Product</b>	<b>Market Product</b>	<b>Engine</b>
WD1904 [ - YFG676501]	Middle East Africa	F4HE9687
WD1904 [ - YFG676501]	Asia Pacific	F4HE9687
WD1904 [ - YFG676501]	Australia New Zealand	F4HE9687
WD2304 [ - YFG676501]	Australia New Zealand	F4HE9687
WD2304 [ - YFG676501]	Asia Pacific	F4HE9687
WD2304 [ - YFG676501]	Middle East Africa	F4HE9687

# Contents

---

## INTRODUCTION

<b>Engine</b> .....	<b>10</b>
[10.001] Engine and crankcase .....	10.1
[10.202] Air cleaners and lines .....	10.2
[10.206] Fuel filters .....	10.3
[10.216] Fuel tanks .....	10.4
[10.218] Fuel injection system.....	10.5
[10.250] Turbocharger and lines.....	10.6
[10.254] Intake and exhaust manifolds and muffler .....	10.7
[10.400] Engine cooling system .....	10.8
[10.414] Fan and drive .....	10.9
<b>Front axle system</b> .....	<b>25</b>
[25.310] Final drives .....	25.1
<b>Rear axle system</b> .....	<b>27</b>
[27.550] Non-powered rear axle.....	27.1
<b>Hydrostatic drive</b> .....	<b>29</b>
[29.100] Transmission and steering hydrostatic control .....	29.1
[29.202] Hydrostatic transmission .....	29.2
[29.218] Pump and motor components.....	29.3
<b>Brakes and controls</b> .....	<b>33</b>
[33.110] Parking brake or parking lock .....	33.1
<b>Hydraulic systems</b> .....	<b>35</b>
[35.000] Hydraulic systems.....	35.1
[35.100] Main lift system.....	35.2
[35.105] Charge pump.....	35.3
[35.220] Auxiliary hydraulic pump and lines .....	35.4

[35.300] Reservoir, cooler, and filters.....	35.5
[35.304] Combination pump units .....	35.6
[35.410] Header or attachment height system .....	35.7
[35.415] Header or attachment tilting system .....	35.8
[35.760] Header reverser drive .....	35.9
[35.910] Head and header hydraulic drive .....	35.10
<b>Steering.....</b>	<b>41</b>
[41.101] Steering control .....	41.1
<b>Cab climate control .....</b>	<b>50</b>
[50.200] Air conditioning .....	50.1
<b>Electrical systems .....</b>	<b>55</b>
[55.000] Electrical system .....	55.1
[55.019] Hydrostatic drive control system .....	55.2
[55.050] Heating, Ventilation, and Air-Conditioning (HVAC) control system.....	55.3
[55.100] Harnesses and connectors.....	55.4
[55.640] Electronic modules.....	55.5
[55.DTC] FAULT CODES.....	55.6
<b>Platform, cab, bodywork, and decals .....</b>	<b>90</b>
[90.124] Pneumatically-adjusted operator seat.....	90.1
[90.150] Cab.....	90.2
[90.151] Cab interior.....	90.3
[90.154] Cab doors and hatches .....	90.4



# INTRODUCTION

# Contents

---

## INTRODUCTION

Foreword - Important notice regarding equipment servicing (*) .....	3
Foreword - Note to the dealer (*) .....	4
Safety rules (*) .....	5
Safety rules (*) .....	6
Personal safety - Emergency exit (*) .....	15
Personal safety - Hydraulic system safety (*) .....	16
Personal safety - Maintenance safety (*) .....	17
Safety rules - Ecology and the environment (*) .....	18
Personal safety - Do not operate tag (*) .....	19
Torque - Minimum tightening torques for normal assembly (*) .....	20
Torque - Standard torque data for hydraulics (*) .....	24
Basic instructions - Shop and assembly (*) .....	26
Hydraulic contamination (*) .....	28
Capacities (*) .....	29
Maintenance chart - Recommended operating temperature range (*) .....	30
General specification (*) .....	31
Product identification - Product Identification Number (PIN) (*) .....	35
Part identification - Engine serial number (*) .....	36
Product identification - Machine orientation (*) .....	37

(\*) See content for specific models

## Foreword - Important notice regarding equipment servicing

WD1904	ANZ Draper ready - Factory-fitted to accept draper --- ANZ Non draper ready - Not fitted for draper header --- APAC Draper ready - Factory-fitted to accept draper --- APAC Non draper ready - Not fitted for draper header --- MEA Draper ready - Factory-fitted to accept draper --- MEA Non draper ready - Not fitted for draper header
WD2304	ANZ Draper ready - Factory-fitted to accept draper --- ANZ Non draper ready - Not fitted for draper header --- APAC Draper ready - Factory-fitted to accept draper --- APAC Non draper ready - Not fitted for draper header --- MEA Draper ready - Factory-fitted to accept draper --- MEA Non draper ready - Not fitted for draper header

All repair and maintenance work listed in this manual must be carried out only by qualified dealership personnel, strictly complying with the instructions given, and using, whenever possible, the special tools.

Anyone who performs repair and maintenance operations without complying with the procedures provided herein shall be responsible for any subsequent damages.

The manufacturer and all the organizations of its distribution chain, including - without limitation - national, regional, or local dealers, reject any responsibility for damages caused by parts and/or components not approved by the manufacturer, including those used for the servicing or repair of the product manufactured or marketed by the manufacturer. In any case, no warranty is given or attributed on the product manufactured or marketed by the manufacturer in case of damages caused by parts and/or components not approved by the manufacturer.

The manufacturer reserves the right to make improvements in design and changes in specifications at any time without notice and without incurring any obligation to install them on units previously sold. Specifications, descriptions, and illustrative material herein are as accurate as known at time of publication but are subject to change without notice.

In case of questions, refer to your CASE IH Sales and Service Networks.



---

## Foreword - Note to the dealer

WD1904	ANZ --- APAC --- MEA
WD2304	ANZ --- APAC --- MEA

### Company policy

Company policy, which is one of continuous improvement, reserves the right to make changes in design and specifications at any time without notice and without obligation to modify units previously built.

All data given in this book is subject to production variations. Dimensions and weights are approximate only and the illustrations do not necessarily show windrowers in standard condition.

### Parts and accessories

Genuine CASE IH parts and accessories have been specifically designed for CASE IH MACHINES.

We would like to point out those "NON-GENUINE" parts and accessories have not been examined and released by CASE IH. The installation and or use of such products could have negative effects upon the design characteristics of your machine and thereby affect its safety. CASE IH is not liable for any damage caused by the use of "NON-GENUINE" CASE IH parts and accessories.

### Lubrication

Adequate lubrication and maintenance on a regular schedule is vital to maintaining your equipment. To ensure long service and efficient operation, follow the lubrication and maintenance schedules outlined in this manual. The use of proper fuels, oils, grease and filters, as well as keeping the systems clean, will also extend machine and component life.

**NOTICE:** Always use genuine CASE IH replacement parts, oils and filters to ensure proper operation, filtration of engine and hydraulic systems. See your CASE IH dealer for additional oil quantities.

---

## Safety rules

WD1904	ANZ --- APAC --- MEA
WD2304	ANZ --- APAC --- MEA


### Personal safety





This is the safety alert symbol. It is used to alert you to potential personal injury hazards. Obey all safety messages that follow this symbol to avoid possible death or injury.

Throughout this manual you will find the signal words DANGER, WARNING, and CAUTION followed by special instructions. These precautions are intended for the personal safety of you and those working with you.

Read and understand all the safety messages in this manual before you operate or service the machine.

 DANGER indicates a hazardous situation that, if not avoided, will result in death or serious injury.

 WARNING indicates a hazardous situation that, if not avoided, could result in death or serious injury.

 CAUTION indicates a hazardous situation that, if not avoided, could result in minor or moderate injury.

### **FAILURE TO FOLLOW DANGER, WARNING, AND CAUTION MESSAGES COULD RESULT IN DEATH OR SERIOUS INJURY.**

### Machine safety

**NOTICE:** Notice indicates a situation that, if not avoided, could result in machine or property damage.

Throughout this manual you will find the signal word Notice followed by special instructions to prevent machine or property damage. The word Notice is used to address practices not related to personal safety.

### Information

**NOTE:** Note indicates additional information that clarifies steps, procedures, or other information in this manual.

Throughout this manual you will find the word Note followed by additional information about a step, procedure, or other information in the manual. The word Note is not intended to address personal safety or property damage.

## Safety rules

WD1904	ANZ --- APAC --- MEA
WD2304	ANZ --- APAC --- MEA

### General safety rules

Use caution when operating the machine on slopes. Raised equipment, full tanks and other loads will change the center of gravity of the machine. The machine can tip or roll over when near ditches and embankments or uneven surfaces.

- Only skilled operators who are familiar with all the controls and harvesting techniques should use the equipment. It is recommended to operate on cultivated land with slopes no greater than **26 % ( 15 ° )** uphill and downhill.
- If necessary, when driving downhill change into a lower gear before starting the descent. Machine must be stopped to downshift into a lower gear.

Never permit anyone other than the operator to ride on the machine.

Never operate the machine under the influence of alcohol, drugs, or while otherwise impaired.

Pay attention to overhead power lines and hanging obstacles. High voltage lines may require significant clearance for safety.

Hydraulic oil or diesel fuel leaking under pressure can penetrate the skin, causing serious injury or infection.

- DO NOT use your hand to check for leaks. Use a piece of cardboard or paper.
- Stop engine, remove key and relieve the pressure before connecting or disconnecting fluid lines.
- Make sure all components are in good condition and tighten all connections before starting the engine or pressurizing the system.
- If hydraulic fluid or diesel fuel penetrates the skin, seek medical attention immediately.
- Continuous long term contact with hydraulic fluid may cause skin cancer. Avoid long term contact and wash the skin promptly with soap and water.

Keep clear of moving parts. Loose clothing, jewelry, watches, long hair, and other loose or hanging items can become entangled in moving parts.

Wear protective equipment when appropriate.

DO NOT attempt to remove material from any part of the machine while it is being operated or components are in motion.

Make sure all guards and shields are in good condition and properly installed before operating the machine. Never operate the machine with shields removed. Always close access doors or panels before operating the machine.

Dirty or slippery steps, ladders, walkways, and platforms can cause falls. Make sure these surfaces remain clean and clear of debris.

A person or pet within the operating area of a machine can be struck or crushed by the machine or its equipment. DO NOT allow anyone to enter the work area.

Raised equipment and/or loads can fall unexpectedly and crush persons underneath. Never allow anyone to enter the area underneath raised equipment during operation.

Never operate engine in enclosed spaces as harmful exhaust gases may build up.

Before starting the machine, be sure that all controls are in neutral or park lock position.

Start the engine only from the operator's seat. If the safety start switch is bypassed, the engine can start with the transmission in gear. Do not connect or short across terminals on the starter solenoid. Attach jumper cables as described in the manual. Starting in gear may cause death or serious injury.

Always keep windows, mirrors, all lighting, and Slow Moving Vehicle (SMV) emblem clean to provide the best possible visibility while operating the machine.

Operate controls only when seated in the operator's seat, except for those controls expressly intended for use from other locations.

Before leaving the machine:

1. Park machine on a firm level surface.
2. Put all controls in neutral or park lock position.
3. Engage park brake, use wheel chocks if required.
4. Lower all hydraulic equipment — Implements, header, etc.
5. Turn off engine and remove key.

When, due to exceptional circumstances, you would decide to keep the engine running after leaving the operator's station, then the following precautions must be followed:

1. Bring the engine to low idle speed.
2. Disengage all drive systems.

3. **⚠ WARNING**

**Some components may continue to run down after disengaging drive systems.  
Make sure all drive systems are fully disengaged.  
Failure to comply could result in death or serious injury.**

W0113A

Shift the transmission into neutral.

4. Apply the parking brake.

**⚠ General maintenance safety ⚠**

Keep area used for servicing the machine clean and dry. Clean up spilled fluids.

Service machine on a firm level surface.

Install guards and shields after servicing the machine.

Close all access doors and install all panels after servicing the machine.

Do not attempt to clean, lubricate, clear obstructions or make adjustments to the machine while it is in motion or while the engine is running.

Always make sure working area is clear of tools, parts, other persons and pets before you start operating the machine.

Unsupported hydraulic cylinders can lose pressure and drop the equipment causing a crushing hazard. Do not leave equipment in a raised position while parked or during service, unless securely supported.

Jack or lift the machine only at jack or lift points indicated in this manual.

Incorrect towing procedures can cause accidents. When towing a disabled machine follow the procedure in this manual. Use only rigid tow bars.

Stop the engine, remove key and relieve pressure before disconnecting or connecting fluid lines.

Stop the engine and remove key before disconnecting or connecting electrical connections.

Scalding can result from incorrect removal of coolant caps. Cooling system operates under pressure. Hot coolant can spray out if a cap is removed while the system is hot. Allow system to cool before removing cap. When removing a cap turn it slowly to allow pressure to escape before completely removing the cap.

Replace damaged or worn tubes, hoses, electrical wiring, etc.

Engine, transmission, exhaust components, and hydraulic lines may become hot during operation. Take care when servicing such components. Allow surfaces to cool before handling or disconnecting hot components. Wear protective equipment when appropriate.

When welding, follow this instructions in the manual. Always disconnect the battery before welding on the machine. Always wash your hands after handling battery components.

### **Wheels and tires**

Make sure tires are correctly inflated. Do not exceed recommended load or pressure. Follow instructions in the manual for proper tire inflation.

Tires are heavy. Handling tires without proper equipment could cause death or serious injury.

Always have a qualified tire technician service the tires and wheels. If a tire has lost all pressure, take the tire and wheel to a tire shop or your dealer for service. Explosive separation of the tire can cause serious injury.

DO NOT weld to a wheel or rim until the tire is completely removed. Inflated tires can generate a gas mixture with the air than can be ignited by high temperatures from welding procedures performed on the wheel or rim. Removing the air or loosening the tire on the rim (breaking the bead) will NOT eliminate the hazard. This condition can exist whether tires are inflated or deflated. The tire MUST be completely removed from the wheel or rim prior to welding the wheel or rim.

### **Driving on public roads and general transportation safety**

Comply with local laws and regulations.

Use appropriate lighting to meet local regulations.

Make sure SMV emblem is visible.

Lift implements and attachments high enough above ground to prevent accidental contact with road.

When transporting equipment or machine on a transport trailer, make sure it is properly secured. Be sure the SMV emblem on the equipment or machine is covered while being transported on a trailer.

Be aware of overhead structures or power lines and make sure the machine and/or attachments can pass safely under.

Travel speed should be such that complete control and machine stability is maintained at all times.

Slow down and signal before turning.

Pull over to allow faster traffic to pass.

Follow correct towing procedure for equipment with or without brakes.

### **Fire and explosion prevention**

Fuel or oil leaked or spills on hot surfaces or electrical components can cause a fire.

Crop materials, trash, debris, bird nests, or flammable material can ignite on hot surfaces.

Always have a fire extinguisher on or near the machine.

At least once each day and at the end of the day remove all trash and debris from the machine especially around hot components such as engine, transmission, exhaust, battery, etc. More frequent cleaning of your machine may be necessary depending on the operating environment and conditions.

At least once each day, remove debris accumulation around moving components such as bearings, pulleys, belts, gears, cleaning fan, etc. More frequent cleaning of your machine may be necessary depending on the operating environment and conditions.

Inspect the electrical system for loose connections or frayed insulation. Repair or replace loose or damaged parts.

Do not store oily rags or other flammable material on the machine.

Do not weld or flame cut any items that contain flammable material. Clean items thoroughly with non-flammable solvents before welding or flame-cutting.

Do not expose the machine to flames, burning brush, or explosives.

Promptly investigate any unusual smells or odors that may occur during operation of the machine.

### **General battery safety**

Always wear eye protection when working with batteries.

Do not create sparks or have open flame near battery.

Ventilate when charging or using in an enclosed area.

Disconnect negative (-) first and reconnect negative (-) last.

When welding on the machine, disconnect both terminals of the battery.

Do not weld, grind, or smoke near a battery.

When using auxiliary batteries or connecting jumper cables to start the engine, use the procedure shown in the operator's manual. Do not short across terminals.

Follow manufacturer's instructions when storing and handling batteries.

Battery post, terminals, and related accessories contain lead and lead compounds. Wash hands after handling. This is a California Proposition 65 warning.

Battery acid causes burns. Batteries contain sulfuric acid. Avoid contact with skin, eyes, or clothing. Antidote (external): Flush with water. Antidote (eyes): flush with water for 15 minutes and seek medical attention immediately. Antidote (internal): Drink large quantities of water or milk. Do not induce vomiting. Seek medical attention immediately.

Keep out of reach of children and other unauthorized persons.

### **Instructional seat safety**

Passengers are not permitted to ride on the machine.

The instructional seat is to be used only when training a new operator or when a service technician is diagnosing a problem.

When required for the purposes of training or diagnostics, only one person may accompany the operator and that person must be seated in the instructional seat.

When the instructional seat is occupied, the following precautions must be followed:

- Machine should be driven only at slow speeds and over level ground.
- Avoid driving on highways or public roads.
- Avoid quick starts or stops.
- Avoid sharp turns.
- Always wear correctly adjusted seat belts.
- Keep door closed at all times.

## **⚠ Operator presence system ⚠**

Your machine is equipped with an operator presence system to prevent the use of some features while the operator is not in the operator's seat.

The operator presence system should never be disconnected or bypassed.

If the system is inoperable, the system must be repaired.

## **⚠ Power Take-Off (PTO) ⚠**

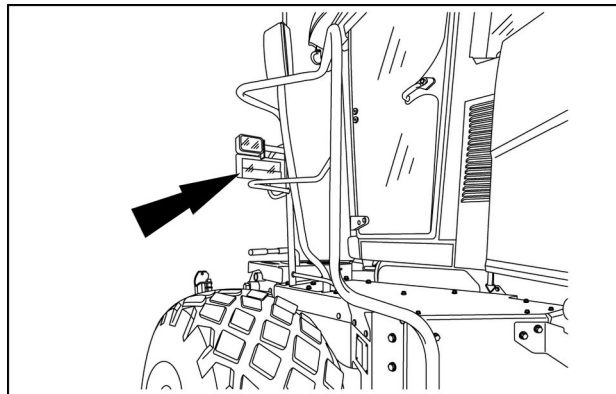
PTO-driven machinery can cause death or serious injury. Before working on or near the PTO shaft or servicing or clearing the driven machine, put the PTO switch in the disengage position, stop the engine, and remove the key.

Whenever a PTO is in operation, all guards must be in place to prevent death or injury to the operator or bystanders.

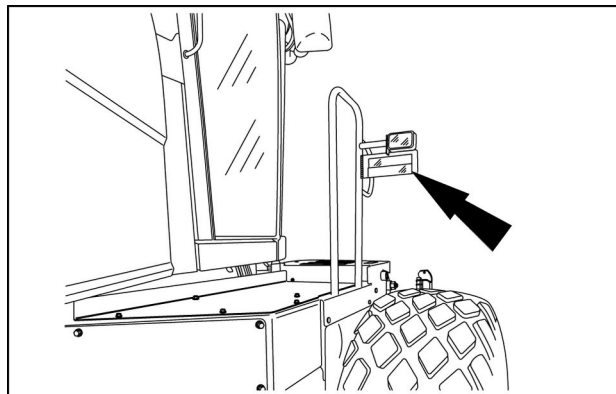
## **⚠ Reflectors and warning lights ⚠**

Reflectors are located on the handrails in the areas as shown in Figure 1.

Flashing amber warning lights must be used when operating on public roads.



NHIL14WR00278AA 1



NHIL14WR00279AA 2

## **⚠ Seat belts ⚠**

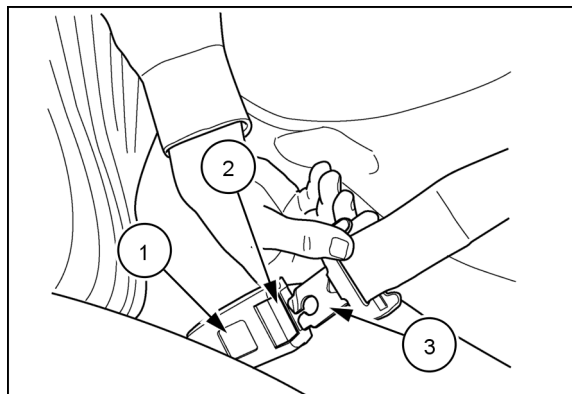
Seat belts must be worn at all times.

Seat belt inspection and maintenance:

- Keep seat belts in good condition.
- Keep sharp edges and items that can cause damage away from the belts.
- Periodically check belts, buckles, retractors, tethers, slack take-up system, and mounting bolts for damage and wear.
- Replace all parts that have damage or wear.
- Replace belts that have cuts that can make the belt weak.
- Check that bolts are tight on the seat bracket or mounting.
- If belt is attached to seat, make sure seat or seat brackets are mounted securely.
- Keep seat belts clean and dry.
- Clean belts only with soap solution and warm water.
- Do not use bleach or dye on the belts because this can make the belts weak.

To fasten the belt, pull it from the reel and push the tongue end **(3)** into the buckle end **(2)** until a "click" indicates it is fully engaged.

To release the belt, push the red release button **(1)** on the buckle and pull the tongue from the buckle.



10041220 3

## **⚠ Air-conditioning system ⚠**

The air-conditioning system is under high pressure. Do not disconnect any lines. The release of high pressure can cause serious injury.

The air-conditioning system contains gases that are harmful to the environment when released into the atmosphere. Do not attempt to service or repair the system.

Service, repair, or recharging must be performed only by a trained service technician.

## **⚠ Personal Protective Equipment (PPE) ⚠**

Wear Personal Protective Equipment (PPE) such as hard hat, eye protection, heavy gloves, hearing protection, protective clothing, etc.



---

## **Do Not Operate tag**

Before you start servicing the machine, attach a 'Do Not Operate' warning tag to the machine in an area that will be visible.

## **Hazardous chemicals**

If you are exposed to or come in contact with hazardous chemicals you can be seriously injured. The fluids, lubricants, paints, adhesives, coolant, etc. required for the function of your machine can be hazardous. They may be attractive and harmful to domestic animals as well as humans.

Material Safety Data Sheets (MSDS) provide information about the chemical substances within a product, safe handling and storage procedures, first aid measures and procedures to be taken in the event of a spill or accidental release. MSDS are available from your dealer.

Before you service your machine, check the MSDS for each lubricant, fluid, etc. used in this machine. This information indicates the associated risks and will help you service the machine safely. Follow the information in the MSDS, on manufacturer containers, as well as the information in this manual when servicing the machine.

Dispose of all fluids, filters, and containers in an environmentally safe manner according to local laws and regulations. Check with local environmental and recycling centers or your dealer for correct disposal information.

Store fluids and filters in accordance with local laws and regulations. Use only appropriate containers for the storage of chemicals or petrochemical substances.

Keep out of reach of children or other unauthorized persons.

Additional precautions are required for applied chemicals. Obtain complete information from the manufacturer or distributor of the chemicals before using them.

## **Utility safety**

Make sure the machine has sufficient clearance to pass in all directions. Pay special attention to overhead power lines and hanging obstacles. High voltage lines may require significant clearance for safety. Contact local authorities or utilities to obtain safe clearance distances from high voltage power lines.

Retract raised or extended components, if necessary. Remove or lower radio antennas or other accessories. Should a contact between the machine and an electric power source occur, the following precautions must be taken:

- Stop the machine movement immediately.
- Apply the park brake, stop the engine, and remove the key.
- Check if you can safely leave the cab or your actual position without contact with electrical wires. If not, stay in your position and call for help. If you can leave your position without touching lines, jump clear of the machine to make sure you do not make contact with the ground and the machine at the same time.
- Do not permit anyone to touch the machine until power has been shut off to the power lines.

---

## Working at heights

When the normal use and maintenance of the machine requires working at heights:

- Correctly use installed steps, ladders, and railings.
- Never use ladders, steps, or railings while the machine is moving.
- Do not stand on surfaces which are not designated as steps or platforms.

Do not use the machine as a lift, ladder, or platform for working at heights.

## Lifting and overhead loads

Do not use raised equipment as a work platform.

Know the full area of movement of the machine and equipment and do not enter or permit anyone to enter the area of movement while the machine is in operation.

Never enter or permit anyone to enter the area underneath raised equipment. Equipment and/or loads can fall unexpectedly and crush persons underneath it.

Do not leave equipment in raised position while parked or during service, unless securely supported. Hydraulic cylinders must be mechanically locked or supported if they are left in a raised position for service or access.

Headers or other lifting and handling equipment and its load will change the center of gravity of the machine. This can cause the machine to tip on slopes or uneven ground.

Equipment and associated loads can block visibility and cause an accident. Do not operate with insufficient visibility.

## Mounting and dismounting

Mount and dismount the machine only at designated locations that have handholds, steps, or ladders.

Do not jump off the machine.

Make sure steps, ladders, and platforms remain clean and clear of debris and foreign substances. Injury may result from slippery surfaces.

Face the machine when mounting and dismounting.

Maintain a three-point contact with steps, ladders, and handholds.

Never mount or dismount from a moving machine.

Do not use the steering wheel or other controls or accessories as handholds when entering or exiting the cab or operator's platform.

---

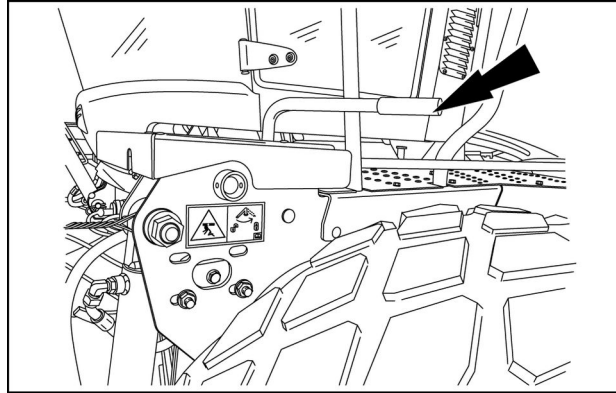
**⚠ Header lift locks ⚠**

Do not work under the machine header unless it is securely blocked and/or the header safety latch is engaged.

Header will fall rapidly if hydraulic lift system should fail.

Rest header on ground or engage lift cylinder lockouts when working around raised header.

The header lift locks are engaged on the left-hand side of the machine by pushing handle rearward, as shown.



NHIL14WR00275AA 4

## Personal safety - Emergency exit

WD1904  
WD2304

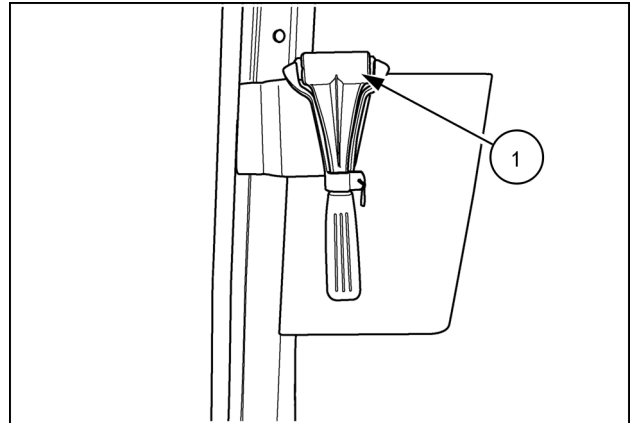
ANZ --- APAC --- MEA  
ANZ --- APAC --- MEA

### **⚠ WARNING**

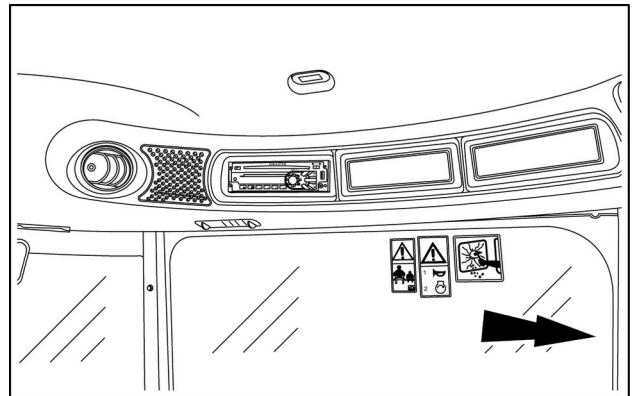
**Flying objects!**  
Some of the glass could shatter inward. Cover your head, particularly your eyes, while using the hammer. Use a shirt or a jacket, or your arm, for protection.  
Failure to comply could result in death or serious injury.

W0114A

If it becomes impossible to open the cab door, while in the cab, you can use the right cab window as an emergency exit. Remove the hammer (1) from the bracket on the right rear post of the cab. Use the pointed hammer to shatter one of the windows.



10041203 1



NHIL14WR00268AA 2

## Personal safety - Hydraulic system safety

WD1904

ANZ --- APAC --- MEA

WD2304

ANZ --- APAC --- MEA

### DANGER

**Pressurized system!**

Always remove all pressure before working on the hydraulic system. Follow the pressure BLEED program in the Configuration Mode to remove the pressure in the entire hydraulic system.

Failure to comply will result in death or serious injury.

D0035A

### WARNING

**Escaping fluid!**

Hydraulic fluid or diesel fuel leaking under pressure can penetrate the skin and cause infection or other injury. To prevent personal injury: Relieve all pressure before disconnecting fluid lines or performing work on the hydraulic system. Before applying pressure, make sure all connections are tight and all components are in good condition. Never use your hand to check for suspected leaks under pressure. Use a piece of cardboard or wood for this purpose. If injured by leaking fluid, see your doctor immediately.

Failure to comply could result in death or serious injury.

W0178A

### WARNING

**Escaping fluid!**

If a hydraulic hose, line, or pipe shows signs of wear or damage, replace the component IMMEDIATELY.

Failure to comply could result in death or serious injury.

W0297A

### WARNING

**Pressurized system!**

Hydraulic accumulators contain gas and oil under pressure. Service or repair must be performed only by trained service technician.

Failure to comply could result in death or serious injury.

W1176B

**NOTE:** The accumulator(s) keeps the hydraulic flotation system at a high pressure, even without the engine running.

## Personal safety - Maintenance safety

WD1904	ANZ --- APAC --- MEA
WD2304	ANZ --- APAC --- MEA

### **⚠ WARNING**

**Avoid injury! Always do the following before lubricating, maintaining, or servicing the machine.**

1. Disengage all drives.
2. Engage parking brake.
3. Lower all attachments to the ground, or raise and engage all safety locks.
4. Shut off engine.
5. Remove key from key switch.
6. Wait for all machine movement to stop.

Failure to comply could result in death or serious injury.

W1299A

### **⚠ WARNING**

**Burn hazard!**

**Be very careful to avoid contact with hot fluids. If fluid is extremely hot, allow it to cool to a moderately warm temperature before proceeding.**

Failure to comply could result in death or serious injury.

W0362A

### **⚠ WARNING**

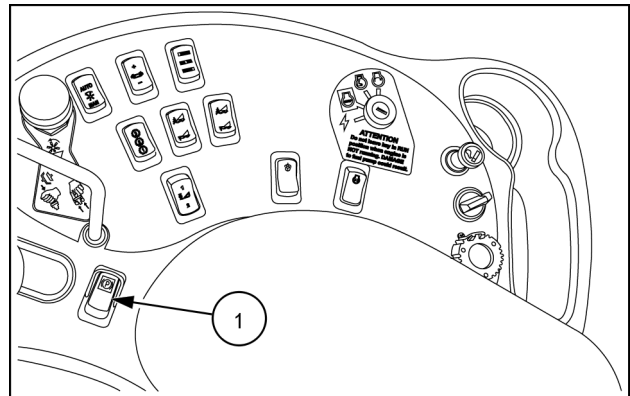
**Illustrations in this manual may show protective shielding open or removed to better illustrate a particular feature or adjustment.**

**Replace all shields before operating the machine.**

Failure to comply could result in death or serious injury.

W0012A

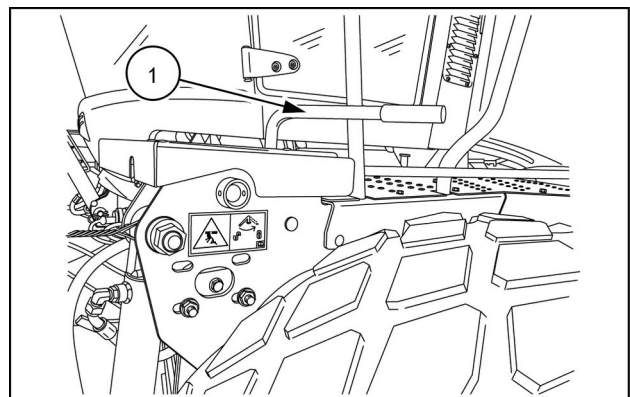
Apply the parking brake **(1)** and shut off the engine.



NHIL13WR00516AA 1

Whenever the header is raised, engage the header lift locks **(1)**.

**NOTICE:** Keep the windrower free from crop debris and oil to prevent fires.



NHIL14WR00275AA 2

## Safety rules - Ecology and the environment

WD1904	ANZ --- APAC --- MEA
WD2304	ANZ --- APAC --- MEA

Soil, air, and water quality is important for all industries and life in general. When legislation does not yet rule the treatment of some of the substances that advanced technology requires, sound judgment should govern the use and disposal of products of a chemical and petrochemical nature.

Familiarize yourself with the relative legislation applicable to your country, and make sure that you understand this legislation. Where no legislation exists, obtain information from suppliers of oils, filters, batteries, fuels, anti-freeze, cleaning agents, etc., with regard to the effect of these substances on man and nature and how to safely store, use, and dispose of these substances.

### Helpful hints

- Avoid the use of cans or other inappropriate pressurized fuel delivery systems to fill tanks. Such delivery systems may cause considerable spillage.
- In general, avoid skin contact with all fuels, oils, acids, solvents, etc. Most of these products contain substances that may be harmful to your health.
- Modern oils contain additives. Do not burn contaminated fuels and or waste oils in ordinary heating systems.
- Avoid spillage when you drain fluids such as used engine coolant mixtures, engine oil, hydraulic fluid, brake fluid, etc. Do not mix drained brake fluids or fuels with lubricants. Store all drained fluids safely until you can dispose of the fluids in a proper way that complies with all local legislation and available resources.
- Do not allow coolant mixtures to get into the soil. Collect and dispose of coolant mixtures properly.
- The air-conditioning system contains gases that should not be released into the atmosphere. Consult an air-conditioning specialist or use a special extractor to recharge the system properly.
- Repair any leaks or defects in the engine cooling system or hydraulic system immediately.
- Do not increase the pressure in a pressurized circuit as this may lead to a component failure.
- Protect hoses during welding. Penetrating weld splatter may burn a hole or weaken hoses, allowing the loss of oils, coolant, etc.

### Battery recycling

Batteries and electric accumulators contain several substances that can have a harmful effect on the environment if the batteries are not properly recycled after use. Improper disposal of batteries can contaminate the soil, groundwater, and waterways. CASE IH strongly recommends that you return all used batteries to a CASE IH dealer, who will dispose of the used batteries or recycle the used batteries properly. In some countries, this is a legal requirement.



### Mandatory battery recycling

**NOTE:** *The following requirements are mandatory in Brazil.*

Batteries are made of lead plates and a sulfuric acid solution. Because batteries contain heavy metals such as lead, CONAMA Resolution 401/2008 requires you to return all used batteries to the battery dealer when you replace any batteries. Do not dispose of batteries in your household garbage.

Points of sale are obliged to:

- Accept the return of your used batteries
- Store the returned batteries in a suitable location
- Send the returned batteries to the battery manufacturer for recycling

Thank you so much for reading.  
Please click the “Buy Now!”  
button below to download the  
complete manual.



After you pay.

You can download the most  
perfect and complete manual in  
the world immediately.

Our support email:

[ebooklibonline@outlook.com](mailto:ebooklibonline@outlook.com)