

OPERATOR'S MANUAL

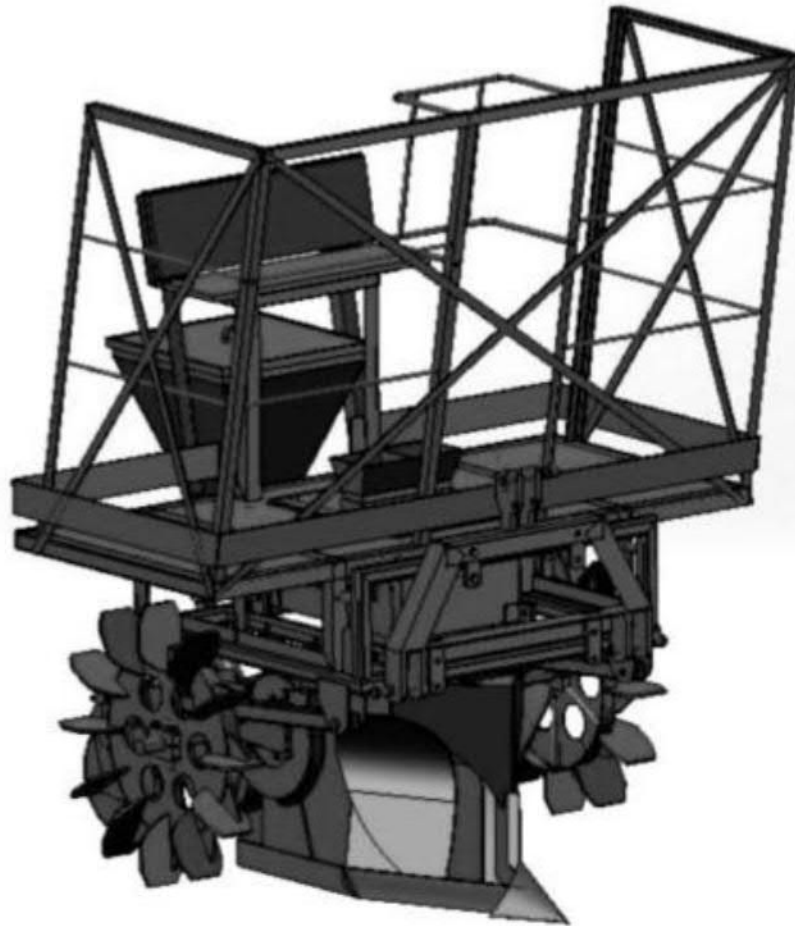
SUGARCANE PLANTER

MODEL SP3030, SP3130, SP3040, SP3140

GREENSYSTEM™

OPERATOR'S MANUAL

SUGARCANE PLANTER



John Deere SE Asia

Introduction:

READ THIS MANUAL carefully to learn how to operate and service your machine correctly. Failure to do so could result in personal injury or equipment damage.

THIS MANUAL SHOULD BE CONSIDERED a permanent part of your machine and should remain with the machine when you sell it.

MEASUREMENTS in this manual are given in both metric and customary U.S. unit equivalents. Use only correct replacement parts and fasteners. Metric and inch fasteners may require a specific metric or inch wrench. RIGHT-HAND AND LEFT-HAND sides are determined by facing in the direction of forward travel.

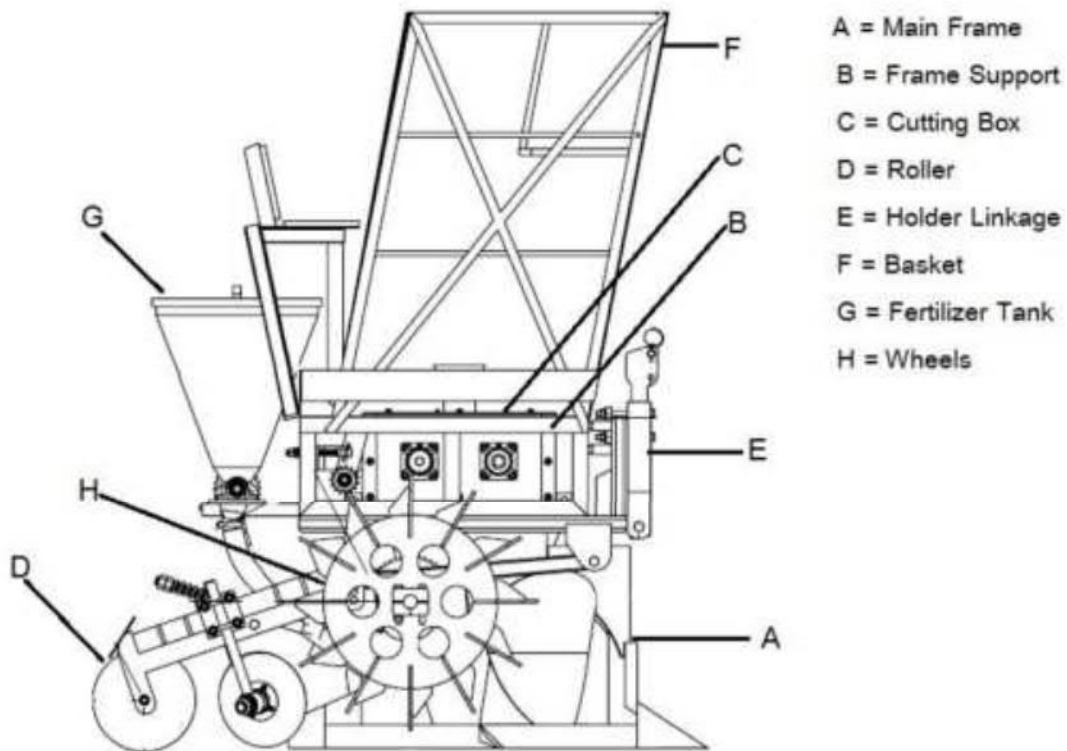
WRITE PRODUCT IDENTIFICATION NUMBERS (P.I.N.) in the Specification or Identification Numbers Section.

Accurately record all the numbers to help in tracing the machine should it be stolen. File the identification numbers in a secure place; do not keep them on the machine.

WARRANTY is provided as part of John Deere's support program for customers who operate and maintain their equipment as described in this manual. The warranty is explained on the warranty certificate which you should have received from your dealer.

This warranty provides you the assurance that John Deere will back its products where defects appear within the warranty period. In some circumstances, John Deere also provides field improvements, often without charge to the customer, even if the product is out of warranty.

Should the equipment be abused, or modified to change its performance beyond the original factory specifications, the warranty will become void and field improvements may be denied.



A Message to Our Customers

We appreciate the confidence placed in us by your purchase of this machine. Before this machine was brought to the market, countless hours were spent designing and testing to ensure that its performance would be at the highest level. To achieve maximum performance, it is imperative this machine be operated in accordance with the procedures outlined in this manual. Information in this manual is divided into sections. These sections are identified at the top of each page. Specific information within each section is organized into modules. These modules are encased in boxes

with principle modules identified with a heading at the top left side of the box. Two-part page numbers identify both the section and page of that section.

By reviewing this manual often, one will quickly learn which section to go to for specific information. For instance, machine adjustments would be found in the Operating Machine section, lubrication intervals in the Lubrication section, opener maintenance in the Service section, etc. A detailed Table of Contents is found immediately behind this page.

Thank you very much for purchasing this machine.

Customer Responsibility

It is the Customer or Operator's responsibility to read the Operator's Manual, to operate, lubricate, maintain and store the product in accordance with all instructions and safety procedures. Failure of the operator to read the Operator's Manual is a misuse of this equipment.

It is the Customer's or Operator's responsibility to inspect the product and to have any parts repaired or replaced when continued operation would cause damage or excessive wear to other parts or cause safety hazards.

It is the Customer's responsibility to deliver the product to Authorized Dealer, from whom they purchased it, for service or replacement of defective parts which are covered by warranty. Repairs to be submitted for warranty consideration must be made within thirty days (30) of failure.

It is the Customer's responsibility for any cost incurred by the Dealer for travelling to or hauling of the product for the purpose of performing a warranty obligation or inspection.

Contents

Page	Page
Inspection Checklists	Attaching and Detaching Sugarcane Planter
Pre-Delivery Inspection6	Use Your Tractor Operator's Manual 19
Owner's Record.....6	Tractor Requirement..... 19
Delivery Inspection6	Attaching Sugarcane planter to Tractor.....19
After-Sales Inspection7	Detaching Sugarcane planter from Tractor 20
Inspection Before Each Day of Operation7	
Inspection Before Each Season7	Transporting
Installation Instruction.....7	Transport Safely20
Equipment matching8	
	Operating Sugarcane Planter
Safety	Parking22
Recognize safety information.....9	Field Operation23
Understand Signal Words.....9	
Follow Safety Instructions.....9	Adjustments
Operate Machine Safely10	Adjustment24
Keep Riders Off Machine10	
Avoid rollover accident.....10	Lubrication and Maintenance
Wear Protective Clothing.....11	Safe Lubrication and Maintenance26
Prepare for Emergencies.....11	Lubrication and Maintenance Procedures26
Use Safety Lights and Devices.....11	Grease.....27
Transport Safety12	Lubrication Symbols27
Tow Loads Safely13	Alternative Lubricants27
Comply with the Transport Speed Limit.....13	Lubrication of Sugarcane planter.....28
Service Machine Safely14	Greasing Points28
Practice Safe Maintenance.....14	Daily Maintenance before and after Work29
Remove Paint Before Welding or Heating.....14	Every 50, 100, 200, 400 Hours Work29
Store Attachments Safely15	Practice Safe Maintenance.....30
Dispose of Waste Properly15	Bolt and Screw Torque Required.....31
Operate safely on Sugarcane planter15	Supporting Raised Machine33
	Maintenance of Sugarcane planter.....33
	Storage34
Safety Signs	Troubleshooting
Safety Sign Locations.....16	Sugarcane planter Trouble shooting.....35
Caution - Read Operator Manual	Serial Number.....36
And safety operation.....17	Keep Machined Secure.....36
	Specifications36
Preparing the Tractor	Parts Catalogue.....37
Use Your Tractor Operator's Manual18	Warranty Statement.....52
Front Counterweight18	Acknowledgement.....53
Rear Wheel Counterweight18	Pre-Delivery Inspection report54
Determine Front End Ballast W/O Implement	
Codes.....18	
Tightening18	

Original Instructions. All information, illustrations and specifications in this manual are based on the latest information available at the time of publication. The right is reserved to make changes at any time without notice

Thank you so much for reading.
Please click the “Buy Now!”
button below to download the
complete manual.



After you pay.

You can download the most
perfect and complete manual in
the world immediately.

Our support email:

ebooklibonline@outlook.com