

O P E R A T O R ' S M A N U A L

HEADER TRANSPORT

Farm Models

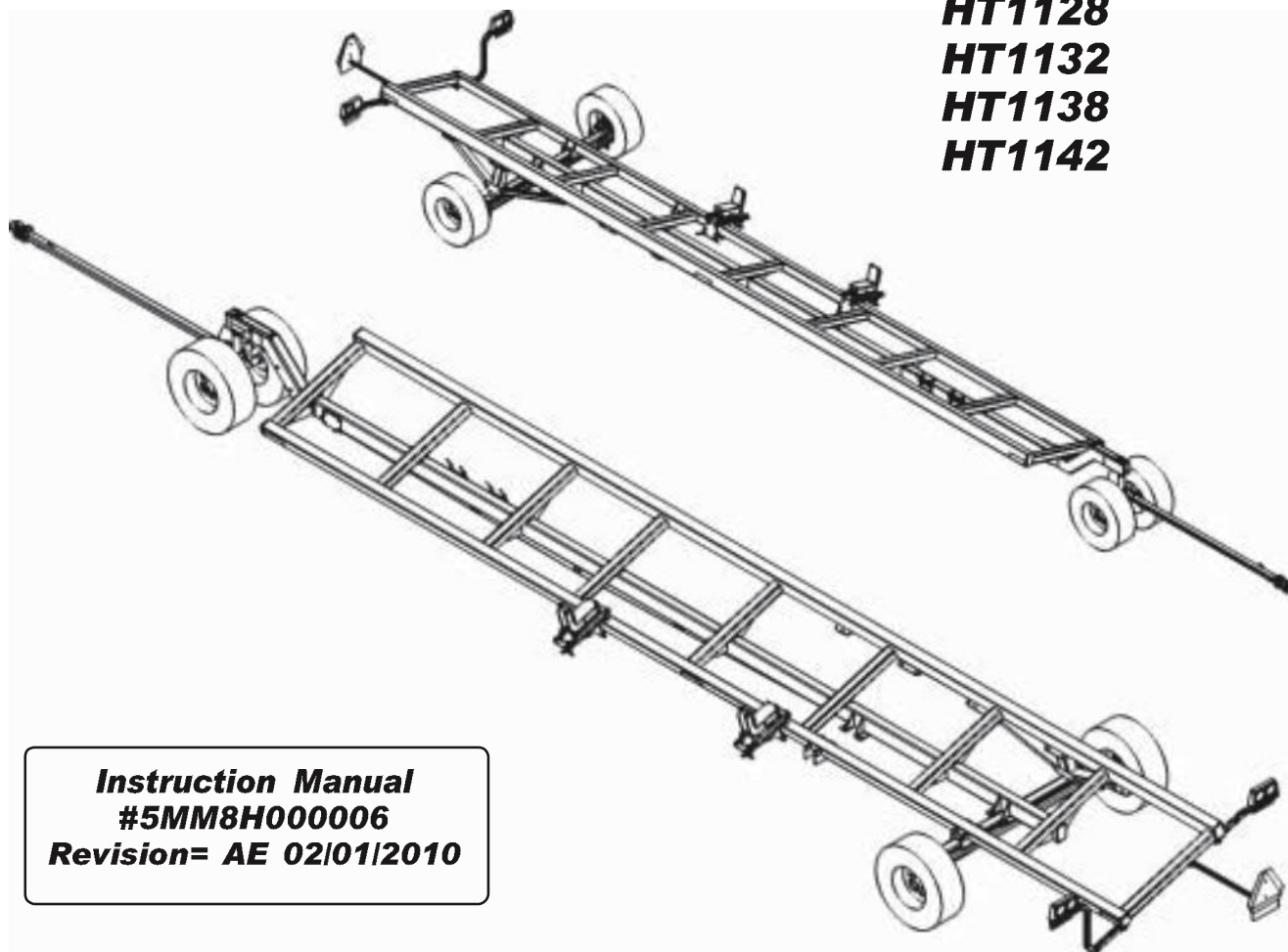
HT1124

HT1128

HT1132

HT1138

HT1142



Instruction Manual
#5MM8H000006
Revision= AE 02/01/2010

FRONTIER
EQUIPMENT

TABLE OF CONTENTS

Introduction	ii
Specifications	1-2
Safety Decals	3-4
Safety Rules	5-8
Maintenance Schedule	9
Bolt Torque Requirements	10-11
Standard Tongue Breakdown	12
Long Telescoping Tongue Breakdown	13
Short Telescoping Tongue Breakdown	14
Front Idler Axle & Hub Breakdown	15
Front Idler Suspension Axle & Hub Breakdown	16
Bearing Inspection/Lubrication	17
Seal Inspection/Bearing Adjustment	18
Adjustable Slider Bracket & Draper	19-20
Header Securement	21
Adjustable Tie-Down / Header Securement	22
Main Parts Breakdown	23-24
Optional Equipment	25
Electrical Diagrams	26
GVW Ratings	27
Head Transport Check List	28
Dealer Instructions	29

Thank you so much for reading.
Please click the “Buy Now!”
button below to download the
complete manual.



After you pay.

You can download the most
perfect and complete manual in
the world immediately.

Our support email:

ebooklibonline@outlook.com