

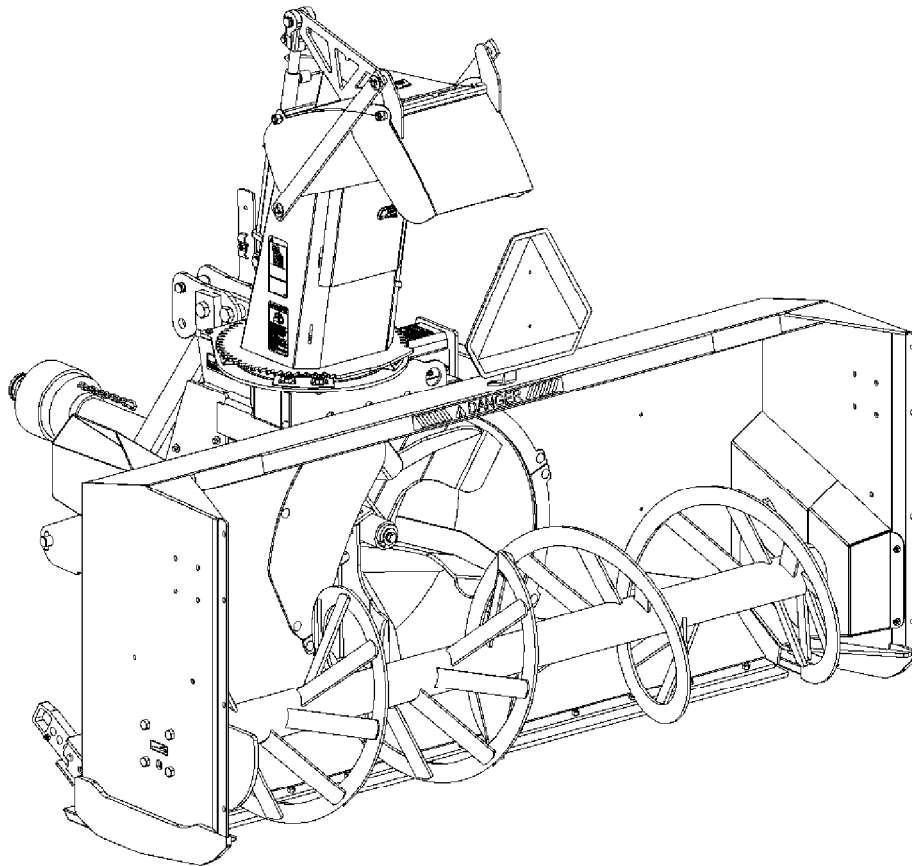
OPERATOR'S MANUAL

SNOWBLOWERS

SB1392R | SB1308R | SB1309R

WITH ROTATING DRUM

Serial #: 1XFSB13X_E0140001 & up



FRONTIER.

OM0437SB1392R-A
09/14

TABLE OF CONTENT

SPECIFICATIONS.....	3
INTRODUCTION – TO THE PURCHASER.....	4
SAFETY PRECAUTIONS	5-10
General Information.....	5
Before Operation	6
Notice	6
The Snowblower.....	6
Before Operation.....	6
Snowblower Operation	7
Stay Clear of Rotating Drivelines	8
The Tractor	9
General Information	9
Maintenance	10
Transporting.....	10
Storage	10
SAFETY DECALS	11-12
ASSEMBLY.....	13-27
Tractor Preparation.....	13
Snowblower Assembly	13
Installation of SMV Sign	13
Installation of Three Point Hitch.....	14
Installation of the 5RDF0072 or 5RDF0073 Chute, and the Hydraulic Rotation	15
Installation of the 5RDF0071 Hydraulic Deflector– for 2 part Chute	16
Installation of the Hydraulic Hoses	17
A- Hoses of the chute rotation and the drum rotation.....	17
B- Hoses of the chute deflector	17
Installation of Second Auger - 5RDF0064 (92") - 5RDF0065 (98") - 5RDF0066 (102")	19
Installation of Serrated Auger - 5RDF0068 (92") - 5RDF0069 (98") - 5RDF0070 (102").....	20
Installation of Drift Cutters - 5RDF0074	21
Installation of Stainless Skid Shoes - 5RDF0062	21
Installation of Lower Hitches for Quick Hitch - 5RDF0075	22
Installation of Snowblower with Three Point Hitch.....	23
Installation of Snowblower with Quick Hitch.....	24
Recommendations for driveline angles.....	25
Angles at Each End of Driveline	25
Determining Driveline Length	26
Driveline Installation	28
Removing Snowblower from Tractor.....	28

TABLE OF CONTENT

OPERATION	29-31
General Preparation	29
Operating Controls	29
Raising and Lowering the Snowblower.....	29
Work and Travel Speed	29
PTO Operation.....	29
Chute Rotation Orientation.....	29
Drum Rotation Orientation.....	29
Hydraulic Chute Deflector Orientation	29
Adjustments	30
Manual Deflector Adjustment.....	30
Skid Shoe Adjustment.....	30
Chute Door Adjustment.....	30
Snow Removal Methods	31
MAINTENANCE	32-37
Maintenance.....	32
Driveline.....	32
Drum Rotation Lock Adjustment	32
Shearbolts	32
Driveshaft.....	32
Driveline	32
Chain Idler Adjustment	33
Lubrication.....	34
Driveline – Troubleshooting.....	35-37
PARTS	38-55
Introduction	38
Manual Holder	38
Snowblower Head	39
Snowblower Assembly – Front Part	40
Snowblower Assembly – Rear Part.....	42
Three Point Hitch.....	44
Chain Idler	46
Hydraulic rotations - chute and drum	47
Gearbox 5RD662281	48
Driveline 5RD4700293.....	49
5RDF0072 - Two Part Chute	50
5RDF0073 - Three Part Chute	51
5RDF0071 - Hydraulic Deflector.....	52
5RDF0075 - Lower hitches for quick hitch	53
Second Auger - 5RDF0064 (92") - 5RDF0065 (98") - 5RDF0066 (102")	54
Other Options: Drift Cutters - Stainless Skid Shoes - Cutting Edges CHT400, Tivar, Stainless – Serrated Auger	55
TORQUE SPECIFICATION TABLE	56

SPECIFICATIONS

Specifications	SB1392R	SB1308R	SB1309R
General			
Type	2 phases	2 phases	2 phases
Direction of impeller rotation	CCW	CCW	CCW
PTO power requirements	75 - 125 Hp	100 - 150 Hp	100 - 150 Hp
Shipping weight (without chute)	2120 Lbs	2158 Lbs	2196 Lbs
Operating weight, incl. chute & hyd. deflect.	2206 Lbs	2249 Lbs	2282 Lbs
Set-up time	90 min	90 min	90 min
Working width	92 1/2"	98 1/2"	102 1/2"
Working height	41"	41"	41"
Overall width	92 1/2"	98 1/2"	102 1/2"
Overall height (without chute)	42 1/2"	42 1/2"	42 1/2"
Overall height (with three part chute closed)	81"	81"	81"
Overall length	63"	63"	63"
Impeller			
Impeller diameter	30"	30"	30"
Impeller width	12"	12"	12"
Number of impeller blade	5	5	5
Impeller shaft diameter	2"	2"	2"
Impeller RPM	540 R.P.M.	540 R.P.M.	540 R.P.M.
Auger			
Auger - Single / dual	Single (dual in option)	Single (dual in option)	Single (dual in option)
Main auger diameter	23"	23"	23"
Auger driven system	Chain No.80	Chain No.80	Chain No.80
Second auger diameter	14"	14"	14"
Second auger driven system	Chain No.60	Chain No.60	Chain No.60
Auger RPM	205 RPM	205 RPM	205 RPM
Drum			
Rotating drum	Yes	Yes	Yes
Rotation of drum	Hydraulic by motor	Hydraulic by motor	Hydraulic by motor
Flow restrictor	Yes	Yes	Yes
Housing			
Housing thickness	10 Ga.	10 Ga.	10 Ga.
Side panel thickness	1/4"	1/4"	1/4"
Impeller housing thickness	1/4"	1/4"	1/4"
Chute			
Chute position	Right	Right	Right
Rotation of the chute	Hydraulic by motor	Hydraulic by motor	Hydraulic by motor
Flow restrictor (rotation)	Yes	Yes	Yes
Flow restrictor (deflector)	Yes	Yes	Yes
Hoses support	Yes	Yes	Yes
Deflector adjustment (2 part chute)	Manual (hydraulic in option)	Manual (hydraulic in option)	Manual (hydraulic in option)
Deflector adjustment (3 part chute)	Hydraulic	Hydraulic	Hydraulic
Cutting edge			
Replaceable and reversible cutting edge	Yes	Yes	Yes
Cutting edge material	Carb.steel (other mater.available)	Carb.steel (other mater.available)	Carb.steel (other mater.available)
Cutting edge dimension	1/2" x 5"	1/2" x 5"	1/2" x 5"
Skid shoe			
Replaceable and reversible skid shoe	Yes, 8 positions	Yes, 8 positions	Yes, 8 positions
Skid shoe material	Stand.steel (other mater.available)	Stand.steel (other mater.available)	Stand.steel (other mater.available)
Drive and hitch			
Main driving system	Driveline series 80	Driveline series 80	Driveline series 80
Chain idler	Twin sprokets w/compress.spring	Twin sprokets w/compress.spring	Twin sprokets w/compress.spring
Parking stand	Yes	Yes	Yes
Number of auger shear bolt	2 (on the driving shaft)	2 (on the driving shaft)	2 (on the driving shaft)
Number of impeller shear bolt	1 (on the driveline)	1 (on the driveline)	1 (on the driveline)
Type of hitch	3 pts, cat. 2 & 3	3 pts, cat. 2 & 3	3 pts, cat. 2 & 3
Compatibility with quick hitch	Requires kit 5RDF0075	Requires kit 5RDF0075	Requires kit 5RDF0075

Thank you so much for reading.
Please click the “Buy Now!”
button below to download the
complete manual.



After you pay.

You can download the most
perfect and complete manual in
the world immediately.

Our support email:

ebooklibonline@outlook.com