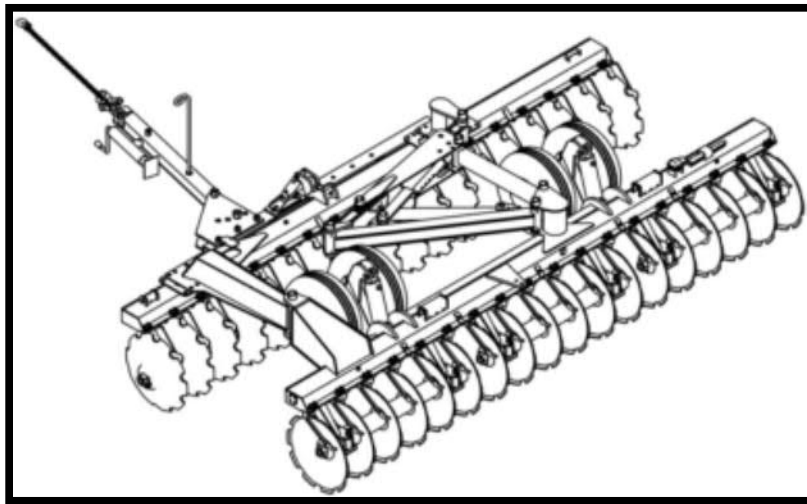




ASSEMBLY & OPERATING INSTRUCTIONS



FRONTIER MODELS DH4317 & DH4320 HINGE-WHEEL OFFSET DISK HARROWS

Printed in USA

FORM NO.: 5RPMAN296AO

PUBLISHED DATE: 06-08

Introduction

READ THIS MANUAL carefully to learn how to operate and service your machine correctly. Failure to do so could result in personal injury or equipment damage. This manual and safety signs on your machine may be ordered from your Frontier dealer.

THIS MANUAL SHOULD BE CONSIDERED a permanent part of your machine and should remain with the machine when you sell it.

MEASUREMENTS in this manual are given in customary U.S. units. Use only the correct replacement parts and fasteners.

RIGHT-HAND AND LEFT-HAND sides are determined by facing in the direction the implement will travel when going forward.

WRITE DOWN PRODUCT IDENTIFICATION NUMBERS. Accurately record all the numbers to help in tracing the machine should it be stolen. Your Frontier dealer also needs these numbers when you order parts. File the identification numbers in a secure place off the machine.

WARRANTY is provided as a part of Frontier's support program for customers who operate and maintain their equipment as described in this manual. The warranties are explained on the warranty pages that are included in this manual.

This warranty provides you the assurance that Frontier will back its products where defects appear within the warranty period. In some circumstances, Frontier also provides field improvements, often without charge to the customer, even if the product is out of warranty. Should the equipment be abused or modified to change its performance beyond the original factory specifications, the warranty will become void and field improvements may be denied. Setting fuel delivery above specifications or otherwise overpowering machines will result in such action.

Contents

PRODUCT IDENTIFICATION	6
GENERAL INFORMATION.....	7
CHECKLISTS.....	8
PREDELIVERY CHECK LIST	8
DELIVERY CHECK LIST	9
AFTER-SALE CHECK LIST	10
EACH MORNING OF OPERATION CHECKLIST.....	10
BEFORE EACH SEASON CHECKLIST.....	10
SAFETY SIGNS	11
SAFETY	14
RECOGNIZE SAFETY INFORMATION	14
UNDERSTAND SIGNAL WORDS.....	14
FOLLOW SAFETY INSTRUCTIONS	14
USE SEAT BELT PROPERLY	15
OPERATE SAFELY	15
KEEP RIDERS OFF MACHINE	16
PREPARE FOR EMERGENCIES	16
WEAR PROTECTIVE CLOTHING	16
PROTECT AGAINST NOISE	16
USE SAFETY LIGHTS AND DEVICES.....	17
USE A SAFETY CHAIN	17
TRANSPORT SAFELY	18
TOW LOADS SAFELY	19
PRACTICE SAFE MAINTENANCE.....	20
REMOVE PAINT BEFORE WELDING OR HEATING.....	21
AVOID HEATING NEAR PRESSURIZED FLUID LINES	21
AVOID HIGH-PRESSURE FLUIDS.....	22
AVOID HARMFUL ASBESTOS DUST.....	22
STORE ATTACHMENTS SAFELY	23
DISPOSE OF WASTE PROPERLY	23
PREPARING THE TRACTOR	24
POSITIONING DRAWBAR	24
PREPARING THE DISK	25
CHECKING AND LUBRICATING DISK	25
ADJUSTING RIGID SCRAPERS	25
ATTACHING AND DETACHING	27
ATTACHING DISK TO TRACTOR.....	27
ATTACHING SAFETY CHAIN TO TRACTOR	27
ATTACHING HYDRAULIC HOSES	28
ATTACHING WARNING LIGHT PLUG.....	28

Contents

DETACHING DISK FROM TRACTOR.....	29
CHECKING TRANSPORT CONTROL OPERATION.....	30
CHECKING LEVELING ADJUSTMENT.....	31
TRANSPORTING MACHINE	33
CAUTION: SAFETY GUIDELINES.....	33
POSITIONING TRACTOR DRAWBAR FOR TRANSPORT (FOUR WHEEL DRIVE TRACTORS)	34
POSITIONING JACK FOR TRANSPORT	34
ATTACH SAFETY CHAIN TO TRACTOR.....	34
INSTALL TRANSPORT LOCKING DEVICES.....	35
ATTACHING WARNING LIGHT PLUG.....	35
TRANSPORTING THE MACHINE	35
OPERATING THE MACHINE	36
CAUTION: SAFETY GUIDELINES.....	36
GUIDELINES FOR USE.....	37
TIGHTEN HARDWARE.....	37
OPERATING SPEED.....	37
OFFSET BAR HEIGHT ADJUSTMENT	38
POSITIONING THE DRAWBAR ANGLE SELECTING BOLT.....	38
POSITIONING THE DRAWBAR ON THE OFFSET BAR	39
POSITIONING THE DRAWBAR ON THE OFFSET BAR TO REDUCE DRAFT ON THE TRACTOR.....	40
GANG ANGLE ADJUSTMENT	41
SIDE ADJUSTMENT OF THE GANG CARRIERS.....	42
HYDRAULIC CONTROL	43
HYDRAULIC CONTROL SCHEMATIC.....	44
PREPARING HARROW FOR TRANSPORT	45
SCRAPER ADJUSTMENT	45
LUBRICATION.....	46
LUBRICANT STORAGE	46
LUBRICATE GANG BEARINGS.....	46
LUBRICATE WHEEL BEARINGS	46
DAILY INSPECTION & LUBRICATION.....	47
MAINTENANCE.....	48
CAUTION: SAFETY GUIDELINES.....	48
CHECKING WHEEL BOLTS AND BEARINGS.....	49
REPACK WHEEL HUB BEARINGS ANNUALLY	49
GANG BEARINGS	50
DISK GANGS.....	50
HYDRAULIC HOSES.....	50
REMOVING HYDRAULIC CYLINDERS.....	51
BLEEDING TRANSPORT CYLINDER.....	51
SERVICING DISK GANGS	52

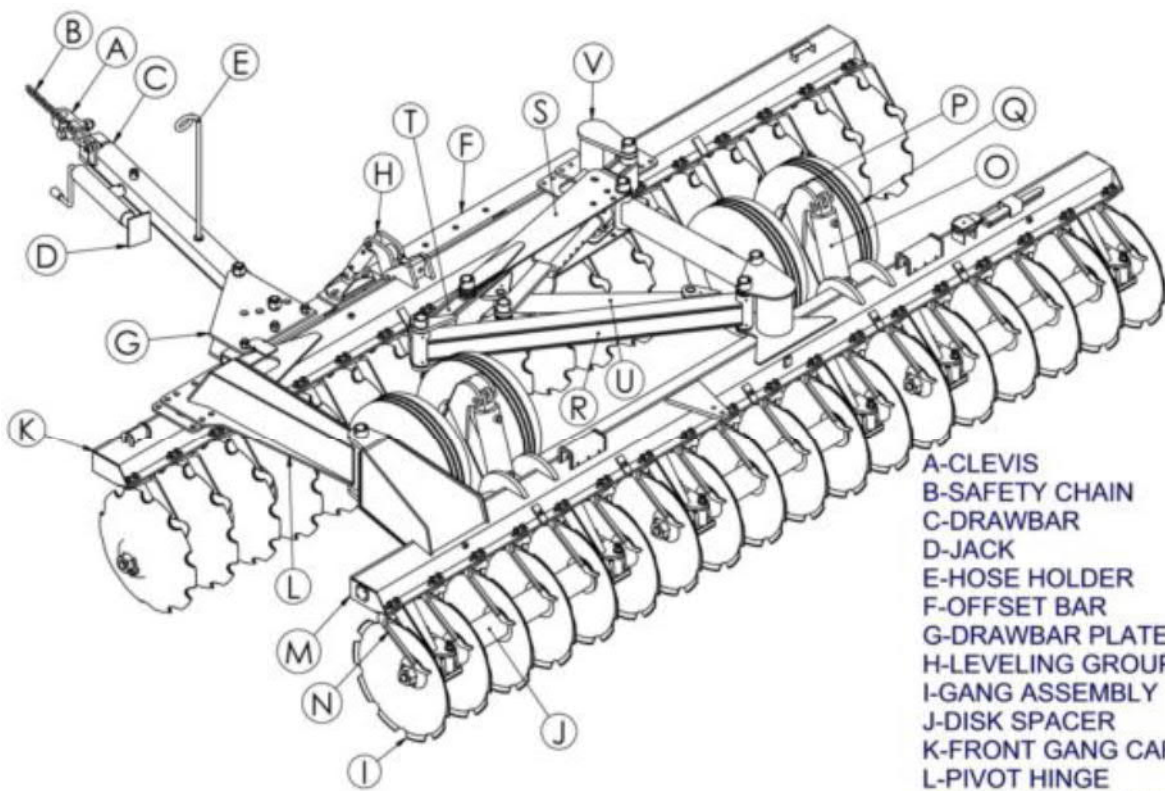
Contents

ASSEMBLING DISK SPACERS	52
GANG AXLE NUT WRENCHES	52
TIGHTEN GANG AXLE NUTS	53
ATTACHING DISK GANGS TO STANDARDS	54
SERVICE TIRES SAFELY	55
CHECKING TIRE PRESSURE	55
TIRE PRESSURE CHART	56
STORAGE	57
BEGINNING OF SEASON MAINTENANCE	57
END OF SEASON MAINTENANCE	57
ASSEMBLY	58
CAUTION: SAFETY GUIDELINES.....	58
CHECK ALL PARTS ON PACKING LIST	59
STEP 1. ASSEMBLING GANGS.....	59
STEP 1. ASSEMBLING GANGS - CONT.	60
STEP 2. INSTALLING GANGS ON GANG CARRIERS.....	61
STEP 3. JOINING GANG CARRIERS	61
STEP 4. INSTALLING STABILIZERS AND LATCH GROUP	62
LATCH SUPPORT ILLUSTRATIONS	63
STEP 5. ATTACHING OFFSET BAR.....	64
STEP 6. ATTACHING DRAWBAR.....	65
STEP 7. INSTALL SCRAPERS.....	66
STEP 8. INSTALL HYDRAULIC CONTROL GROUP	67
ATTACHMENT ASSEMBLY.....	77
INSTALL SAFETY CHAIN.....	77
BEARING WEAR PLATES.....	77
INSTALL WARNING LIGHTS	78
SPECIFICATIONS	81
SUGGESTED REPAIR PARTS (DH4317 & DH4320).....	81
MANUALS (OPERATOR'S & PARTS)	81
SPECIFICATIONS - HEAVY DUTY OFFSET DISK MODELS DH4317 & DH4320	82

Contents

PRODUCT IDENTIFICATION

FRONTIER MODELS DH4317 & DH4320 HINGE-WHEEL TYPE OFFSET DISK HARROW



- A-CLEVIS
- B-SAFETY CHAIN
- C-DRAWBAR
- D-JACK
- E-HOSE HOLDER
- F-OFFSET BAR
- G-DRAWBAR PLATE
- H-LEVELING GROUP
- I-GANG ASSEMBLY
- J-DISK SPACER
- K-FRONT GANG CARRIER
- L-PIVOT HINGE
- M-REAR GANG CARRIER
- N-SCRAPER ASSEMBLY
- O-TRANSPORT CYLINDER
- P-TRANSPORT ASSEMBLY
- Q-WHEEL & TIRE ASSEMBLY
- R-REAR STABILIZER
- S-LATCH GROUP
- T-FRONT STABILIZER
- U-ANGLE CONTROL CYLINDER
- V-FRONT STABILIZER HINGE

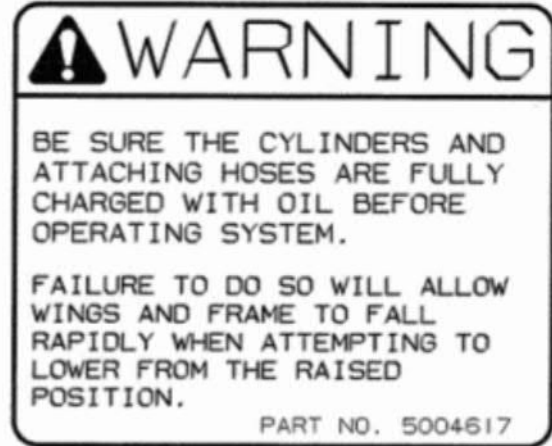
Safety Signs

SAFETY SIGNS

1



2



3



4



AMBER REFLECTOR

5



RED REFLECTOR

6



RED FLO. REFLECTOR

7

Safety Signs

SAFETY SIGNS

8

CAUTION

TO AVOID LOSS OF CONTROL, DO NOT EXCEED 20 MPH (32KM/H) IN TRANSPORT

PART NO. 5005399

9

WARNING

1. TO AVOID POSSIBILITY OF DISK TIPPING BACKWARD WHEN IMPLEMENT IS ATTACHED TO REAR HITCH, ALWAYS LOWER DISK TO GROUND BEFORE UNHITCHING FROM TRACTOR.
2. TOW LOAD NOT TO EXCEED 6000 LBS. (26.7 kN).

PART # 5005404

10



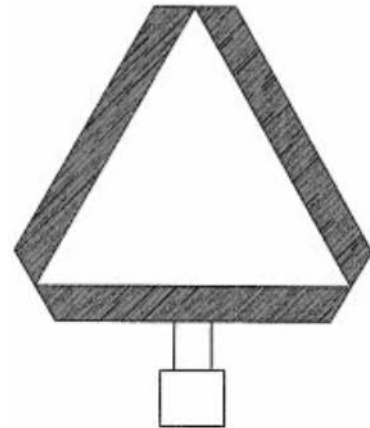
WARNING

Avoid injury from loss of control.

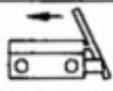
Before transporting, install transport lock pin to keep disk closed.

PART NO. 5005405

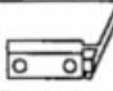
11



DIVERTER VALVE OPERATION



PUSH for TRANSPORT CONTROL



PULL for ANGLE CONTROL

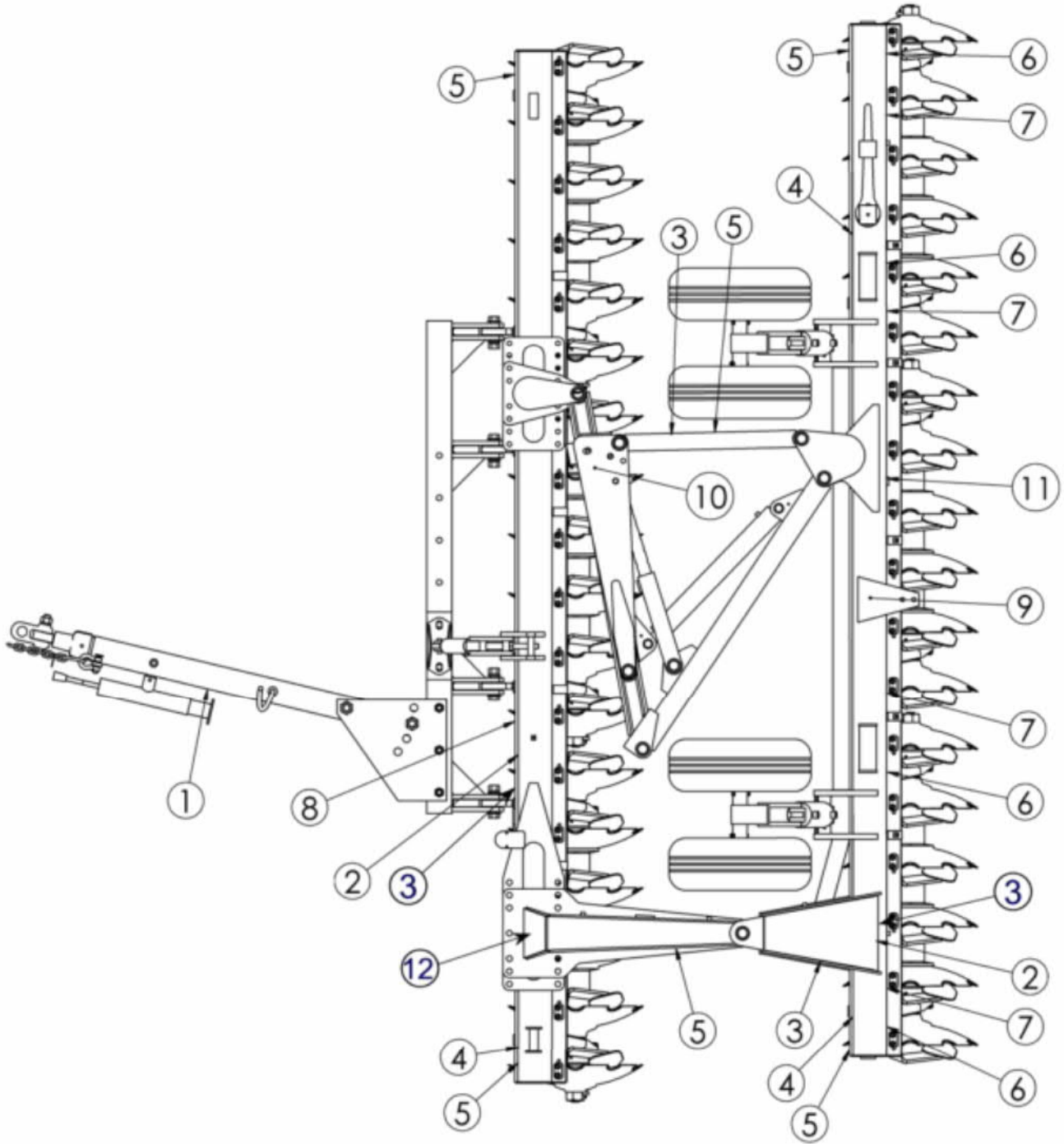
Fully raise wheels before switching to ANGLE CONTROL for field operation.
Use wheels for transport only. Do not use wheels for depth control.

PART # 5005407

12

Safety Signs

SAFETY SIGNS



Safety

SAFETY

RECOGNIZE SAFETY INFORMATION

This is the safety-alert symbol. When you see this symbol on your machine or in this manual, be alert to the potential for personal injury.

Follow recommended precautions and safe operating practices.



UNDERSTAND SIGNAL WORDS

A signal word DANGER, WARNING, or CAUTION is used with the safety-alert symbol. DANGER identifies the most serious hazards.

DANGER or WARNING safety signs are located near specific hazards. General precautions are listed on CAUTION safety signs. CAUTION also calls attention to safety messages in this manual.



FOLLOW SAFETY INSTRUCTIONS

Carefully read all safety messages in this manual and on your machine safety signs. Keep safety signs in good condition. Replace missing or damaged safety signs. Be sure new equipment components and repair parts include the current safety signs. Replacement safety signs are available from your Frontier dealer.

Learn how to operate the machine and how to use controls properly. Do not let anyone operate without instruction.

Keep your machine in proper working condition. Unauthorized modifications to the machine may impair the function and/or safety and affect machine life.

If you do not understand any part of this manual and need assistance, contact your Frontier dealer.



Safety

USE SEAT BELT PROPERLY

Use a seat belt when you operate with a rollover protective structure (ROPS) or cab to minimize chance of injury from an accident such as an overturn.

Do not use a seat belt if operating without a ROPS or cab.



OPERATE SAFELY

DO NOT allow others to ride on the machine or tractor.

DO NOT operate close to a ditch or creek.

SLOW DOWN when turning and traveling over rough ground OR the machine may tip over.

ALWAYS shut off tractor and shift to "Park" or set brakes when leaving tractor. Remove key when leaving tractor unattended.

Wear protective gloves to help prevent injury from cutting edges of disk blades when removing or installing scraper blades.

Park or block disk so it will not roll when disconnecting from tractor drawbar.

Lower the disk completely to the ground before unhitching from tractor. If disk is to be unhitched in raised position, tongue can whip upward when unhitching. Be sure disk is resting on transport lockups and disk is on a level and firm surface.

Thank you so much for reading.
Please click the “Buy Now!”
button below to download the
complete manual.



After you pay.

You can download the most
perfect and complete manual in
the world immediately.

Our support email:

ebooklibonline@outlook.com