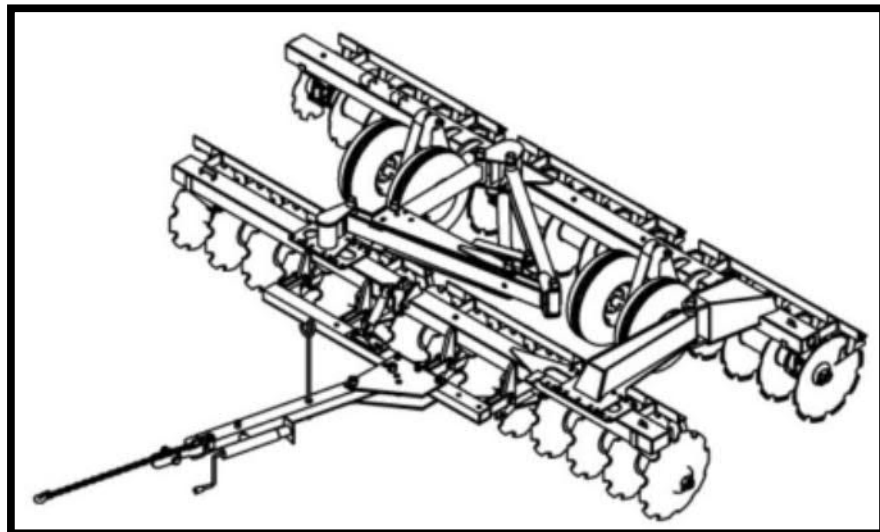




## ASSEMBLY & OPERATING INSTRUCTIONS



### FRONTIER MODEL DH4420 HINGE-WHEEL OFFSET DISK HARROW

FORM NO.: 5RPMAN297AO

Printed in USA

PUBLISHED DATE: 06-08

# CONTENTS

<b>PRODUCT IDENTIFICATION</b> .....	<b>6</b>
<b>GENERAL INFORMATION</b> .....	<b>7</b>
<b>CHECKLISTS</b> .....	<b>8</b>
PREDELIVERY CHECK LIST .....	8
DELIVERY CHECK LIST .....	9
AFTER-SALE CHECK LIST .....	10
EACH MORNING OF OPERATION CHECKLIST .....	10
BEFORE EACH SEASON CHECKLIST .....	10
<b>SAFETY SIGNS</b> .....	<b>11</b>
<b>SAFETY</b> .....	<b>14</b>
RECOGNIZE SAFETY INFORMATION .....	14
UNDERSTAND SIGNAL WORDS .....	14
FOLLOW SAFETY INSTRUCTIONS.....	14
USE SEAT BELT PROPERLY .....	15
OPERATE SAFELY.....	15
KEEP RIDERS OFF MACHINE.....	16
PREPARE FOR EMERGENCIES.....	16
WEAR PROTECTIVE CLOTHING.....	16
PROTECT AGAINST NOISE.....	16
USE SAFETY LIGHTS AND DEVICES .....	17
USE A SAFETY CHAIN.....	17
TRANSPORT SAFETY.....	18
TOW LOADS SAFETY .....	19
PRACTICE SAFE MAINTENANCE .....	20
REMOVE PAINT BEFORE WELDING OR HEATING.....	21
AVOID HEATING NEAR PRESSURIZED FLUID LINES.....	21
AVOID HIGH-PRESSURE FLUIDS.....	22
AVOID HARMFUL ASBESTOS DUST .....	22
STORE ATTACHMENTS SAFELY.....	23
DISPOSE OF WASTE PROPERLY.....	23
<b>PREPARING THE TRACTOR</b> .....	<b>24</b>
POSITIONING DRAWBAR.....	24
<b>PREPARING THE DISK</b> .....	<b>25</b>
CHECKING AND LUBRICATING DISK.....	25
ADJUSTING RIGID SCRAPERS.....	25
NOTES: .....	26
<b>ATTACHING AND DETACHING</b> .....	<b>27</b>
ATTACHING DISK TO TRACTOR .....	27
ATTACHING SAFETY CHAIN TO TRACTOR.....	27
ATTACHING HYDRAULIC HOSES.....	28

## CONTENTS

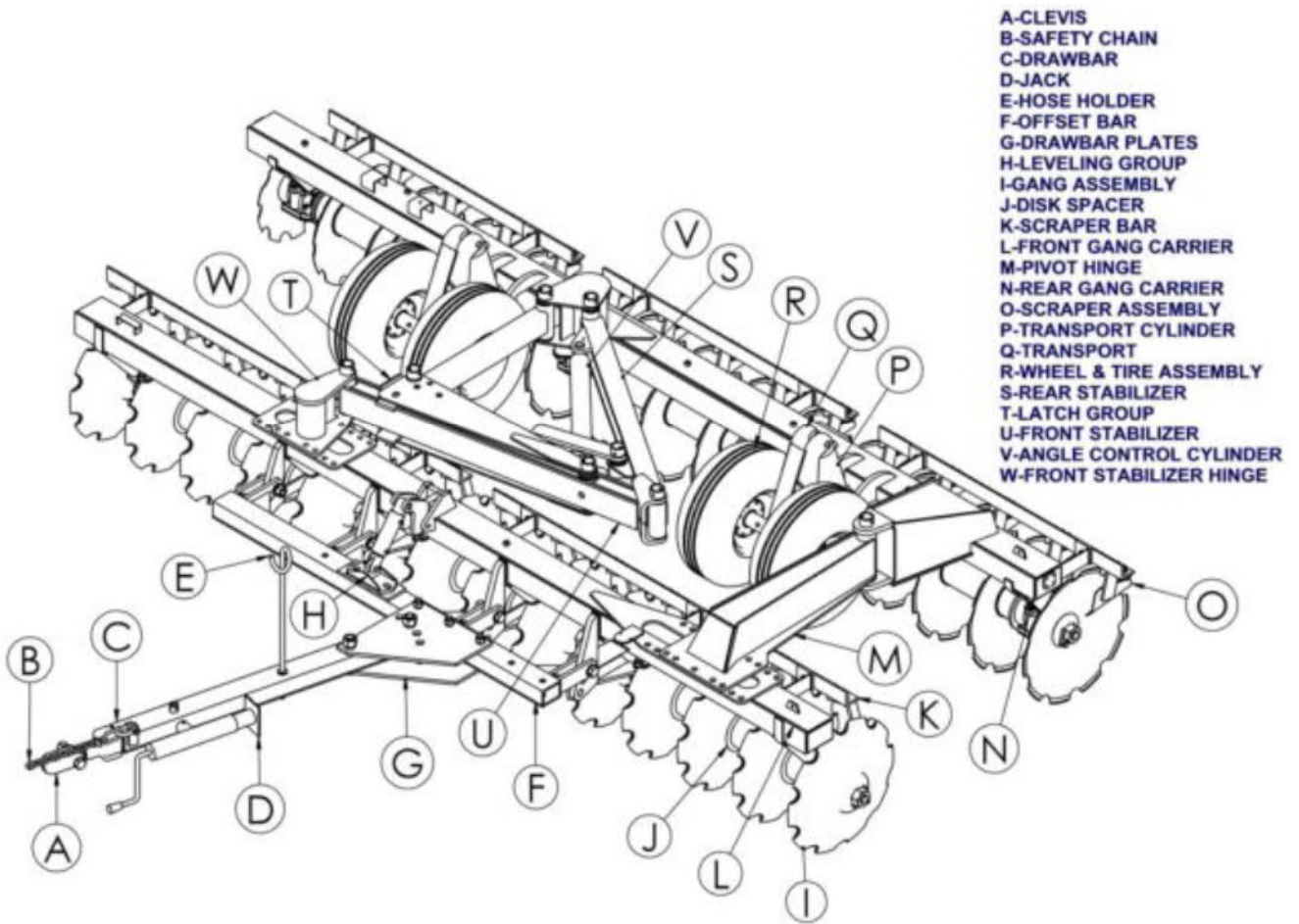
ATTACHING WARNING LIGHT PLUG .....	28
DETACHING DISK FROM TRACTOR .....	29
CHECKING TRANSPORT CONTROL OPERATION .....	30
CHECKING LEVELING ADJUSTMENT .....	31
NOTES: .....	32
<b>TRANSPORTING MACHINE.....</b>	<b>33</b>
CAUTION: SAFETY GUIDELINES.....	33
POSITIONING TRACTOR DRAWBAR FOR TRANSPORT (FOUR WHEEL DRIVE TRACTORS).....	34
POSITIONING JACK FOR TRANSPORT .....	34
ATTACH SAFETY CHAIN TO TRACTOR.....	34
INSTALL TRANSPORT LOCKING DEVICES .....	35
ATTACHING WARNING LIGHT PLUG .....	35
TRANSPORTING THE MACHINE.....	35
<b>OPERATING THE MACHINE .....</b>	<b>36</b>
CAUTION: SAFETY GUIDELINES .....	36
GUIDELINES FOR USE .....	37
TIGHTEN HARDWARE .....	37
OPERATING SPEED .....	37
OFFSET BAR HEIGHT ADJUSTMENT.....	38
POSITIONING THE DRAWBAR ANGLE SELECTING BOLT .....	38
POSITIONING THE DRAWBAR ON THE OFFSET BAR.....	39
POSITIONING THE DRAWBAR ON THE OFFSET BAR TO REDUCE DRAFT ON THE TRACTOR .....	40
GANG ANGLE ADJUSTMENT .....	41
SIDE ADJUSTMENT OF THE GANG CARRIERS .....	42
HYDRAULIC CONTROL .....	43
HYDRAULIC CONTROL SCHEMATIC .....	44
PREPARING HARROW FOR TRANSPORT.....	45
SCRAPER ADJUSTMENT .....	45
<b>LUBRICATION .....</b>	<b>46</b>
LUBRICANT STORAGE.....	46
LUBRICATE GANG BEARINGS.....	46
LUBRICATE WHEEL BEARINGS .....	46
DAILY INSPECTION & LUBRICATION .....	47
<b>MAINTENANCE .....</b>	<b>48</b>
CAUTION: SAFETY GUIDELINES.....	48
CHECKING WHEEL BOLTS AND BEARINGS .....	49
REPACK WHEEL HUB BEARINGS ANNUALLY .....	49
GANG BEARINGS.....	50
DISK GANGS .....	50
HYDRAULIC HOSES .....	50
REMOVING HYDRAULIC CYLINDERS.....	51

## CONTENTS

BLEEDING TRANSPORT CYLINDER .....	51
SERVICING DISK GANGS.....	52
ASSEMBLING DISK SPACERS.....	52
GANG AXLE NUT WRENCHES.....	52
TIGHTEN GANG AXLE NUTS .....	53
ATTACHING DISK GANGS TO STANDARDS.....	54
SERVICE TIRES SAFELY.....	55
CHECKING TIRE PRESSURE.....	55
TIRE PRESSURE CHART .....	56
<b>STORAGE .....</b>	<b>57</b>
BEGINNING OF SEASON MAINTENANCE.....	57
END OF SEASON MAINTENANCE .....	57
<b>ASSEMBLY .....</b>	<b>58</b>
CAUTION: SAFETY GUIDELINES .....	58
CHECK ALL PARTS ON PACKING LIST .....	59
STEP 1. ASSEMBLING GANGS .....	59
STEP 2. INSTALLING GANGS ON GANG CARRIERS .....	61
STEP 3. JOINING GANG CARRIERS.....	61
STEP 4. INSTALLING STABILIZERS AND LATCH GROUP .....	62
LATCH SUPPORT ILLUSTRATIONS.....	63
STEP 5. ATTACHING OFFSET BAR .....	64
STEP 6. ATTACHING DRAWBAR .....	65
STEP 7. INSTALL SCRAPERS .....	65
STEP 7. INSTALL SCRAPERS .....	66
STEP 8. INSTALL HYDRAULIC CONTROL GROUP.....	67
HYDRAULIC CONTROL GROUP ILLUSTRATION.....	68
<b>ATTACHMENT ASSEMBLY.....</b>	<b>76</b>
INSTALL SAFETY CHAIN .....	76
BEARING WEAR PLATES .....	76
INSTALL WARNING LIGHTS .....	77
<b>MANUALS (OPERATOR'S &amp; PARTS) .....</b>	<b>79</b>
<b>SPECIFICATIONS.....</b>	<b>80</b>
SUGGESTED REPAIR PARTS (DH4420) .....	80
SPECIFICATIONS - CONSTRUCTION OFFSET DISK MODEL DH4420.....	81

# CONTENTS PRODUCT IDENTIFICATION

## FRONTIER MODEL DH4420 HINGE-WHEEL OFFSET DISK HARROW



Thank you so much for reading.  
Please click the “Buy Now!”  
button below to download the  
complete manual.



After you pay.

You can download the most  
perfect and complete manual in  
the world immediately.

Our support email:

[ebooklibonline@outlook.com](mailto:ebooklibonline@outlook.com)