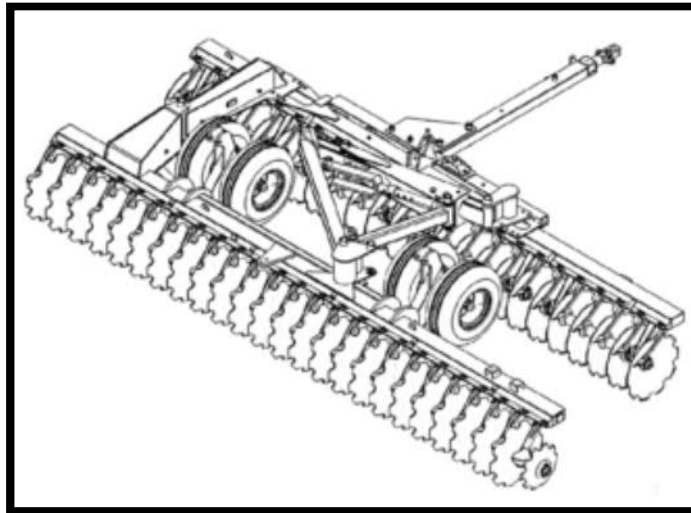




## ASSEMBLY & OPERATING INSTRUCTIONS



**MODELS DH4218 AND DH4221**

**HINGE-WHEEL OFFSET DISK HARROW**

FORM NO.: 5RPMAN332AO

PUBLISHED: 06-08

Printed in USA

# Contents

<b>Introduction</b> .....	2
<b>Contents</b> .....	3-5
<b>Product Information</b> .....	6-9
Reference Assembly, Model OD2118.....	6,7
Reference Assembly, Model OD2118.....	8,9
<b>General Information</b> .....	10
<b>Checklists</b> .....	11-13
Pre-Delivery.....	11
Delivery.....	12
After Sale.....	13
Each Morning of Operation.....	13
Before Each Season.....	13
<b>Safety Signs</b> .....	14-17
<b>Safety</b> .....	18-26
Recognize Safety Information.....	18
Understand Signal Words.....	18
Follow Safety Instructions.....	18
Use Seat Belt Properly.....	19
Operate Safely.....	19
Keep Riders Off Machine.....	20
Prepare For Emergencies.....	20
Wear Protective Clothing.....	20
Protect Against Noise.....	20
Use Safety Lights And Devices.....	21
Use A Safety Chain.....	21
Transport Safety.....	22
Tow Loads Safely.....	22
Practice Safe Maintenance.....	23
Remove Paint Before Welding Or Heating.....	24
Avoid Heating Near Pressured Fluid Lines.....	24
Avoid High-Pressure Fluids.....	25
Avoid Harmful Asbestos Dust.....	25
Store Attachments Safely.....	26
Dispose Of Waste Properly.....	26
<b>Preparing The Tractor</b> .....	27
Positioning Drawbar.....	27
<b>Preparing The Disk</b> .....	28
Checking And Lubricating Disk.....	28
Adjusting Rigid Scrapers.....	28
Notes.....	29
<b>Attaching And Detaching</b> .....	30-35
Attaching Disk To Tractor.....	30
Attaching Safety Chain To Tractor.....	30

## Contents

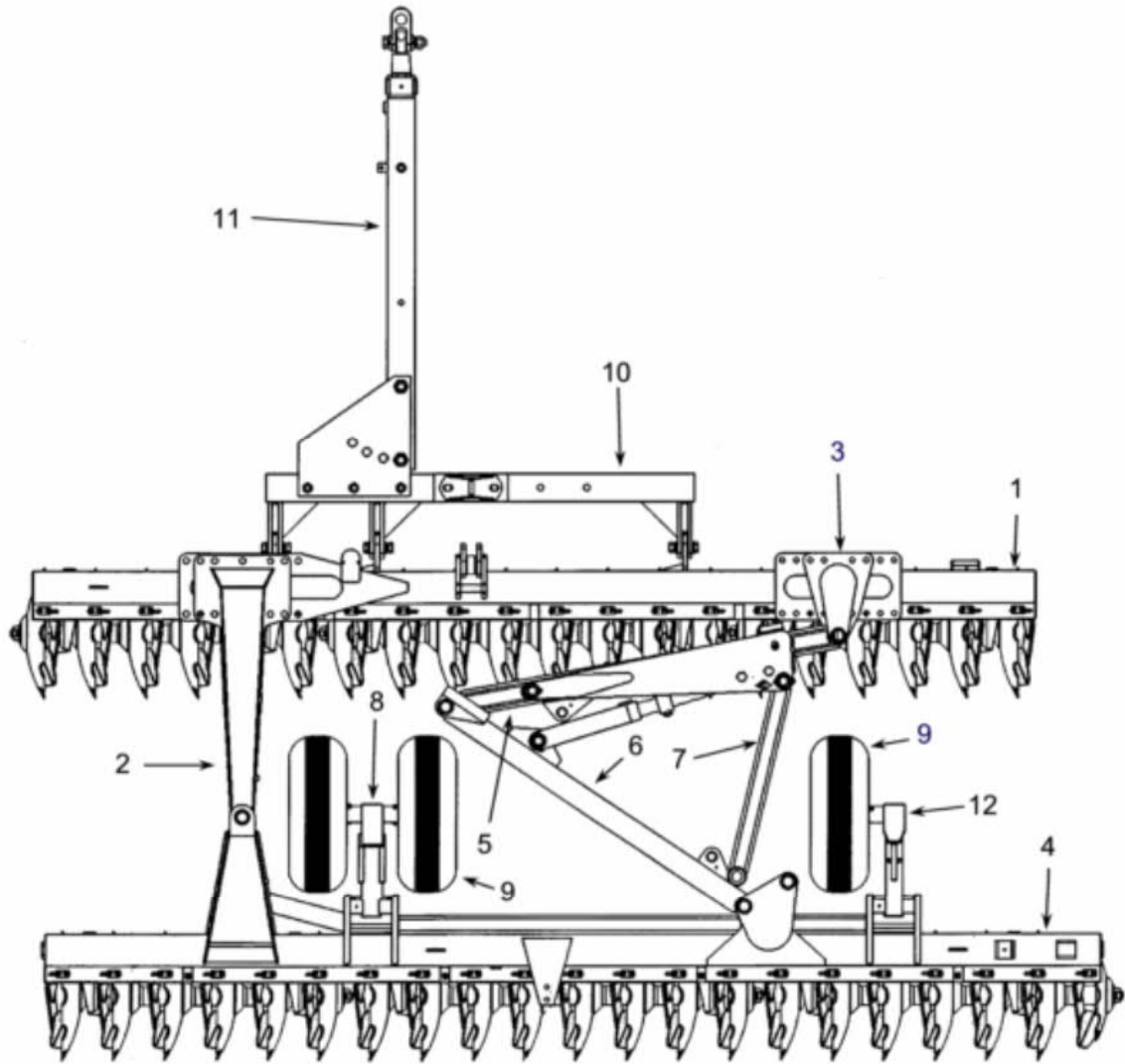
<b>Attaching And Detaching continued</b> .....	31-35
Attaching Hydraulic Hoses.....	31
Attaching Warning Light Plug.....	31
Detaching Disk From Tractor.....	32
Checking Transport Control Operation.....	33
Checking Leveling Adjustment.....	34
Notes:.....	35
<b>Transporting Machine</b> .....	36-38
Guidelines For Use.....	36
Positioning Tractor Drawbar For Transport (Four Wheel Drive Tractors).....	37
Positioning Jack For Transport.....	37
Attach Safety Chain To Tractor.....	37
Install Transport Locking Devices.....	38
Attaching Warning Light Plug.....	38
Transporting The Machine.....	38
<b>Operating The Machine</b> .....	39-48
Caution: Safety Guidelines.....	39
Guidelines For Use.....	40
Tighten Hardware.....	40
Operating Speed.....	40
Offset Bar Height Adjustment.....	41
Positioning Drawbar Angling Selecting Bolt.....	41
Positioning Drawbar On Offset Bar.....	42
Positioning Drawbar On Offset Bar To Reduce Draft On Tractor.....	43
Gang Angle Adjustment.....	44
Side Adjustment Of Gang Carriers.....	45
Hydraulic Control.....	46
Hydraulic Control Schematic.....	47
Preparing Harrow For Transport.....	48
Scraper Adjustment.....	48
<b>Lubrication</b> .....	49,50
Lubricate Storage.....	49
Lubricate Gang Bearings.....	49
Lubricate Wheel Bearings.....	49
Daily Inspection And Lubrication.....	50
<b>Maintenance</b> .....	51-59
Caution: Safety Guidelines.....	51
Checking Wheel Bolts And Bearings.....	52
Repack Wheel Hub Bearings Annually.....	52
Gang Bearings.....	53
Disk Gangs.....	53
Hydraulic Hoses.....	53
Fasteners / Bolt Torque Chart.....	53

# Contents

<b>Maintenance continued</b> .....	54-59
Removing Hydraulic Cylinders.....	54
Bleeding Transport Cylinders.....	54
Servicing Disk Gangs.....	55
Assembling Disk Spacers.....	55
Gang Axle Nut Wrenches.....	55
Tighten Gang Axle Nuts.....	56
Attaching Disk Gangs To Standards.....	57
Service Tires Safely.....	58
Checking Tire Pressure.....	58
Tire Pressure Chart.....	59
<b>Storage</b> .....	60
Beginning Of Season Maintenance.....	60
End Of Season Maintenance.....	60
<b>Assembly</b> .....	61-83
Caution: Safety Guidelines.....	61
Check All Parts On Packing List.....	62
Step 1. Assembling Gangs.....	62,63
Step 2. Installing Gangs On Gang Carriers.....	64
Step 3. Joining Gang Carriers.....	64
Step 4. Installing Stabilizers And Latch Groups.....	65,66
Step 5. Attaching Offset Bar.....	67
Step 6. Attaching Drawbar.....	68
Step 7. Install Scrapers.....	69
Step 8. Install Hydraulic Control Group.....	69-74
<b>Attachment Assembly</b> .....	80-83
General.....	80
Install Safety Chain.....	80
Bearing Wear Plate.....	80
Install Warning Lights.....	81-83
<b>Specifications</b> .....	84,85
Suggested Repair Parts Stock For Models DH4218 And DH4221.....	84
Manuals - Operators and Repair Parts.....	84
Specs, Features & Standard Equipment For Models DH4218 And DH4221.....	85

# PRODUCT IDENTIFICATION

## REFERENCE ASSEMBLY



**FRONTIER MODEL DH4218**

**HINGE-WHEEL TYPE OFFSET DISK HARROW**

**PRODUCT IDENTIFICATION**

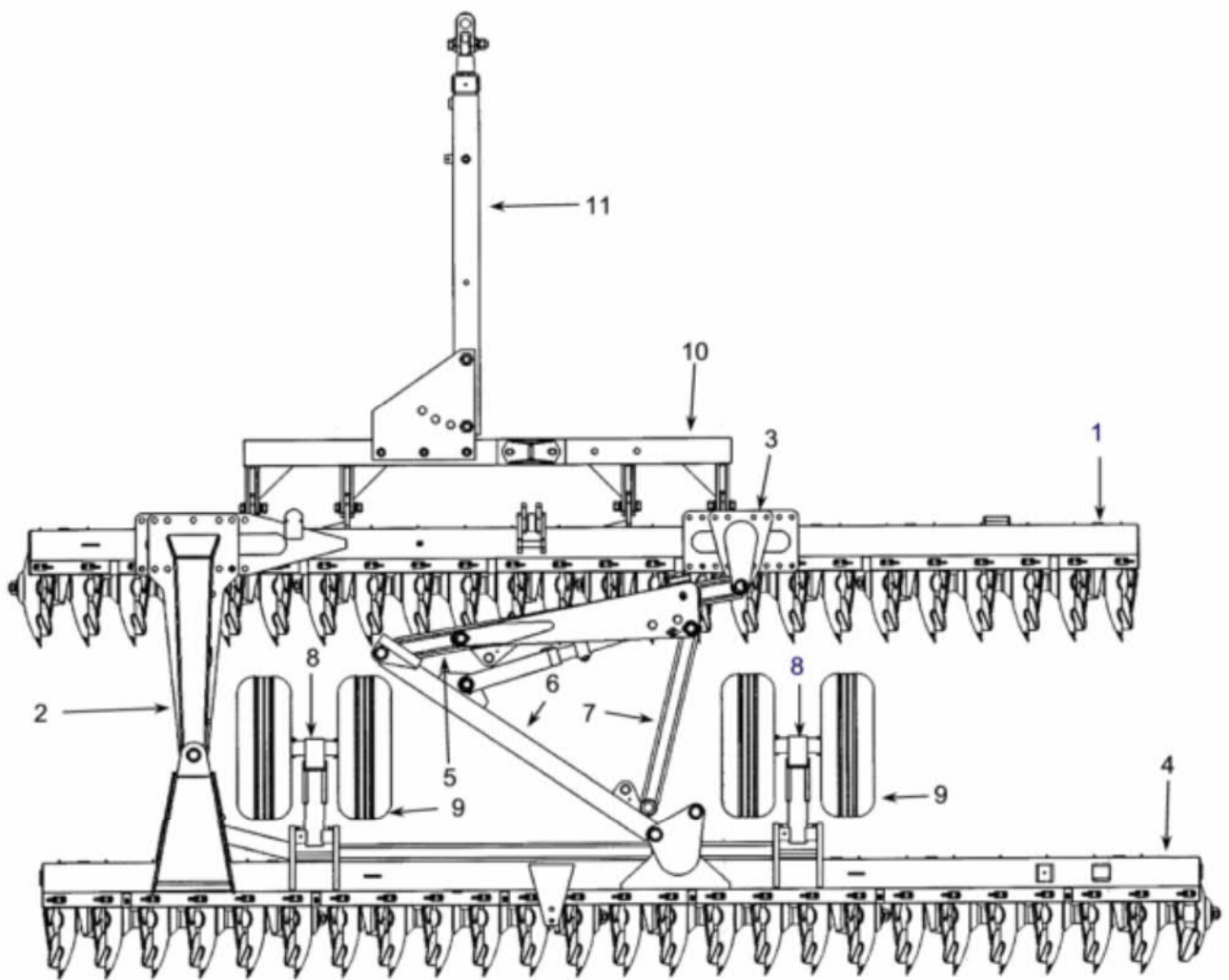
<b>REF NO.</b>	<b>PART NO.</b>	<b>PART NAME</b>	<b>QTY.</b>
1	#5RP3007114	FRONT GANG CARRIER	1
2	5RP3007772	FRONT PIVOT HINGE	1
3	5RP3007413	FRONT STABILIZER HINGE	1
4	#5RP3054743	REAR GANG CARRIER	1
5	5RP3007432A	FRONT STABILIZER ASSEMBLY	1
6	5RP3007430	REAR STABILIZER ASSEMBLY	1
7	5RP3007440	LATCH SUPPORT ASSEMBLY	1
8	5RP3005834A	DUAL WHEEL TRANSPORT ASSEMBLY	1
9	5RP3005232	TIRE AND WHEEL ASSEMBLY	3
10	5RP3006176	OFFSET BAR ASSEMBLY	1
11	5RP3008209	DRAWBAR ASSEMBLY	1
12	5RP30005833A	SINGLE WHEEL ASSEMBLY	1

FRONTIER MODEL DH4218

## HINGE-WHEEL TYPE OFFSET DISK HARROW

### PRODUCT IDENTIFICATION

#### REFERENCE ASSEMBLY



Thank you so much for reading.  
Please click the “Buy Now!”  
button below to download the  
complete manual.



After you pay.

You can download the most  
perfect and complete manual in  
the world immediately.

Our support email:

[ebooklibonline@outlook.com](mailto:ebooklibonline@outlook.com)