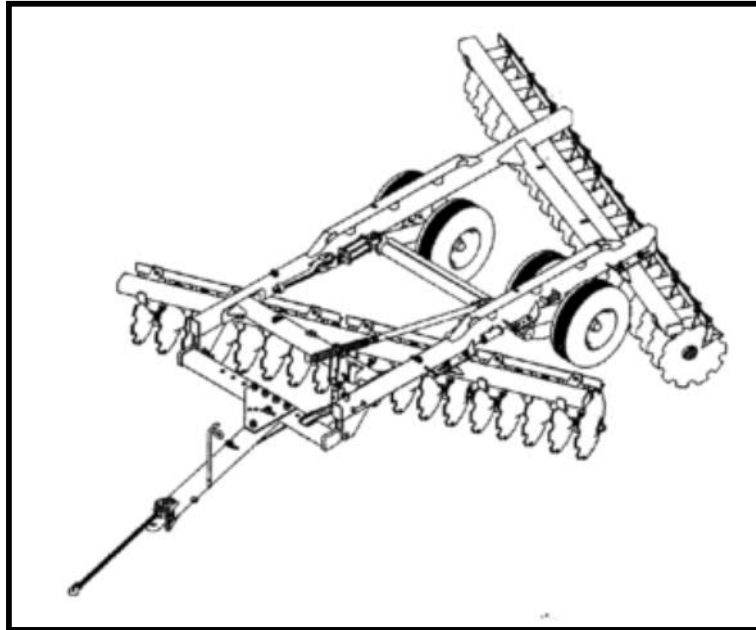




ASSEMBLY & OPERATING INSTRUCTIONS



WHEEL-TYPE OFFSET DISK HARROWS

FRONTIER RIGID HARROW SERIES

MODELS

DH4112, DH4115, DH4116, DH4117 & DH4119R

FORM NO.: 5RPMAN373AO

Printed in USA

PUBLISHED DATE: 06-08

Introduction

READ THIS MANUAL carefully to learn how to operate and service your machine correctly. Failure to do so could result in personal injury or equipment damage. This manual and safety signs on your machine may be ordered from your Frontier dealer.

THIS MANUAL SHOULD BE CONSIDERED a permanent part of your machine and should remain with the machine when you sell it.

MEASUREMENTS in this manual are given in customary U.S. units. Use only the correct replacement parts and fasteners.

RIGHT-HAND AND LEFT-HAND sides are determined by facing in the direction the implement will travel when going forward.

WRITE DOWN PRODUCT IDENTIFICATION NUMBERS. Accurately record all the numbers to help in tracing the machine should it be stolen. Your Frontier dealer also needs these numbers when you order parts. File the identification numbers in a secure place off the machine.

WARRANTY is provided as a part of Frontier's support program for customers who operate and maintain their equipment as described in this manual. The warranties are explained on the warranty pages that are included in this manual.

This warranty provides you the assurance that Frontier will back its products where defects appear within the warranty period. In some circumstances, Frontier also provides field improvements, often without charge to the customer, even if the product is out of warranty. Should the equipment be abused or modified to change its performance beyond the original factory specifications, the warranty will become void and field improvements may be denied.

Setting fuel delivery above specifications or otherwise overpowering machines will result in such action.

Contents

Introduction	2
Contents	3-5
Product Identification - Frontier Rigid Wheel -Type Offset Disk Harrows.....	6
General Information	7
Checklists	8-10
Pre-delivery Checklist.....	8
Delivery Checklist.....	9
After Sale Checklist.....	10
Each Morning of Operation Checklist.....	10
Before Each Season Checklist.....	10
Safety Signs	11,12
Safety Sign Location - Rigid Models.....	13
Safety	14-23
Recognize Safety Information.....	14
Understand Signal Words.....	14
Follow Safety Instructions.....	17
Use Seat Belt Properly.....	14
Operate Safely.....	15
Keep Riders Off Machine.....	15
Prepare For Emergencies.....	16
Wear Protective Clothing.....	16
Protect Against Noise.....	16
Use Safety Lights and Devices.....	17
Use A Safety Chain.....	17
Transport Safety.....	18
Tow Loads Safely.....	19
Practice Safe Maintenance.....	20
Remove Paint Before Welding or Heating.....	21
Avoid Heating Near Pressurized Fluid Lines.....	21
Avoid High - Pressure Fluids.....	22
Avoid Harmful Asbestos Dust.....	22
Store Attachments Safely.....	23
Dispose Of Waste Properly.....	23
Preparing The Tractor	24
Positioning Drawbar.....	24
Preparing The Disk	25
Checking And Lubricating Disk.....	25
Adjusting Rigid Scrapers.....	25
Notes.....	26
Attaching And Detaching	27-32
Attaching Disk to Tractor.....	27
Attaching Safety Chain To Tractor.....	27
Attaching Hydraulic Hoses.....	28
Attaching Warning Light Plug.....	28
Detaching Disk From Tractor.....	29
Checking Transport Control Operation.....	30

Contents

Attaching And Detaching Continued	27-32
Checking Leveling Adjustment.....	31
Leveling Setup Dimensions.....	32
Transporting Machine	33-35
Caution: Safety Guidelines.....	33
Positioning Tractor Drawbar for Transport (4-Wheel Drive).....	34
Positioning Tongue Jack For Transport.....	34
Attaching Safety Chain To Tractor.....	34
Install Transportation Locks.....	35
Attach Warning Light Plug.....	35
Transporting The Machine.....	35
Operating The Machine	36-45
Caution: Safety Guidelines.....	36
Guidelines For Use.....	37
Tighten Hardware.....	37
Operating Speed.....	37
Setting Drawbar Angle.....	38
Positioning Drawbar On Offset Bar.....	38
Positioning Drawbar To Reduce Draft On Tractor.....	40
Adjusting For Side Draft.....	41,42
Angling Front And Rear Gangs.....	43
Leveling Disk Front To Rear.....	44
Setting Depth Of Penetration.....	44
Transport Hydraulic Control.....	45
Lubrication	46
Lubricate Storage.....	46
Lubricate Gang Bearings.....	46
Lubricate Wheel Bearings.....	46
Maintenance	47-56
Caution: Safety Guidelines.....	47
Daily Maintenance.....	48
Checking Wheel Bolts And Bearings.....	49
Repack Wheel Hub Bearings Annually.....	49
Gang Bearings.....	50
Disk Gangs.....	50
Hydraulic Hoses.....	50
Fasteners.....	50
Removing Hydraulic Cylinders.....	51
Bleeding Transport Cylinders.....	51
Servicing Disk Gangs.....	52
Assembling Disk Spacers.....	52
Gang Axle Wrenches.....	52
Tighten Gang Axle Nuts.....	53
Attaching Disk Gangs To Standards.....	54
Servicing Tires Safely.....	55

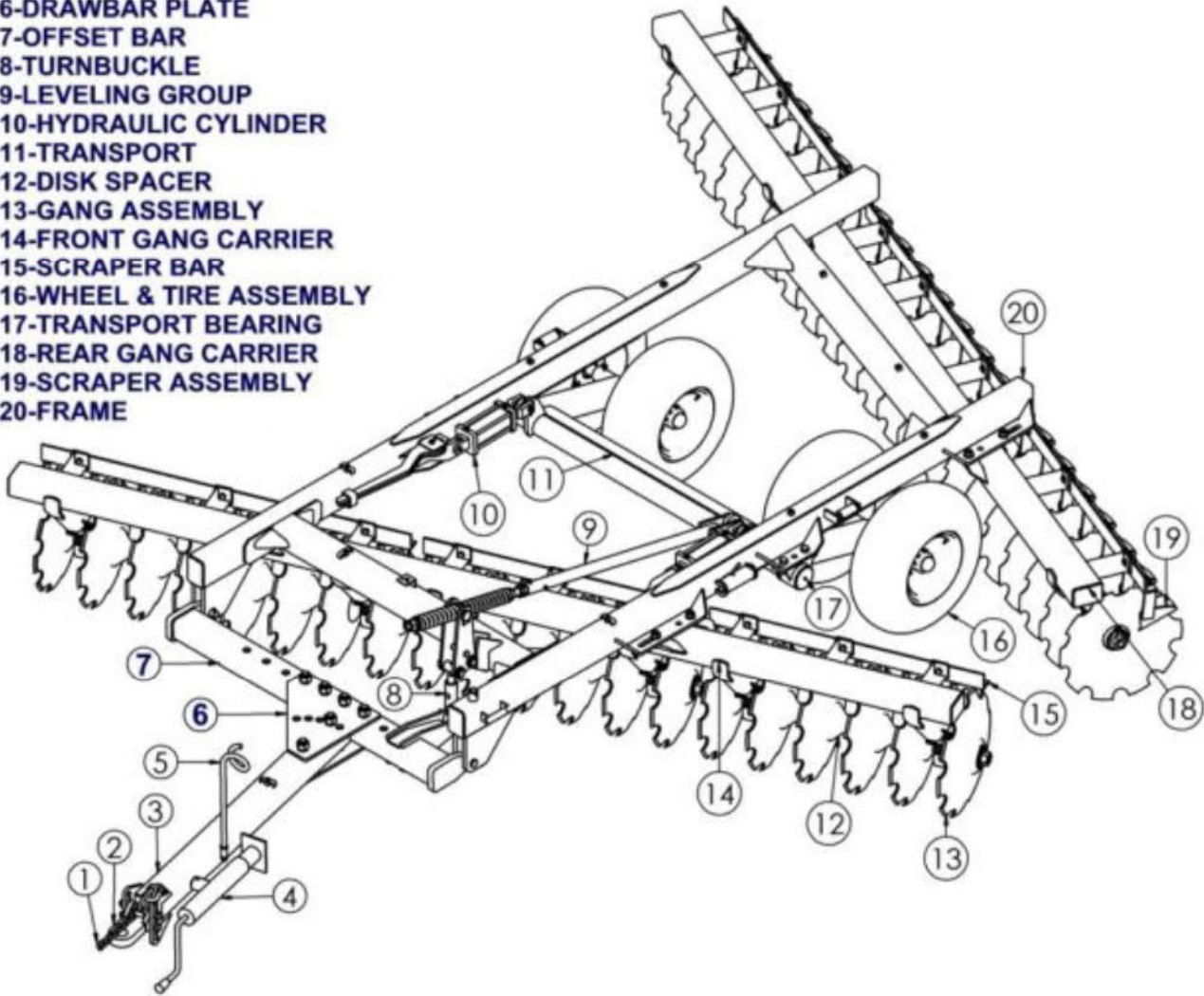
Contents

Maintenance Continued	47-56
Checking Tire Pressure.....	55
Tire Pressure Chart.....	56
Storage	57
Beginning Of Season Maintenance.....	57
End Of Season Maintenance.....	57
Assembly	58-67
Caution: Safety Guidelines.....	58
Check All Parts On Packing List.....	59
Step 1. Assembling Gangs.....	59,60
Step 2. Installing Gangs On Gang Carriers.....	61
Step 3. Installing Gang Carriers To Center Frame.....	63
Step 4. Installing Transport Assembly.....	62
Step 5. Installing Wheel Assemblies.....	62
Step 6. Attaching Transport Assembly Cylinders.....	63
Step 7. Attaching Offset Bar.....	63
Step 8. Attaching Leveling Control Assembly.....	63
Step 9. Attaching Drawbar.....	64
Step 10. Attaching Tongue Jack And Hose Support.....	64
Step 11. Installing Turnbuckle Assembly.....	64
Step 12. Attaching Transport Locks And Gang Bolt Wrenches.....	65
Step 13. Installing Transport Cylinder Hydraulic Hoses.....	65,66
Step 14. Purge Air From Hydraulic Systems.....	67
Attachment Assembly	68,69
Install Safety Chain.....	68
Bearing Wear Plates.....	68
Install Warning Lights.....	69
Suggested Repair Parts	70-74
Model DH4112.....	70
Model DH4115.....	71
Model DH4116.....	72
Model DH4117.....	73
Model DH4119R.....	74
Manuals (Operators and Parts).....	75
Specifications	76,77

General

IDENTIFICATION - Frontier RIGID OFFSET Wheel-Type Offset Disk Harrow

- 1-SAFETY CHAIN ASSEMBLY
- 2-CLEVIS
- 3-DRAWBAR
- 4-JACK
- 5-HOSE HOLDER
- 6-DRAWBAR PLATE
- 7-OFFSET BAR
- 8-TURNBUCKLE
- 9-LEVELING GROUP
- 10-HYDRAULIC CYLINDER
- 11-TRANSPORT
- 12-DISK SPACER
- 13-GANG ASSEMBLY
- 14-FRONT GANG CARRIER
- 15-SCRAPER BAR
- 16-WHEEL & TIRE ASSEMBLY
- 17-TRANSPORT BEARING
- 18-REAR GANG CARRIER
- 19-SCRAPER ASSEMBLY
- 20-FRAME



Thank you so much for reading.
Please click the “Buy Now!”
button below to download the
complete manual.



After you pay.

You can download the most
perfect and complete manual in
the world immediately.

Our support email:

ebooklibonline@outlook.com