

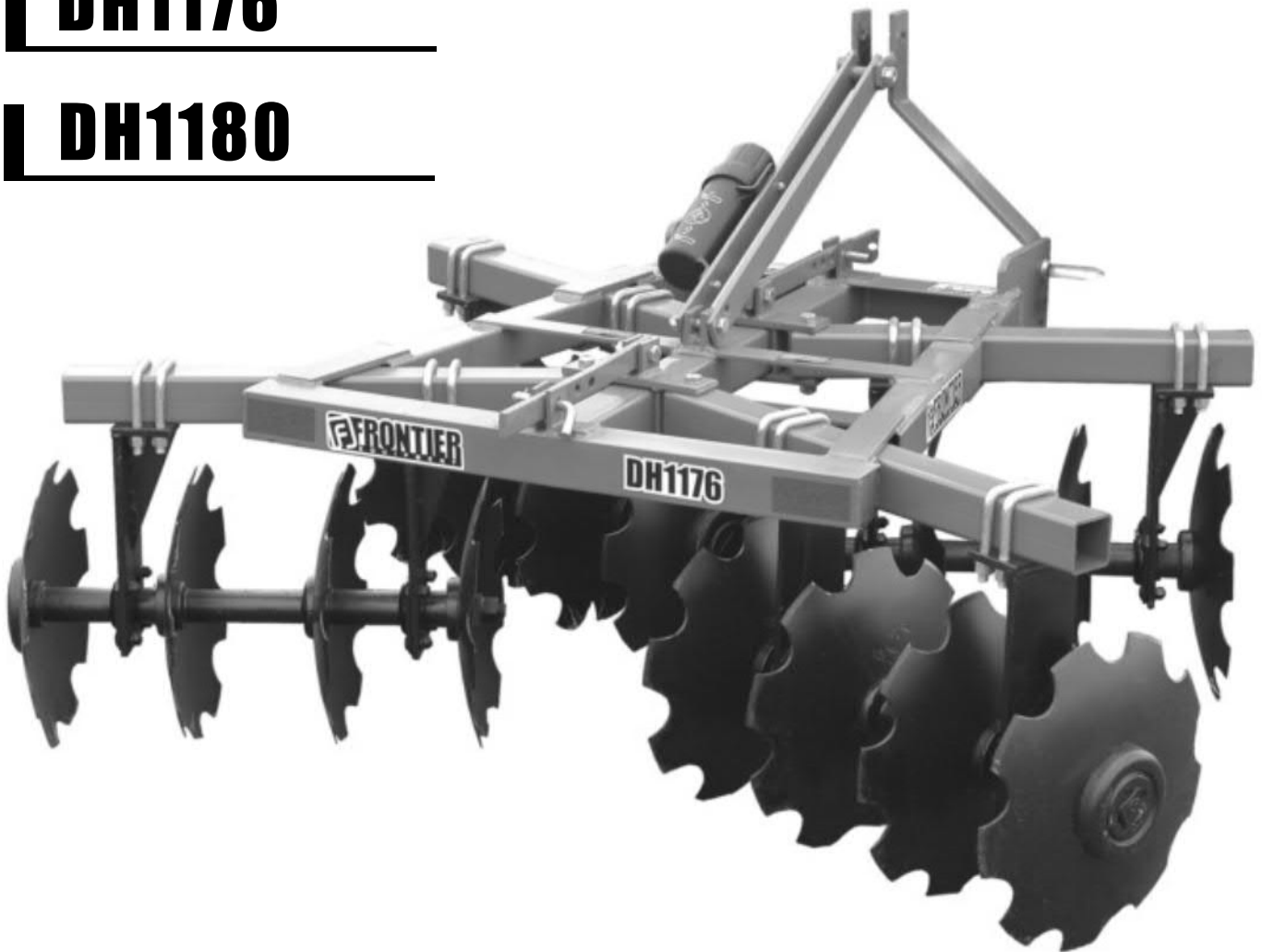
OPERATOR'S MANUAL

DISK HARROWS

DH1166

DH1176

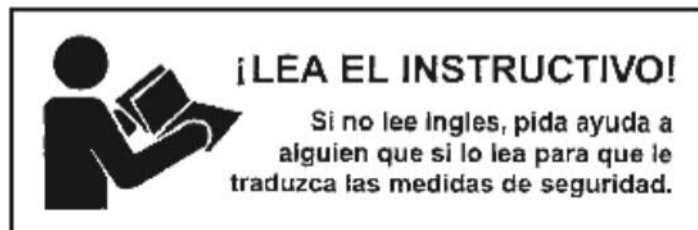
DH1180



FRONTIER
EQUIPMENT

TABLE OF CONTENTS

| | |
|--|---------|
| INTRODUCTION | ii |
| SPECIFICATIONS / GENERAL INFORMATION | 1 |
| SAFETY DECALS | 2 - 3 |
| SAFETY RULES | 4 - 6 |
| DEALER INSTRUCTIONS | 7 |
| OPERATION | 8 - 9 |
| TROUBLE SHOOTING. | 10 |
| OWNER SERVICE | 11 |
| PARTS CATALOG | 12 - 14 |
| OPTIONAL EQUIPMENT | 15 |
| BOLT SIZE AND BOLT TORQUE CHART | 16 |



Thank you so much for reading.
Please click the “Buy Now!”
button below to download the
complete manual.



After you pay.

You can download the most
perfect and complete manual in
the world immediately.

Our support email:

ebooklibonline@outlook.com