

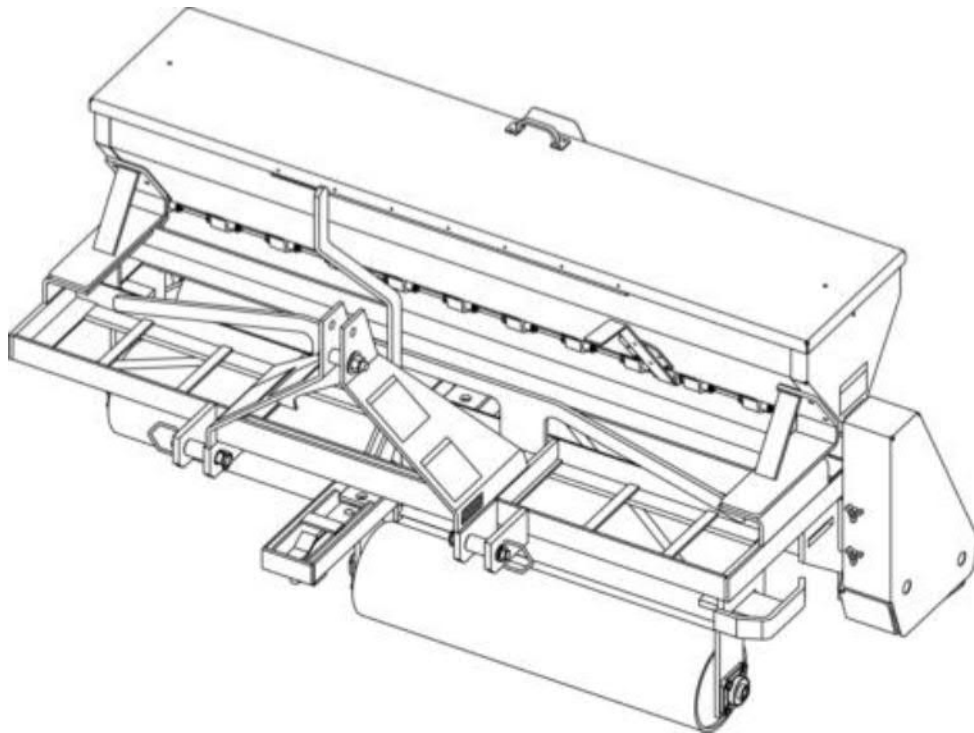
O P E R A T O R ' S M A N U A L

OVERSEEDER

TR1048

TR1060

TR1072



FRONTIER
EQUIPMENT™

TABLE OF CONTENTS

INTRODUCTION	2
SPECIFICATIONS	4
GENERAL INFORMATION.....	4
SAFETY RULES.....	5
SAFETY DECALS	7
DEALER CHECK LISTS.....	9
OPERATION.....	10
OWNER SERVICE	15
PARTS	
DRIVE ASSEMBLY	17
FRAME & ROLLER ASSEMBLY	18 - 19
SEEDBOX ASSEMBLY	20 - 21
BOLT TORQUE CHART.....	22
BOLT SIZE CHART & ABBREVIATIONS.....	23

Thank you so much for reading.
Please click the “Buy Now!”
button below to download the
complete manual.



After you pay.

You can download the most
perfect and complete manual in
the world immediately.

Our support email:

ebooklibonline@outlook.com