

O P E R A T O R ' S M A N U A L

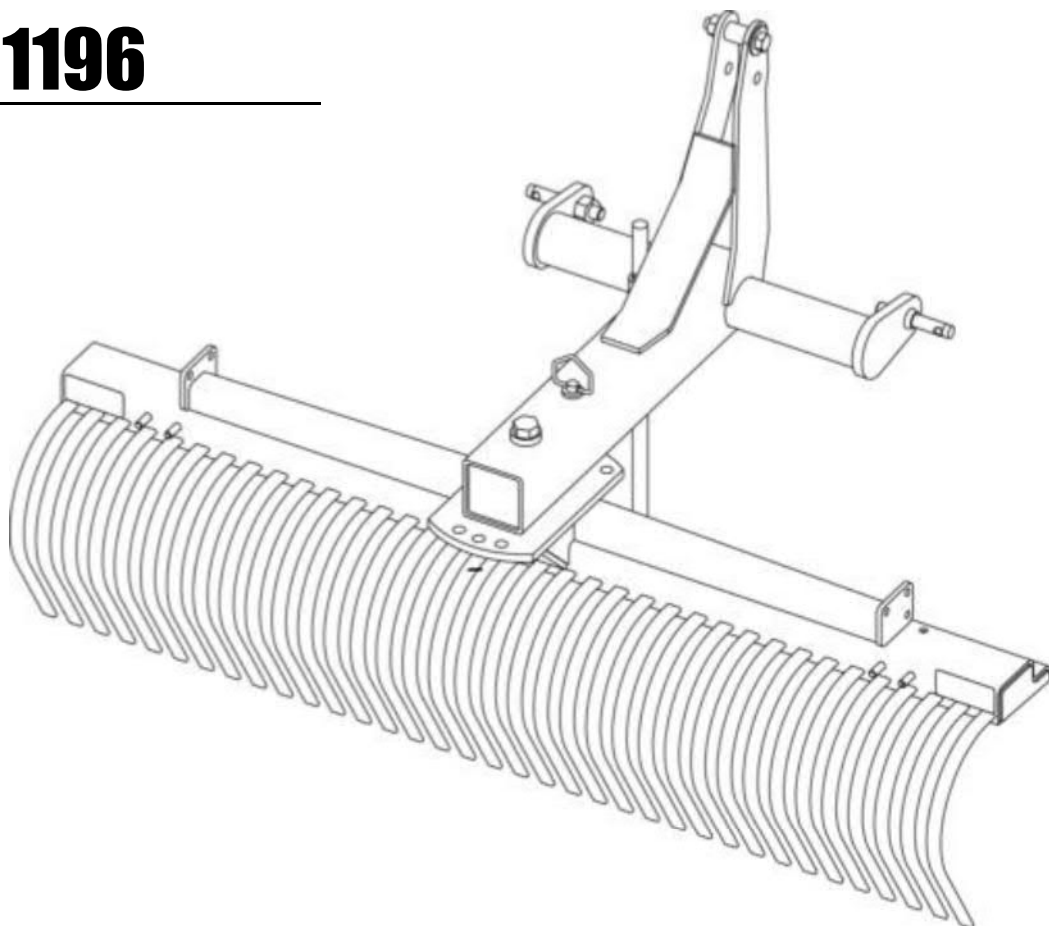
LANDSCAPE RAKES

LR1072

LR1172

LR1184

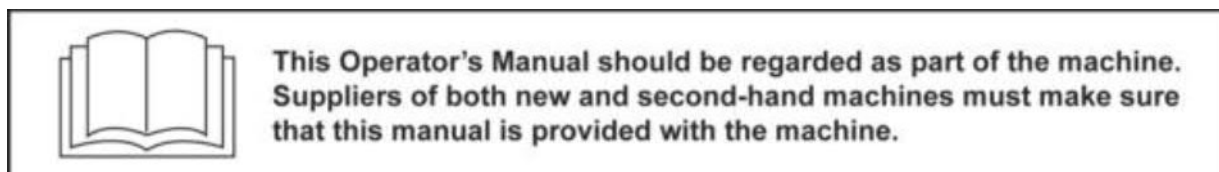
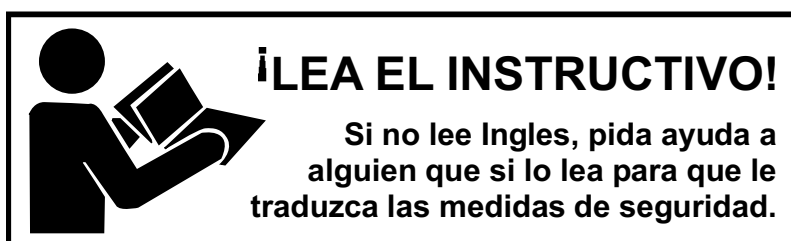
LR1196



FRONTIER
EQUIPMENT™

TABLE OF CONTENTS

INTRODUCTION.....	2
SPECIFICATIONS.....	4
GENERAL INFORMATION.....	4
SAFETY RULES.....	5
SAFETY DECALS.....	7
OPERATION.....	9
MAINTENANCE.....	11
ASSEMBLY INSTRUCTIONS.....	13
DEALER CHECK LISTS.....	14
PARTS LISTS.....	15
BOLT TORQUE CHART.....	18
BOLT SIZE CHART & ABBREVIATIONS.....	19



Thank you so much for reading.
Please click the “Buy Now!”
button below to download the
complete manual.



After you pay.

You can download the most
perfect and complete manual in
the world immediately.

Our support email:

ebooklibonline@outlook.com