

O P E R A T O R ' S M A N U A L

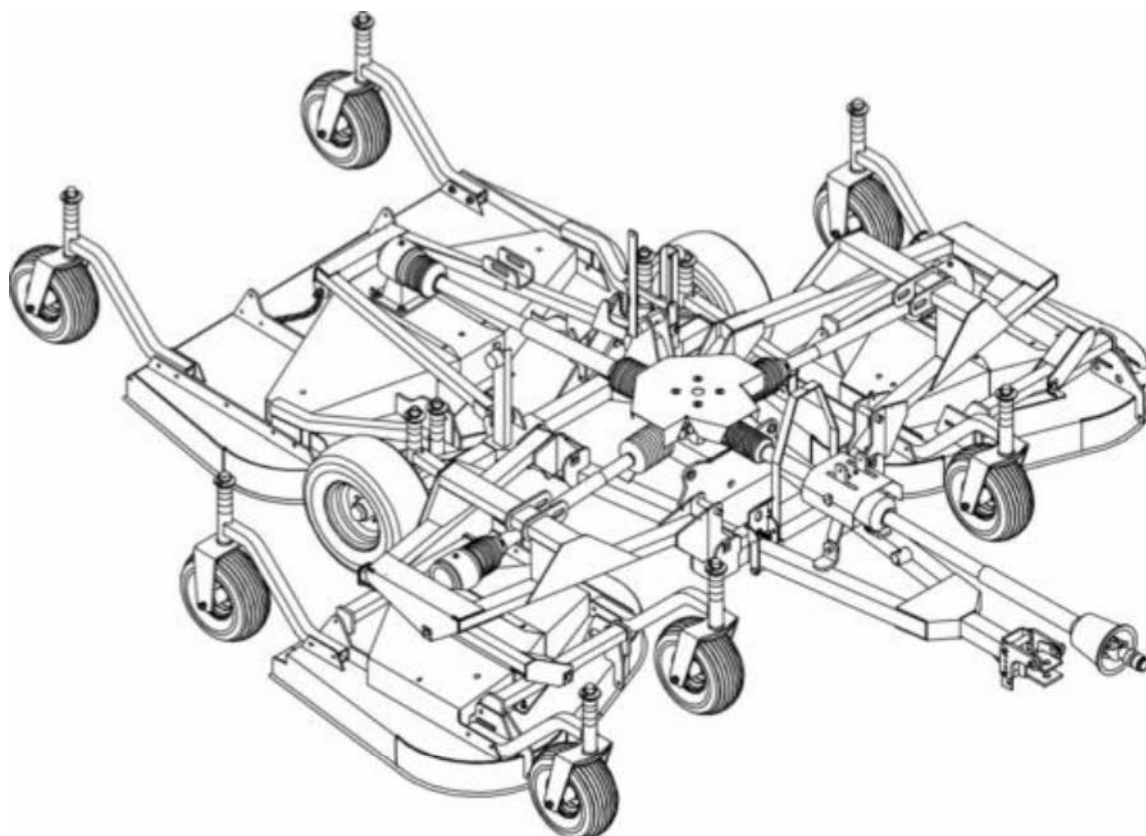
GROOMING MOWERS

FM1012R

FM1015R

FM1017R

15-Digit Serial Numbers WDFM10XXR239170 & Above, and
13-Digit/17-Digit XF Serial Numbers up to 1XFFM10XAB0000105
Revision Effective 7/2007



FRONTIER
EQUIPMENT™

TABLE OF CONTENTS

INTRODUCTION	INSIDE FRONT COVER
SPECIFICATIONS	2
GENERAL INFORMATION	2
SAFETY RULES	3-6
SAFETY DECALS	7-10
OPERATION	11
OWNER SERVICE	17
TROUBLE SHOOTING	22
DEALER SERVICE	24
ASSEMBLY	32
DEALER CHECK LISTS	34
PARTS LISTS	35
BOLT TORQUE CHART	55
BOLT SIZE CHART & ABBREVIATIONS	56
INDEX	57
PRODUCT WARRANTY	58
REPLACEMENT PARTS WARRANTY	INSIDE BACK COVER

Thank you so much for reading.
Please click the “Buy Now!”
button below to download the
complete manual.



After you pay.

You can download the most
perfect and complete manual in
the world immediately.

Our support email:

ebooklibonline@outlook.com