

TABLE OF CONTENT

Page Number	Page Title	Page Reference
01-000-TOC	ENGINE V835477030 98 AWF	01-000-TOC
02-000-TOC	ENGINE INSTALLATION	02-000-TOC
03-000-TOC	DRIVE SYSTEM	03-000-TOC
04-000-TOC	AXLES	04-000-TOC
05-000-TOC	STEERING SYSTEM	05-000-TOC
06-000-TOC	DRIVE TRAIN SYSTEM	06-000-TOC
07-000-TOC	BRAKE SYSTEM	07-000-TOC
08-000-TOC	HYDRAULIC SYSTEM	08-000-TOC
09-000-TOC	ELECTRICAL SYSTEM	09-000-TOC
10-000-TOC	CAB	10-000-TOC
11-000-TOC	AIR CONDITIONING AND HEATING SYSTEM	11-000-TOC
12-000-TOC	CHASSIS	12-000-TOC
13-000-TOC	DECALS	13-000-TOC
14-000-TOC	WHEELS	14-000-TOC
15-000-TOC	FEEDING SYSTEM	15-000-TOC
16-000-TOC	THRESHING SYSTEM	16-000-TOC
17-000-TOC	CLEANING SYSTEM	17-000-TOC
18-000-TOC	GRAIN BIN AND ELEVATOR SYSTEM	18-000-TOC
19-000-TOC	DISCHARGE SYSTEM	19-000-TOC
20-000-TOC	PRECISION FARMING SYSTEMS	20-000-TOC
21-000-TOC	ACCESSORIES	21-000-TOC

Page Number	Page Title	Page Reference
01-0001	ENGINE ASSEMBLIES - ENGINE SERIAL NUMBER RANGE A55788-A64773	1MDL1716772
01-0002	CYLINDER BLOCK	1MDL1709191
01-0003	TIMING GEARS AND HOUSING	1MDL1709241
01-0004	FLYWHEEL AND HOUSING	1MDL2200495
01-0005	CRANKSHAFT AND PISTONS	1MDL2200518
01-0006	CAMSHAFT AND VALVE MECHANISM	1MDL2200520
01-0007	CYLINDER HEAD	1MDL2200552
01-0008	VALVE ROCKER COVER	1MDL2200553
01-0009	INTAKE MANIFOLD	1MDL1709242
01-0010	EXHAUST MANIFOLD	1MDL2200867
01-0011	HIGH PRESSURE TURBOCHARGER	1MDL1709197
01-0012	LOW PRESSURE TURBOCHARGER AND ICAC	1MDL1709198
01-0013	EXHAUST GAS RECIRCULATION (EGR)	1MDL2200897
01-0014	OIL PUMP AND SUMP	1MDL1709256
01-0015	OIL COOLER AND FILTER	1MDL2200950
01-0016	CLOSED CRANKCASE VENTILATION (CCV)	1MDL2200951
01-0017	COOLANT PIPING	1MDL2200952
01-0018	COOLANT PUMP AND THERMOSTAT	1MDL2201257
01-0019	FUEL INJECTION SYSTEM	1MDL2201258
01-0020	FUEL FILTERS	1MDL2201259
01-0021	ELECTRONIC ENGINE MANAGEMENT	1MDL2201262
01-0022	ALTERNATOR	1MDL1709243
01-0023	STARTER MOTOR	1MDL2201277
01-0024	FAN DRIVE	1MDL1709244
01-0025	EXHAUST AFTERTREATMENT	1MDL2201326
01-0026	ENGINE OVERHAUL PARTS	1MDL2201337
01-0027	SPECIAL OVERHAUL PARTS	1MDL1709264

Fendt

9490X (502000001-999 / 502400001-999 AL) COMBINE

6246078

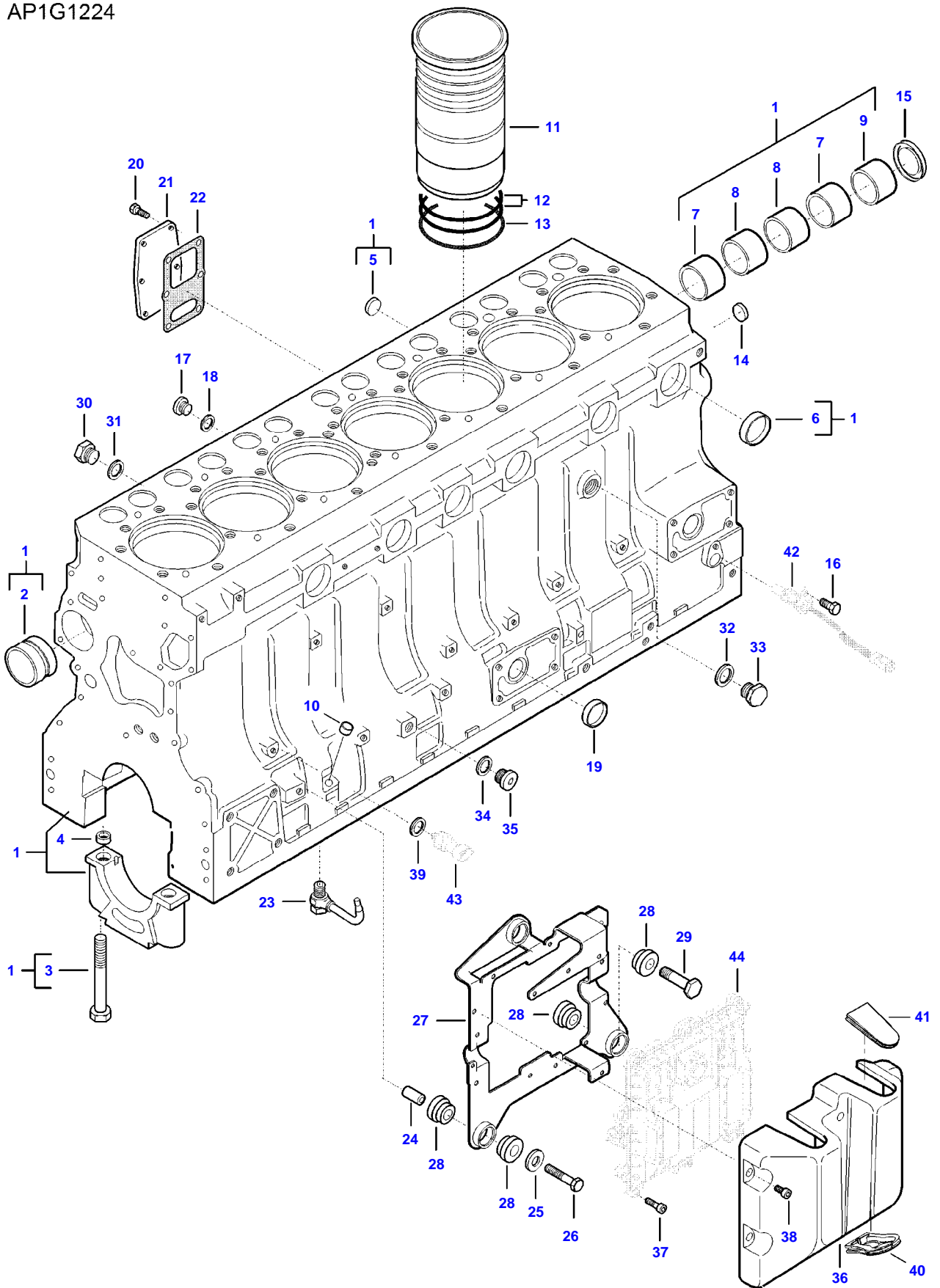
ENGINE ASSEMBLIES - ENGINE SERIAL NUMBER RANGE A55788-A64773

Page01-0001

Item	Part Number	Qty	Description Comments	Technical Specification
1	V835477030	1	ENGINE 343/2100 (KW/RPM)	98 AWF
2	V865477030V	1	LONG BLOCK ENGINE	98 AWF
3	V865477030X	1	SHORT BLOCK ENGINE	98 AWF
4	V837079921	1	LABEL ENGINE TYPE PLATE	

9490X (502000001-999 / 502400001-999 AL) COMBINE
AP1G1224

AP1G1224



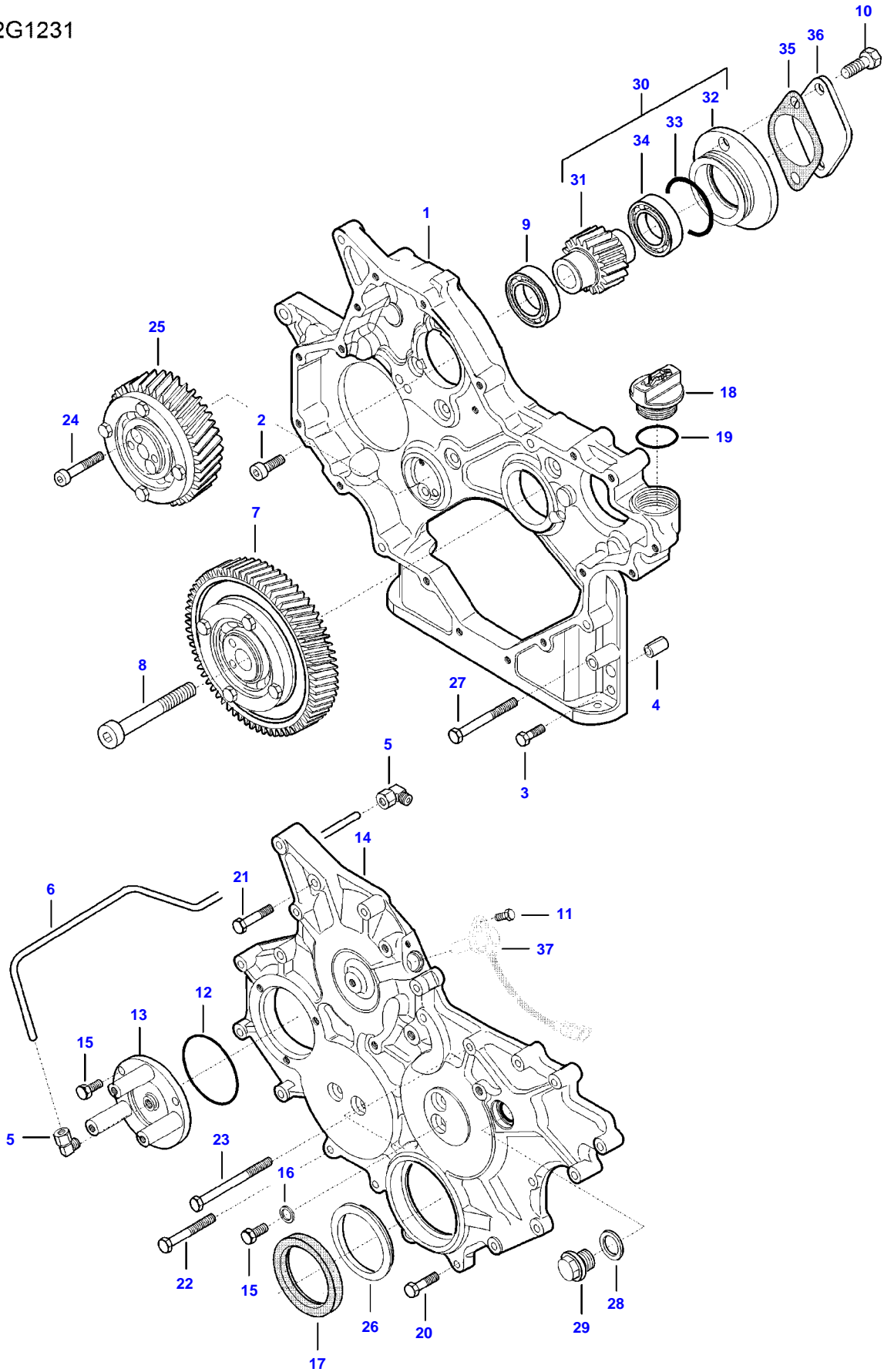
CYLINDER BLOCK

Item	Part Number	Qty	Description Comments	Technical Specification
1	V837084173	1	CYLINDER BLOCK	98 AWF
2	V836866069	1	CAMSHAFT BEARING BUSH (1)	
3	V835329030	16	HEX CAP SCREW (1)	
4	V836214478	16	GUIDE SLEEVE (1)	
5	V640016020	2	CUP PLUG (1)	
6	V640016040	5	CUP PLUG (1)	
7	V836852460	2	CAMSHAFT BEARING BUSH (1)	
8	V836852459	2	CAMSHAFT BEARING BUSH (1)	
9	V836852461	1	CAMSHAFT BEARING BUSH (1)	
10	V640016012	1	CUP PLUG	
11	V836867048	7	LINER	
12	V836855446	14	CYLINDER LINER O-RING [B]	
13	V836855447	7	CYLINDER LINER O-RING [B]	
14	V640016016	2	CUP PLUG [B]	
15	V836852744	1	PLUG	
16	V528801362	1	HEX CAP SCREW	
17	V640325110	5	SCREW PLUG	
18	V615871014	5	SEALING WASHER [B]	
19	V640016035	1	CUP PLUG	
20	V528801380	6	HEX CAP SCREW	
21	V836846444	1	COVER	
22	V836322852	1	GASKET [B]	
23	V837074224	7	PISTON COOLING JET	
24	V836855626	2	SPACER	
25	V500750842	2	WASHER	
26	V529801430	2	HEX CAP SCREW	
27	V837084081	1	ECU BRACKET	
28	V837084129	6	DAMPER	
29	V837069056	1	HEX CAP SCREW	
30	V836119079	1	PLUG	
31	V615881620	1	SEALING WASHER [B]	
32	V615881824	1	SEALING WASHER [B]	
33	V836019756	1	PLUG	
34	V615881420	1	SEALING WASHER [B]	
35	V640325014	1	PLUG	
36	V837084080	1	COVER	
37	V581804222	8	HEX SOCKET SCREW	
38	V581804182	5	HEX SOCKET SCREW	
39	V615871016	1	SEALING WASHER [B]	
40	V837084661	1	SHIELD	
41	V837084136	2	SHIELD	
42		1	SEE PAGE 01-0021	
43		1	SEE PAGE 01-0021	
44		1	SEE PAGE 01-0021	

[B] INCLUDED IN COMPLETE ENGINE GASKET KIT 2

9490X (502000001-999 / 502400001-999 AL) COMBINE
AP2G1231

AP2G1231



TIMING GEARS AND HOUSING

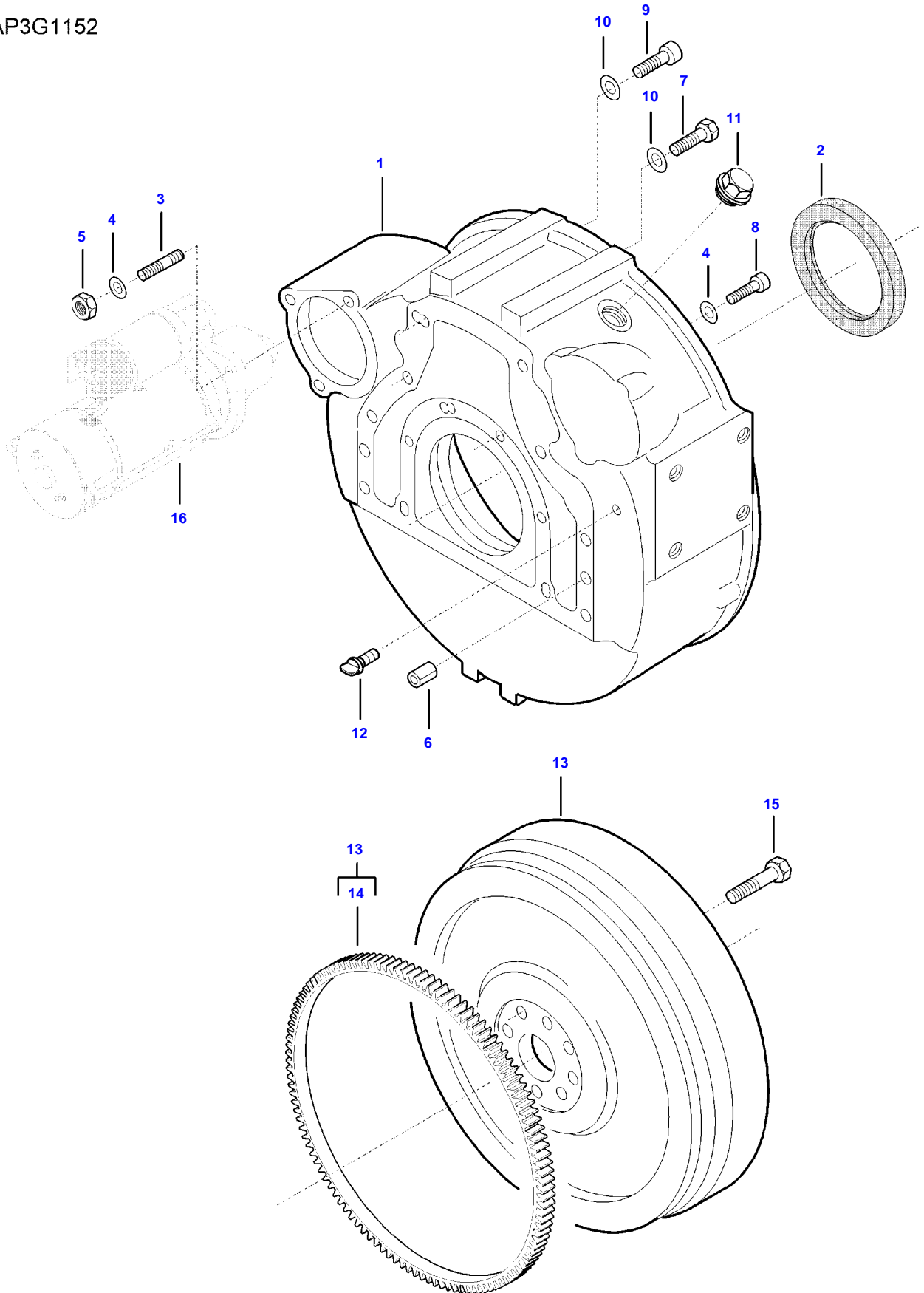
Item	Part Number	Qty	Description Comments
1	V837074712	1	TIMING GEAR CASE
2	V581804602	10	HEX SOCKET SCREW
3	V528801400	2	HEX CAP SCREW
4	V598359850	2	PIN
5	V641166006	2	ELBOW FITTING
6	V836867775	1	OIL PIPE
7	V837073583	1	IDLER GEAR
8	V581705910	1	HEX SOCKET SCREW
9	V610060096	1	BALL BEARING
10	V528802602	2	HEX CAP SCREW
11	V528801062	1	HEX CAP SCREW
12	V614606825	1	O-RING [B]
13	V837073524	1	BRACKET
14	V837074715	1	GEAR HOUSING FRONT COVER
15	V528801380	7	HEX CAP SCREW
16	V615870814	4	SEALING WASHER [B]
17	V837084867	1	CRANKSHAFT SEAL [B]
18	V837081106	1	OIL FILLER CAP
19	V614603540	1	O-RING [B]
20	V528801410	5	HEX CAP SCREW
21	V529801440	14	HEX CAP SCREW
22	V529801510	2	HEX CAP SCREW
23	V529801540	1	HEX CAP SCREW
24	V580704670	2	HEX SOCKET SCREW
25	V837073256	1	IDLER GEAR
26	V836873075	1	SHIELD
27	V529801470	1	HEX CAP SCREW
28	V615882227	1	SEALING WASHER [B]
29	V640045022	1	PLUG
30	V837070137	1	DRIVE
31	V837070005	1	HYDRAULIC PUMP GEAR WHEEL (30)
32	V836855651	1	FLANGE (30)
33	V614609430	1	O-RING (30) [B]
34	V610060096	1	BALL BEARING (30)
35	V836864459	1	GASKET
36	V836864458	1	COVER
37		1	

SEE PAGE 01-0021

[B] INCLUDED IN COMPLETE ENGINE GASKET KIT 2

9490X (502000001-999 / 502400001-999 AL) COMBINE
AP3G1152

AP3G1152



FLYWHEEL AND HOUSING

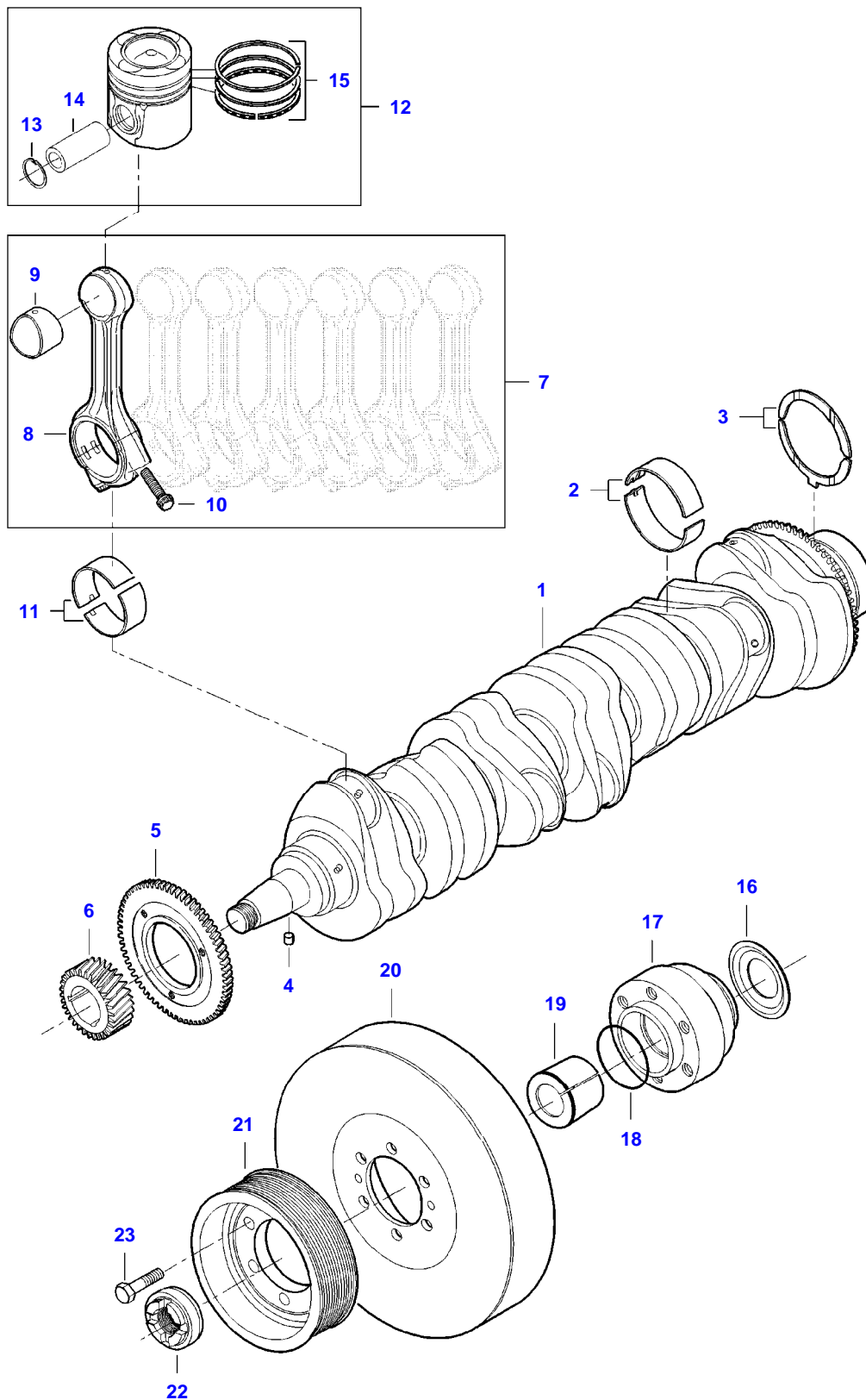
Item	Part Number	Qty	Description Comments
1	V836647442	1	FLYWHEEL HOUSING
2	V837091173	1	CRANKSHAFT SEAL [A]
3	V546801815	3	STUD BOLT
4	V500951000	6	SPRING WASHER
5	V504601000	3	NUT
6	V598359850	2	PIN
7	V528902220	6	HEX CAP SCREW
8	V581705030	6	HEX SOCKET SCREW
9	V581705440	2	HEX SOCKET SCREW
10	V500951200	8	SPRING WASHER
11	V640045126	1	PLUG
12	V836859311	1	PLUG
13	V836859485	1	FLYWHEEL
14	V836117943	1	STARTER RING (13)
15	V529702630	8	HEX CAP SCREW
16			

SEE PAGE 01-0023

[A] INCLUDED IN CYLINDER HEAD GASKET KIT 1

9490X (502000001-999 / 502400001-999 AL) COMBINE
AP4G1982

AP4G1982

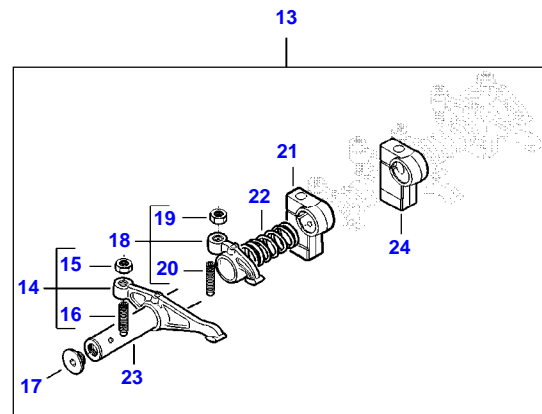
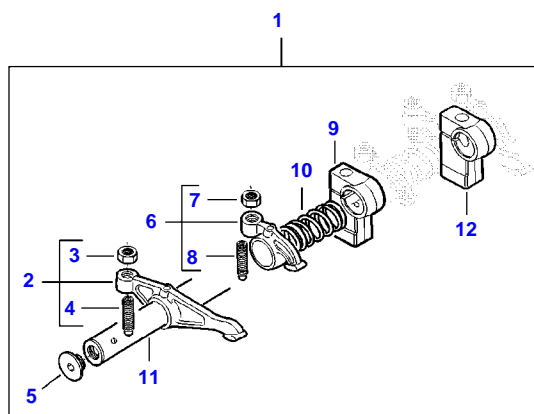
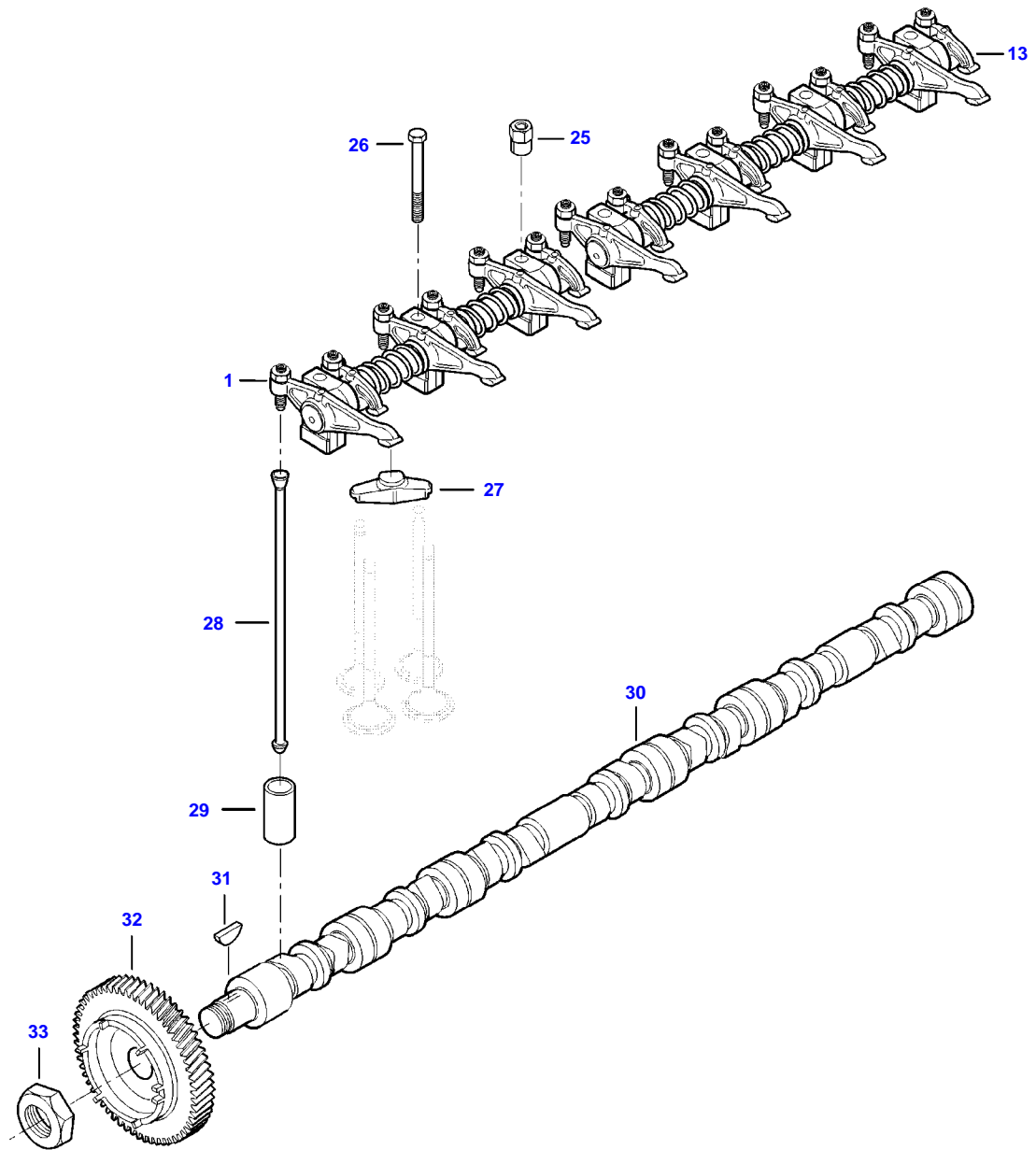


CRANKSHAFT AND PISTONS

Item	Part Number	Qty	Description Comments	Technical Specification
1	V837074477	1	CRANKSHAFT	
2	V837079248	8	MAIN BEARING	
3	V837079249	2	THRUST WASHER	
4	V836867857	1	KEY	
5	V836874041	1	CRANKSHAFT GEAR	
6	V837073672	1	CRANKSHAFT GEAR	
7	V837079496	1	CONNECTING ROD KIT	
8		7	NOT AVAILABLE AS SINGLE PART (7)	
9	V836864288	7	BEARING BUSH (7),(8)	
10	V836873510	14	CONNECTING ROD BOLT (7),(8)	
11	V837062996	7	CONROD BEARING	STD
12	V837086083	7	PISTON	
13		14	NOT AVAILABLE AS SINGLE PART (12)	
14		7	NOT AVAILABLE AS SINGLE PART (12)	
15	V837079459	7	PISTON RING KIT (12)	
16	V836867858	1	RING	
17	V836867859	1	CRANKSHAFT HUB	
18	V614606770	1	O-RING	
19	V836873339	1	SLEEVE	
20	V837073505	1	CRANKSHAFT VIBRATION DAMPENER	
21	V836867861	1	CRANKSHAFT PULLEY	
22	V836874315	1	CRANKSHAFT NUT	
23	V581705890	6	HEX SOCKET SCREW	

9490X (502000001-999 / 502400001-999 AL) COMBINE
AP5G2054

AP5G2054

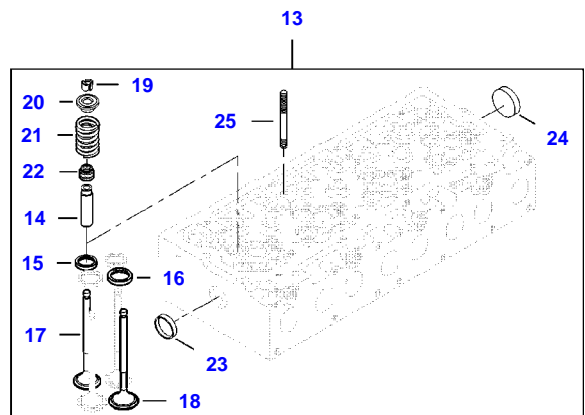
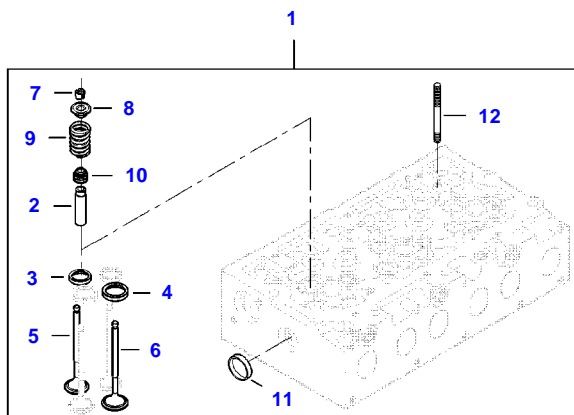
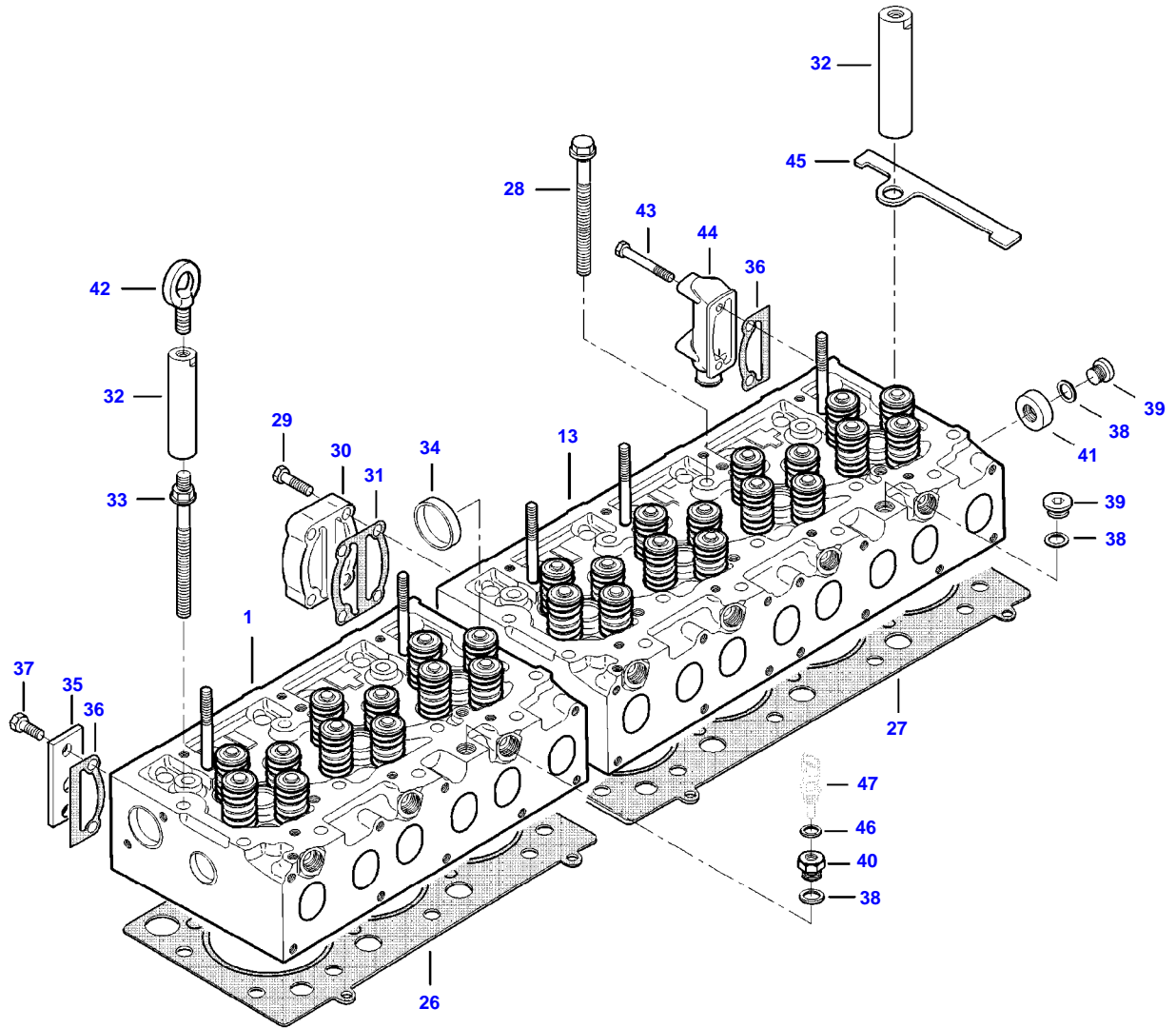


CAMSHAFT AND VALVE MECHANISM

Item	Part Number	Qty	Description Comments	Technical Specification
1	V837069016	1	ROCKER SHAFT ASM	3-CYL 4V
2	V837069011	3	ROCKER ARM (1)	4V INTAKE
3	V512861000	3	NUT (1),(2)	
4	V837069023	3	VALVE ROCKER ADJUSTMENT SCREW (1),(2)	
5	V837069020	2	PLUG (1)	
6	V837069013	3	ROCKER ARM (1)	4V EXHAUST
7	V512861000	3	NUT (1),(6)	
8	V837069023	3	VALVE ROCKER ADJUSTMENT SCREW (1),(6)	
9	V837069018	1	ROCKER SHAFT BRACKET (1)	
10	V837069019	2	SPRING (1)	
11	V837069015	1	SHAFT (1)	
12	V837069017	2	ROCKER SHAFT BRACKET (1)	
13	V837070105	1	ROCKER SHAFT ASM	4-CYL 4V
14	V837069011	4	ROCKER ARM (13)	4V INTAKE
15	V512861000	4	NUT (13),(14)	
16	V837069023	4	VALVE ROCKER ADJUSTMENT SCREW (13),(14)	
17	V837069020	2	PLUG (13)	
18	V837069013	4	ROCKER ARM (13)	4V EXHAUST
19	V512861000	4	NUT (13),(18)	
20	V837069023	4	VALVE ROCKER ADJUSTMENT SCREW (13),(18)	
21	V837069017	3	ROCKER SHAFT BRACKET (13)	
22	V837069019	3	SPRING (13)	
23	V837070104	1	SHAFT (13)	
24	V837069018	1	ROCKER SHAFT BRACKET (13)	
25	V836655406	5	SLEEVE NUT	
26	V529801912	2	HEX CAP SCREW	
27	V837073089	14	VALVE BRIDGE	
28	V837084416	14	PUSH ROD	
29	V836014264	14	TAPPET	
30	V837073488	1	CAMSHAFT	
31	V603305760	1	WOODRUFF KEY	
32	V837073675	1	CAMSHAFT GEAR	
33	V837069085	1	NUT	

9490X (502000001-999 / 502400001-999 AL) COMBINE
AP6G2384

AP6G2384



CYLINDER HEAD

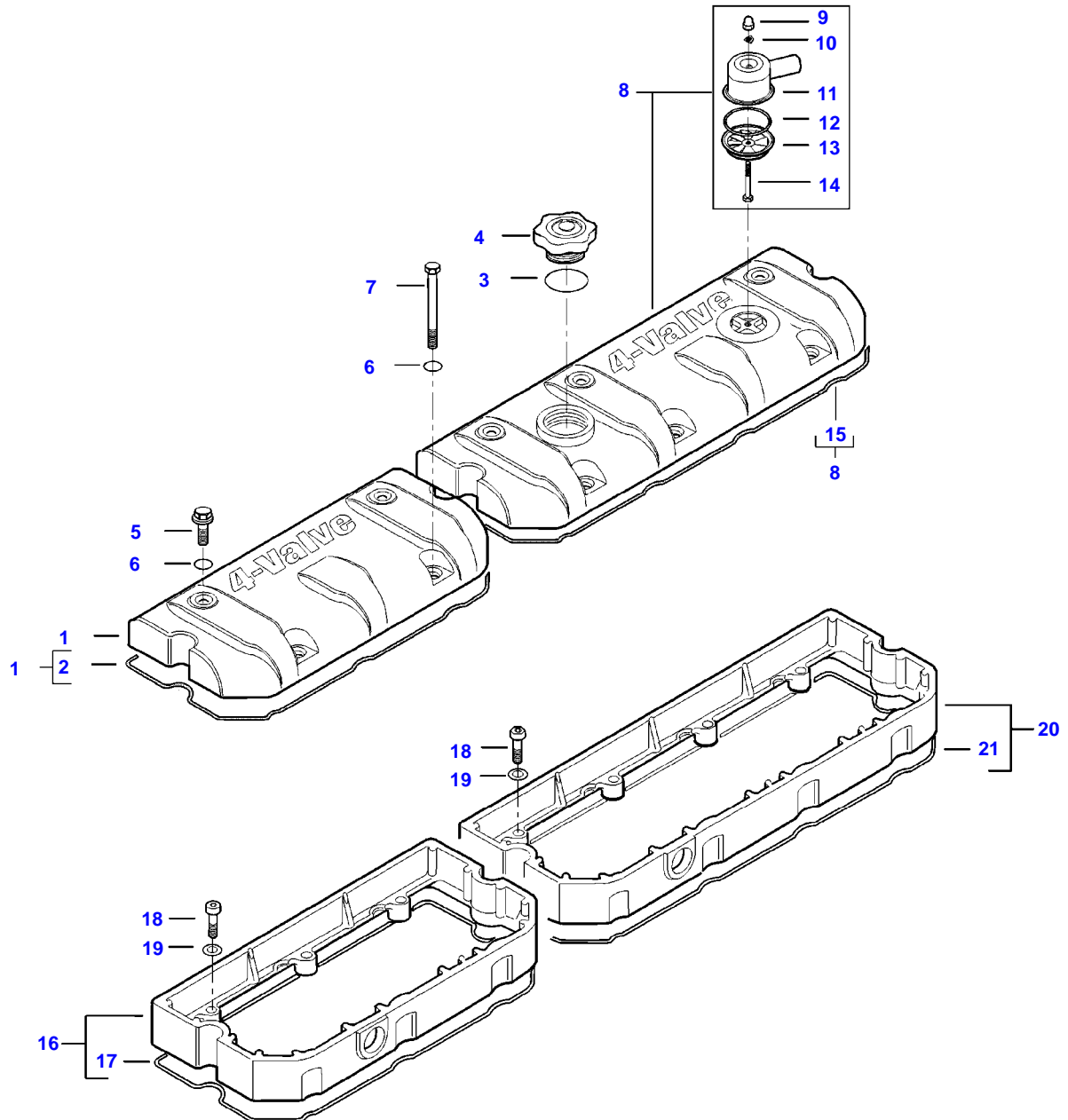
Item	Part Number	Qty	Description Comments	Technical Specification
1	V837073233	1	CYLINDER HEAD	
2	V837073174	12	VALVE GUIDE (1)	4V STD
3	V837064907	6	VALVE SEAT (1)	4V EXHAUST STD
4	V837064908	6	VALVE SEAT (1)	4V INTAKE STD
5	V837069002	6	EXHAUST VALVE (1)	
6	V837069003	6	INTAKE VALVE (1)	
7	V837064910	24	COTTER (1)	
8	V837069004	12	SPRING PLATE (1)	
9	V837069005	12	VALVE SPRING (1)	
10	V837073165	12	VALVE STEM GASKET (1) [A]	
11	V836647942	4	CUP PLUG (1)	
12	V546901900	2	STUD BOLT (1)	
13	V837084666	1	CYLINDER HEAD	
14	V837073174	16	VALVE GUIDE (13)	4V STD
15	V837064907	8	VALVE SEAT (13)	4V EXHAUST STD
16	V837064908	8	VALVE SEAT (13)	4V INTAKE STD
17	V837069002	8	EXHAUST VALVE (13)	
18	V837069003	8	INTAKE VALVE (13)	
19	V837064910	32	COTTER (13)	
20	V837069004	16	SPRING PLATE (13)	
21	V837069005	16	VALVE SPRING (13)	
22	V837073165	16	VALVE STEM GASKET (13) [A]	
23	V836647942	5	CUP PLUG (13)	
24	V640016045	1	CUP PLUG (13)	
25	V546801900	3	STUD BOLT (13)	
26	V837084523	1	CYLINDER HEAD GASKET [A]	
27	V837070291	1	CYLINDER HEAD GASKET [A]	
28	V837069025	32	CYLINDER HEAD BOLT	
29	V528801820	4	HEX CAP SCREW	
30	V836855348	1	CONNECTION FLANGE	
31	V836867752	1	GASKET [A]	
32	V836867567	2	LIFTING EYE EXTENSION	
33	V837073571	7	CYLINDER HEAD BOLT	
34	V640016045	1	CUP PLUG	
35	V836855350	1	BLOCK OFF PLATE	
36	V836867753	2	GASKET [A]	
37	V528801800	2	HEX CAP SCREW	

CYLINDER HEAD

Item	Part Number	Qty	Description Comments	Technical Specification
38	V615881822	3	SEALING WASHER [A]	
39	V640325018	2	PLUG	
40	V836119643	1	THREADED NIPPLE	
41	V836667103	1	UNION	
42	V836640752	2	LIFT EYE	
43	V529801900	2	HEX CAP SCREW	
44	V837074831	1	WATER PIPE	
45	V837084613	1	SUPPORT	
46	V615881418	1	SEALING WASHER [A]	
47		1	SEE PAGE 01-0021 [A] INCLUDED IN CYLINDER HEAD GASKET KIT 1	

9490X (502000001-999 / 502400001-999 AL) COMBINE
AP35G2050

AP35G2050



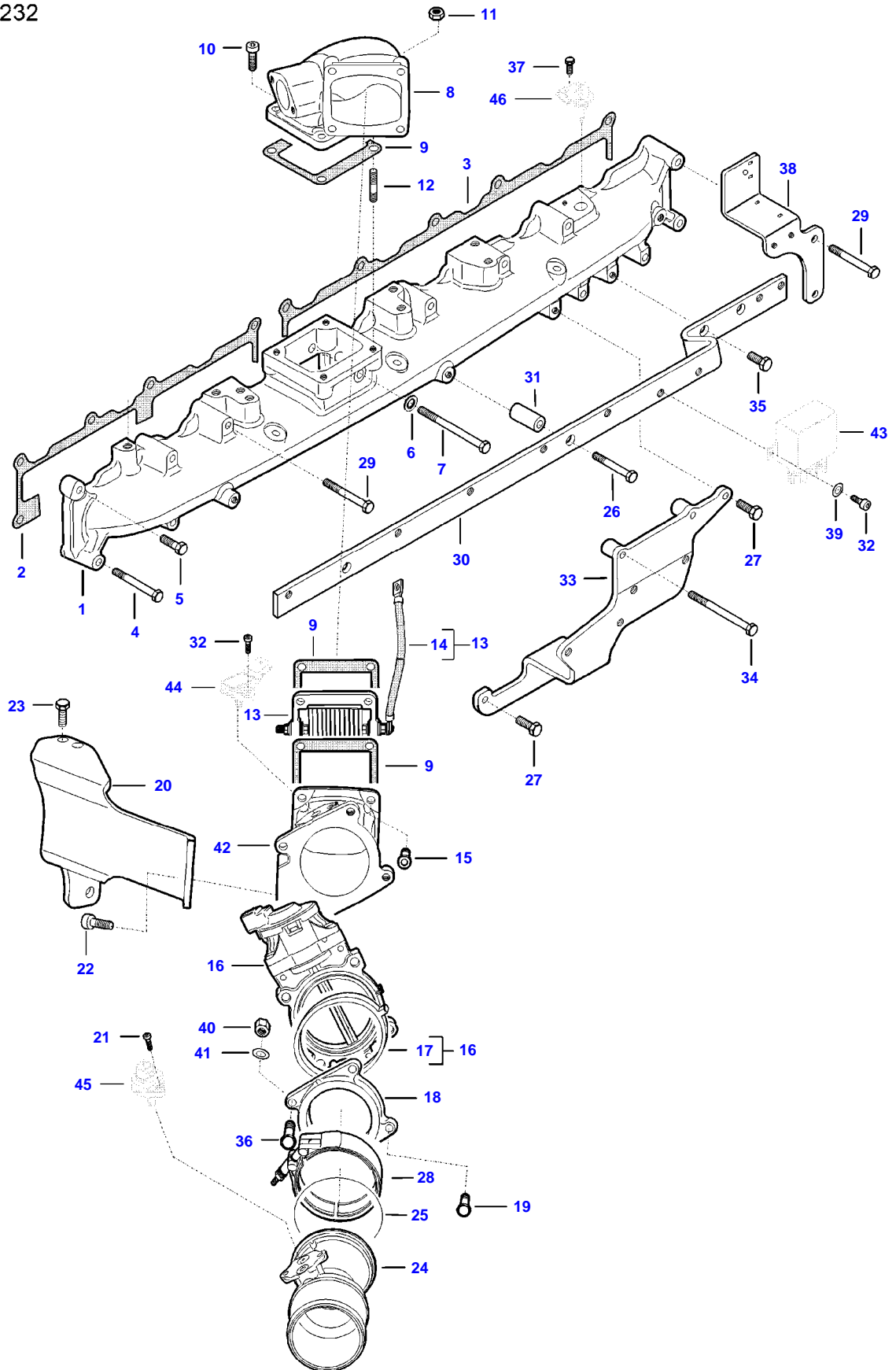
VALVE ROCKER COVER

Item	Part Number	Qty	Description Comments
1	V837084117	1	VALVE ROCKER COVER
2	V837067881	1	VALVE ROCKER COVER GASKET (1) [A][C]
3	V614704850	1	O-RING [A]
4	V836659968	1	OIL FILLER CAP
5	V540801780	5	HEXAGON FLANGE BOLT
6	V614901030	10	O-RING [A][C]
7	V540801910	5	HEXAGON FLANGE BOLT
8	V837084226	1	VALVE ROCKER COVER
9	V519600602	1	NUT (8)
10	V836667508	1	SEALING WASHER (8)
11	V837070442	1	BREATHER CAP (8)
12	V836667459	1	GASKET (8)
13	V837070443	1	BREATHER (8)
14	V528801172	1	HEX CAP SCREW (8)
15	V837070128	1	VALVE ROCKER COVER GASKET (8) [A][C]
16	V837084220	1	VALVE ROCKER COVER FRAME
17	V837067881	1	VALVE ROCKER COVER GASKET (16) [A]
18	V581804630	7	HEX SOCKET SCREW
19	V500950800	7	SPRING WASHER
20	V837084224	1	VALVE ROCKER COVER FRAME
21	V837070128	1	VALVE ROCKER COVER GASKET (20) [A]

[A] INCLUDED IN CYLINDER HEAD GASKET KIT 1
[C] INCLUDED IN VALVE ADJUSTING GASKET KIT 3

9490X (502000001-999 / 502400001-999 AL) COMBINE
AP7G1232

AP7G1232

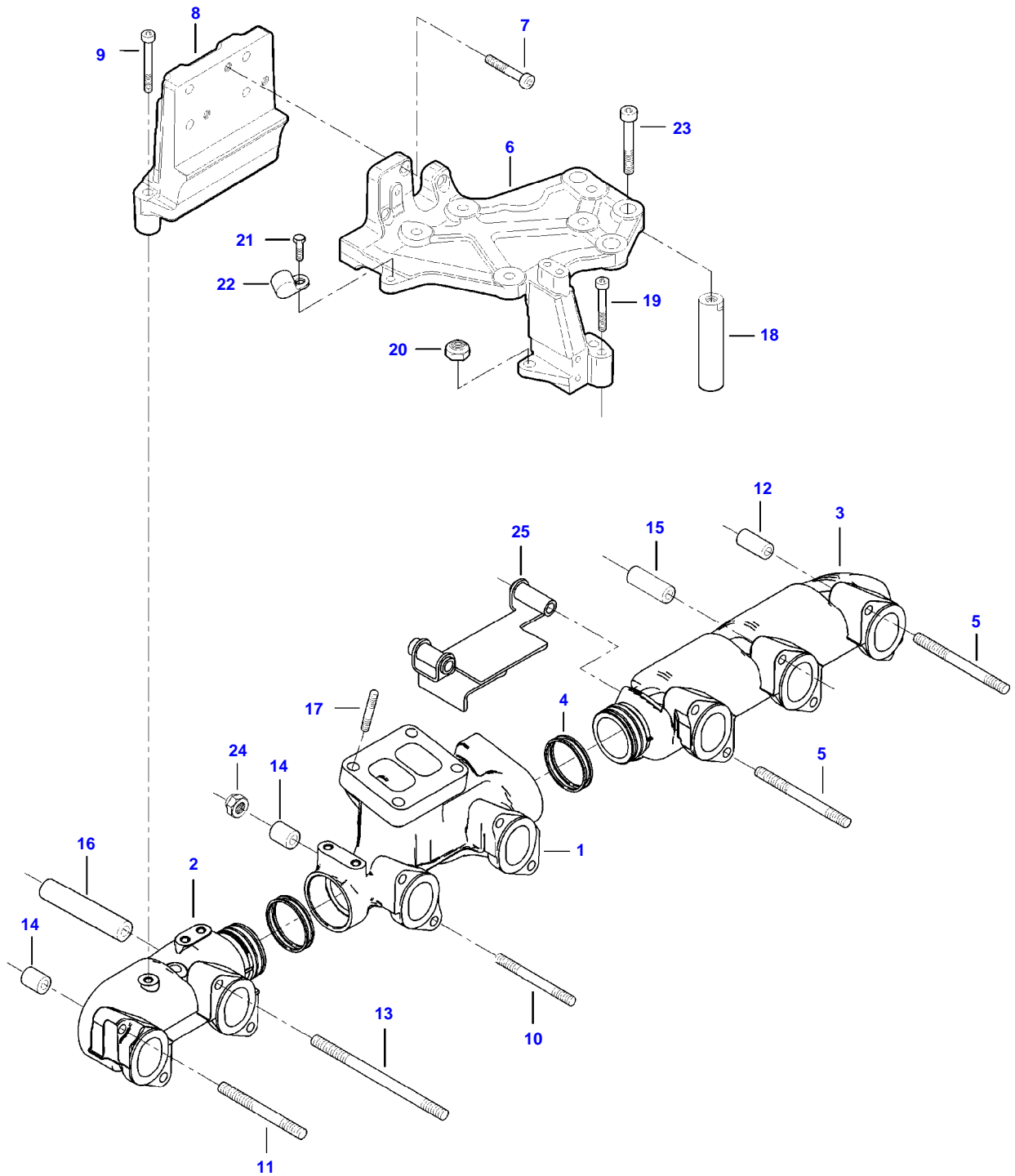


INTAKE MANIFOLD

Item	Part Number	Qty	Description Comments
1	V837084570	1	INTAKE MANIFOLD
2	V837069009	1	INTAKE MANIFOLD GASKET [A]
3	V837070364	1	INTAKE MANIFOLD GASKET [A]
4	V529801470	12	HEX CAP SCREW
5	V528801410	1	HEX CAP SCREW
6	V836015967	1	SEALING WASHER [A]
7	V529801540	1	HEX CAP SCREW
8	V837074847	1	AIR PIPE
9	V837067345	3	GASKET [A]
10	V581804620	2	HEX SOCKET SCREW
11	V504800800	2	NUT
12	V546801380	2	STUD BOLT
13	V837067295	1	INTAKE AIR PREHEATER
14	ACP0427330	1	GROUND WIRE (13)
15	V581804702	4	HEX SOCKET SCREW
16	V837084452	1	THROTTLE FLAP
17	V837079849	2	GASKET (16) [A]
18	V837084711	1	AIR PIPE
19	V540801490	3	HEXAGON FLANGE BOLT
20	V837084643	1	BRACKET
21	V581804202	2	HEX SOCKET SCREW
22	V581805000	2	HEX SOCKET SCREW
23	V528801382	4	HEX CAP SCREW
24	V837084709	1	BOOST PIPE
25	V614708625	1	O-RING [A]
26	V529801450	2	HEX CAP SCREW
27	V528801382	2	HEX CAP SCREW
28	V837074814	1	V CLAMP
29	V529801480	3	HEX CAP SCREW
30	V837074227	1	BRACKET
31	V836136876	2	SPACER PIECE
32	V581804182	3	HEX SOCKET SCREW
33	V837074226	1	BRACKET
34	V529801530	2	HEX CAP SCREW
35	V528801362	1	HEX CAP SCREW
36	V540801510	1	HEXAGON FLANGE BOLT
37	V528801042	1	HEX CAP SCREW
38	V837084048	1	BRACKET
39	V500050642	2	WASHER
40	V510600802	1	NUT
41	V500150842	1	WASHER
42	V837084349	1	AIR PIPE
43		1	SEE PAGE 01-0021
44		1	SEE PAGE 01-0021
45		1	SEE PAGE 01-0021
46		1	SEE PAGE 01-0021 [A] INCLUDED IN CYLINDER HEAD GASKET KIT 1

9490X (502000001-999 / 502400001-999 AL) COMBINE
AP8G1168

AP8G1168

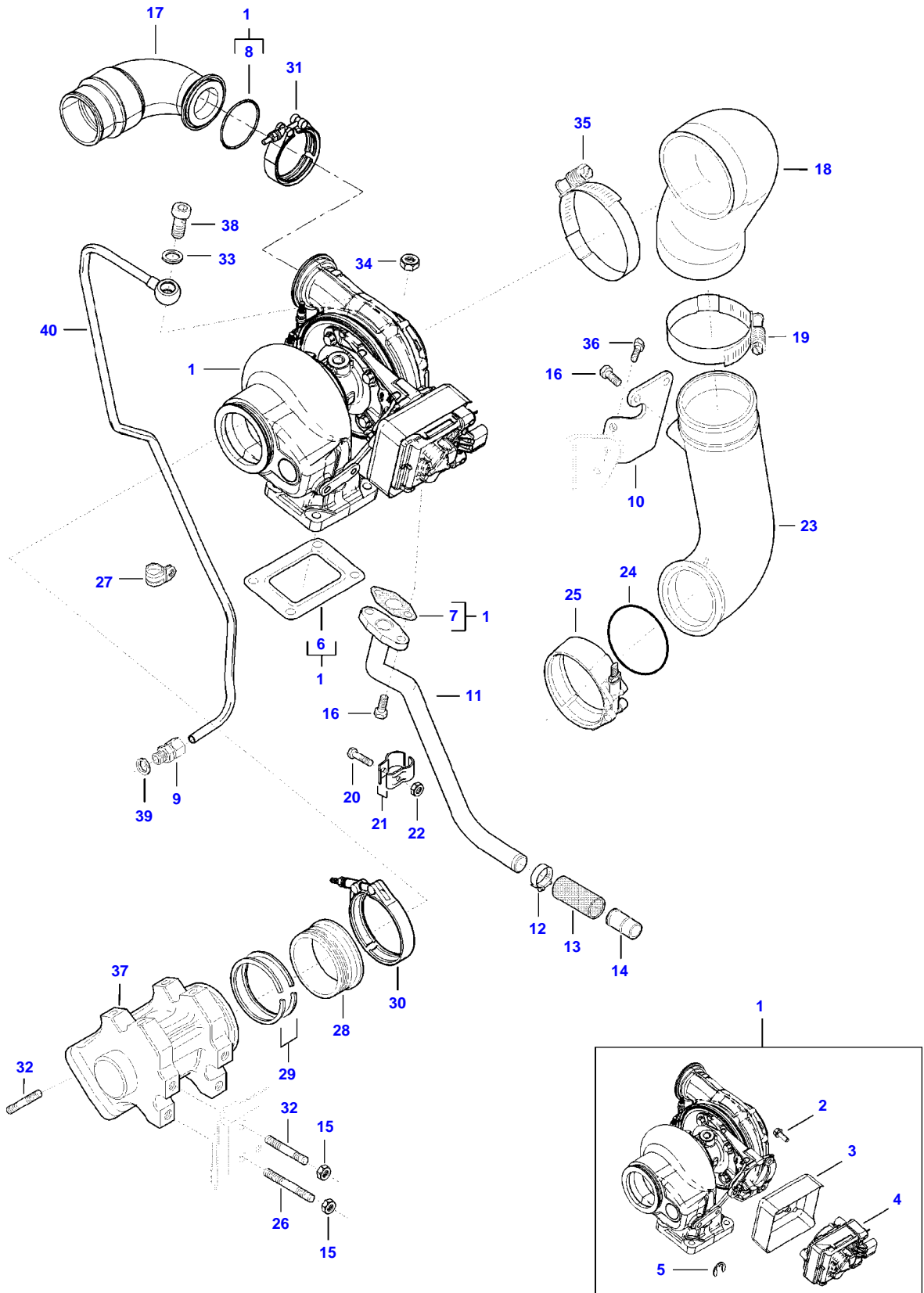


EXHAUST MANIFOLD

Item	Part Number	Qty	Description Comments
1	V837084814	1	EXHAUST MANIFOLD
2	V837084815	1	EXHAUST MANIFOLD
3	V837084816	1	EXHAUST MANIFOLD
4	V837073503	4	SEALING RING [A]
5	V836859188	8	STUD BOLT
6	V837084630	1	BRACKET
7	V581705050	3	HEX SOCKET SCREW
8	V837084631	1	BRACKET
9	V581705100	3	HEX SOCKET SCREW
10	V546701900	1	STUD BOLT
11	V546801930	2	STUD BOLT
12	V836664012	2	SPACER PIECE
13	V836667960	3	STUD BOLT
14	V835346219	3	SPACER PIECE
15	V836664013	4	SPACER PIECE
16	V837073494	3	SPACER PIECE
17	V546701830	4	STUD BOLT
18	V836867567	3	LIFTING EYE EXTENSION
19	V581705080	2	HEX SOCKET SCREW
20	V504601200	1	NUT
21	V528801362	1	HEX CAP SCREW
22	V602074635	1	HOSE CLIP
23	V581705514	3	HEX SOCKET SCREW
24	V513601002	14	NUT
25	V837084744	1	HEATSHIELD [A] INCLUDED IN CYLINDER HEAD GASKET KIT 1

9490X (502000001-999 / 502400001-999 AL) COMBINE
AP10G1225

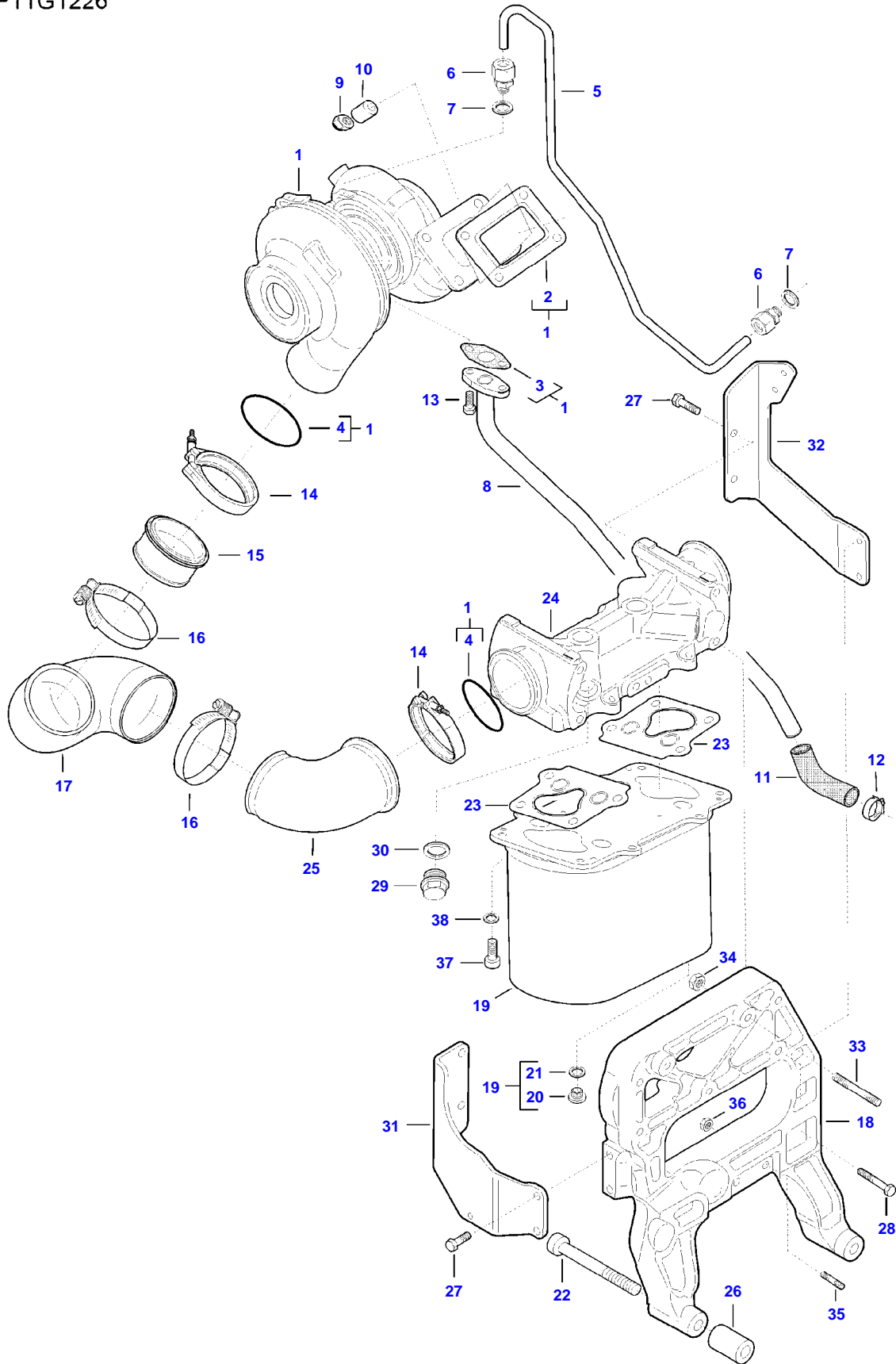
AP10G1225



Item	Part Number	Qty	Description Comments	Technical Specification
1	V837079844	1	KIT, TURBOCHARGR	
2	V837091127	3	HEXAGON FLANGE BOLT (1)	
3	V837091123	1	HEATSHIELD (1)	
4	V837091110	1	ACTUATOR (1)	
5	V837079945	1	LOCK RING (1) [C]	
6	V836840992	1	GASKET (1) [A]	
7	V836324580	1	GASKET (1) [A]	
8	V614606225	1	O-RING (1) [A]	
9	V641086008	1	STRAIGHT FITTING	
10	V837084730	1	BRACKET	
11	V837084639	1	TURBOCHARGER LUBRICATION OIL PIPE	
12	V602088532	2	HOSE CLIP	
13	V836873001	1	RUBBER HOSE	
14	V837084241	1	OIL PIPE	
15	V513601002	4	NUT	
16	V528801382	4	HEX CAP SCREW	
17	V836866381	1	BOOST PIPE	
18	V837074891	1	RUBBER ELBOW	
19	V602084783	1	HOSE CLIP	
20	V529801112	2	HEX CAP SCREW	
21	V836773645	4	PIPE CLAMP HALF	
22	V510600602	2	NUT	
23	V837084712	1	AIR PIPE	
24	V614707625	1	O-RING [A][C]	
25	V837074813	1	V CLAMP	
26	V546801860	2	STUD BOLT	
27	V602060608	1	RETAINER CLAMP	
28	V837084539	1	SLEEVE	
29	V837084540	2	SEALING RING [A]	
30	V837074811	1	V CLAMP	D96
31	V836866454	1	V CLAMP	
32	V546801840	6	STUD BOLT	
33	V615881420	2	SEALING WASHER [A]	
34	V521601000	4	NUT	
35	V602084795	1	HOSE CLIP	
36	V528801362	2	HEX CAP SCREW	
37	V837084541	1	FLANGE	
38	V837084079	1	BANJO BOLT	
39	V615881216	1	SEALING WASHER [A]	
40	V837084640	1	TURBOCHARGER LUBRICATION OIL PIPE [A] INCLUDED IN CYLINDER HEAD GASKET KIT 1 [C] INCLUDED IN VALVE ADJUSTING GASKET KIT 3	

9490X (502000001-999 / 502400001-999 AL) COMBINE
AP11G1226

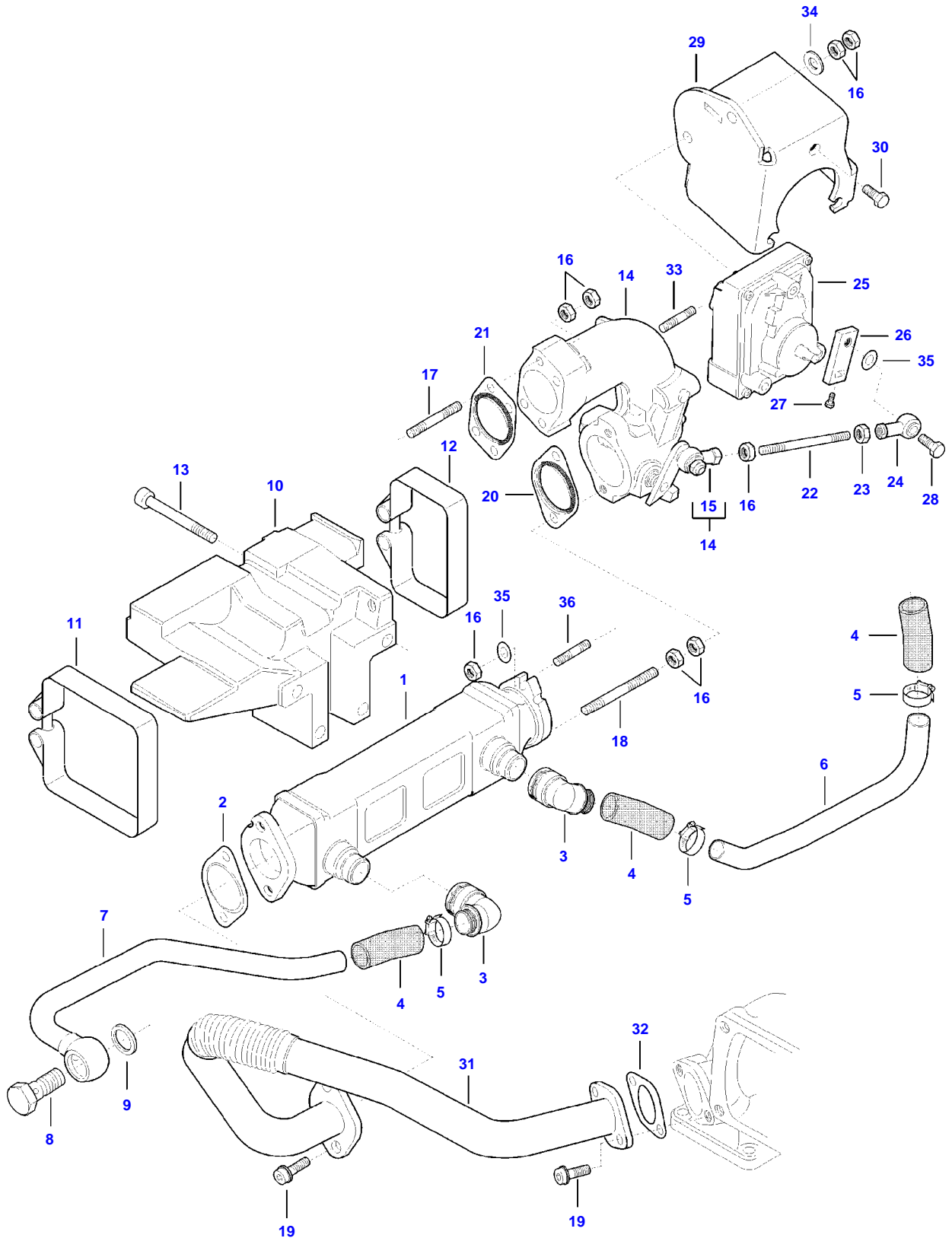
AP11G1226



Item	Part Number	Qty	Description Comments
1	V837079846	1	KIT, TURBOCHARGR
2	V836884072	1	GASKET (1) [A]
3	V836324580	1	GASKET (1) [A][C]
4	V614707625	2	O-RING (1) [A][C]
5	V837084057	1	TURBOCHARGER LUBRICATION OIL PIPE
6	V641086010	2	STRAIGHT FITTING
7	V615881420	2	SEALING WASHER [A]
8	V837084058	1	TURBOCHARGER LUBRICATION OIL PIPE
9	V513601002	4	NUT
10	V837070337	4	SPACER PIECE
11	V837084406	1	RUBBER ELBOW
12	V602088532	2	HOSE CLIP
13	V528801380	2	HEX CAP SCREW
14	V837074813	2	V CLAMP
15	V837084034	1	HOSE ADAPTER
16	V602084770	2	HOSE CLIP
17	V837084428	1	AIR PIPE
18	V837084458	1	BRACKET
19	V837084506	1	CHARGE AIR COOLER
20	V640305012	1	PLUG (19)
21	V615881216	2	SEALING WASHER INCLUDED IN GASKET KIT 1 (19)
22	V581705990	2	HEX SOCKET SCREW
23	V837084507	2	GASKET [A]
24	V837084477	1	HOUSING
25	V837084445	1	AIR PIPE
26	V836859130	2	SPACER PIECE
27	V528801402	8	HEX CAP SCREW
28	V529801480	5	HEX CAP SCREW
29	V640045126	4	PLUG
30	V615892631	4	SEALING WASHER [A]
31	V837084460	1	SUPPORT
32	V837084729	1	BRACKET
33	V546801900	2	STUD BOLT
34	V504801000	2	NUT
35	V546801410	2	STUD BOLT
36	V504800800	2	NUT
37	V581804622	8	HEX SOCKET SCREW
38	V500050842	8	WASHER [A] INCLUDED IN CYLINDER HEAD GASKET KIT 1 [C] INCLUDED IN VALVE ADJUSTING GASKET KIT 3

9490X (502000001-999 / 502400001-999 AL) COMBINE
AP12G1169

AP12G1169



Item	Part Number	Qty	Description Comments
1	V837074869	1	EGR COOLER
2	V837074972	1	GASKET [A][C]
3	V837074870	2	HOSE COUPLER
4	V837074915	3	RUBBER HOSE
5	V602084722	6	HOSE CLIP
6	V837084019	1	WATER PIPE
7	V837074499	1	WATER PIPE
8	V640435028	1	BANJO BOLT
9	V615893036	2	SEALING WASHER [A]
10	V837084348	1	BRACKET
11	V837084475	1	CLAMP
12	V837084476	1	CLAMP
13	V581705110	4	HEX SOCKET SCREW
14	V837074722	1	EGR VALVE
15	V837079691	1	UNION (14)
16	V504800800	16	NUT
17	V546701440	4	STUD BOLT
18	V546801500	1	STUD BOLT
19	V588704600	4	HEX SOCKET SCREW
20	V837084664	1	GASKET [A]
21	V837084663	1	GASKET [A]
22	V837074902	1	ROD
23	V504650800	1	NUT
24	V837073478	1	CONNECTOR
25	V837074614	1	ACTUATOR
26	V837073479	1	LEVER
27	V581804182	1	HEX SOCKET SCREW
28	V528801400	1	HEX CAP SCREW
29	V837074867	1	BRACKET
30	V528801362	3	HEX CAP SCREW
31	V837074541	1	PIPE
32	V837074977	1	GASKET [A][C]
33	V546801400	2	STUD BOLT
34	V836120989	2	WASHER
35	V500050842	2	WASHER
36	V546801380	1	STUD BOLT

[A] INCLUDED IN CYLINDER HEAD GASKET KIT 1

[C] INCLUDED IN VALVE ADJUSTING GASKET KIT 3

OIL PUMP AND SUMP

Item	Part Number	Qty	Description Comments
1	V836884837	1	OIL SUMP
2	V581804650	4	HEX SOCKET SCREW
3	V500950800	4	SPRING WASHER
4	V581705450	28	HEX SOCKET SCREW
5	V615881620	2	SEALING WASHER [B]
6	V836655492	1	PLUG
7	V615882227	1	SEALING WASHER [B]
8	V640045022	1	PLUG
9	V836867888	1	DIPSTICK
10	V836874208	1	OIL PUMP
11	V836338188	1	GASKET (10) [B]
12	V614702230	2	O-RING (10) [B]
13	V836007871		SHIM AS REQUIRED, REFER TO WORKSHOP MANUAL
14	V581705050	2	HEX SOCKET SCREW
15	V836008449	1	GASKET [B]
16	V581804600	5	HEX SOCKET SCREW
17	V837074139	1	OIL PIPE
18	V836338201	1	GASKET [B]
19	V837070490	1	OIL PUMP SUCTION PIPE
20	V500950800	1	SPRING WASHER
21	V581704620	1	HEX SOCKET SCREW
22	V836873029	1	OIL SUMP GASKET [B]
23	V528801362	1	HEX CAP SCREW
24	V837084454	1	OIL DIPSTICK GUIDE PIPE
25	V641086012	1	STRAIGHT FITTING
26	V615881622	1	SEALING WASHER [B]
27	V602060612	1	RETAINER CLAMP
28	V837074686	1	SUPPORT
29	V510600802	1	NUT

[B] INCLUDED IN COMPLETE ENGINE GASKET KIT 2

Thank you so much for reading.
Please click the “Buy Now!”
button below to download the
complete manual.



After you pay.

You can download the most
perfect and complete manual in
the world immediately.

Our support email:

ebooklibonline@outlook.com