

**TABLE OF CONTENT**

| <b>Page Number</b> | <b>Page Title</b>                   | <b>Page Reference</b> |
|--------------------|-------------------------------------|-----------------------|
| 01-000-TOC         | ENGINE V835077149 74 AWF            | 01-000-TOC            |
| 02-000-TOC         | ENGINE ACW3382980 74 AWF            | 02-000-TOC            |
| 03-000-TOC         | ENGINE INSTALLATION                 | 03-000-TOC            |
| 04-000-TOC         | DRIVE SYSTEM                        | 04-000-TOC            |
| 05-000-TOC         | AXLES                               | 05-000-TOC            |
| 06-000-TOC         | STEERING SYSTEM                     | 06-000-TOC            |
| 07-000-TOC         | DRIVE TRAIN SYSTEM                  | 07-000-TOC            |
| 08-000-TOC         | BRAKE SYSTEM                        | 08-000-TOC            |
| 09-000-TOC         | HYDRAULIC SYSTEM                    | 09-000-TOC            |
| 10-000-TOC         | ELECTRICAL SYSTEM                   | 10-000-TOC            |
| 11-000-TOC         | CAB                                 | 11-000-TOC            |
| 12-000-TOC         | AIR CONDITIONING AND HEATING SYSTEM | 12-000-TOC            |
| 13-000-TOC         | CHASSIS                             | 13-000-TOC            |
| 14-000-TOC         | DECALS                              | 14-000-TOC            |
| 15-000-TOC         | WHEELS                              | 15-000-TOC            |
| 16-000-TOC         | FEEDING SYSTEM                      | 16-000-TOC            |
| 17-000-TOC         | THRESHING SYSTEM                    | 17-000-TOC            |
| 18-000-TOC         | CLEANING SYSTEM                     | 18-000-TOC            |
| 19-000-TOC         | GRAIN BIN AND ELEVATOR SYSTEM       | 19-000-TOC            |
| 20-000-TOC         | DISCHARGE SYSTEM                    | 20-000-TOC            |
| 21-000-TOC         | ACCESSORIES                         | 21-000-TOC            |

| Page Number | Page Title   | Page Reference |
|-------------|--|----------------|
| 01-0001     | ENGINE ASSEMBLIES  | 1MDL1724817    |
| 01-0002     | CYLINDER BLOCK   | 1MDL2302337    |
| 01-0003     | TIMING GEARS AND HOUSING   | 1MDL2302338    |
| 01-0004     | FLYWHEEL AND HOUSING   | 1MDL2302339    |
| 01-0005     | CRANKSHAFT AND PISTONS - UP TO ENGINE SERIAL NUMBER B69999                     | 1MDL2302340    |
| 01-0006     | CRANKSHAFT AND PISTONS - STARTING FROM ENGINE SERIAL NUMBER C50000/JLD291001   | 1MDL2302341    |
| 01-0007     | CAMSHAFT AND VALVE MECHANISM   | 1MDL2302342    |
| 01-0008     | CYLINDER HEAD  | 1MDL2302343    |
| 01-0009     | VALVE ROCKER COVER - UP TO ENGINE SERIAL NUMBER B65418                         | 1MDL2302344    |
| 01-0010     | VALVE ROCKER COVER - STARTING FROM ENGINE SERIAL NUMBER B65367                 | 1MDL2302345    |
| 01-0011     | INTAKE MANIFOLD  | 1MDL2302347    |
| 01-0012     | TURBOCHARGER AND EXHAUST MANIFOLD  | 1MDL2302348    |
| 01-0013     | OIL PUMP AND SUMP - UP TO ENGINE SERIAL NUMBER A77999                          | 1MDL2328004    |
| 01-0014     | OIL PUMP AND SUMP - STARTING FROM ENGINE SERIAL NUMBER B50000/JLD291001        | 1MDL2328005    |
| 01-0015     | OIL COOLER AND FILTER  | 1MDL1725562    |
| 01-0016     | CLOSED CRANKCASE VENTILATION (CCV) - UP TO ENGINE SERIAL NUMBER D51660         | 1MDL2302349    |
| 01-0017     | CLOSED CRANKCASE VENTILATION (CCV) - STARTING FROM ENGINE SERIAL NUMBER D51661 | 1MDL2302350    |
| 01-0018     | COOLANT PUMP AND THERMOSTAT  | 1MDL2302351    |
| 01-0019     | FUEL INJECTION SYSTEM  | 1MDL2302352    |
| 01-0020     | FUEL FILTERS - UP TO ENGINE SERIAL NUMBER A77999                               | 1MDL2302353    |
| 01-0021     | FUEL FILTERS - ENGINE SERIAL NUMBER RANGE B50000-C71172                        | 1MDL2302354    |
| 01-0022     | FUEL FILTERS - STARTING FROM ENGINE SERIAL NUMBER C71113/JLD291001             | 1MDL2302355    |
| 01-0023     | ELECTRONIC ENGINE MANAGEMENT   | 1MDL2302356    |
| 01-0024     | ALTERNATOR   | 1MDL1725939    |
| 01-0025     | STARTER MOTOR  | 1MDL2302357    |
| 01-0026     | FAN DRIVE  | 1MDL2302358    |
| 01-0027     | EXHAUST AFTERTREATMENT   | 1MDL2302359    |
| 01-0028     | ENGINE OVERHAUL PARTS  | 1MDL2302361    |
| 01-0029     | SPECIAL OVERHAUL PARTS   | 1MDL1725948    |

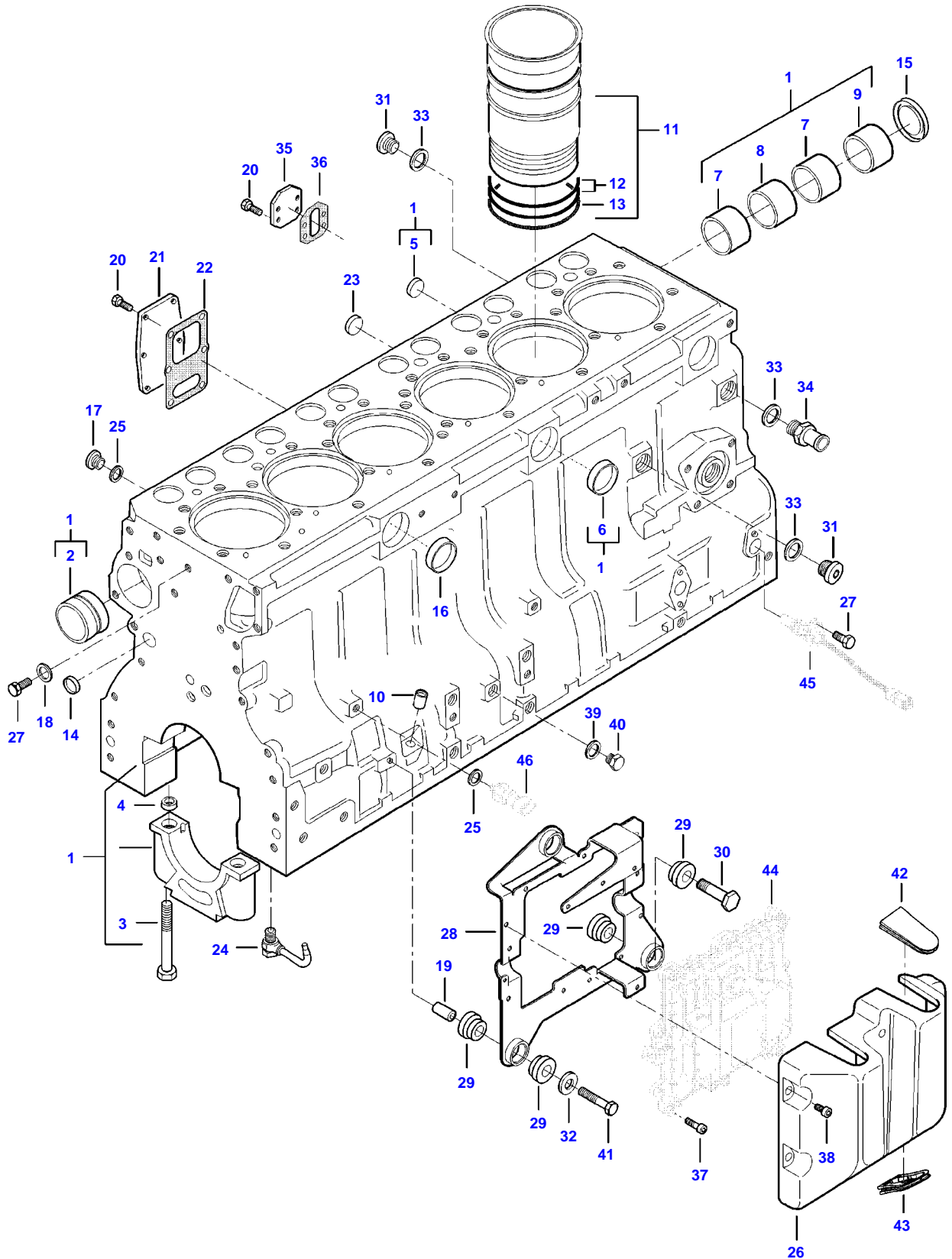


**ENGINE ASSEMBLIES**

| <b>Item</b> | <b>Part Number</b> | <b>Qty</b> | <b>Description<br/>Comments</b> | <b>Technical Specification</b> |
|-------------|--------------------|------------|---------------------------------|--------------------------------|
| 1           | V835077149         | 1          | ENGINE                          | 74 AWF                         |
| 2           | V865091801V        | 1          | LONG BLOCK ENGINE               | 74 AWF                         |
| 3           | V865091610X        | 1          | SHORT BLOCK ENGINE              | 74 AWF/CW3                     |
| 4           | V837079921         | 1          | LABEL<br>ENGINE TYPE PLATE      |                                |

5255L PL COMBINE (STAGE 4 / TIER 4F) (ZN205554X03000001-9999)  
AP1E2620

AP1E2620



## CYLINDER BLOCK

| Item | Part Number | Qty | Description<br>Comments              |
|------|-------------|-----|--------------------------------------|
| 1    | V837084169  | 1   | CYLINDER BLOCK                       |
| 2    | V836866069  | 1   | CAMSHAFT BEARING BUSH<br>(1)         |
| 3    | V835329030  | 14  | HEX CAP SCREW<br>(1)                 |
| 4    | V836214478  | 24  | GUIDE SLEEVE<br>(1)                  |
| 5    | V640016018  | 1   | CUP PLUG<br>(1)                      |
| 6    | V640016040  | 1   | CUP PLUG<br>(1)                      |
| 7    | V836852460  | 2   | CAMSHAFT BEARING BUSH<br>(1)         |
| 8    | V837086315  | 1   | CAMSHAFT BEARING BUSH<br>(1)         |
| 9    | V836852461  | 1   | CAMSHAFT BEARING BUSH<br>(1)         |
| 10   | V640016012  | 1   | CUP PLUG                             |
| 11   | V836673191  | 6   | LINER                                |
| 12   | V836647502  | 12  | CYLINDER LINER O-RING<br>(11)<br>[B] |
| 13   | V836647503  | 6   | CYLINDER LINER O-RING<br>(11)<br>[B] |
| 14   | V640016016  | 4   | CUP PLUG                             |
| 15   | V836852744  | 1   | PLUG                                 |
| 16   | V640016040  | 2   | CUP PLUG                             |
| 17   | V640325110  | 6   | SCREW PLUG                           |
| 18   | V836015967  | 1   | SEALING WASHER<br>[B]                |
| 19   | V836855626  | 2   | SPACER                               |
| 20   | V528801382  | 10  | HEX CAP SCREW                        |
| 21   | V836846444  | 1   | COVER                                |
| 22   | V836322852  | 1   | GASKET<br>[B]                        |
| 23   | V640016018  | 1   | CUP PLUG                             |
| 24   | V837074224  | 6   | PISTON COOLING JET                   |
| 25   | V615871016  | 7   | SEALING WASHER<br>[B]                |
| 26   | V837084080  | 1   | COVER                                |
| 27   | V528801362  | 2   | HEX CAP SCREW                        |
| 28   | V837084081  | 1   | ECU BRACKET                          |
| 29   | V837084129  | 6   | DAMPER                               |
| 30   | V837069056  | 1   | HEX CAP SCREW                        |
| 31   | V640325018  | 2   | PLUG                                 |
| 32   | V501950842  | 2   | WASHER                               |
| 33   | V615881822  | 3   | SEALING WASHER<br>[B]                |
| 34   | V836119837  | 1   | HOSE COUPLER                         |
| 35   | V836866957  | 1   | COVER                                |
| 36   | V836866958  | 1   | GASKET<br>[B]                        |
| 37   | V581804222  | 8   | HEX SOCKET SCREW                     |
| 38   | V581804182  | 6   | HEX SOCKET SCREW                     |
| 39   | V615881216  | 1   | SEALING WASHER<br>[B]                |
| 40   | V640045112  | 1   | PLUG                                 |
| 41   | V529801432  | 2   | HEX CAP SCREW                        |
| 42   | V837084136  | 2   | SHIELD                               |
| 43   | V837084661  | 1   | SHIELD                               |
| 44   |             | 1   | SEE PAGE 01-0023                     |
| 45   |             | 1   | SEE PAGE 01-0023                     |

---

Fendt

---

5255L PL COMBINE (STAGE 4 / TIER 4F) (ZN205554X03000001-9999)

6246440

---

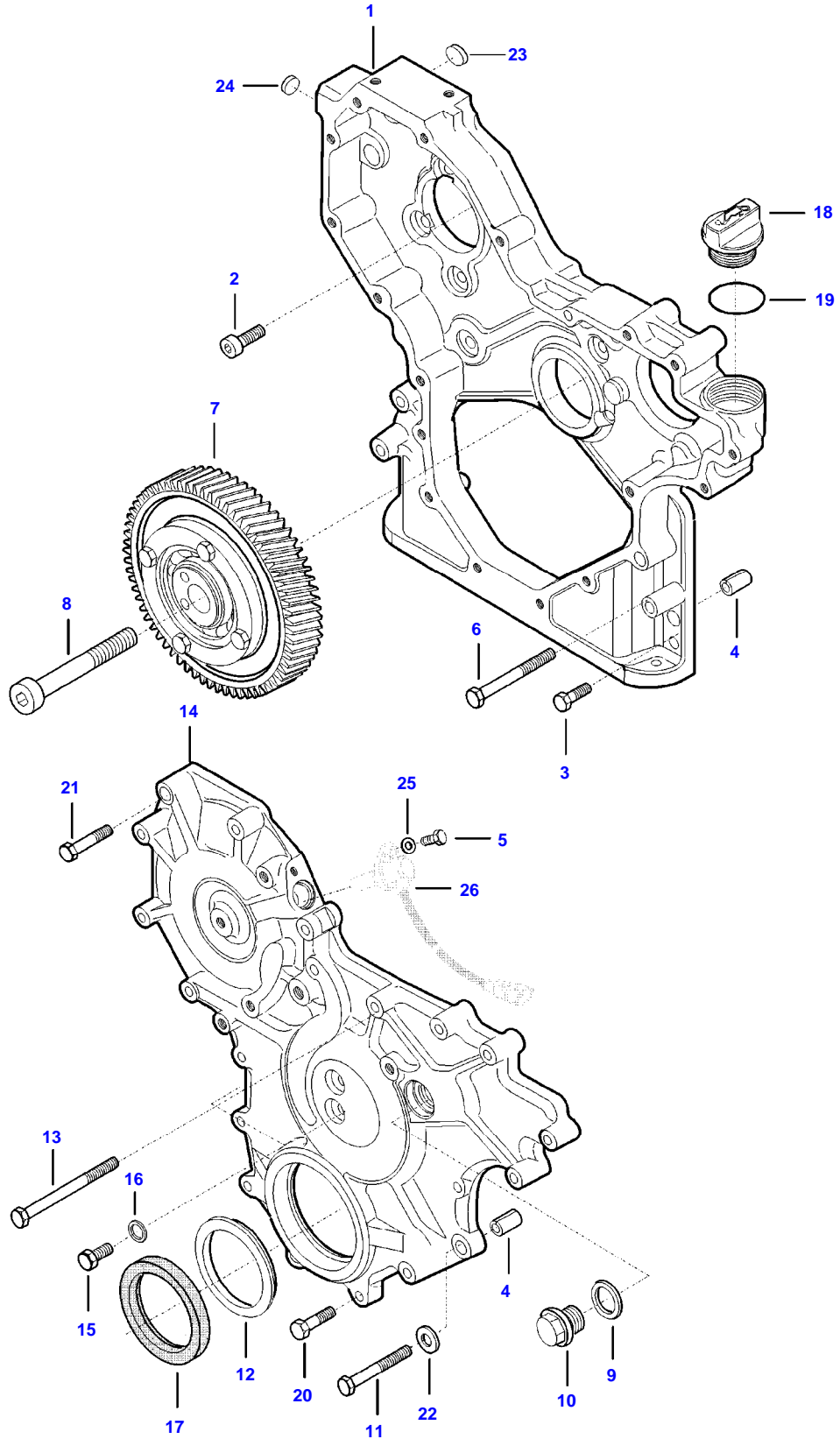
CYLINDER BLOCK

Page01-0002

| Item | Part Number | Qty | Description<br>Comments  |
|------|-------------|-----|--|
| 46   |             | 1   | SEE PAGE 01-0023<br>[B] INCLUDED IN COMPLETE ENGINE GASKET KIT 2 |

5255L PL COMBINE (STAGE 4 / TIER 4F) (ZN205554X03000001-9999)  
AP2D1025

AP2D1025





## TIMING GEARS AND HOUSING

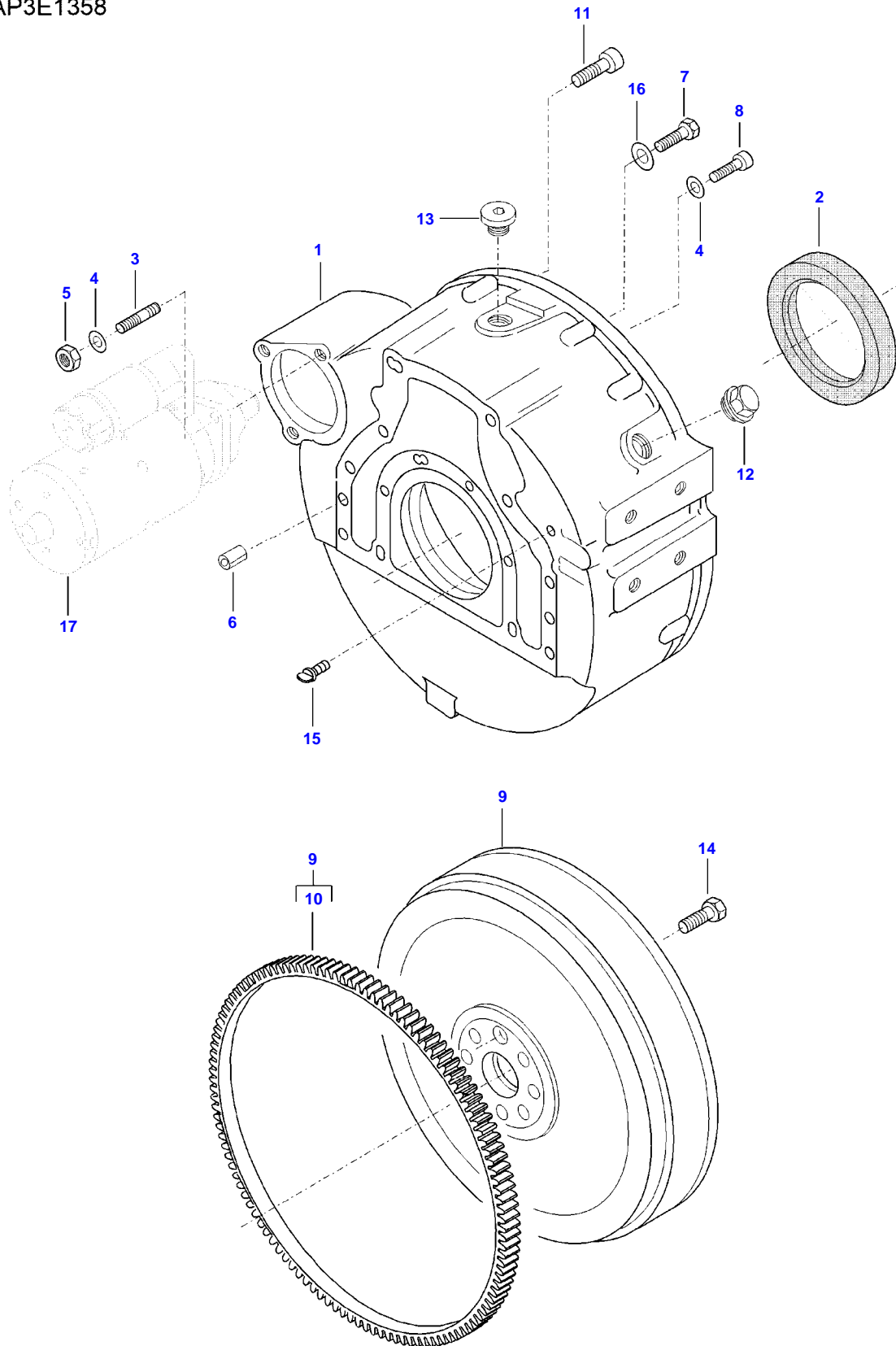
| Item | Part Number | Qty | Description<br>Comments  |
|------|-------------|-----|--------------------------|
| 1    | V837074705  | 1   | TIMING GEAR CASE         |
| 2    | V581804602  | 10  | HEX SOCKET SCREW         |
| 3    | V528801402  | 2   | HEX CAP SCREW            |
| 4    | V598359850  | 3   | PIN                      |
| 5    | V528801062  | 1   | HEX CAP SCREW            |
| 6    | V529801472  | 3   | HEX CAP SCREW            |
| 7    | V837073583  | 1   | IDLER GEAR               |
| 8    | V581705910  | 1   | HEX SOCKET SCREW         |
| 9    | V615882227  | 1   | SEALING WASHER<br>[B]    |
| 10   | V640045022  | 1   | PLUG                     |
| 11   | V529801522  | 1   | HEX CAP SCREW            |
| 12   | V836855636  | 1   | SHIELD                   |
| 13   | V529801542  | 1   | HEX CAP SCREW            |
| 14   | V837074707  | 1   | GEAR HOUSING FRONT COVER |
| 15   | V528801382  | 2   | HEX CAP SCREW            |
| 16   | V615870814  | 2   | SEALING WASHER<br>[B]    |
| 17   | V836840883  | 1   | CRANKSHAFT SEAL<br>[B]   |
| 18   | V837081106  | 1   | OIL FILLER CAP           |
| 19   | V614603540  | 1   | O-RING<br>[B]            |
| 20   | V528801412  | 7   | HEX CAP SCREW            |
| 21   | V529801442  | 10  | HEX CAP SCREW            |
| 22   | V836120989  | 1   | WASHER                   |
| 23   | V640016020  | 1   | CUP PLUG                 |
| 24   | V640016016  | 1   | CUP PLUG                 |
| 25   | V500150642  | 1   | WASHER                   |
| 26   |             | 1   |                          |

SEE PAGE 01-0023

**[B] INCLUDED IN COMPLETE ENGINE GASKET KIT 2**

5255L PL COMBINE (STAGE 4 / TIER 4F) (ZN205554X03000001-9999)  
AP3E1358

AP3E1358



## FLYWHEEL AND HOUSING

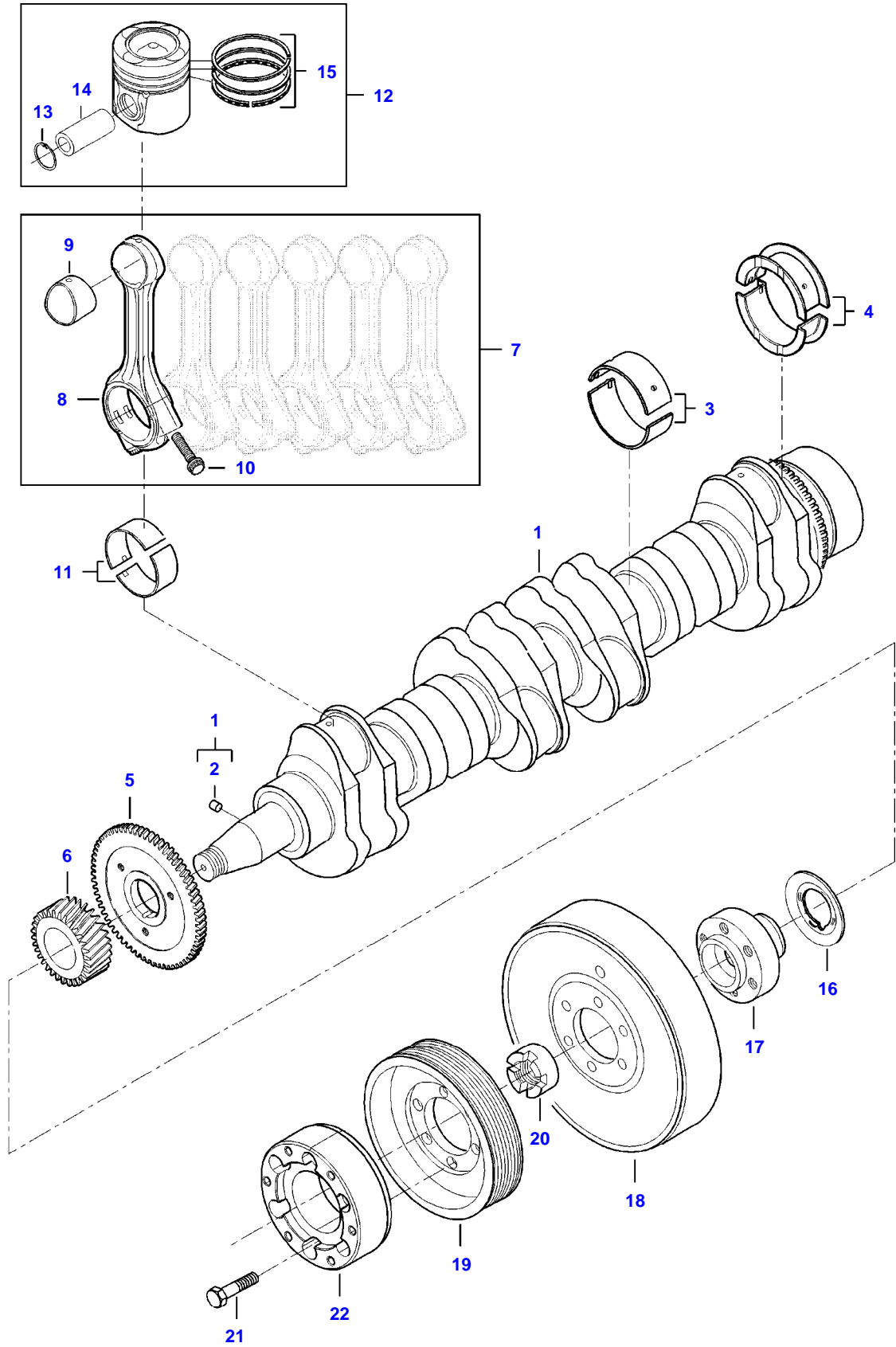
| Item | Part Number | Qty | Description<br>Comments |
|------|-------------|-----|-------------------------|
| 1    | V836647440  | 1   | FLYWHEEL HOUSING        |
| 2    | V837091172  | 1   | CRANKSHAFT SEAL<br>[B]  |
| 3    | V546801810  | 3   | STUD BOLT               |
| 4    | V500951002  | 6   | SPRING WASHER           |
| 5    | V504601002  | 3   | NUT                     |
| 6    | V598359850  | 2   | PIN                     |
| 7    | V528702220  | 6   | HEX CAP SCREW           |
| 8    | V581705030  | 6   | HEX SOCKET SCREW        |
| 9    | V836655066  | 1   | FLYWHEEL                |
| 10   | V836117970  | 1   | STARTER RING<br>(9)     |
| 11   | V581705440  | 2   | HEX SOCKET SCREW        |
| 12   | V640045126  | 1   | PLUG                    |
| 13   | V640325018  | 1   | PLUG                    |
| 14   | V528702230  | 8   | HEX CAP SCREW           |
| 15   | V836859311  | 1   | PLUG                    |
| 16   | V500951202  | 6   | SPRING WASHER           |
| 17   |             | 1   |                         |

SEE PAGE 01-0025

[B] INCLUDED IN COMPLETE ENGINE GASKET KIT 2

5255L PL COMBINE (STAGE 4 / TIER 4F) (ZN205554X03000001-9999)  
AP4F1882

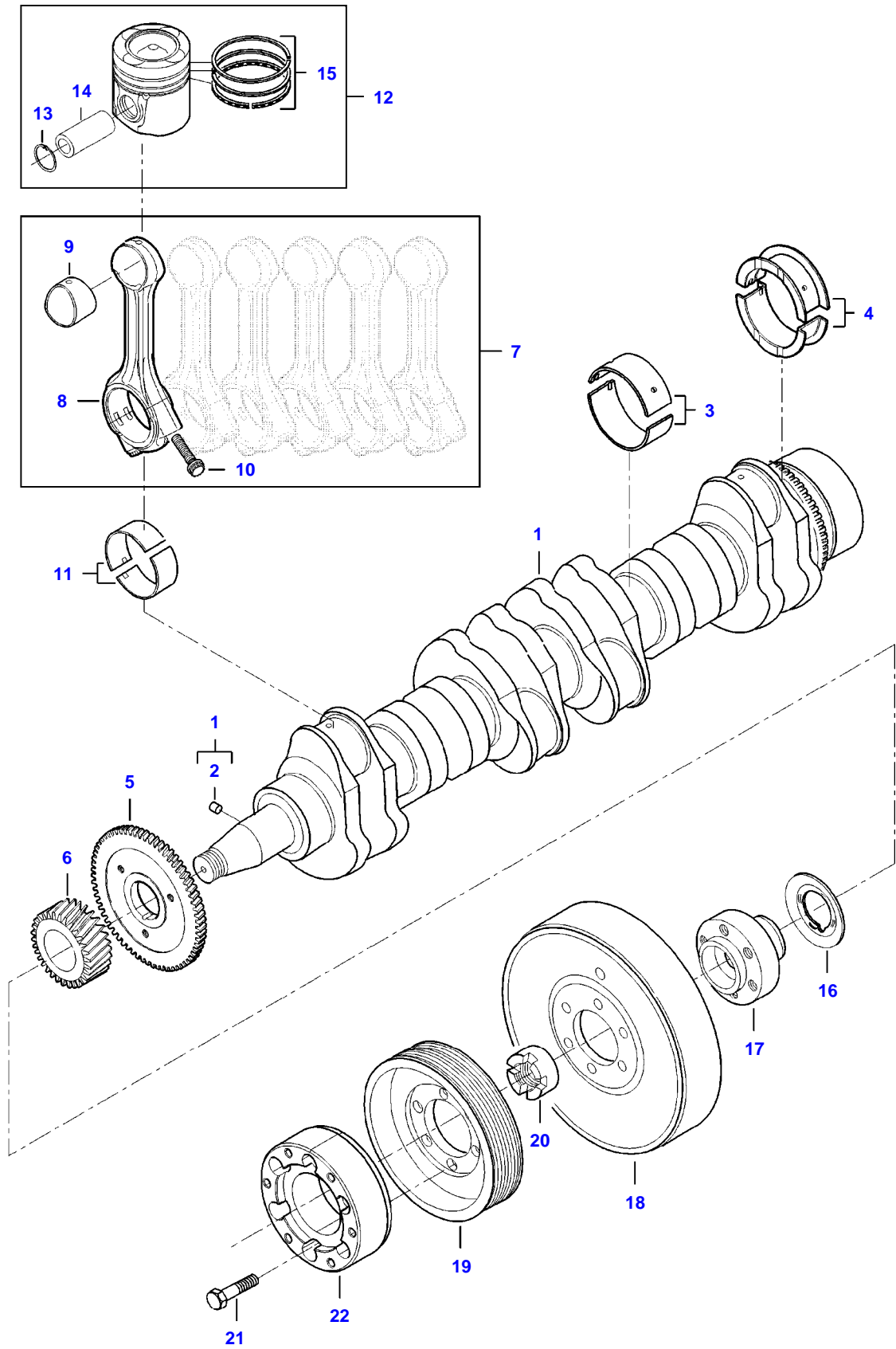
AP4F1882



| Item | Part Number | Qty | Description<br>Comments              | Technical Specification |
|------|-------------|-----|--------------------------------------|-------------------------|
| 1    | V837073985  | 1   | CRANKSHAFT                           |                         |
| 2    | V836867857  | 1   | KEY<br>(1)                           |                         |
| 3    | V836840944  | 6   | MAIN BEARING                         | STD                     |
| 4    | V836879152  | 1   | MAIN BEARING                         | STD                     |
| 5    | V836674069  | 1   | GEAR,CRANKSHAFT                      |                         |
| 6    | V837073560  | 1   | GEAR,CRANKSHAFT                      |                         |
| 7    | V836840928  | 1   | CONNECTING ROD KIT                   |                         |
| 8    |             | 6   | NOT AVAILABLE AS SINGLE PART<br>(7)  |                         |
| 9    | V836110646  | 6   | BEARING BUSH<br>(7),(8)              | STD                     |
| 10   | V836864141  | 12  | CONNECTING ROD BOLT<br>(7),(8)       |                         |
| 11   | V836179781  | 6   | CONROD BEARING                       | STD                     |
| 12   | V837074082  | 6   | PISTON                               |                         |
| 13   |             | 12  | NOT AVAILABLE AS SINGLE PART<br>(12) |                         |
| 14   |             | 6   | NOT AVAILABLE AS SINGLE PART<br>(12) |                         |
| 15   | V837079460  | 6   | PISTON RING KIT<br>(12)              |                         |
| 16   | V836855637  | 1   | RING                                 |                         |
| 17   | V837073679  | 1   | CRANKSHAFT HUB                       |                         |
| 18   | V836884615  | 1   | CRANKSHAFT VIBRATION DAMPENER        |                         |
| 19   | V836855690  | 1   | CRANKSHAFT PULLEY                    |                         |
| 20   | V836847641  | 1   | CRANKSHAFT NUT                       |                         |
| 21   | V581705490  | 6   | HEX SOCKET SCREW                     |                         |
| 22   | V837070345  | 1   | SPACER                               |                         |

5255L PL COMBINE (STAGE 4 / TIER 4F) (ZN205554X03000001-9999)  
AP4F1882

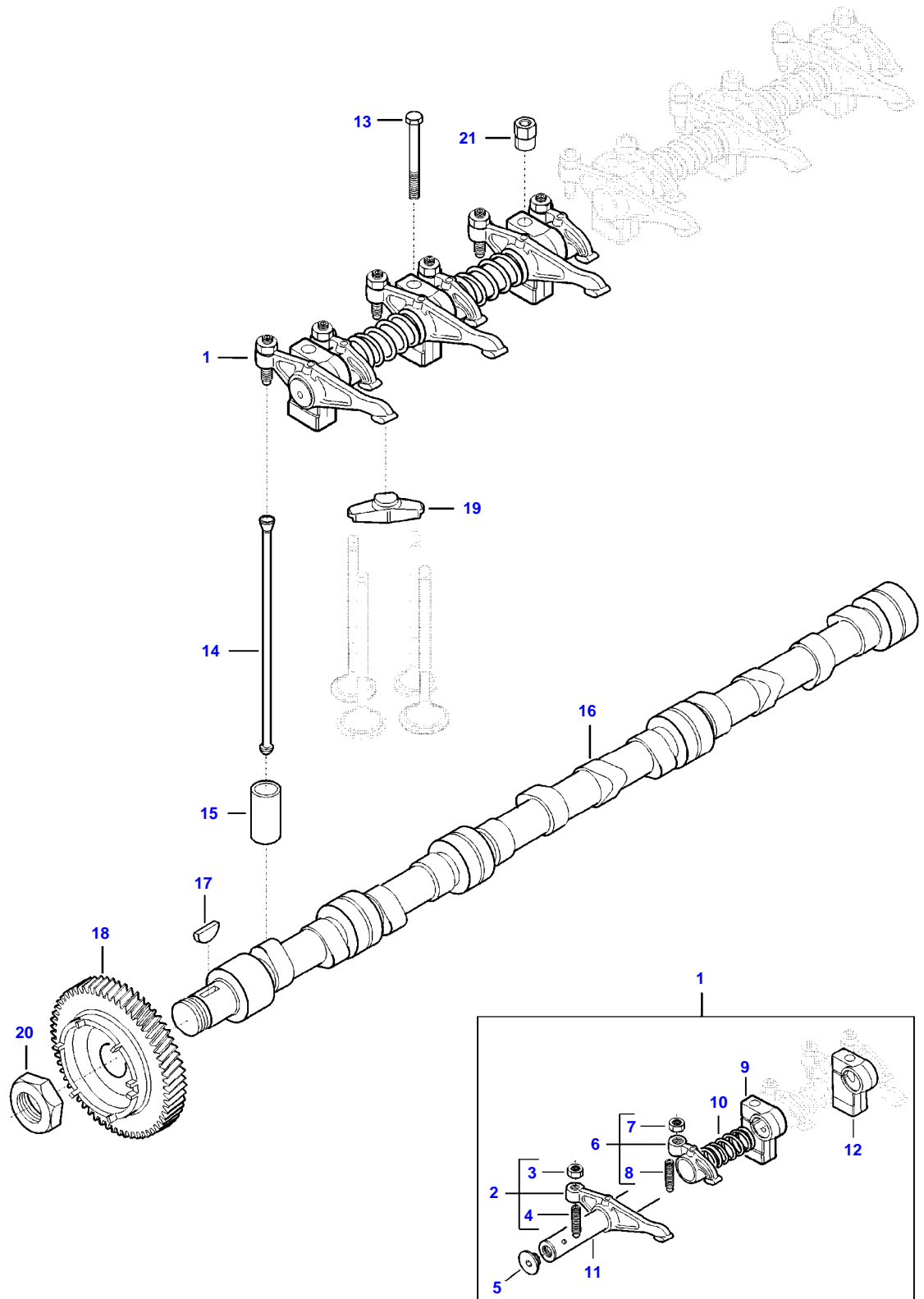
AP4F1882



| Item | Part Number | Qty | Description<br>Comments              | Technical Specification |
|------|-------------|-----|--------------------------------------|-------------------------|
| 1    | V837073985  | 1   | CRANKSHAFT                           |                         |
| 2    | V836867857  | 1   | KEY<br>(1)                           |                         |
| 3    | V836840944  | 6   | MAIN BEARING                         | STD                     |
| 4    | V836879152  | 1   | MAIN BEARING                         | STD                     |
| 5    | V836674069  | 1   | GEAR,CRANKSHAFT                      |                         |
| 6    | V837073560  | 1   | GEAR,CRANKSHAFT                      |                         |
| 7    | V836840928  | 1   | CONNECTING ROD KIT                   |                         |
| 8    |             | 6   | NOT AVAILABLE AS SINGLE PART<br>(7)  |                         |
| 9    | V836110646  | 6   | BEARING BUSH<br>(7),(8)              | STD                     |
| 10   | V836864141  | 12  | CONNECTING ROD BOLT<br>(7),(8)       |                         |
| 11   | V836179781  | 6   | CONROD BEARING                       | STD                     |
| 12   | V837086209  | 6   | PISTON                               |                         |
| 13   |             | 12  | NOT AVAILABLE AS SINGLE PART<br>(12) |                         |
| 14   |             | 6   | NOT AVAILABLE AS SINGLE PART<br>(12) |                         |
| 15   | V837079460  | 6   | PISTON RING KIT<br>(12)              |                         |
| 16   | ACW3520650  | 1   | RING                                 |                         |
| 17   | V837073679  | 1   | CRANKSHAFT HUB                       |                         |
| 18   | V836884615  | 1   | CRANKSHAFT VIBRATION DAMPENER        |                         |
| 19   | V836855690  | 1   | CRANKSHAFT PULLEY                    |                         |
| 20   | V836847641  | 1   | CRANKSHAFT NUT                       |                         |
| 21   | V581705490  | 6   | HEX SOCKET SCREW                     |                         |
| 22   | V837070345  | 1   | SPACER                               |                         |

5255L PL COMBINE (STAGE 4 / TIER 4F) (ZN205554X03000001-9999)  
AP5E1940

AP5E1940



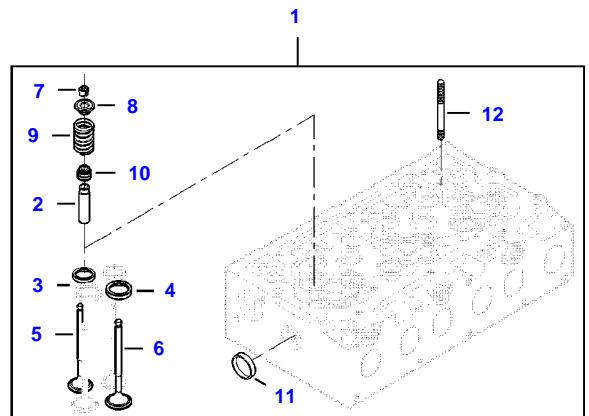
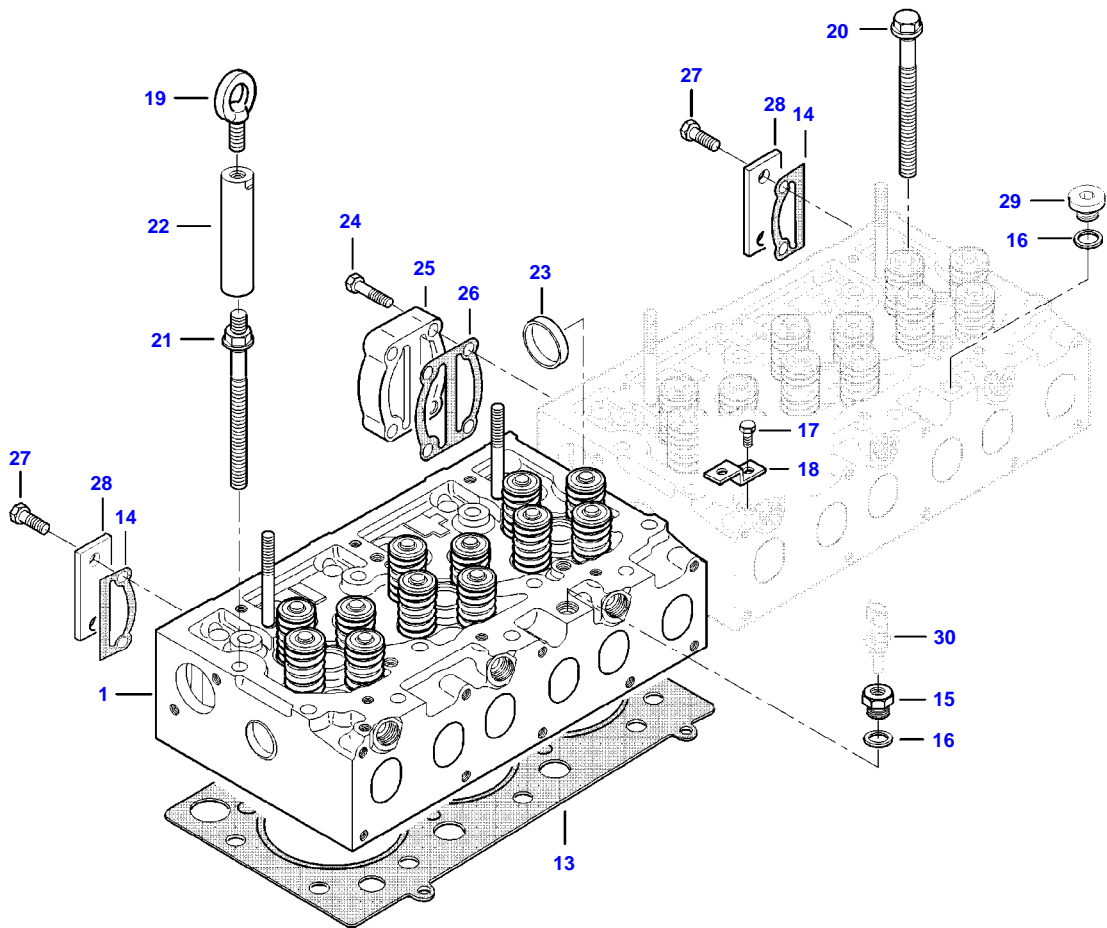


## CAMSHAFT AND VALVE MECHANISM

| Item | Part Number | Qty | Description<br>Comments                  |
|------|-------------|-----|--|
| 1    | V837069016  | 2   | ROCKER SHAFT ASM                         |
| 2    | V837069011  | 6   | ROCKER ARM<br>(1)                        |
| 3    | V512861000  | 6   | NUT<br>(1),(2)                           |
| 4    | V837069023  | 6   | VALVE ROCKER ADJUSTMENT SCREW<br>(1),(2) |
| 5    | V837069020  | 4   | PLUG<br>(1)                              |
| 6    | V837069013  | 6   | ROCKER ARM<br>(1)                        |
| 7    | V512861000  | 6   | NUT<br>(1),(6)                           |
| 8    | V837069023  | 6   | VALVE ROCKER ADJUSTMENT SCREW<br>(1),(6) |
| 9    | V837069018  | 2   | ROCKER SHAFT BRACKET<br>(1)              |
| 10   | V837069019  | 4   | SPRING<br>(1)                            |
| 11   | V837069015  | 2   | SHAFT<br>(1)                             |
| 12   | V837069017  | 4   | ROCKER SHAFT BRACKET<br>(1)              |
| 13   | V529801912  | 2   | HEX CAP SCREW                            |
| 14   | V837084417  | 12  | PUSH ROD                                 |
| 15   | V836014264  | 12  | TAPPET                                   |
| 16   | V837069101  | 1   | CAMSHAFT                                 |
| 17   | V603305760  | 1   | WOODRUFF KEY                             |
| 18   | V837073562  | 1   | GEAR,CAMSHAFT                            |
| 19   | V837073089  | 12  | VALVE BRIDGE                             |
| 20   | V837069085  | 1   | NUT                                      |
| 21   | V836655406  | 4   | SLEEVE NUT                               |

5255L PL COMBINE (STAGE 4 / TIER 4F) (ZN205554X03000001-9999)  
AP6F2123

AP6F2123



## CYLINDER HEAD

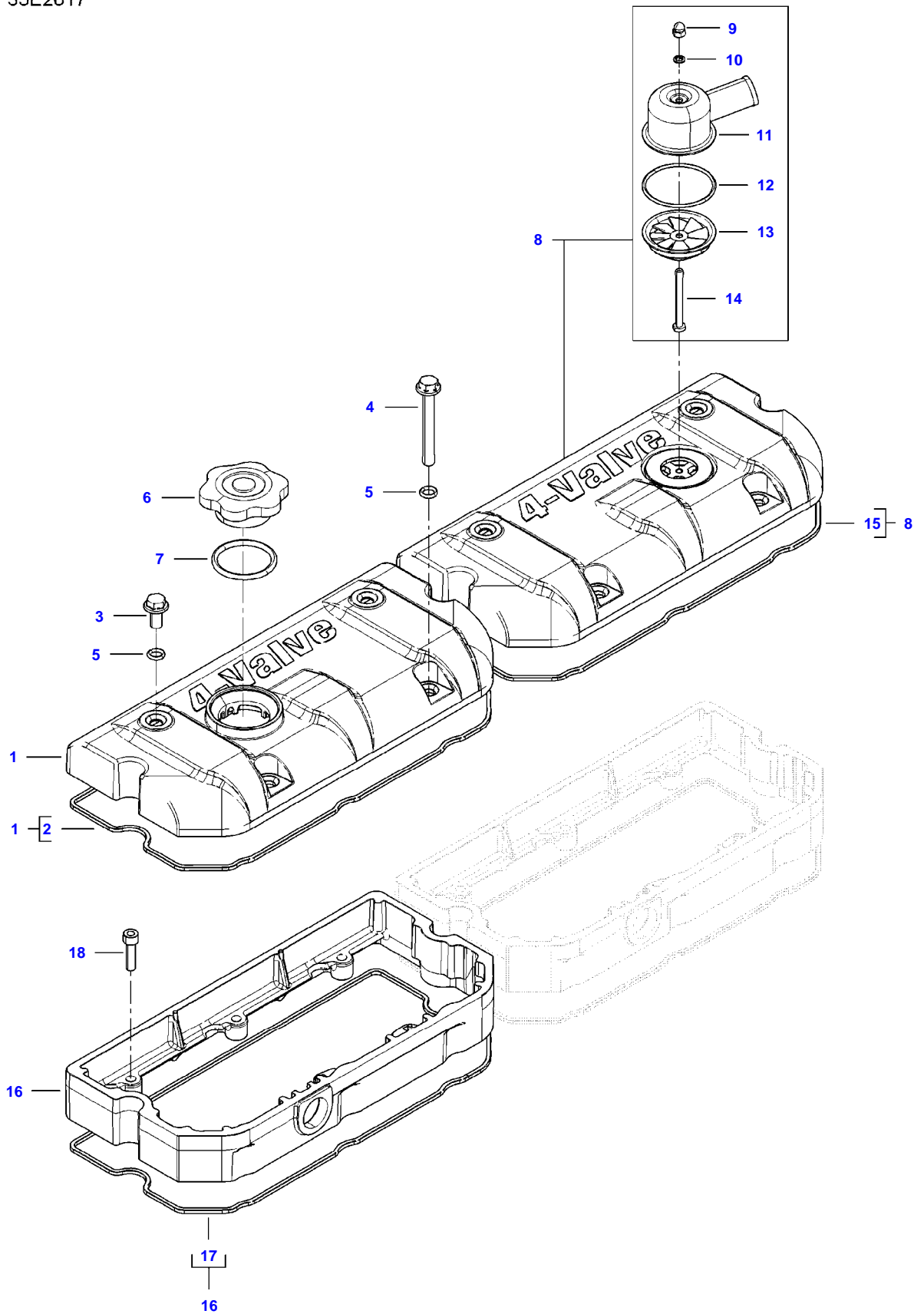
| Item | Part Number | Qty | Description<br>Comments     | Technical Specification |
|------|-------------|-----|-----------------------------|-------------------------|
| 1    | V837073233  | 2   | CYLINDER HEAD               |                         |
| 2    | V837073174  | 24  | VALVE GUIDE<br>(1)          |                         |
| 3    | V837064907  | 12  | VALVE SEAT<br>(1)           | STD 4V EXHAUST          |
| 4    | V837064908  | 12  | VALVE SEAT<br>(1)           | STD 4V INTAKE           |
| 5    | V837069002  | 12  | EXHAUST VALVE<br>(1)        |                         |
| 6    | V837069003  | 12  | INTAKE VALVE<br>(1)         |                         |
| 7    | V837064910  | 48  | COTTER<br>(1)               |                         |
| 8    | V837069004  | 24  | SPRING PLATE<br>(1)         |                         |
| 9    | V837069005  | 24  | VALVE SPRING<br>(1)         |                         |
| 10   | V837073165  | 24  | VALVE STEM GASKET<br>(1)    |                         |
| 11   | V836647942  | 8   | CUP PLUG<br>(1)             |                         |
| 12   | V546901900  | 4   | STUD BOLT<br>(1)            |                         |
| 13   | V837084523  | 2   | CYLINDER HEAD GASKET<br>[A] |                         |
| 14   | V836867753  | 2   | GASKET<br>[A]               |                         |
| 15   | V837086509  | 1   | THREADED NIPPLE             |                         |
| 16   | V615881822  | 2   | SEALING WASHER<br>[A]       |                         |
| 17   | V528801360  | 1   | HEX CAP SCREW               |                         |
| 18   | V836747849  | 1   | SUPPORT                     |                         |
| 19   | V836640752  | 2   | LIFT EYE                    |                         |
| 20   | V837069025  | 32  | CYLINDER HEAD BOLT          |                         |
| 21   | V837073571  | 2   | CYLINDER HEAD BOLT          |                         |
| 22   | V836867567  | 2   | LIFTING EYE EXTENSION       |                         |
| 23   | V640016045  | 1   | CUP PLUG                    |                         |
| 24   | V528801820  | 4   | HEX CAP SCREW               |                         |
| 25   | V836855348  | 1   | CONNECTION FLANGE           |                         |
| 26   | V836867752  | 1   | GASKET<br>[A]               |                         |
| 27   | V528801800  | 4   | HEX CAP SCREW               |                         |
| 28   | V836855350  | 2   | BLOCK OFF PLATE             |                         |
| 29   | V640325018  | 1   | PLUG                        |                         |
| 30   |             | 1   |                             |                         |

SEE PAGE 01-0023

[A] INCLUDED IN CYLINDER HEAD GASKET KIT 1

5255L PL COMBINE (STAGE 4 / TIER 4F) (ZN205554X03000001-9999)  
AP35E2617

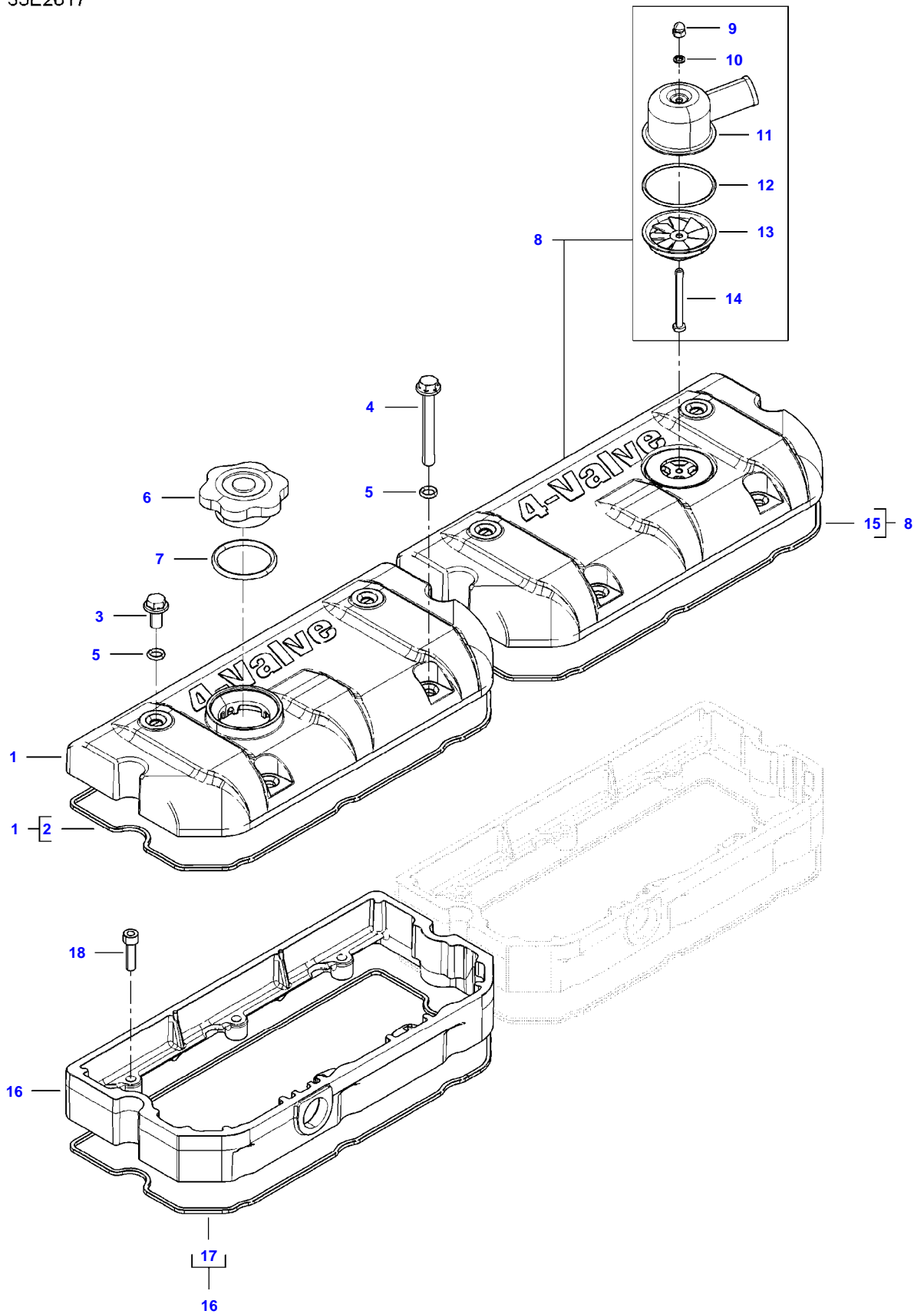
AP35E2617



| Item | Part Number | Qty | Description<br>Comments  |
|------|-------------|-----|--|
| 1    | V837084222  | 1   | VALVE ROCKER COVER   |
| 2    | V837067881  | 1   | VALVE ROCKER COVER GASKET<br>(1)<br>[A]                        |
| 3    | V540801780  | 4   | HEXAGON FLANGE BOLT  |
| 4    | V540801910  | 4   | HEXAGON FLANGE BOLT  |
| 5    | V614901030  | 8   | O-RING<br>[A]  |
| 6    | V836659968  | 1   | OIL FILLER CAP   |
| 7    | V614704850  | 1   | O-RING<br>[A]  |
| 8    | V837084221  | 1   | VALVE ROCKER COVER   |
| 9    | V519600602  | 1   | NUT<br>(8)   |
| 10   | V836667508  | 1   | SEALING WASHER<br>(8)  |
| 11   | V837070442  | 1   | BREATHER CAP<br>(8)  |
| 12   | V836667459  | 1   | GASKET<br>(8)  |
| 13   | V837070443  | 1   | BREATHER<br>(8)  |
| 14   | V528801172  | 1   | HEX CAP SCREW<br>(8)   |
| 15   | V837067881  | 1   | VALVE ROCKER COVER GASKET<br>(8)<br>[A]                        |
| 16   | V837084220  | 2   | VALVE ROCKER COVER FRAME                                       |
| 17   | V837067881  | 2   | VALVE ROCKER COVER GASKET<br>(16)<br>[A]                       |
| 18   | V581804630  | 6   | HEX SOCKET SCREW<br>[A] INCLUDED IN CYLINDER HEAD GASKET KIT 1 |

5255L PL COMBINE (STAGE 4 / TIER 4F) (ZN205554X03000001-9999)  
AP35E2617

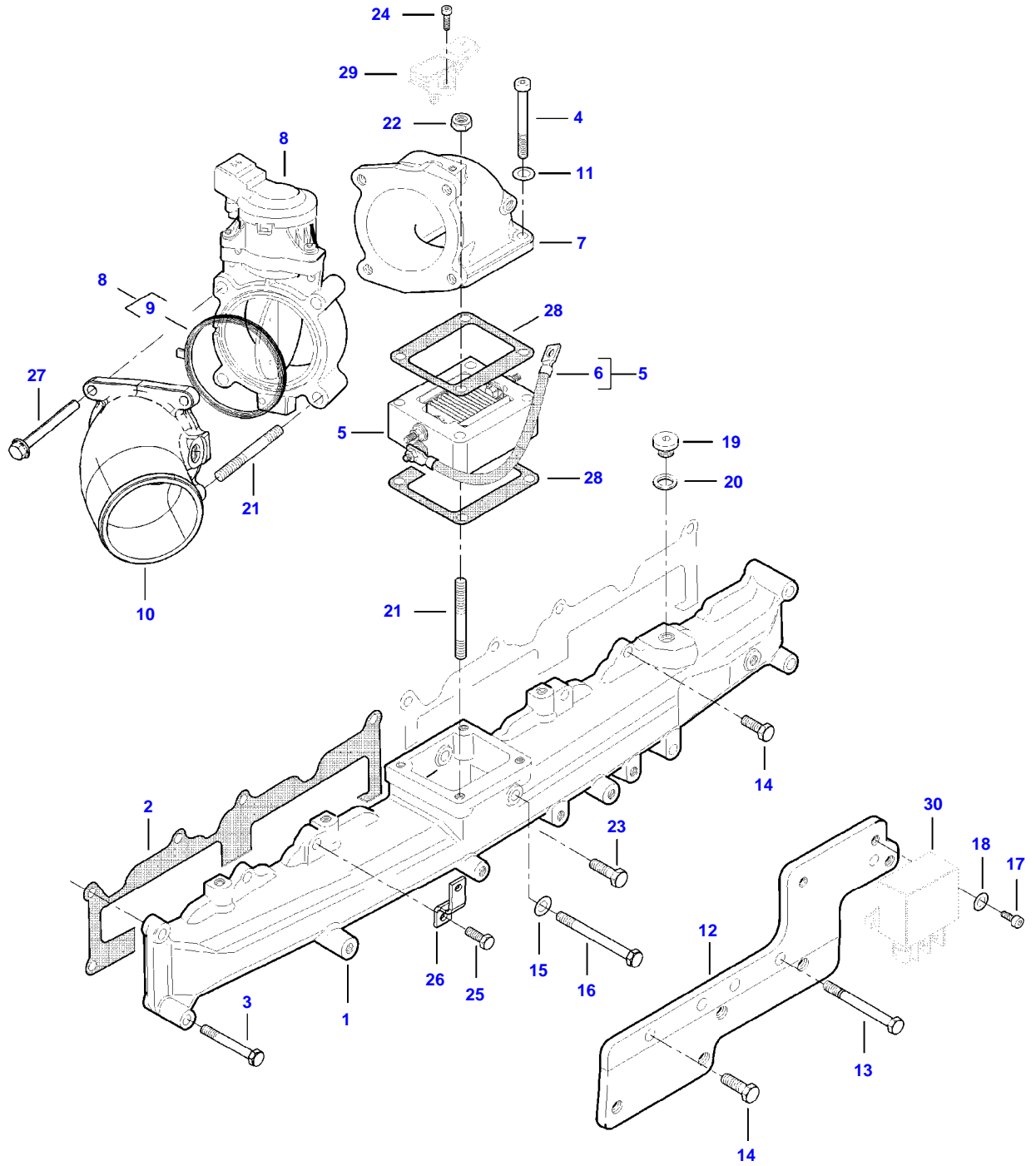
AP35E2617



| Item | Part Number | Qty | Description<br>Comments  |
|------|-------------|-----|--|
| 1    | V837086527  | 1   | VALVE ROCKER COVER   |
| 2    | V837067881  | 1   | VALVE ROCKER COVER GASKET<br>(1)<br>[A]                        |
| 3    | V540801780  | 4   | HEXAGON FLANGE BOLT  |
| 4    | V540801910  | 4   | HEXAGON FLANGE BOLT  |
| 5    | V614901030  | 8   | O-RING<br>[A]  |
| 6    | V836659968  | 1   | OIL FILLER CAP   |
| 7    | V614704850  | 1   | O-RING<br>[A]  |
| 8    | V837086137  | 1   | VALVE ROCKER COVER   |
| 9    | V519600602  | 1   | NUT<br>(8)   |
| 10   | V836684766  | 1   | SEALING WASHER<br>(8)  |
| 11   | V837070442  | 1   | BREATHER CAP<br>(8)  |
| 12   | V614605930  | 1   | O-RING<br>(8)  |
| 13   | V837070443  | 1   | BREATHER<br>(8)  |
| 14   | V528801172  | 1   | HEX CAP SCREW<br>(8)   |
| 15   | V837067881  | 1   | VALVE ROCKER COVER GASKET<br>(8)<br>[A]                        |
| 16   | V837084220  | 2   | VALVE ROCKER COVER FRAME                                       |
| 17   | V837067881  | 2   | VALVE ROCKER COVER GASKET<br>(16)<br>[A]                       |
| 18   | V581804630  | 6   | HEX SOCKET SCREW<br>[A] INCLUDED IN CYLINDER HEAD GASKET KIT 1 |

5255L PL COMBINE (STAGE 4 / TIER 4F) (ZN205554X03000001-9999)  
AP7E2616

AP7E2616



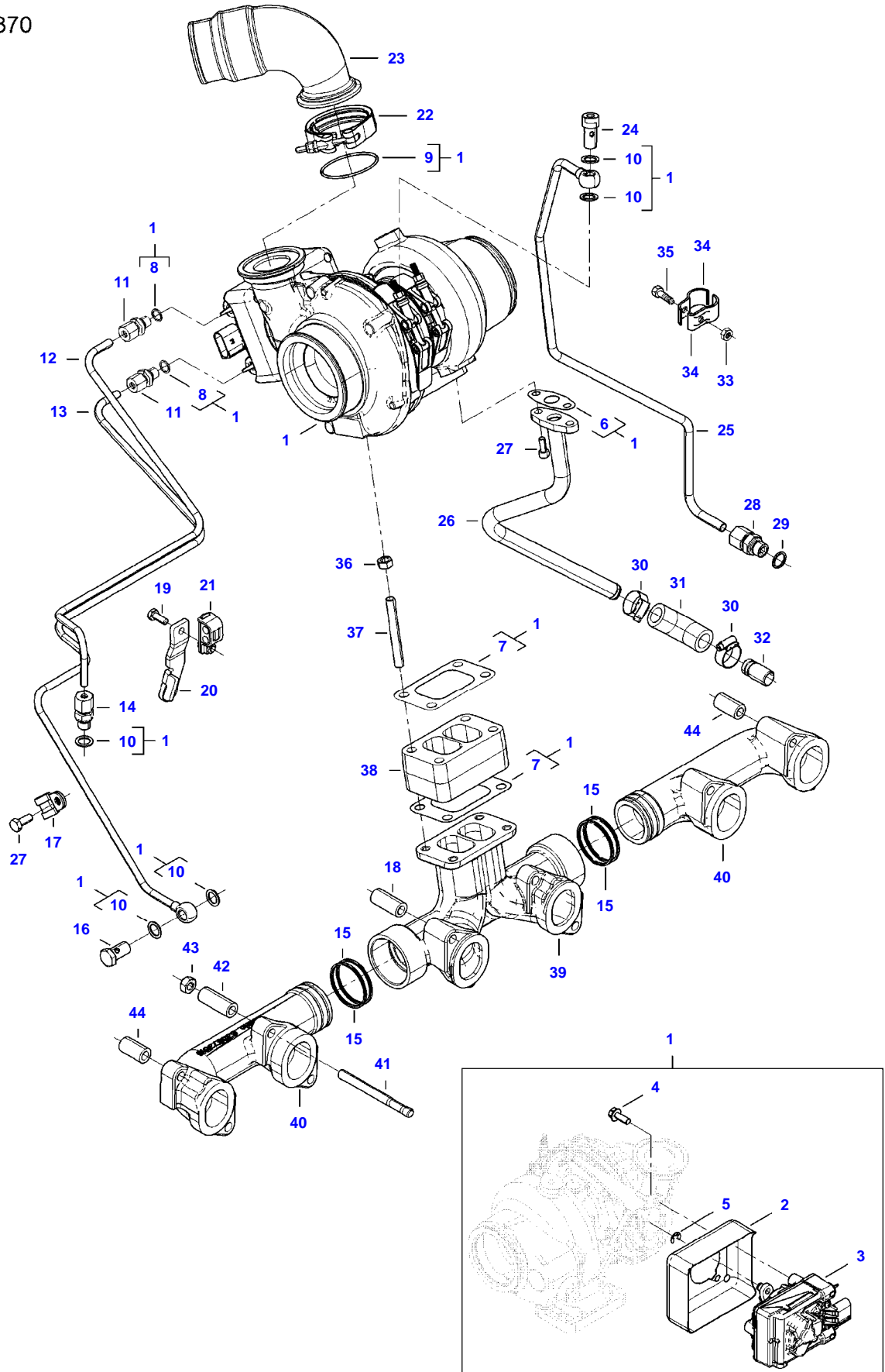


## INTAKE MANIFOLD

| Item | Part Number | Qty | Description<br>Comments  |
|------|-------------|-----|--|
| 1    | V837070219  | 1   | INTAKE MANIFOLD  |
| 2    | V837069009  | 2   | INTAKE MANIFOLD GASKET<br>[A]                                  |
| 3    | V529801470  | 1   | HEX CAP SCREW  |
| 4    | V581804702  | 3   | HEX SOCKET SCREW   |
| 5    | V837067295  | 1   | INTAKE AIR PREHEATER   |
| 6    | ACP0427330  | 1   | GROUND WIRE<br>(5)   |
| 7    | V837084350  | 1   | AIR INTAKE PIPE  |
| 8    | V837084452  | 1   | THROTTLE FLAP  |
| 9    | V837079849  | 2   | GASKET<br>(8)<br>[A]   |
| 10   | V837084407  | 1   | AIR PIPE   |
| 11   | V500150842  | 5   | WASHER   |
| 12   | V837084111  | 1   | FUEL FILTER BRACKET  |
| 13   | V529801530  | 2   | HEX CAP SCREW  |
| 14   | V528801402  | 5   | HEX CAP SCREW  |
| 15   | V836684767  | 1   | SEALING WASHER<br>[A]  |
| 16   | V529801550  | 1   | HEX CAP SCREW  |
| 17   | V581804182  | 2   | HEX SOCKET SCREW   |
| 18   | V500050642  | 2   | WASHER   |
| 19   | V640325014  | 1   | PLUG   |
| 20   | V615881420  | 1   | SEALING WASHER<br>[A]  |
| 21   | V546801492  | 2   | STUD BOLT  |
| 22   | V504800800  | 2   | NUT  |
| 23   | V528801410  | 6   | HEX CAP SCREW  |
| 24   | V528801062  | 1   | HEX CAP SCREW  |
| 25   | V528801422  | 1   | HEX CAP SCREW  |
| 26   | V836747849  | 1   | SUPPORT  |
| 27   | V540801490  | 3   | HEXAGON FLANGE BOLT  |
| 28   | V837067345  | 2   | GASKET<br>[A]  |
| 29   |             | 1   | SEE PAGE 01-0023   |
| 30   |             | 1   | SEE PAGE 01-0023<br>[A] INCLUDED IN CYLINDER HEAD GASKET KIT 1 |

5255L PL COMBINE (STAGE 4 / TIER 4F) (ZN205554X03000001-9999)  
AP9E1370

AP9E1370

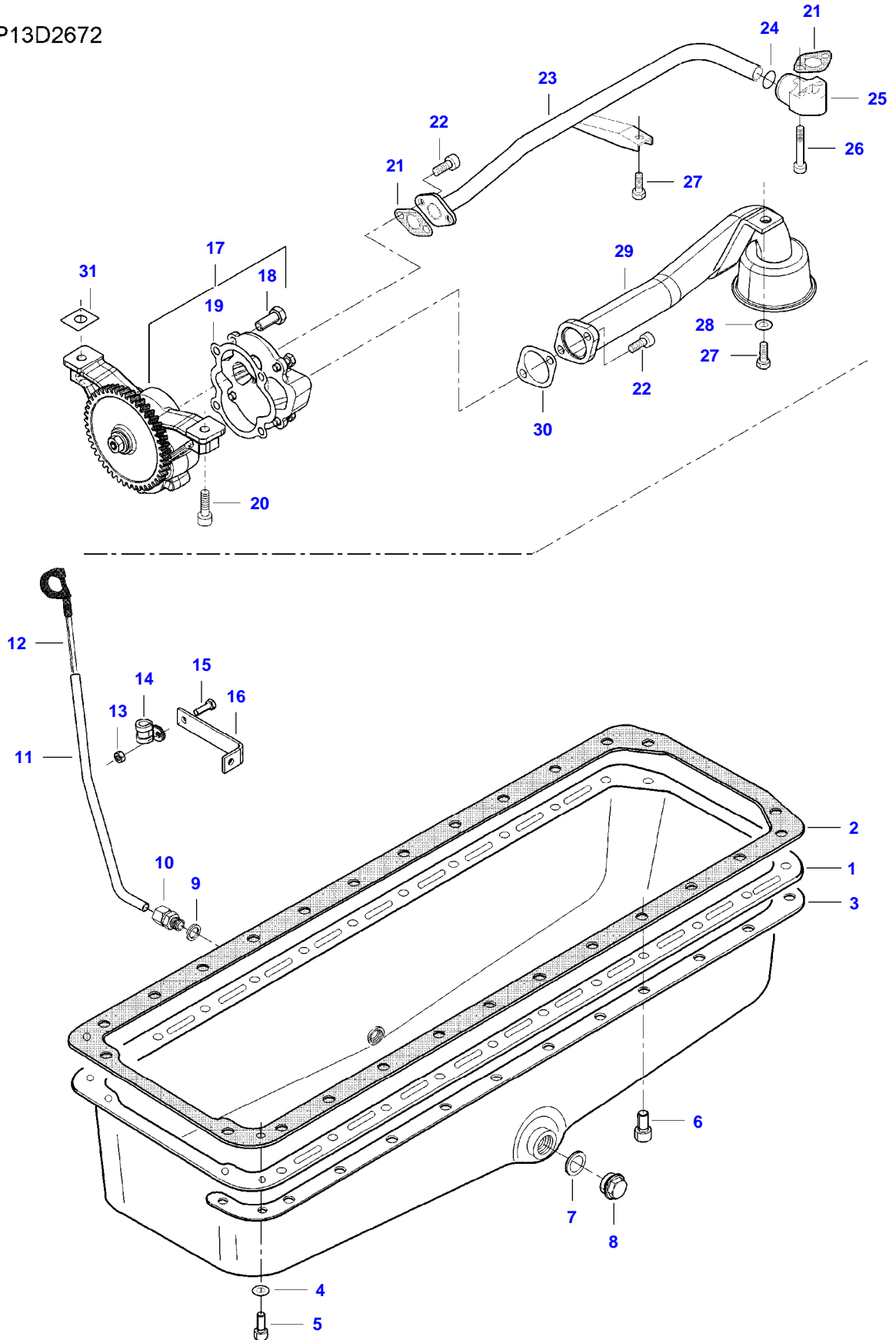


| Item | Part Number | Qty | Description<br>Comments           |
|------|-------------|-----|-----------------------------------|
| 1    | V837079854  | 1   | KIT, TURBOCHARGR                  |
| 2    | V837091123  | 1   | HEATSHIELD<br>(1)                 |
| 3    | V837091110  | 1   | ACTUATOR<br>(1)                   |
| 4    | V837091127  | 3   | HEXAGON FLANGE BOLT<br>(1)        |
| 5    | V837079945  | 1   | LOCK RING<br>(1)                  |
| 6    | ACW3397620  | 1   | GASKET<br>(1)<br>[A]              |
| 7    | V836316726  | 2   | GASKET<br>(1)<br>[A]              |
| 8    | V615881218  | 2   | SEALING WASHER<br>(1)<br>[A]      |
| 9    | V614606225  | 1   | O-RING<br>(1)<br>[A]              |
| 10   | V615881420  | 5   | SEALING WASHER<br>(1)<br>[A]      |
| 11   | V641086008  | 2   | STRAIGHT FITTING                  |
| 12   | V836884177  | 1   | WATER PIPE                        |
| 13   | V836884176  | 1   | WATER PIPE                        |
| 14   | V641096008  | 1   | STRAIGHT FITTING                  |
| 15   | V836316519  | 4   | SEALING RING<br>[A]               |
| 16   | V640435010  | 1   | BANJO BOLT                        |
| 17   | V602060608  | 1   | RETAINER CLAMP                    |
| 18   | V836652803  | 1   | SPACER PIECE                      |
| 19   | V528801062  | 1   | HEX CAP SCREW                     |
| 20   | V837084763  | 1   | SUPPORT                           |
| 21   | V837073721  | 2   | RETAINER CLAMP                    |
| 22   | V836866454  | 1   | V CLAMP                           |
| 23   | V836866381  | 1   | BOOST PIPE                        |
| 24   | V837084079  | 1   | BANJO BOLT                        |
| 25   | V836884174  | 1   | TURBOCHARGER LUBRICATION OIL PIPE |
| 26   | V836884175  | 1   | TURBOCHARGER LUBRICATION OIL PIPE |
| 27   | V581804602  | 3   | HEX SOCKET SCREW                  |
| 28   | V641096010  | 1   | STRAIGHT FITTING                  |
| 29   | V615881620  | 1   | SEALING WASHER<br>[A]             |
| 30   | V602087528  | 2   | HOSE CLIP                         |
| 31   | V836647576  | 1   | RUBBER ELBOW                      |
| 32   | V837084240  | 1   | OIL PIPE                          |
| 33   | V504600602  | 1   | NUT                               |
| 34   | V836773645  | 2   | PIPE CLAMP HALF                   |
| 35   | V529801112  | 1   | HEX CAP SCREW                     |
| 36   | V521801000  | 4   | NUT                               |
| 37   | V546701900  | 4   | STUD BOLT                         |
| 38   | V837070340  | 1   | FLANGE                            |
| 39   | V836873517  | 1   | EXHAUST MANIFOLD                  |
| 40   | V836873516  | 2   | EXHAUST MANIFOLD                  |
| 41   | V836859188  | 12  | STUD BOLT                         |
| 42   | V836664013  | 7   | SPACER PIECE                      |
| 43   | V513601002  | 12  | NUT                               |
| 44   | V836664012  | 4   | SPACER PIECE                      |

[A] INCLUDED IN CYLINDER HEAD GASKET KIT 1

5255L PL COMBINE (STAGE 4 / TIER 4F) (ZN205554X03000001-9999)  
AP13D2672

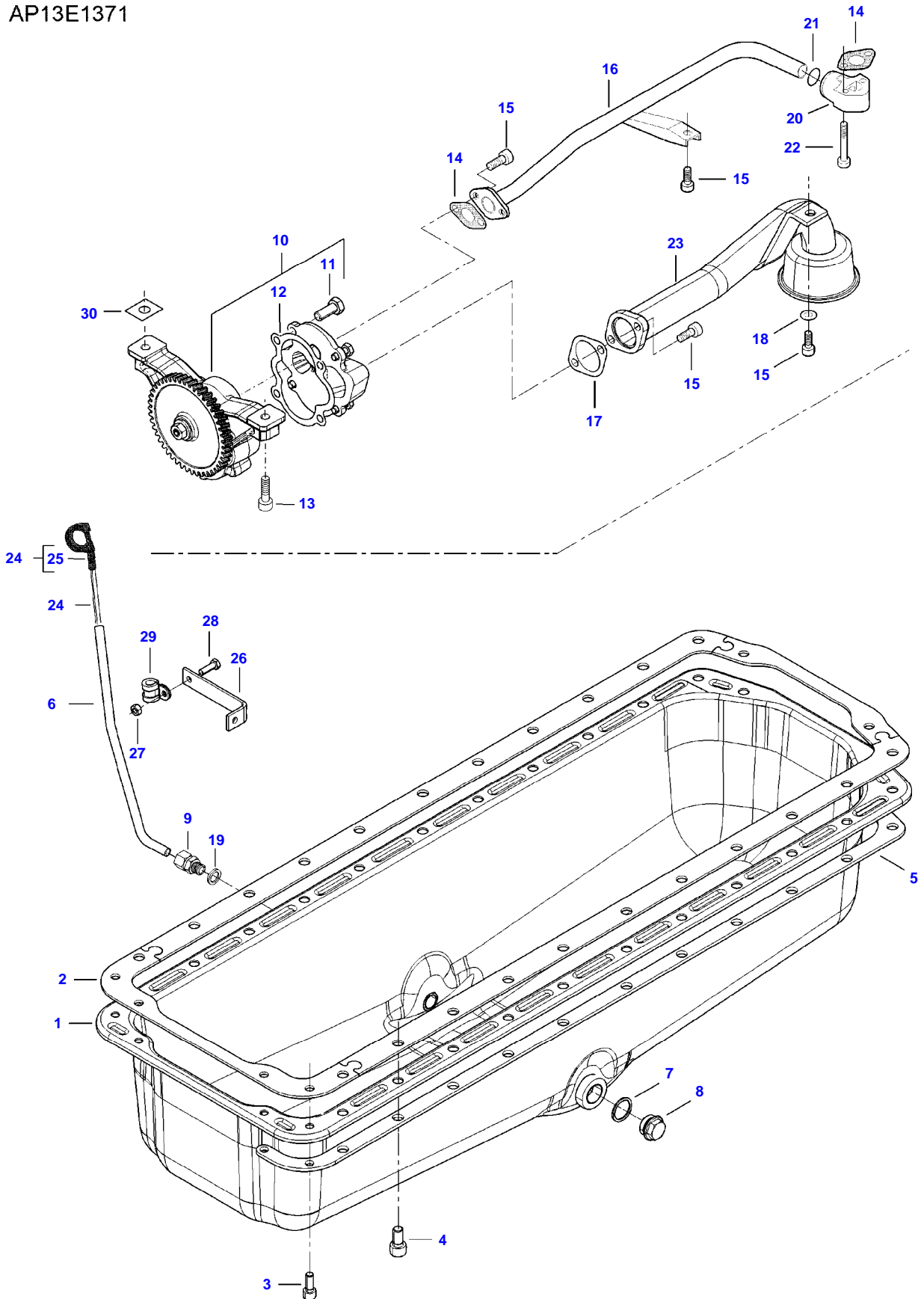
AP13D2672



| Item | Part Number | Qty | Description<br>Comments   |
|------|-------------|-----|---|
| 1    | V836347308  | 1   | OIL SUMP  |
| 2    | V836322538  | 1   | OIL SUMP GASKET<br>[B]  |
| 3    | V836884179  | 2   | PLATE   |
| 4    | V500950800  | 4   | SPRING WASHER   |
| 5    | V580804600  | 4   | HEX SOCKET SCREW  |
| 6    | V580805000  | 24  | HEX SOCKET SCREW  |
| 7    | V615882227  | 1   | SEALING WASHER<br>[B]   |
| 8    | V640045022  | 1   | PLUG  |
| 9    | V615881622  | 1   | SEALING WASHER<br>[B]   |
| 10   | V641086012  | 1   | STRAIGHT FITTING  |
| 11   | V836867889  | 1   | OIL DIPSTICK GUIDE PIPE   |
| 12   | V836867888  | 1   | DIPSTICK  |
| 13   | V504800800  | 1   | NUT   |
| 14   | V602060612  | 1   | RETAINER CLAMP  |
| 15   | V528801402  | 2   | HEX CAP SCREW   |
| 16   | V836859955  | 1   | SUPPORT   |
| 17   | V836855300  | 1   | LUBRICATING OIL PUMP  |
| 18   | V528801382  | 4   | HEX CAP SCREW<br>(17)   |
| 19   | V836338188  | 1   | GASKET<br>(17)<br>[B]   |
| 20   | V581805050  | 2   | HEX SOCKET SCREW  |
| 21   | V836008449  | 2   | GASKET<br>[B]   |
| 22   | V581804602  | 4   | HEX SOCKET SCREW  |
| 23   | V836866569  | 1   | OIL PIPE  |
| 24   | V614702230  | 1   | O-RING<br>[B]   |
| 25   | V836866563  | 1   | ADAPTER FLANGE  |
| 26   | V581804680  | 2   | HEX SOCKET SCREW  |
| 27   | V528801362  | 2   | HEX CAP SCREW   |
| 28   | V500150842  | 1   | WASHER  |
| 29   | V836855674  | 1   | OIL PUMP SUCTION PIPE   |
| 30   | V836338201  | 1   | GASKET<br>[B]   |
| 31   | V836007871  |     | SHIM<br>AS REQUIRED, REFER TO WORKSHOP MANUAL<br>[B] INCLUDED IN COMPLETE ENGINE GASKET KIT 2 |

5255L PL COMBINE (STAGE 4 / TIER 4F) (ZN205554X03000001-9999)  
AP13E1371

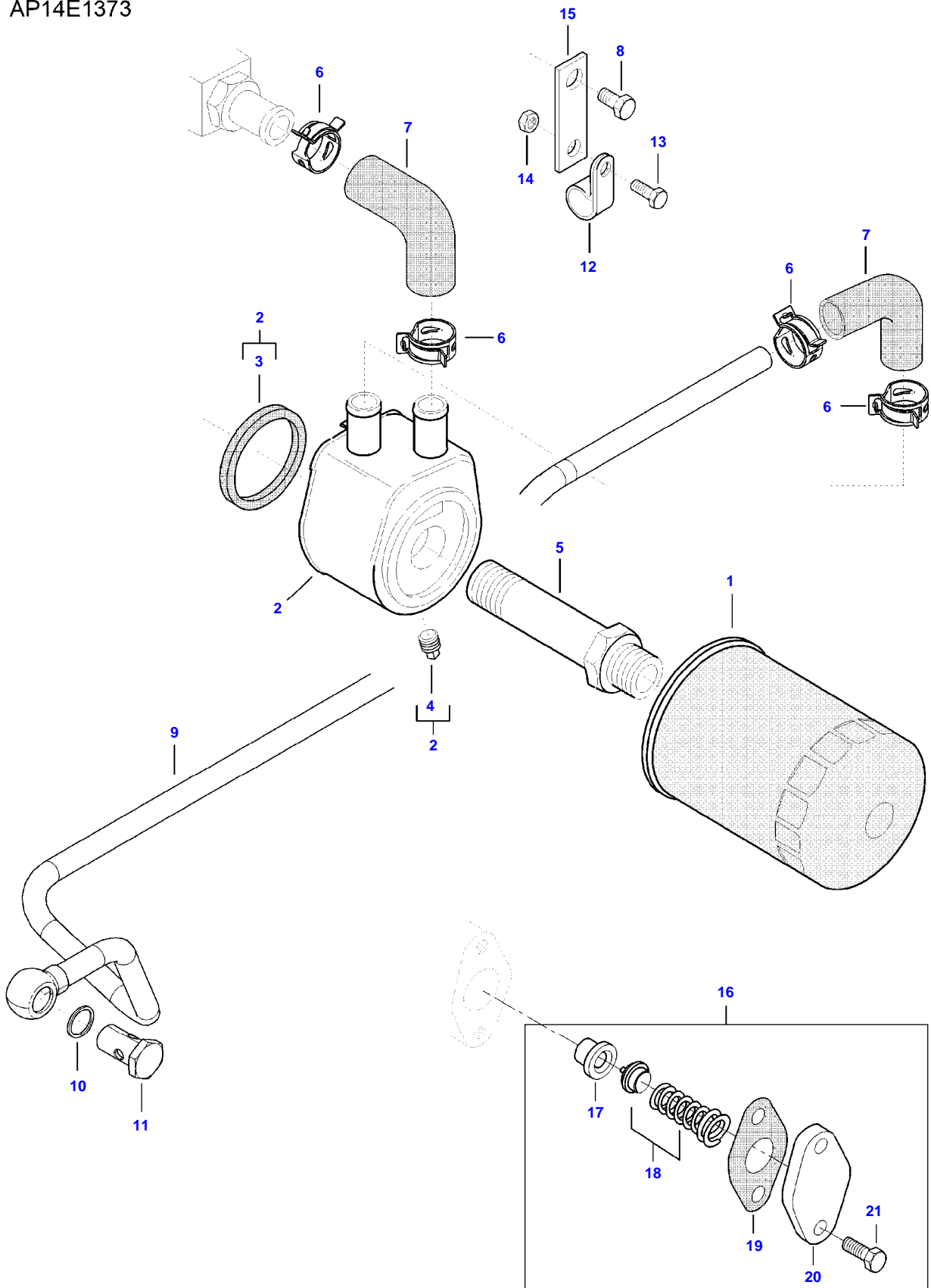
AP13E1371



| Item | Part Number | Qty | Description<br>Comments  |
|------|-------------|-----|--|
| 1    | V836347308  | 1   | OIL SUMP   |
| 2    | V837084649  | 1   | OIL SUMP GASKET<br>[B]   |
| 3    | V580804630  | 4   | HEX SOCKET SCREW   |
| 4    | V580805030  | 24  | HEX SOCKET SCREW   |
| 5    | V836884833  | 2   | PLATE  |
| 6    | V836867889  | 1   | OIL DIPSTICK GUIDE PIPE  |
| 7    | V615882227  | 1   | SEALING WASHER<br>[B]  |
| 8    | V640045022  | 1   | PLUG   |
| 9    | V641086012  | 1   | STRAIGHT FITTING   |
| 10   | V836855300  | 1   | LUBRICATING OIL PUMP   |
| 11   | V528801382  | 4   | HEX CAP SCREW<br>(10)  |
| 12   | V836338188  | 1   | GASKET<br>(10)<br>[B]  |
| 13   | V581805050  | 2   | HEX SOCKET SCREW   |
| 14   | V836008449  | 2   | GASKET<br>[B]  |
| 15   | V581804602  | 6   | HEX SOCKET SCREW   |
| 16   | V836866569  | 1   | OIL PIPE   |
| 17   | V836338201  | 1   | GASKET<br>[B]  |
| 18   | V500150842  | 1   | WASHER   |
| 19   | V615881622  | 1   | SEALING WASHER<br>[B]  |
| 20   | V836866563  | 1   | ADAPTER FLANGE   |
| 21   | V614702230  | 1   | O-RING<br>[B]  |
| 22   | V581804680  | 2   | HEX SOCKET SCREW   |
| 23   | V836855674  | 1   | OIL PUMP SUCTION PIPE  |
| 24   | V836867888  | 1   | DIPSTICK   |
| 25   | V614900615  | 1   | O-RING<br>(24)<br>[B]  |
| 26   | V836859955  | 1   | SUPPORT  |
| 27   | V504800800  | 1   | NUT  |
| 28   | V528801402  | 2   | HEX CAP SCREW  |
| 29   | V602060612  | 1   | RETAINER CLAMP   |
| 30   | V836007871  |     | SHIM<br>AS REQUIRED, REFER TO WORKSHOP MANUAL<br><b>[B] INCLUDED IN COMPLETE ENGINE GASKET KIT 2</b> |

5255L PL COMBINE (STAGE 4 / TIER 4F) (ZN205554X03000001-9999)  
AP14E1373

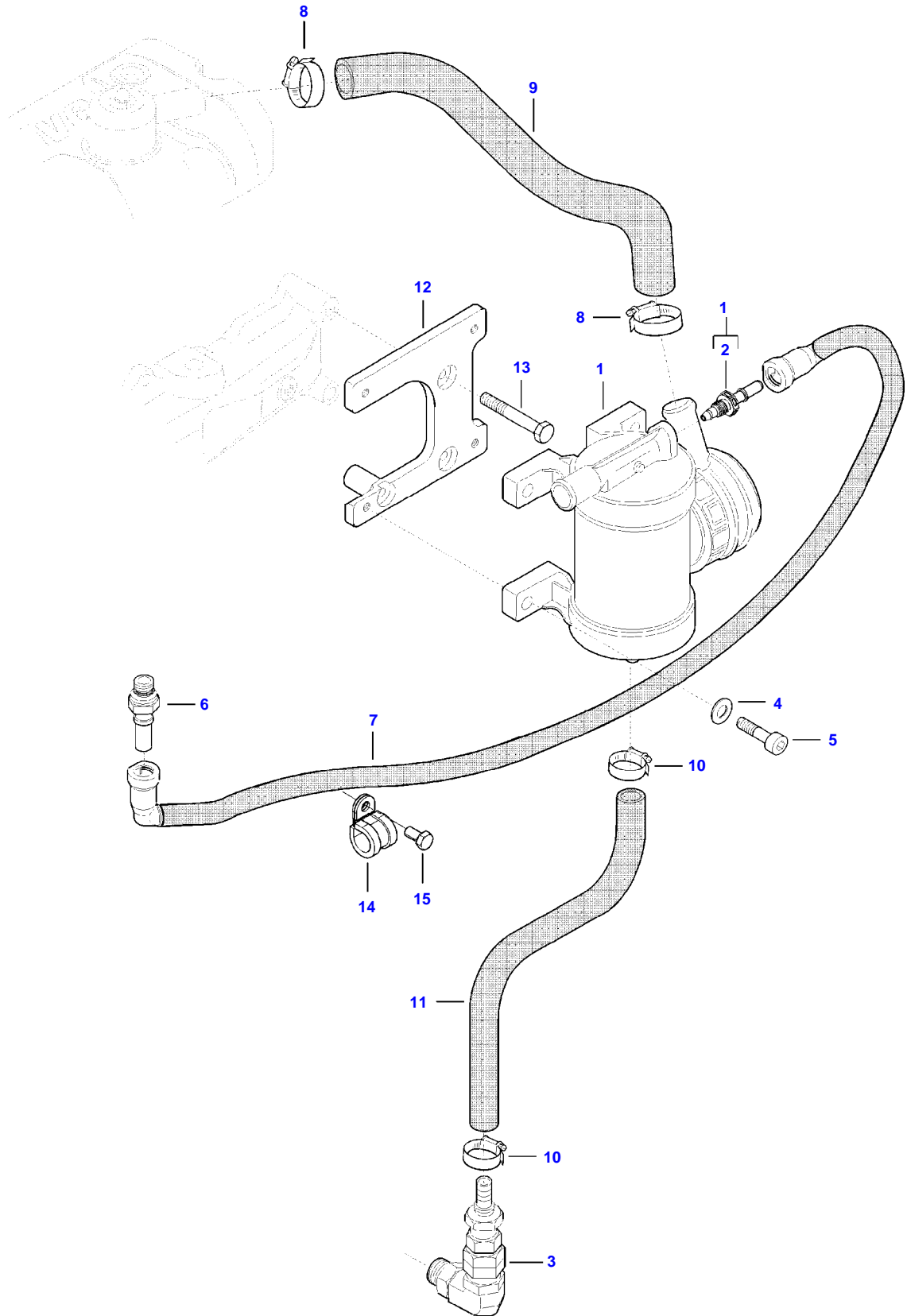
AP14E1373





| Item | Part Number | Qty | Description<br>Comments   |
|------|-------------|-----|---|
| 1    | V836679586  | 1   | ENGINE OIL FILTER   |
| 2    | V836859699  | 1   | OIL COOLER  |
| 3    | V836862235  | 1   | SEAL<br>(2)   |
| 4    | V640004004  | 1   | PLUG<br>(2)   |
| 5    | V836859700  | 1   | UNION   |
| 6    | V602082022  | 4   | HOSE CLIP   |
| 7    | V836859899  | 2   | RUBBER ELBOW  |
| 8    | V528801762  | 1   | HEX CAP SCREW   |
| 9    | V837073863  | 1   | WATER PIPE  |
| 10   | V615881822  | 2   | SEALING WASHER<br>[B]   |
| 11   | V640435015  | 1   | BANJO BOLT  |
| 12   | V602074615  | 1   | RETAINER CLAMP  |
| 13   | V528801382  | 1   | HEX CAP SCREW   |
| 14   | V504800800  | 1   | NUT   |
| 15   | V837070143  | 1   | SUPPORT   |
| 16   | V837079484  | 1   | OIL PRESSURE CONTROL VALVE  |
| 17   |             | 1   | NOT AVAILABLE AS SINGLE PART<br>(16)                                  |
| 18   |             | 1   | NOT AVAILABLE AS SINGLE PART<br>(16)                                  |
| 19   | V836322190  | 1   | GASKET<br>(16)<br>[B]   |
| 20   | V837074289  | 1   | COVER<br>(16)   |
| 21   | V528801382  | 2   | HEX CAP SCREW<br>(16)<br>[B] INCLUDED IN COMPLETE ENGINE GASKET KIT 2 |

AP15E1383



Thank you so much for reading.  
Please click the “Buy Now!”  
button below to download the  
complete manual.



After you pay.

You can download the most  
perfect and complete manual in  
the world immediately.

Our support email:

[ebooklibonline@outlook.com](mailto:ebooklibonline@outlook.com)