

TABLE OF CONTENT

Page Number	Page Title	Page Reference
01-000-TOC	ENGINE V835277731 84 AWF-HLA	01-000-TOC
02-000-TOC	ENGINE INSTALLATION	02-000-TOC
03-000-TOC	DRIVE SYSTEM	03-000-TOC
04-000-TOC	AXLES	04-000-TOC
05-000-TOC	FRAME AND SUSPENSION	05-000-TOC
06-000-TOC	STEERING SYSTEM	06-000-TOC
07-000-TOC	DRIVE TRAIN SYSTEM	07-000-TOC
08-000-TOC	BRAKE SYSTEM	08-000-TOC
09-000-TOC	HYDRAULIC SYSTEM	09-000-TOC
10-000-TOC	ELECTRICAL SYSTEM	10-000-TOC
11-000-TOC	CAB	11-000-TOC
12-000-TOC	AIR CONDITIONING AND HEATING SYSTEM	12-000-TOC
13-000-TOC	CHASSIS	13-000-TOC
14-000-TOC	DECALS	14-000-TOC
15-000-TOC	WHEELS	15-000-TOC
16-000-TOC	FEEDING SYSTEM	16-000-TOC
17-000-TOC	THRESHING SYSTEM	17-000-TOC
18-000-TOC	CLEANING SYSTEM	18-000-TOC
19-000-TOC	GRAIN BIN AND ELEVATOR SYSTEM	19-000-TOC
20-000-TOC	DISCHARGE SYSTEM	20-000-TOC
21-000-TOC	ATTACHMENTS	21-000-TOC
22-000-TOC	ACCESSORIES	22-000-TOC

Page Number	Page Title	Page Reference
01-0001	ENGINE ASSEMBLIES	1MDL1937671
01-0002	CYLINDER BLOCK - HYDRAULIC LASH ADJUSTMENT	1MDL2173037
01-0003	TIMING GEARS AND HOUSING	1MDL2300810
01-0004	FLYWHEEL AND HOUSING	1MDL1937870
01-0005	CRANKSHAFT AND PISTONS	1MDL2300811
01-0006	CAMSHAFT AND VALVE MECHANISM - HYDRAULIC LASH ADJUSTMENT	1MDL1937903
01-0007	CYLINDER HEAD	1MDL2300812
01-0008	VALVE ROCKER COVER	1MDL2173046
01-0009	INTAKE MANIFOLD	1MDL2300813
01-0010	EXHAUST MANIFOLD - M12 TURBO MOUNTING STUD BOLTS	1MDL1940222
01-0011	HIGH PRESSURE TURBOCHARGER - M12 TURBO MOUNTING STUD BOLTS	1MDL2300814
01-0012	LOW PRESSURE TURBOCHARGER AND ICAC - M12 TURBO MOUNTING STUD BOLTS	1MDL2300815
01-0013	EXHAUST GAS RECIRCULATION (EGR)	1MDL2300816
01-0014	OIL PUMP AND SUMP	1MDL2173113
01-0015	OIL COOLER AND FILTER	1MDL2300817
01-0016	CLOSED CRANKCASE VENTILATION (CCV)	1MDL2300818
01-0017	COOLANT PIPING	1MDL2300819
01-0018	COOLANT PUMP AND THERMOSTAT	1MDL2173189
01-0019	FUEL INJECTION SYSTEM	1MDL1940804
01-0020	FUEL FILTERS	1MDL2173193
01-0021	ELECTRONIC ENGINE MANAGEMENT	1MDL2300820
01-0022	ALTERNATOR	1MDL1940830
01-0023	STARTER MOTOR	1MDL1940834
01-0024	FAN DRIVE	1MDL1940835
01-0025	EXHAUST AFTERTREATMENT - ENGINE TYPE AWF	1MDL1940836
01-0026	ENGINE OVERHAUL PARTS - 8.4 LITER	1MDL1941402
01-0027	SPECIAL OVERHAUL PARTS	1MDL1940838

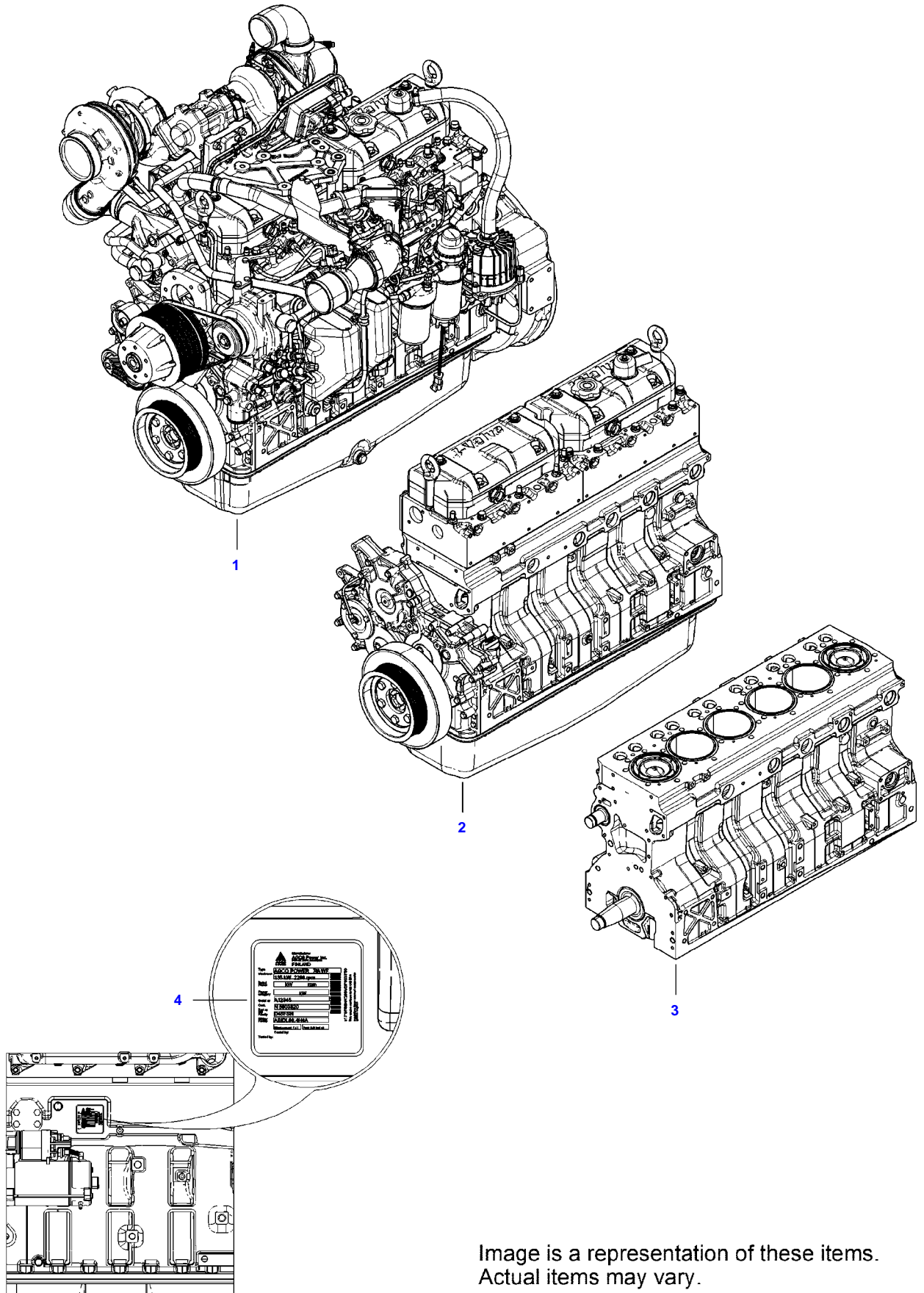


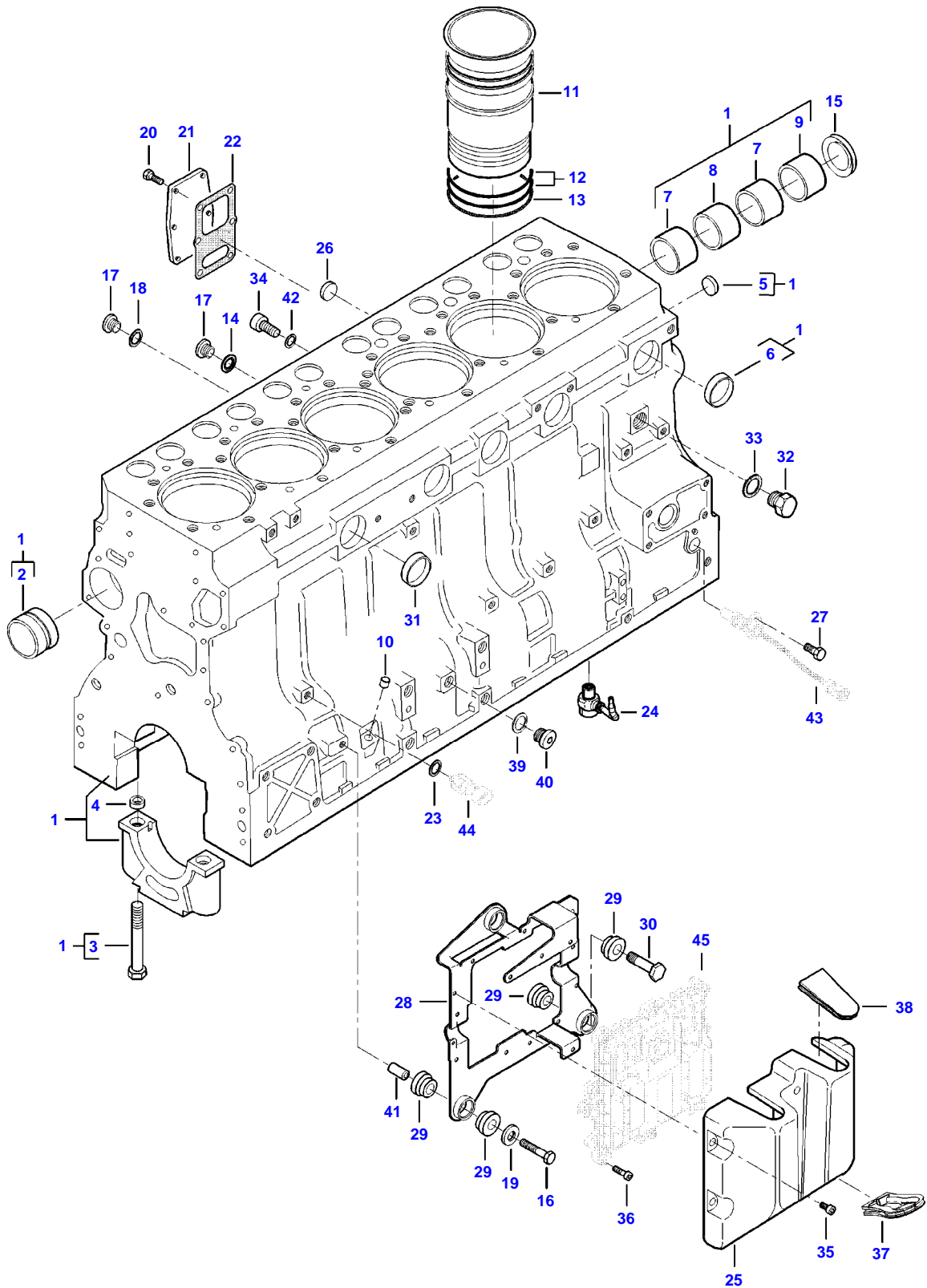
Image is a representation of these items.
Actual items may vary.

ENGINE ASSEMBLIES

Item	Part Number	Qty	Description Comments	Technical Specification
1	V835277731	1	ENGINE 221/2100 (KW/RPM)	84 AWF-HLA
2	V865291503V	1	LONG BLOCK ENGINE	84 AWF-HLA/LFVC
3	V865291621X	1	SHORT BLOCK ENGINE	84 AWF-HLA/LFVC
4	V837079921	1	LABEL ENGINE TYPE PLATE	

6335C PL-I COMBINE (STAGE 4 / TIER 4F) (ZN205641X03020001-999)
AP1F2274

AP1F2274



Item	Part Number	Qty	Description Comments	Technical Specification
1	V837086427	1	CYLINDER BLOCK	84 AWF HLA
2	V836866069	1	CAMSHAFT BEARING BUSH (1)	
3	V835329030	14	HEX CAP SCREW (1)	
4	V836214478	24	GUIDE SLEEVE (1)	
5	V640016016	2	CUP PLUG (1)	
6	V640016040	4	CUP PLUG (1)	
7	V836852460	2	CAMSHAFT BEARING BUSH (1)	
8	V837086315	1	CAMSHAFT BEARING BUSH (1)	
9	V836852461	1	CAMSHAFT BEARING BUSH (1)	
10	V640016012	1	CUP PLUG	
11	V836867048	6	LINER	
12	V836855446	12	CYLINDER LINER O-RING [B]	
13	V836855447	6	CYLINDER LINER O-RING [B]	
14	V836684768	16	SEALING WASHER [B]	
15	V836852744	1	PLUG	
16	V529801430	2	HEX CAP SCREW	
17	V640325110	21	SCREW PLUG	
18	V615871014	5	SEALING WASHER [B]	
19	V500750842	2	WASHER	
20	V528801382	6	HEX CAP SCREW	
21	V836846444	1	COVER	
22	V836322852	1	GASKET [B]	
23	V615871016	1	SEALING WASHER [B]	
24	V837084973	6	PISTON COOLING JET	
25	V837084080	1	COVER	
26	V640016018	1	CUP PLUG	
27	V528801362	1	HEX CAP SCREW	
28	V837084081	1	ECU BRACKET	
29	V837084129	6	DAMPER	
30	V837069056	1	HEX CAP SCREW	
31	V640016040	1	CUP PLUG	
32	V836019756	1	PLUG	
33	V615881824	1	SEALING WASHER [B]	
34	V581804570	1	HEX SOCKET SCREW	
35	V581804182	6	HEX SOCKET SCREW	
36	V581804222	8	HEX SOCKET SCREW	
37	V837084661	1	SHIELD	
38	V837084136	2	SHIELD	
39	V615881420	1	SEALING WASHER [B]	
40	V640325014	1	PLUG	
41	V836855626	2	SPACER	
42	V836684767	1	SEALING WASHER [B]	
43		1	SEE PAGE 01-0021	
44		1	SEE PAGE 01-0021	
45		1	SEE PAGE 01-0021	

Fendt

6335C PL-I COMBINE (STAGE 4 / TIER 4F) (ZN205641X03020001-999)

6246527

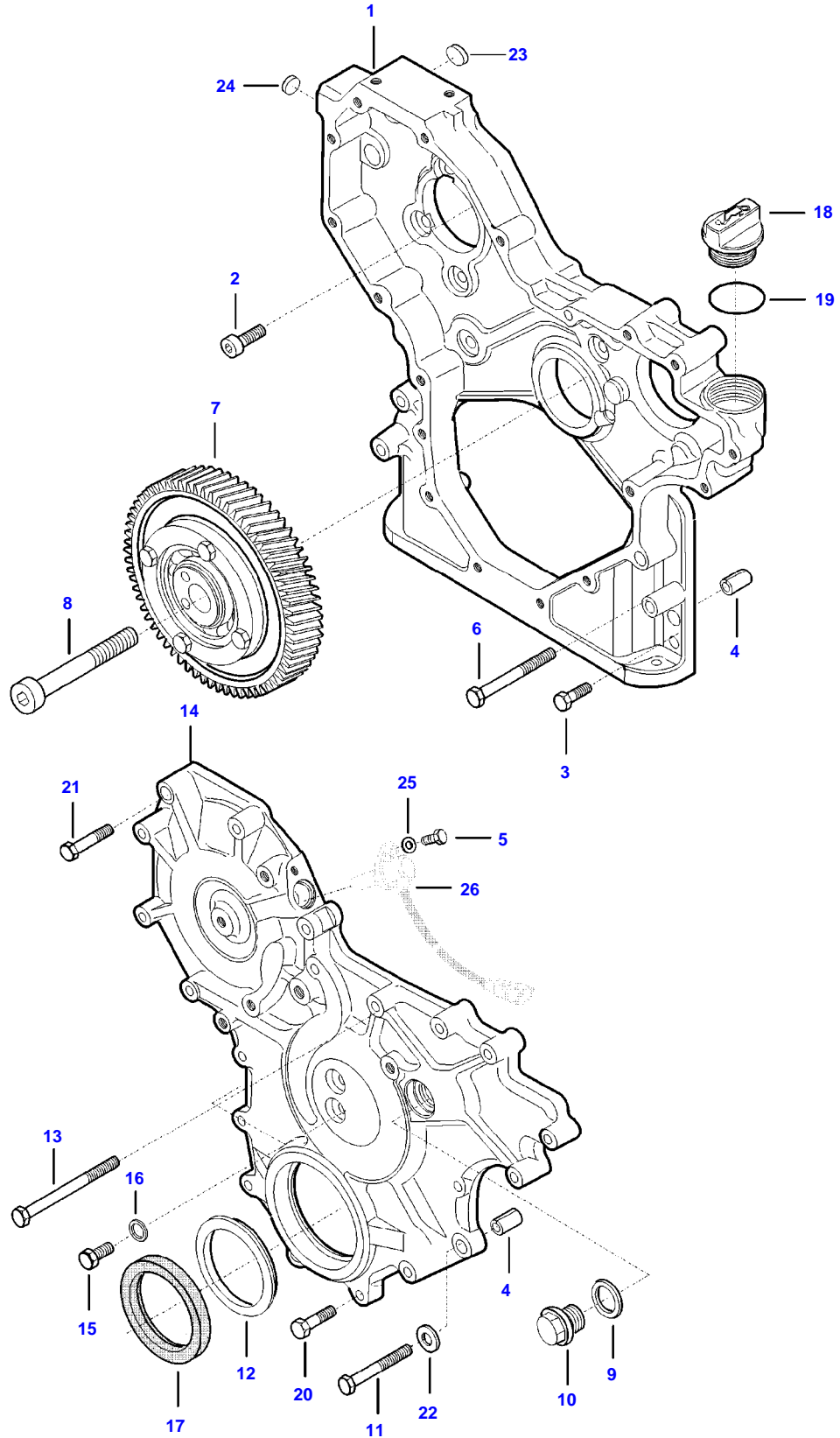
CYLINDER BLOCK - HYDRAULIC LASH ADJUSTMENT

Page01-0002

Item	Part Number	Qty	Description	Technical Specification
			Comments	
			[B] INCLUDED IN COMPLETE ENGINE GASKET KIT 2	

6335C PL-I COMBINE (STAGE 4 / TIER 4F) (ZN205641X03020001-999)
AP2D1025

AP2D1025



TIMING GEARS AND HOUSING

Item	Part Number	Qty	Description Comments
1	V837074705	1	TIMING GEAR CASE
2	V581704600	10	HEX SOCKET SCREW
3	V528801402	2	HEX CAP SCREW
4	V598359850	3	PIN
5	V528801062	1	HEX CAP SCREW
6	V529801472	3	HEX CAP SCREW
7	V837073583	1	IDLER GEAR
8	V581705910	1	HEX SOCKET SCREW
9	V615882227	1	SEALING WASHER [B]
10	V640045022	1	PLUG
11	V529801522	1	HEX CAP SCREW
12	V836855636	1	SHIELD
13	V529801542	1	HEX CAP SCREW
14	V837074707	1	GEAR HOUSING FRONT COVER
15	V528801382	2	HEX CAP SCREW
16	V615870814	2	SEALING WASHER [B]
17	V836840883	1	CRANKSHAFT SEAL [B]
18	V837081106	1	OIL FILLER CAP
19	V614603540	1	O-RING [B]
20	V528801412	7	HEX CAP SCREW
21	V529801442	10	HEX CAP SCREW
22	V836120989	1	WASHER
23	V640016020	1	CUP PLUG
24	V640016016	1	CUP PLUG
25	V500150642	1	WASHER
26		1	SEE PAGE 01-0021 [B] INCLUDED IN COMPLETE ENGINE GASKET KIT 2

FLYWHEEL AND HOUSING

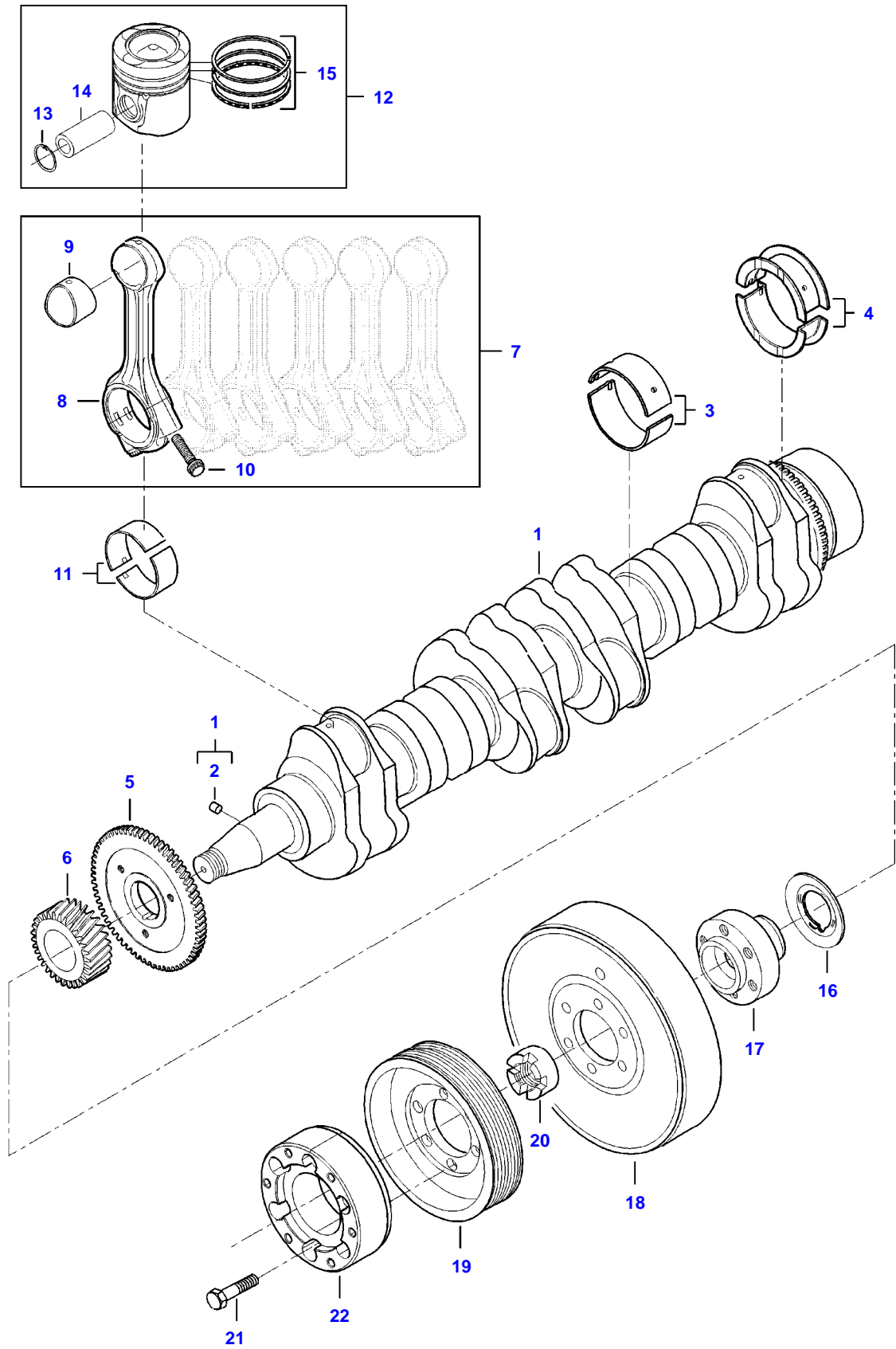
Item	Part Number	Qty	Description Comments
1	V836647440	1	FLYWHEEL HOUSING
2	V837091173	1	CRANKSHAFT SEAL [B]
3	V546801810	3	STUD BOLT
4	V500951002	6	SPRING WASHER
5	V504601002	3	NUT
6	V598359850	2	PIN
7	V528702220	6	HEX CAP SCREW
8	V581705030	6	HEX SOCKET SCREW
9	V836864270	1	FLYWHEEL
10	V836117970	1	STARTER RING (9)
11	V581705440	2	HEX SOCKET SCREW
12	V640045126	1	PLUG
13	V836019756	1	PLUG
14	V528702620	8	HEX CAP SCREW
15	V836859311	1	PLUG
16	V500951202	6	SPRING WASHER
17		1	

SEE PAGE 01-0023

[B] INCLUDED IN COMPLETE ENGINE GASKET KIT 2

6335C PL-I COMBINE (STAGE 4 / TIER 4F) (ZN205641X03020001-999)
AP4F1882

AP4F1882

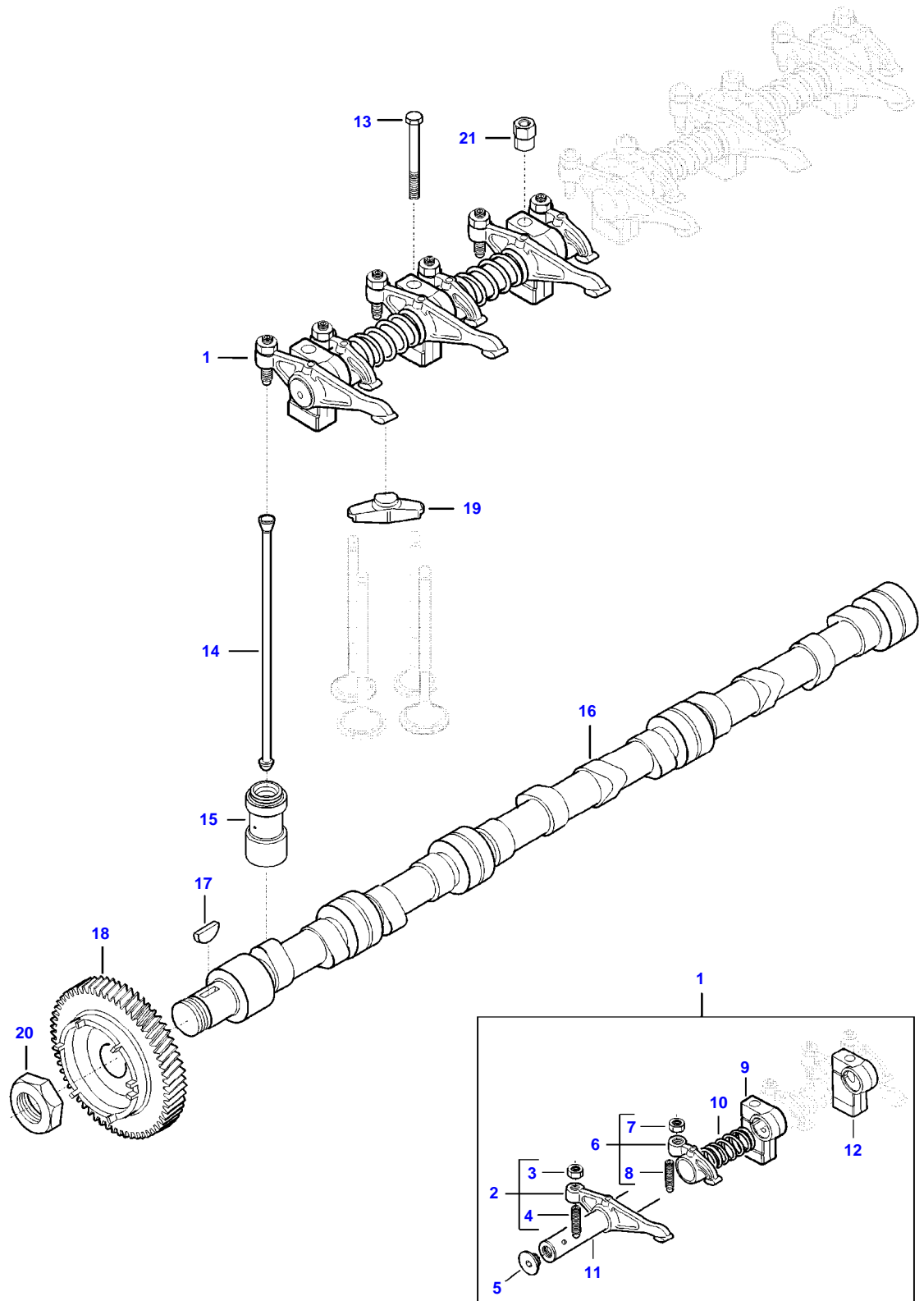


CRANKSHAFT AND PISTONS

Item	Part Number	Qty	Description Comments	Technical Specification
1	V837073996	1	CRANKSHAFT	
2	V836867857	1	KEY (1)	
3	V836840944	6	MAIN BEARING	STD
4	V836879152	1	MAIN BEARING	STD
5	V836874040	1	GEAR,CRANKSHAFT	
6	V837073560	1	GEAR,CRANKSHAFT	
7	V837079475	1	CONNECTING ROD KIT	
8		6	NOT AVAILABLE AS SINGLE PART (7)	
9	V836864288	6	BEARING BUSH (7),(8)	
10	V836873510	12	CONNECTING ROD BOLT (7),(8)	
11	V837062996	6	CONROD BEARING	
12	V837086083	6	PISTON	
13		12	NOT AVAILABLE AS SINGLE PART (12)	
14		6	NOT AVAILABLE AS SINGLE PART (12)	
15	V837079459	6	PISTON RING KIT (12)	
16	ACW3520650	1	RING	
17	V837073679	1	CRANKSHAFT HUB	
18	V836884616	1	CRANKSHAFT VIBRATION DAMPENER	
19	V836855690	1	CRANKSHAFT PULLEY	
20	V836847641	1	CRANKSHAFT NUT	
21	V581705490	6	HEX SOCKET SCREW	
22	V837070345	1	SPACER	

6335C PL-I COMBINE (STAGE 4 / TIER 4F) (ZN205641X03020001-999)
AP5F1873

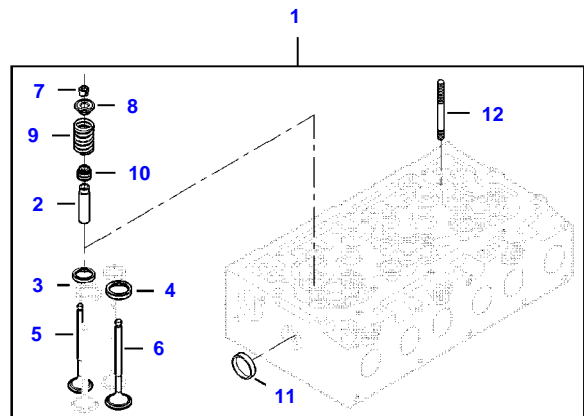
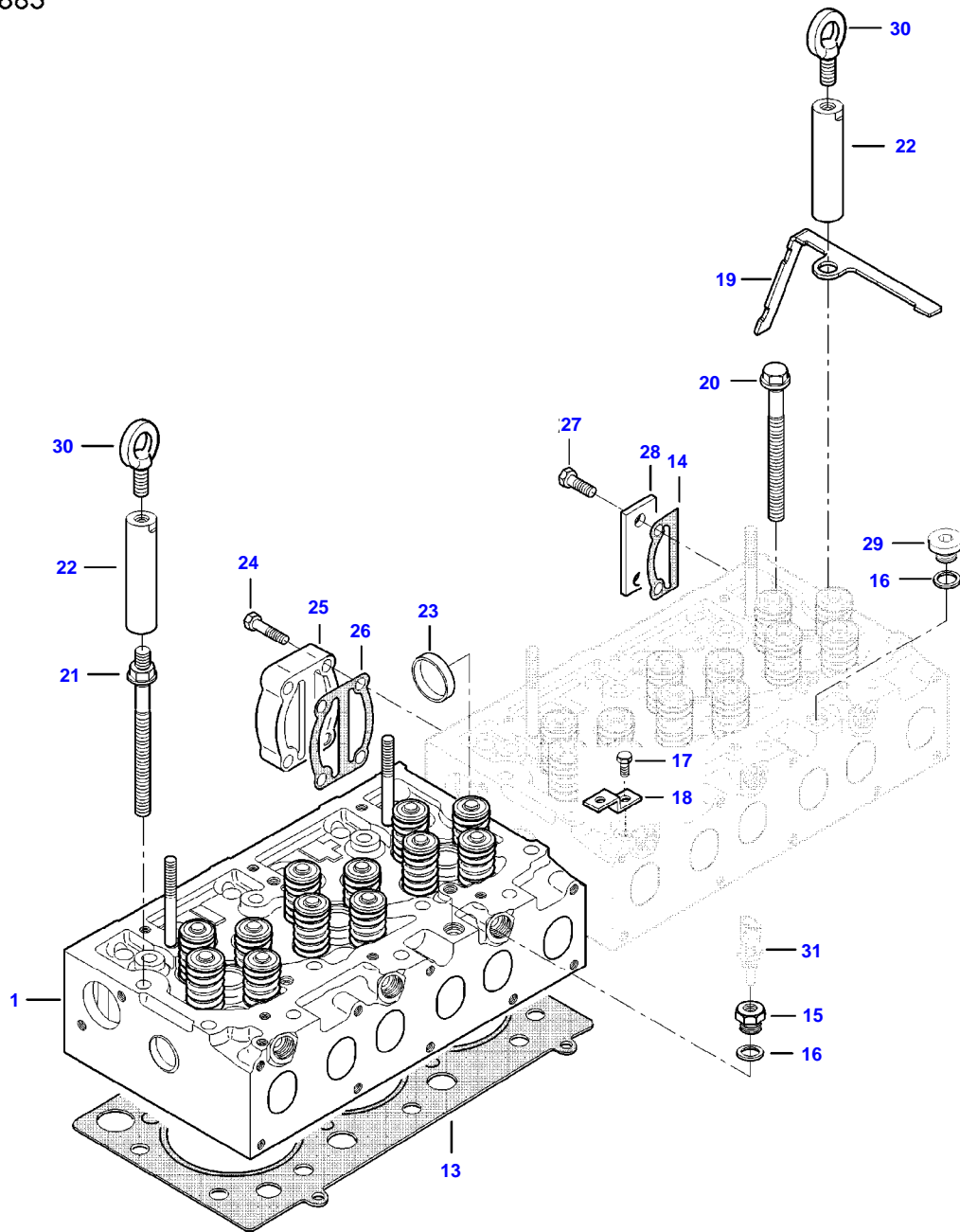
AP5F1873



Item	Part Number	Qty	Description Comments	Technical Specification
1	V837069016	2	ROCKER SHAFT ASM	
2	V837069011	6	ROCKER ARM (1)	
3	V512861000	6	NUT (1),(2)	
4	V837069023	6	VALVE ROCKER ADJUSTMENT SCREW (1),(2)	
5	V837069020	4	PLUG (1)	
6	V837069013	6	ROCKER ARM (1)	
7	V512861000	6	NUT (1),(6)	
8	V837069023	6	VALVE ROCKER ADJUSTMENT SCREW (1),(6)	
9	V837069018	2	ROCKER SHAFT BRACKET (1)	
10	V837069019	4	SPRING (1)	
11	V837069015	2	SHAFT (1)	
12	V837069017	4	ROCKER SHAFT BRACKET (1)	
13	V529801912	2	HEX CAP SCREW	
14	V837084417	12	PUSH ROD	
15	V837084421	12	TAPPET	HLA
16	V837069101	1	CAMSHAFT	
17	V603305760	1	WOODRUFF KEY	
18	V837073562	1	GEAR,CAMSHAFT	
19	V837073089	12	VALVE BRIDGE	
20	V837069085	1	NUT	
21	V836655406	4	SLEEVE NUT	

6335C PL-I COMBINE (STAGE 4 / TIER 4F) (ZN205641X03020001-999)
AP6F1883

AP6F1883



CYLINDER HEAD

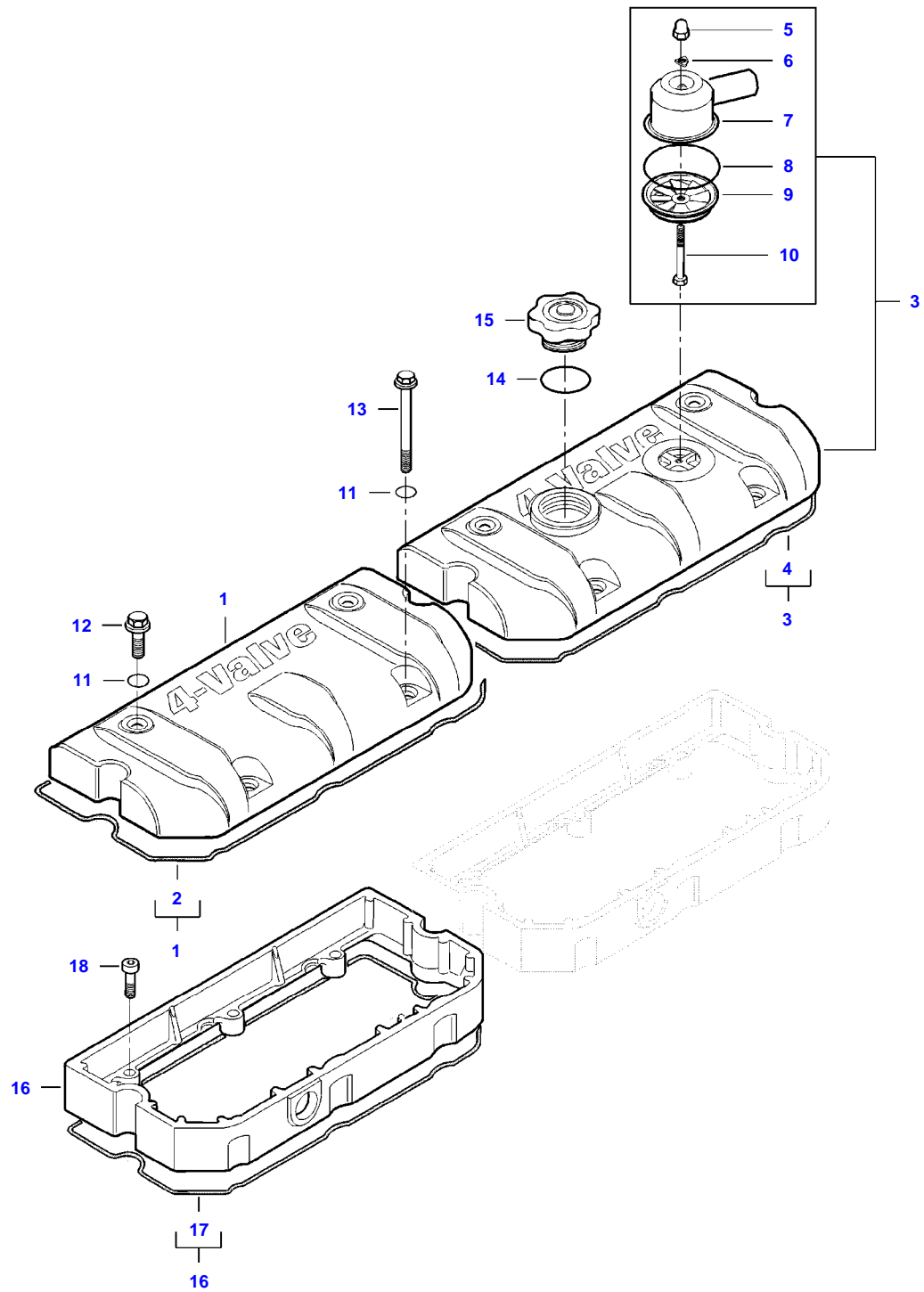
Item	Part Number	Qty	Description Comments	Technical Specification
1	V837073233	2	CYLINDER HEAD	
2	V837073174	24	VALVE GUIDE (1)	
3	V837064907	12	VALVE SEAT (1)	STD 4V EXHAUST
4	V837064908	12	VALVE SEAT (1)	STD 4V INTAKE
5	V837069002	12	EXHAUST VALVE (1)	
6	V837069003	12	INTAKE VALVE (1)	
7	V837064910	48	COTTER (1)	
8	V837069004	24	SPRING PLATE (1)	
9	V837069005	24	VALVE SPRING (1)	
10	V837073165	24	VALVE STEM GASKET (1)	
11	V836647942	8	CUP PLUG (1)	
12	V546901900	4	STUD BOLT (1)	
13	V837084523	2	CYLINDER HEAD GASKET [A]	
14	V836867753	2	GASKET [A]	
15	V837086509	1	THREADED NIPPLE	
16	V836684772	2	SEALING WASHER [A]	
17	V528801360	1	HEX CAP SCREW	
18	V836747849	1	SUPPORT	
19	V837086340	1	WIRE HARNESS SUPPORT	
20	V837069025	27	CYLINDER HEAD BOLT	
21	V837073571	7	CYLINDER HEAD BOLT	
22	V836867567	2	LIFTING EYE EXTENSION	
23	V640016045	1	CUP PLUG	
24	V528801820	4	HEX CAP SCREW	
25	V836855348	1	CONNECTION FLANGE	
26	V836867752	1	GASKET [A]	
27	V528801800	4	HEX CAP SCREW	
28	V836855350	2	BLOCK OFF PLATE	
29	V640325018	1	PLUG	
30	V836640752	2	LIFT EYE	
31		1		

SEE PAGE 01-0021

[A] INCLUDED IN CYLINDER HEAD GASKET KIT 1

6335C PL-I COMBINE (STAGE 4 / TIER 4F) (ZN205641X03020001-999)
AP35F1884

AP35F1884

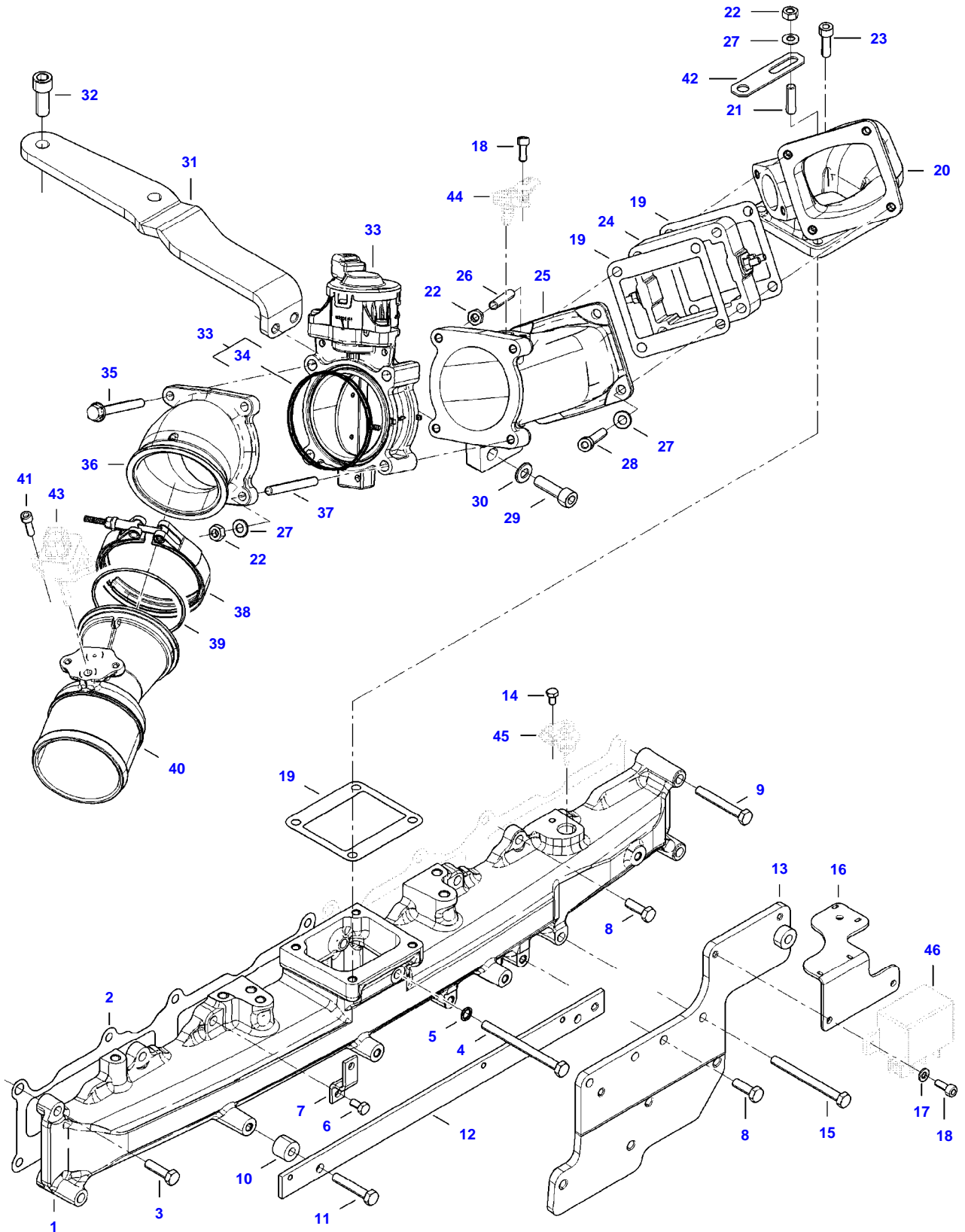


VALVE ROCKER COVER

Item	Part Number	Qty	Description Comments
1	V837084117	1	VALVE ROCKER COVER
2	V837067881	1	VALVE ROCKER COVER GASKET (1) [A][C]
3	V837086524	1	VALVE ROCKER COVER
4	V837067881	1	VALVE ROCKER COVER GASKET (3) [A][C]
5	V519600602	1	NUT (3)
6	V836684766	1	SEALING WASHER (3)
7	V837070442	1	BREATHER CAP (3)
8	V614605930	1	O-RING (3)
9	V837070443	1	BREATHER (3)
10	V528801172	1	HEX CAP SCREW (3)
11	V614901030	8	O-RING [A][C]
12	V540801782	4	HEXAGON FLANGE BOLT
13	V540801912	4	HEXAGON FLANGE BOLT
14	V614704850	1	O-RING [A]
15	V836659968	1	OIL FILLER CAP
16	V837084220	2	VALVE ROCKER COVER FRAME
17	V837067881	2	VALVE ROCKER COVER GASKET (16) [A]
18	V581804632	6	HEX SOCKET SCREW [A] INCLUDED IN CYLINDER HEAD GASKET KIT 1 [C] INCLUDED IN VALVE ADJUSTING GASKET KIT 3

6335C PL-I COMBINE (STAGE 4 / TIER 4F) (ZN205641X03020001-999)
AP7F2613

AP7F2613

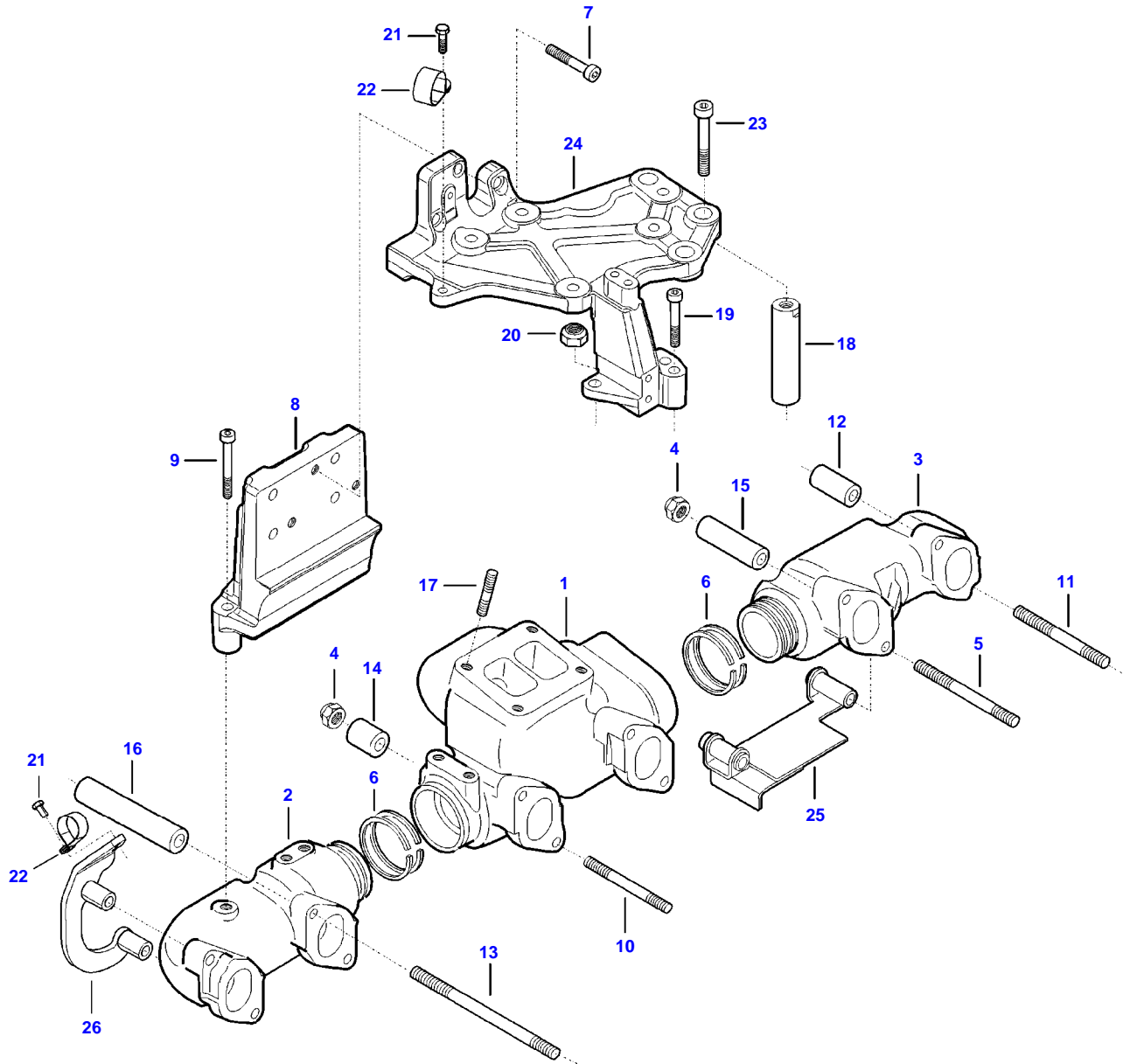


INTAKE MANIFOLD

Item	Part Number	Qty	Description Comments
1	V837084030	1	INTAKE MANIFOLD
2	V837069009	2	INTAKE MANIFOLD GASKET [A]
3	V528801412	7	HEX CAP SCREW
4	V529801552	1	HEX CAP SCREW
5	V836684767	1	SEALING WASHER [A]
6	V528801422	1	HEX CAP SCREW
7	V836747849	1	SUPPORT
8	V528801402	4	HEX CAP SCREW
9	V529801472	3	HEX CAP SCREW
10	V836119384	2	SPACER PIECE
11	V529801442	2	HEX CAP SCREW
12	V837073959	1	SUPPORT
13	V837074029	1	BRACKET
14	V528801052	1	HEX CAP SCREW
15	V529801532	2	HEX CAP SCREW
16	V837084044	1	BRACKET
17	V500150642	2	WASHER
18	V581804182	3	HEX SOCKET SCREW
19	V837067345	3	GASKET [A]
20	V837074801	1	AIR PIPE
21	V546801380	2	STUD BOLT
22	V504800800	4	NUT
23	V581804622	2	HEX SOCKET SCREW
24	V837067295	1	INTAKE AIR PREHEATER
25	V837084599	1	AIR PIPE
26	V546801470	1	STUD BOLT
27	V500150842	6	WASHER
28	V581804702	3	HEX SOCKET SCREW
29	V581805042	2	HEX SOCKET SCREW
30	V500151050	2	WASHER
31	V837084239	1	SUPPORT
32	V581705430	2	HEX SOCKET SCREW
33	V837084452	1	THROTTLE FLAP
34	V837079849	2	GASKET (33) [A]
35	V540801492	3	HEXAGON FLANGE BOLT
36	V837084748	1	AIR PIPE
37	V546801480	1	STUD BOLT
38	V837074814	1	V CLAMP
39	V614708625	1	O-RING
40	V837084709	1	BOOST PIPE
41	V581804202	2	HEX SOCKET SCREW
42	V837088243	1	BRACKET
43		1	SEE PAGE 01-0021
44		1	SEE PAGE 01-0021
45		1	SEE PAGE 01-0021
46		1	SEE PAGE 01-0021 [A] INCLUDED IN CYLINDER HEAD GASKET KIT 1

6335C PL-I COMBINE (STAGE 4 / TIER 4F) (ZN205641X03020001-999)
AP8F1394

AP8F1394

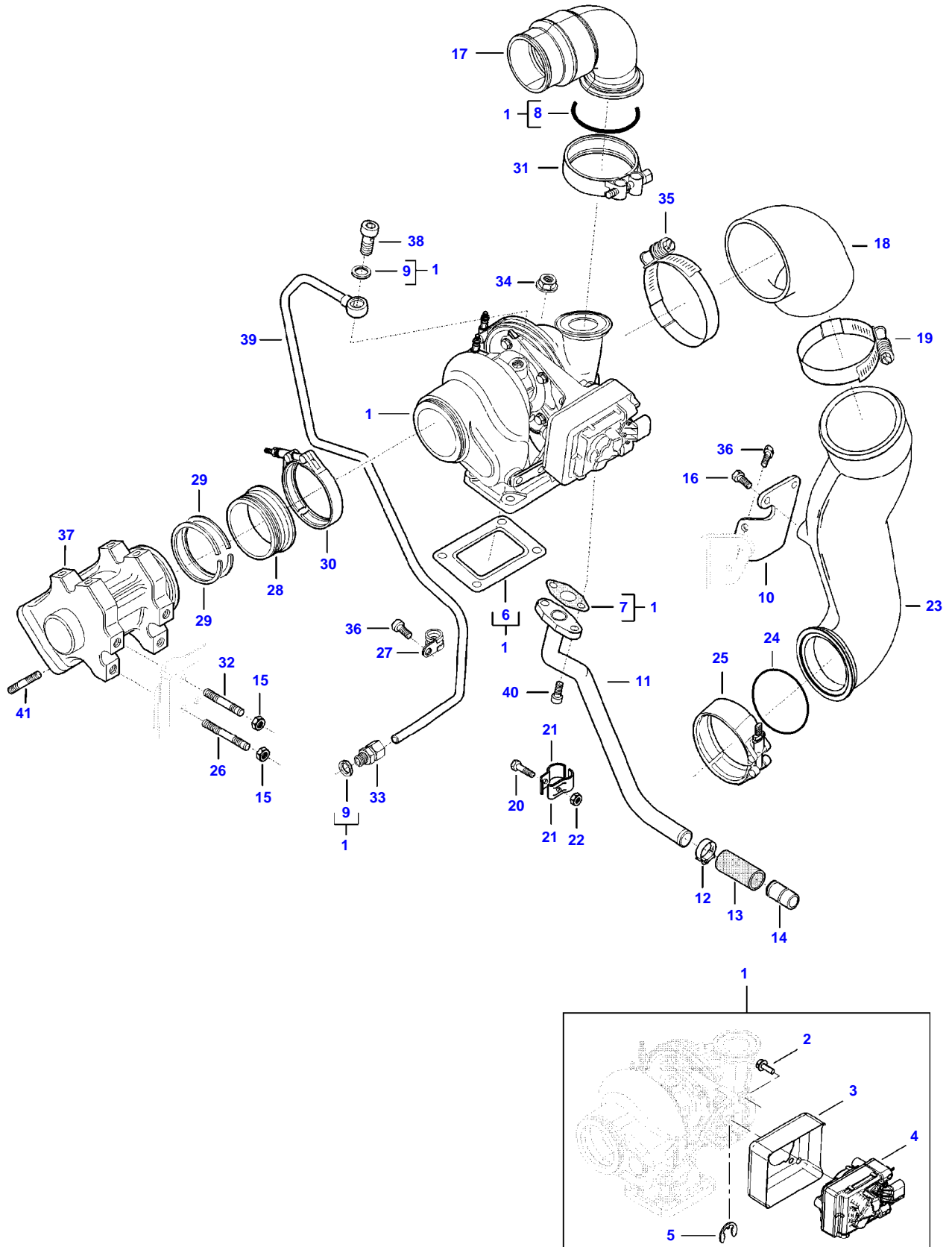


Item	Part Number	Qty	Description Comments
1	V837086361	1	EXHAUST MANIFOLD
2	V837086151	1	EXHAUST MANIFOLD
3	V837086150	1	EXHAUST MANIFOLD
4	V513601002	12	NUT
5	V836859188	6	STUD BOLT
6	V837073503	4	SEALING RING [A]
7	V581705050	3	HEX SOCKET SCREW
8	V837086007	1	BRACKET
9	V581705090	3	HEX SOCKET SCREW
10	V546701900	1	STUD BOLT
11	V546801930	1	STUD BOLT
12	V836664012	1	SPACER PIECE
13	V836667960	4	STUD BOLT
14	V835346219	2	SPACER PIECE
15	V836664013	2	SPACER PIECE
16	V837073494	2	SPACER PIECE
17	ACW3519970	4	STUD BOLT
18	V836867567	3	LIFTING EYE EXTENSION
19	V581705080	2	HEX SOCKET SCREW
20	V504601200	1	NUT
21	V581804582	3	HEX SOCKET SCREW
22	V602074635	3	HOSE CLIP
23	V581705510	3	HEX SOCKET SCREW
24	V837084630	1	BRACKET
25	V837084744	1	HEATSHIELD
26	V837084902	1	SUPPORT

[A] INCLUDED IN CYLINDER HEAD GASKET KIT 1

6335C PL-I COMBINE (STAGE 4 / TIER 4F) (ZN205641X03020001-999)
AP10F1904

AP10F1904



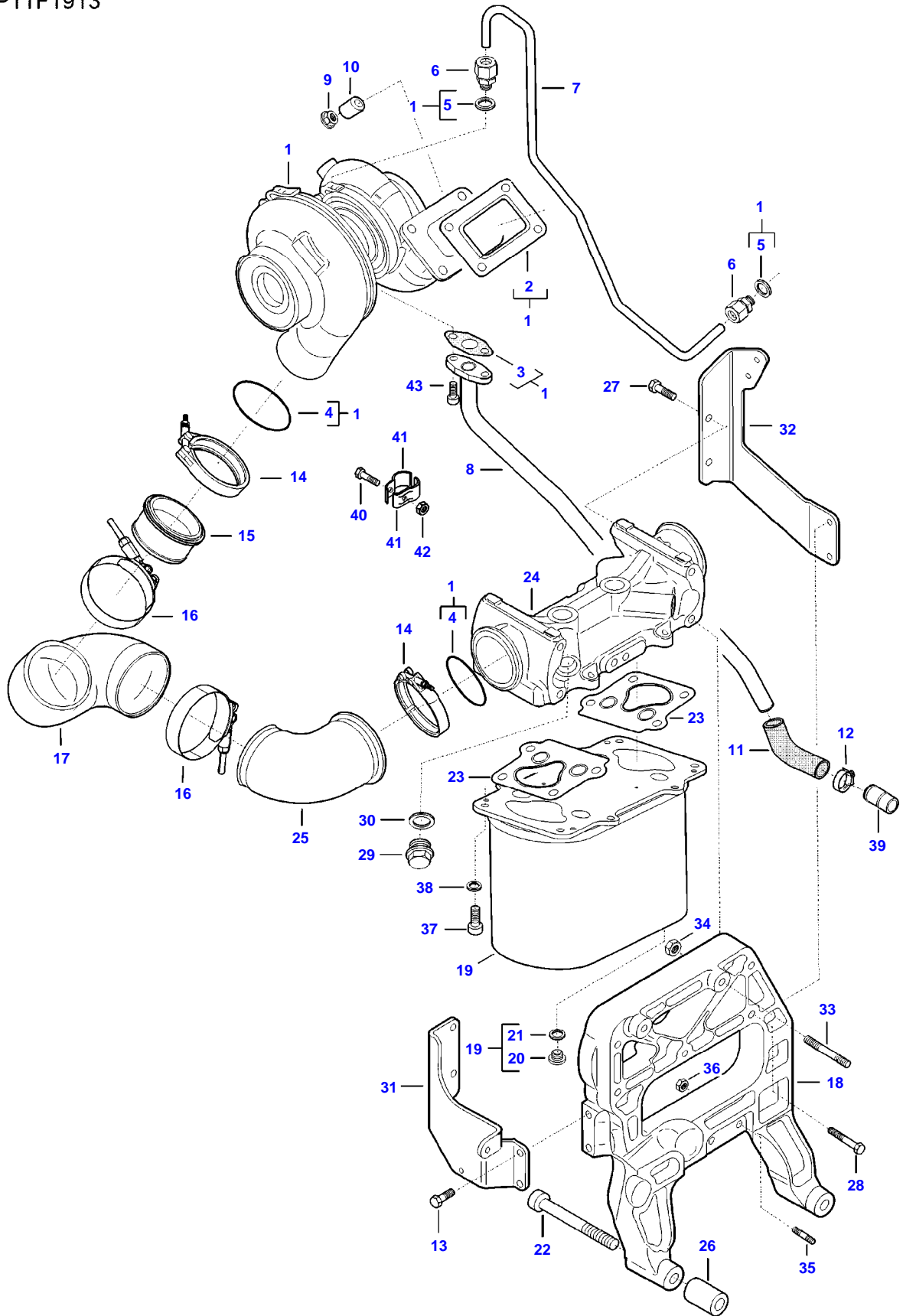
Item	Part Number	Qty	Description Comments
1	V837091235	1	TURBOCHARGER
2	V837091127	3	HEXAGON FLANGE BOLT (1)
3	V837091123	1	HEATSHIELD (1)
4	V837091110	1	ACTUATOR (1)
5	V837079945	1	LOCK RING (1) [C]
6	V836886358	1	GASKET (1) [A]
7	ACW3397620	1	GASKET (1) [A]
8	V614606225	1	O-RING (1) [A]
9	V615881218	3	SEALING WASHER (1) [A]
10	V837084730	1	BRACKET
11	V837084636	1	TURBOCHARGER LUBRICATION OIL PIPE
12	ACW1366940	2	HOSE CLIP
13	ACW2345560	1	RUBBER HOSE
14	V837084241	1	OIL PIPE
15	V513601002	4	NUT
16	V528801382	2	HEX CAP SCREW
17	V836866381	1	BOOST PIPE
18	V837084886	1	RUBBER ELBOW
19	V602084795	1	HOSE CLIP
20	V529801112	2	HEX CAP SCREW
21	V836773645	4	PIPE CLAMP HALF
22	V510600602	2	NUT
23	V837084884	1	AIR PIPE
24	V614707625	1	O-RING [A][C]
25	V837074813	1	V CLAMP
26	V546801860	2	STUD BOLT
27	V602060608	1	RETAINER CLAMP
28	V837084539	1	SLEEVE
29	V837084540	2	SEALING RING [A]
30	V837074811	1	V CLAMP
31	V836866454	1	V CLAMP
32	V546801840	2	STUD BOLT
33	V641086008	1	STRAIGHT FITTING
34	V836859110	4	NUT
35	V602084783	1	HOSE CLIP
36	V528801362	3	HEX CAP SCREW
37	V837086356	1	CONNECTION FLANGE
38	V837084078	1	BANJO BOLT
39	V837084919	1	TURBOCHARGER LUBRICATION OIL PIPE
40	V581804602	2	HEX SOCKET SCREW
41	ACW3519970	4	STUD BOLT

[A] INCLUDED IN CYLINDER HEAD GASKET KIT 1

[C] INCLUDED IN VALVE ADJUSTING GASKET KIT 3

6335C PL-I COMBINE (STAGE 4 / TIER 4F) (ZN205641X03020001-999)
AP11F1913

AP11F1913



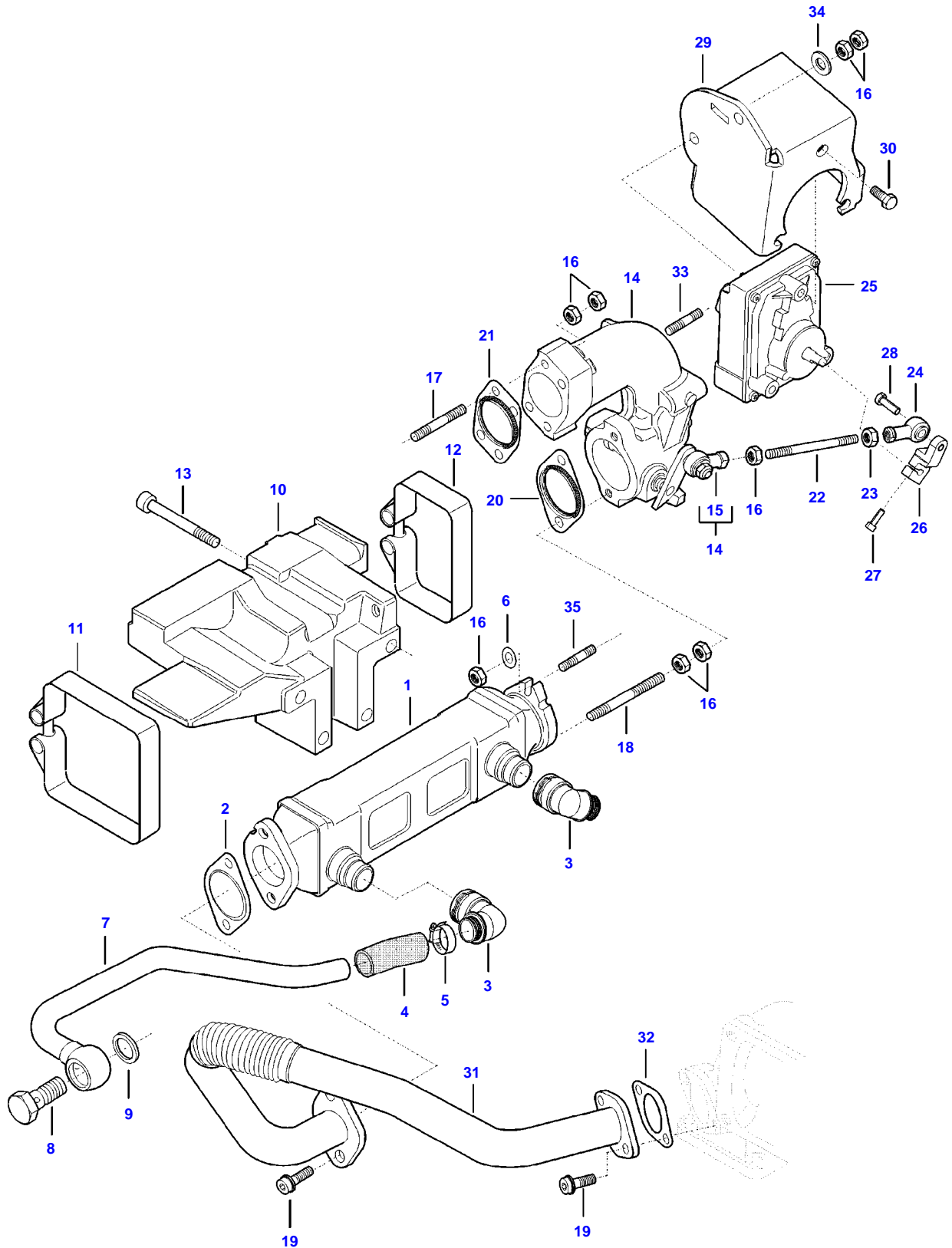
Item	Part Number	Qty	Description Comments
1	V837091237	1	KIT, TURBOCHARGR
2	V836886359	1	GASKET (1) [A]
3	ACW3397620	1	GASKET (1) [A][C]
4	V614707625	2	O-RING (1) [A][C]
5	V615881418	2	SEALING WASHER (1) [A]
6	V641086010	2	STRAIGHT FITTING
7	V837084057	1	TURBOCHARGER LUBRICATION OIL PIPE
8	V837084058	1	TURBOCHARGER LUBRICATION OIL PIPE
9	V836859110	4	NUT
10	V836667196	4	SPACER PIECE
11	V837084406	1	RUBBER ELBOW
12	ACW1366960	2	HOSE CLIP
13	V528801382	4	HEX CAP SCREW
14	V837074813	2	V CLAMP
15	V837086463	1	AIR PIPE
16	V837086464	2	T-BOLT CLAMP
17	V837086063	1	AIR HOSE
18	V837084458	1	BRACKET
19	V837084506	1	CHARGE AIR COOLER
20	V640305012	1	PLUG (19)
21	V615881216	1	SEALING WASHER (19) [A]
22	V581705990	2	HEX SOCKET SCREW
23	V837084507	2	GASKET [A]
24	V837086481	1	HOUSING
25	V837086413	1	AIR PIPE
26	V836859130	2	SPACER PIECE
27	V528801402	4	HEX CAP SCREW
28	V529801482	5	HEX CAP SCREW
29	V640045126	4	PLUG
30	V836684775	4	SEALING WASHER [A]
31	V837084460	1	SUPPORT
32	V837084729	1	BRACKET
33	V546901900	2	STUD BOLT
34	V513601002	2	NUT
35	V546801410	2	STUD BOLT
36	V504800800	2	NUT
37	V581704620	8	HEX SOCKET SCREW
38	V500150842	8	WASHER
39	V837084241	1	OIL PIPE
40	V529801112	2	HEX CAP SCREW
41	V836773645	4	PIPE CLAMP HALF
42	V510600602	2	NUT
43	V581804602	2	HEX SOCKET SCREW

[A] INCLUDED IN CYLINDER HEAD GASKET KIT 1

[C] INCLUDED IN VALVE ADJUSTING GASKET KIT 3

6335C PL-I COMBINE (STAGE 4 / TIER 4F) (ZN205641X03020001-999)
AP12G1242

AP12G1242



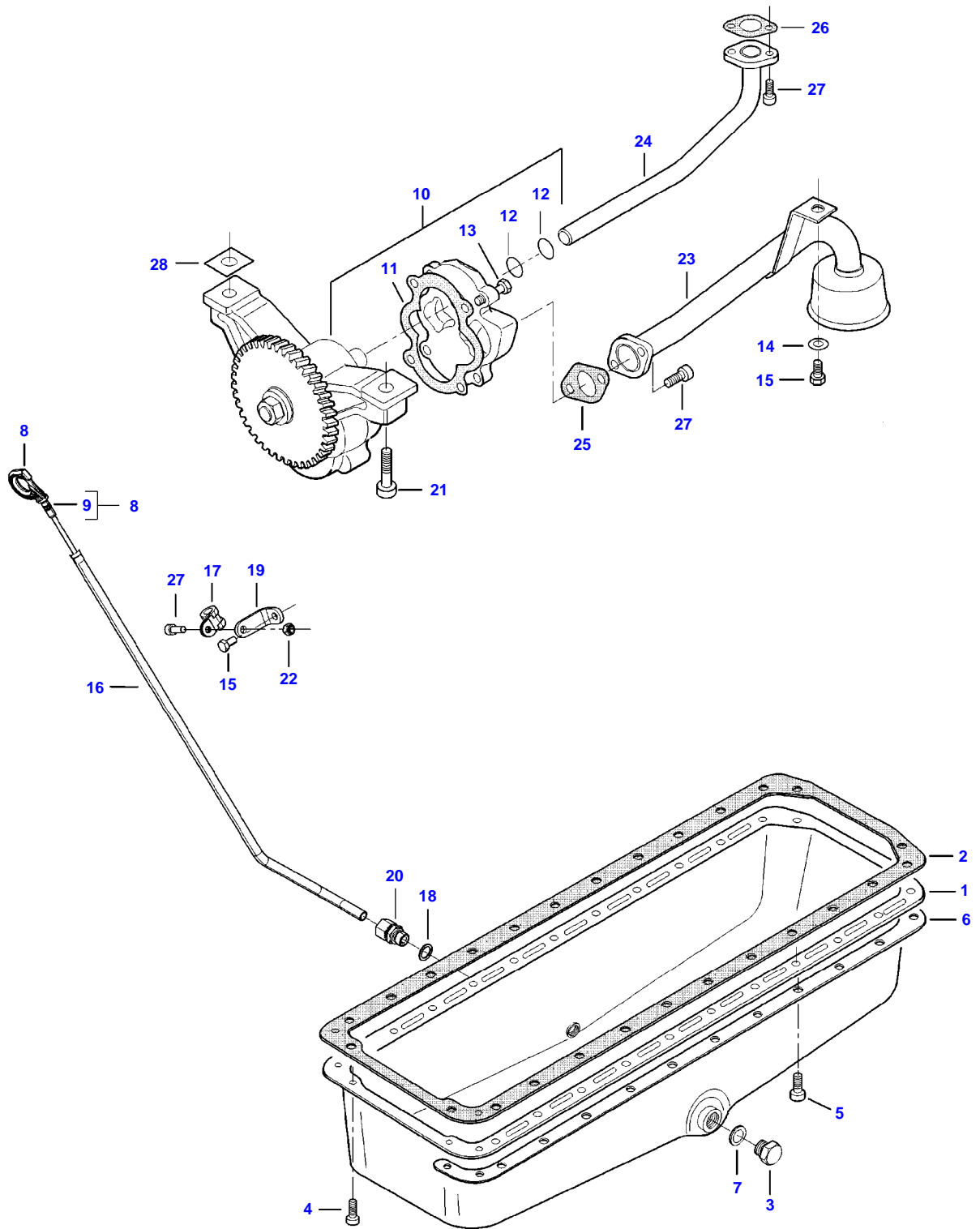
Item	Part Number	Qty	Description Comments
1	V837074869	1	EGR COOLER
2	V837074972	1	GASKET [A][C]
3	V837074870	2	HOSE COUPLER
4	V837086286	1	RUBBER HOSE
5	ACW1366990	2	HOSE CLIP
6	V500150842	1	WASHER
7	V837074499	1	WATER PIPE
8	V640435028	1	BANJO BOLT
9	V836684777	2	SEALING WASHER [A]
10	V837084348	1	BRACKET
11	V837084475	1	CLAMP
12	V837084476	1	CLAMP
13	V581705110	4	HEX SOCKET SCREW
14	V837074722	1	EGR VALVE
15	V837079691	1	UNION (14)
16	V504800800	16	NUT
17	V546701440	4	STUD BOLT
18	V546801492	1	STUD BOLT
19	V588704600	4	HEX SOCKET SCREW
20	V837084664	1	GASKET [A]
21	V837084663	1	GASKET [A]
22	V837074902	1	ROD
23	V527650802	1	NUT
24	V837073478	1	CONNECTOR
25	V837084781	1	ACTUATOR
26	V837086024	1	LEVER
27	V581804202	1	HEX SOCKET SCREW
28	V577904620	1	HEX SOCKET SCREW
29	V837074867	1	BRACKET
30	V528801362	3	HEX CAP SCREW
31	V837074541	1	PIPE
32	V837074977	1	GASKET [A][C]
33	V546801400	2	STUD BOLT
34	V836120989	2	WASHER
35	V546801380	1	STUD BOLT

[A] INCLUDED IN CYLINDER HEAD GASKET KIT 1

[C] INCLUDED IN VALVE ADJUSTING GASKET KIT 3

6335C PL-I COMBINE (STAGE 4 / TIER 4F) (ZN205641X03020001-999)
AP13F2279

AP13F2279

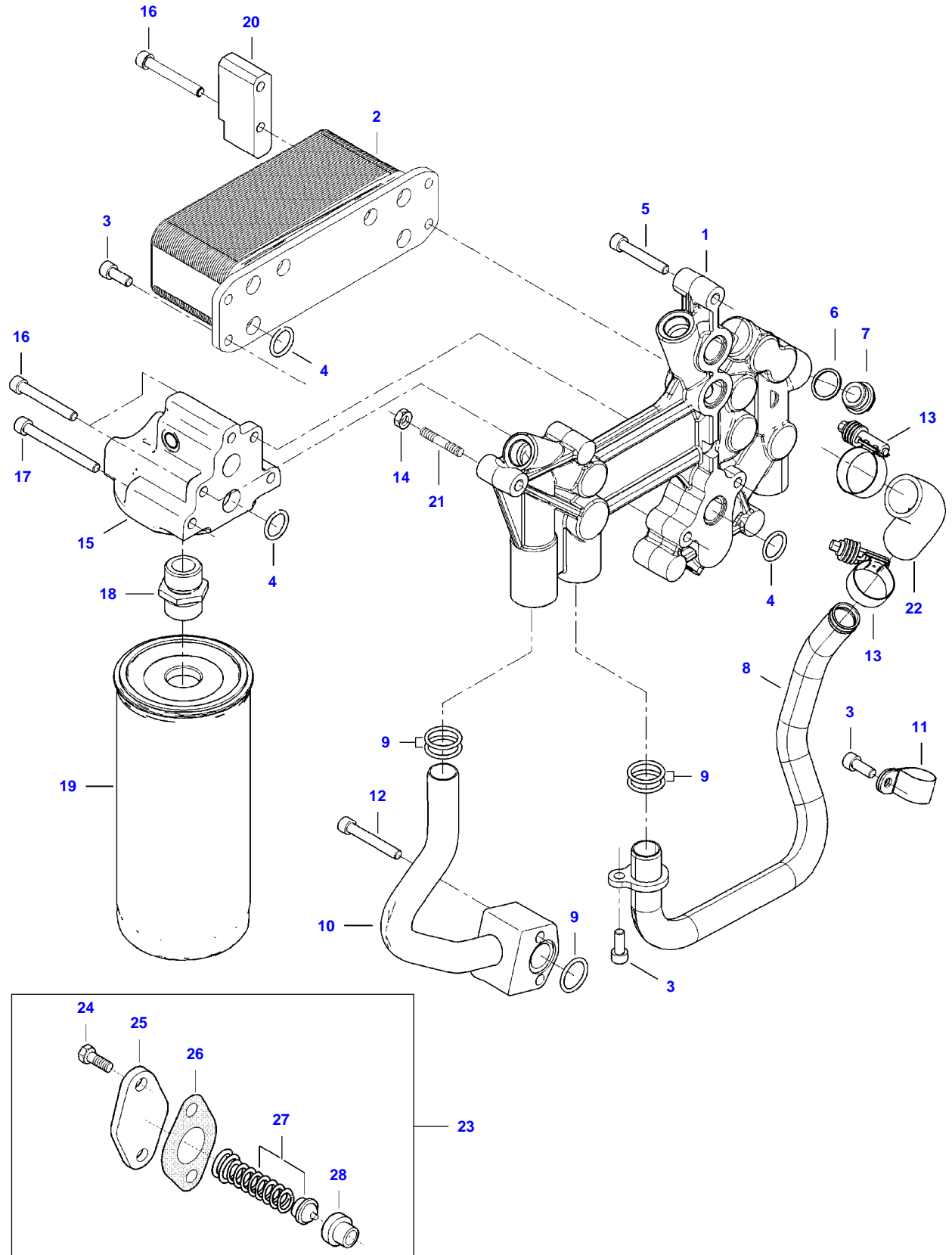


OIL PUMP AND SUMP

Item	Part Number	Qty	Description Comments
1	V836347308	1	OIL SUMP
2	V837084649	1	OIL SUMP GASKET [B]
3	V640045022	1	PLUG
4	V580804632	4	HEX SOCKET SCREW
5	V580805032	24	HEX SOCKET SCREW
6	V836884833	2	PLATE
7	V615882227	1	SEALING WASHER [B]
8	V836867888	1	DIPSTICK
9	V614900615	1	O-RING (8) [B]
10	V836874208	1	OIL PUMP
11	V836338188	1	GASKET (10) [B]
12	V614702230	2	O-RING (10) [B]
13	V528801382	4	HEX CAP SCREW (10)
14	V500150842	1	WASHER
15	V528801362	2	HEX CAP SCREW
16	V837084453	1	OIL DIPSTICK GUIDE PIPE
17	V602060612	1	RETAINER CLAMP
18	V615881622	1	SEALING WASHER [B]
19	V837074686	1	SUPPORT
20	V641086012	1	STRAIGHT FITTING
21	V581805052	2	HEX SOCKET SCREW
22	V510600802	1	NUT
23	V836855674	1	OIL PUMP SUCTION PIPE
24	V837074139	1	OIL PIPE
25	V836338201	1	GASKET [B]
26	V836008449	1	GASKET [B]
27	V581804602	5	HEX SOCKET SCREW
28	V836007871		SHIM AS REQUIRED, REFER TO WORKSHOP MANUAL [B] INCLUDED IN COMPLETE ENGINE GASKET KIT 2

6335C PL-I COMBINE (STAGE 4 / TIER 4F) (ZN205641X03020001-999)
AP14F2284

AP14F2284

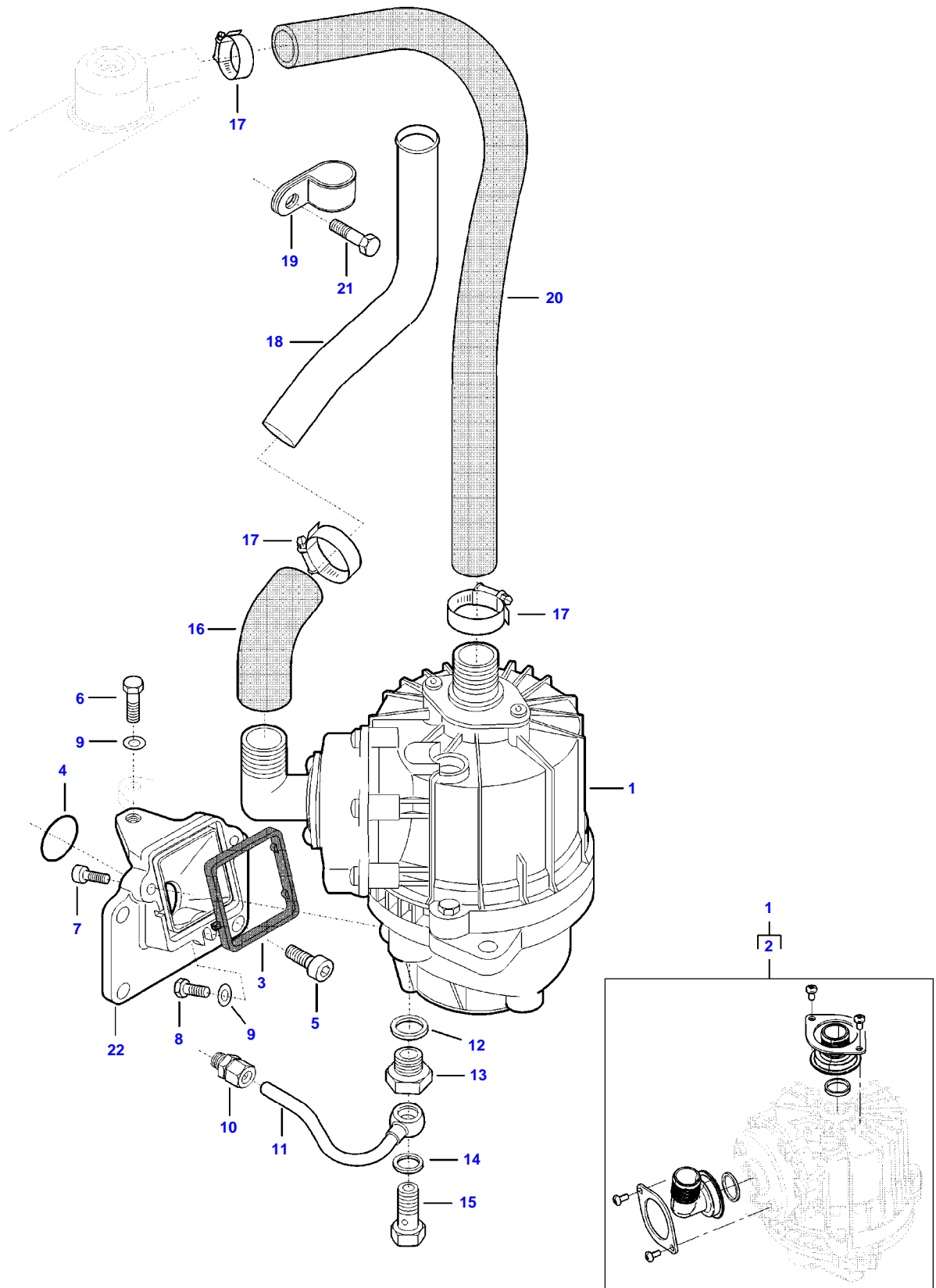


OIL COOLER AND FILTER

Item	Part Number	Qty	Description Comments
1	V837086559	1	OIL COOLER HOUSING
2	V837084028	1	OIL COOLER
3	V581804602	4	HEX SOCKET SCREW
4	V614602030	9	O-RING [B]
5	V529801452	1	HEX CAP SCREW
6	V836684773	6	SEALING WASHER [B]
7	V640045022	6	PLUG
8	V837086560	1	WATER PIPE
9	V614602430	5	O-RING [B]
10	V836884041	1	OIL PIPE
11	V602074525	1	HOSE CLIP
12	V581804682	2	HEX SOCKET SCREW
13	ACW1366990	2	HOSE CLIP
14	V504800800	1	NUT
15	V837074939	1	OIL FILTER ADAPTER
16	V581804692	4	HEX SOCKET SCREW
17	V581804732	3	HEX SOCKET SCREW
18	V837084001	1	THREADED NIPPLE
19	V837074523	1	ENGINE OIL FILTER
20	V837084917	1	SUPPORT
21	V546801452	1	STUD BOLT
22	V837084918	1	RUBBER ELBOW
23	V836662130	1	OIL PRESSURE CONTROL VALVE
24	V528801382	2	HEX CAP SCREW (23)
25	V836659524	1	COVER (23)
26	V836322190	1	GASKET (23) [B]
27		1	NOT AVAILABLE AS SINGLE PART (23)
28		1	NOT AVAILABLE AS SINGLE PART (23) [B] INCLUDED IN COMPLETE ENGINE GASKET KIT 2

6335C PL-I COMBINE (STAGE 4 / TIER 4F) (ZN205641X03020001-999)
AP15F1266

AP15F1266

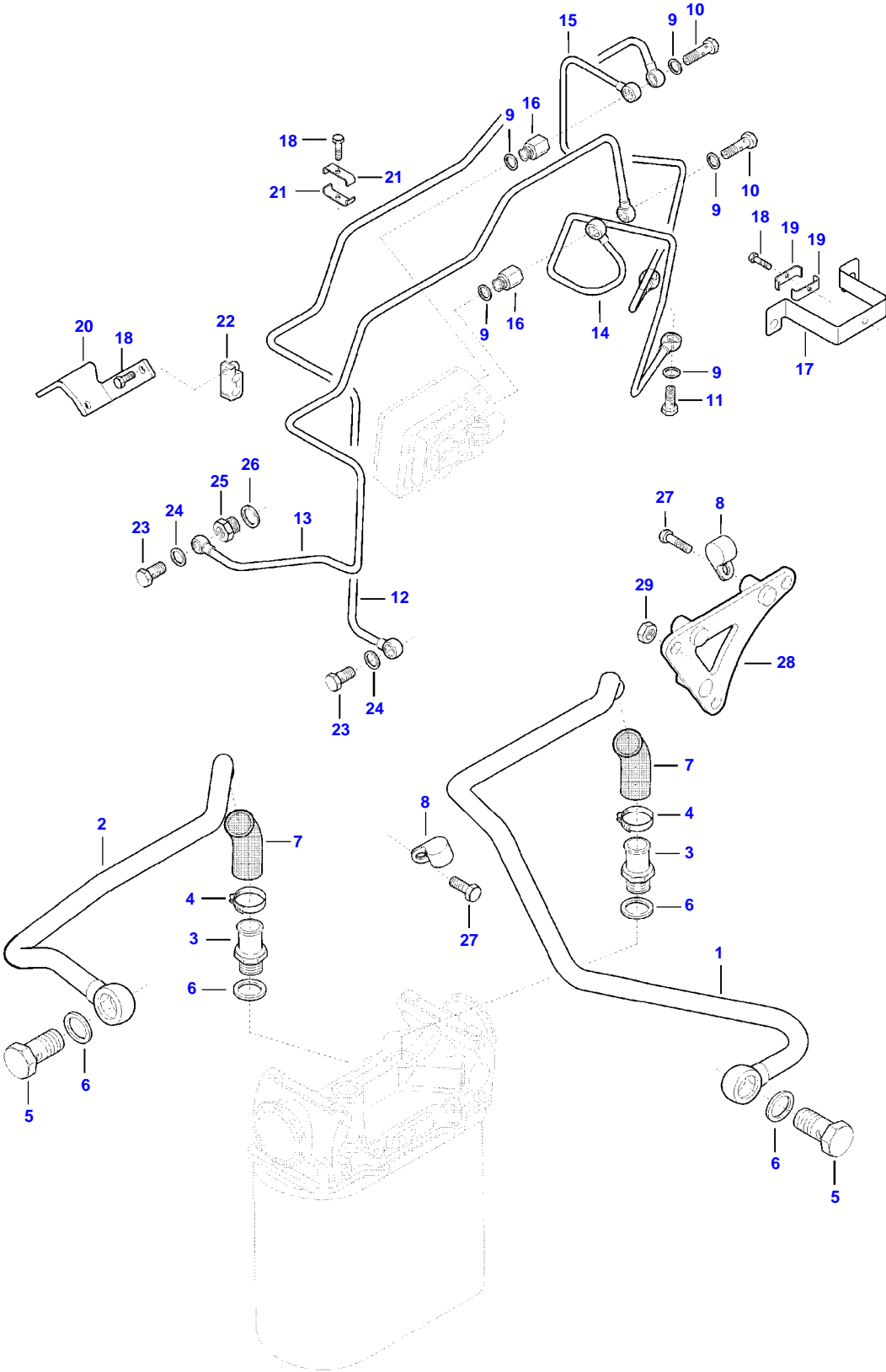


Item	Part Number	Qty	Description Comments
1	V837073734	1	CCV FILTER
2	V837091199	1	KIT,HOSE FITTING (1)
3	V837074132	1	GASKET [B]
4	V836664226	1	O-RING [B]
5	V577805002	4	HEX SOCKET SCREW
6	V528801102	1	HEX CAP SCREW
7	V581804202	2	HEX SOCKET SCREW
8	V528801082	1	HEX CAP SCREW
9	V500150642	2	WASHER
10	V641016008	1	STRAIGHT FITTING
11	V837073892	1	OIL PIPE
12	V615881822	1	SEALING WASHER [B]
13	V837086509	1	THREADED NIPPLE
14	V615881420	2	SEALING WASHER [B]
15	V640435010	1	BANJO BOLT
16	V837074038	1	BREATHER HOSE
17	V602078538	4	HOSE CLIP
18	V837073894	1	AIR PIPE
19	V602074525	1	HOSE CLIP
20	V837074052	1	HOSE
21	V529901420	1	HEX CAP SCREW
22	V837073858	1	BRACKET

[B] INCLUDED IN COMPLETE ENGINE GASKET KIT 2

6335C PL-I COMBINE (STAGE 4 / TIER 4F) (ZN205641X03020001-999)
AP16F2614

AP16F2614



Thank you so much for reading.
Please click the “Buy Now!”
button below to download the
complete manual.



After you pay.

You can download the most
perfect and complete manual in
the world immediately.

Our support email:

ebooklibonline@outlook.com