

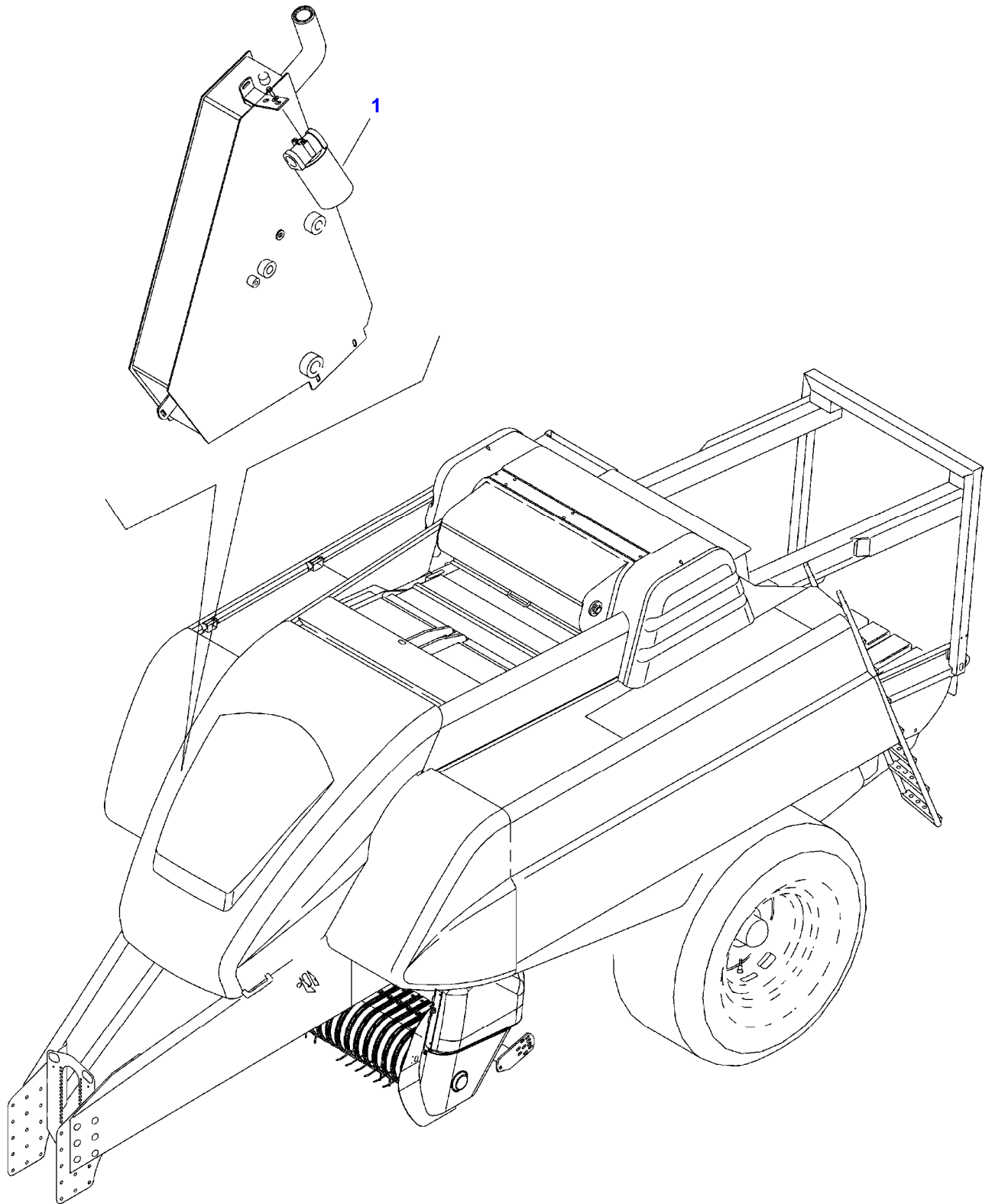
TABLE OF CONTENT

Page Number	Page Title	Page Reference
01-000-TOC	DRIVE SYSTEM	01-000-TOC
02-000-TOC	HYDRAULIC SYSTEM	02-000-TOC
03-000-TOC	ELECTRICAL SYSTEM	03-000-TOC
04-000-TOC	BALE FEEDING SYSTEM	04-000-TOC
05-000-TOC	BALE FORMING SYSTEM	05-000-TOC
06-000-TOC	BALE KNOTTING SYSTEM	06-000-TOC
07-000-TOC	BALE EJECTING SYSTEM	07-000-TOC
08-000-TOC	CHASSIS	08-000-TOC
09-000-TOC	DECALS	09-000-TOC
10-000-TOC	AXLES, SPINDLES, AND WHEELS	10-000-TOC
11-000-TOC	BRAKE SYSTEM	11-000-TOC
12-000-TOC	ACCESSORIES	12-000-TOC

DRIVE SYSTEM

Page Number	Page Title	Page Reference
01-0001	BELTS & FILTERS GUIDE	329478
01-0002	MAIN DRIVE	1629215
01-0003	CLUTCH - FLYWHEEL	T13A31M16A0004
01-0004	DRIVE SHAFT	1907437
01-0005	SECONDARY DRIVE SHAFT	T13A31M16A0006
01-0006	PRIMARY DRIVE SHAFT - CE 1-3/8 INCH X 21 SPLINE	T13A31M16A0009
01-0007	PRIMARY DRIVE SHAFT - CE 1-3/4 INCH X 20 SPLINE	T13A31M16A0010
01-0008	PRIMARY DRIVE SHAFT - CE - CE 1-3/8 INCH X 21 SPLINE WEASLER	2363616
01-0009	PRIMARY DRIVE SHAFT - CE 1-3/4 INCH X 20 SPLINE WEASLER	2363617
01-0010	BRAKE - FLYWHEEL	T13A31M16A0011
01-0011	MOUNTING - FLYWHEEL	T13A31M16A0012
01-0012	MOUNTING - GEARBOX	1908058
01-0013	GEARBOX ASSEMBLY	T13A31M16A0014
01-0014	AUXILIARY DRIVE - LEFT HAND	T13A31M16A0015
01-0015	AUXILIARY DRIVE - RIGHT HAND PACKER OR CUTTER	T13A31M16A0016
01-0016	SHAFT AND SPROCKET - AUXILIARY	T13A31M16A0017
01-0017	SLIP CLUTCH - AUXILIARY PACKER OR CUTTER	T13A31M16A0018
01-0018	AUXILIARY DRIVE - RIGHT HAND PACKER CUTTER	T13A31M16A0019
01-0019	TENSIONER PACKER CUTTER	T13A31M16A0020
01-0020	SLIP CLUTCH - AUXILIARY PACKER CUTTER	T13A31M16A0021
01-0021	DRIVE - CUTTER	1911489
01-0022	GEARBOX ASSEMBLY - CUTTER	T13A31M16A0023
01-0023	SLIP CLUTCH - CUTTER	1911493
01-0024	CHAIN LUBE PACKER OR PACKER CUTTER EARLIER	1499708
01-0025	CHAIN LUBE - CUTTER EARLIER	1908448
01-0026	CHAIN LUBE PACKER OR PACKER CUTTER LATER	1957816
01-0027	CHAIN LUBE - CUTTER LATER	1957817
01-0028	PUMP - CHAIN LUBE EARLIER	1930170
01-0029	PUMP - CHAIN LUBE LATER	1957818

990N / 990S / 990R LARGE RECTANGULAR BALERS (S.N. GHBXX101 AND LATER)
1791895-H-1



Fendt

990N / 990S / 990R LARGE RECTANGULAR BALERS (S.N. GHBXX101 AND LATER)

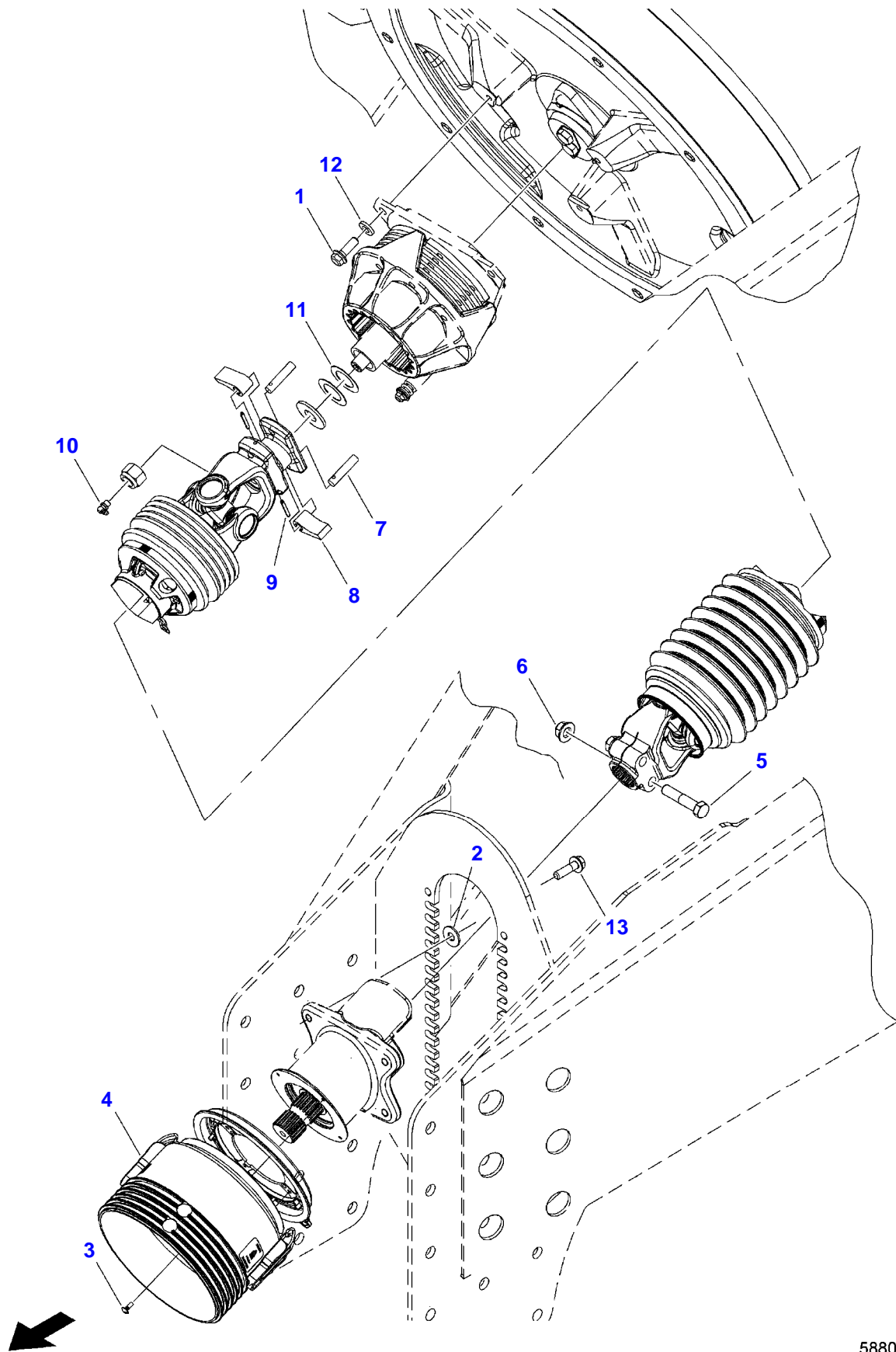
652048

BELTS & FILTERS GUIDE

Page01-0001

Item	Part Number	Qty	Description Comments
1	700738685	1	FILTER
	700738686	1	FILTER ELEMENT

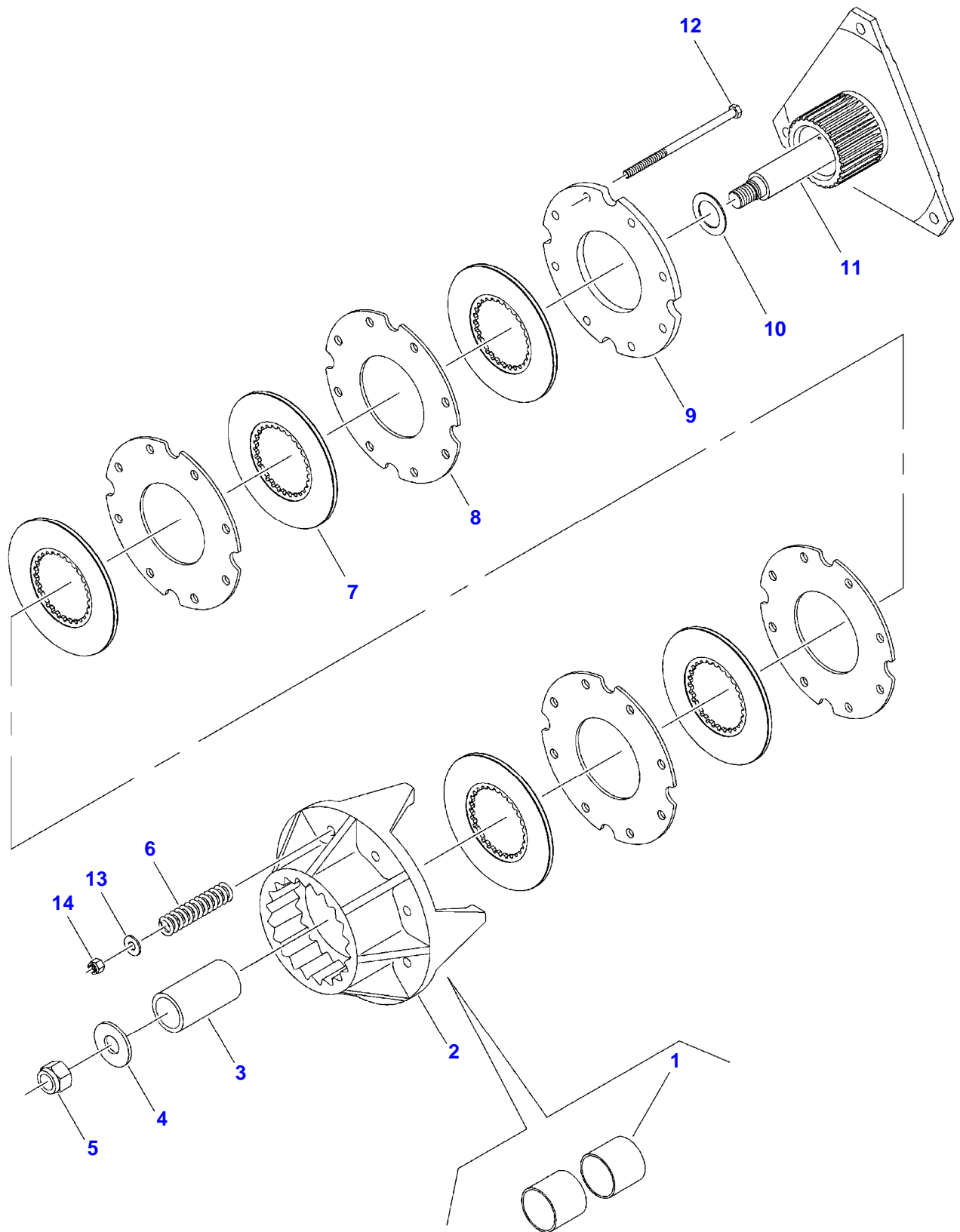
990N / 990S / 990R LARGE RECTANGULAR BALERS (S.N. GHBXX101 AND LATER)
5880348-H-1



5880348-H-1

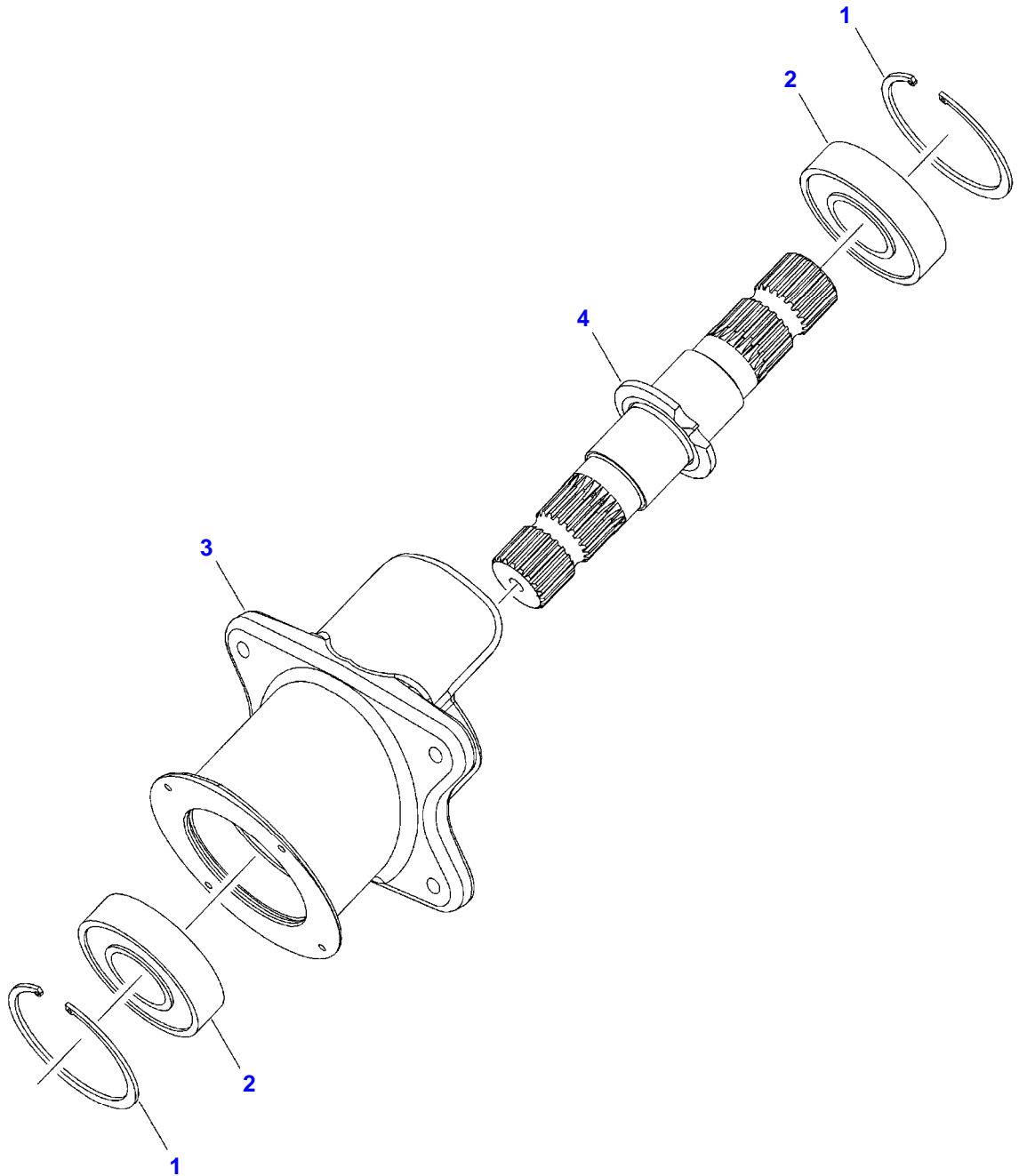
Item	Part Number	Qty	Description Comments	Technical Specification
1	8701237	3	HEXAGON FLANGE BOLT	1/2"-13 X 1-1/2", GR8
2	700711557	4	FLAT WASHER	1/2"
3	3012141X1	4	HEXAGON FLANGE BOLT	M6 X 16 (1.0) ISO 8.8 ZN
4	700744198	1	CONE SHIELD	
5	70921597	2	SCREW	
6	700711198	2	HEX FLANGE LOCKNUT	5/8"-11, GRG
7	700113037	2	PAWL PIN	
8	700113036	2	CLUTCH PAWL	
9	N856869	2	SLOTTED SPRING PIN	3/16" X 1-1/2"
10	70915276	1	GREASE FITTING	1/8"-27, 90D
11	6522932	2	CLUTCH SHIM	1-13/32" ID X 2-1/4" OD
12	71432183	3	WASHER	M12 - 1/2
13	3009222X1	4	HEXAGON FLANGE BOLT	M12 X 40 (1.75) ISO 10.9 ZN

990N / 990S / 990R LARGE RECTANGULAR BALERS (S.N. GHBXX101 AND LATER)
242964-H-1



Item	Part Number	Qty	Description Comments	Technical Specification
1	7852114	2	BUSH	1-1/2" ID X 1-3/8", BRONZE
2	700164637	1	CLUTCH HOUSING	
	7852114	2	BUSH	1-1/2" ID X 1-3/8", BRONZE
3	6350805	1	HEADER PICKUP TUBE	2" OD X 3-3/4"
4	76521	1	FLAT WASHER	NON-PLATED, 7/8
5	700707250	1	HEX NUT	7/8"-14
6	858019	8	COMPRESSION SPRING	
7	700108820	5	FRICTION DISC	6-7/8" DIA
8	700112903	4	CLUTCH PLATE	
9	6522866	1	CLUTCH PLATE	
10	Y52274	1	BUSH	1-3/8" X 14 GAUGE
11	700193077	1	CLUTCH PILOT	
12	700732562	8	HEXAGONAL HEAD BOLT	3/8"-16 X 7-1/2", GR5
13	SN317	8	FLAT WASHER	3/8"
14	Y704734	8	FLANGE LOCKNUT	3/8"-16, GRG

990N / 990S / 990R LARGE RECTANGULAR BALERS (S.N. GHBXX101 AND LATER)
5878640-H-1



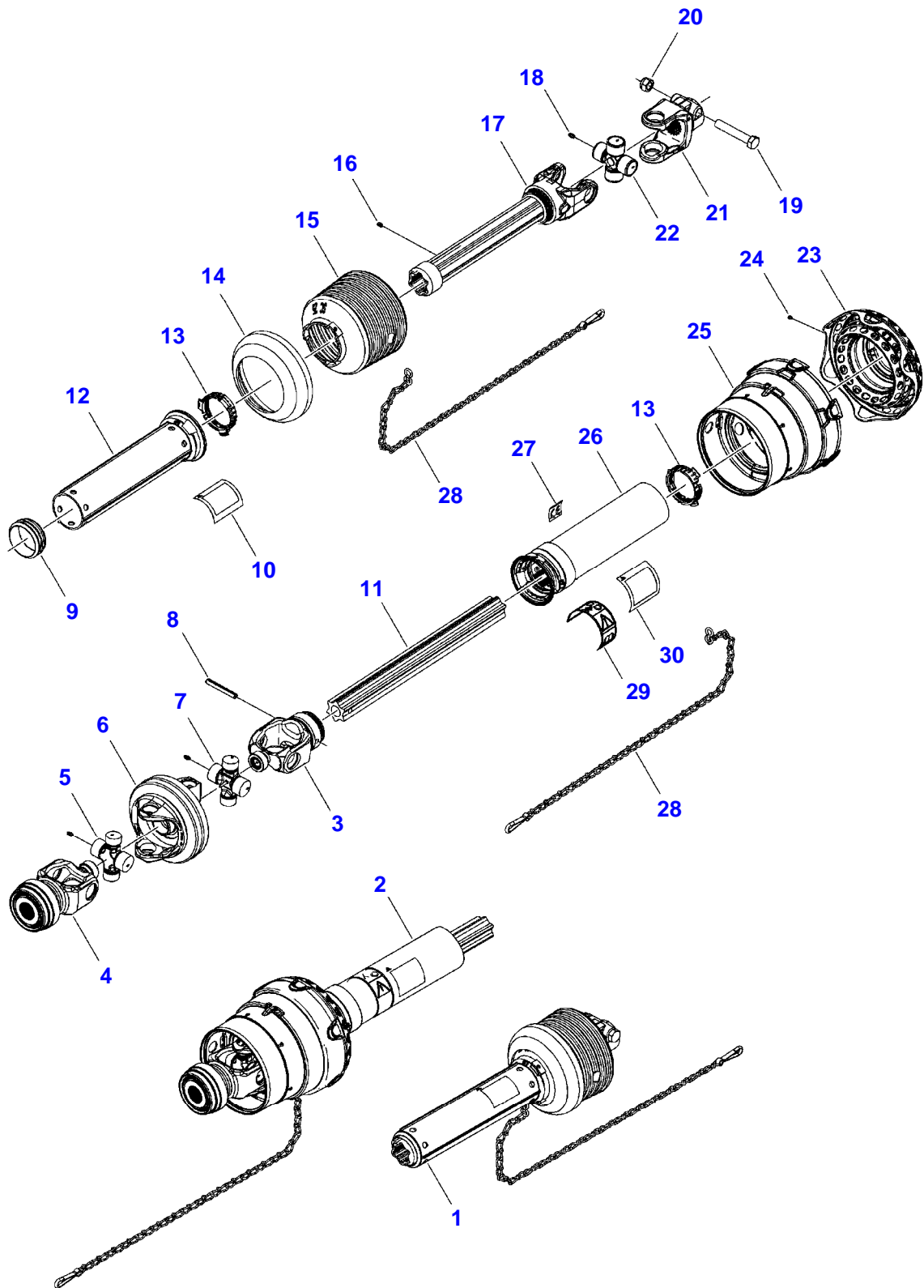
Item	Part Number	Qty	Description Comments	Technical Specification
1	355994X1	2	INTERNAL RETAINING RING	B.D.: 3.938" - PH
2	700721594	2	BALL BEARING	45 X 100 X 25MM
3	700744200	1	HOUSING SUPPORT	
4	700174791	1	DRIVE SHAFT	

SECONDARY DRIVE SHAFT

Item	Part Number	Qty	Description Comments	Technical Specification
1	700724125	1	PTO HALF SHAFT	
2	700724123	1	PTO HALF SHAFT	
3	700724141	1	DRIVE-SHAFT SAFETY GUARD	
4	700747136	1	DANGER DECAL, SHIELD MISSING	127MM X 87MM
5	700724142	1	YOKE TUBE [A]	
6	70923219	3	GREASE FITTING	1/4"-28
7	700729055	2	KIT	
8	700724136	2	CROSS AND BEARING KIT	39MM DIA CAP, 109MM OL
	70923219	1	GREASE FITTING	1/4"-28
9	700706955	1	YOKE	
	1124697	1	BALL BEARING	25X47X12
	700706956	1	BUSH	35MM X 41MM X 32MM, BRONZE
	70927699	1	RETAINING RING	
	70915275	1	GREASE FITTING	1/4"-28, 65D
10	700723268	2	GUARD BUSHING KIT	NYLON
11	700724137	1	YOKE SHAFT	
12	700724140	1	DRIVE-SHAFT SAFETY GUARD [A]	
13	700747135	1	DANGER DECAL, ROTATING DRIVELINE	134MM X 95MM
14	700746100	1	WARNING DECAL	
15	700721794	1	YOKE	

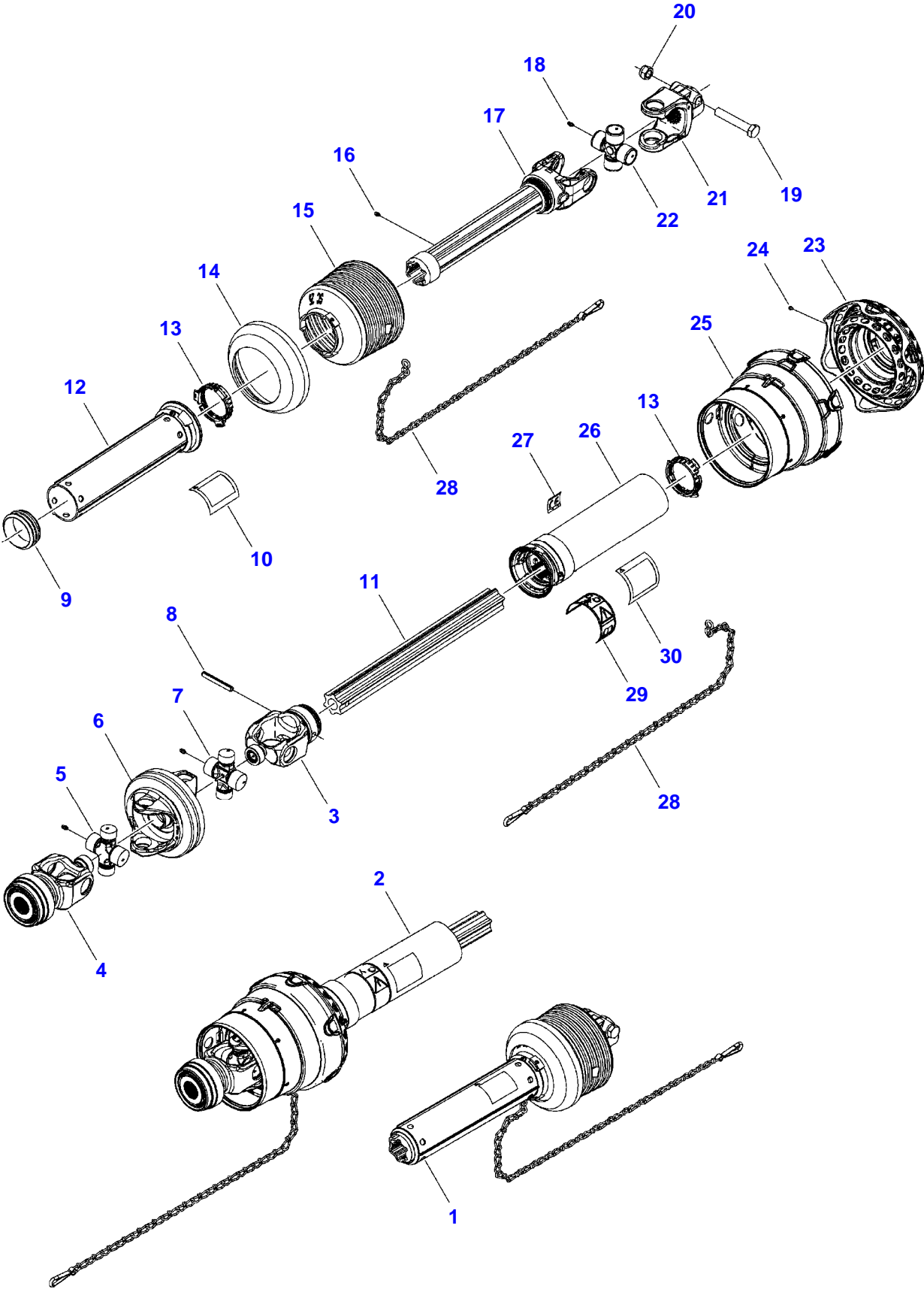
[A] THE APPROPRIATE SAFETY DECALS MUST BE ORDERED AND FITTED TO THIS PART

990N / 990S / 990R LARGE RECTANGULAR BALERS (S.N. GHBXX101 AND LATER)
242854-H-1



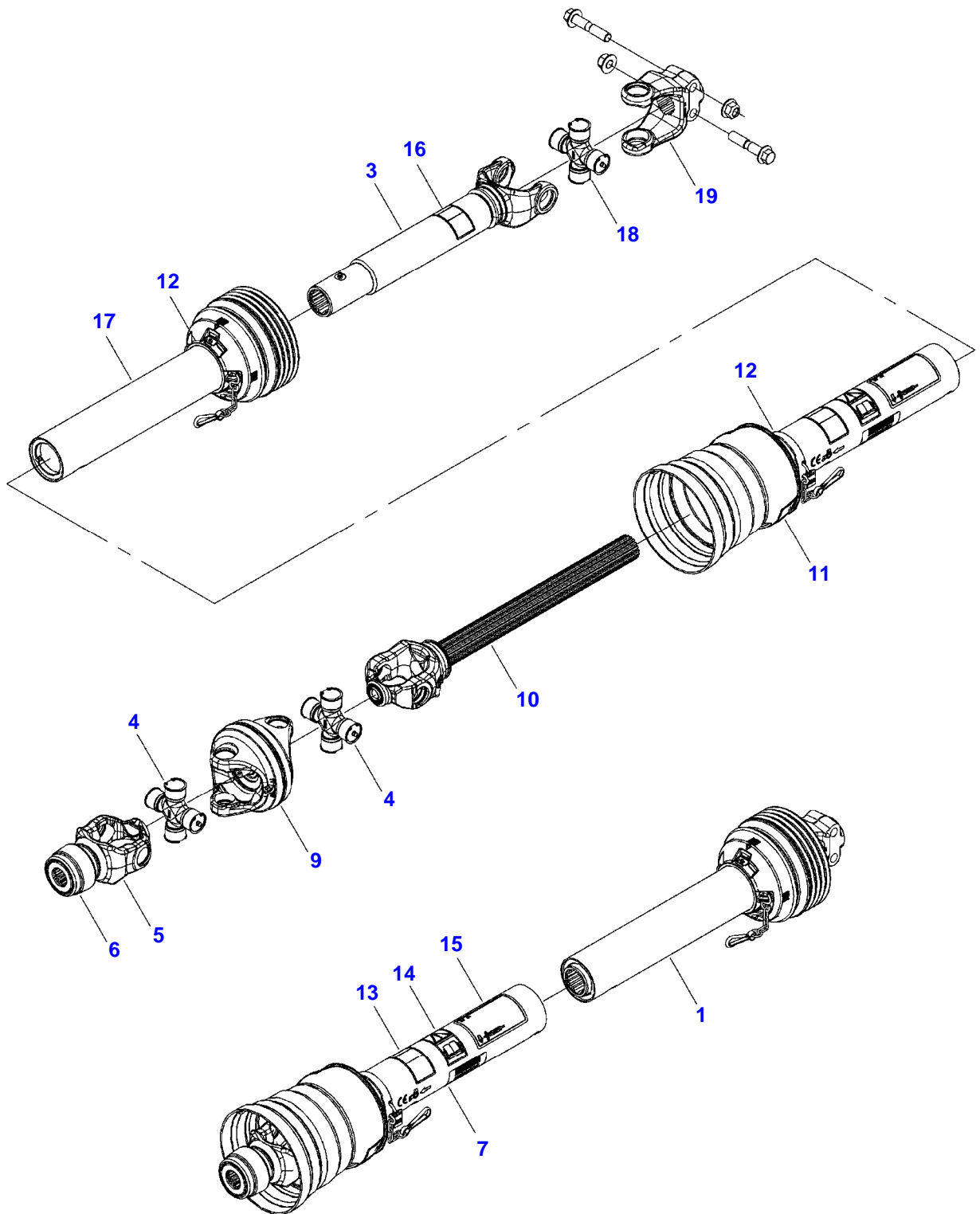
Item	Part Number	Qty	Description Comments	Technical Specification
1-3/8 INCH X 21 SPLINE				
1	700737113	1	PTO HALF SHAFT	1-3/4", 20 SPLINE
2	700735106	1	PTO HALF SHAFT	
3	700735112	1	YOKE	
4	700735109	1	YOKE	1-3/8", 21 SPLINE
	700735126	1	REPAIR KIT	LOCK
5	700735113	1	CROSS AND BEARING KIT	32 & 36MM DIA CAP, 112MM OL
6	700735110	1	DOUBLE YOKE	
7	700735111	1	CROSS AND BEARING KIT	32 & 36MM DIA CAP, 112MM OL
8	763847	1	SPRING PIN	10 X 75 MM
9	700735123	1	BEARING BRACKET	
10	700747136	1	DANGER DECAL, SHIELD MISSING	127MM X 87MM
11	700735114	1	INNER PROFILE SHAFT	
12	700737117	1	INNER GUARD [A]	
13	6581954	2	BEARING RING	
14	700735124	1	REINFORCING COLLAR	
15	700735122	1	CONE GUARD	7 RIB
16	700713262	1	GREASE FITTING	1/4"-28 X 9/16"
17	700737115	1	YOKE TUBE	IB (S5G)
18	1440838X1	3	GREASE NIPPLE	M6 CL5.8 ZN
19	339182X1	1	HEXAGONAL HEAD BOLT	M16 X 90 (2.0) ISO 8.8 ZN
20	1442739X1	1	HEX LOCKNUT	M16 (2.0) ISO 8 ZN
21	700737116	1	YOKE	1-3/4"-20 SPLINE
22	700735116	1	CROSS AND BEARING KIT	36MM DIA CAP, 89MM OL
23	700735121	1	GUARD CONE AND FLEX NET	
24	1077994M1	10	SCREW	
25	700735120	1	DRIVE-SHAFT SAFETY GUARD	
26	700735117	1	GUARD TUBE AND CAP [A]	
27	700735129	1	DECAL, CE	
28	71382485	2	SAFETY CHAIN	
29	700746100	1	WARNING DECAL	
30	700747135	1	DANGER DECAL, ROTATING DRIVELINE	134MM X 95MM
[A] THE APPROPRIATE SAFETY DECALS MUST BE ORDERED AND FITTED TO THIS PART				

990N / 990S / 990R LARGE RECTANGULAR BALERS (S.N. GHBXX101 AND LATER)
242734-H-1



Item	Part Number	Qty	Description Comments	Technical Specification
1-3/4 INCH X 20 SPLINE				
1	700737113	1	PTO HALF SHAFT	1-3/4", 20 SPLINE
2	700735108	1	PTO HALF SHAFT	1-3/4", 20 SPLINE
3	700735112	1	YOKE	
4	700735127	1	YOKE	1-3/4", 20 SPLINE
	700735128	1	REPAIR KIT	LOCK
5	700735113	1	CROSS AND BEARING KIT	32 & 36MM DIA CAP, 112MM OL
6	700735110	1	DOUBLE YOKE	
7	700735111	1	CROSS AND BEARING KIT	32 & 36MM DIA CAP, 112MM OL
8	763847	1	SPRING PIN	10 X 75 MM
9	700735123	1	BEARING BRACKET	
10	700747136	1	DANGER DECAL, SHIELD MISSING	127MM X 87MM
11	700735114	1	INNER PROFILE SHAFT	
12	700737117	1	INNER GUARD [A]	
13	6581954	2	BEARING RING	
14	700735124	1	REINFORCING COLLAR	
15	700735122	1	CONE GUARD	7 RIB
16	700713262	1	GREASE FITTING	1/4"-28 X 9/16"
17	700737115	1	YOKE TUBE	IB (S5G)
18	1440838X1	3	GREASE NIPPLE	M6 CL5.8 ZN
19	339182X1	1	HEXAGONAL HEAD BOLT	M16 X 90 (2.0) ISO 8.8 ZN
20	1442739X1	1	HEX LOCKNUT	M16 (2.0) ISO 8 ZN
21	700737116	1	YOKE	1-3/4"-20 SPLINE
22	700735116	1	CROSS AND BEARING KIT	36MM DIA CAP, 89MM OL
23	700735121	1	GUARD CONE AND FLEX NET	
24	1077994M1	10	SCREW	
25	700735120	1	DRIVE-SHAFT SAFETY GUARD	
26	700735117	1	GUARD TUBE AND CAP [A]	
27	700735129	1	DECAL, CE	
28	71382485	2	SAFETY CHAIN	
29	700746100	1	WARNING DECAL	
30	700747135	1	DANGER DECAL, ROTATING DRIVELINE	134MM X 95MM
[A] THE APPROPRIATE SAFETY DECALS MUST BE ORDERED AND FITTED TO THIS PART				

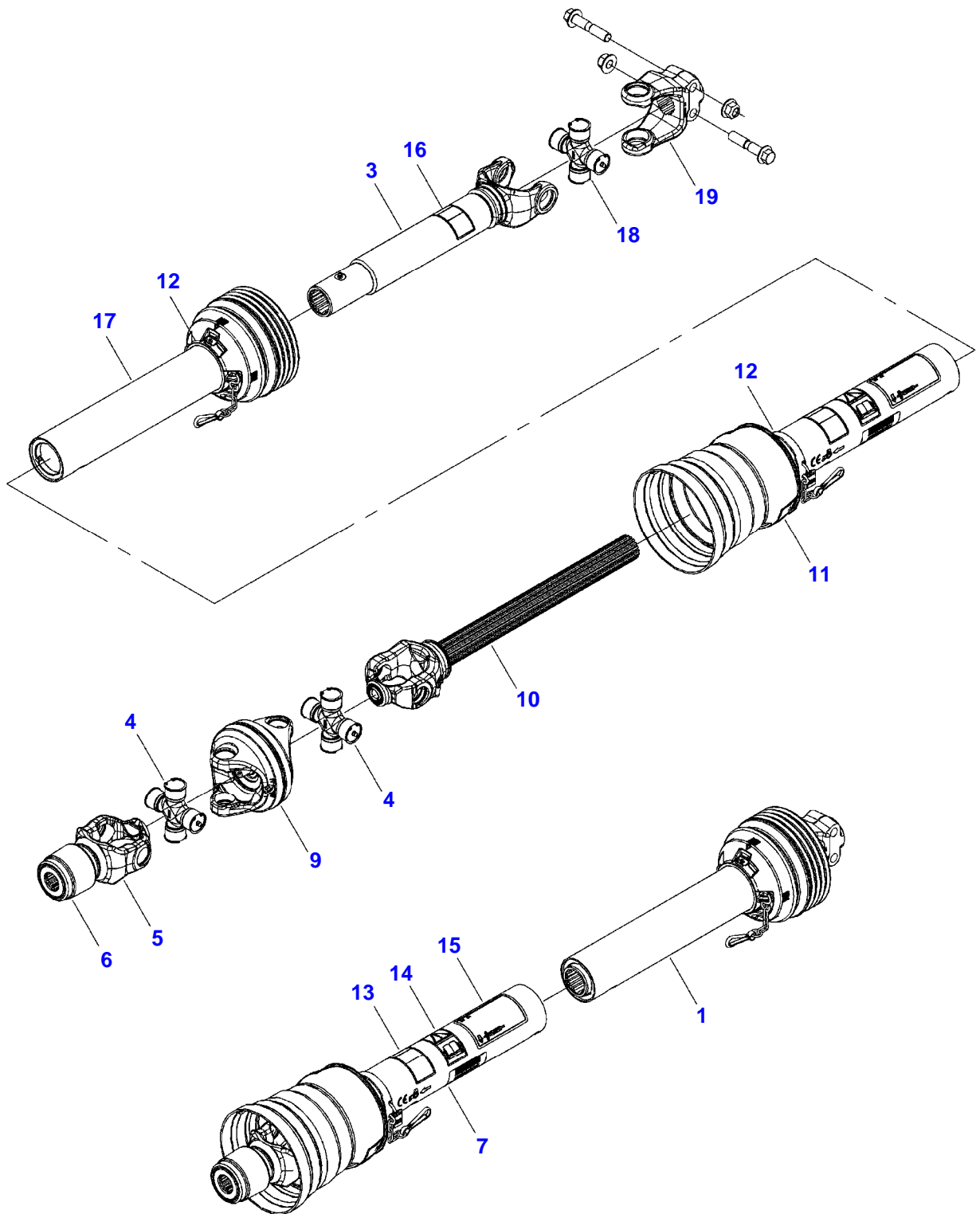
990N / 990S / 990R LARGE RECTANGULAR BALERS (S.N. GHBXX101 AND LATER)
21405739-H-1



21405739-H-1

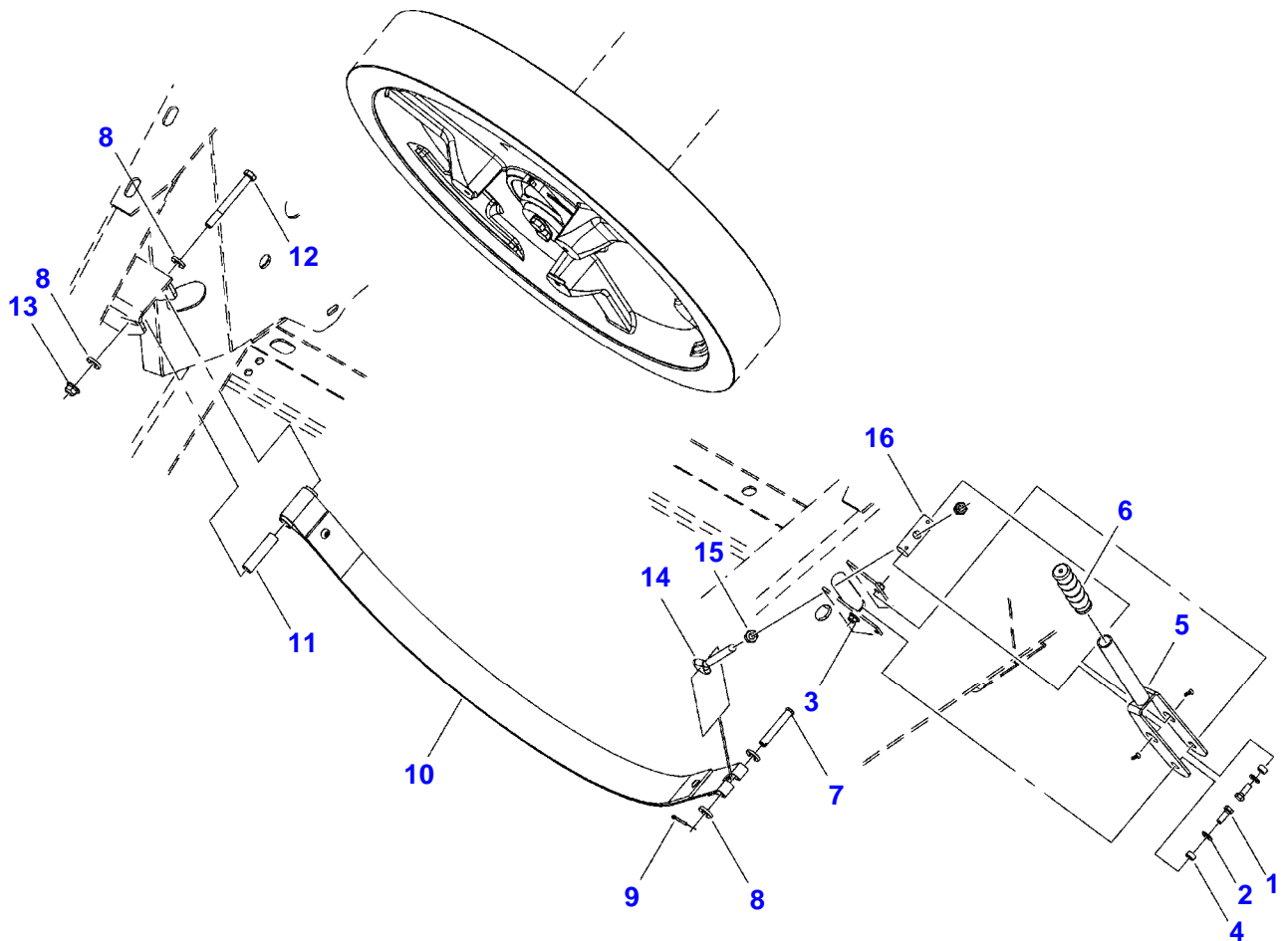
Item	Part Number	Qty	Description Comments	Technical Specification
			1-3/8 INCH X 21 SPLINE WEASLER	
1	700742395	1	PTO HALF SHAFT	1-3/4-20 SPLINE
3	700742403	1	YOKE TUBE	
4	700742398	2	CROSS PIECE	
5	700742124	1	YOKE	
6	700742406	1	AUTO LOCK REPAIR KIT	
7	700742404	1	U-JOINT	
9	700736299	1	CONSTANT VELOCITY HOUSING	CENTER
10	700742399	1	YOKE AND SHAFT	
11	700742400	1	OUTER GUARD	
12	700723268	1	GUARD BUSHING KIT	NYLON
13	700747135	1	DANGER DECAL, ROTATING DRIVELINE	134MM X 95MM
14	700736303	1	WARNING DECAL, CE	CE
15	700742401	1	DECAL, LUBE	
16	700747136	1	DANGER DECAL, SHIELD MISSING	127MM X 87MM
17	700742402	1	INNER GUARD	
18	700724136	1	CROSS AND BEARING KIT	39MM DIA CAP, 109MM OL
19	700736740	1	YOKE	1-3/4", 20 SPLINE

990N / 990S / 990R LARGE RECTANGULAR BALERS (S.N. GHBXX101 AND LATER)
20153559-H-1



Item	Part Number	Qty	Description Comments	Technical Specification
			1-3/4 INCH X 20 SPLINE WEASLER	
1	700742395	1	PTO HALF SHAFT	1-3/4-20 SPLINE
3	700742403	1	YOKE TUBE	
4	700742398	2	CROSS PIECE	
5	700742396	1	YOKE	
6	700711425	1	REPAIR KIT	1-3/4" X 20 SPLINE
7	700742393	1	PTO HALF SHAFT	1-3/4-20 SPLINE
9	700736299	1	CONSTANT VELOCITY HOUSING	CENTER
10	700742399	1	YOKE AND SHAFT	
11	700742400	1	OUTER GUARD	
12	700723268	1	GUARD BUSHING KIT	NYLON
13	700747135	1	DANGER DECAL, ROTATING DRIVELINE	134MM X 95MM
14	700736303	1	WARNING DECAL, CE	CE
15	700742401	1	DECAL, LUBE	
16	700747136	1	DANGER DECAL, SHIELD MISSING	127MM X 87MM
17	700742402	1	INNER GUARD	
18	700724136	1	CROSS AND BEARING KIT	39MM DIA CAP, 109MM OL
19	700736740	1	YOKE	1-3/4", 20 SPLINE

990N / 990S / 990R LARGE RECTANGULAR BALERS (S.N. GHBXX101 AND LATER)
242777-H-1



Thank you so much for reading.
Please click the “Buy Now!”
button below to download the
complete manual.



After you pay.

You can download the most
perfect and complete manual in
the world immediately.

Our support email:

ebooklibonline@outlook.com