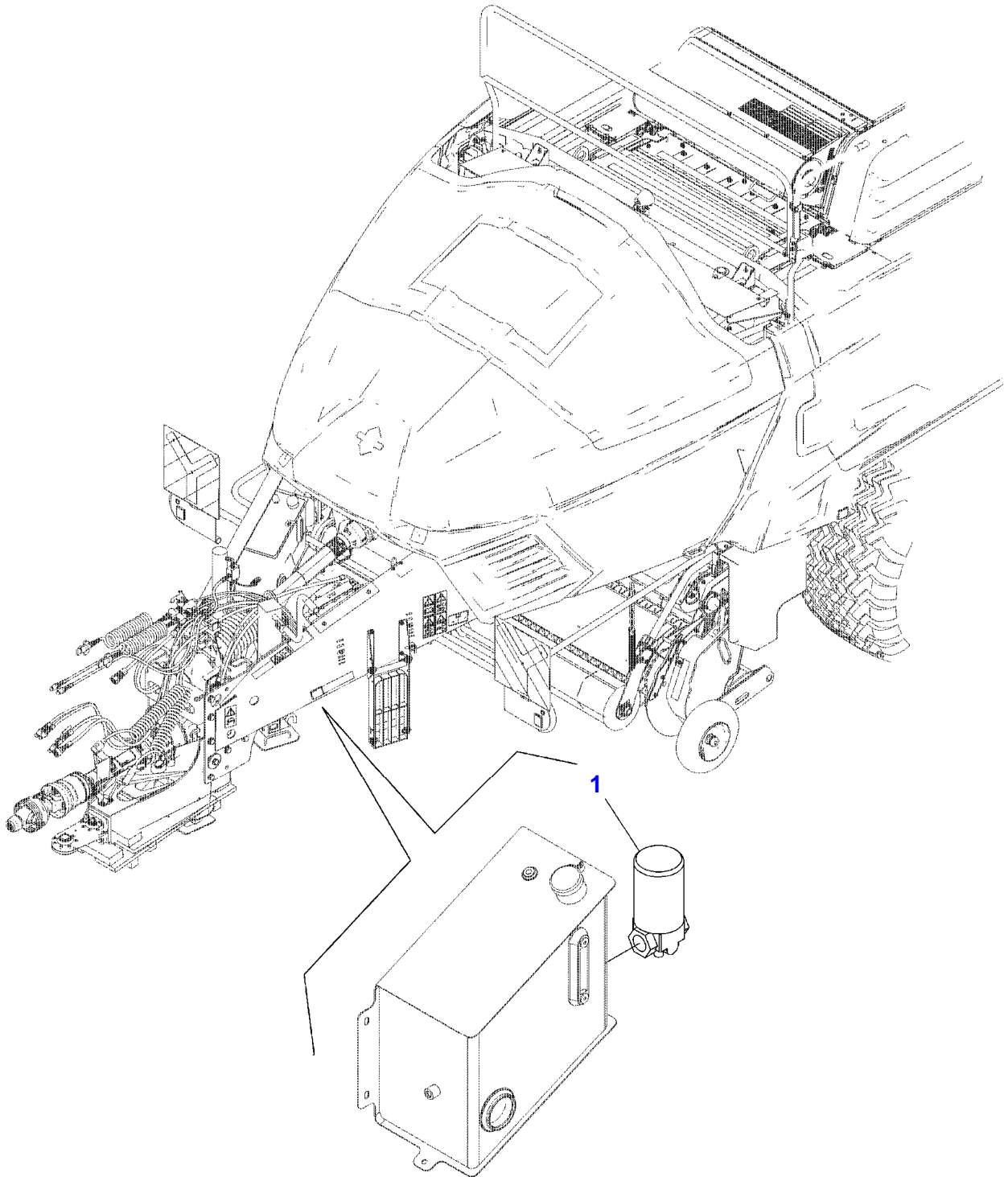


<b>Page Number</b>	<b>Page Title</b>	<b>Page Reference</b>
01-000-TOC	DRIVE SYSTEM	01-000-TOC
02-000-TOC	HYDRAULIC SYSTEM	02-000-TOC
03-000-TOC	ELECTRICAL SYSTEM	03-000-TOC
04-000-TOC	BALE FEEDING SYSTEM	04-000-TOC
05-000-TOC	BALE FORMING SYSTEM	05-000-TOC
06-000-TOC	BALE KNOTTING SYSTEM	06-000-TOC
07-000-TOC	BALE EJECTING SYSTEM	07-000-TOC
08-000-TOC	CHASSIS	08-000-TOC
09-000-TOC	DECALS	09-000-TOC
10-000-TOC	AXLES, SPINDLES, AND WHEELS	10-000-TOC
11-000-TOC	BRAKE SYSTEM	11-000-TOC
12-000-TOC	ACCESSORIES	12-000-TOC

## DRIVE SYSTEM

Page Number	Page Title	Page Reference
01-0001	FILTER	2327562
01-0002	MAIN DRIVE	2226361
01-0003	SECONDARY DRIVE SHAFT	2226351
01-0004	PRIMARY DRIVE SHAFT - CE 1-3/4 INCH X 20 SPLINE WEASLER	2313942
01-0005	MOUNTING - GEARBOX	2226215
01-0006	MOUNTING - FLYWHEEL	2226220
01-0007	CLUTCH - FLYWHEEL	2226221
01-0008	BRAKE - FLYWHEEL	2225680
01-0009	AUXILIARY DRIVE - LEFT HAND	2226208
01-0010	AUXILIARY DRIVE - RIGHT HAND	2232186
01-0011	SHAFT AND SPROCKET - AUXILIARY	2226172
01-0012	SLIP CLUTCH - AUXILIARY	2230843
01-0013	CHAIN LUBE	2313600
01-0014	PUMP - CHAIN LUBE LATER	2229331

1290N UD LARGE RECTANGULAR BALER  
20569862-H-1



---

Fendt

1290N UD LARGE RECTANGULAR BALER

652183

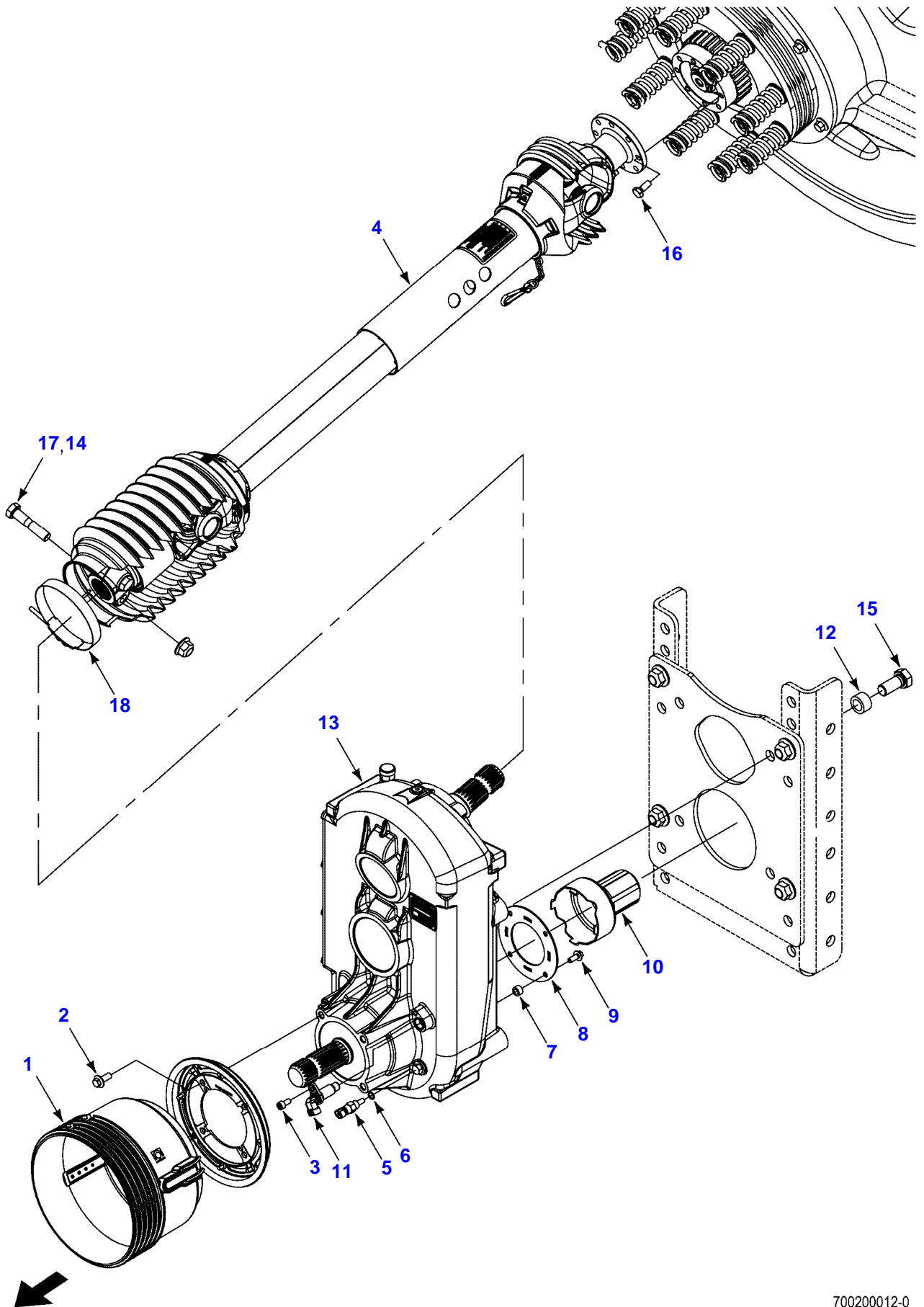
FILTER

Page01-0001

---

Item	Part Number	Qty	Description Comments
1	700738685	1	FILTER

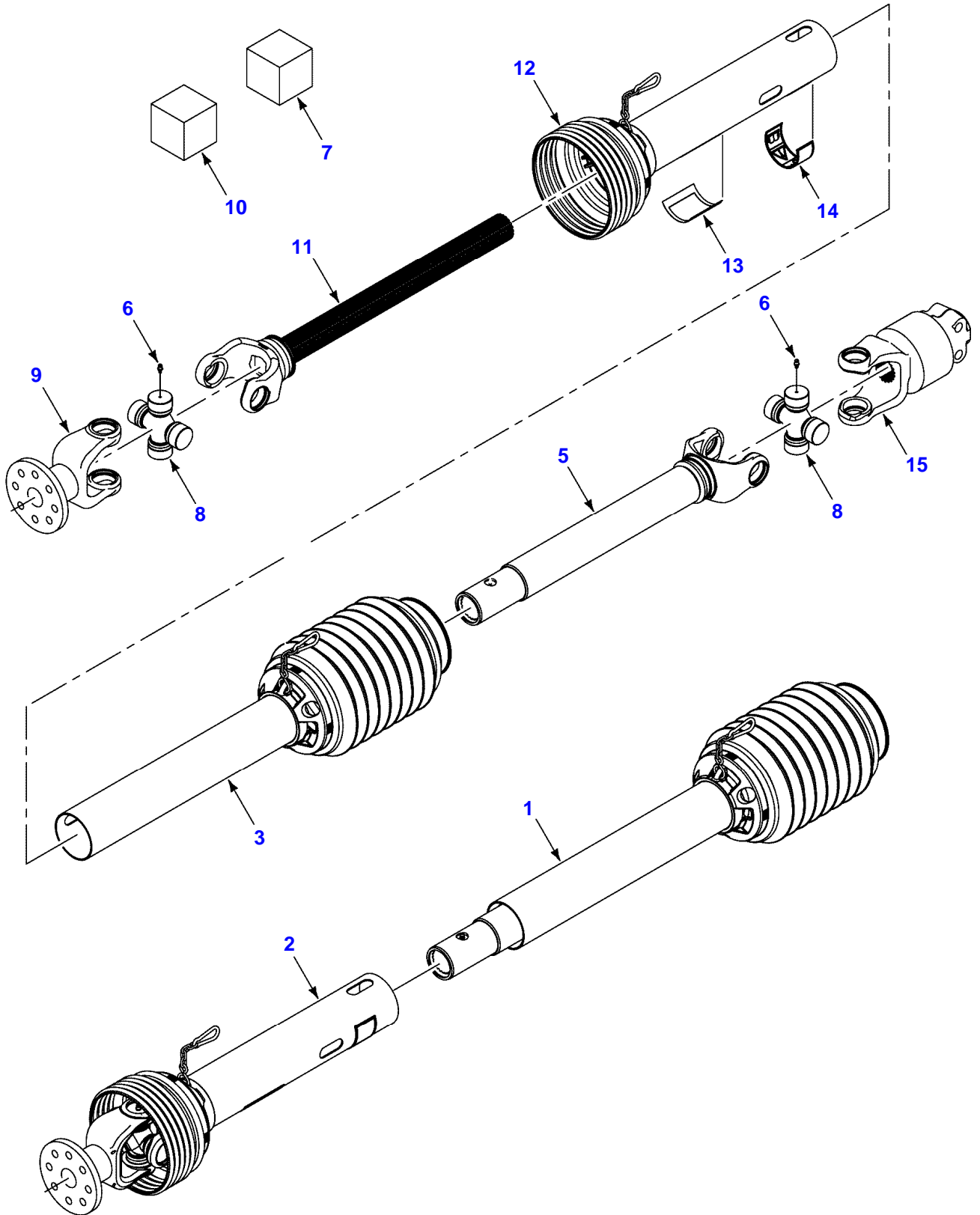
1290N UD LARGE RECTANGULAR BALER  
700200012-0



700200012-0

Item	Part Number	Qty	Description Comments	Technical Specification
1	700744198	1	CONE SHIELD	
2	3009206X1	4	HEXAGON FLANGE BOLT	M10 X 25 (1.5) ISO 10.9 ZN
3	3009285X1	1	HEX SOCKET HEAD CAPSCREW	M8 X 16 (1.25) ISO 10.9 ZN
4	NS	1	NON-SERVICEABLE PART SEE PAGE 01-0003	
5	5015257M1	1	TEMPERATURE SENSOR.	
6	7040330	1	O-RING	0.414" X .072"
7	700145163	4	SPACER	16MM OD X 9MM W
8	700188846	1	PLATE	
9	3012152X1	4	HEXAGON FLANGE BOLT	M8 X 20 (1.25) ISO 8.8 ZN
10	926150220060	1	PTO PROTECTION	
11	ACW053089A	1	SPEED SENSOR	90D
12	700169683	4	SPACER	
13	700741190	1	GEARBOX	
14	ACW1027170	2	HEX FLANGE TOP LOCK NUT	ISO7044 M16X2-8 FLZN1
15	ACW1044700	4	HEXAGONAL BOLT	ISO4017 M20X2.5X45-8 FLZN1
16	ACW1045090	8	HEXAGONAL BOLT	DIN933 M10X1.5X25-10 FLZN1
17	ACW1147980	2	HEXAGONAL BOLT	ISO4014 M16X2X75-10 FLZN1
18	71441560	1	T-BOLT CLAMP	5-1/4" ID

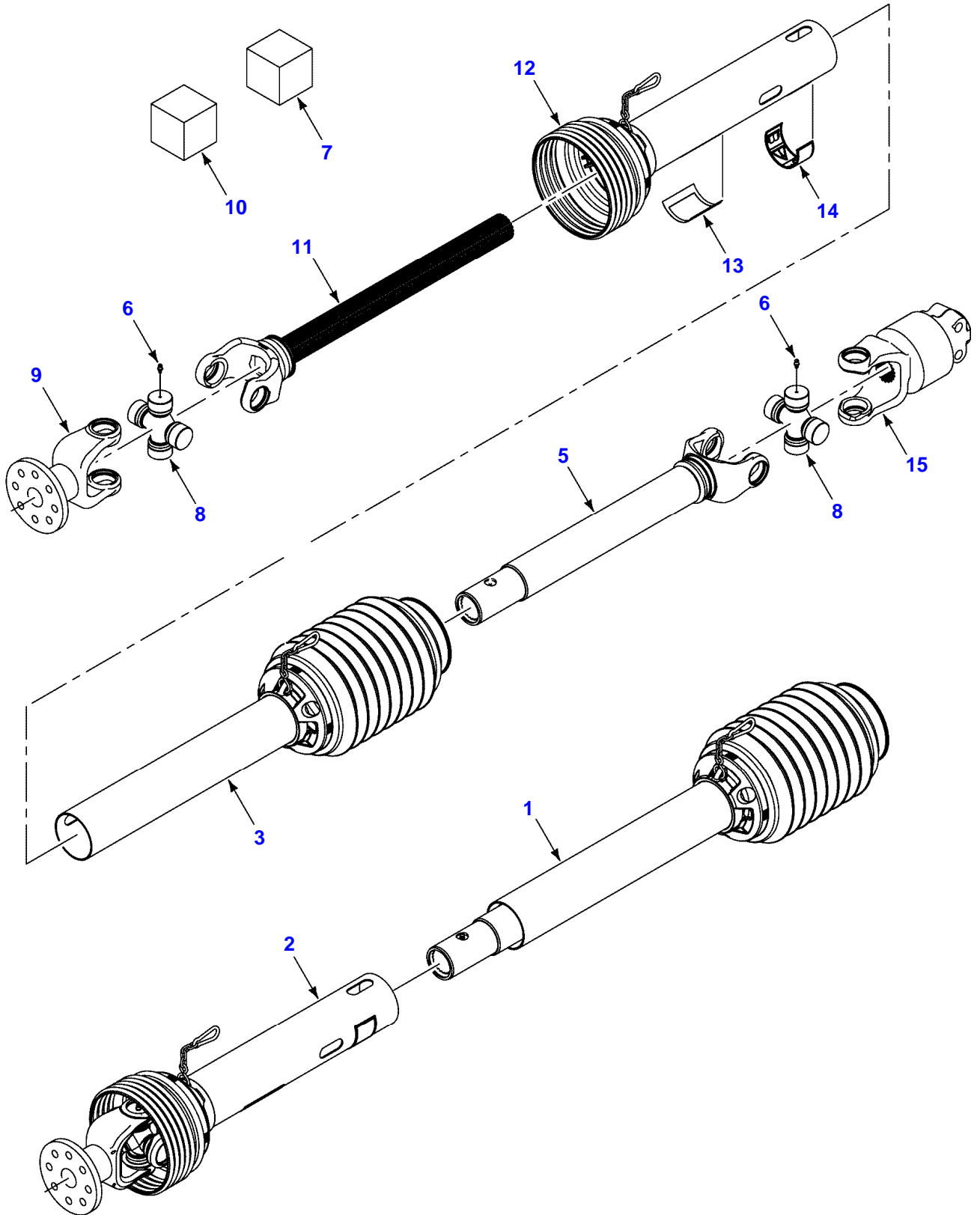
1290N UD LARGE RECTANGULAR BALER  
700741187-0



Item	Part Number	Qty	Description Comments	Technical Specification
1	700741193	1	YOKE TUBE	
2	700741192	1	YOKE SHAFT	
3	700741198	1	INNER GUARD	
5	700741196	1	YOKE TUBE	
6	70923219	2	GREASE FITTING	1/4"-28
7	700737798	1	GUARD REPAIR KIT	
8	70923219	1	GREASE FITTING	1/4"-28
	700724136	2	CROSS AND BEARING KIT	39MM DIA CAP, 109MM OL
9	700741194	1	YOKE	
10	700722475	1	BEARING KIT	NYLON
11	700741195	1	YOKE SHAFT	
12	700741197	1	OUTER GUARD [A]	
13	700747135	1	DANGER DECAL, ROTATING DRIVELINE	134MM X 95MM
14	700746100	1	WARNING DECAL	
15	700741199	1	OVERRUNNING CLUTCH YOKE [A] THE APPROPRIATE SAFETY DECALS MUST BE ORDERED AND FITTED TO THIS PART	

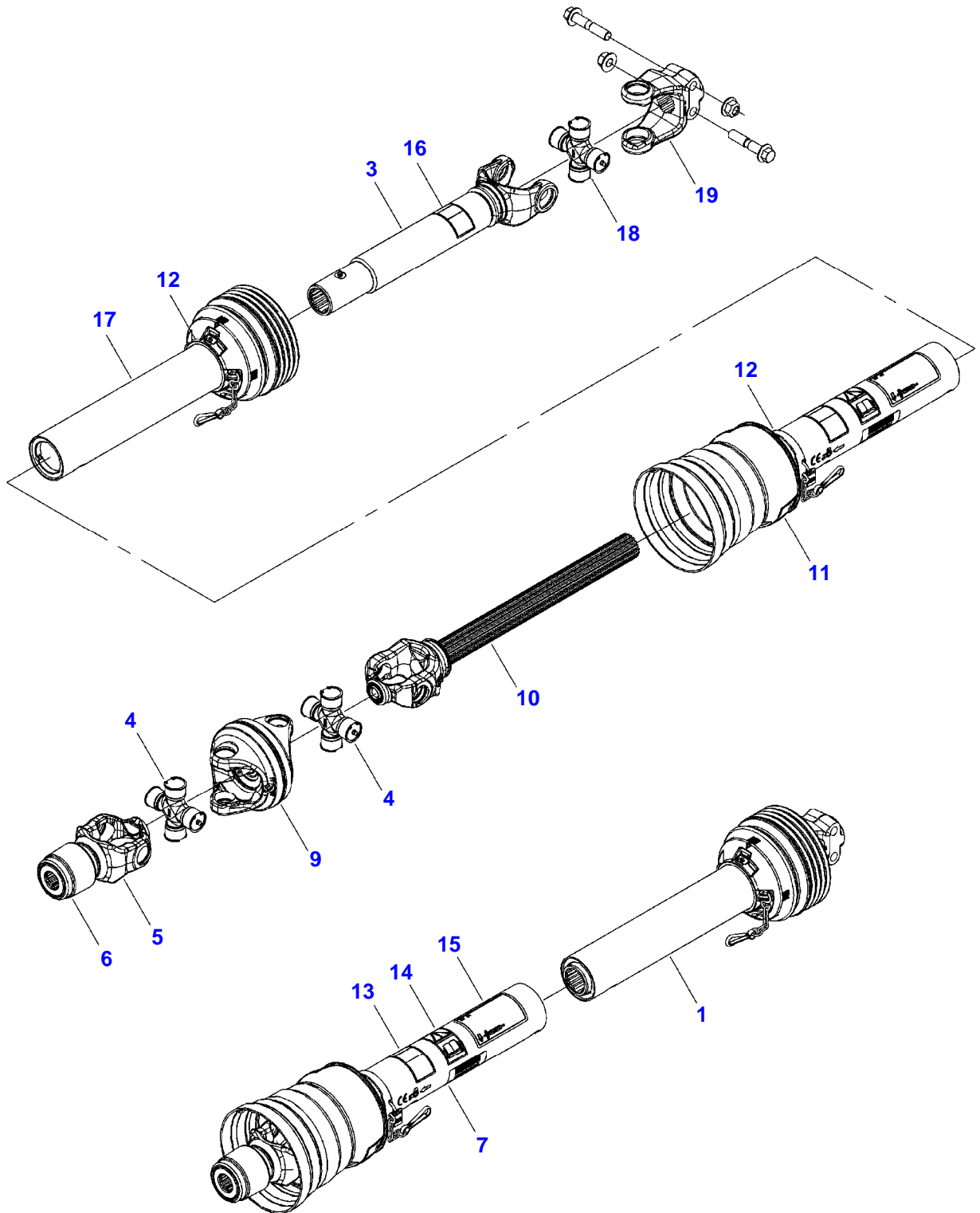


1290N UD LARGE RECTANGULAR BALER  
700741187-0



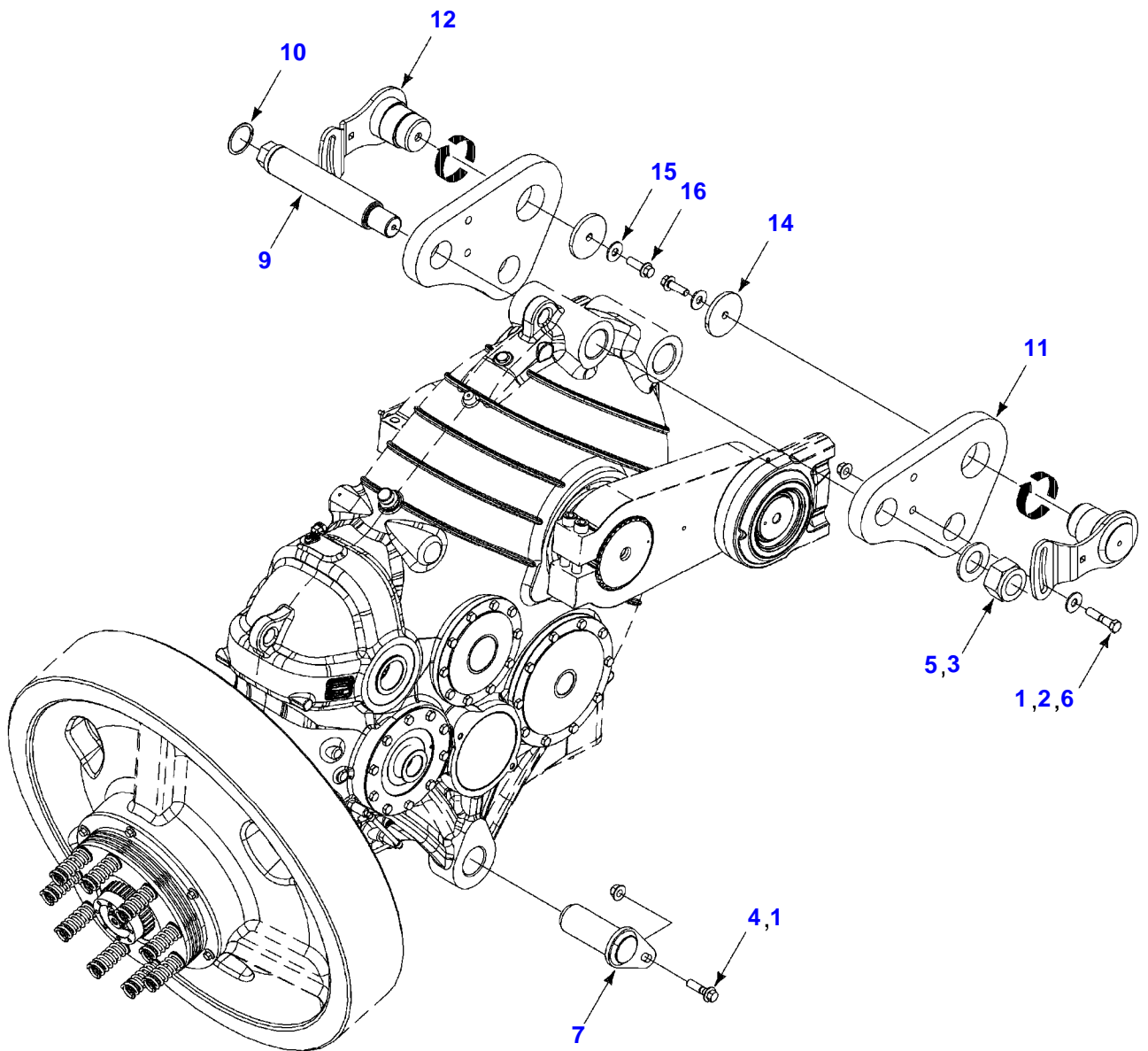
Item	Part Number	Qty	Description Comments	Technical Specification
1	700741193	1	YOKE TUBE	
2	700741192	1	YOKE SHAFT	
3	700741198	1	INNER GUARD	
5	700741196	1	YOKE TUBE	
6	70923219	2	GREASE FITTING	1/4"-28
7	700737798	1	GUARD REPAIR KIT	
8	70923219	1	GREASE FITTING	1/4"-28
	700724136	2	CROSS AND BEARING KIT	39MM DIA CAP, 109MM OL
9	700741194	1	YOKE	
10	700722475	1	BEARING KIT	NYLON
11	700741195	1	YOKE SHAFT	
12	700741197	1	OUTER GUARD [A]	
13	700747135	1	DANGER DECAL, ROTATING DRIVELINE	134MM X 95MM
14	700746100	1	WARNING DECAL	
15	700741199	1	OVERRUNNING CLUTCH YOKE [A] THE APPROPRIATE SAFETY DECALS MUST BE ORDERED AND FITTED TO THIS PART	

1290N UD LARGE RECTANGULAR BALER  
20153559-H-1



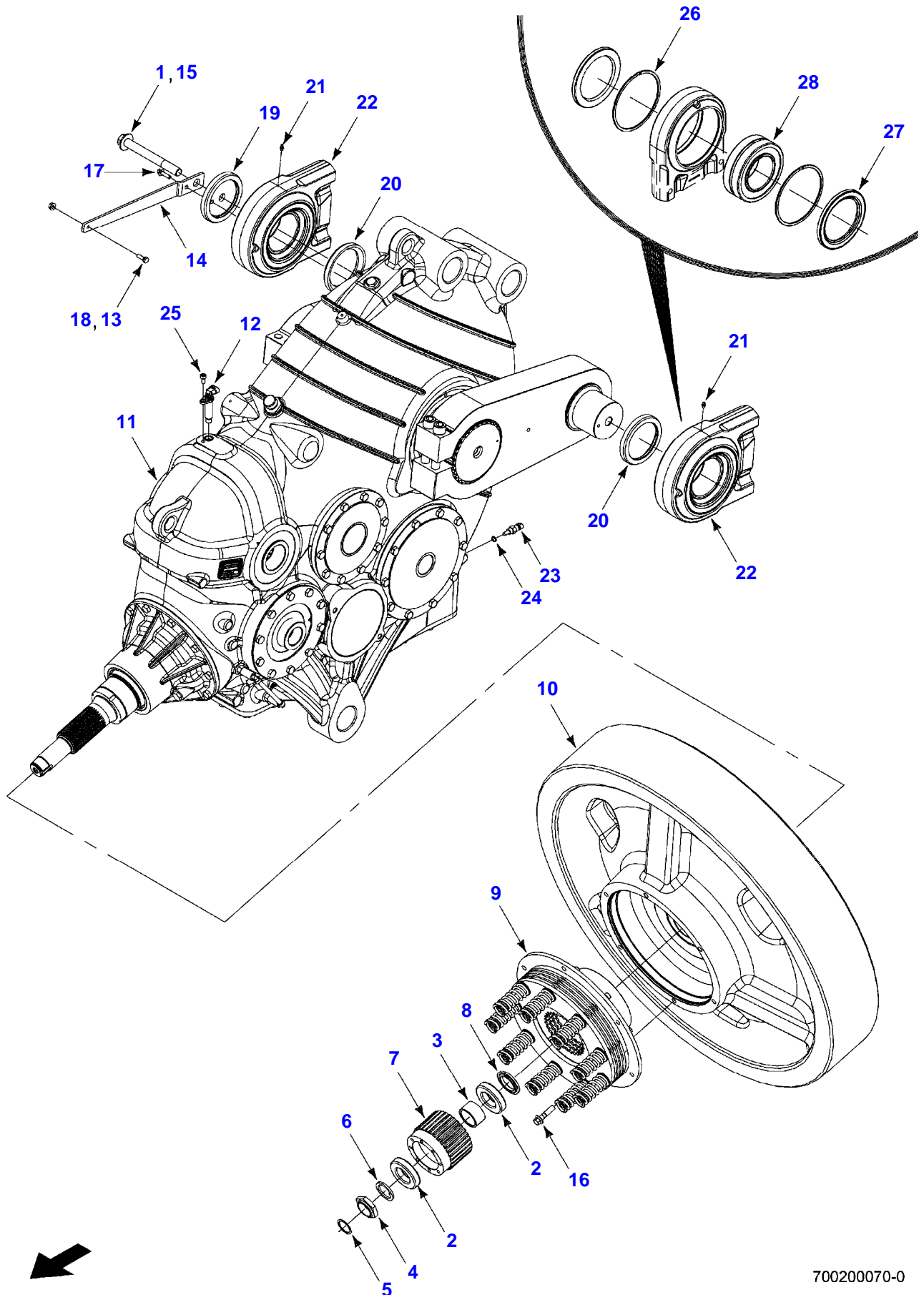
Item	Part Number	Qty	Description Comments	Technical Specification
			<b>1-3/4 INCH X 20 SPLINE WEASLER</b>	
1	700742395	1	PTO HALF SHAFT	1-3/4-20 SPLINE
3	700742403	1	YOKE TUBE [A]	
4	700742398	2	CROSS PIECE	
5	700742396	1	YOKE	
6	700711425	1	REPAIR KIT	1-3/4" X 20 SPLINE
7	700742393	1	PTO HALF SHAFT	1-3/4-20 SPLINE
9	700736299	1	CONSTANT VELOCITY HOUSING	CENTER
10	700742399	1	YOKE AND SHAFT	
11	700742400	1	OUTER GUARD	
12	700723268	1	GUARD BUSHING KIT [A]	NYLON
13	700747135	1	DANGER DECAL, ROTATING DRIVELINE	134MM X 95MM
14	700736303	1	WARNING DECAL, CE	CE
15	700742401	1	DECAL, LUBE	
16	700747136	1	DANGER DECAL, SHIELD MISSING	127MM X 87MM
17	700742402	1	INNER GUARD	
18	700724136	1	CROSS AND BEARING KIT	39MM DIA CAP, 109MM OL
19	700736740	1	YOKE	1-3/4", 20 SPLINE
			<b>[A] THE APPROPRIATE SAFETY DECALS MUST BE ORDERED AND FITTED TO THIS PART</b>	

1290N UD LARGE RECTANGULAR BALER  
700200002-0



Item	Part Number	Qty	Description Comments	Technical Specification
1	ACW1027170	4	HEX FLANGE TOP LOCK NUT	ISO7044 M16X2-8 FLZN1
2	3019565X1	2	FLAT WASHER	M16 ZN
3	ACW1040080	2	HEX TOP LOCK NUT	DIN985 M48X3-8 FLZN1
4	ACW1041050	2	HEX FLANGE HEAD MACHINE SCREW	DIN6921 M16X2X60-10 FLZN1
5	700200469	2	SPECIAL WASHER	
6	ACW1147980	2	HEXAGONAL BOLT	ISO4014 M16X2X75-10 FLZN1
7	700200466	1	PLATED PIN	
9	700200470	2	PLATED PIN	
10	AG520005	2	RETAINING RING	2-1/2"
11	700200230	2	MOUNTING PLATE	
12	700200471	2	PLATED PIN	
14	700190473	2	PLATE	
15	700711165	2	FLAT WASHER	5/8"
16	ACW1041040	2	HEX FLANGE HEAD MACHINE SCREW	DIN6921 M16X2X50-10 FLZN1

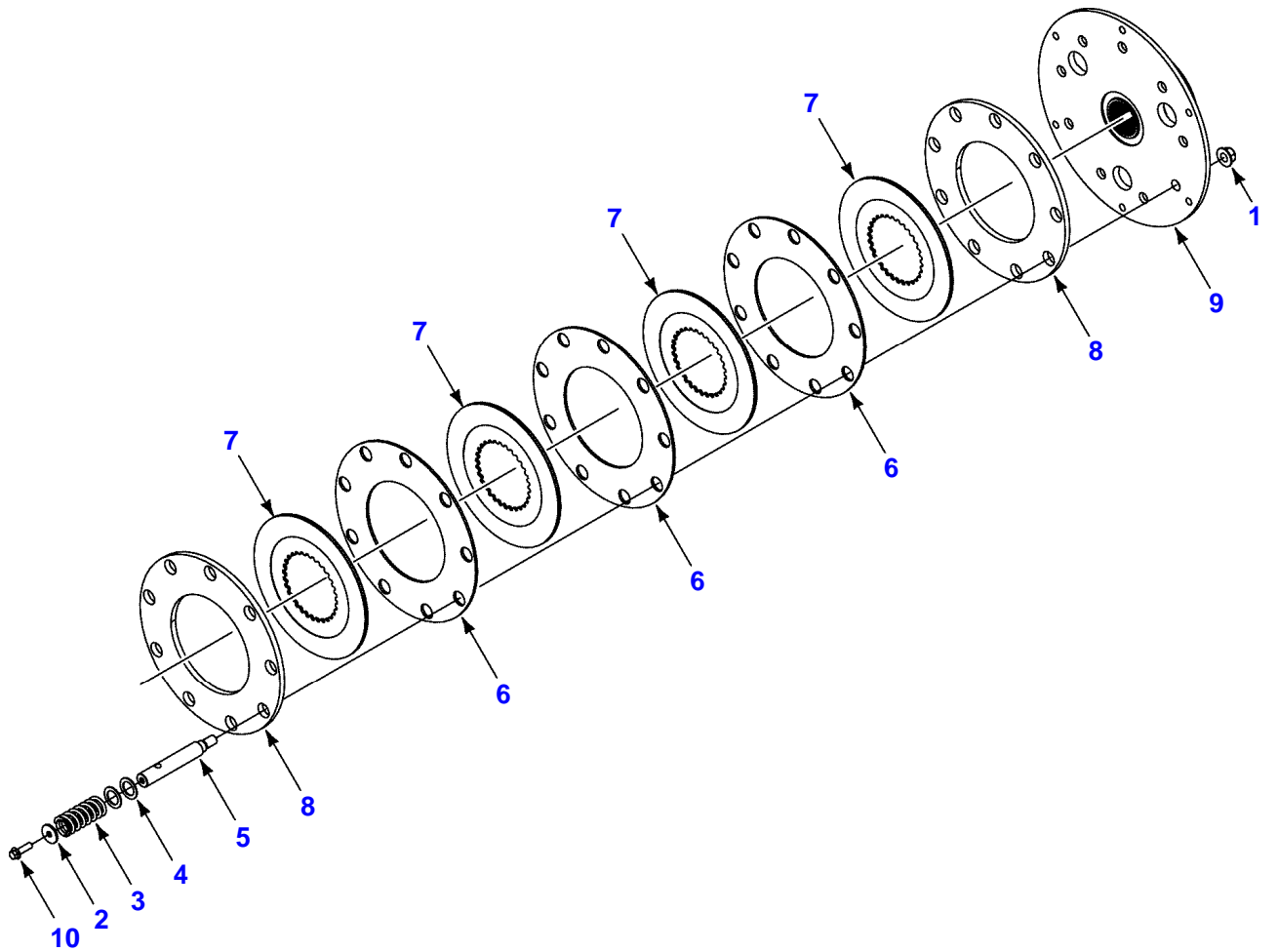
1290N UD LARGE RECTANGULAR BALER  
700200070-0



Item	Part Number	Qty	Description Comments	Technical Specification
1	3009268X1	1	HEXAGON FLANGE BOLT	M20 X 180 (2.5) ISO 10.9 ZN
2	1138480	2	BEARING	1-49/64" X 3-11/32" X 3/4"
3	700188803	1	PLATED SPACER	
4	700113661	1	NUT	
5	1003115M1	1	EXTERNAL RETAINING RING	S.D.: 1.500" - PH
6	700200076	1	WASHER	
7	700188802	1	COLLAR	
8	700200075	1	SPACER	
9	NS	1	NON-SERVICEABLE PART SEE PAGE 01-0007	
10	700188799	1	FLYWHEEL	
11	700741200	1	GEARBOX	
12	700742077	1	SPEED SENSOR	90D
13	ACW1023930	1	HEX FLANGE NUT	EN1661 M8X1.25-10 FLZN1
14	700201795	1	ACTUATOR ARM	
15	ACW1027180	1	HEX FLANGE TOP LOCK NUT	ISO7044 M20X2.5-8 FLZN1
16	ACW1040950	6	HEX FLANGE HEAD MACHINE SCREW	DIN6921 M12X1.75X50-10 FLZN1
17	ACW1041230	1	HEX FLANGE HEAD MACHINE SCREW	DIN6921 M8X1.25X30-8 FLZN1
18	ACW1044860	1	HEXAGONAL BOLT	ISO4017 M8X1.25X25-8 FLZN1
19	700200464	1	PLATED SPACER	
20	700200465	2	PLATED SPACER	
21	70923219	2	GREASE FITTING	1/4"-28
22	700200073	2	BEARING ASSY	
23	5015257M1	1	TEMPERATURE SENSOR.	
24	7040330	1	O-RING	0.414" X .072"
25	ACW1047310	1	SOCKET HEAD SETSCREW	ISO4762 M8X1.25X16-10 FLZN1
26	700741129	2	RETAINING RING	
27	700741128	2	OIL SEAL	
28	700741127	1	SPHERICAL BEARING	

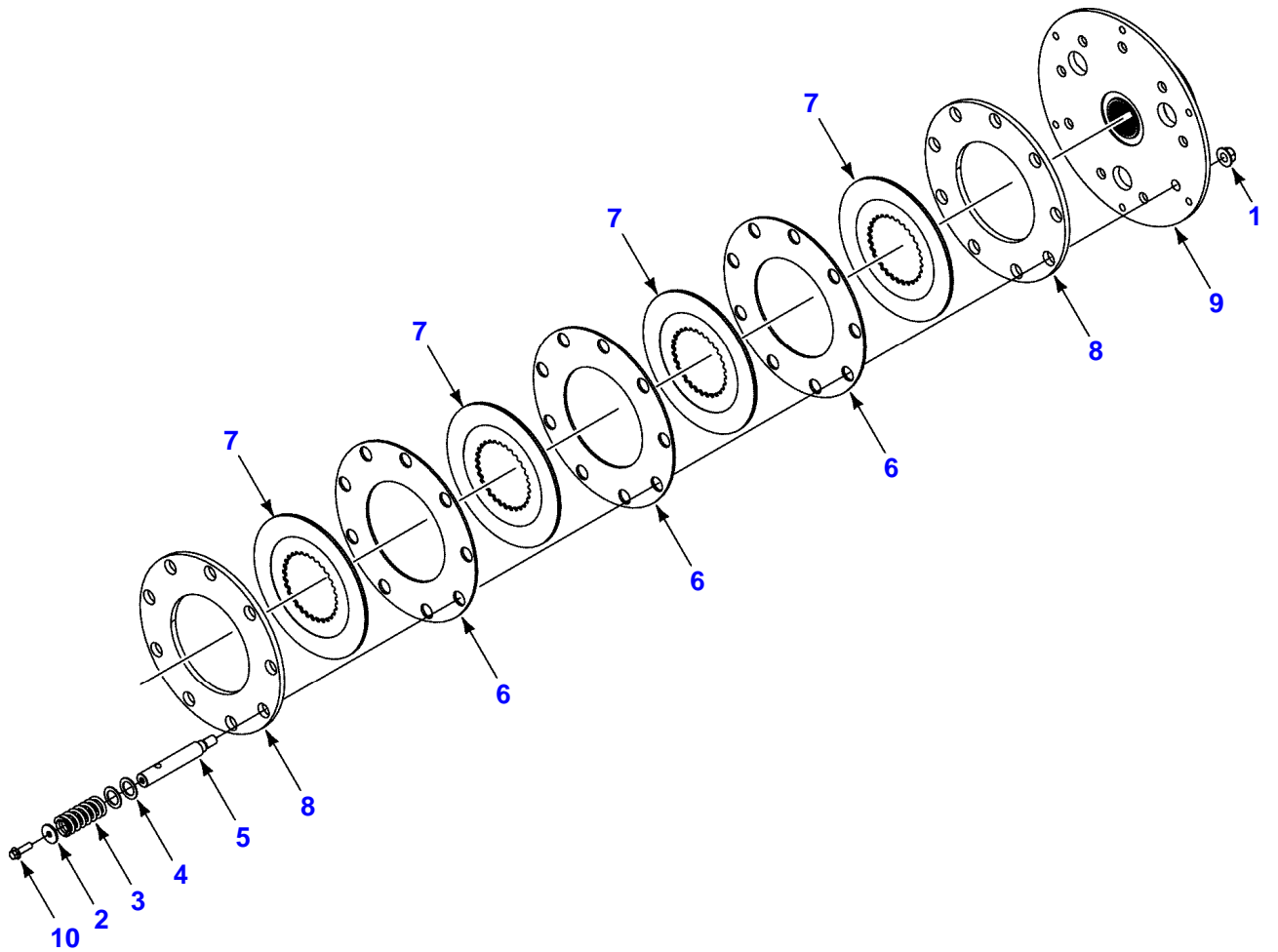


1290N UD LARGE RECTANGULAR BALER  
700188800-0



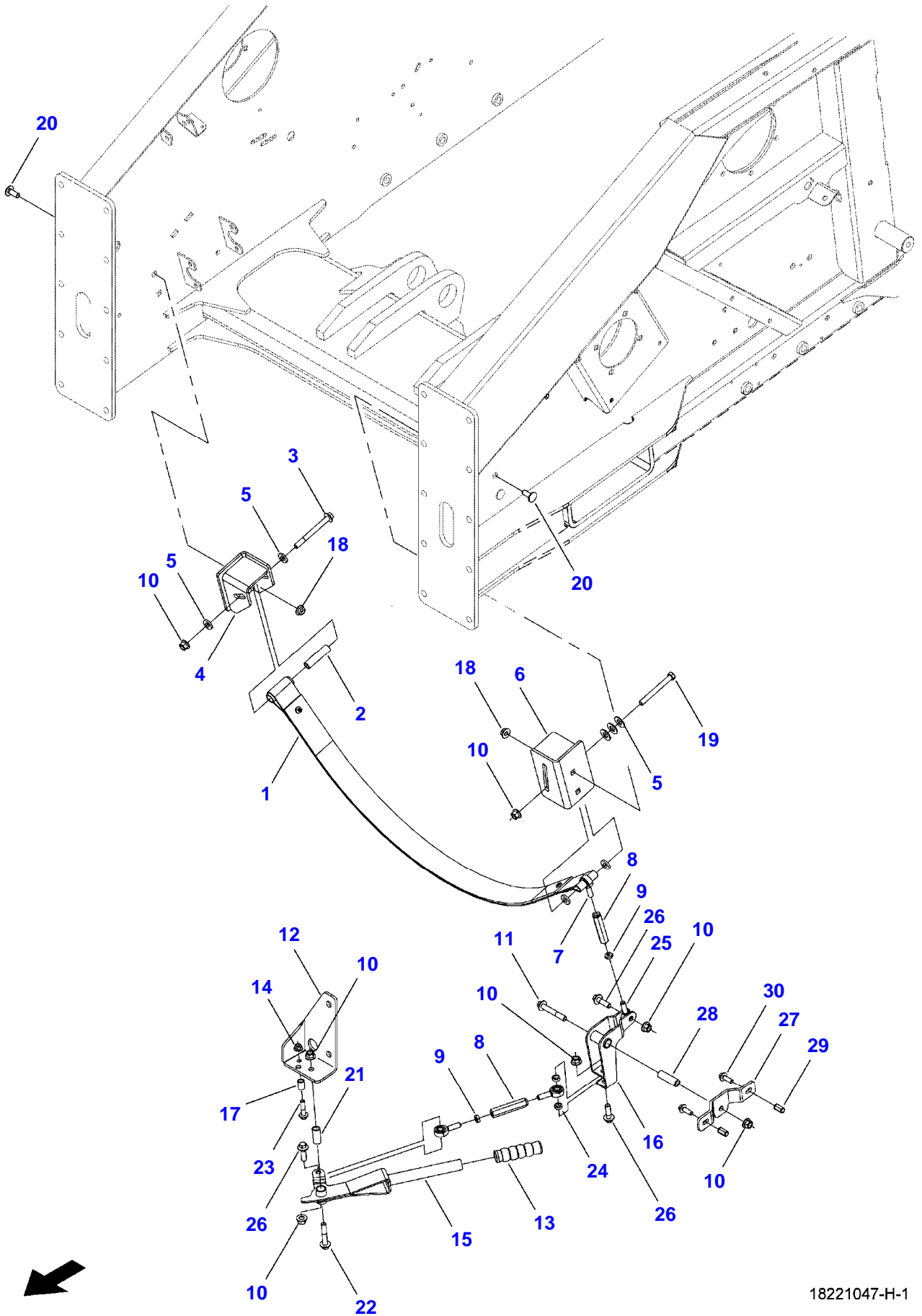
Item	Part Number	Qty	Description Comments	Technical Specification
1	ACW1027170	9	HEX FLANGE TOP LOCK NUT	ISO7044 M16X2-8 FLZN1
2	700717622	9	FLAT WASHER	10MM X 35MM
3	700737491	9	SPRING	
4	700717646	18	FLAT WASHER	1-1/32" X 1-9/16" X 1/16"
5	700188813	9	GUIDE PIN	
6	700188812	3	CLUTCH PLATE	
7	700188811	4	FRICTION DISC	
8	700188808	2	CLUTCH PLATE	
9	700741170	1	CLUTCH	
10	ACW1040800	9	HEX FLANGE HEAD MACHINE SCREW	DIN6921 M10X1.5X35-10 FLZN1

1290N UD LARGE RECTANGULAR BALER  
700188800-0



Item	Part Number	Qty	Description Comments	Technical Specification
1	ACW1027170	9	HEX FLANGE TOP LOCK NUT	ISO7044 M16X2-8 FLZN1
2	700717622	9	FLAT WASHER	10MM X 35MM
3	700737491	9	SPRING	
4	700717646	18	FLAT WASHER	1-1/32" X 1-9/16" X 1/16"
5	700188813	9	GUIDE PIN	
6	700188812	3	CLUTCH PLATE	
7	700188811	4	FRICTION DISC	
8	700188808	2	CLUTCH PLATE	
9	700741170	1	CLUTCH	
10	ACW1040800	9	HEX FLANGE HEAD MACHINE SCREW	DIN6921 M10X1.5X35-10 FLZN1

1290N UD LARGE RECTANGULAR BALER  
18221047-H-1



18221047-H-1

Thank you so much for reading.  
Please click the “Buy Now!”  
button below to download the  
complete manual.



After you pay.

You can download the most  
perfect and complete manual in  
the world immediately.

Our support email:

[ebooklibonline@outlook.com](mailto:ebooklibonline@outlook.com)