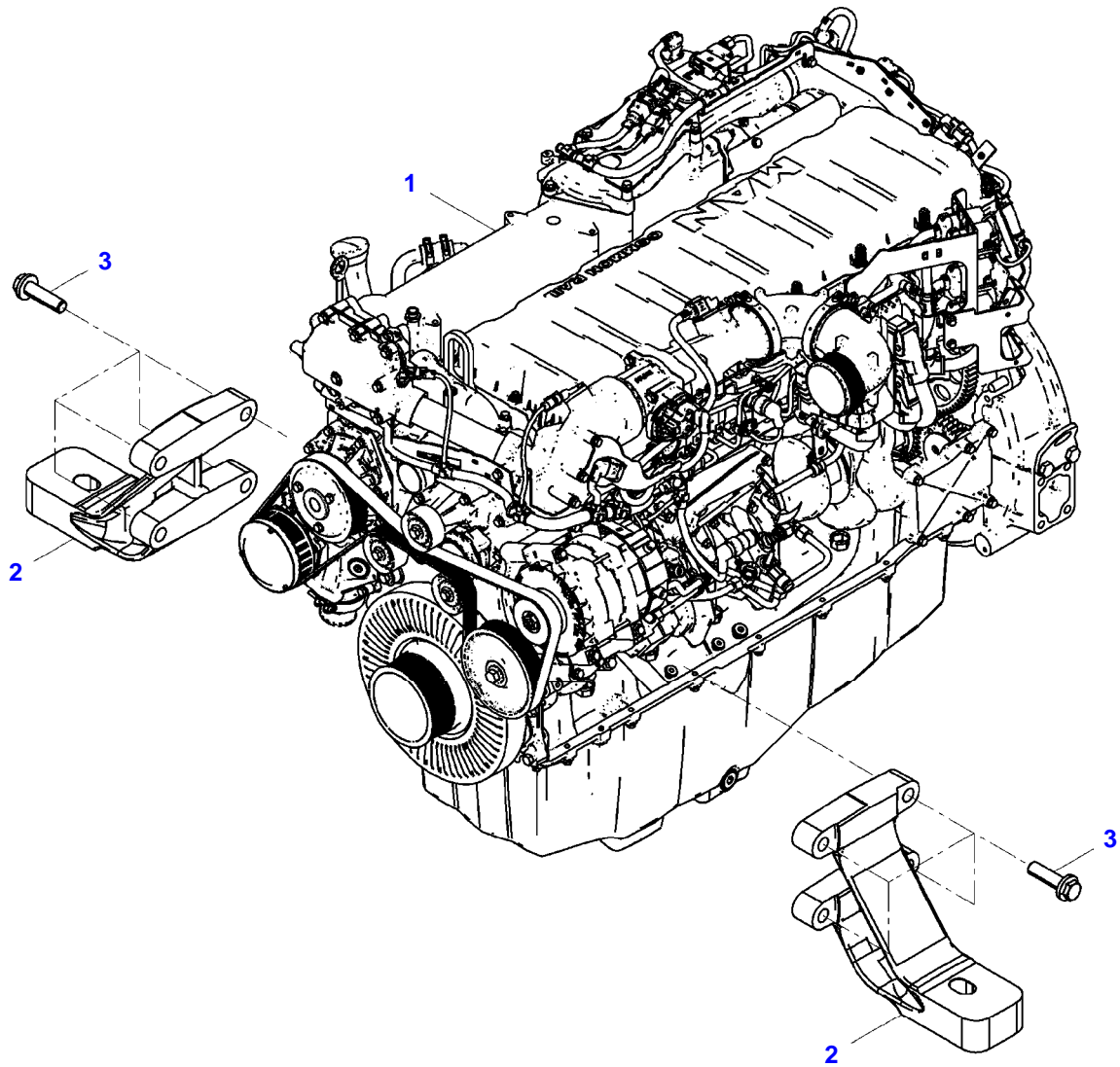


TABLE OF CONTENT

Page Number	Page Title	Page Reference
01-000-TOC	ENGINE ACW1207570 D2676LE138 STAGE 4	01-000-TOC
02-000-TOC	ENGINE ACW1207530 D2676LE137 T4F	02-000-TOC
03-000-TOC	ENGINE ACW2176690 D2676LE143 T3/LRC	03-000-TOC
04-000-TOC	ENGINE INSTALLATION	04-000-TOC
05-000-TOC	DRIVE SYSTEM	05-000-TOC
06-000-TOC	AXLES	06-000-TOC
07-000-TOC	STEERING SYSTEM	07-000-TOC
08-000-TOC	DRIVE TRAIN SYSTEM	08-000-TOC
09-000-TOC	BRAKE SYSTEM	09-000-TOC
10-000-TOC	HYDRAULIC SYSTEM	10-000-TOC
11-000-TOC	ELECTRICAL SYSTEM	11-000-TOC
12-000-TOC	CAB	12-000-TOC
13-000-TOC	AIR CONDITIONING AND HEATING SYSTEM	13-000-TOC
14-000-TOC	CHASSIS	14-000-TOC
15-000-TOC	DECALS	15-000-TOC
16-000-TOC	WHEELS	16-000-TOC
17-000-TOC	FEEDING SYSTEM	17-000-TOC
18-000-TOC	THRESHING SYSTEM	18-000-TOC
19-000-TOC	CLEANING SYSTEM	19-000-TOC
20-000-TOC	GRAIN BIN AND ELEVATOR SYSTEM	20-000-TOC
21-000-TOC	DISCHARGE SYSTEM	21-000-TOC
22-000-TOC	PRECISION FARMING SYSTEMS	22-000-TOC
23-000-TOC	ACCESSORIES	23-000-TOC

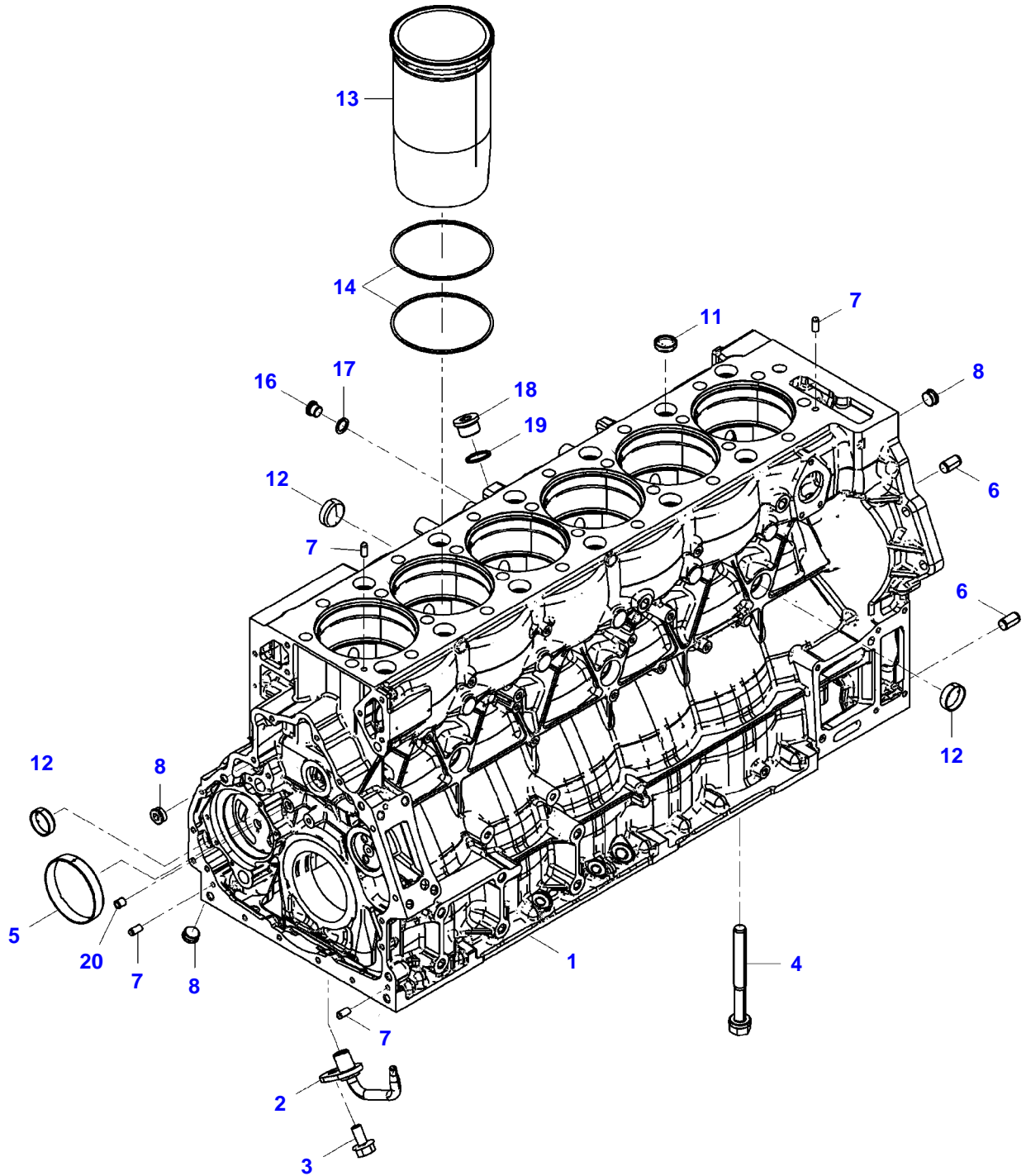
Page Number	Page Title	Page Reference
01-0001	ENGINE - RETAINER ENGINE : STAGE 4	1MDL2440268
01-0002	CRANKCASE ENGINE : STAGE 4	1MDL2440269
01-0003	TIMING GEARS AND HOUSING ENGINE : STAGE 4	1MDL2440273
01-0004	FLYWHEEL AND HOUSING ENGINE : STAGE 4	1MDL2440276
01-0005	CRANKSHAFT AND PISTONS ENGINE : STAGE 4	1MDL2440280
01-0006	CAMSHAFT AND VALVE ENGINE : STAGE 4	1MDL2440292
01-0007	CYLINDER HEAD AND VALVES ENGINE : STAGE 4	1MDL2440296
01-0008	VALVE COVER ENGINE : STAGE 4	1MDL2440300
01-0009	AIR INTAKE ENGINE : STAGE 4	1MDL2440301
01-0010	EXHAUST MANIFOLD ENGINE : STAGE 4	1MDL2440303
01-0011	TURBO-CHARGER ENGINE : STAGE 4	1MDL2440304
01-0012	EXHAUST GAS RECIRCULATION (EGR) ENGINE : STAGE 4	1MDL2440305
01-0013	OIL PUMP AND SUMP ENGINE : STAGE 4	1MDL2440309
01-0014	OIL COOLER AND FILTER ENGINE : STAGE 4	1MDL2440312
01-0015	COOLANT PIPING ENGINE : STAGE 4	1MDL2440316
01-0016	COOLANT PUMP AND THERMOSTAT ENGINE : STAGE 4	1MDL2440318
01-0017	FUEL INJECTION SYSTEM ENGINE : STAGE 4	1MDL2440862
01-0018	FUEL FILTERS ENGINE : STAGE 4	1MDL2440899
01-0019	ELECTRONIC ENGINE MANAGEMENT - SENSOR ENGINE : STAGE 4	1MDL2440906
01-0020	ELECTRONIC ENGINE MANAGEMENT - WIRING HARNESS ENGINE : STAGE 4	1MDL2440942
01-0021	ELECTRONIC ENGINE MANAGEMENT - SUPPORT BRACKET ENGINE : STAGE 4	1MDL2440944
01-0022	WIRING HARNESS - INJECTOR ENGINE : STAGE 4	1MDL2440945
01-0023	BELT TENSIONER ENGINE : STAGE 4	1MDL2440947
01-0024	ENGINE GASKETS SETS ENGINE : STAGE 4	1MDL2440948
01-0025	SPECIAL OVERHAUL PARTS ENGINE : STAGE 4	1MDL2440949
01-0026	DEF - FILTERS ENGINE : STAGE 4	1MDL2440955



23262965-M-1

Item	Part Number	Qty	Description Comments	Technical Specification
ENGINE : STAGE 4				
1	ACW1207570	1	ENGINE	12.4L ST4
2	ACP0353630	2	ENGINE MOUNT	
3	ACP0353270	8	LOCK SCREW	M14X50-12.9-MAN183-B1

IDEAL 8 COMBINE (2018) (ZN2C0007P03010001-999)
23263125-M-1

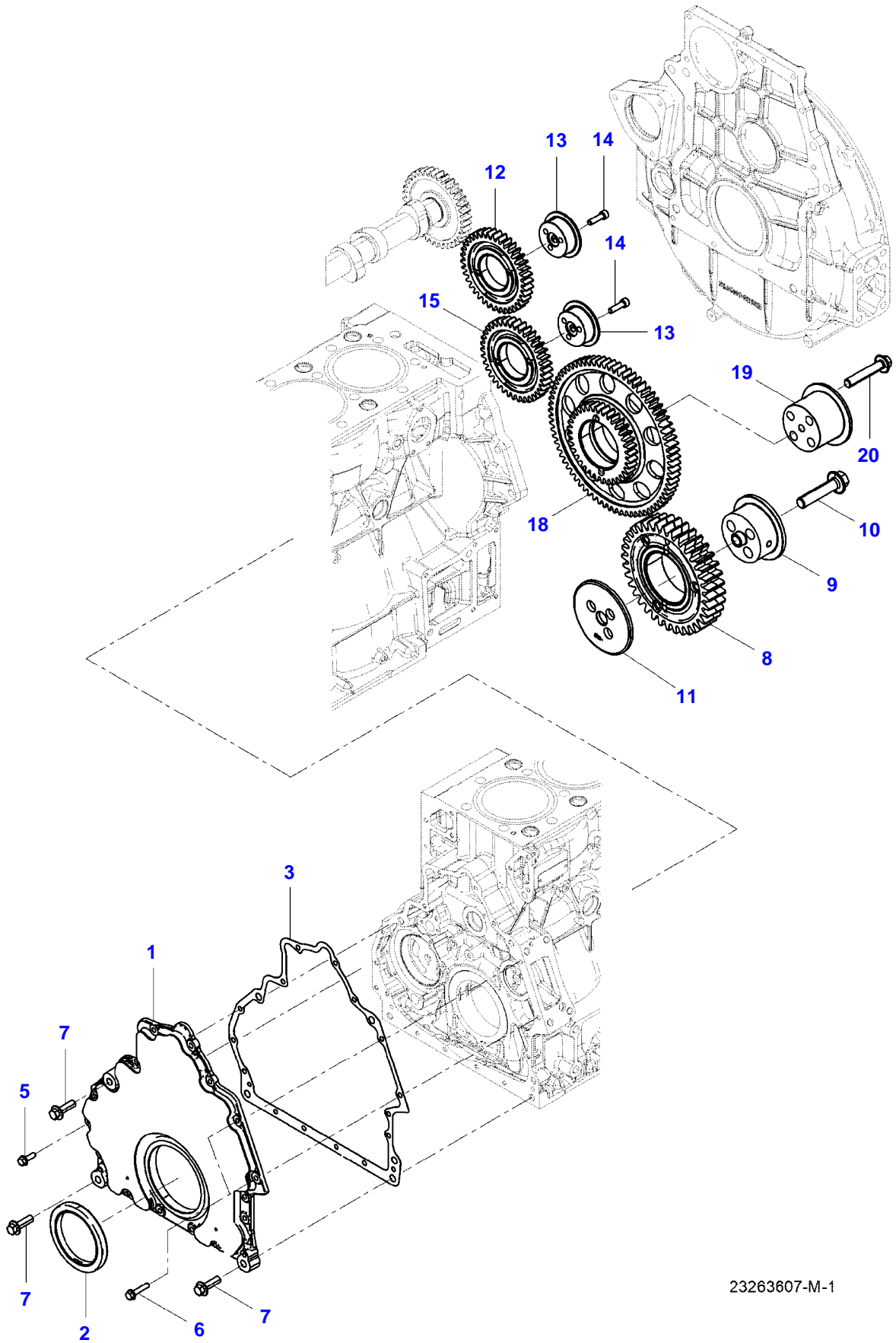


23263125-M-1

CRANKCASE

Item	Part Number	Qty	Description Comments	Technical Specification
ENGINE : STAGE 4				
1	ACP0353470	1	CRANKCASE	
2	72624342	6	OIL SPLASH NOZZLE	
3	ACP0410440	6	HEX BOLT, WITH COLLAR	M6X12-10.9
4	72624532	14	HEX BOLT, WITH COLLAR	M18X2X160,5-10.9
5	72624564	1	BEARING BUSH	D=102X18
6	72624289	2	DOWEL	16H8X24-ST50-2K
7	72624290	4	DOWEL	8M6X18
8	72624540	3	PLUG SCREW	M22X1,5X9-5.8
11	72311428	12	COVER	
12	72624556	6	CAP COVER	A40,3/14,5-X5CRNI1810N
13	72624337	6	CYLINDER LINER	
14	ACP0425080	12	PROFILED CORD SEAL	
16	72624272	1	PLUG SCREW	M16X1,5-ST-M3360-RK9-K
17	72624304	1	SEALING WASHER	16,3X24X1,5-ST/FKM1-80
18	72624273	1	PLUG SCREW	M24X1,5-ST-M3360-RK12-K
19	72624297	1	SEALING WASHER	A26X31-CU
20	72624286	1	SEALING PLUG	6X5-C15PB/9SMNPB28K-BK/BK

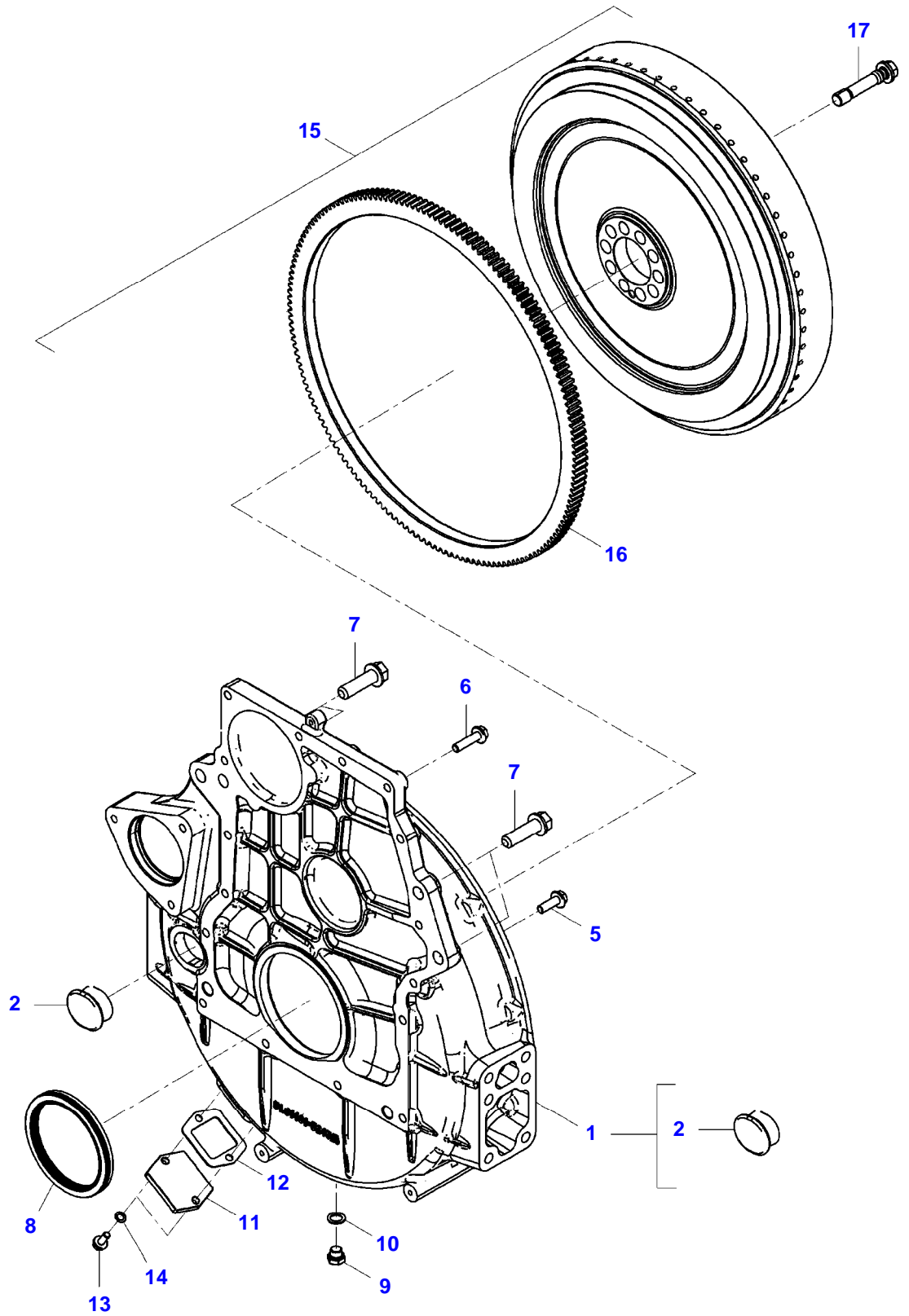
IDEAL 8 COMBINE (2018) (ZN2C0007P03010001-999)
23263607-M-1



23263607-M-1

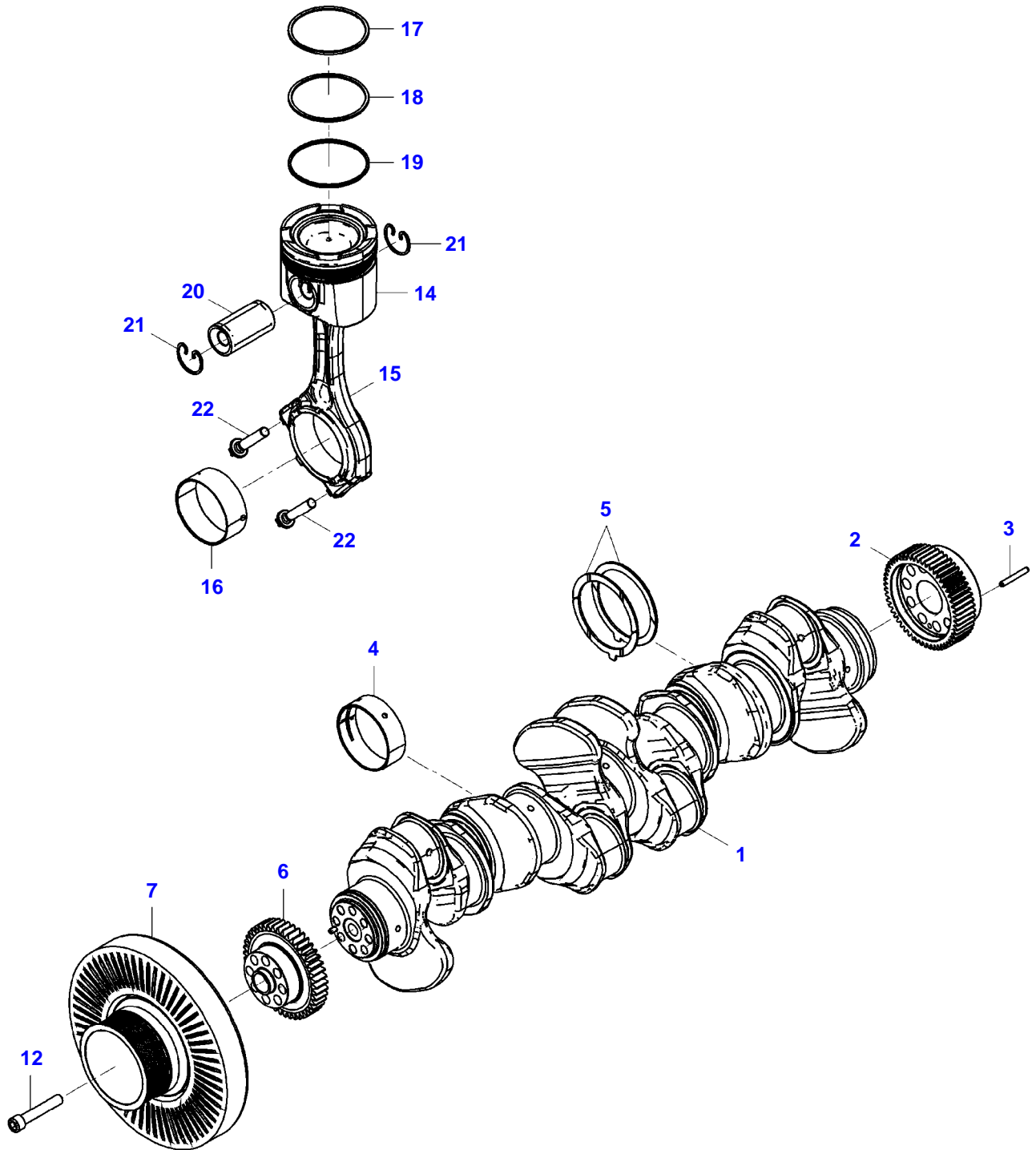
Item	Part Number	Qty	Description Comments	Technical Specification
ENGINE : STAGE 4				
1	72624339	1	LID	
2	72624340	1	RADIAL SHAFT LIP SEAL	100X130X12
3	72624345	1	HOUSING GASKET	
5	72624231	12	HEX FLANGE CAPSCREW	M8X25-10.9
6	72624234	2	HEX FLANGE CAPSCREW	M8X40-10.9
7	72624250	3	HEX FLANGE CAPSCREW	M12X40-10.9
8	72629236	1	GEAR,IDLER AIR PRESSER	
9	72629237	1	HUB	
10	72624251	3	HEX FLANGE CAPSCREW	M12X55-10.9
11	72624551	1	THRUST WASHER	
12	72624387	1	GEAR,IDLER	
13	72629228	2	HUB	
14	72624213	6	SOCKET HEAD BOLT	M8X30-10.9
15	72624386	1	GEAR,IDLER	
18	72624385	1	GEAR,IDLER	
19	72629229	1	HUB	
20	72624253	4	HEX FLANGE CAPSCREW	M14X80-10.9

IDEAL 8 COMBINE (2018) (ZN2C0007P03010001-999)
23263809-M-1



23263809-M-1

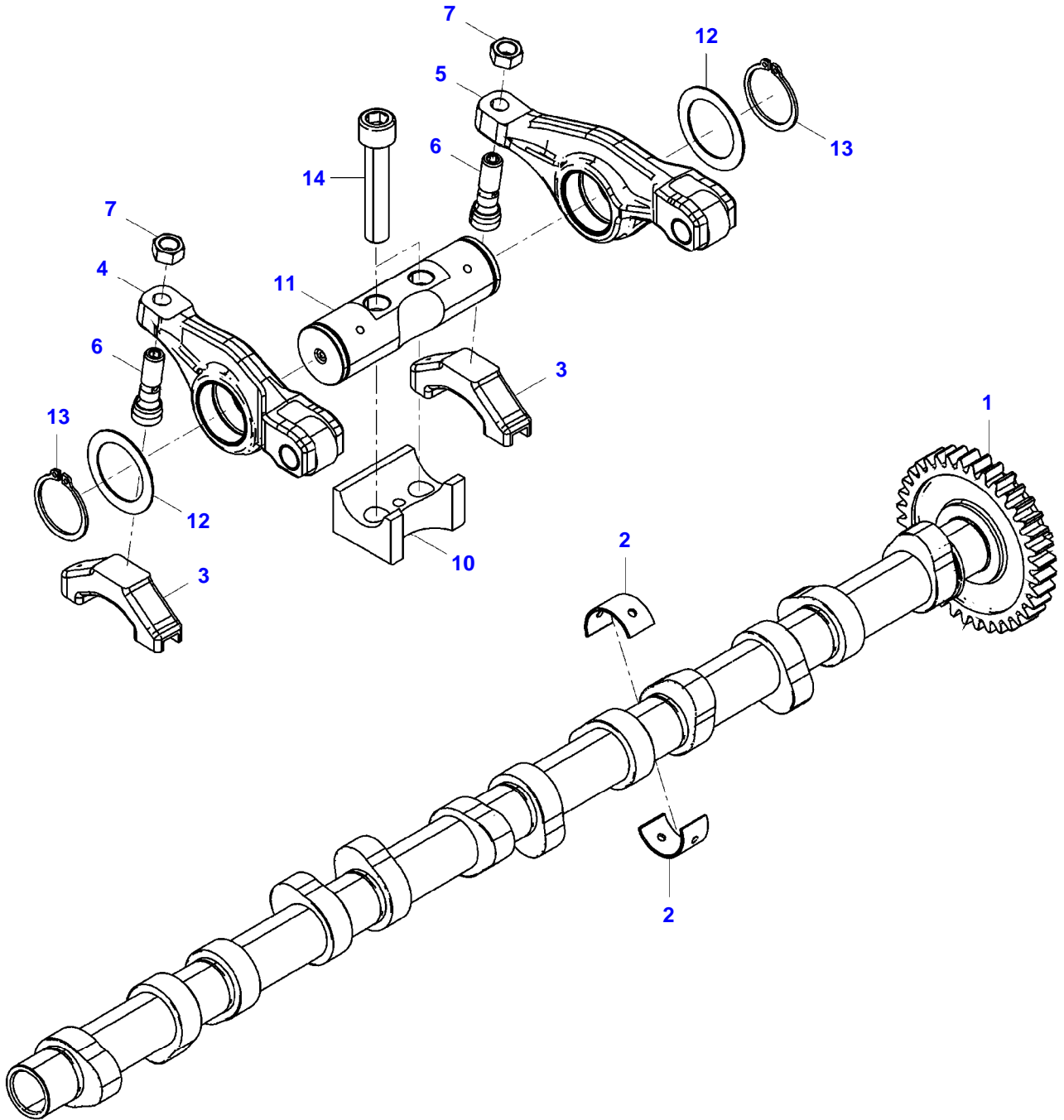
Item	Part Number	Qty	Description Comments	Technical Specification
ENGINE : STAGE 4				
1	ACP0426890	1	FLYWHEEL HOUSING	
2	ACP0353770	1	RUBBER PLUG	46/38X19-59/51-CR2-70
5	ACP0353330	9	HEX FLANGE CAPSCREW	M10X30-10.9-MAN183-B1
6	ACP0353340	7	HEX FLANGE CAPSCREW	M10X40-10.9-MAN183-B1
7	ACP0353260	4	HEX BOLT, WITH COLLAR	M16X1,5X55-MAN183-B1
8	72624341	1	RADIAL SHAFT LIP SEAL	115X140X12LD-ACM/PTFE
9	ACP0353350	1	PLUG SCREW	AM14X1,5-ST-MAN183-B1
10	72624303	1	SEALING WASHER	14,3X22X1,5-ST/FKM1-80
11	ACP0353880	1	BLANK FLANGE	
12	ACP0353830	1	GASKET	
13	72624230	2	HEX FLANGE CAPSCREW	M8X20-10.9
14	ACP0353380	2	SEALING WASHER	8,3X14X1-ST/FKM1-80
15	ACP0426900	1	FLYWHEEL INCLUDES ITEMS 16	
16	ACP0427450	1	STARTER RING	
17	ACP0426920	10	HEX BOLT, WITH COLLAR	M16X1,5X81-12.9



23263898-M-1

Item	Part Number	Qty	Description Comments	Technical Specification
ENGINE : STAGE 4				
1	ACP0353530	1	CRANKSHAFT	
2	ACP0426880	1	CRANKSHAFT GEAR	
3	72624291	1	SPIRAL PIN	8X60-ST
4	72624330	7	MAIN BEARING	
5	72624336	2	THRUST WASHER	
6	72624349	1	CRANKSHAFT GEAR	
7	ACP0357940	1	CRANKSHAFT VIBRATION DAMPENER	
12	ACP0353250	8	SOCKET HEAD BOLT	M16X1,5X90-10.9-MAN183-B1
14	ACP0427070	6	PISTON	
15	72627504	6	PISTON ROD	340X115X43
16	72624357	6	CONROD BEARING	D=95X36
17	ACP0427080	1	TRAP.SECTION RG.	
18	ACP0427090	1	CHAMFER PIST.RG.	
19	ACP0427100	1	U/MKME-CHAMF.RG.	
20	ACP0427110	1	PISTON PIN	
21	72624553	2	SNAPRING	52X2-FDST
22	72624545	2	HEXAGON FLANGE BOLT	M13X1,5X66-11.9

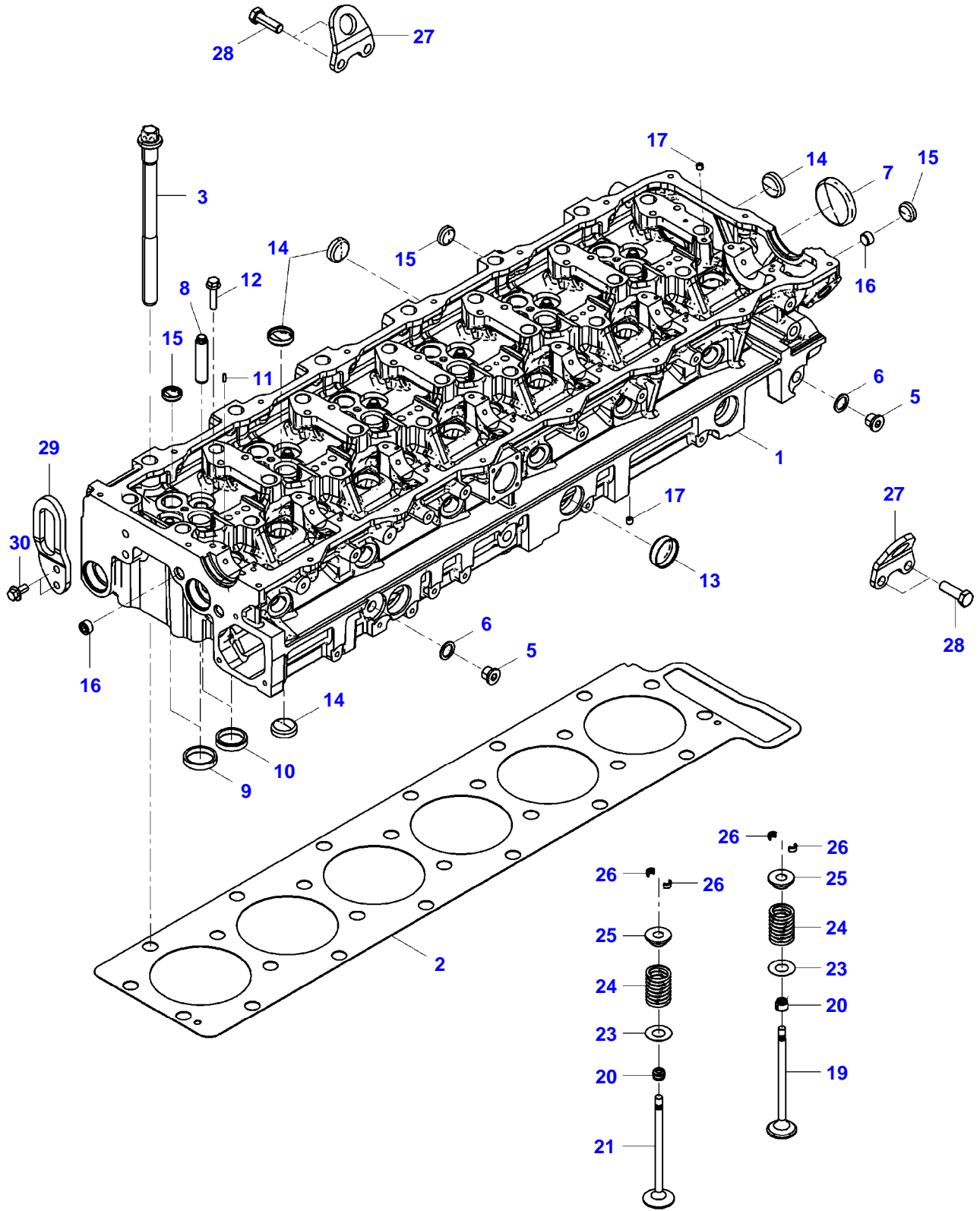
IDEAL 8 COMBINE (2018) (ZN2C0007P03010001-999)
23264222-M-1



23264222-M-1

Item	Part Number	Qty	Description Comments	Technical Specification
ENGINE : STAGE 4				
1	72624383	1	CAMSHAFT	
2	72624384	14	CAMSHAFT BUSHING	D=45X26
3	72624377	12	VALVE BRIDGE	
4	72624378	1	ROCKER ARM	
5	72624379	1	ROCKER ARM	
6	72624382	2	ADJUSTING SCREW	
7	72313252	2	NUT	
10	72629239	1	BEARING SUPPORT	
11	72624381	1	ROCKER SHAFT ASM	
12	72624547	2	SHIM RING	32X45D12X1-DIN1544
13	72624292	2	LOCK WASHER	32X1,50-ZNPHR5F
14	72624215	2	SOCKET HEAD BOLT	M12X60-10.9

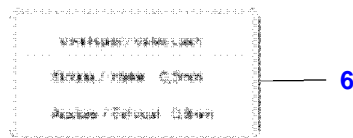
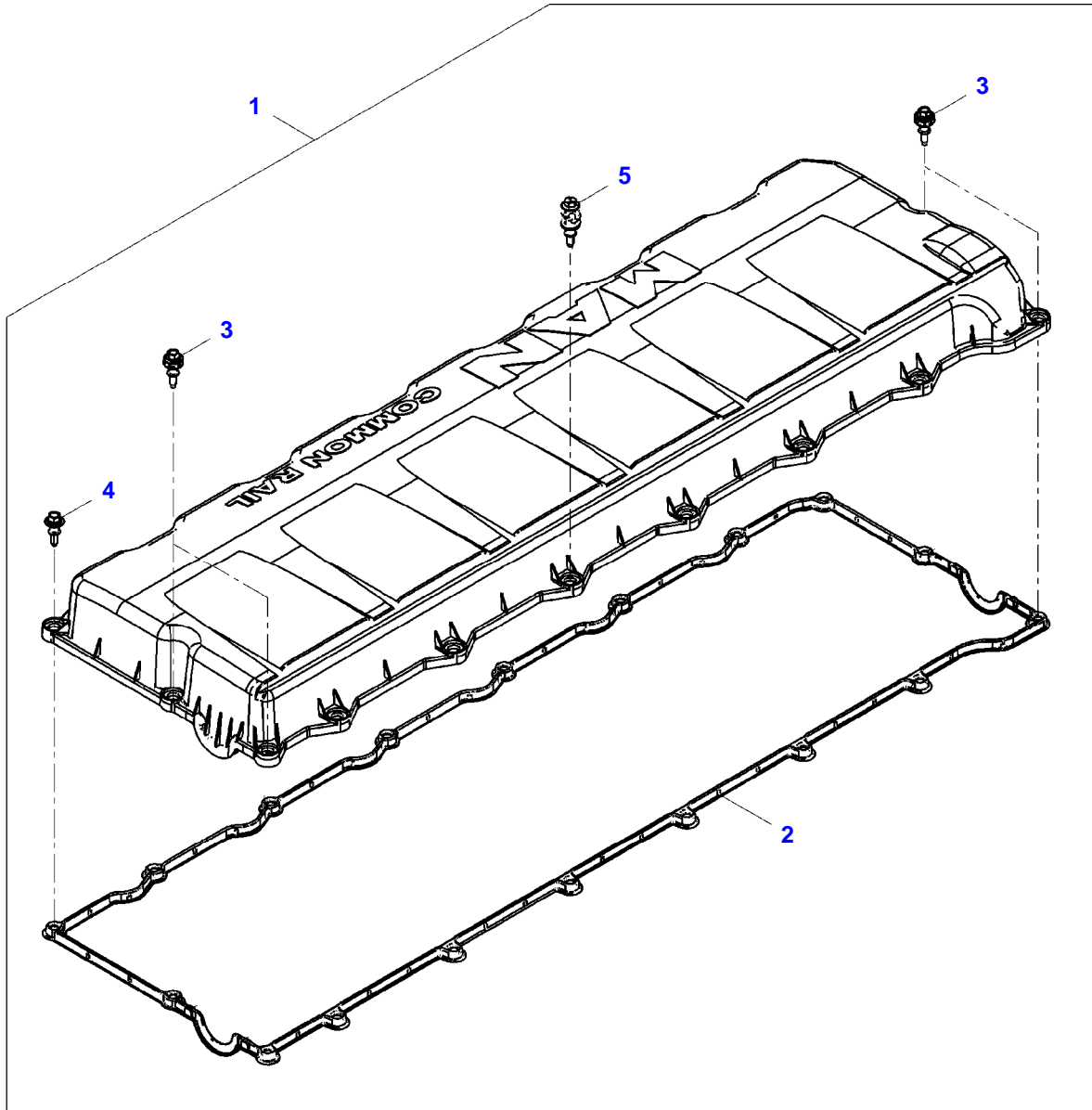
IDEAL 8 COMBINE (2018) (ZN2C0007P03010001-999)
23264576-M-1



23264576-M-1

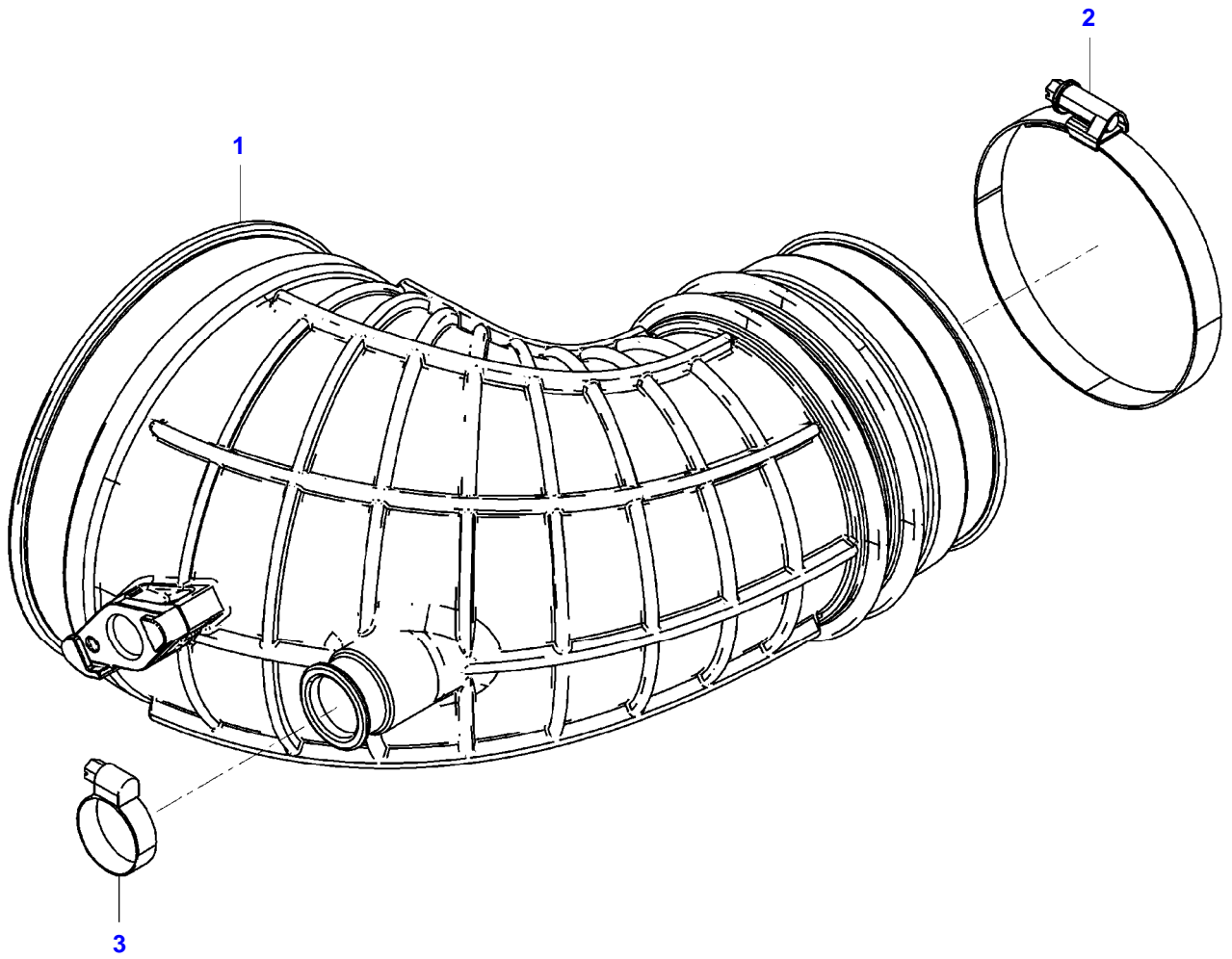
Item	Part Number	Qty	Description Comments	Technical Specification
ENGINE : STAGE 4				
1	ACP0427140	1	CYLINDER HEAD	
2	72624371	1	CYLINDER HEAD GASKET	
3	72630163	26	HEXAGON FLANGE BOLT	M18X2X246
5	72624272	3	PLUG SCREW	M16X1,5-ST-M3360-RK9-K
6	72624304	3	SEALING WASHER	16,3X24X1,5-ST/FKM1-80
7	72624558	1	CAP COVER	A63,1/12,5-X5CRNI1810N
8	72624367	24	VALVE GUIDE	
9	72624369	12	VALVE SEAT RING INLET	
10	ACP0427150	12	VALVE SEAT RING OUTLET	
11	72624287	14	DOWEL	4H8X10-ST50-2K
12	72624217	14	HEX FLANGE CAPSCREW	M8X35-8.8
13	72311424	3	COVER	
14	72311428	38	COVER	
15	72311429	15	COVER	
16	72624541	4	PLUG SCREW	M16X1,5-ST-M3360-RK8-K
17	72417088	2	SEALING PLUG	
19	72629225	12	EXHAUST VALVE	
20	72624390	24	VALVE STEM SEAL	
21	72624372	12	INLET VALVE	
23	72624548	24	SHIM	16,5X34X0,5-C67S+OT
24	72624374	24	VALVE SPRING	
25	72624375	24	VALVE SPRING RETAINER	
26	72624376	48	VALVE SPRING KEY	
27	ACP0353640	2	SUSPENSION EYE	
28	ACP0353240	4	HEXAGONAL HEAD BOLT	M16X30-8.8-MAN183-A3C
29	ACP0353650	1	SUSPENSION EYE	
30	72624209	2	HEXAGONAL HEAD BOLT	M12X30SK-10.9

IDEAL 8 COMBINE (2018) (ZN2C0007P03010001-999)
23264720-M-1



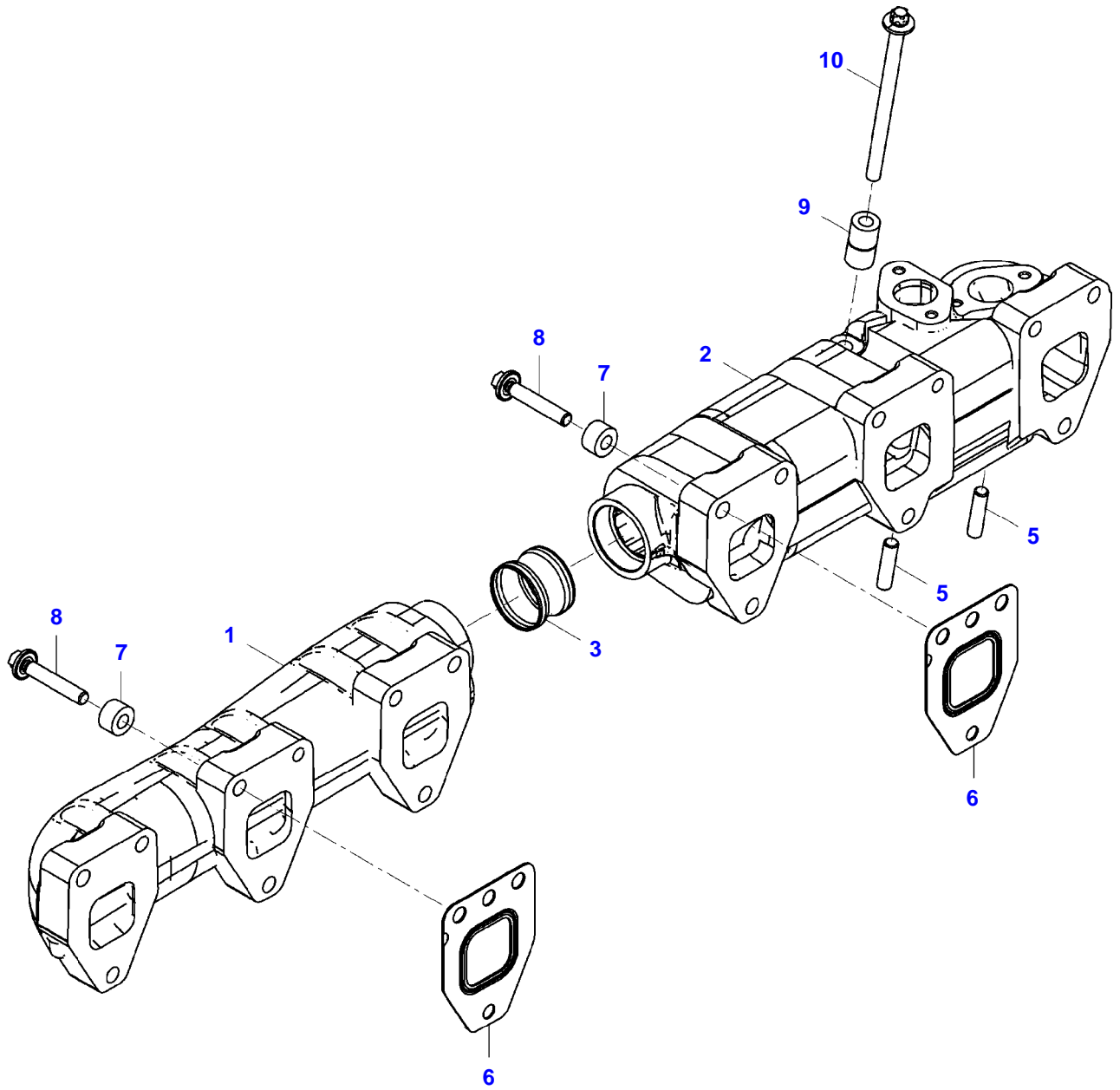
23264720-M-1

Item	Part Number	Qty	Description Comments
			ENGINE : STAGE 4
1	72624370	1	CYLINDER HEAD COVER INCLUDES ITEMS 2-5
2	ACP0153600	1	CYLINDER HEAD COVER SEAL
3	72624570	4	INSULATING MATERIAL
4	72624571	8	BUSHING
5	72624546	6	SCREW
6	ACP0428260	1	NOTE PLATE VALVES



23264734-M-1

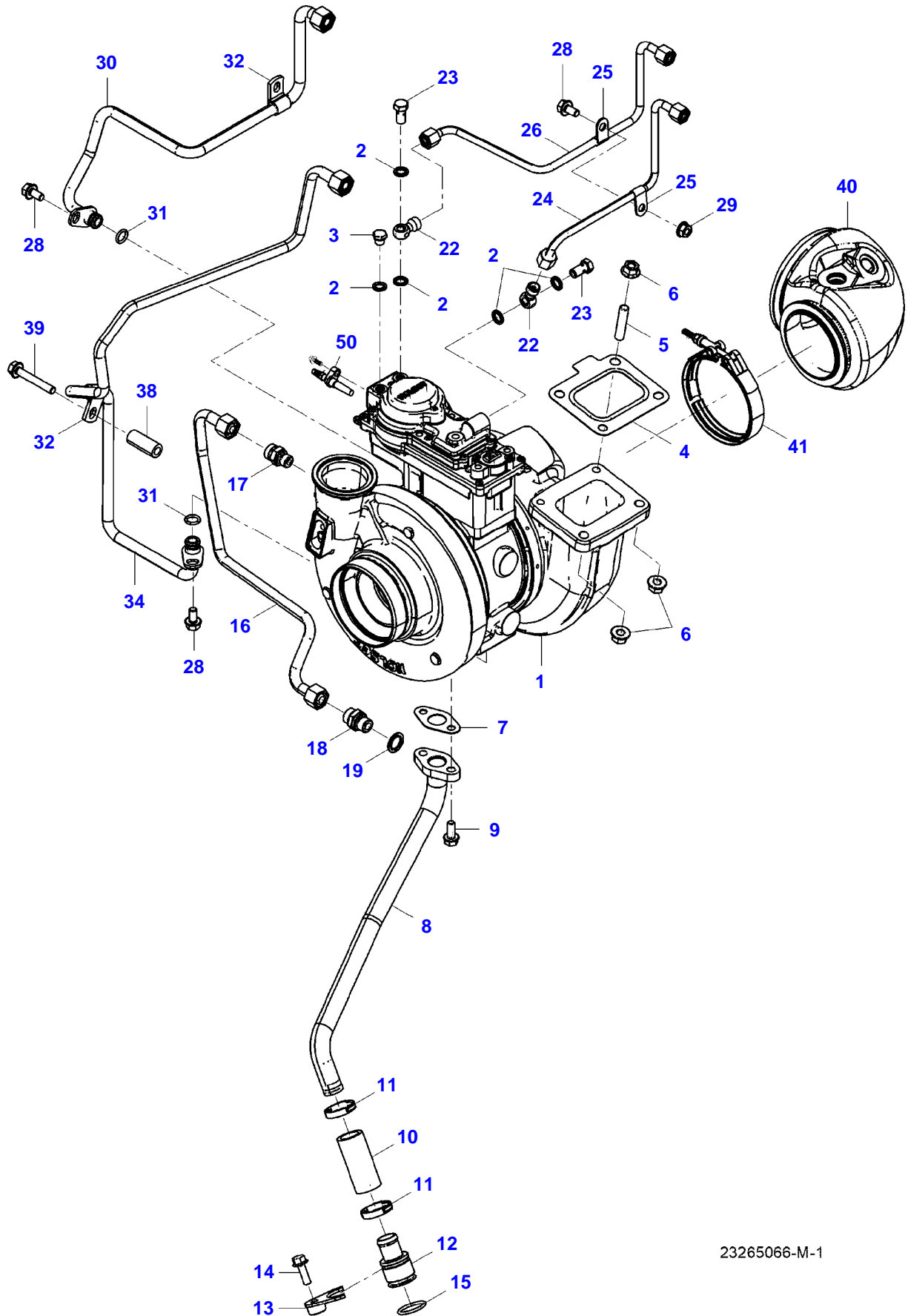
Item	Part Number	Qty	Description Comments	Technical Specification
			ENGINE : STAGE 4	
1	ACP0300480	1	AIR TUBE	
2	ACP0353440	1	HOSE CLIP	
3	ACP0353430	1	HOSE CLIP	L20-32



23264836-M-1

Item	Part Number	Qty	Description Comments	Technical Specification
ENGINE : STAGE 4				
1	72624440	1	EXHAUST ELBOW	
2	72627944	1	EXHAUST ELBOW	
3	72624442	1	CONNECTING PIECE	
5	72624538	2	STUD BOLT	M10X30-SD
6	72624452	6	GASKET	
7	ACP0353750	18	BUSHING	10,5X22X13
8	72315395	18	WASHER HEAD BOLT	
9	72624563	1	BUSHING	10,5X20X37-21CRMOV57V
10	72624544	1	HEXAGON FLANGE BOLT	M10X145-1.4980-E14-SD

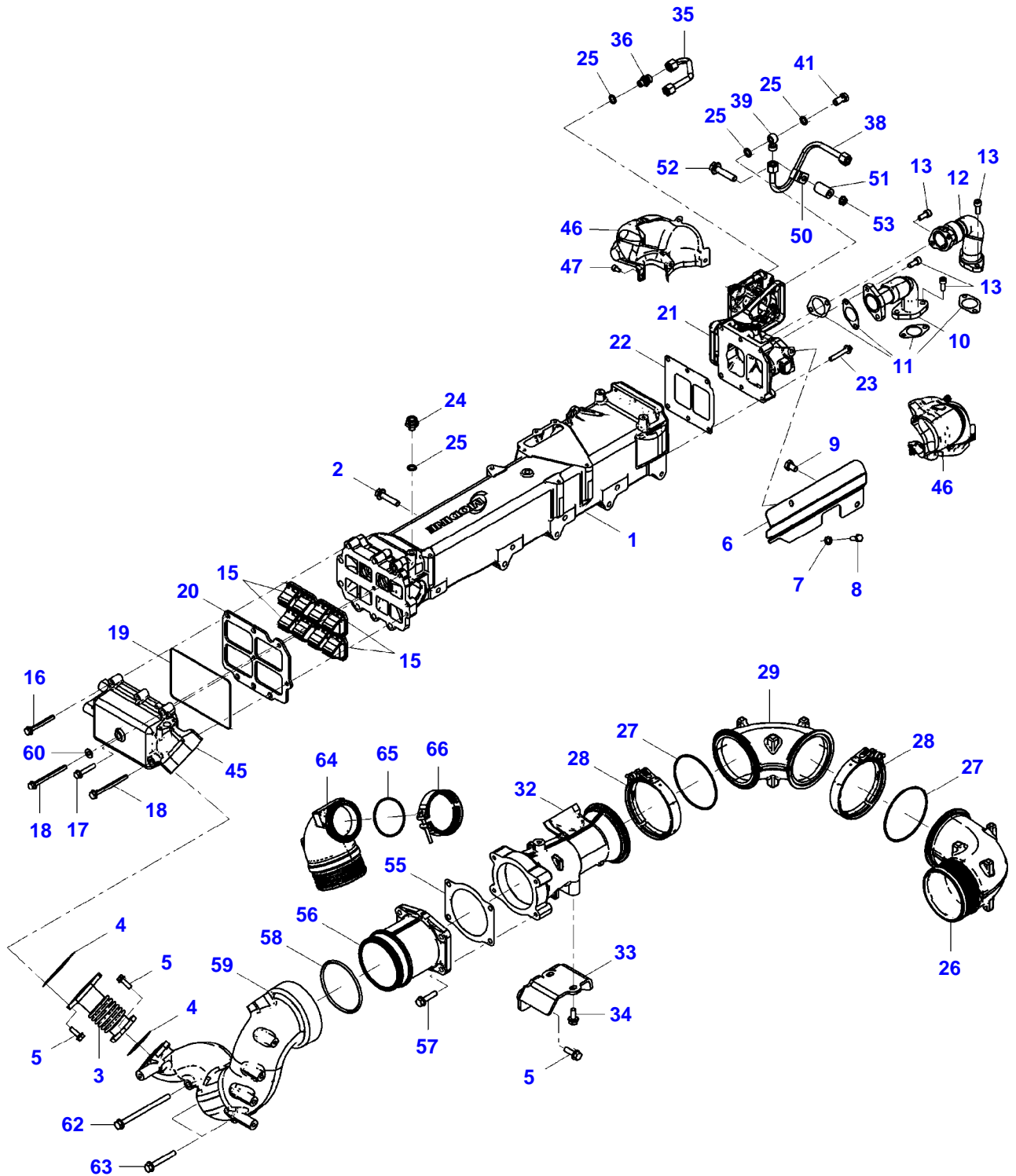
IDEAL 8 COMBINE (2018) (ZN2C0007P03010001-999)
23265066-M-1



23265066-M-1

Item	Part Number	Qty	Description Comments	Technical Specification
ENGINE : STAGE 4				
1	ACP0300490	1	TURBOCHARGER	
2	72624301	5	SEALING WASHER	10,3X16X1,5-ST/FKM1-80
3	72608291	1	SCREW	
4	72624453	1	GASKET	
5	72624539	1	STUD BOLT	M10X35-SD
6	72624276	3	SHOULDER HEX NUT	M10-GA-C3J
7	72624454	1	GASKET	
8	72624402	1	OIL RETURN LINE	
9	72624230	2	HEX FLANGE CAPSCREW	M8X20-10.9
10	72312632	1	HOSE	
11	72624590	2	HOSE CLIP	29,9-33,1
12	72624601	1	HOSE BARB	22/33F8X30-11SMNPB30-P3K
13	72624328	1	HOLDER	
14	72624231	1	HEX FLANGE CAPSCREW	M8X25-10.9
15	72624300	1	O-RING SEAL	28X3B-FPM1-80-GN
16	72624401	1	OIL PRESSURE LINE	
17	72624602	1	SOCKET	
18	72624321	1	THREADED SOCKET	L12A-M-ST
19	72624304	1	SEALING WASHER	16,3X24X1,5-ST/FKM1-80
22	72624594	2	BANJO UNION	D10,1/M14X1,5
23	72627849	2	BANJO BOLT	
24	72624415	1	COOLANT LINE INCLUDES ITEMS 25	
25	72624585	2	TUBE CLAMP	A8X16X28-9-UST37-2
26	72624416	1	COOLANT LINE INCLUDES ITEMS 25	
28	72624229	4	HEX FLANGE CAPSCREW	M8X16-10.9
29	72624275	1	SHOULDER HEX NUT	M8-8SC-8-SW13
30	ACP0427160	1	COOLANT LINE INCLUDES ITEMS 31,32	
31	ACP0353400	2	SEALING WASHER	12,42X1,78N-FKM2-70
32	72624584	2	TUBE CLAMP	B12,1X20X33-9X13-UST37-2
34	ACP0427170	1	COOLANT LINE INCLUDES ITEMS 31,32	
38	ACP0353720	1	BUSHING	9X16X39-9SMNPB28K-A3C
39	72624235	1	HEX FLANGE CAPSCREW	M8X55-10.9
40	ACP0427180	1	EXHAUST MANIFOLD	
41	72624591	1	PROFILE CLIP	
50	72624517	1	ENGINE SPEED SENSOR	

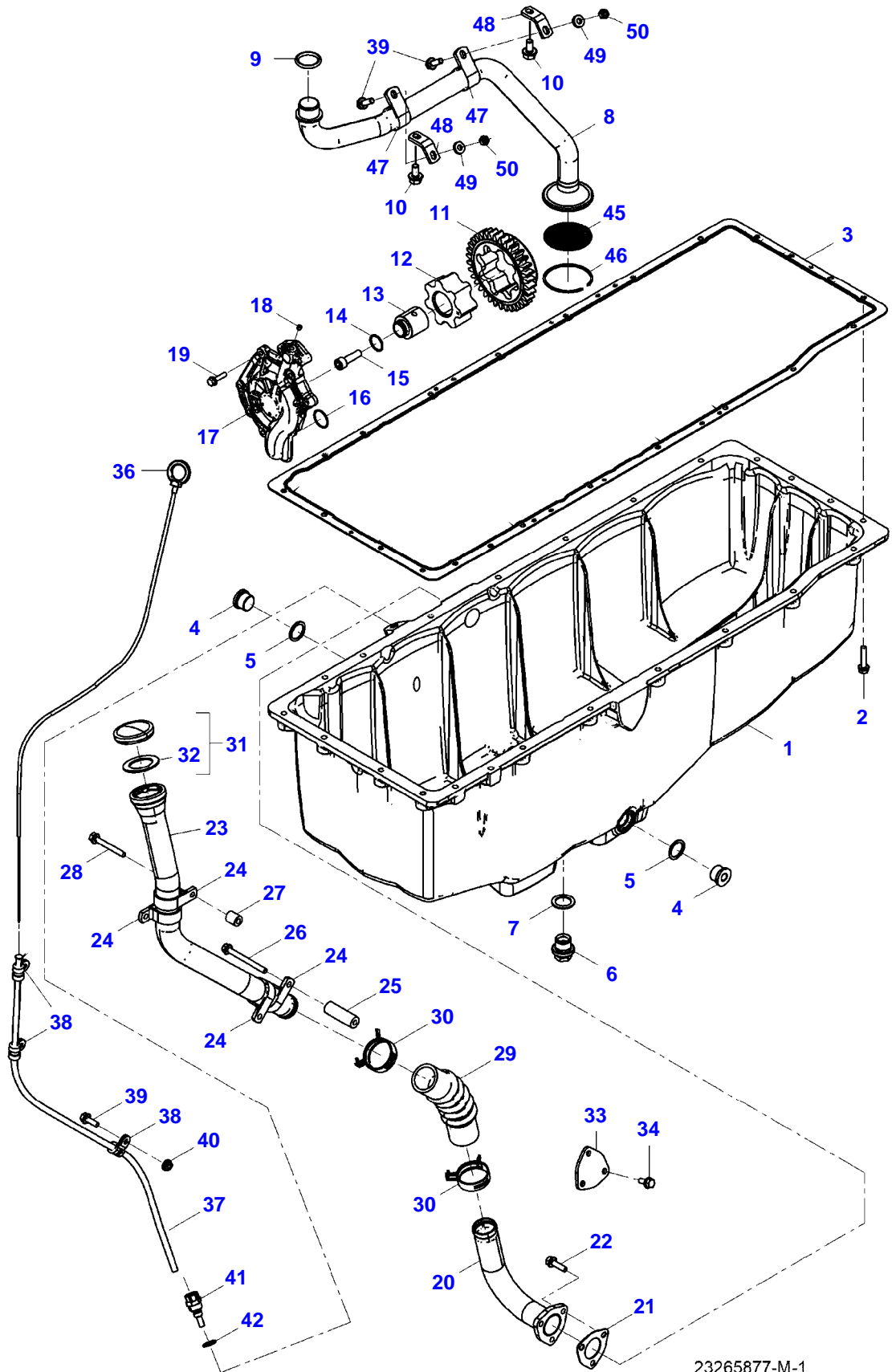
IDEAL 8 COMBINE (2018) (ZN2C0007P03010001-999)
23265314-M-1



23265314-M-1

Item	Part Number	Qty	Description Comments	Technical Specification
ENGINE : STAGE 4				
1	ACP0300440	1	EGR-MODULE	
2	72624242	8	HEX FLANGE CAPSCREW	M10X45-10.9
3	72624447	1	EXHAUST PIPE	
4	72624450	2	GASKET	
5	72624231	6	HEX FLANGE CAPSCREW	M8X25-10.9
6	72624443	1	HEAT SHIELD	
7	72649375	1	WASHER	8X16X1,6-200HV
8	72624208	1	HEXAGONAL HEAD BOLT	M8X20-8.8-C3J
9	72624222	1	HEX FLANGE CAPSCREW	M10X16-8.8
10	72639751	1	EXHAUST PIPE	
11	72639752	4	GASKET	
12	ACP0405500	1	EXHAUST PIPE	
13	72624535	8	SOCKET HEAD BOLT	M8X20-GA-C3J
15	72624662	4	CHECK VALVE	
16	72455491	7	HEXAGONAL HEAD BOLT	
17	72624663	1	HEX FLANGE CAPSCREW	M8X45-10.9
18	72629238	2	HEX FLANGE CAPSCREW	
19	72624451	1	SEALING WASHER	
20	72624445	1	SPACER PLATE	
21	ACP0300500	1	EGR VALVE	
22	72624666	1	GASKET	143X136X0,29
23	72624667	6	HEXAGON FLANGE BOLT	M8X50-1.7709-E12-GA
24	72624605	1	HOSE COUPLER	
25	72624302	4	SEALING WASHER	12,3X18X1,5-ST/FKM1-80
26	ACP0358910	1	CHARGE AIR ELBOW	
27	ACP0353410	2	SEALING WASHER	101,2X2,62N-FPM1-70-GN
28	ACP0353870	2	PROFILE CLIP	
29	ACP0427950	1	CHARGE AIR ELBOW	
32	ACP0427960	1	CHARGE AIR TUBE	
33	ACP0427970	1	HOLDER	
34	72624230	2	HEX FLANGE CAPSCREW	M8X20-10.9
35	72624418	1	COOLANT LINE	
36	72624323	1	THREADED SOCKET	L10A-M12X1,5-ST
38	72629735	1	COOLANT LINE	
39	72310189	1	RING FITTING	
41	72624325	1	BANJO BOLT	8-M3360-RK5-K
45	72624444	1	HOUSING	
46	ACP0427990	1	INSULATION	
47	ACP0428000	6	SOCKET HEAD BOLT	M6X10-8.8-A2C
50	72629736	1	TUBE CLAMP	
51	72425791	1	SPACER BUSHING	
52	72433860	1	TORX SCREW	
53	72629737	1	SHOULDER HEX NUT	M8
55	ACP0353620	1	GASKET	
56	ACP0358950	1	SPACER PART	
57	72624233	4	HEX FLANGE CAPSCREW	M8X35-10.9
58	ACP0353390	1	SEALING WASHER	92X4,5N-NBR3-70
59	ACP0427980	1	CHARGE AIR ELBOW	
60	ACP0353890	1	SEALING WASHER	9,5X20X1-CU
62	ACP0353310	1	HEX FLANGE CAPSCREW	M8X120-10.9-MAN183-B1
63	ACP0353290	2	HEX FLANGE CAPSCREW	M8X60-10.9-MAN183-B1
64	ACP0353600	1	CHARGE AIR ELBOW	
65	ACP0353810	1	GASKET	
66	ACP0353850	1	PROFILE CLIP	76X20-W1-2

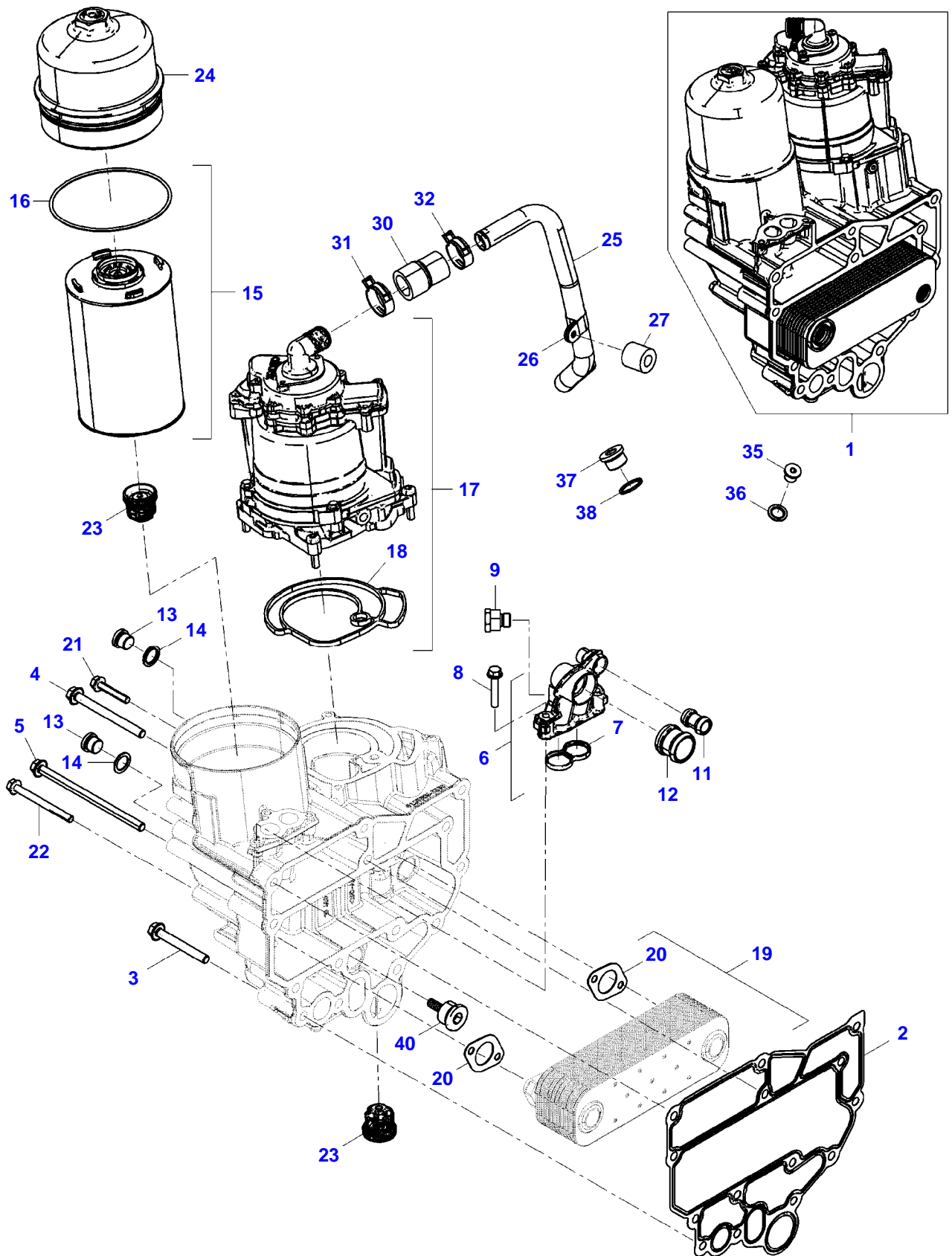
IDEAL 8 COMBINE (2018) (ZN2C0007P03010001-999)
23265877-M-1



23265877-M-1

Item	Part Number	Qty	Description Comments	Technical Specification
ENGINE : STAGE 4				
1	ACP0427190	1	OIL SUMP	
2	72624234	22	HEX FLANGE CAPSCREW	M8X40-10.9
3	ACP0353580	1	OIL PAN GASKET	
4	72649374	2	PLUG SCREW	M26X1,5-ST-A3C
5	72376037	2	SEALING WASHER	DIN 7603 A26X34-CU
6	ACP0353690	1	PLUG SCREW	M26X1,5X20-9SMNPB28K-PM
7	ACP0353820	1	GASKET	
8	ACP0427200	1	OIL SUCTION LINE	
9	72624309	1	O-RING SEAL	32X5N-FPM1-70-GN
10	72624229	2	HEX FLANGE CAPSCREW	M8X16-10.9
11	72624394	1	HOLLOW GEAR	
12	72624393	1	PUMP DRIVING GEAR	
13	72624395	1	AXLE	
14	72624306	1	O-RING SEAL	22X2N-FPM1-70-GN
15	72624211	1	SOCKET HEAD BOLT	M10X35-10.9
16	72624307	1	O-RING SEAL	25,12X1,78N-FPM1-70-GN
17	72624392	1	OIL PUMP COVER	
18	72417088	1	SEALING PLUG	
19	72624227	8	HEX FLANGE CAPSCREW	M6X25-10.9
20	ACP0358440	1	OIL FILLER NECK	
21	ACP0353520	1	GASKET	
22	72624232	3	HEX FLANGE CAPSCREW	M8X30-10.9
23	ACP0427220	1	FILLING PIPE	
24	ACP0353840	4	PROFILE CLIP	A38X20X44-9-UST37-2
25	ACP0353710	1	BUSHING	8,5X20X60-ST35NBK
26	ACP0353320	1	HEX FLANGE CAPSCREW	M8X85-10.9-MAN183-B1
27	ACP0353700	1	BUSHING	9X18X20-9SMNPB28K
28	ACP0353300	1	HEX FLANGE CAPSCREW	M8X65-10.9-MAN183-B1
29	ACP0353790	1	CORRIGATED HOSE	38X38X190-MAN333
30	ACP0353450	2	SPRING BAND CLAMP	A-49X15
31	72311395	1	COVER	
32	72312231	1	SEAL	
33	72624595	1	BLANK FLANGE	
34	72624230	3	HEX FLANGE CAPSCREW	M8X20-10.9
36	ACP0427230	1	DIPSTICK	
37	ACP0427240	1	GUIDE TUBE	
38	72608293	3	CLIP	
39	72624231	3	HEX FLANGE CAPSCREW	M8X25-10.9
40	ACP0353360	3	LOCKNUT	M8-10-MAN183-B1
41	ACP0408060	1	SCREW NECK	
42	72624303	1	SEALING WASHER	14,3X22X1,5-ST/FKM1-80
45	72624403	1	SIEVE	
46	72624554	1	SNAPRING	73X78,6X2
47	72624588	2	TUBE CLAMP	B32,2X25X46-9X13-S235JRFU-A3C
48	ACP0427210	2	HOLDER	
49	ACP0407730	2	WASHER	9X19X4
50	72624278	2	LOCKNUT	BM8-8

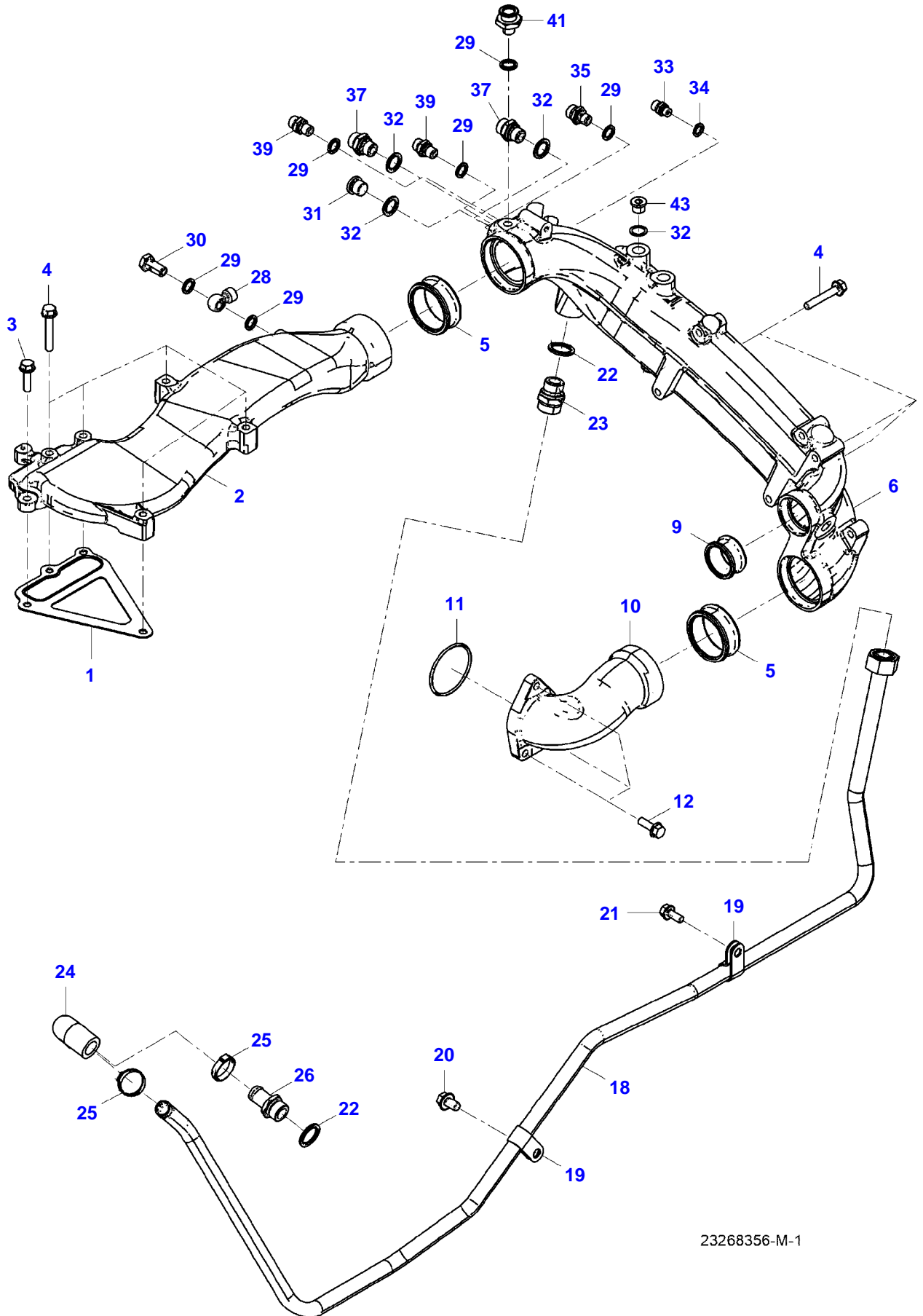
IDEAL 8 COMBINE (2018) (ZN2C0007P03010001-999)
23267763-M-1



23267763-M-1

Item	Part Number	Qty	Description Comments	Technical Specification
ENGINE : STAGE 4				
1	ACP0300530	1	OIL MODULE ASSEMBLY INCLUDES ITEMS 15-24	
2	ACP0411280	1	GASKET	
3	72624244	8	HEX FLANGE CAPSCREW	M10X80-10.9
4	72627945	4	HEX FLANGE CAPSCREW	M10X160
5	72627915	2	HEX FLANGE CAPSCREW	
6	ACP0353570	1	FLANGE INCLUDES ITEMS 7	
7		1		
			NOT AVAILABLE IN SINGLE PARTS	
8	72624663	3	HEX FLANGE CAPSCREW	M8X45-10.9
9	72624599	1	SCREW NECK	SW24XM18X29,5
11	72624609	1	EXTENSION TUBE	
12	72624610	1	EXTENSION TUBE	
13	72629226	2	PLUG SCREW	
14	72623466	2	SEALING WASHER	PCS-18,3X26-ST/FKM1-80
15	ACP0154860	1	FILTER CARTRIDGE INCLUDES ITEMS 16	
16	72624577	1	O-RING SEAL	126X4
17	ACP0300540	1	OIL SEPARATOR INCLUDES ITEMS 18	
18	72627918	1	GASKET	
19	72627919	1	OIL COOLER INCLUDES ITEMS 20	
20	72627920	2	OIL COOLER SEAL	
21	72624219	2	HEX FLANGE CAPSCREW	M8X45-8.8
22	72624220	2	HEX FLANGE CAPSCREW	M8X90-8.8
23		1		
			NOT AVAILABLE IN SINGLE PARTS	
24	72624398	1	LID	
25	ACP0427920	1	BREATHER LINE INCLUDES ITEMS 26	
26	72624317	1	BRACKET CLAMP	A1-22X20-W4
27	ACP0427930	1	BUSHING	9X19X18
30	72624572	1	HOSE	
31	72605607	1	CLIP	
32	72608303	1	CLIP	
35	72629224	1	PLUG SCREW	
36	72624303	1	SEALING WASHER	14,3X22X1,5-ST/FKM1-80
37	72624273	1	PLUG SCREW	M24X1,5-ST-M3360-RK12-K
38	72624296	1	SEALING WASHER	A24X29-CU
40	72624396	1	PRESSURE-RELIEF VALVE	

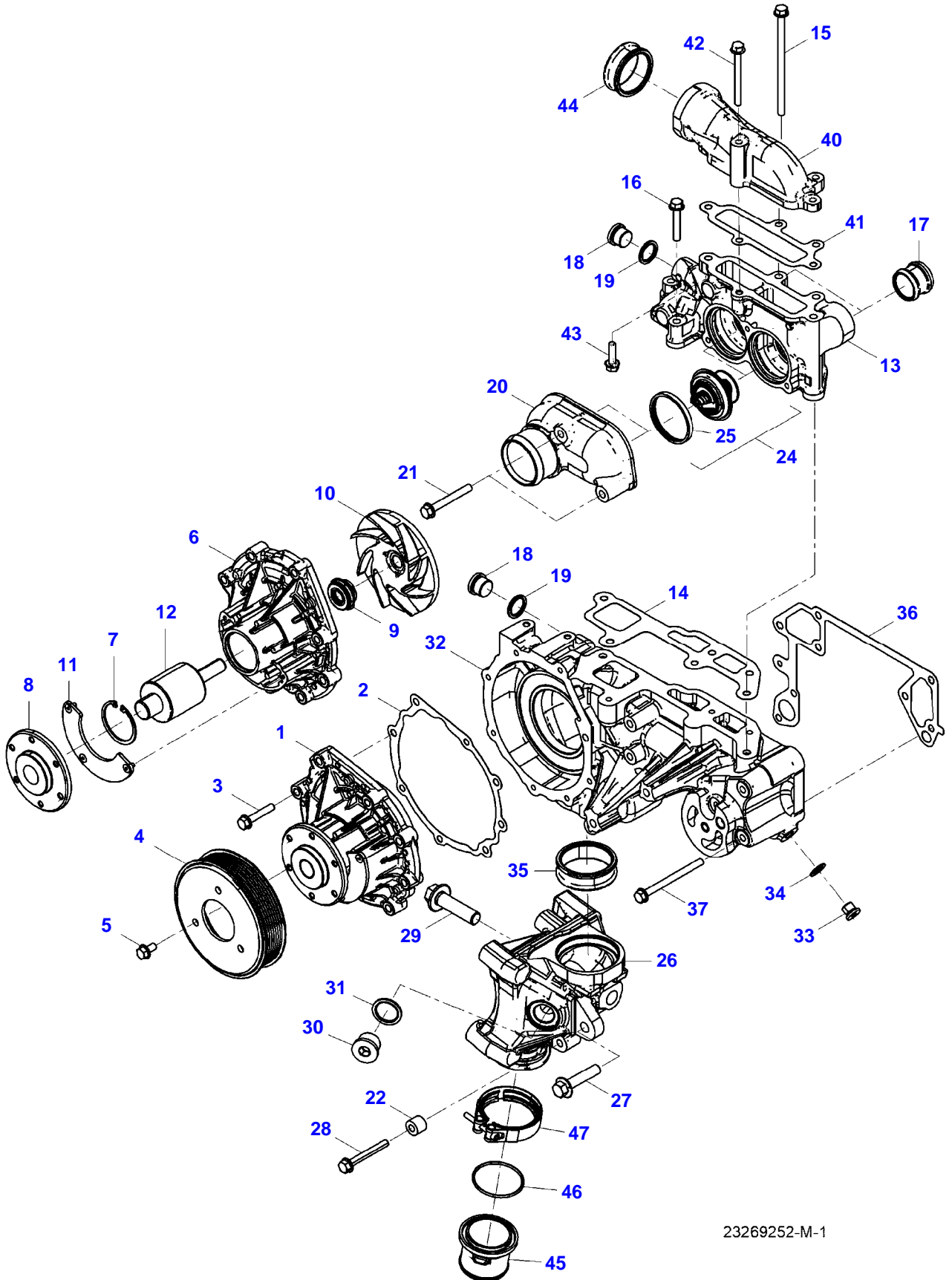
IDEAL 8 COMBINE (2018) (ZN2C0007P03010001-999)
23268356-M-1



23268356-M-1

Item	Part Number	Qty	Description Comments	Technical Specification
ENGINE : STAGE 4				
1	72624435	1	TUBE GROMMET	
2	72624413	1	COOLANT MANIFOLD	
3	72624232	1	HEX FLANGE CAPSCREW	M8X30-10.9
4	72433860	8	TORX SCREW	
5	72624607	2	EXTENSION TUBE	
6	72624421	1	COOLANT MANIFOLD	
9	72624608	1	EXTENSION TUBE	
10	72624414	1	COOLANT MANIFOLD	
11	72624310	1	O-RING SEAL	60X3N-FPM1-70-GN
12	72624231	3	HEX FLANGE CAPSCREW	M8X25-10.9
18	72624420	1	COOLANT LINE INCLUDES ITEMS 19 UP TO SERIAL NUMBER ... ZN2C0008T03000005	
	ACP0427470	1	COOLANT LINE INCLUDES ITEMS 19 FROM SERIAL NUMBER ... ZN2C0008X03010001	
19	72624586	2	TUBE CLAMP	A18,1X20X39-11-UST37-2
20	72624222	1	HEX FLANGE CAPSCREW	M10X16-8.8
21	72624230	1	HEX FLANGE CAPSCREW	M8X20-10.9
22	72622285	2	SEALING WASHER	
23	72417075	1	THREADED STUD	
24	72624615	1	HOSE ARCH	18/18-30/20/30-MAN334-3-BL
25	72624589	2	HOSE CLIP	25,4-28,6
26	72624603	1	HOSE BARB	18-M22X1,5-ST
28	72310189	1	RING FITTING	
29	72624302	6	SEALING WASHER	12,3X18X1,5-ST/FKM1-80
30	72624325	1	BANJO BOLT	8-M3360-RK5-K
31	72624272	3	PLUG SCREW	M16X1,5-ST-M3360-RK9-K
32	72624304	6	SEALING WASHER	16,3X24X1,5-ST/FKM1-80
33	72629233	1	PLUG SCREW	
34	72624301	1	SEALING WASHER	10,3X16X1,5-ST/FKM1-80
35	72624323	1	THREADED SOCKET	L10A-M12X1,5-ST
37	72624321	2	THREADED SOCKET	L12A-M-ST
39	72624320	2	THREADED SOCKET	L8A-M-ST
41	72624605	1	HOSE COUPLER	
43	72649377	1	PLUG SCREW	M16X1,5

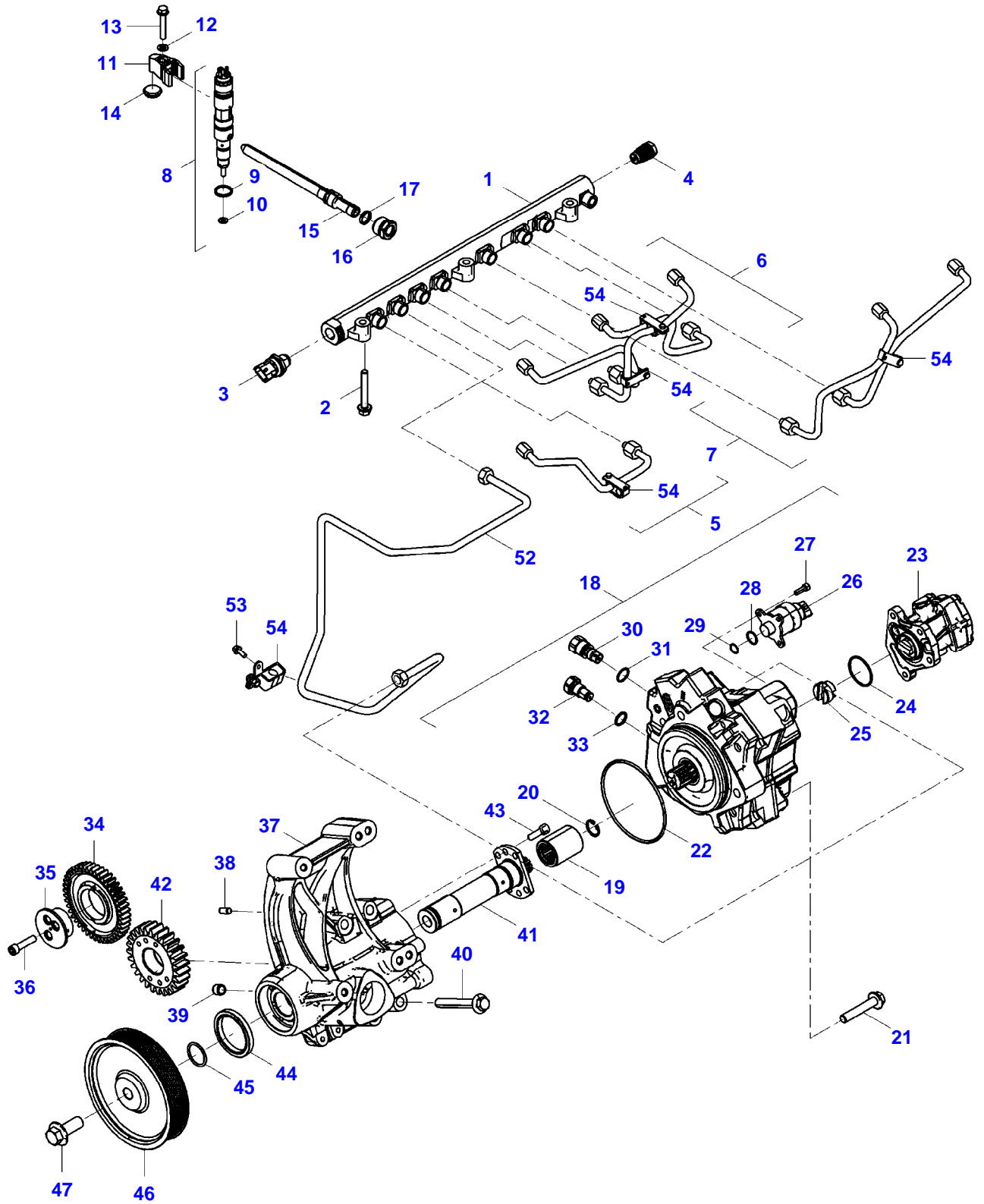
IDEAL 8 COMBINE (2018) (ZN2C0007P03010001-999)
23269252-M-1



23269252-M-1

Item	Part Number	Qty	Description Comments	Technical Specification
ENGINE : STAGE 4				
1	72628152	1	COOLANT PUMP INCLUDES ITEMS 6-12	
2	72624434	1	GASKET	
3	72624663	8	HEX FLANGE CAPSCREW	M8X45-10.9
4	72626213	1	PULLEY	
5	72624218	3	HEX FLANGE CAPSCREW	M8X12-8.8
6	72629205	1	PUMP BODY	
7	72624294	1	LOCK WASHER	55X2
8	72624429	1	HUB	
9	72624432	1	FACE SEAL	
10	72624430	1	IMPELLER	
11	72624431	1	LID	
12	72624565	1	BEARING	
13	72624425	1	THERMOSTAT HOUSING	
14	72624436	1	THERMOSTAT SEAL	
15	72624240	3	HEX FLANGE CAPSCREW	M8X150-10.9
16	72433860	2	TORX SCREW	
17	72624606	2	EXTENSION TUBE	
18	72624265	2	PLUG SCREW	M22X1,5-ST
19	72622285	2	SEALING WASHER	
20	ACP0353590	1	COOLANT MANIFOLD	
21	ACP0353290	2	HEX FLANGE CAPSCREW	M8X60-10.9-MAN183-B1
22	ACP0353760	1	BUSHING	9X19X15
24	ACP0433340	2	THERMOSTAT INCLUDES ITEMS 25	
25	72624437	2	THERMOSTAT SEAL	
26	ACP0427340	1	BRACKET	
27	72624251	1	HEX FLANGE CAPSCREW	M12X55-10.9
28	ACP0353300	1	HEX FLANGE CAPSCREW	M8X65-10.9-MAN183-B1
29	72624254	1	HEX FLANGE CAPSCREW	M16X60-10.9
30	72649374	1	PLUG SCREW	M26X1,5-ST-A3C
31	72423368	1	GASKETS	
32	72624423	1	DISTRIBUTOR HOUSING	
33	72624271	1	PLUG SCREW	M14X1,5-ST-M3360-RK10-K
34	72624303	1	SEALING WASHER	14,3X22X1,5-ST/FKM1-80
35	72624611	1	EXTENSION TUBE	
36	72624433	1	GASKET	
37	72624237	7	HEX FLANGE CAPSCREW	M8X100-10.9
40	72624412	1	COOLANT MANIFOLD	
41	72624438	1	GASKET	
42	72624236	1	HEX FLANGE CAPSCREW	M8X80-10.9
43	72624232	1	HEX FLANGE CAPSCREW	M8X30-10.9
44	72624607	1	EXTENSION TUBE	
45	ACP0405520	1	SOCKET	
46	72624315	1	O-RING SEAL	60X4N-EPDM9-60
47	ACP0353860	1	PROFILE CLIP	77X20X1-W1

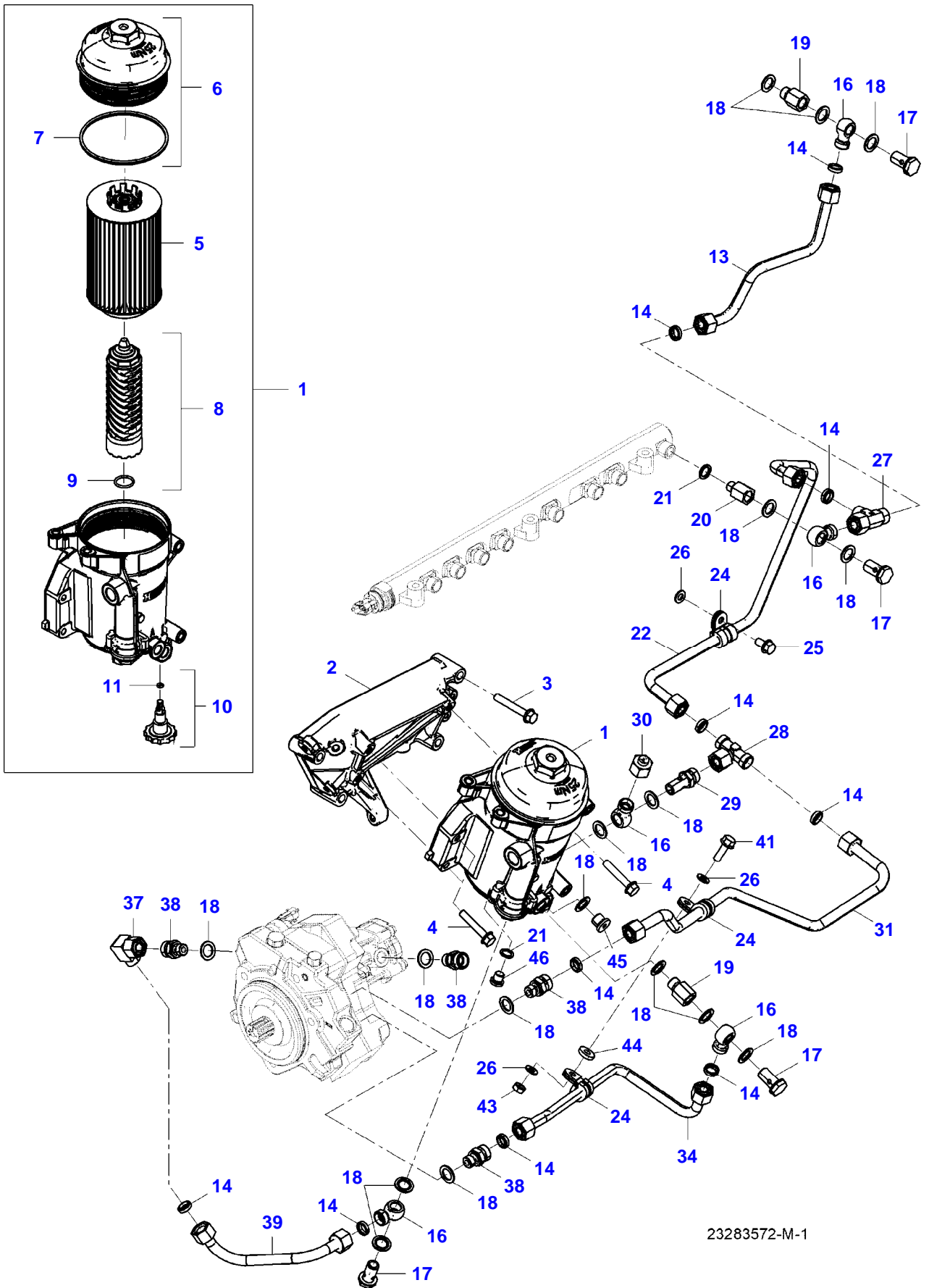
IDEAL 8 COMBINE (2018) (ZN2C0007P03010001-999)
23281471-M-1



23281471-M-1

Item	Part Number	Qty	Description Comments	Technical Specification
ENGINE : STAGE 4				
1	72624468	1	BOOST PIPE	
2	72624233	3	HEX FLANGE CAPSCREW	M8X35-10.9
3	72624521	1	PRESSURE TRANSDUCER B086	RDS4.2 F RAIL
4	72624467	1	PRESSURE RELIEF VALVE	
5	72624466	1	INJECTION PIPE	ZYL 1
6	72624462	1	INJECTION PIPE	ZYL 2-4
7	72624463	1	INJECTION PIPE	ZYL 5-6
8	72624459	6	INJECTOR COMPL. INCLUDES ITEMS 9,10	1800BAR
9	72624581	6	SEALING WASHER	
10	72624613	6	SEALING WASHER	
11	72624460	6	COMPRESSION FLANGE	
12	72639749	6	SPHERICAL WASHER	C8,4-ST-MAN 183-B13
13	72433860	6	TORX SCREW	
14	72624552	6	THRUST WASHER	
15	72624461	6	INJECTION PIPE NOZZLE INCLUDES ITEMS 17	1800 BAR
16	72624465	6	PRESSURE SCREW	
17			NOT AVAILABLE IN SINGLE PARTS	
18	72624469	1	HIGH PRESSURE INJECTION PUMP INCLUDES ITEMS 22-33	
19	72624474	1	DRIVING	
20	72624293	1	LOCK WASHER	21X1,00
21	72624243	3	HEX FLANGE CAPSCREW	M10X55-10.9
22	72423310	1	O-RING	
23	72624476	1	FUEL PUMP	
24	72624616	1	O-RING SEAL	44X2,5-FPM--70
25	72624477	1	DRIVING	
26	72624487	1	METERING UNIT	
27	72624536	3	SOCKET HEAD BOLT	M5X20-10.9-A2C
28	72624579	1	O-RING SEAL	11X2
29	72624578	1	O-RING SEAL	9X2
30	72624470	1	BLEED AND DRAIN VALVE	
31	72624580	1	O-RING SEAL	
32	72624486	1	VALVE	
33	72624295	1	SEALING WASHER	A14X18-CU
34	72624473	1	GEAR, IDLER	
35	72627897	1	WHEEL BOLT	
36	72624214	3	SOCKET HEAD BOLT	M12X50-10.9
37	72624528	1	DRIVE HOUSING	
38	72624288	1	DOWEL	8H8X18-ST50-2K-ZNPHR3F
39	72624562	1	SLEEVE	
40	72624252	4	HEX FLANGE CAPSCREW	M12X90-10.9
41	72624529	1	DRIVE SHAFT	
42	72624471	1	DRIVE GEAR	
43	72624210	6	SOCKET HEAD BOLT	M8X25-10.9
44	72624582	1	RADIAL SHAFT LIP SEAL	
45	72624308	1	O-RING SEAL	30,2X3N-FPM1-70-GN
46	72624568	1	PULLEY	
47	72624255	1	HEX FLANGE CAPSCREW	M16X1,5LHX40-10.9
52	72624464	1	PIPE	CP3 4H+ 1800BAR
53	72624229	1	HEX FLANGE CAPSCREW	M8X16-10.9
54	72627894	4	TUBE CLAMP	

IDEAL 8 COMBINE (2018) (ZN2C0007P03010001-999)
23283572-M-1

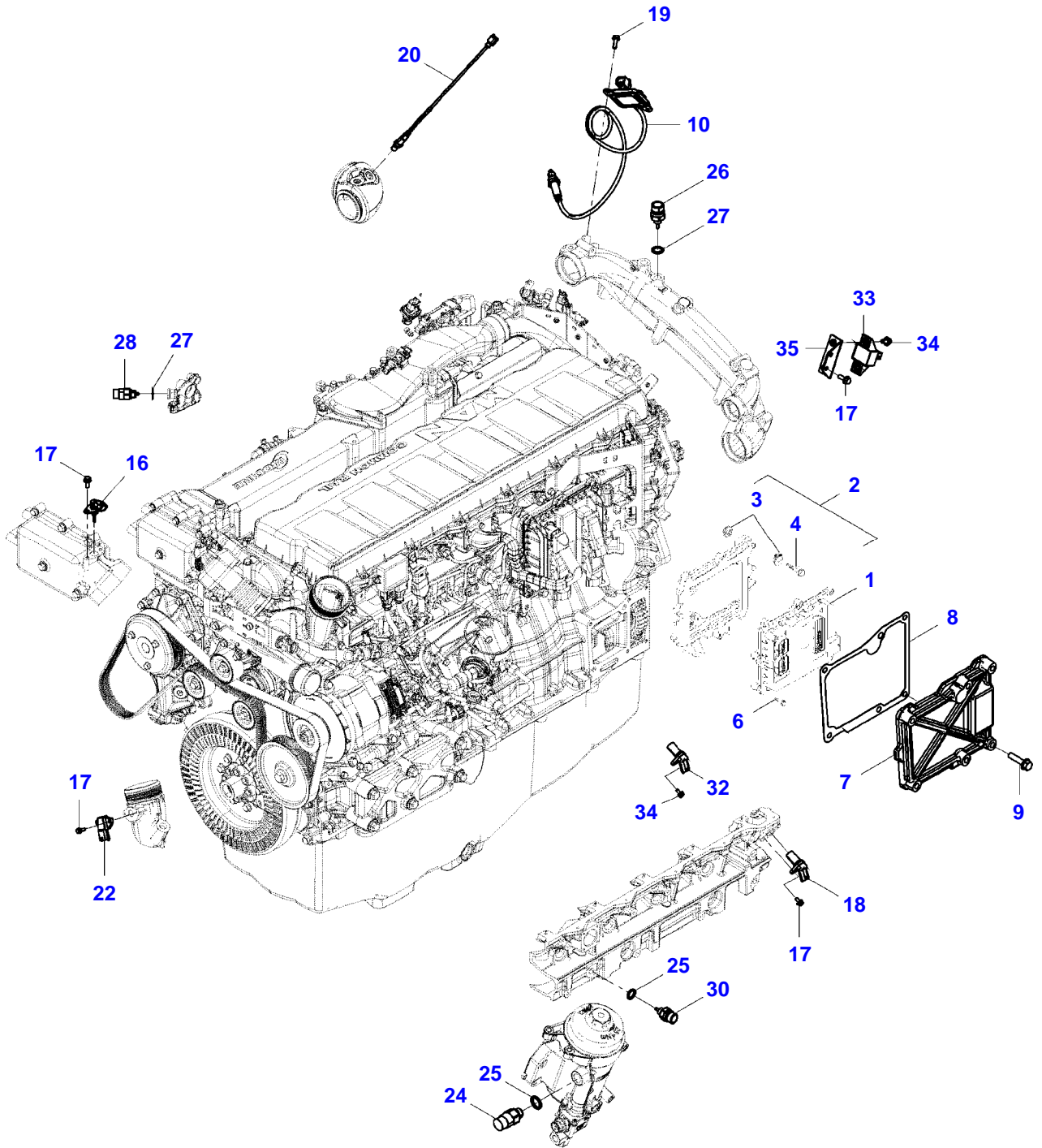


23283572-M-1

FUEL FILTERS

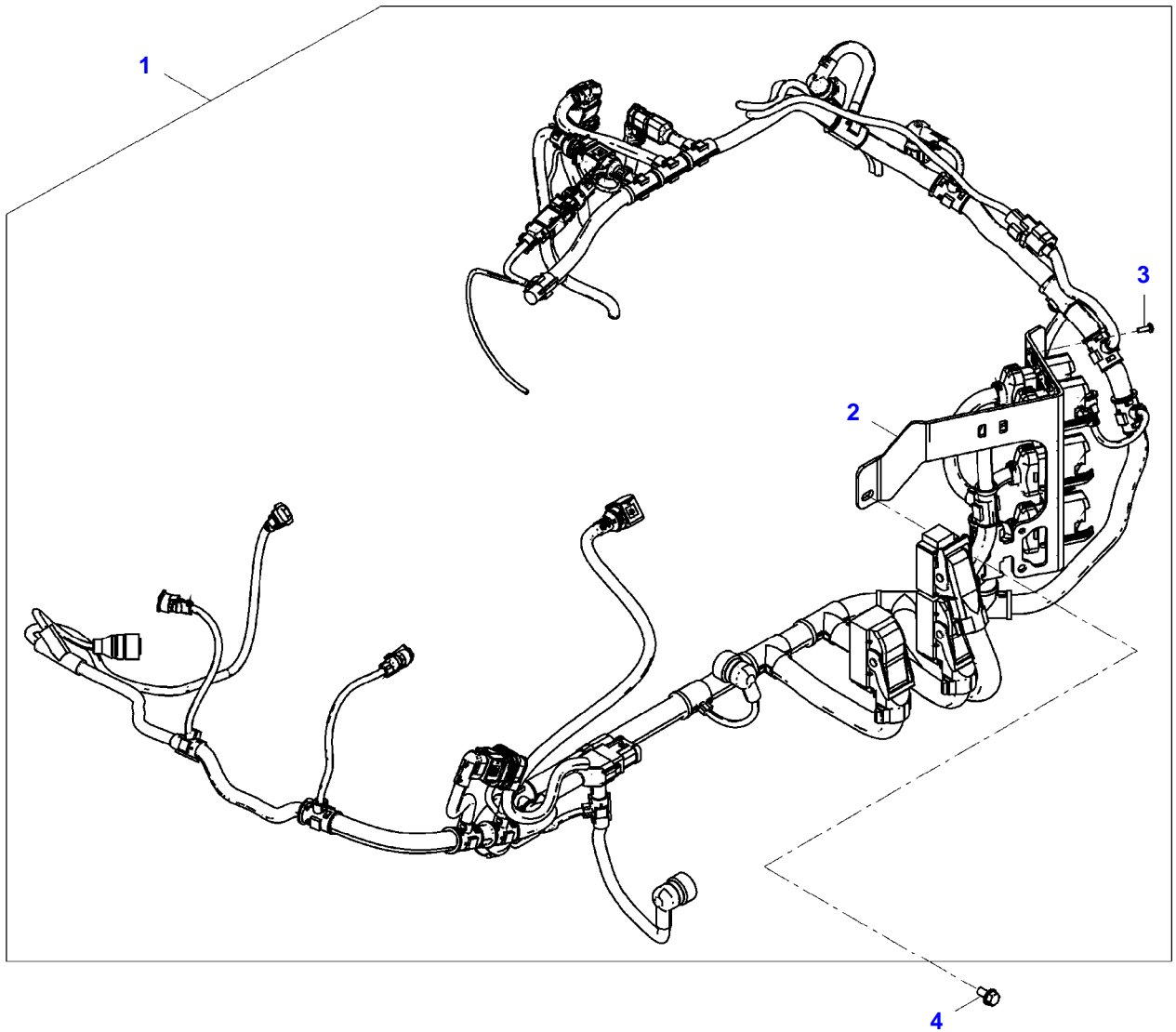
Item	Part Number	Qty	Description Comments	Technical Specification
ENGINE : STAGE 4				
1	72624483	1	FUEL FILTER INCLUDES ITEMS 5-11	
2	72624488	1	HOLDER	
3	72624235	4	HEX FLANGE CAPSCREW	M8X55-10.9
4	72624663	3	HEX FLANGE CAPSCREW	M8X45-10.9
5	ACP0410280	1	FILTER ELEMENT	
6	72624485	1	LID INCLUDES ITEMS 7	
7	72624574	1	O-RING SEAL	100X4-HNBR-60
8	72624484	1	SUPPORT PIPE INCLUDES ITEMS 9	
9	72624298	1	O-RING SEAL	18X2,5B-FKM1-70-GN
10	72624542	1	DRAIN PLUG INCLUDES ITEMS 11	
11	72624575	1	O-RING SEAL	4,5X2-FPM
13	72624482	1	FUEL LINE INCLUDES ITEMS 14	12X1,5
14	72624576	10	SEALING WASHER	E02-12L-ST-VITON
16	72346246	5	RING FITTING	
17	72417155	4	BANJO BOLT	
18	72624303	17	SEALING WASHER	14,3X22X1,5-ST/FKM1-80
19	72316290	2	NOZZLE	
20	72624600	1	REDUCING STUD	M12X1,5/M14X1,5
21	72624302	2	SEALING WASHER	12,3X18X1,5-ST/FKM1-80
22	72624481	1	FUEL LINE INCLUDES ITEMS 24	12X1,5
24	72608293	3	CLIP	
25	72624230	1	HEX FLANGE CAPSCREW	M8X20-10.9
26	72649375	4	WASHER	8X16X1,6-200HV
27	72624324	1	DIVIDER UNION	L12-NBR
28	72624596	1	T-FITTING	L12
29	72624604	1	BANJO BOLT	
30	72624543	1	LOCKING PLUG	M18X1,5
31	72624480	1	FUEL LINE INCLUDES ITEMS 32,33	12X1,5
34	72624479	1	FUEL LINE INCLUDES ITEMS 35,36	12X1,5
37	72624597	1	SOCKET	L12-ST
38	72624598	4	SOCKET	L12M14X1,5-ST
39	72624478	1	FUEL LINE INCLUDES ITEMS 40	
41	72624231	1	HEX FLANGE CAPSCREW	M8X25-10.9
43	72624274	1	HEX NUT	M8-8
44	ACP0427940	1	WASHER	8,4X20X4
45	72624271	1	PLUG SCREW	M14X1,5-ST-M3360-RK10-K
46	ACP0357460	1	PLUG SCREW	M12X1,5-ST

IDEAL 8 COMBINE (2018) (ZN2C0007P03010001-999)
23284836-M-2



23284836-M-2

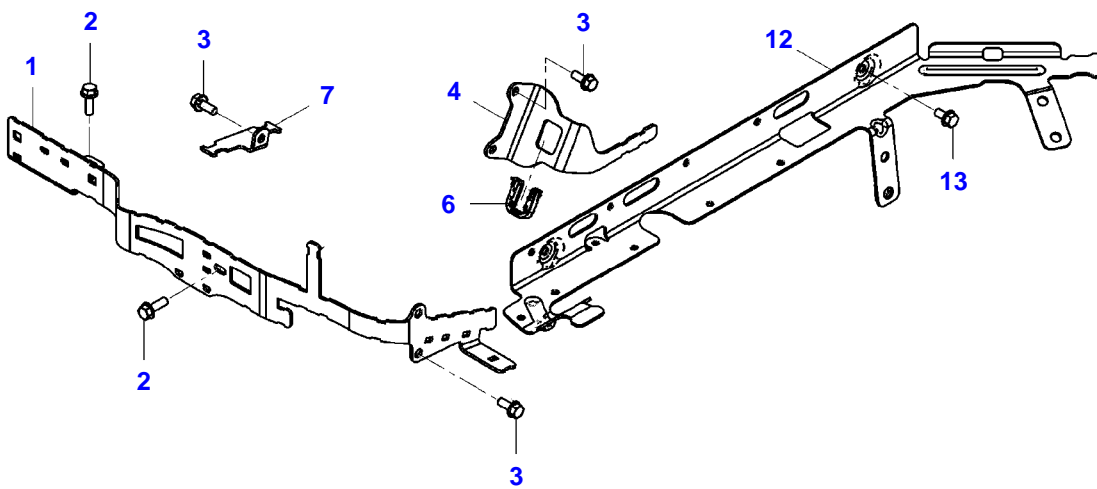
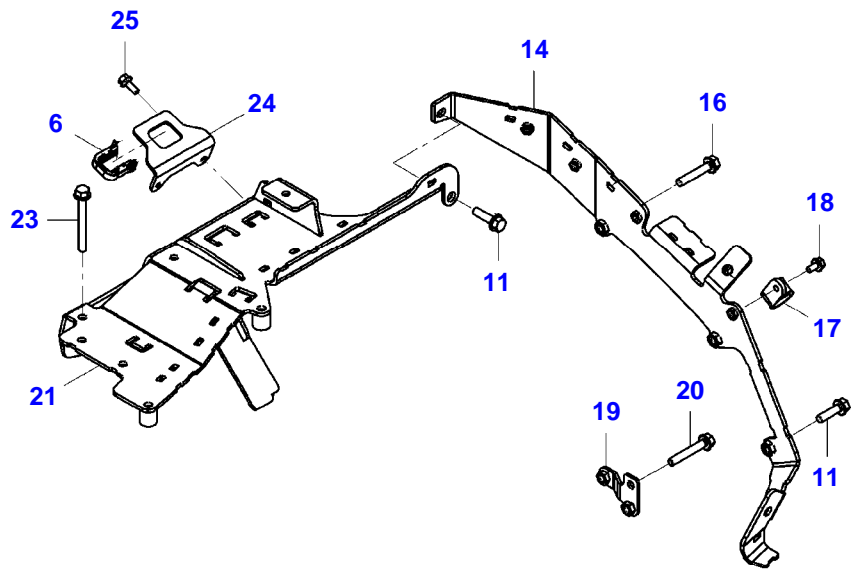
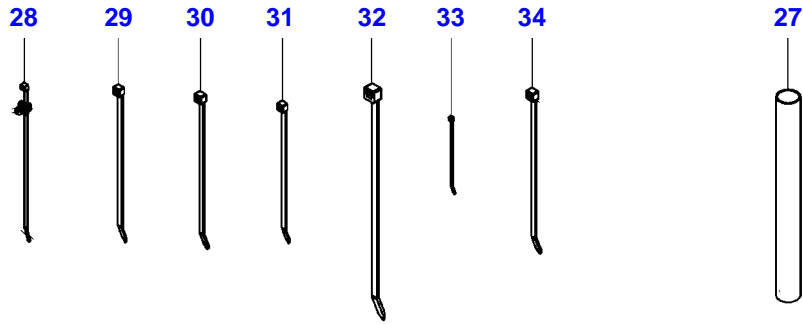
Item	Part Number	Qty	Description Comments	Technical Specification
ENGINE : STAGE 4				
1	ACP0428470	1	CONTROL UNIT	
2	72624475	1	CONSOLE INCLUDES ITEMS 3-4	
3	72624569	8	RUBBER MOUNT	
4	72624216	4	HEX FLANGE CAPSCREW	M8X40-MK8X4-10.9
6	72624228	8	HEX FLANGE CAPSCREW	M6X30-10.9
7	72629250	1	BLANKING COVER	
8	72629251	1	COVER GASKET	
9	72624233	6	HEX FLANGE CAPSCREW	M8X35-10.9
10	72624491	1	SENSOR	NOX
16	72624525	1	SENSOR TEMPERATURE SENSOR EXHAUST GAS RECIRCULATION (EGR)	
17	72624225	4	HEX FLANGE CAPSCREW	M6X16-10.9
18	72624518	1	ENGINE SPEED SENSOR CAM SHAFT	
19	72624224	2	HEX FLANGE CAPSCREW	M6X12-10.9
20	72624490	1	LAMBDA SENSOR	LSU 4.9
22	72624524	1	PRESSURE TRANSDUCER BUST PRESSUR	
24	ACP0353680	1	PRESSURE TRANSDUCER FUEL FILTER	15BAR MDS1.3
25	72623466	2	SEALING WASHER	PCS-18,3X26-ST/FKM1-80
26	72624519	1	TEMPERATURE TRANSMITTER INTERCOOLER TEMPERATURE	
27	72624304	3	SEALING WASHER	16,3X24X1,5-ST/FKM1-80
28	72624520	2	TEMPERATURE SENSOR COOLING MEDIUM	
30	ACP0353670	1	PRESSURE TRANSDUCER OIL PRESSURE OIL COOLER	6BAR MDS1.3
32	72624518	1	ENGINE SPEED SENSOR FLYWHEEL	
33	ACP0405630	1	SENSOR	
34	ACP0357220	3	HEX FLANGE CAPSCREW	M6X12-8.8
35	ACP0428020	1	HOLDER	



23294694-M-1

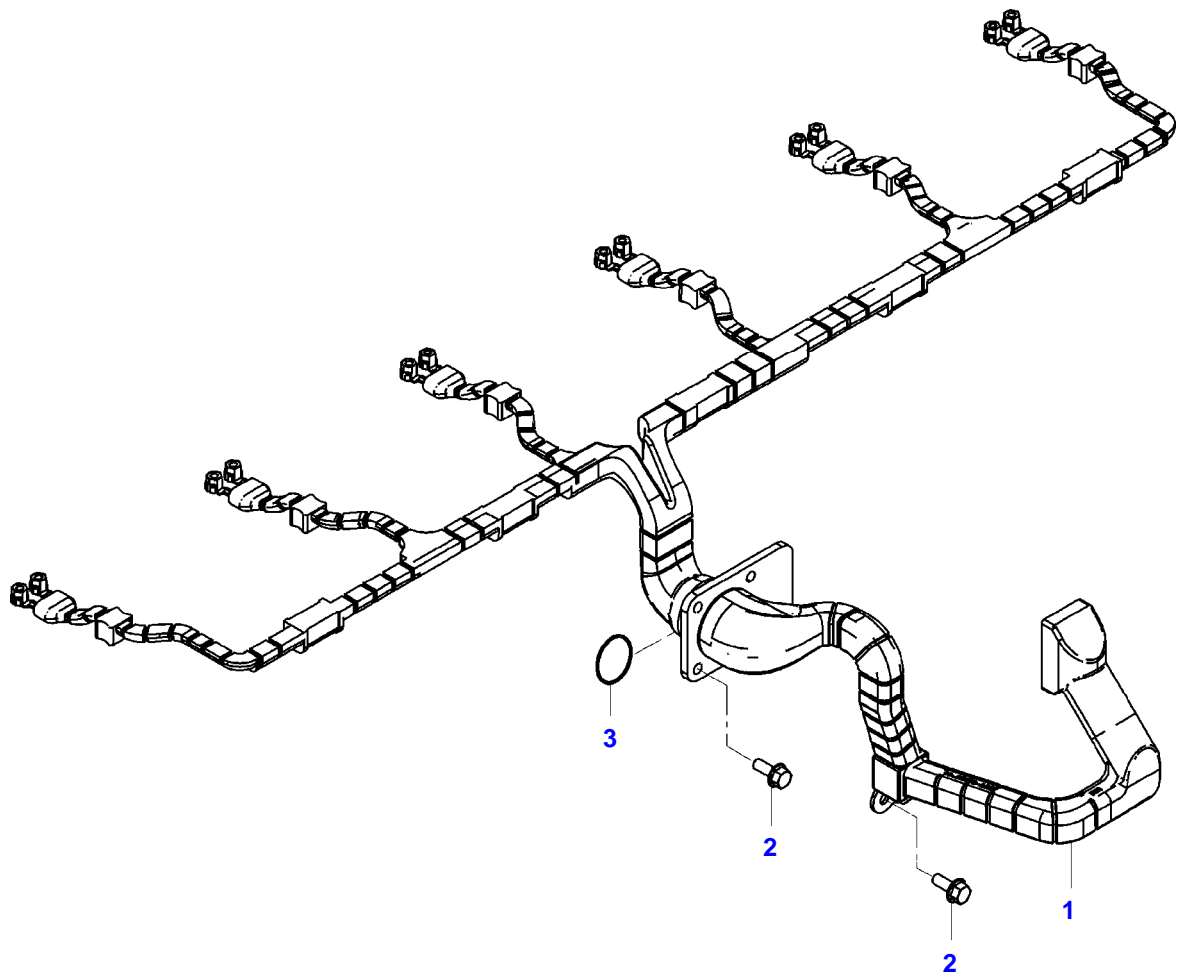
Item	Part Number	Qty	Description Comments	Technical Specification
ENGINE : STAGE 4				
1	ACP0405530	1	WIRING HARNESS INCLUDES ITEMS 2,3	
2	72627850	1	HOLDER	
3	72624263	16	SELF-TAPPING SCREW	ST4,8X13F-H
4	72624229	2	HEX FLANGE CAPSCREW	M8X16-10.9

IDEAL 8 COMBINE (2018) (ZN2C0007P03010001-999)
23294794-M-1



23294794-M-1

Item	Part Number	Qty	Description Comments	Technical Specification
ENGINE : STAGE 4				
1	72624503	1	HOLDER	
2	72624231	3	HEX FLANGE CAPSCREW	M8X25-10.9
3	72624230	5	HEX FLANGE CAPSCREW	M8X20-10.9
4	ACP0426300	1	HOLDER	
6	72624614	2	LOCKING WEDGE	
7	72624501	3	HOLDER	
11	72624232	3	HEX FLANGE CAPSCREW	M8X30-10.9
12	72624505	1	HOLDER	
13	72624229	2	HEX FLANGE CAPSCREW	M8X16-10.9
14	72627938	1	HOLDER	
16	72624663	2	HEX FLANGE CAPSCREW	M8X45-10.9
17	72624318	4	MOUNTING CLAMP	A22
18	72624224	4	HEX FLANGE CAPSCREW	M6X12-10.9
19	ACP0353610	1	HOLDER	
20	72433860	1	TORX SCREW	
21	ACP0426310	1	HOLDER	
23	72455491	4	HEXAGONAL HEAD BOLT	
24	72624502	1	HOLDER	
25	72624225	2	HEX FLANGE CAPSCREW	M6X16-10.9
27	ACP0353780	2	INSULATION HOSE CUT TO LENGTH L=290 MM	25X0,8X360-GF/AL
28	72624587	1	CABLE TIE	4,7X202-PA4.6-GR/SW
29	72624617	1	CABLE TIE	4,8X186-PTFE-NYLON
30	72624618	1	CABLE TIE	
31	72346273	1	CABLE HOLDER	
32	ACP0353900	1	CABLE TIE	7,7X369/7,6X372-PA6.6-SW
33	72346411	1	CABLE HOLDER	
34	ACP0353910	1	CABLE TIE	4,6X210-PA6.6-SW



23295119-M-1

Item	Part Number	Qty	Description Comments	Technical Specification
			ENGINE : STAGE 4	
1	72624496	1	WIRING HARNESS	
2	72624225	5	HEX FLANGE CAPSCREW	M6X16-10.9
3	72629208	1	O-RING	32,92X3,53N-FKM1-70-GN

Thank you so much for reading.
Please click the “Buy Now!”
button below to download the
complete manual.



After you pay.

You can download the most
perfect and complete manual in
the world immediately.

Our support email:

ebooklibonline@outlook.com