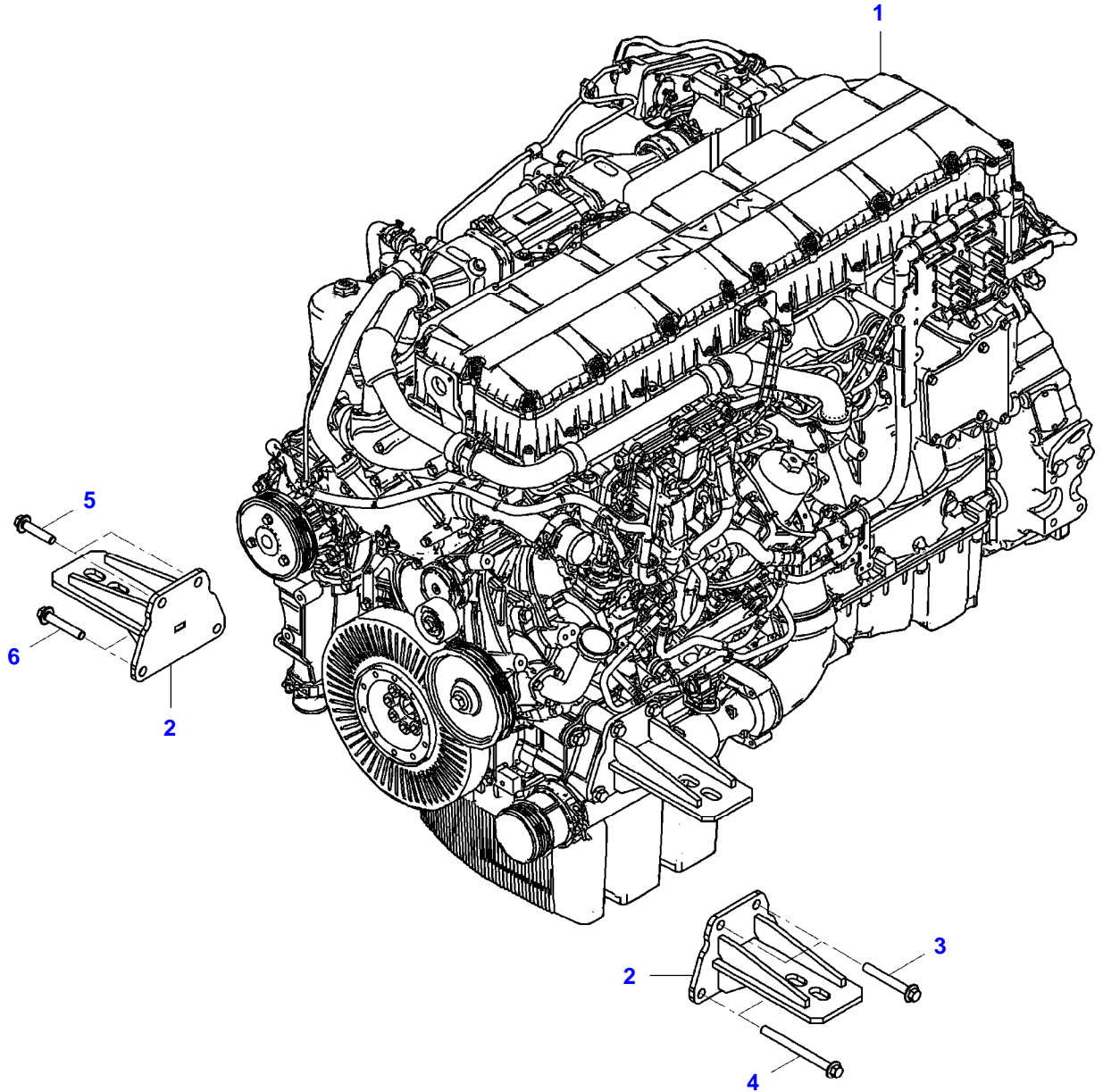


TABLE OF CONTENT

Page Number	Page Title	Page Reference
01-000-TOC	ENGINE ACW4998320 D3876LE125 STAGE 4	01-000-TOC
02-000-TOC	ENGINE ACW4998670 D3876LE123 T4F	02-000-TOC
03-000-TOC	ENGINE ACW4998690 D3876LE124 T3/LRC	03-000-TOC
04-000-TOC	ENGINE INSTALLATION	04-000-TOC
05-000-TOC	DRIVE SYSTEM	05-000-TOC
06-000-TOC	AXLES	06-000-TOC
07-000-TOC	STEERING SYSTEM	07-000-TOC
08-000-TOC	DRIVE TRAIN SYSTEM	08-000-TOC
09-000-TOC	BRAKE SYSTEM	09-000-TOC
10-000-TOC	HYDRAULIC SYSTEM	10-000-TOC
11-000-TOC	ELECTRICAL SYSTEM	11-000-TOC
12-000-TOC	CAB	12-000-TOC
13-000-TOC	AIR CONDITIONING AND HEATING SYSTEM	13-000-TOC
14-000-TOC	CHASSIS	14-000-TOC
15-000-TOC	DECALS	15-000-TOC
16-000-TOC	WHEELS	16-000-TOC
17-000-TOC	FEEDING SYSTEM	17-000-TOC
18-000-TOC	THRESHING SYSTEM	18-000-TOC
19-000-TOC	CLEANING SYSTEM	19-000-TOC
20-000-TOC	GRAIN BIN AND ELEVATOR SYSTEM	20-000-TOC
21-000-TOC	DISCHARGE SYSTEM	21-000-TOC
22-000-TOC	PRECISION FARMING SYSTEMS	22-000-TOC
23-000-TOC	ACCESSORIES	23-000-TOC

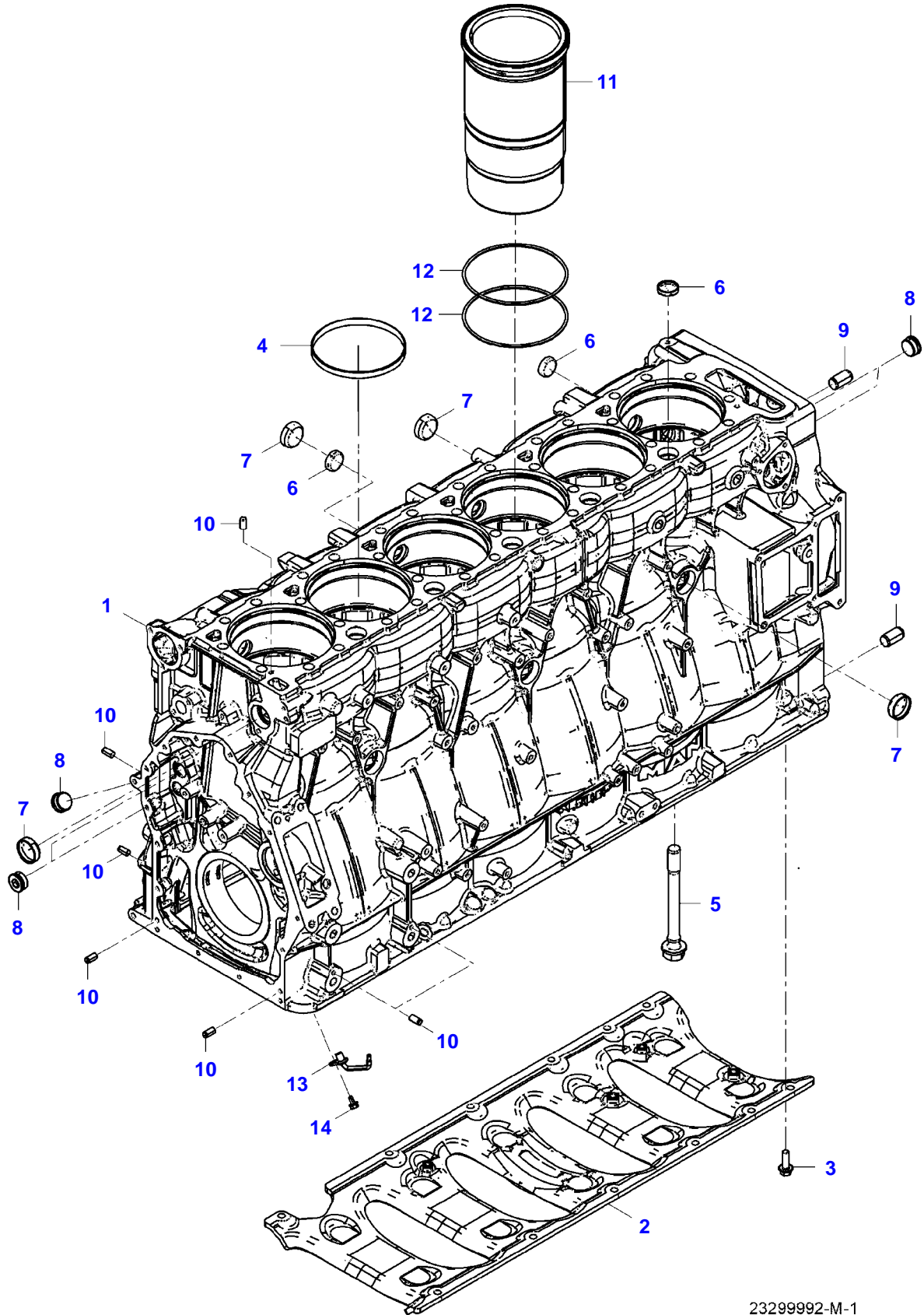
Page Number	Page Title	Page Reference
01-0001	ENGINE - RETAINER ENGINE : STAGE 4	1MDL2441110
01-0002	CRANKCASE ENGINE : STAGE 4	1MDL2441205
01-0003	TIMING GEARS AND HOUSING ENGINE : STAGE 4	1MDL2441206
01-0004	FLYWHEEL AND HOUSING ENGINE : STAGE 4	1MDL2441207
01-0005	CRANKSHAFT AND PISTONS ENGINE : STAGE 4	1MDL2441208
01-0006	CAMSHAFT AND VALVE ENGINE : STAGE 4	1MDL2441209
01-0007	CYLINDER HEAD AND VALVES ENGINE : STAGE 4	1MDL2441220
01-0008	VALVE COVER ENGINE : STAGE 4	1MDL2441221
01-0009	AIR INTAKE ENGINE : STAGE 4	1MDL2441222
01-0010	EXHAUST MANIFOLD ENGINE : STAGE 4	1MDL2441223
01-0011	TURBO-CHARGER ENGINE : STAGE 4	1MDL2441224
01-0012	EXHAUST GAS RECIRCULATION (EGR) ENGINE : STAGE 4	1MDL2441234
01-0013	1 OF 2 EXHAUST GAS RECIRCULATION (EGR) ENGINE : STAGE 4	1MDL2441235
01-0014	2 OF 2 OIL PUMP AND SUMP ENGINE : STAGE 4	1MDL2441236
01-0015	OIL COOLER AND FILTER ENGINE : STAGE 4	1MDL2441237
01-0016	COOLANT PIPING ENGINE : STAGE 4	1MDL2441238
01-0017	COOLANT PUMP AND THERMOSTAT ENGINE : STAGE 4	1MDL2441248
01-0018	FUEL INJECTION SYSTEM ENGINE : STAGE 4	1MDL2441249
01-0019	FUEL FILTERS ENGINE : STAGE 4	1MDL2441250
01-0020	ELECTRONIC ENGINE MANAGEMENT - SENSOR ENGINE : STAGE 4	1MDL2441251
01-0021	ELECTRONIC ENGINE MANAGEMENT - WIRING HARNESS ENGINE : STAGE 4	1MDL2441252
01-0022	ELECTRONIC ENGINE MANAGEMENT - SUPPORT BRACKET ENGINE : STAGE 4	1MDL2441253
01-0023	WIRING HARNESS - INJECTOR ENGINE : STAGE 4	1MDL2441254
01-0024	BELT TENSIONER ENGINE : STAGE 4	1MDL2441255
01-0025	ENGINE GASKETS SETS ENGINE : STAGE 4	1MDL2441256
01-0026	SPECIAL OVERHAUL PARTS ENGINE : STAGE 4	1MDL2441257



23299573-M-1

Item	Part Number	Qty	Description Comments	Technical Specification
ENGINE : STAGE 4				
1	ACW4998320	1	ENGINE	15.2L ST4
2	ACP0406410	2	ENGINE SUPPORT	
3	ACP0357430	2	HEX FLANGE CAPSCREW	M14X105-10.9
4	ACP0357420	2	HEX FLANGE CAPSCREW	M14X160-10.9
5	ACP0357410	2	HEX FLANGE CAPSCREW	M14X65-10.9
6	72624253	2	HEX FLANGE CAPSCREW	M14X80-10.9

IDEAL 9 COMBINE (2018) (ZN2C0007P03010001-999)
23299992-M-1

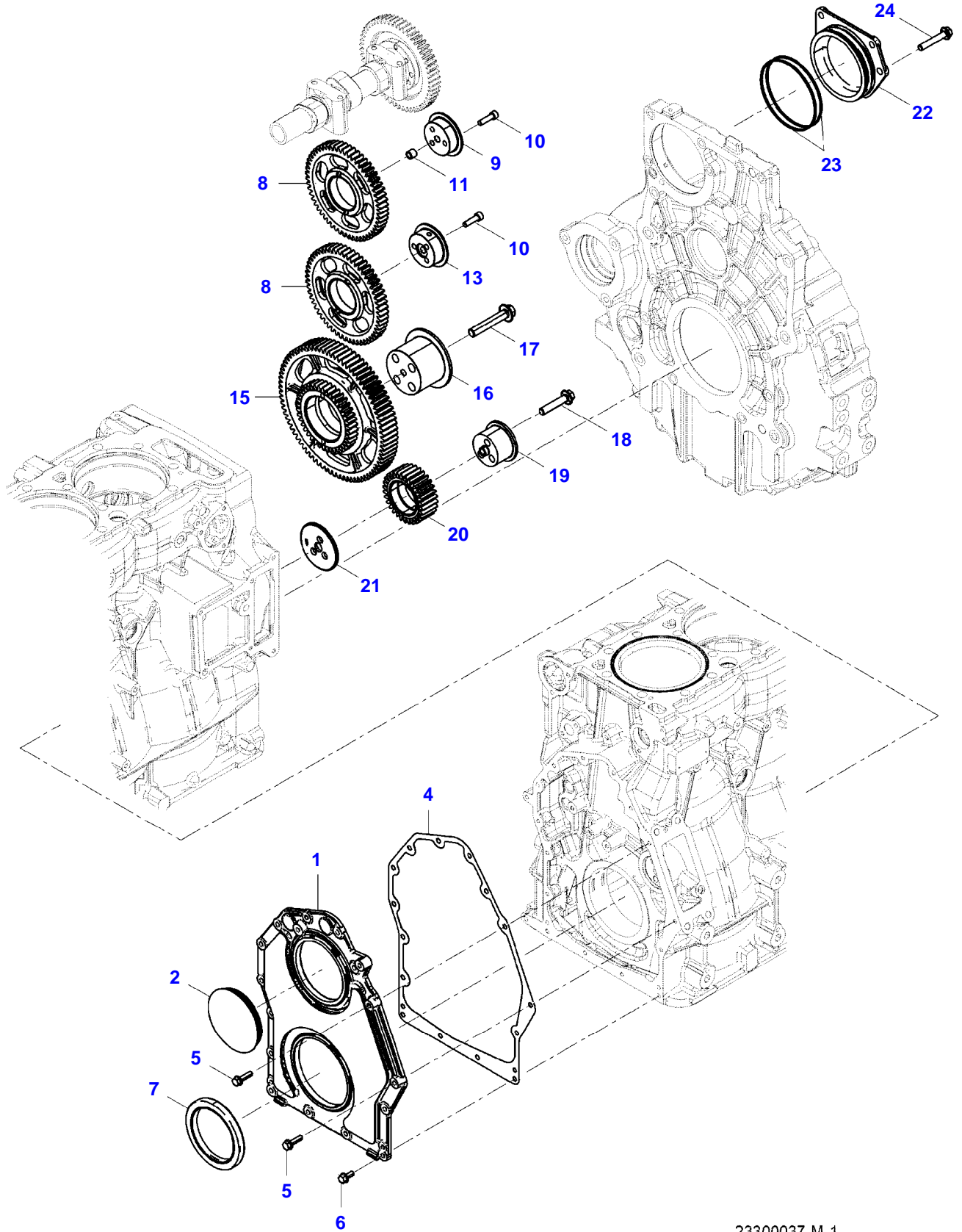


23299992-M-1

CRANKCASE

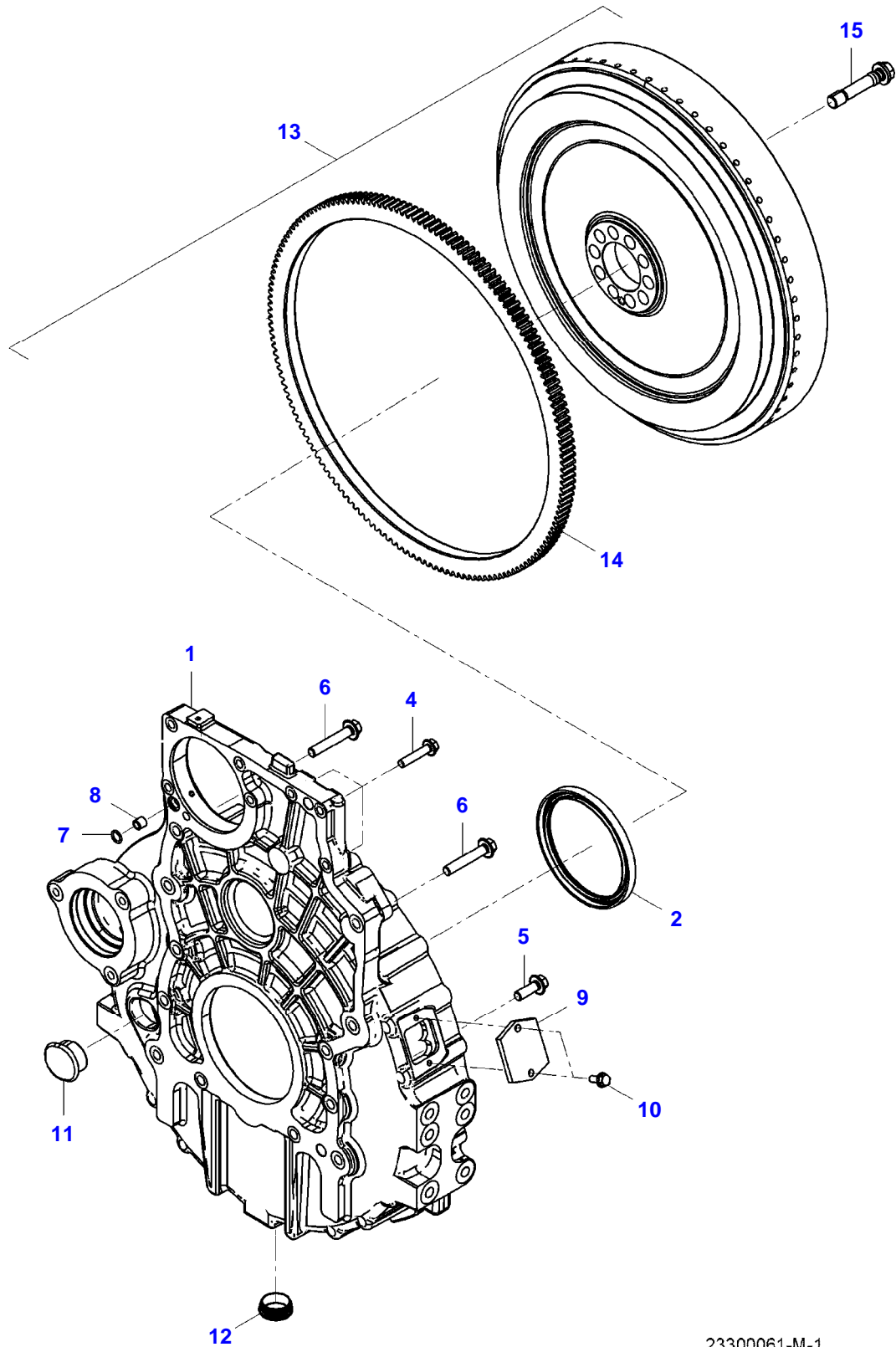
Item	Part Number	Qty	Description Comments	Technical Specification
ENGINE : STAGE 4				
1	ACP0406490	1	CRANKCASE	
2	ACP0406500	1	COVER	
3	ACP0353330	12	HEX FLANGE CAPSCREW	M10X30-10.9-MAN183-B1
4	ACP0357860	6	RING	
5	ACP0406510	14	HEX BOLT, WITH COLLAR	M20X2X185-12.9
6	72311428	10	COVER	
7	72624556	10	CAP COVER	A40,3/14,5-X5CRNI1810N
8	72624540	5	PLUG SCREW	M22X1,5X9-5.8
9	72624289	2	DOWEL	16H8X24-ST50-2K
10	72624290	8	DOWEL	8M6X18
11	ACP0406520	6	CYLINDER LINER	
12	ACP0359500	12	PROFILE SEAL	
13	ACP0357900	6	OIL SPLASH NOZZLE	
14	ACP0410440	6	HEX BOLT, WITH COLLAR	M6X12-10.9

IDEAL 9 COMBINE (2018) (ZN2C0007P03010001-999)
23300037-M-1



23300037-M-1

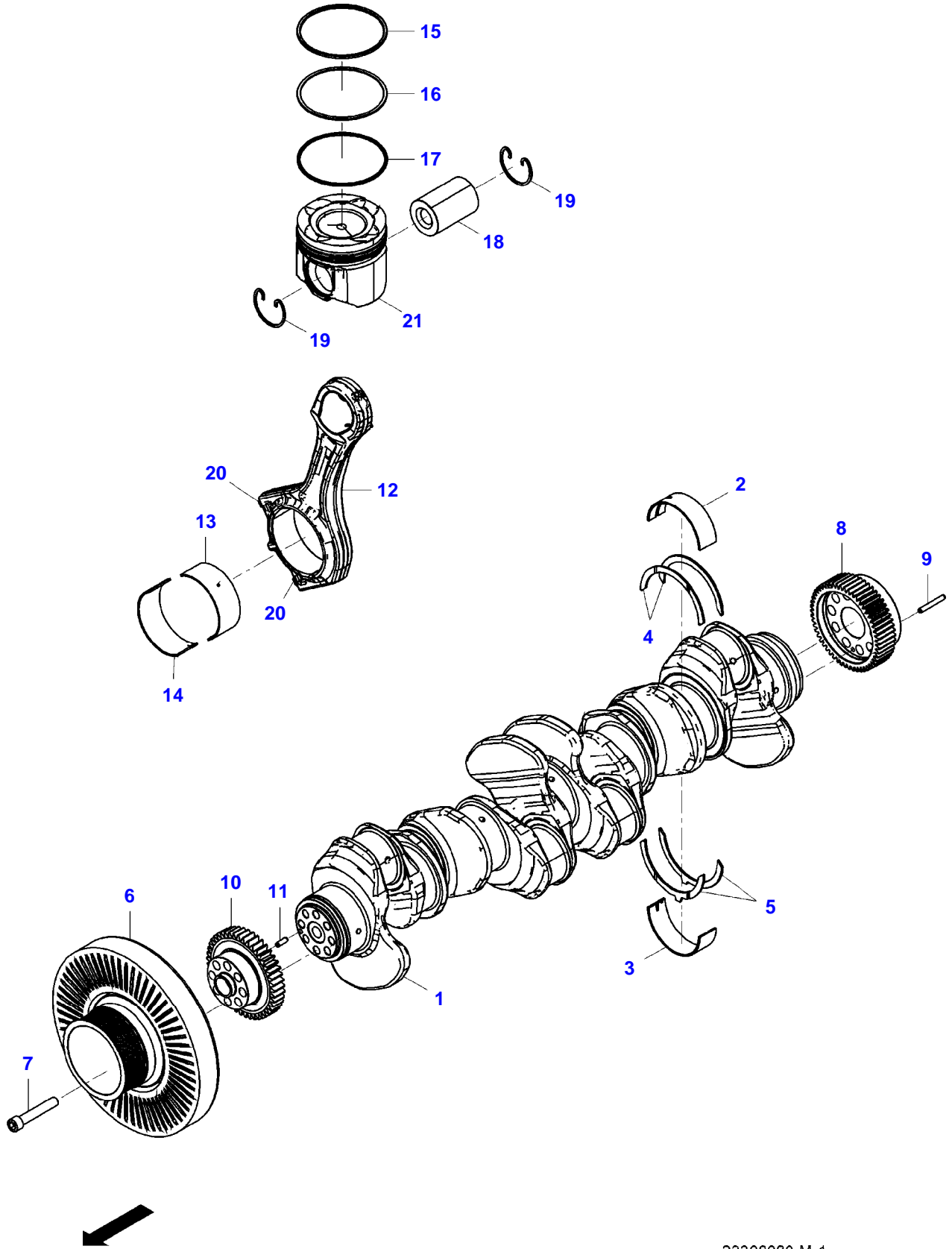
Item	Part Number	Qty	Description Comments	Technical Specification
ENGINE : STAGE 4				
1	ACP0406560	1	LID	
2	ACP0357880	1	LID	
4	ACP0357910	1	GASKET	
5	72624233	2	HEX FLANGE CAPSCREW	M8X35-10.9
6	72624230	13	HEX FLANGE CAPSCREW	M8X20-10.9
7	72624340	1	RADIAL SHAFT LIP SEAL	100X130X12
8	ACP0358210	2	GEAR,IDLER	
9	ACP0358240	1	WHEEL BOLT	
10	72624213	6	SOCKET HEAD BOLT	M8X30-10.9
11	ACP0359370	1	BUSHING	
13	ACP0358230	1	WHEEL BOLT	
15	ACP0358220	1	GEAR,IDLER	
16	72629229	1	HUB	
17	72624253	4	HEX FLANGE CAPSCREW	M14X80-10.9
18	ACP0357380	3	HEX FLANGE CAPSCREW	M12X60-10.9
19	ACP0359270	1	WHEEL BOLT	
20	ACP0359280	1	GEAR,IDLER	
21	72624551	1	THRUST WASHER	
22	ACP0357870	1	CAP COVER	
23	ACP0359480	2	SEALING WASHER	126X3-FPM1-70
24	ACP0357330	3	HEX FLANGE CAPSCREW	M10X60-10.9



23300061-M-1

Item	Part Number	Qty	Description Comments	Technical Specification
ENGINE : STAGE 4				
1	ACP0406780	1	FLYWHEEL HOUSING	
2	ACP0357890	1	SHAFT SEAL	
4	ACP0357320	3	HEX FLANGE CAPSCREW	M10X50-10.9
5	72625957	10	HEX BOLT, WITH COLLAR	M12X35-10.9
6	ACP0357390	2	HEX FLANGE CAPSCREW	M12X70-10.9
7	ACP0357560	1	SEALING WASHER	12,5X2,5N-FKM1-70-GN
8	ACP0359370	1	BUSHING	
9	ACP0353880	1	BLANK FLANGE	
10	ACP0406790	2	HEX TAPPING SCREW	ST4,2X16C
11	ACP0353770	1	RUBBER PLUG	46/38X19-59/51-CR2-70
12	72314695	1	LOCKING PLUG	
13	ACP0406800	1	FLYWHEEL INCLUDES ITEMS 14	
14	72624355	1	STARTER RING	
15	ACP0359290	10	HEX WAISTED BOLT	M18X1,5X98-12.9

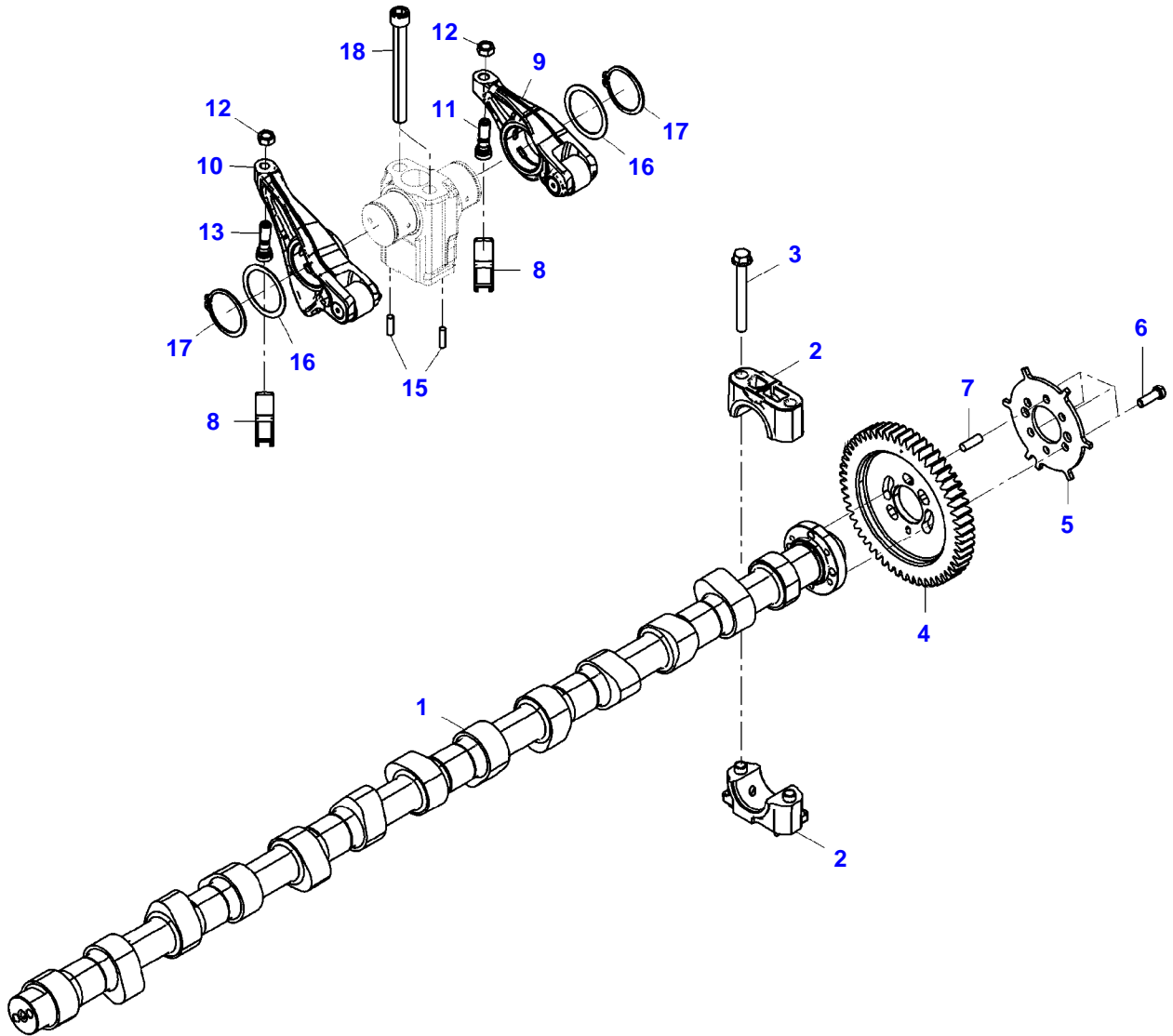
IDEAL 9 COMBINE (2018) (ZN2C0007P03010001-999)
23300080-M-1



23300080-M-1

Item	Part Number	Qty	Description Comments	Technical Specification
ENGINE : STAGE 4				
1	ACP0406810	1	CRANKSHAFT	
2	ACP0406820	7	BEARING SHELL	
3	ACP0406830	7	BEARING SHELL	
4	ACP0357840	2	RACE DISC	
5	ACP0357850	2	RACE DISC	
6	ACP0357940	1	CRANKSHAFT VIBRATION DAMPENER	
7	ACP0353250	8	SOCKET HEAD BOLT	M16X1,5X90-10.9-MAN183-B1
8	ACP0357930	1	CRANKSHAFT GEAR	
9	72624291	1	SPIRAL PIN	8X60-ST
10	72624349	1	CRANKSHAFT GEAR	
11	72313849	1	TENSIONING PIN	ISO8750-8X24-ST
12	ACP0357950	6	CONROD	
13	ACP0357960	6	BEARING SHELL	
14	ACP0357970	6	BEARING SHELL	
15	ACP0358030	6	TRAP.SECTION RG.	
16	ACP0358010	6	CHAMFER PIST.RG.	
17	ACP0358020	6	U/MKME-CHAMF.RG.	
18	ACP0358000	6	PISTON PIN	
19	ACP0359350	12	SNAPRING	60X2-FDST
20	ACP0410880	12	BUTTON HEAD CAP SCREW	M16X1,5X80-11.9
21	ACP0357980	6	PISTON	

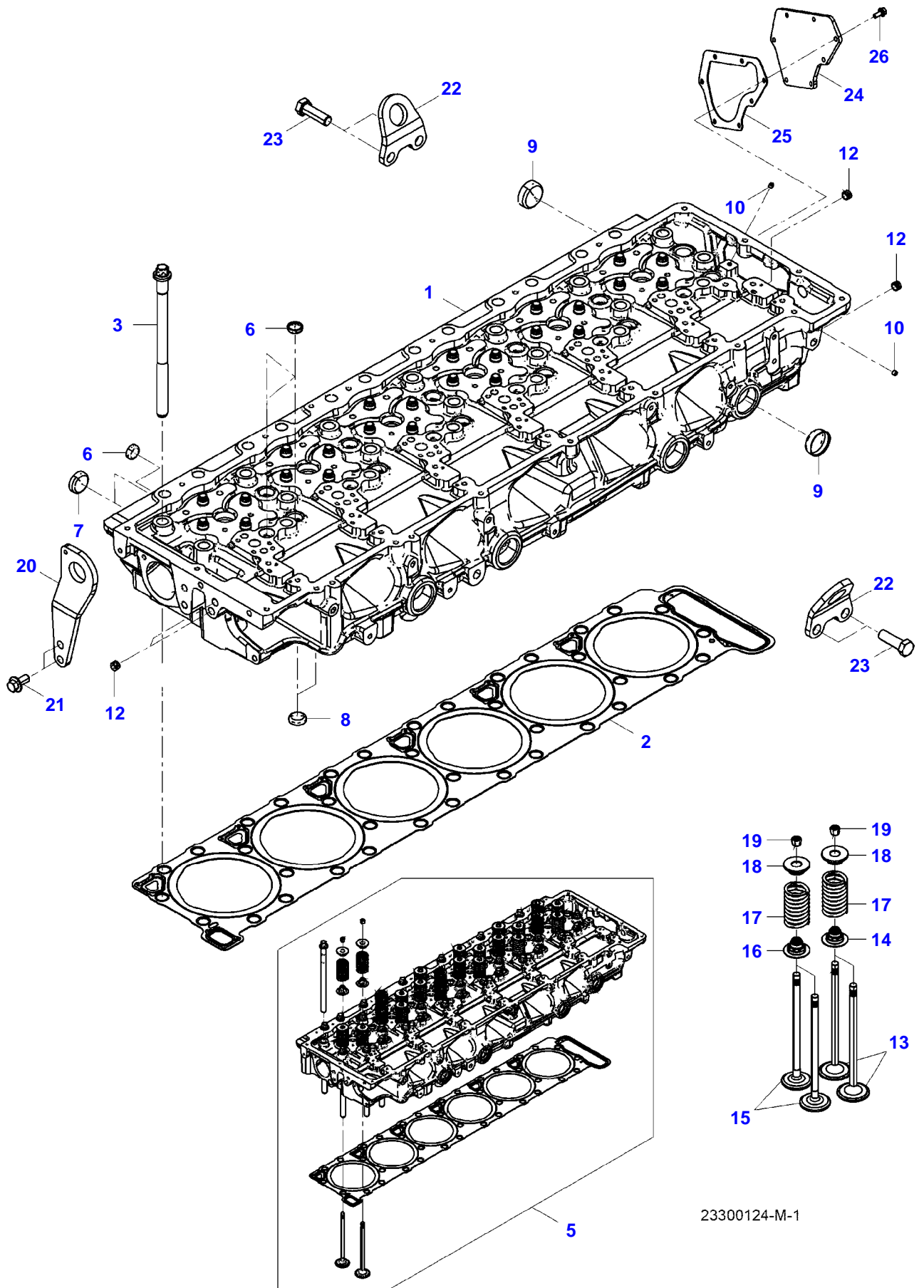
IDEAL 9 COMBINE (2018) (ZN2C0007P03010001-999)
23300104-M-1



23300104-M-1

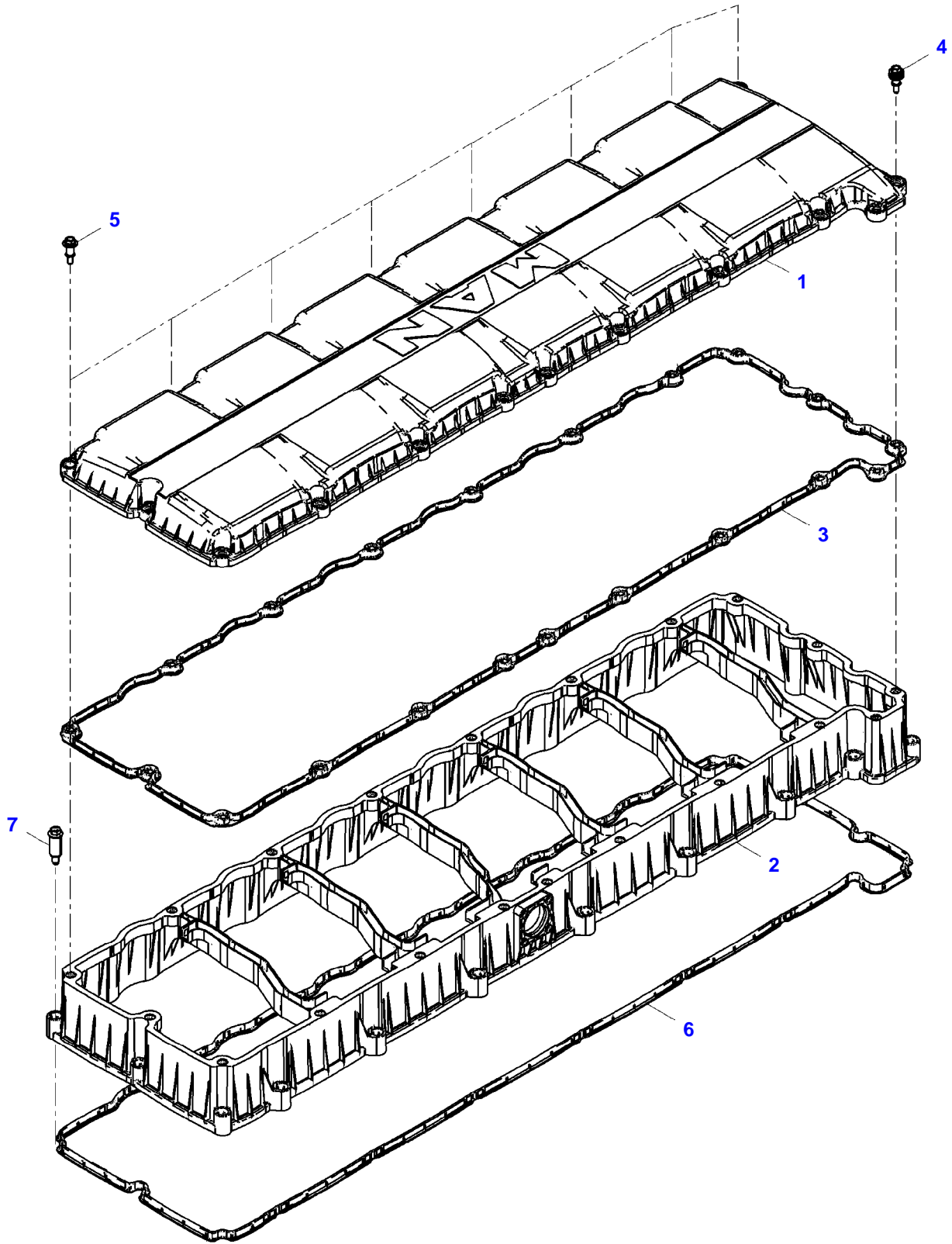
Item	Part Number	Qty	Description Comments	Technical Specification
ENGINE : STAGE 4				
1	ACP0358190	1	CAMSHAFT	
2	ACP0394930	7	BEARING SUPPORT	
3	72624221	14	HEX FLANGE CAPSCREW	M8X75-8.8
4	ACP0406850	1	CAM WHEEL	
5	ACP0406860	1	RATCHED WHEEL	
6	ACP0406870	4	SOCKET HEAD BOLT	M8X25-8.8-A2C
7	ACP0406880	1	DOWEL	8M6X24-ST50-2K
8	ACP0358180	12	VALVE BRIDGE	
9	ACP0359890	6	ROCKER ARM	
10	ACP0359910	6	ROCKER ARM	
11	ACP0359900	6	ADJUSTING SCREW	
12	72313252	24	NUT	
13	ACP0406940	6	ADJUSTING SCREW	M10X1X41,1-B-CF53-SW5
15	ACP0406950	12	DOWEL	6M6X20-ST50-2K
16	ACP0406960	12	SHIM	45X56X1-CK67H+A
17	ACP0406970	12	LOCK WASHER	45X1,75-ZNPHR5F
18	ACP0406980	12	SOCKET HEAD BOLT	M12X115-10.9

IDEAL 9 COMBINE (2018) (ZN2C0007P03010001-999)
23300124-M-1



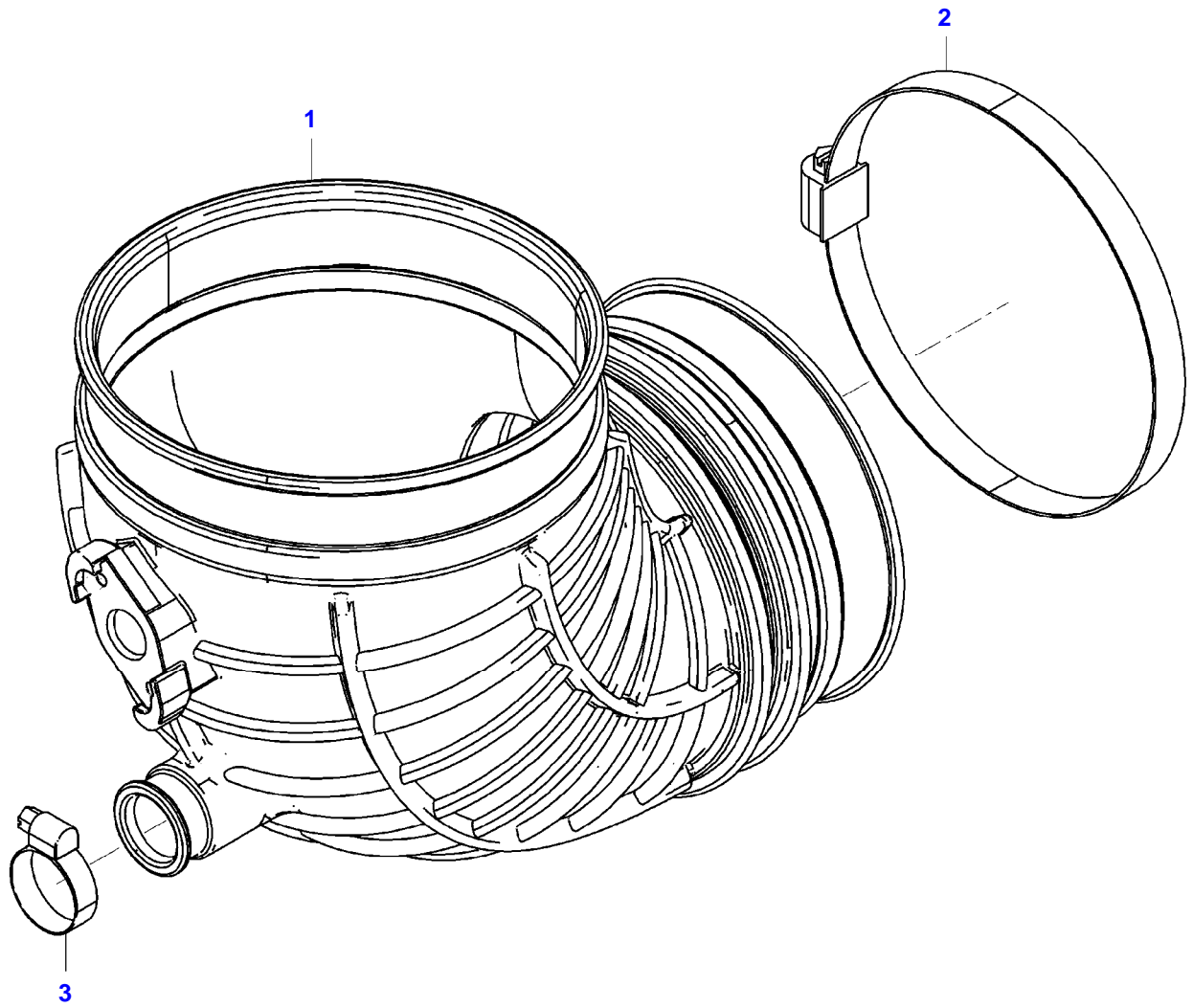
23300124-M-1

Item	Part Number	Qty	Description Comments	Technical Specification
ENGINE : STAGE 4				
1	ACP0358060	1	CYLINDER HEAD	
2	ACP0358100	1	CYLINDER HEAD GASKET	
3	ACP0359300	38	TRUSS HEAD SCREW	M16X1,5X246-11.9FZK
5	ACP0358050	1	CYLINDER HEAD	
6	ACP0359360	24	CAP COVER	A22,2/7,5-X5CRNI1810N
7	72311428	11	COVER	
8	72311429	12	COVER	
9	72311424	6	COVER	
10	72417088	2	SEALING PLUG	
12	ACP0357490	4	SEALING PLUG	12X7,5
13	ACP0358130	12	INLET VALVE	
14	ACP0358260	12	VALVE STEM SEAL	
15	ACP0358140	12	EXHAUST VALVE	
16	ACP0358250	12	VALVE STEM SEAL	
17	ACP0358150	24	VALVE SPRING	
18	ACP0358160	24	VALVE SPRING RETAINER	
19	ACP0358170	48	VALVE SPRING KEY	
20	ACP0407000	1	SUSPENSION EYE	
21	ACP0357370	2	HEX FLANGE CAPSCREW	M12X25-10.9
22	ACP0359210	2	SUSPENSION EYE	
23	ACP0407010	4	HEXAGONAL HEAD BOLT	M16X30-10.9
24	ACP0358070	1	LID	
25	ACP0358110	1	GASKET	
26	72624225	2	HEX FLANGE CAPSCREW	M6X16-10.9



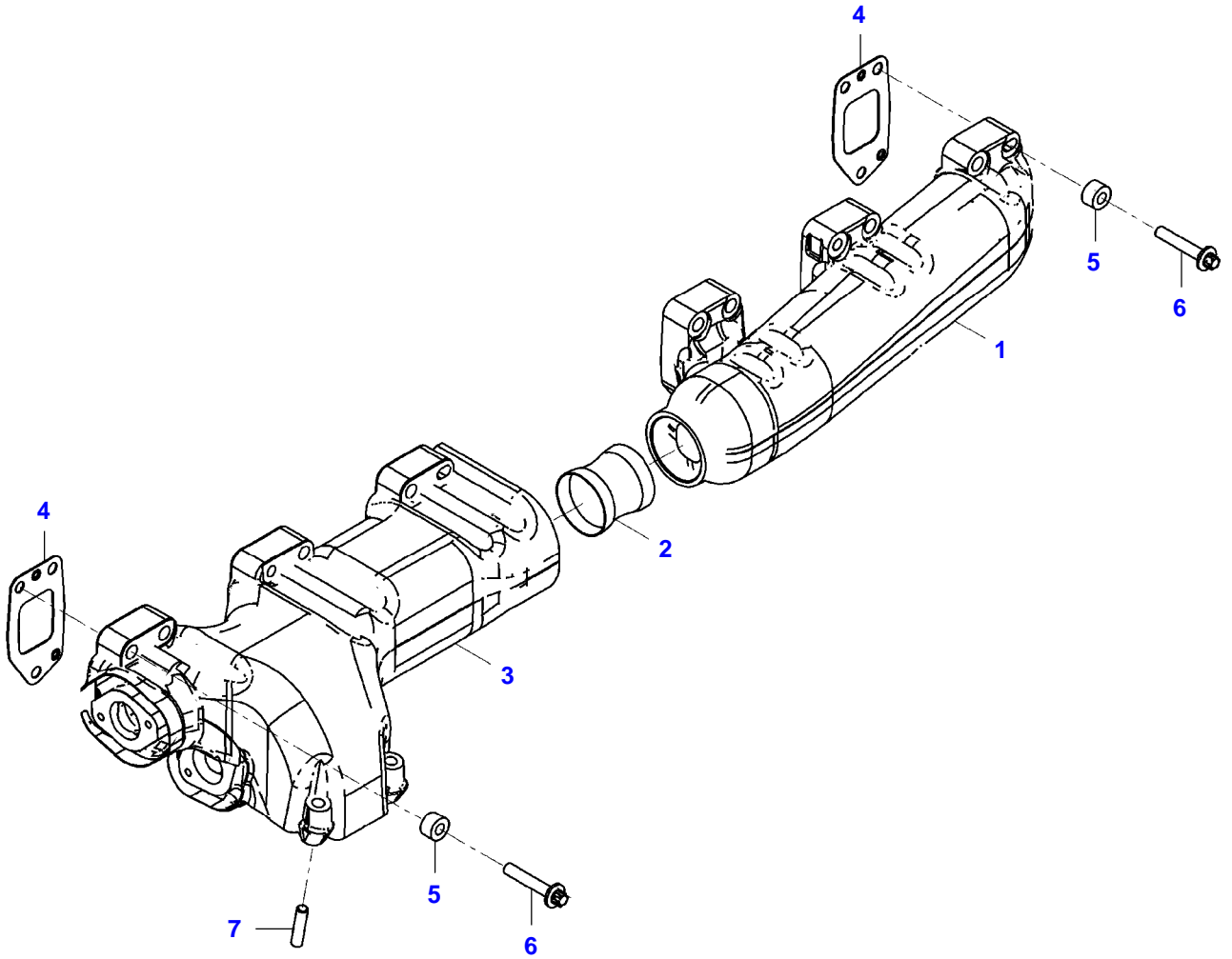
23300152-M-1

Item	Part Number	Qty	Description Comments	Technical Specification
ENGINE : STAGE 4				
1	ACP0358080	1	CYLINDER HEAD COVER	
2	ACP0358090	1	SPACER SHEET	
3	ACP0300660	1	CYLINDER HEAD GASKET	
4	ACP0359450	11	SCREW	M6X31
5	72624546	9	SCREW	
6	ACP0358120	1	PROFILE SEAL	
7	ACP0359460	20	BUSHING	



23300164-M-1

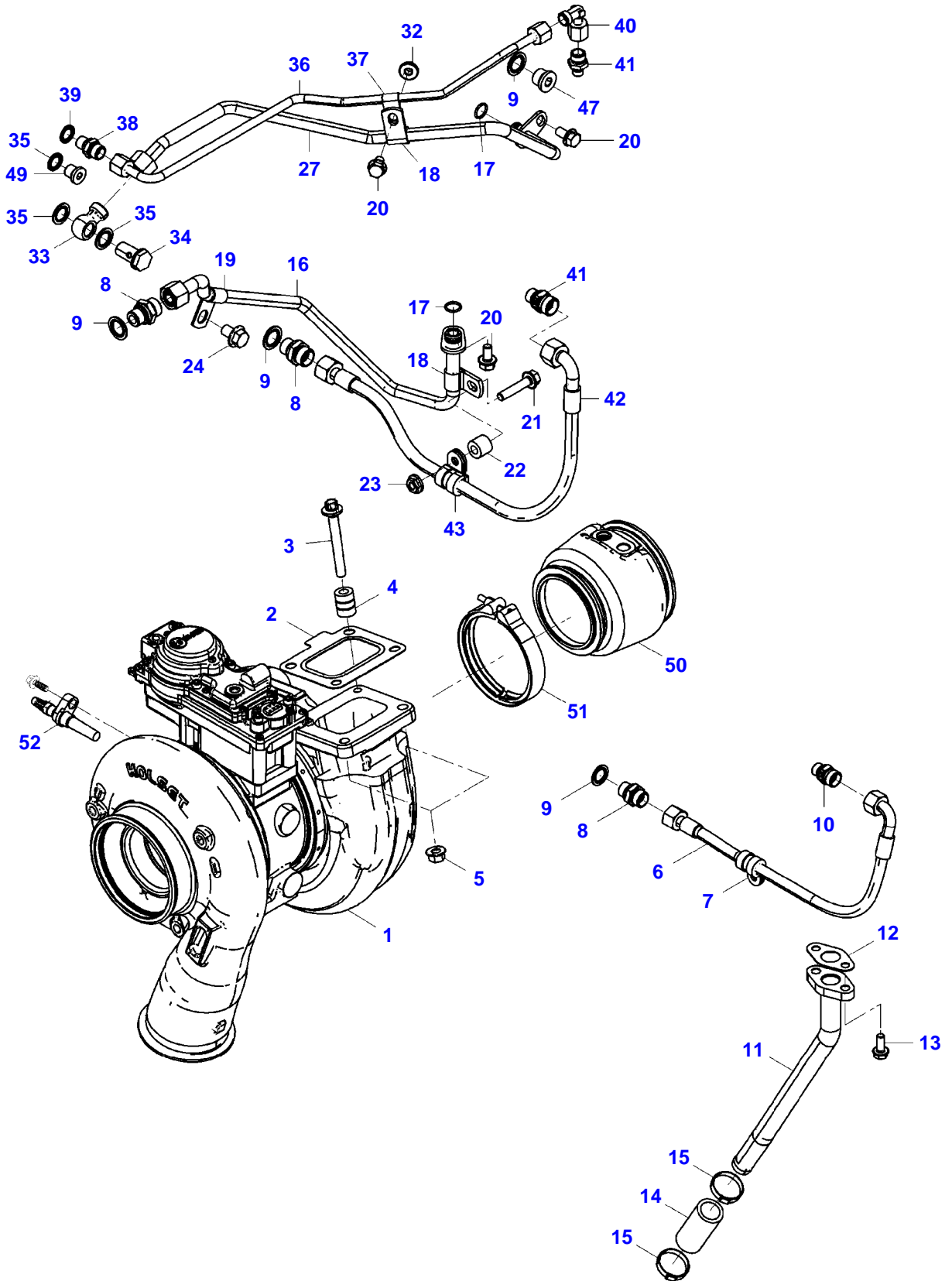
Item	Part Number	Qty	Description Comments	Technical Specification
			ENGINE : STAGE 4	
1	ACP0300610	1	AIR TUBE	
2	ACP0407020	1	HOSE CLIP	S130-150
3	ACP0353430	1	HOSE CLIP	L20-32



23300170-M-1

Item	Part Number	Qty	Description Comments	Technical Specification
ENGINE : STAGE 4				
1	ACP0300640	1	EXHAUST MANIFOLD	
2	ACP0358700	1	CONNECTING PIECE	
3	ACP0375320	1	EXHAUST MANIFOLD	
4	ACP0358850	6	MANIFOLD GASKET	
5	ACP0353750	18	BUSHING	10,5X22X13
6	72315395	18	WASHER HEAD BOLT	
7	ACP0407040	2	STUD BOLT	M10X63-SD

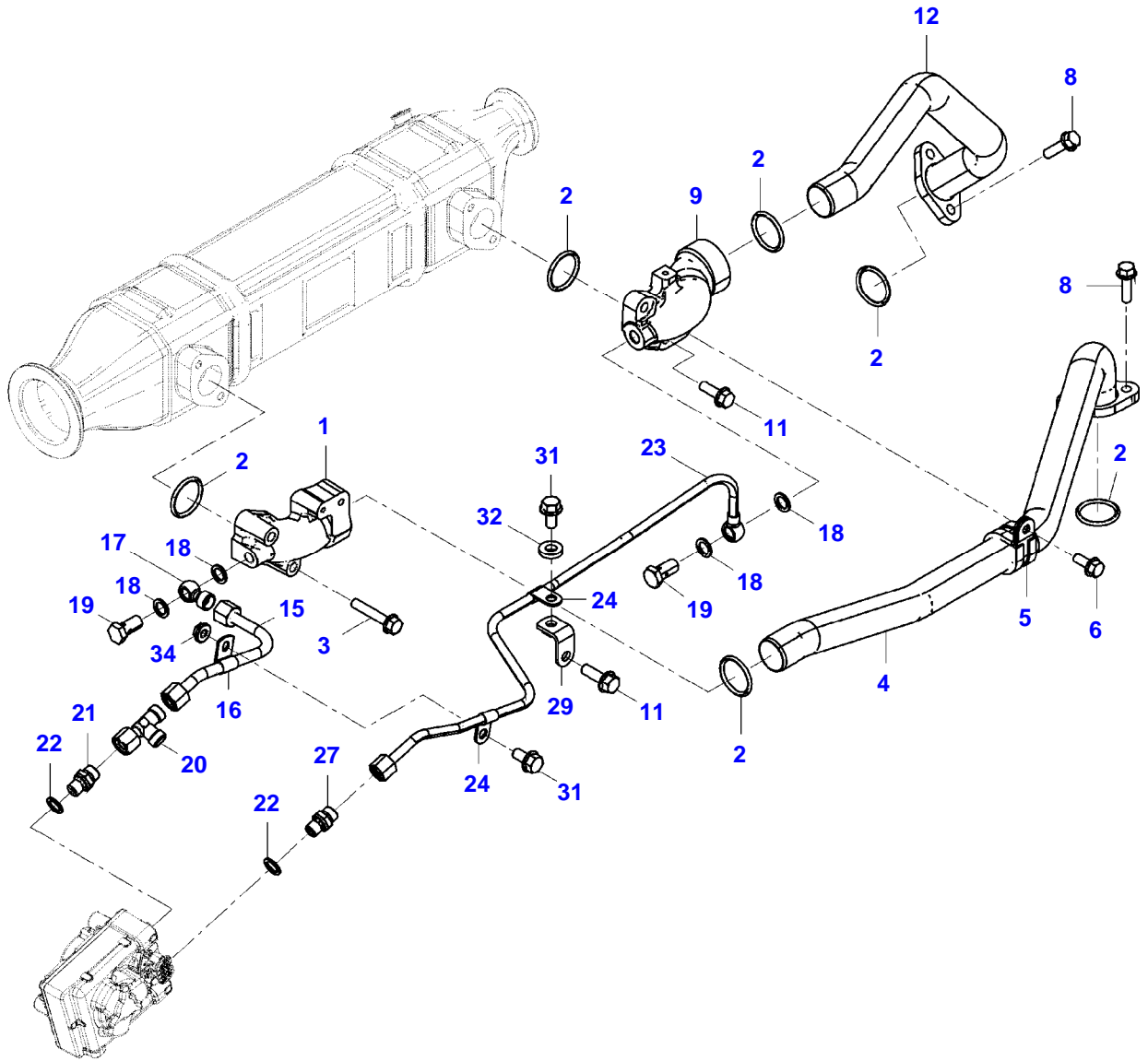
IDEAL 9 COMBINE (2018) (ZN2C0007P03010001-999)
23300180-M-1



23300180-M-1

Item	Part Number	Qty	Description Comments	Technical Specification
ENGINE : STAGE 4				
1	ACP0300620	1	TURBOCHARGER	
2	72624453	1	GASKET	
3	ACP0359330	2	TRUSS HEAD SCREW	M10X80-1.4980-E14-SD
4	ACP0359430	2	BUSHING	
5	72624276	2	SHOULDER HEX NUT	M10-GA-C3J
6	ACP0357510	1	HOSE LINE	A-10NN90X480-FKM
7	72608293	1	CLIP	
8	72624321	3	THREADED SOCKET	L12A-M-ST
9	72624304	4	SEALING WASHER	16,3X24X1,5-ST/FKM1-80
10	72624602	1	SOCKET	
11	ACP0358340	1	OIL RETURN LINE	
12	72624454	1	GASKET	
13	72624230	2	HEX FLANGE CAPSCREW	M8X20-10.9
14	72312632	1	HOSE	
15	72624590	2	HOSE CLIP	29,9-33,1
16	ACP0358590	1	COOLANT LINE INCLUDES ITEMS 17-18	
17	ACP0353400	2	SEALING WASHER	12,42X1,78N-FKM2-70
18	72624584	3	TUBE CLAMP	B12,1X20X33-9X13-UST37-2
19	ACP0407080	1	TUBE CLAMP	B12,1X20X37-11X14-UST37-2
20	72624229	4	HEX FLANGE CAPSCREW	M8X16-10.9
21	72624234	2	HEX FLANGE CAPSCREW	M8X40-10.9
22	ACP0353740	1	BUSHING	9X18X15
23	ACP0353360	1	LOCKNUT	M8-10-MAN183-B1
24	72624222	1	HEX FLANGE CAPSCREW	M10X16-8.8
27	ACP0407100	1	COOLANT LINE	
32	72624274	1	HEX NUT	M8-8
33	72346246	1	RING FITTING	
34	72417155	1	BANJO BOLT	
35	72624303	3	SEALING WASHER	14,3X22X1,5-ST/FKM1-80
36	ACP0407120	1	COOLANT LINE	
37	72624585	1	TUBE CLAMP	A8X16X28-9-UST37-2
38	72624320	1	THREADED SOCKET	L8A-M-ST
39	72624302	1	SEALING WASHER	12,3X18X1,5-ST/FKM1-80
40	ACP0357730	1	SOCKET	L8
41	ACP0407150	2	SOCKET	L8 M10X1
42	ACP0407160	1	HOSE LINE	
43	72608293	1	CLIP	
47	72624272	1	PLUG SCREW	M16X1,5-ST-M3360-RK9-K
49	72629234	1	PLUG SCREW	
50	ACP0407170	1	EXHAUST PIPE	
51	72624591	1	PROFILE CLIP	
52	ACP0407180	1	SHAFT SPEED SENSOR	

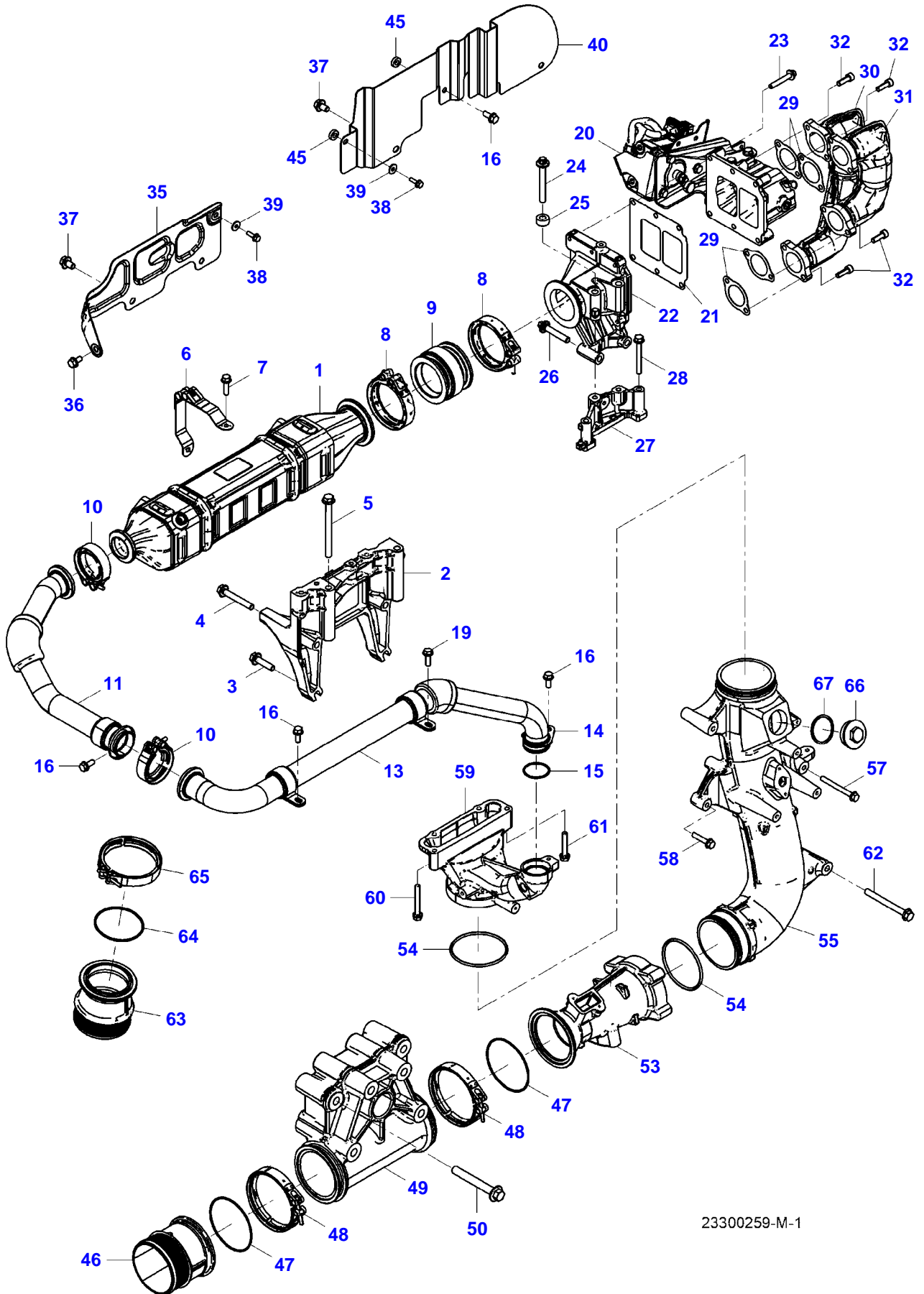
IDEAL 9 COMBINE (2018) (ZN2C0007P03010001-999)
23300227-M-1



23300227-M-1

Item	Part Number	Qty	Description Comments	Technical Specification
ENGINE : STAGE 4 1 OF 2				
1	ACP0358500	1	CONNECTING PART	
2	ACP0357680	6	SEALING WASHER	31,34X3,53N-EPDM9-70
3	72624663	2	HEX FLANGE CAPSCREW	M8X45-10.9
4	ACP0358520	1	COOLANT LINE INCLUDES ITEMS 5	
5	ACP0357710	1	CLIP	D1-32X20-W4-EPDM
6	72624230	1	HEX FLANGE CAPSCREW	M8X20-10.9
8	72624232	4	HEX FLANGE CAPSCREW	M8X30-10.9
9	ACP0358510	1	CONNECTING PART	
11	72624231	1	HEX FLANGE CAPSCREW	M8X25-10.9
12	ACP0358530	1	COOLANT LINE	
15	ACP0407690	1	COOLANT LINE	
16	ACP0407700	1	TUBE CLAMP	B10,1X20X28-7X10-UST37-2
17	72310189	1	RING FITTING	
18	ACP0357520	4	SEALING WASHER	A12X18-CU
19	72624325	2	BANJO BOLT	8-M3360-RK5-K
20	ACP0407710	1	SOCKET	L10
21	72624323	1	THREADED SOCKET	L10A-M12X1,5-ST
22	72624302	2	SEALING WASHER	12,3X18X1,5-ST/FKM1-80
23	ACP0407720	1	COOLANT LINE	
24	72624585	2	TUBE CLAMP	A8X16X28-9-UST37-2
27	72624320	1	THREADED SOCKET	L8A-M-ST
29	72624592	1	HOLDER	
31	72624229	2	HEX FLANGE CAPSCREW	M8X16-10.9
32	ACP0407730	1	WASHER	9X19X4
34	ACP0353360	1	LOCKNUT	M8-10-MAN183-B1

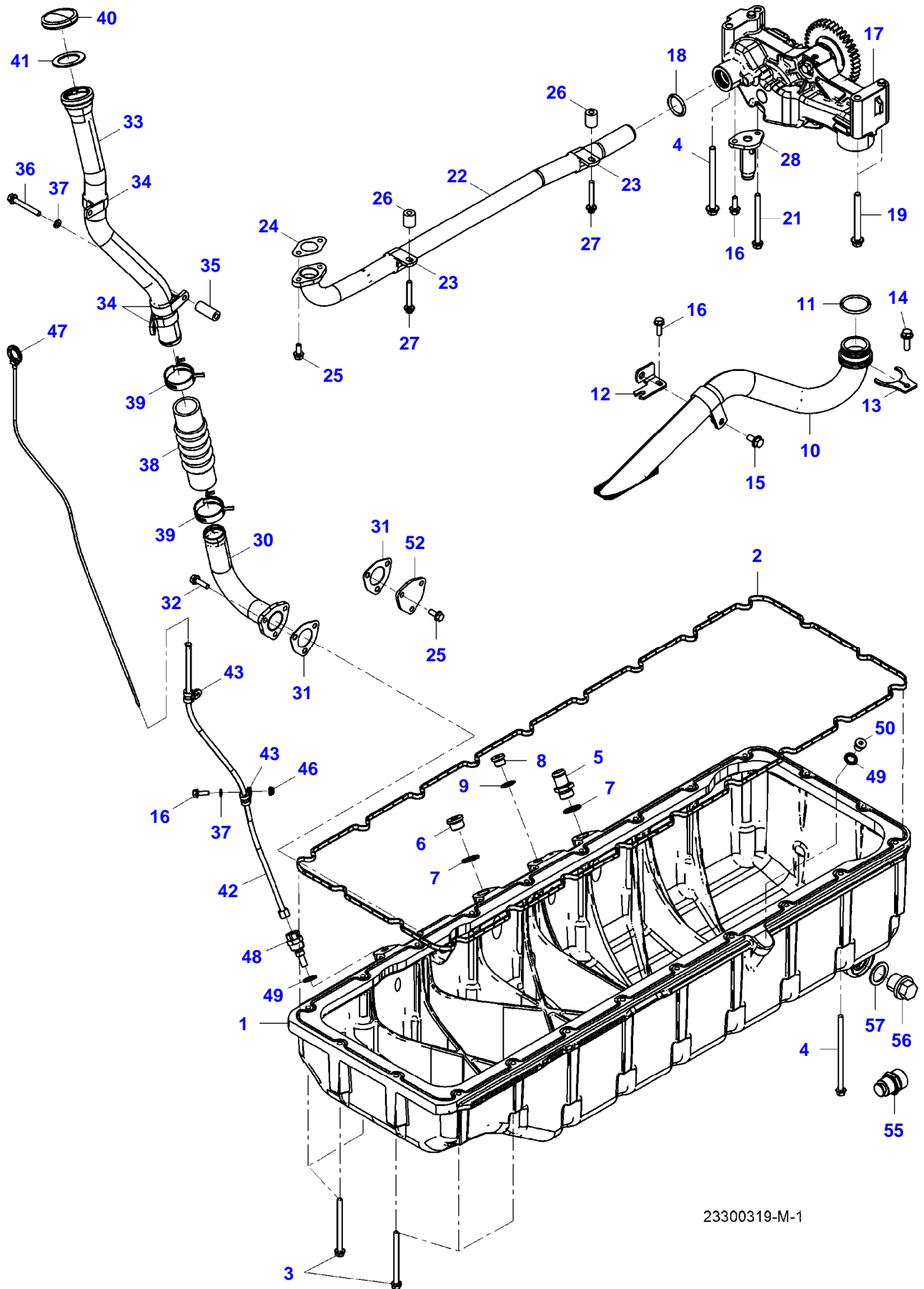
IDEAL 9 COMBINE (2018) (ZN2C0007P03010001-999)
23300259-M-1



23300259-M-1

Item	Part Number	Qty	Description Comments	Technical Specification
ENGINE : STAGE 4 2 OF 2				
1	ACP0300560	1	EGR-MODULE	
2	ACP0358730	1	CONSOLE	
3	ACP0353340	2	HEX FLANGE CAPSCREW	M10X40-10.9-MAN183-B1
4	ACP0357340	2	HEX FLANGE CAPSCREW	M10X70-10.9
5	72624247	2	HEX FLANGE CAPSCREW	M10X120-10.9
6	ACP0358750	2	BAND CLAMP	
7	72624232	4	HEX FLANGE CAPSCREW	M8X30-10.9
8	ACP0359570	2	PROFILE CLIP	93X20X1-7,9
9	ACP0359190	1	COMPENSATOR	
10	ACP0359580	2	PROFILE CLIP	DMR65-5,3B W4
11	ACP0358790	1	RETURN TUBE	
13	ACP0358800	1	RETURN TUBE	
14	ACP0357800	1	HOLDER	
15	72313527	1	SEAL	
16	72624230	4	HEX FLANGE CAPSCREW	M8X20-10.9
19	72624231	1	HEX FLANGE CAPSCREW	M8X25-10.9
20	ACP0300700	1	EGR VALVE	
21	ACP0358860	1	GASKET	
22	ACP0358760	1	CONSOLE	
23	72624667	6	HEXAGON FLANGE BOLT	M8X50-1.7709-E12-GA
24	ACP0359330	2	TRUSS HEAD SCREW	M10X80-1.4980-E14-SD
25	ACP0407740	2	BUSHING	
26	72315395	2	WASHER HEAD BOLT	
27	ACP0358740	1	HOLDER	
28	72455491	2	HEXAGONAL HEAD BOLT	
29	ACP0358870	4	GASKET	
30	ACP0358780	1	RETURN TUBE	
31	ACP0358770	1	RETURN TUBE	
32	ACP0407750	8	SOCKET HEAD BOLT	M8X25-HWF-T45
35	ACP0358710	1	FENDER	
36	72624229	1	HEX FLANGE CAPSCREW	M8X16-10.9
37	72624222	4	HEX FLANGE CAPSCREW	M10X16-8.8
38	72624226	2	HEX FLANGE CAPSCREW	M6X20-10.9
39	72624284	2	WASHER	6X18X1,6-200HV
40	ACP0358720	1	FENDER	
45	ACP0359380	2	BUSHING	9X18X5-ST35NBK
46	ACP0407800	1	SOCKET	
47	ACP0353410	2	SEALING WASHER	101,2X2,62N-FPM1-70-GN
48	ACP0353870	2	PROFILE CLIP	
49	ACP0358920	1	CHARGE AIR ELBOW	
50	ACP0357430	2	HEX FLANGE CAPSCREW	M14X105-10.9
53	ACP0407810	1	CHARGE AIR TUBE	
54	ACP0353390	2	SEALING WASHER	92X4,5N-NBR3-70
55	ACP0407830	1	CHARGE AIR ELBOW	
57	72624236	2	HEX FLANGE CAPSCREW	M8X80-10.9
58	72624234	1	HEX FLANGE CAPSCREW	M8X40-10.9
59	ACP0407840	1	CHARGE AIR ELBOW	
60	ACP0353300	2	HEX FLANGE CAPSCREW	M8X65-10.9-MAN183-B1
61	72433860	2	TORX SCREW	
62	72624245	1	HEX FLANGE CAPSCREW	M10X100-10.9
63	ACP0358890	1	CHARGE AIR ELBOW	
64	ACP0407850	1	SEALING WASHER	90X82X2,3
65	ACP0359560	1	PROFILE CLIP	108X20-A2
66	ACP0357470	1	PLUG SCREW	CM45X1,5-ST-ZNPHR3F
67	ACP0357530	1	SEALING WASHER	A45X52-CU

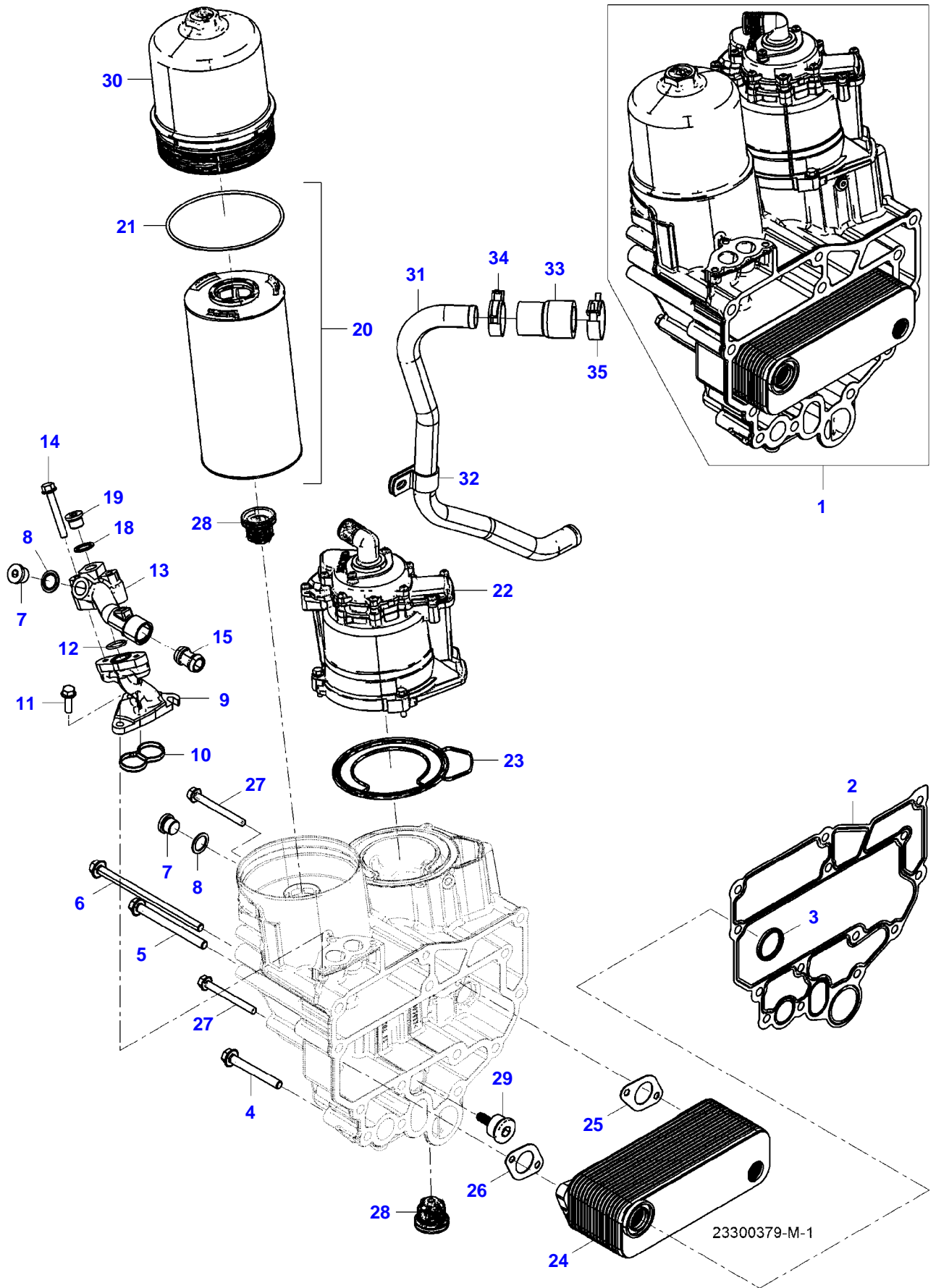
IDEAL 9 COMBINE (2018) (ZN2C0007P03010001-999)
23300319-M-1



23300319-M-1

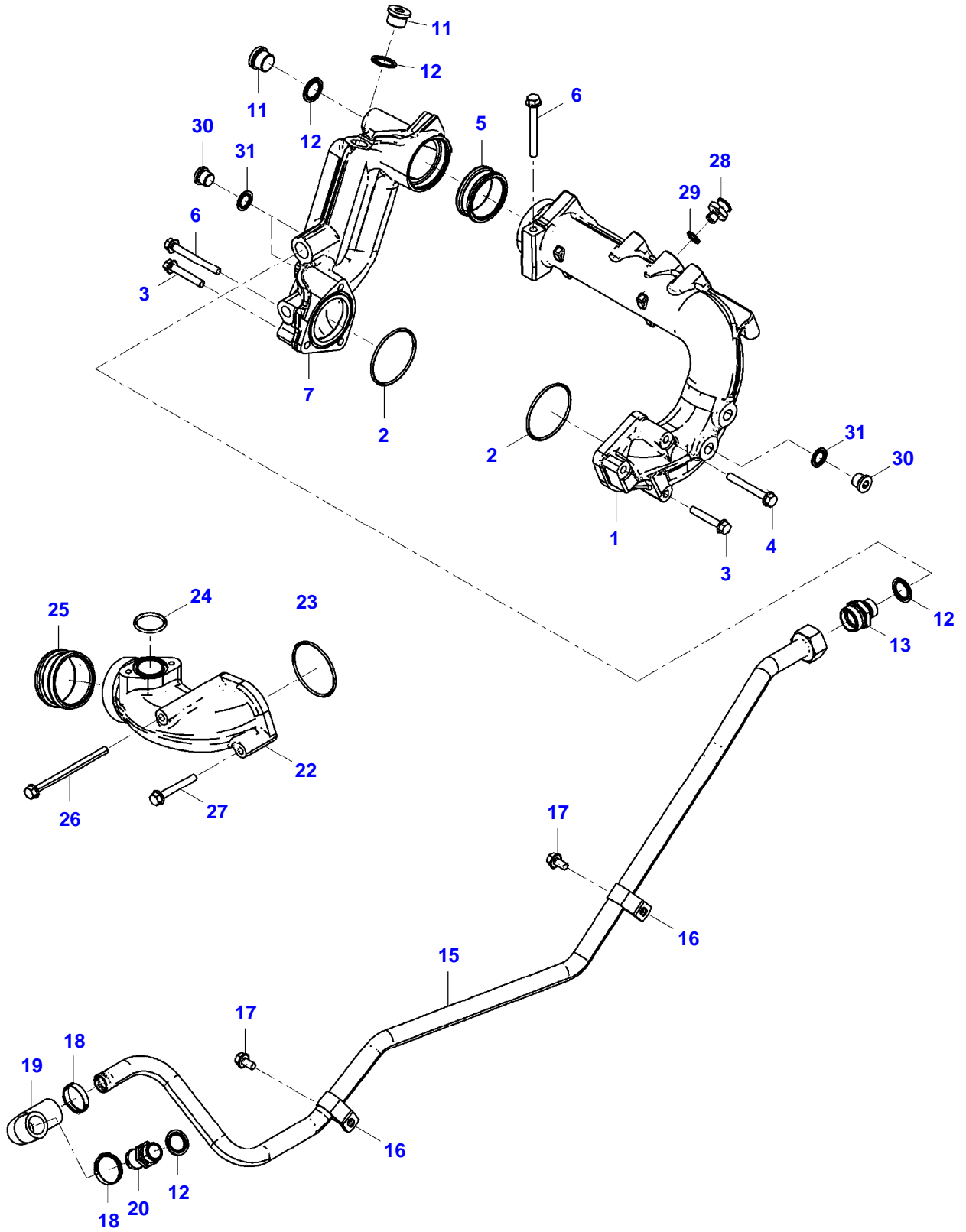
Item	Part Number	Qty	Description Comments	Technical Specification
ENGINE : STAGE 4				
1	ACP0358400	1	OIL SUMP	
2	ACP0358450	1	OIL PAN GASKET	
3	72624238	6	HEX FLANGE CAPSCREW	M8X110-10.9
4	ACP0357270	16	HEX FLANGE CAPSCREW	M8X160-10.9
5	72417047	1	HOSE BARB	
6	ACP0394920	1	PLUG SCREW	M24X1,5-ST-A3C
7	72423359	2	GASKETS	
8	72629226	1	PLUG SCREW	
9	72623466	1	SEALING WASHER	PCS-18,3X26-ST/FKM1-80
10	ACP0358330	1	OIL SUCTION LINE	
11	ACP0357590	1	SEALING WASHER	45X5N-FPM1-70-GN
12	ACP0358390	1	HOLDER	
13	ACP0358380	1	FASTENER	
14	ACP0353330	1	HEX FLANGE CAPSCREW	M10X30-10.9-MAN183-B1
15	ACP0357310	1	HEX FLANGE CAPSCREW	M10X25-10.9
16	72624231	5	HEX FLANGE CAPSCREW	M8X25-10.9
17	ACP0358270	1	OIL PUMP INCLUDES ITEMS 18	
18	72624309	1	O-RING SEAL	32X5N-FPM1-70-GN
19	72624245	2	HEX FLANGE CAPSCREW	M10X100-10.9
20	ACP0357350	1	HEX FLANGE CAPSCREW	M10X130-10.9
21	ACP0357290	1	HEX FLANGE CAPSCREW	M8X105-10.9
22	ACP0408000	1	OIL PRESSURE LINE	
23	72624588	2	TUBE CLAMP	B32,2X25X46-9X13-S235JRFU-A3C
24	ACP0358650	1	GASKET	
25	72624230	5	HEX FLANGE CAPSCREW	M8X20-10.9
26	ACP0408010	2	BUSHING	9X20X26-ST35NBK
27	72416964	2	TORX SCREW	M8X55
28	ACP0358280	1	PRESSURE-RELIEF VALVE	
30	ACP0358440	1	OIL FILLER NECK	
31	ACP0353520	2	GASKET	
32	72624232	3	HEX FLANGE CAPSCREW	M8X30-10.9
33	ACP0408020	1	FILLING PIPE INCLUDES ITEMS 34	
34	ACP0353840	3	PROFILE CLIP	A38X20X44-9-UST37-2
35	ACP0411260	1	BUSHING	17,5X22,2X10-ST35NBK
36	72455491	1	HEXAGONAL HEAD BOLT	
37	72649375	4	WASHER	8X16X1,6-200HV
38	ACP0353790	1	CORRIGATED HOSE	38X38X190-MAN333
39	ACP0353450	2	SPRING BAND CLAMP	A-49X15
40	72311395	1	COVER	
41	72312231	1	SEAL	
42	ACP0408040	1	GUIDE TUBE INCLUDES ITEMS 43	
43	72604682	2	CLIP	
46	ACP0353360	2	LOCKNUT	M8-10-MAN183-B1
47	ACP0408050	1	DIPSTICK	
48	ACP0408060	1	SCREW NECK	
49	72624303	2	SEALING WASHER	14,3X22X1,5-ST/FKM1-80
50	72629224	1	PLUG SCREW	
52	72624595	1	BLANK FLANGE	
55	ACP0359320	1	DRAIN PLUG	M26X1,5
56	ACP0353690	1	PLUG SCREW	M26X1,5X20-9SMNPB28K-PM
57	ACP0353820	1	GASKET	

IDEAL 9 COMBINE (2018) (ZN2C0007P03010001-999)
23300379-M-1



Item	Part Number	Qty	Description Comments	Technical Specification
ENGINE : STAGE 4				
1	ACP0300630	1	OIL MODULE ASSEMBLY	
2	ACP0411280	1	GASKET	
3	ACP0359490	1	SEALING WASHER	
4	72624244	8	HEX FLANGE CAPSCREW	M10X80-10.9
5	72624246	3	HEX FLANGE CAPSCREW	M10X110-10.9
6	72627915	2	HEX FLANGE CAPSCREW	
7	72629226	3	PLUG SCREW	
8	72623466	3	SEALING WASHER	PCS-18,3X26-ST/FKM1-80
9	ACP0358350	1	CONNECTING FLANGE	
10	72624409	1	GASKET	
11	72624231	3	HEX FLANGE CAPSCREW	M8X25-10.9
12	ACP0357580	1	SEALING WASHER	20X2,5N-FKM1-70-GN
13	ACP0358360	1	CONNECTING FLANGE	
14	ACP0353290	2	HEX FLANGE CAPSCREW	M8X60-10.9-MAN183-B1
15	72624609	1	EXTENSION TUBE	
18	72624304	1	SEALING WASHER	16,3X24X1,5-ST/FKM1-80
19	72649377	1	PLUG SCREW	M16X1,5
20	ACP0287860	1	OIL FILTER INCLUDES ITEMS 21	
21	72624577	1	O-RING SEAL	126X4
22	ACP0300540	1	OIL SEPARATOR	
23	72627918	2	GASKET	
24	ACP0358300	1	OIL COOLER	
25	72627920	1	OIL COOLER SEAL	
26	72627920	1	OIL COOLER SEAL	
27	ACP0357240	4	HEX FLANGE CAPSCREW	M8X80-8.8
28		2		
NOT AVAILABLE IN SINGLE PARTS				
29	72624396	1	PRESSURE-RELIEF VALVE	
30	ACP0358290	1	LID	
31	ACP0408090	1	BREATHER LINE	
32	72608301	1	PIPE CLAMP	
33	72624572	1	HOSE	
34	72608303	1	CLIP	
35	72605607	1	CLIP	

IDEAL 9 COMBINE (2018) (ZN2C0007P03010001-999)
23300418-M-1



23300418-M-1

Item	Part Number	Qty	Description Comments	Technical Specification
ENGINE : STAGE 4				
1	ACP0358470	1	COOLANT MANIFOLD	
2	ACP0357660	2	SEALING WASHER	67X3N-EPDM9-70
3	72433860	2	TORX SCREW	
4	ACP0353300	2	HEX FLANGE CAPSCREW	M8X65-10.9-MAN183-B1
5	72624607	1	EXTENSION TUBE	
6	ACP0357280	3	HEX FLANGE CAPSCREW	M8X75-10.9
7	ACP0358480	1	COOLANT MANIFOLD	
11	72624265	2	PLUG SCREW	M22X1,5-ST
12	72622285	4	SEALING WASHER	
13	ACP0357740	1	SOCKET	L22-M22X1,5A-ST
15	ACP0408100	1	COOLANT LINE INCLUDES ITEMS 16	
16	ACP0359530	2	TUBE CLAMP	B22,2X20X30-9X13-UST37-2
17	72624229	2	HEX FLANGE CAPSCREW	M8X16-10.9
18	72624590	2	HOSE CLIP	29,9-33,1
19	ACP0359650	1	HOSE ARCH	22/22-25/25/40
20	ACP0359620	1	HOSE BARB	M22X1,5
22	ACP0358490	1	COOLANT MANIFOLD	
23	ACP0357700	1	SEALING WASHER	65X3N-EPDM9-70
24	ACP0357680	1	SEALING WASHER	31,34X3,53N-EPDM9-70
25	ACP0359630	1	PLUG IN FLANGE	
26	ACP0353310	1	HEX FLANGE CAPSCREW	M8X120-10.9-MAN183-B1
27	ACP0353290	1	HEX FLANGE CAPSCREW	M8X60-10.9-MAN183-B1
28	72624605	1	HOSE COUPLER	
29	72624302	1	SEALING WASHER	12,3X18X1,5-ST/FKM1-80
30	72624272	3	PLUG SCREW	M16X1,5-ST-M3360-RK9-K
31	72624304	3	SEALING WASHER	16,3X24X1,5-ST/FKM1-80

Thank you so much for reading.
Please click the “Buy Now!”
button below to download the
complete manual.



After you pay.

You can download the most
perfect and complete manual in
the world immediately.

Our support email:

ebooklibonline@outlook.com