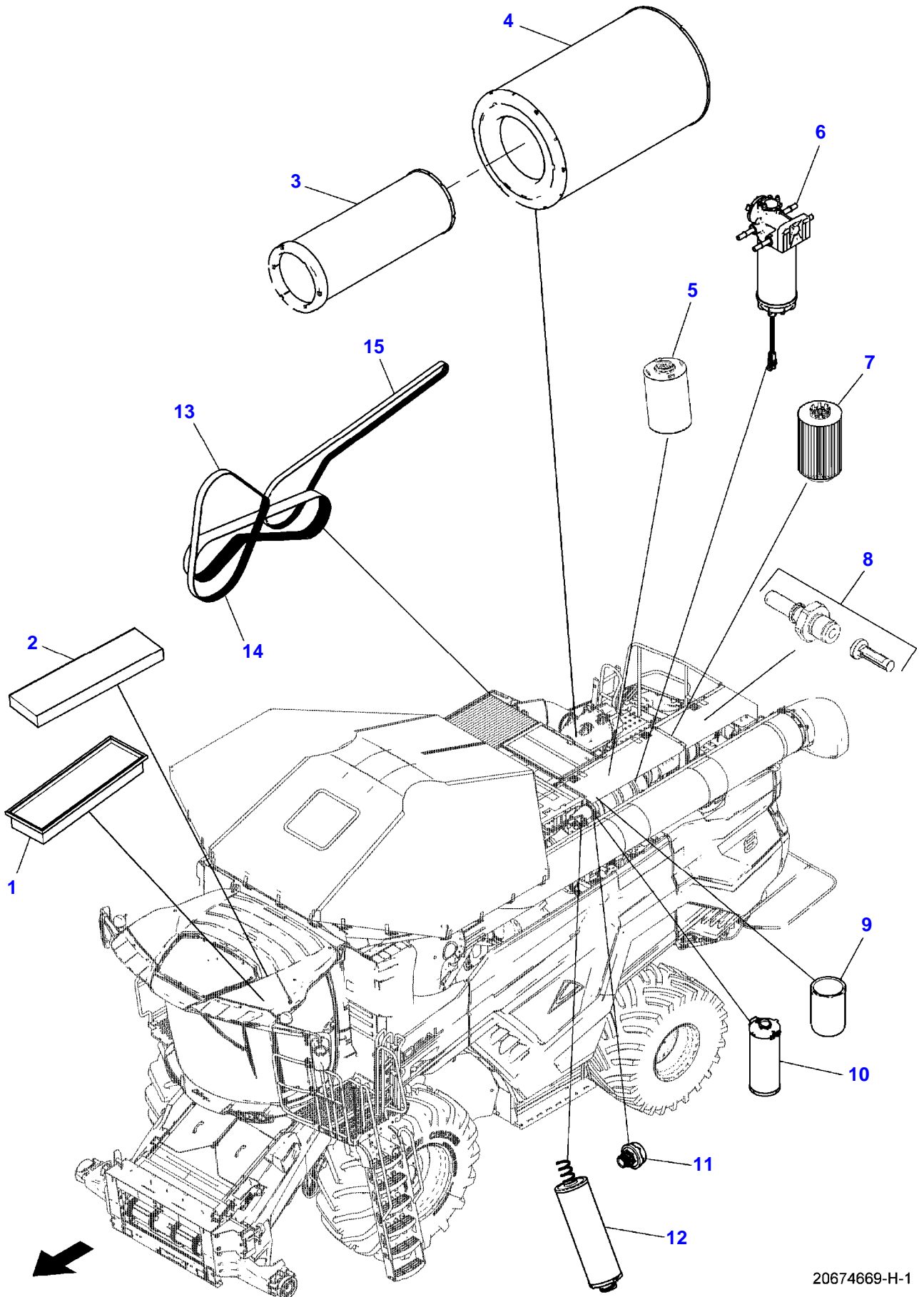


Page Number	Page Title	Page Reference
01-000-TOC	ENGINE, FUEL AND EXHAUST SYSTEM	01-000-TOC
02-000-TOC	ENGINE	02-000-TOC
03-000-TOC	ENGINE INSTALLATION	03-000-TOC
04-000-TOC	DRIVE SYSTEM	04-000-TOC
05-000-TOC	AXLES	05-000-TOC
06-000-TOC	DRIVE TRAIN SYSTEM	06-000-TOC
07-000-TOC	BRAKE SYSTEM	07-000-TOC
08-000-TOC	HYDRAULIC SYSTEM	08-000-TOC
09-000-TOC	ELECTRICAL SYSTEM	09-000-TOC
10-000-TOC	CAB	10-000-TOC
11-000-TOC	AIR CONDITIONING AND HEATING SYSTEM	11-000-TOC
12-000-TOC	CHASSIS	12-000-TOC
13-000-TOC	DECALS	13-000-TOC
14-000-TOC	WHEELS	14-000-TOC
15-000-TOC	FEEDING SYSTEM	15-000-TOC
16-000-TOC	THRESHING SYSTEM	16-000-TOC
17-000-TOC	CLEANING SYSTEM	17-000-TOC
18-000-TOC	GRAIN BIN AND ELEVATOR SYSTEM	18-000-TOC
19-000-TOC	DISCHARGE SYSTEM	19-000-TOC
20-000-TOC	PRECISION FARMING SYSTEMS	20-000-TOC
21-000-TOC	ATTACHMENTS	21-000-TOC
22-000-TOC	ACCESSORIES	22-000-TOC

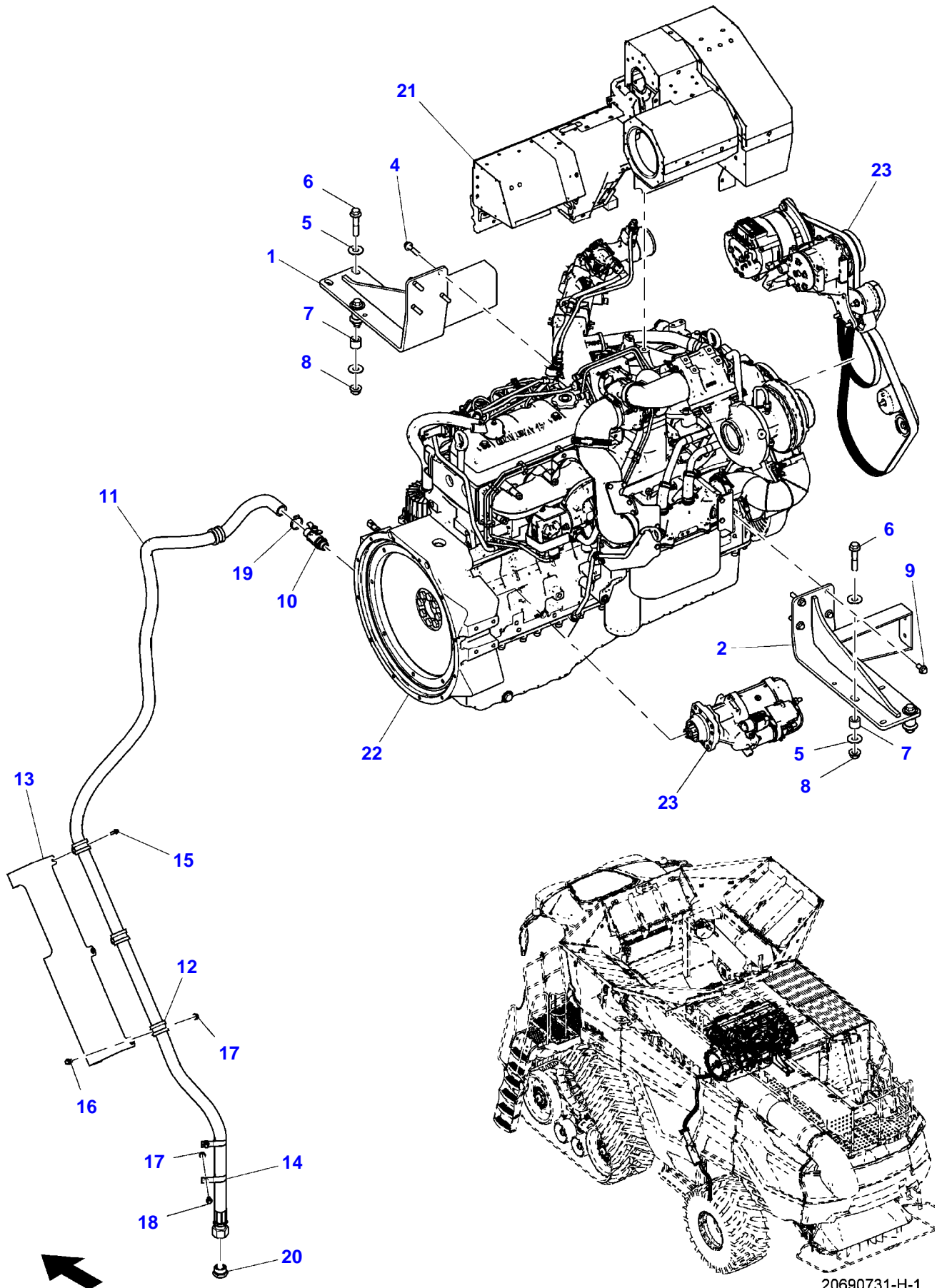
Page Number	Page Title	Page Reference
01-0001	FILTER AND BELT GUIDE - CL7	2329734
01-0002	ENGINE T4F - ENGINE, ALTERNATOR, STARTER, AIR CONDITIONER T4F	2329903
01-0003	STARTER, ALTERNATOR AND AIR CONDITIONER COMPRESSOR - CL7	2343778
01-0004	FUEL SYSTEM ASSEMBLY - CL7	2343779
01-0005	FUEL INJECTION SYSTEM	2333324
01-0006	FUEL INJECTION PUMP - SERVICE PARTS	2333323
01-0007	FUEL FILTERS	2333322
01-0008	FUEL FILTERS - SERVICE PARTS - ENGINE TYPE AWF	2333321
01-0009	FUEL FILTERS - SERVICE PARTS - ENGINE TYPE AXW3	2333320
01-0010	FUEL TANK ASSEMBLY, 1000 LITER, 264 GALLON 1000L 264 GALLONS	2314676
01-0011	FUEL TANK ASSEMBLY, 1250 LITER, 330 GALLON 1250L 330 GALLONS	2314677
01-0012	DEF SYSTEM INSTALLATION - T4F, ST4 - CL7	2343390
01-0013	DEF TANK	2314678
01-0014	COOLING PACKAGE ASSEMBLY	2330353
01-0015	RADIATOR AND COOLERS	2330354
01-0016	COOLANT AND AIR TUBES PAGE 2 OF 2	2330352
01-0017	COOLANT AND AIR TUBES	2370052
01-0018	COOLANT AND AIR TUBES	2330065
01-0019	COMPRESSED AIR - CL7	2343391
01-0020	AIR COMPRESSOR	2372974
01-0021	COMPRESSED AIR	2343392
01-0022	ASPIRATOR GROUP - MOUNT	2332669
01-0023	EXHAUST GROUP - T4F, ST4 - CL7	2344167
01-0024	EXHAUST AFTERTREATMENT - SERVICE PARTS	2333316

IDEAL CLASS 7 COMBINE  
20674669-H-1



Item	Part Number	Qty	Description Comments	Technical Specification
1	71484324	1	AIR FILTER	
2	71468247	1	AIR FILTER	
3	ACP0287840	1	SECONDARY AIR FILTER ELEMENT	
4	ACP0287830	1	PRIMARY AIR FILTER ELEMENT	
5	ACP0154860	1	FILTER CARTRIDGE	
6	ACW4182090	1	FUEL FILTER	
7	ACP0153530	1	FILTER ELEMENT	
8	ACP0300680	1	SUCTION FILTER	
9	ACW1330790	1	FILTER ELEMENT	
10	ACW1344920	1	OIL FILTER	
	ACW1344930	1	INDICATOR	
	ACX0102830	1	FILTER ELEMENT	
11	ACX0102560	1	HYDRAULIC TANK FILTER BREATHER	
12	ACW0742020	1	OIL FILTER	
	ACX0102560	1	HYDRAULIC TANK FILTER BREATHER	
	ACW0703380	1	SENSOR	
	ACW0741900	1	FILTER CARTRIDGE	
13	ACW1752880	1	WATER PUMP BELT	CL7
14	ACW1752330	1	COOLING FAN V-BELT	
15	ACW1752340	1	BELT	

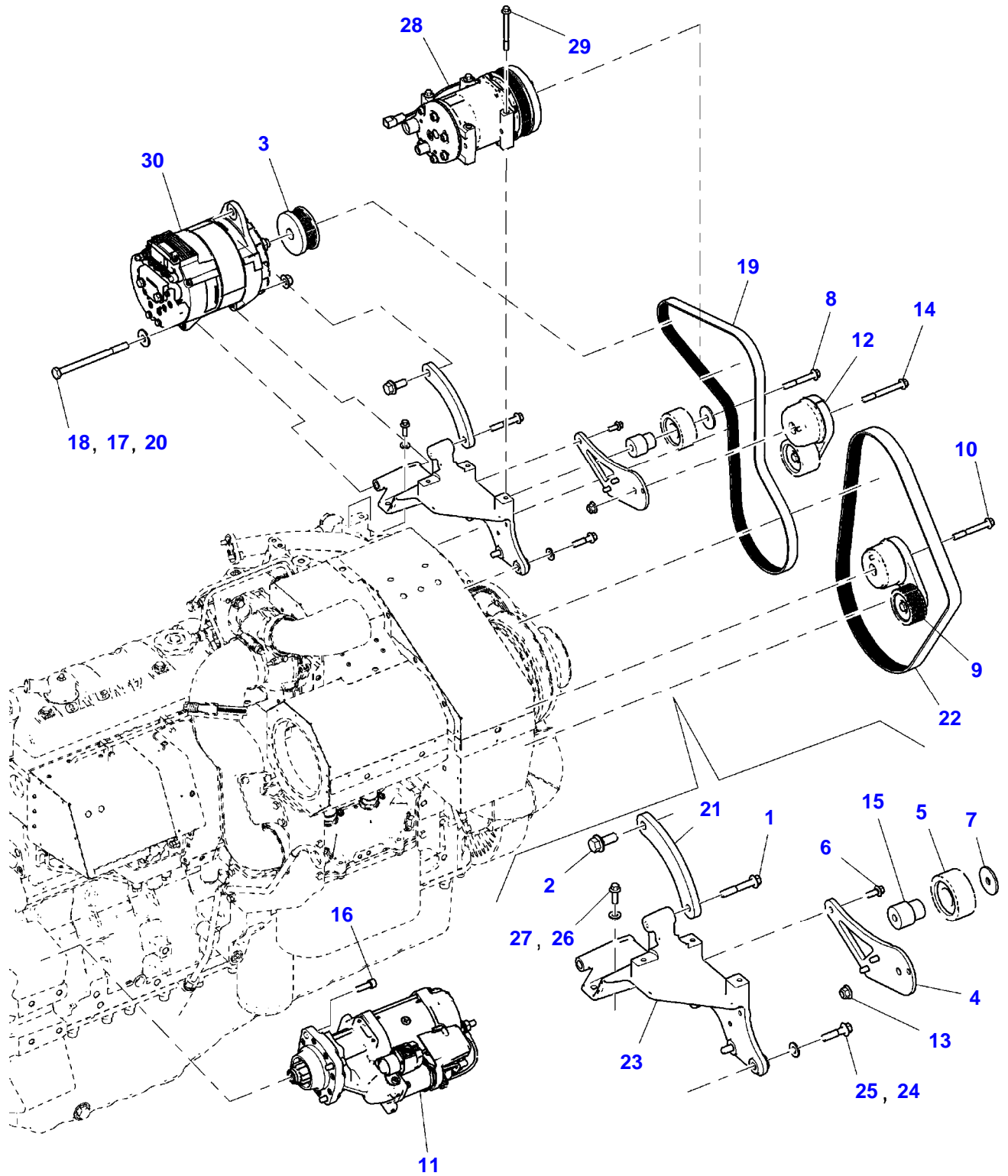
IDEAL CLASS 7 COMBINE  
20690731-H-1



20690731-H-1

Item	Part Number	Qty	Description Comments	Technical Specification
<b>T4F</b>				
1	ACW3807310	1	FRONT SUPPORT	
2	ACW3807420	1	SUPPORT	
4	ACW1040950	7	HEXAGON FLANGE BOLT	ISO4162 M12X1.75X50-10 FLZN1
	71322759	7	SPACER	.531" ID
5	ACW1628590	8	FLAT WASHER	ISO887CZ 16-200HV FLZN1
6	ACW1041070	4	HEXAGON FLANGE BOLT	ISO4162 M16X2X80-10 FLZN1
7	ACW0807420	4	SPACER	
8	ACW1027170	4	HEX FLANGE TOP LOCK NUT	ISO7044 M16X2-8 FLZN1
9	ACW1040900	1	HEXAGON FLANGE BOLT	ISO4162 M12X1.75X25-10 FLZN1
10	ACW1762570	1	OIL DRAIN VALVE	
11	ACW1930340	1	OIL DRAIN HOSE	
12	ACW1135600	4	CLAMP	?35 MM
13	ACW115446A	1	SHIELD	
14	70937684	2	J-CLIP	1-1/4" ID X .406" HOLE
15	ACW1041160	6	HEXAGON FLANGE BOLT	ISO4162 M6X1X20-8 FLZN1
16	ACW1041210	3	HEXAGON FLANGE BOLT	ISO4162 M8X1.25X20-8 FLZN1
17	ACW1023930	5	HEX FLANGE NUT	EN1661 M8X1.25-10 FLZN1
18	ACW1041130	2	HEXAGON FLANGE BOLT	ISO4162 M8X1.25X16-8 FLZN1
19	70921912	1	HOSE CLAMP	1.06"-2.0" DIA
20	NS	1	NON-SERVICEABLE PART	
21	ACW4989210	1	INSULATION	
22	ACW0695300	1	ENGINE	
23		1		
SEE PAGE 01-0003				

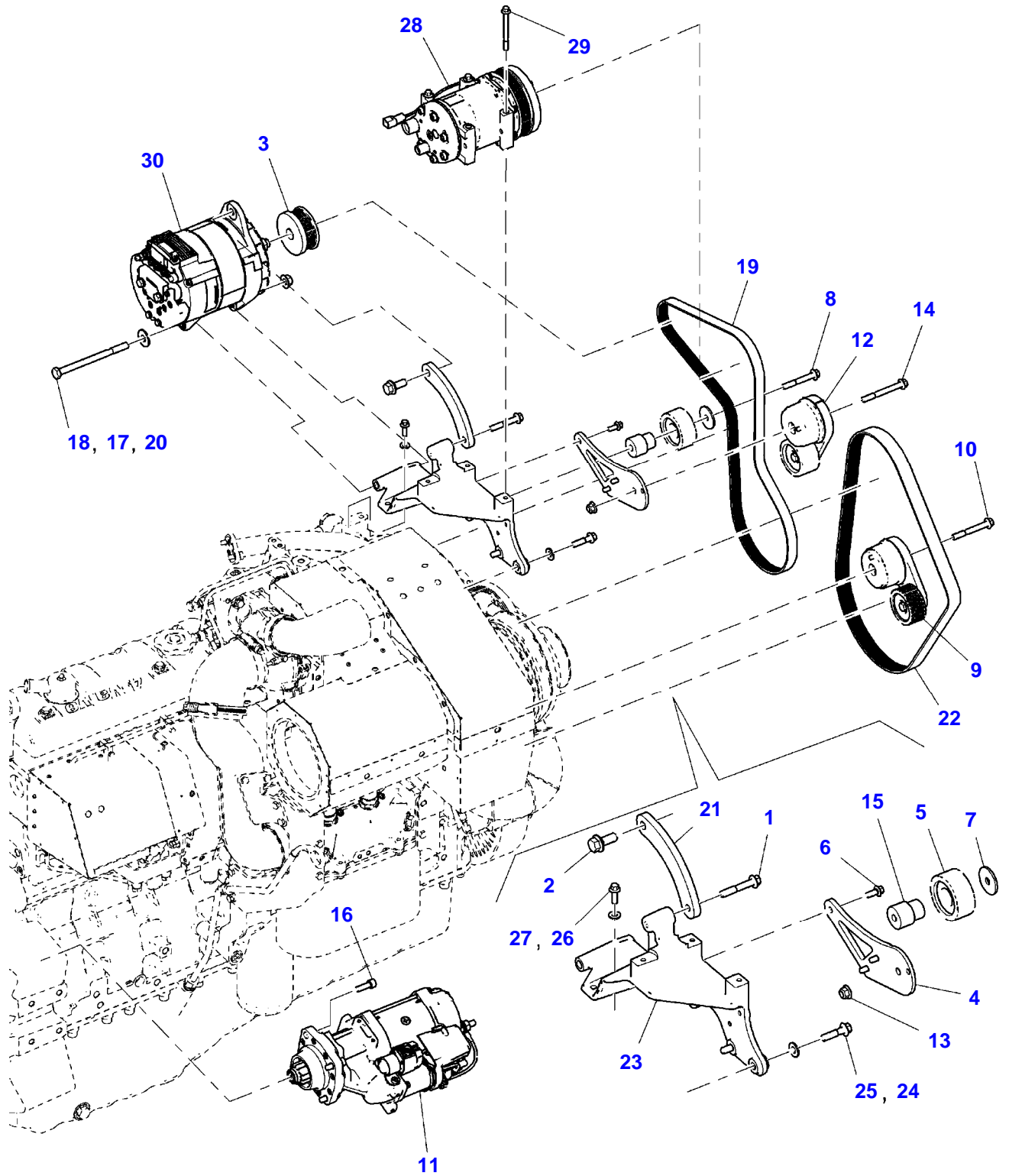
IDEAL CLASS 7 COMBINE  
20691218-H-1



Item	Part Number	Qty	Description Comments	Technical Specification
1	ACW1040840	1	HEXAGON FLANGE BOLT	M10 X 60 (1.5) ISO 10 FLZN1
2	700710984	1	HEXAGON FLANGE BOLT	1/2"-13 X 1-1/4", GR8, FT
3	ACW1760990	1	ALTERNATOR SHEAVE	
4	ACW1828100	1	IDLER PLATE	
5	ACW1856350	1	IDLER	75 X 32.5
6	ACW1041210	3	HEXAGON FLANGE BOLT	ISO4162 M8X1.25X20-8 FLZN1
7	ACW1628350	1	FLAT WASHER	ISO887CZ 10-200HV FLZN1
8	ACW1040860	1	HEXAGON FLANGE BOLT	ISO4162 M10X1.5X70-10 FLZN1
9	ACW0701140	1	BELT TENSIONER	8 RIB
10	ACW1040870	1	HEXAGON FLANGE BOLT	ISO4162 M10X1.5X80-10 FLZN1
11	ACW7581510	1	STARTER	24V, SAE 1
12	ACW1856410	1	BELT TENSIONER	
13	ACW1027150	1	HEX NUT	ISO7044 M10X1.5-8 FLZN1
14	ACW1040880	1	HEXAGON FLANGE BOLT	ISO4162 M10X1.5X90-10 FLZN1
15	ACW1856380	1	IDLER SHAFT	
16	ACW1066510	3	SOCKET HEAD SETSCREW	ISO4762 M10X1.5X30-10 FLZN1
17	ACW1628580	1	FLAT WASHER	ISO887CZ 12-200HV FLZN1
18	ACW1955890	1	HEX BOLT	DIN931 M12X1.75X160-10 FLZN1
19	ACW1752870	1	ACCESSORY DRIVE BELT	CL7
20	ACW1027160	1	HEX FLANGE TOP LOCK NUT	ISO7044 M12X1.75-8 FLZN1
21	ACW1856390	1	ALTERNATOR MOUNT	
22	ACW1752880	1	WATER PUMP BELT	CL7
23	ACW1856370	1	SUPPORT	
24	ACW1066970	2	BELLEVILLE WASHER	DIN6796 10X23X2.5 FLZN1
25	ACW1040810	2	HEXAGON FLANGE BOLT	ISO4162 M10X1.5X40-10 FLZN1
26	ACW1066960	2	BELLEVILLE WASHER	DIN6796 8X18X2 FLZN1
27	ACW1493700	2	HEXAGON FLANGE BOLT	ISO4162 M8X1.25X25-10 FLZN1
28	ACW0479310	1	COMPRESSOR	
29	ACW1041300	3	HEXAGON FLANGE BOLT	ISO4162 M8X1.25X90-8 FLZN1
30	71479178	1	ALTERNATOR	320A

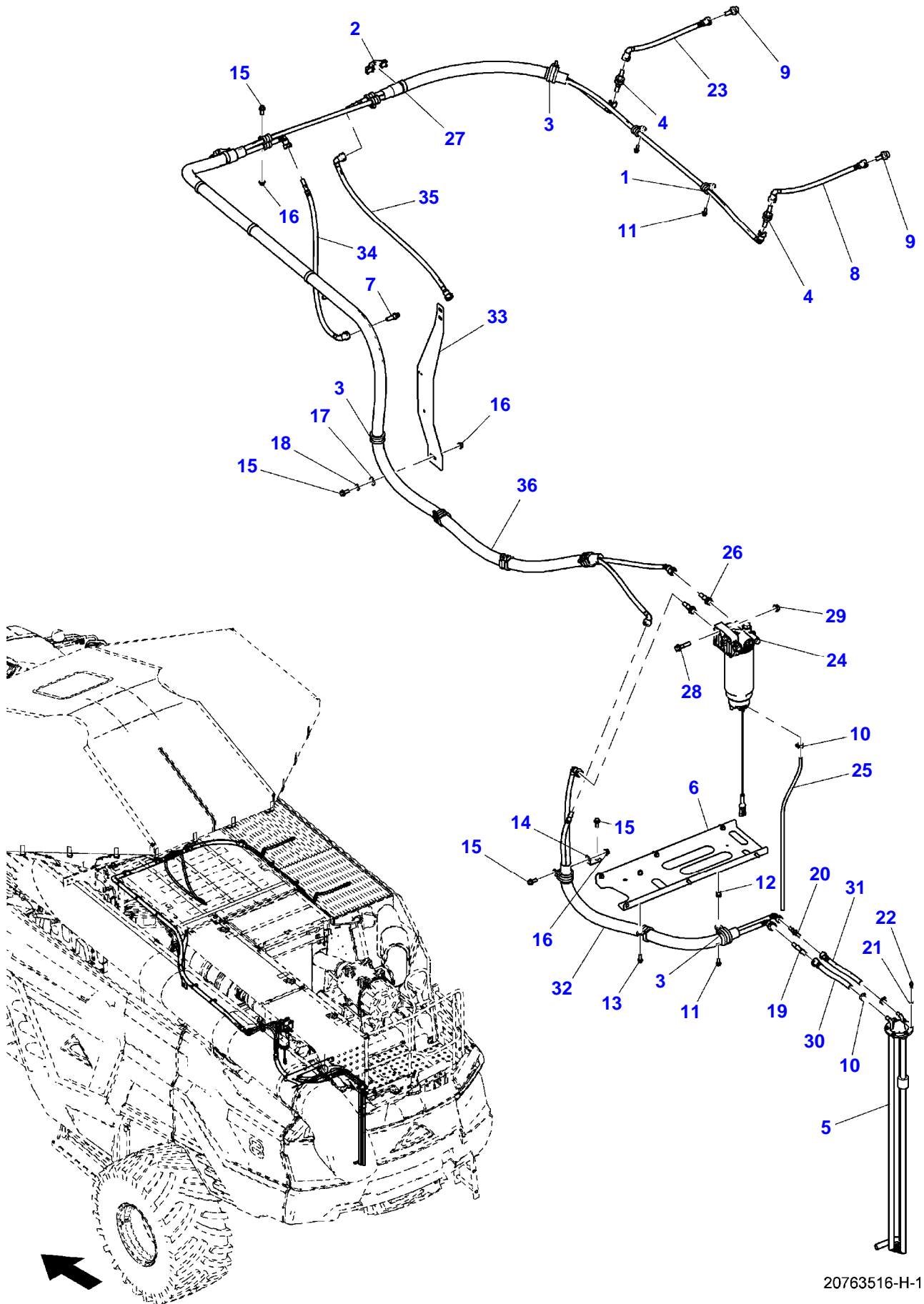


IDEAL CLASS 7 COMBINE  
20691218-H-1



Item	Part Number	Qty	Description Comments	Technical Specification
1	ACW1040840	1	HEXAGON FLANGE BOLT	M10 X 60 (1.5) ISO 10 FLZN1
2	700710984	1	HEXAGON FLANGE BOLT	1/2"-13 X 1-1/4", GR8, FT
3	ACW1760990	1	ALTERNATOR SHEAVE	
4	ACW1828100	1	IDLER PLATE	
5	ACW1856350	1	IDLER	75 X 32.5
6	ACW1041210	3	HEXAGON FLANGE BOLT	ISO4162 M8X1.25X20-8 FLZN1
7	ACW1628350	1	FLAT WASHER	ISO887CZ 10-200HV FLZN1
8	ACW1040860	1	HEXAGON FLANGE BOLT	ISO4162 M10X1.5X70-10 FLZN1
9	ACW0701140	1	BELT TENSIONER	8 RIB
10	ACW1040870	1	HEXAGON FLANGE BOLT	ISO4162 M10X1.5X80-10 FLZN1
11	ACW7581510	1	STARTER	24V, SAE 1
12	ACW1856410	1	BELT TENSIONER	
13	ACW1027150	1	HEX NUT	ISO7044 M10X1.5-8 FLZN1
14	ACW1040880	1	HEXAGON FLANGE BOLT	ISO4162 M10X1.5X90-10 FLZN1
15	ACW1856380	1	IDLER SHAFT	
16	ACW1066510	3	SOCKET HEAD SETSCREW	ISO4762 M10X1.5X30-10 FLZN1
17	ACW1628580	1	FLAT WASHER	ISO887CZ 12-200HV FLZN1
18	ACW1955890	1	HEX BOLT	DIN931 M12X1.75X160-10 FLZN1
19	ACW1752870	1	ACCESSORY DRIVE BELT	CL7
20	ACW1027160	1	HEX FLANGE TOP LOCK NUT	ISO7044 M12X1.75-8 FLZN1
21	ACW1856390	1	ALTERNATOR MOUNT	
22	ACW1752880	1	WATER PUMP BELT	CL7
23	ACW1856370	1	SUPPORT	
24	ACW1066970	2	BELLEVILLE WASHER	DIN6796 10X23X2.5 FLZN1
25	ACW1040810	2	HEXAGON FLANGE BOLT	ISO4162 M10X1.5X40-10 FLZN1
26	ACW1066960	2	BELLEVILLE WASHER	DIN6796 8X18X2 FLZN1
27	ACW1493700	2	HEXAGON FLANGE BOLT	ISO4162 M8X1.25X25-10 FLZN1
28	ACW0479310	1	COMPRESSOR	
29	ACW1041300	3	HEXAGON FLANGE BOLT	ISO4162 M8X1.25X90-8 FLZN1
30	71479178	1	ALTERNATOR	320A

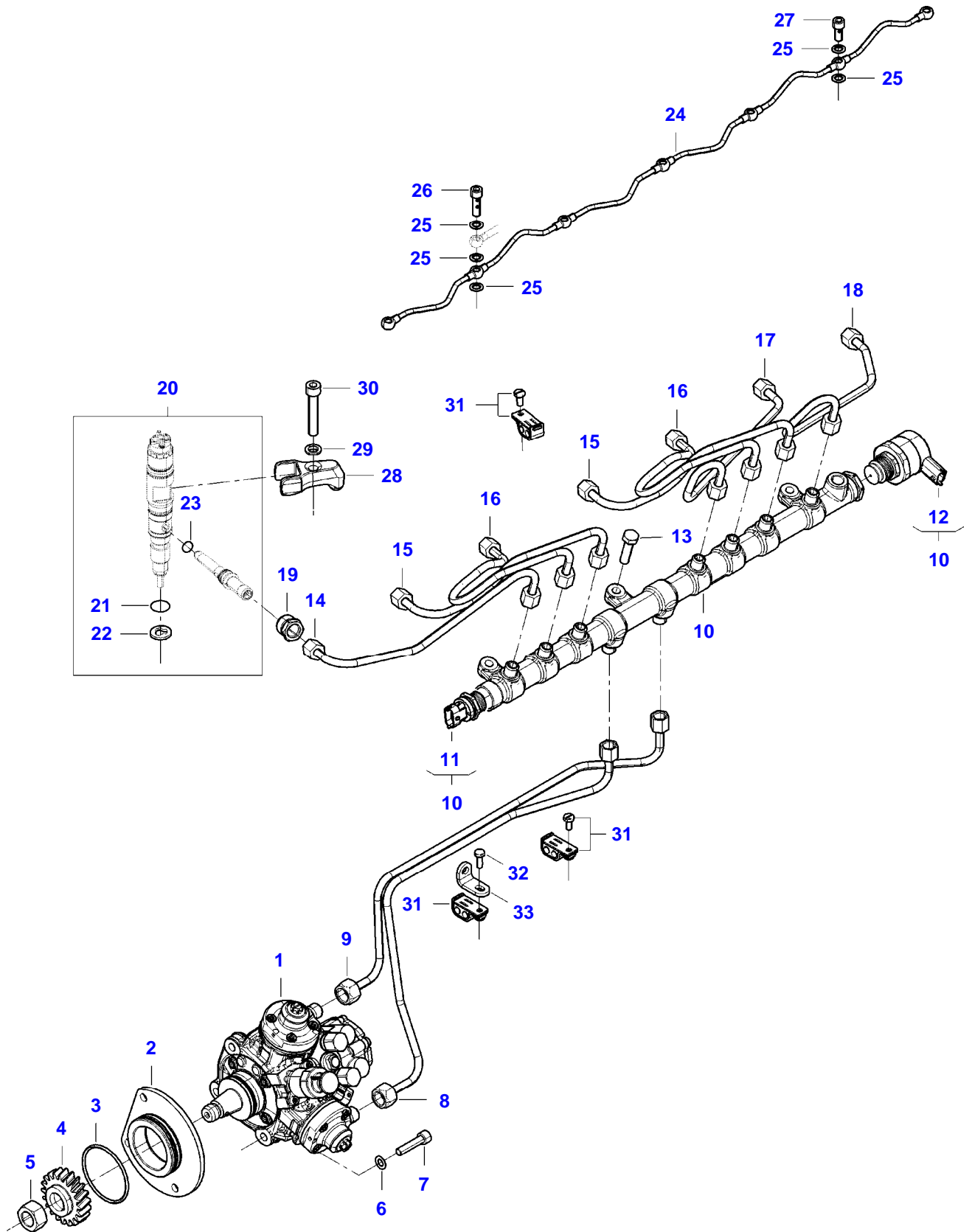
IDEAL CLASS 7 COMBINE  
20763516-H-1



20763516-H-1

Item	Part Number	Qty	Description Comments	Technical Specification
1	ACW1135490	6	CLAMPING PIPE	
2	402230X1	2	CABLE TIE MOUNT	2 T50-T250 CABLE TIES
3	ACW1135610	8	PIPE CLAMP	
4	ACW2862860	2	BULKHEAD FITTING	
5	ACW2161930	1	FUEL PRESSURE SENSOR	
6	ACW1959850	1	LINE SUPPORT	
7	ACW1960910	1	FITTING	
8	ACW1960220	1	RETURN TUBE	
9	ACX0033440	2	ADAPTER	1/2" X 7/8"
10	AG561227	3	HOSE CLAMP	0.44"-0.78",SAE 6,SS
11	ACW1041210	11	HEXAGON FLANGE BOLT	ISO4162 M8X1.25X20-8 FLZN1
12	ACW1061380	2	BLIND RIVET NUT	HRIV M10 F 0.5-3.0 ST OP ZNCR3
13	ACW1493700	1	HEXAGON FLANGE BOLT	ISO4162 M8X1.25X25-10 FLZN1
14	ACW2073880	1	BRACKET	
15	ACW1040780	5	HEXAGON FLANGE BOLT	ISO4162 M10X1.5X25-10 FLZN1
16	ACW1023940	4	HEX FLANGE NUT	ISO4161 M10X1.5-10 FLZN1
17	ACW1628570	1	FLAT WASHER	ISO887CL 10-200HV FLZN1
18	ACW1066970	1	BELLEVILLE WASHER	DIN6796 10X23X2.5 FLZN1
19	NS	1	NON-SERVICEABLE PART	
20	ACW4980500	1	CONNECTOR	
21	ACW1066950	6	BELLEVILLE WASHER	DIN2093-A 6X12.5X0.7 FLZN1
22	ACW1041150	6	HEXAGON FLANGE BOLT	ISO4162 M6X1X16-8 FLZN1
23	ACW1960210	1	TUBE	
24	ACW1960230	1	FUEL PUMP	
25	71470245	1	HOSE	5/16"ID X 675MM
26	ACW1959840	2	FITTING	1/2"
27	402295X1	5	CABLE TIE	L = 390 MM
28	ACW1040950	2	HEXAGON FLANGE BOLT	ISO4162 M12X1.75X50-10 FLZN1
29	ACW1023950	2	HEX FLANGE NUT	EN1661 M12X1.75-10 FLZN1
30	NS	1	NON-SERVICEABLE PART	
31	NS	1	NON-SERVICEABLE PART	
32	ACW1960990	1	FUEL LINE	
33	NS	1	NON-SERVICEABLE PART	
34	ACW1960950	1	TUBE ASSY	
35	ACW1960940	1	TUBE ASSY	
36	NS	1	NON-SERVICEABLE PART	

IDEAL CLASS 7 COMBINE  
APG18G2539

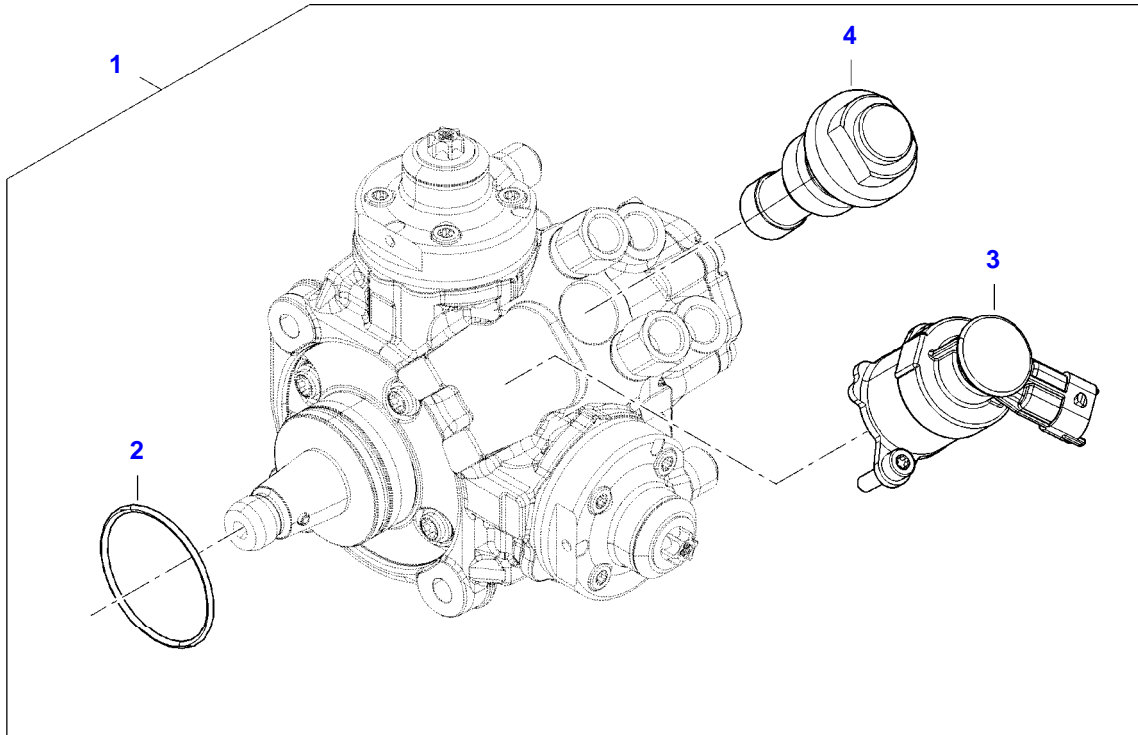


Item	Part Number	Qty	Description Comments	Technical Specification
1	V837074805	1	HIGH PRESSURE INJECTION PUMP SEE PAGE 01-0006	CP4-20/2
2	V837073688	1	FLANGE	
3	V614606230	1	O-RING [B]	
4	V837073563	1	GEAR,INJ.PUMP	
5	V504611802	1	NUT	
6	V500150842	3	WASHER	
7	V581804640	3	HEX SOCKET SCREW	
8	V837074684	1	FUEL PIPE	
9	V837074685	1	FUEL PIPE	
10	V837074653	1	RAIL PIPE INCLUDES ITEMS 11-12	
11	V837079833	1	FUEL PRESSURE SENSOR	
12	V837079834	1	FUEL PRESSURE VALVE	
13	V528801410	3	HEX CAP SCREW	
14	V837074679	1	INJECTION PIPE	
15	V837074680	2	INJECTION PIPE	
16	V837074681	2	INJECTION PIPE	
17	V837074682	1	INJECTION PIPE	
18	V837074683	1	INJECTION PIPE	
19	V837069268	1	NUT	
20	V837079827	7	INJECTOR INCLUDES ITEMS 21-23	
21	V837079978	1	O-RING [A][B]	
22	V837091049	1	SEALING RING [A][B]	
23	V837091050	1	O-RING [A][B]	
24	V837073506	1	INJECTOR OVERFLOW PIPE	
25	V836684767	15	SEALING WASHER [A][B]	
26	V837073118	1	DUAL BANJO BOLT	
27	V837073117	6	BANJO BOLT	
28	V837069007	7	FASTENER	
29	V837070121	7	WASHER	
30	V581704660	7	HEX SOCKET SCREW	
31	V837073721	5	RETAINER CLAMP	
32	V528801062	1	HEX CAP SCREW	
33	V837086065	1	SUPPORT	

**[A] INCLUDED IN CYLINDER HEAD GASKET KIT 1**

**[B] INCLUDED IN COMPLETE ENGINE GASKET KIT 2**

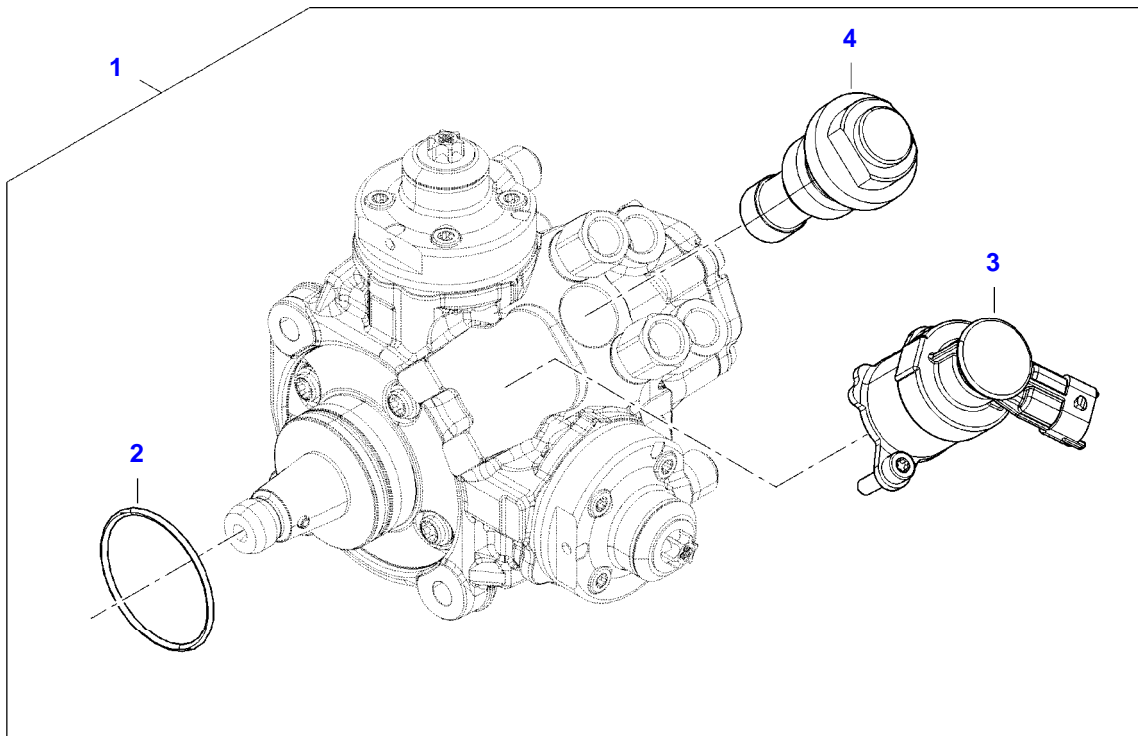
IDEAL CLASS 7 COMBINE  
APG18G2540



Item	Part Number	Qty	Description Comments	Technical Specification
1	V837074805	1	HIGH PRESSURE INJECTION PUMP INCLUDES ITEMS 2-4	CP4-20/2
2	V837079431	1	O-RING [B]	
3	V837079633	1	VALVE	
4	V837091124	1	VALVE [B] INCLUDED IN COMPLETE ENGINE GASKET KIT 2	CP4

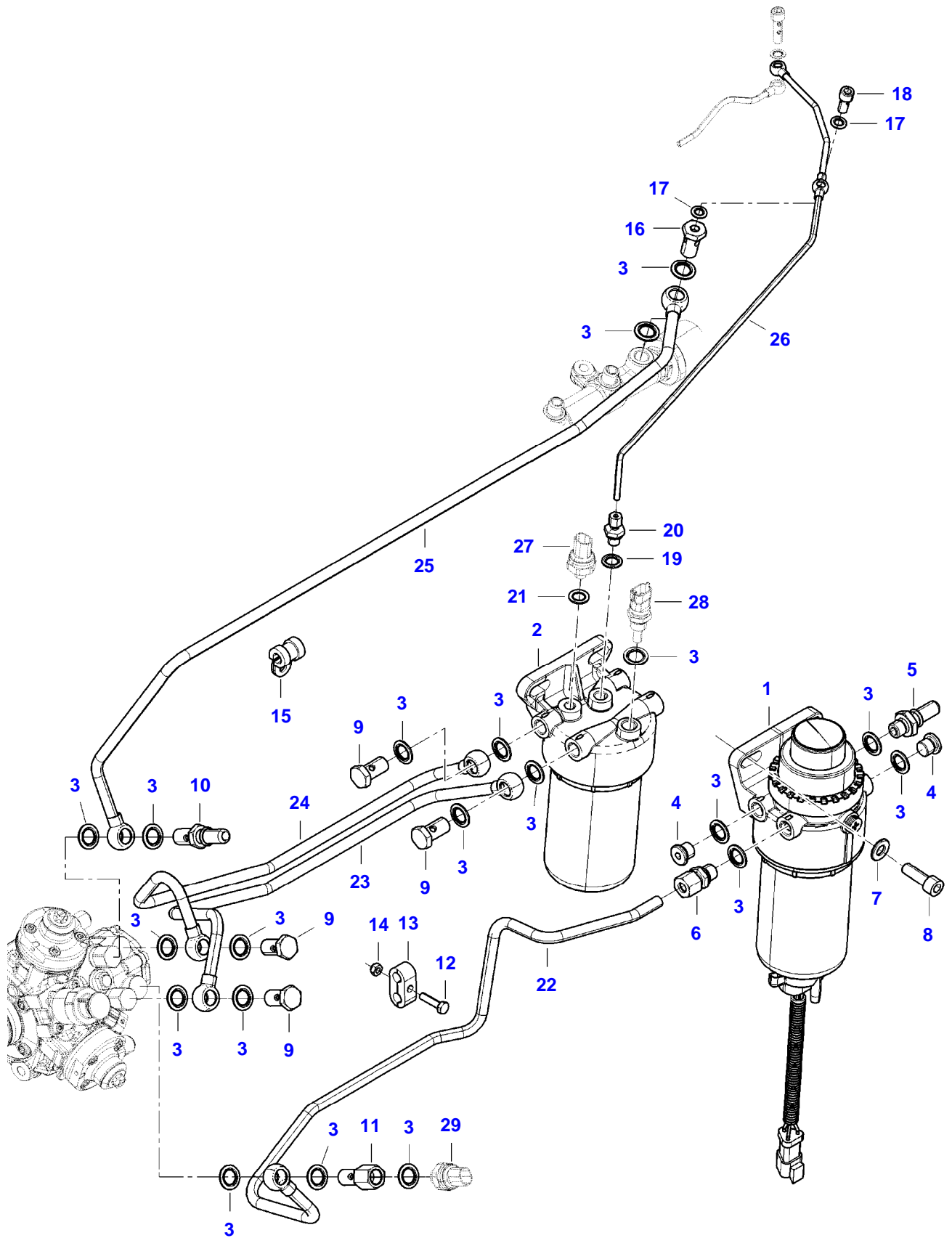


IDEAL CLASS 7 COMBINE  
APG18G2540



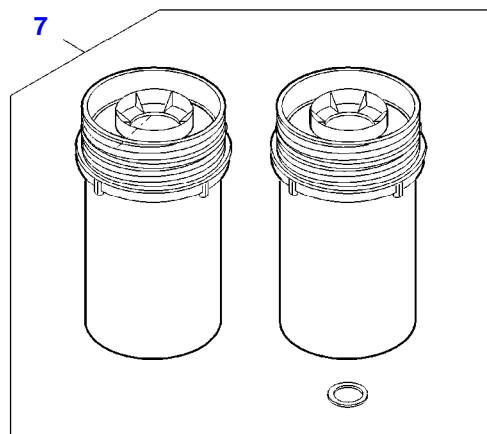
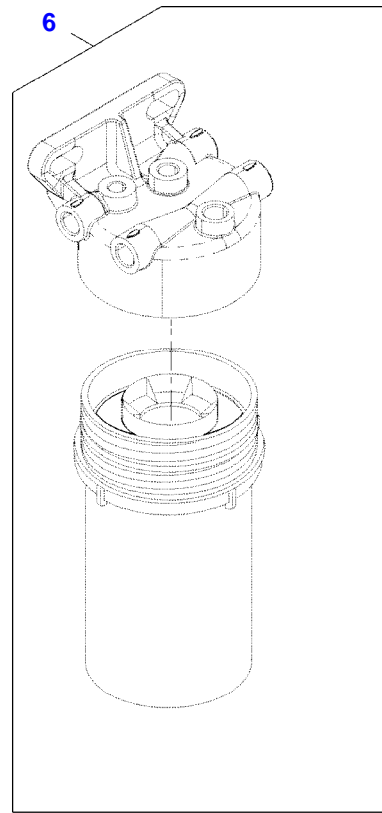
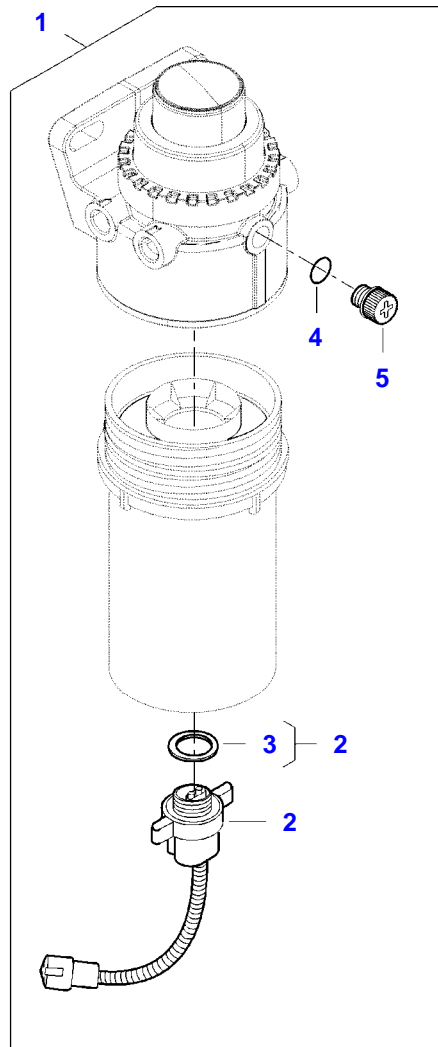
Item	Part Number	Qty	Description Comments	Technical Specification
1	V837074805	1	HIGH PRESSURE INJECTION PUMP INCLUDES ITEMS 2-4	CP4-20/2
2	V837079431	1	O-RING [B]	
3	V837079633	1	VALVE	
4	V837091124	1	VALVE [B] INCLUDED IN COMPLETE ENGINE GASKET KIT 2	CP4

IDEAL CLASS 7 COMBINE  
APG19G2541



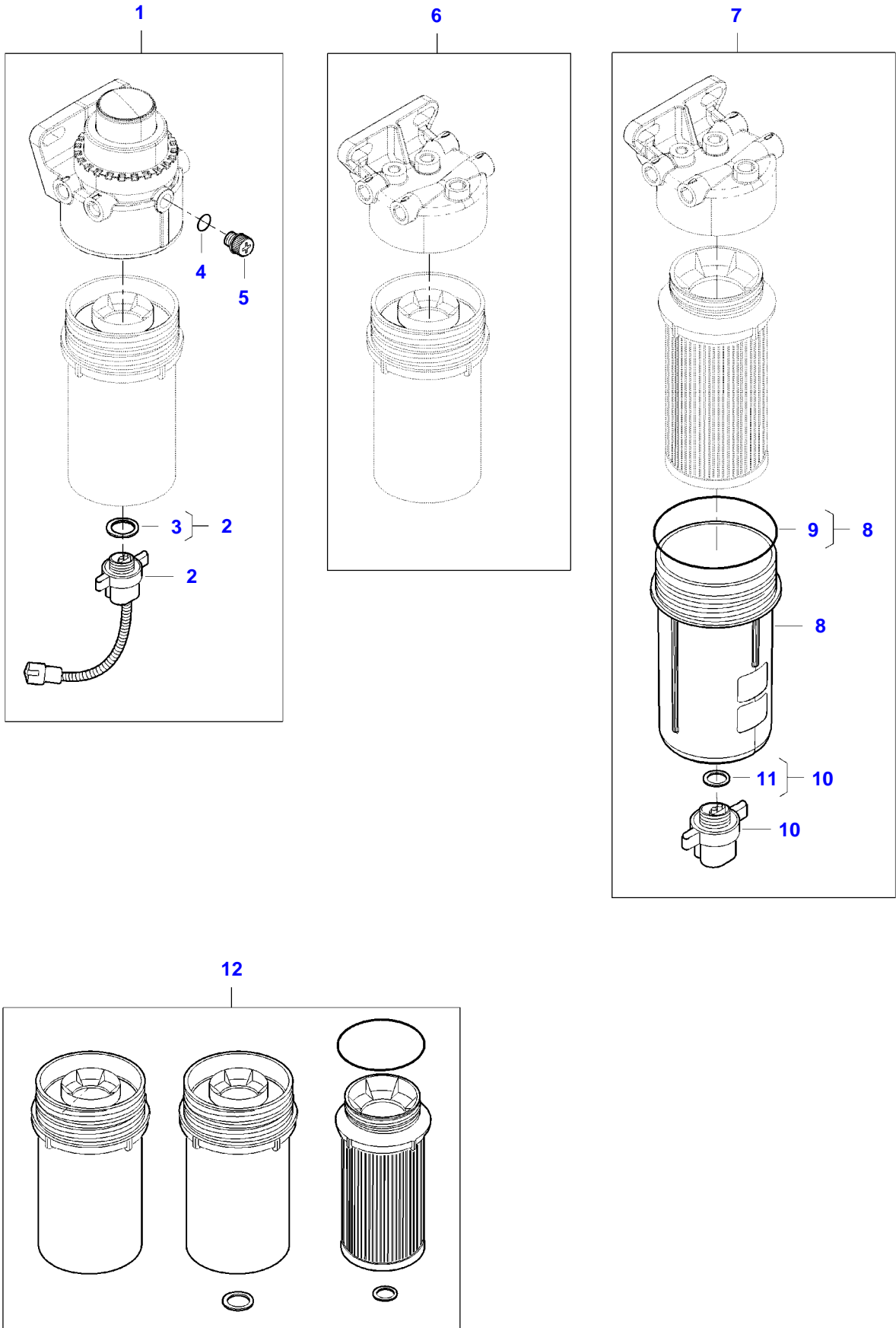
Item	Part Number	Qty	Description Comments
1	V837086172	1	FUEL PREFILTER ENGINE TYPE AWF SEE PAGE 01-0008
	V837086172	1	FUEL PREFILTER ENGINE TYPE AXW3 SEE PAGE 01-0009
2	V837086099	1	MAIN FUEL FILTER ENGINE TYPE AWF SEE PAGE 01-0008
	V837086099	1	MAIN FUEL FILTER ENGINE TYPE AXW3 SEE PAGE 01-0009
3	V836684770	20	SEALING WASHER [A][B]
4	V640325014	2	PLUG
5	V837086171	1	QUICK COUPLER
6	V641086010	1	STRAIGHT FITTING
7	V500151050	4	WASHER
8	V581705030	4	HEX SOCKET SCREW
9	V640435010	4	BANJO BOLT
10	V837074191	1	QUICK COUPLER
11	V837084064	1	BANJO BOLT
12	V528801102	2	HEX CAP SCREW
13	V602098110	2	RETAINER CLAMP
14	V510600602	2	NUT
15	V602060610	2	RETAINER CLAMP
16	V836007420	1	BANJO BOLT
17	V836684767	2	SEALING WASHER [A][B]
18	V837073117	1	BANJO BOLT
19	V836684769	1	SEALING WASHER [A][B]
20	V837074146	1	STRAIGHT FITTING
21	V615871016	1	SEALING WASHER [A][B]
22	V837073933	1	FUEL PIPE
23	V837073938	1	FUEL PIPE
24	V837073936	1	FUEL PIPE
25	V837074023	1	FUEL PIPE
26	V837074026	1	FUEL PIPE
27		1	SEE PAGE 02-0028
28		1	SEE PAGE 02-0028
29		1	SEE PAGE 02-0028 [A] INCLUDED IN CYLINDER HEAD GASKET KIT 1 [B] INCLUDED IN COMPLETE ENGINE GASKET KIT 2

IDEAL CLASS 7 COMBINE  
APG19G2542



<b>Item</b>	<b>Part Number</b>	<b>Qty</b>	<b>Description</b> <b>Comments</b>
1	V837086172	1	FUEL PREFILTER INCLUDES ITEMS 2-5
2	V837074054	1	FUEL FILTER WATER ALARM INCLUDES ITEMS 3
3	V837091271	1	SEAL
4	V837079628	1	O-RING
5	V837079627	1	BLEED SCREW
6	V837086099	1	MAIN FUEL FILTER
7	V837091129	1	FUEL FILTER KIT

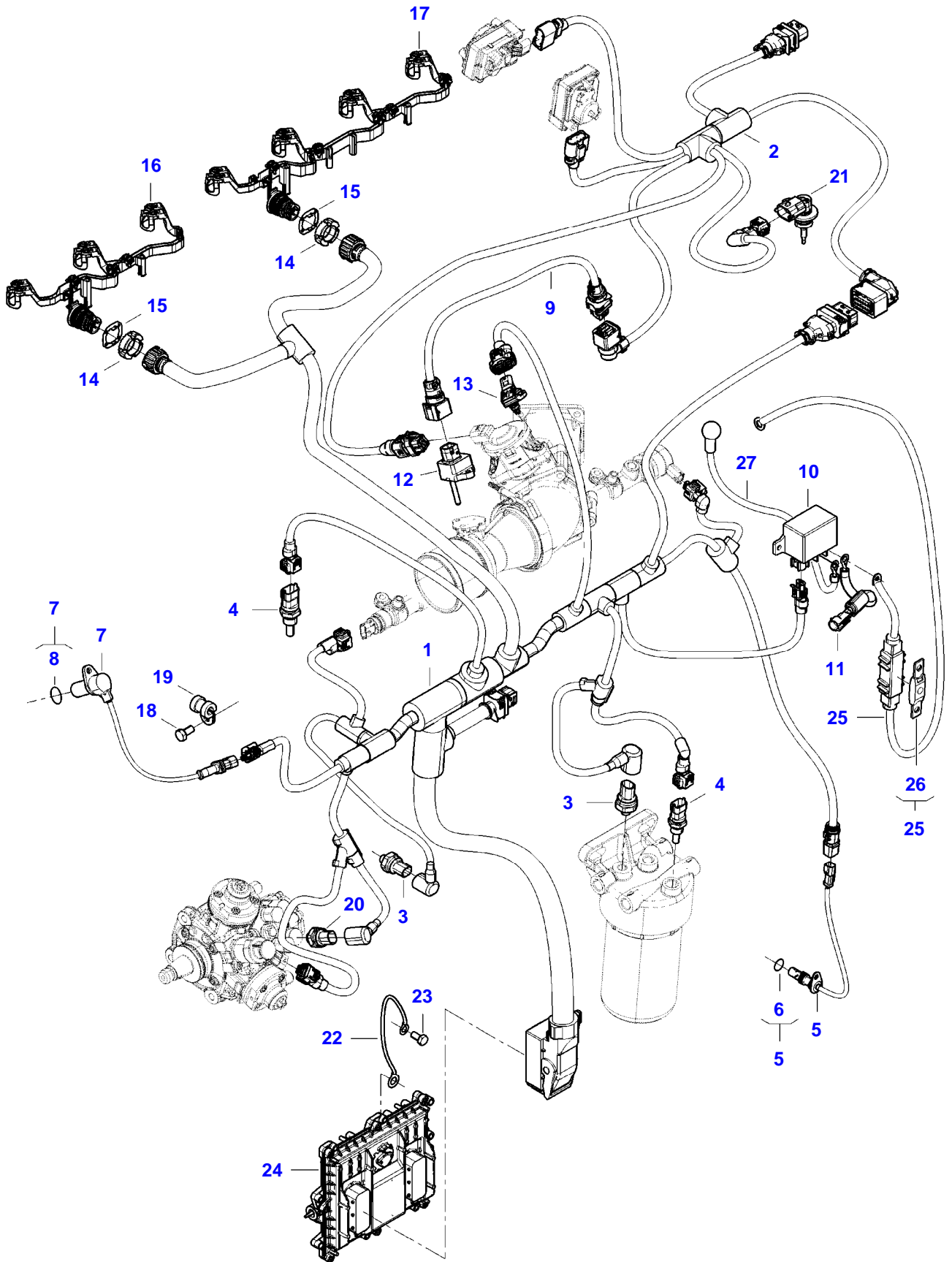
IDEAL CLASS 7 COMBINE  
APG19G2549



Item	Part Number	Qty	Description Comments
1	V837086172	1	FUEL PREFILTER INCLUDES ITEMS 2-5
2	V837074054	1	FUEL FILTER WATER ALARM INCLUDES ITEMS 3
3	V837091271	1	SEAL
4	V837079628	1	O-RING
5	V837079627	1	BLEED SCREW
6	V837086099	1	MAIN FUEL FILTER
7	V837086122	1	FUEL PREFILTER INCLUDES ITEMS 8-11
8	V837086380	1	SEDIMENT BOWL INCLUDES ITEMS 9
9	V837086379	1	O-RING
10	V837079761	1	DRAIN VALVE INCLUDES ITEMS 11
11	V837091271	1	SEAL
12	V837091385	1	FUEL FILTER KIT

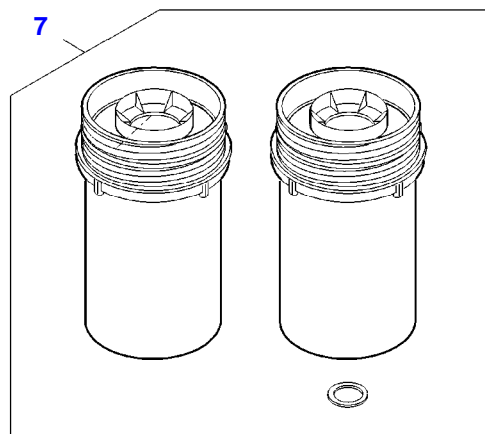
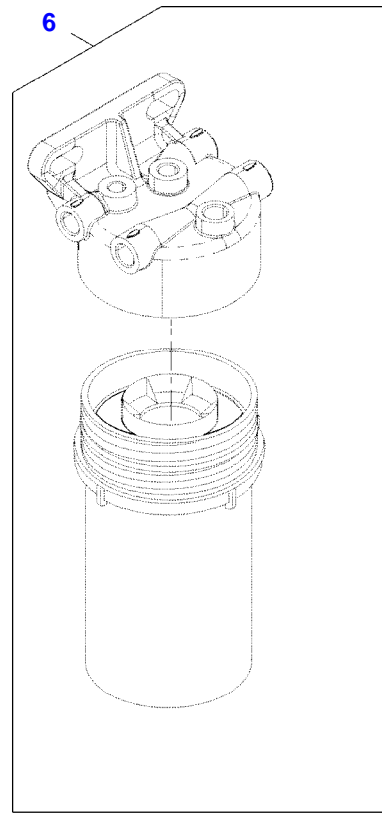
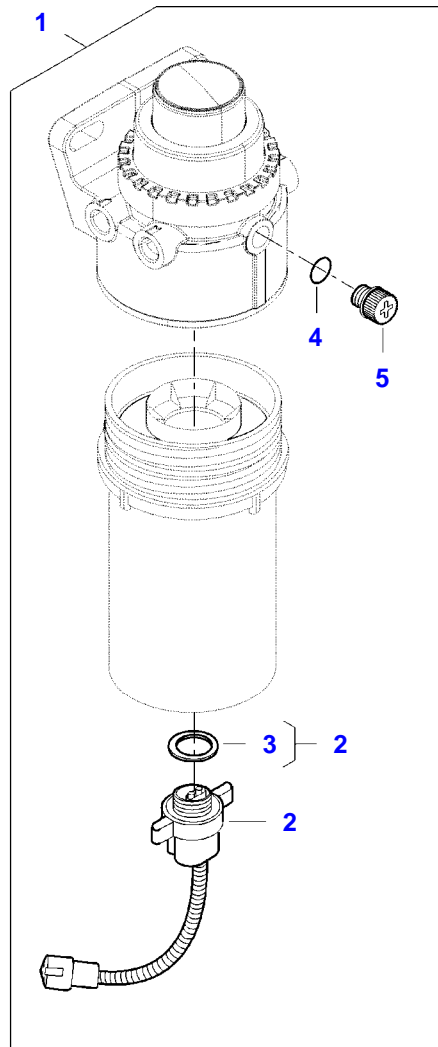


IDEAL CLASS 7 COMBINE  
APG20G2543



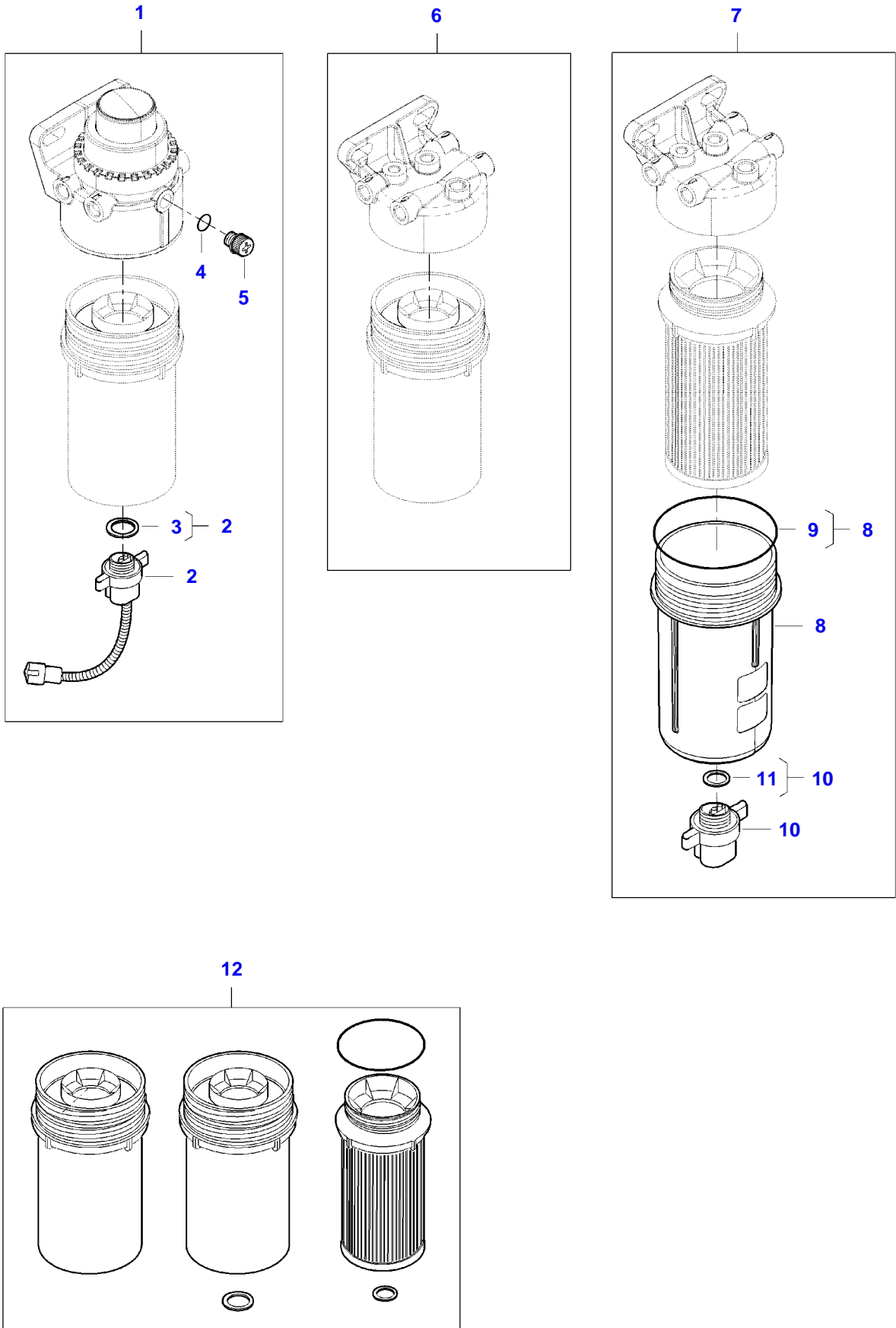
Item	Part Number	Qty	Description Comments
1	ACW2275730	1	ENGINE WIRE HARNESS
2	ACW2342280	1	ENGINE WIRE HARNESS
3	V837070201	2	PRESSURE SENSOR
4	V836667732	2	TEMPERATURE SENSOR
5	ACW0830170	1	CRANKSHAFT SPEED SENSOR INCLUDES ITEMS 6
6	V837091429	2	O-RING
7	V837070189	1	SPEED SENSOR INCLUDES ITEMS 8
8	V614601718	1	O-RING
9	V837084708	1	WIRE
10	V837069047	1	SOLENOID
11	V837073594	1	WIRE
12	V837074737	1	MASS AIR FLOW SENSOR (MAF)
13	V837084326	1	BOOST PRESSURE SENSOR
14	V837073921	2	LOCKING RING
15	V837073922	2	LOCKING PLATE
16	V837084141	1	ENGINE WIRE HARNESS
17	V837074692	1	ENGINE WIRE HARNESS
18	V528801362	2	HEX CAP SCREW
19	V602060610	1	RETAINER CLAMP
20	V837070209	1	PRESSURE SENSOR
21	V837074507	1	TEMPERATURE SENSOR
22	V837070292	1	GROUND WIRE
23	V528801342	1	HEX CAP SCREW
24	V837074863	1	ENGINE CONTROL UNIT
25	V837070054	1	WIRE INCLUDES ITEMS 26
26	V836864541	1	FUSE 250A
27	V837084201	1	WIRE

IDEAL CLASS 7 COMBINE  
APG19G2542



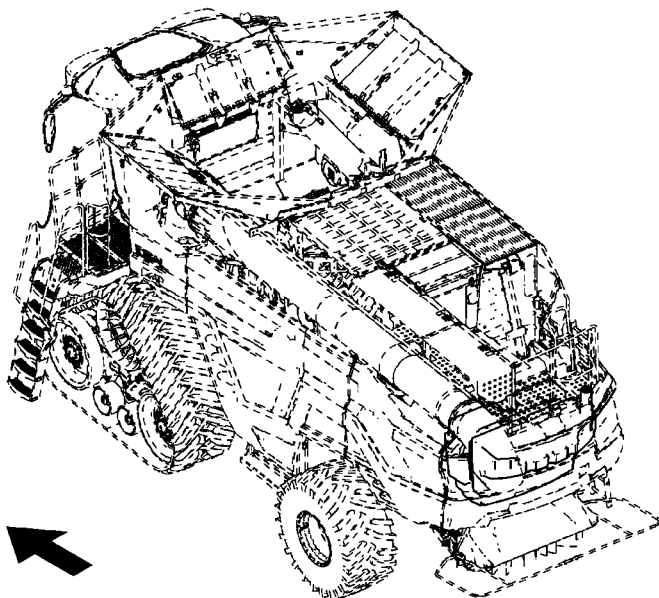
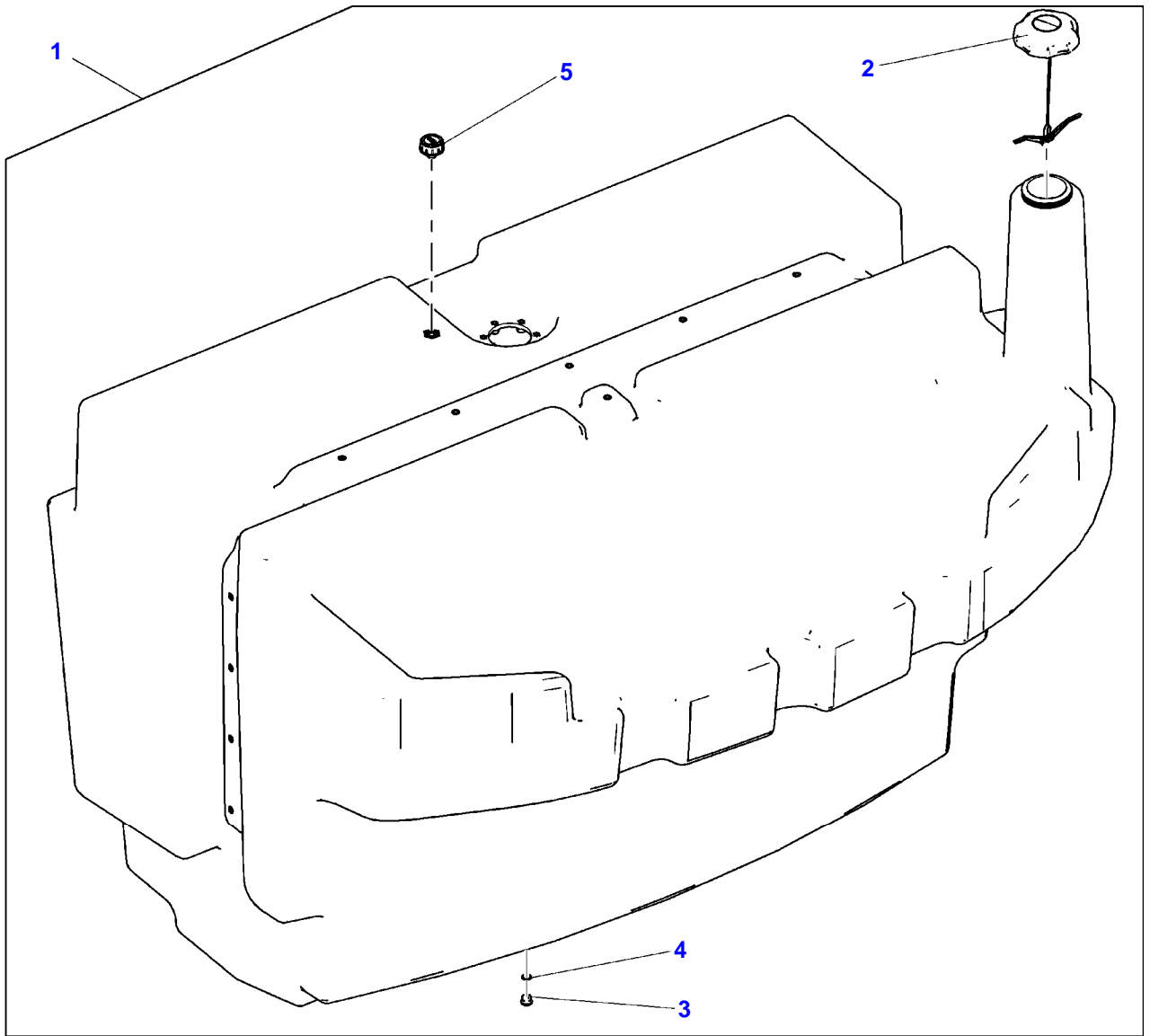
<b>Item</b>	<b>Part Number</b>	<b>Qty</b>	<b>Description</b> <b>Comments</b>
1	V837086172	1	FUEL PREFILTER INCLUDES ITEMS 2-5
2	V837074054	1	FUEL FILTER WATER ALARM INCLUDES ITEMS 3
3	V837091271	1	SEAL
4	V837079628	1	O-RING
5	V837079627	1	BLEED SCREW
6	V837086099	1	MAIN FUEL FILTER
7	V837091129	1	FUEL FILTER KIT

IDEAL CLASS 7 COMBINE  
APG19G2549



Item	Part Number	Qty	Description Comments
1	V837086172	1	FUEL PREFILTER INCLUDES ITEMS 2-5
2	V837074054	1	FUEL FILTER WATER ALARM INCLUDES ITEMS 3
3	V837091271	1	SEAL
4	V837079628	1	O-RING
5	V837079627	1	BLEED SCREW
6	V837086099	1	MAIN FUEL FILTER
7	V837086122	1	FUEL PREFILTER INCLUDES ITEMS 8-11
8	V837086380	1	SEDIMENT BOWL INCLUDES ITEMS 9
9	V837086379	1	O-RING
10	V837079761	1	DRAIN VALVE INCLUDES ITEMS 11
11	V837091271	1	SEAL
12	V837091385	1	FUEL FILTER KIT

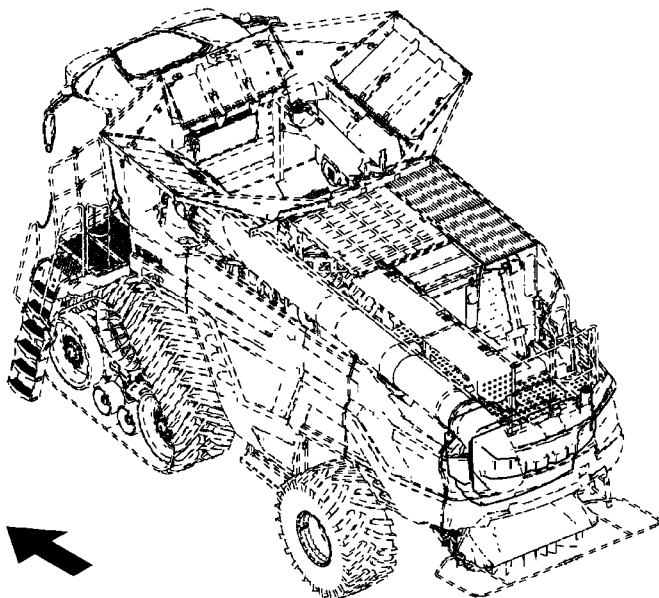
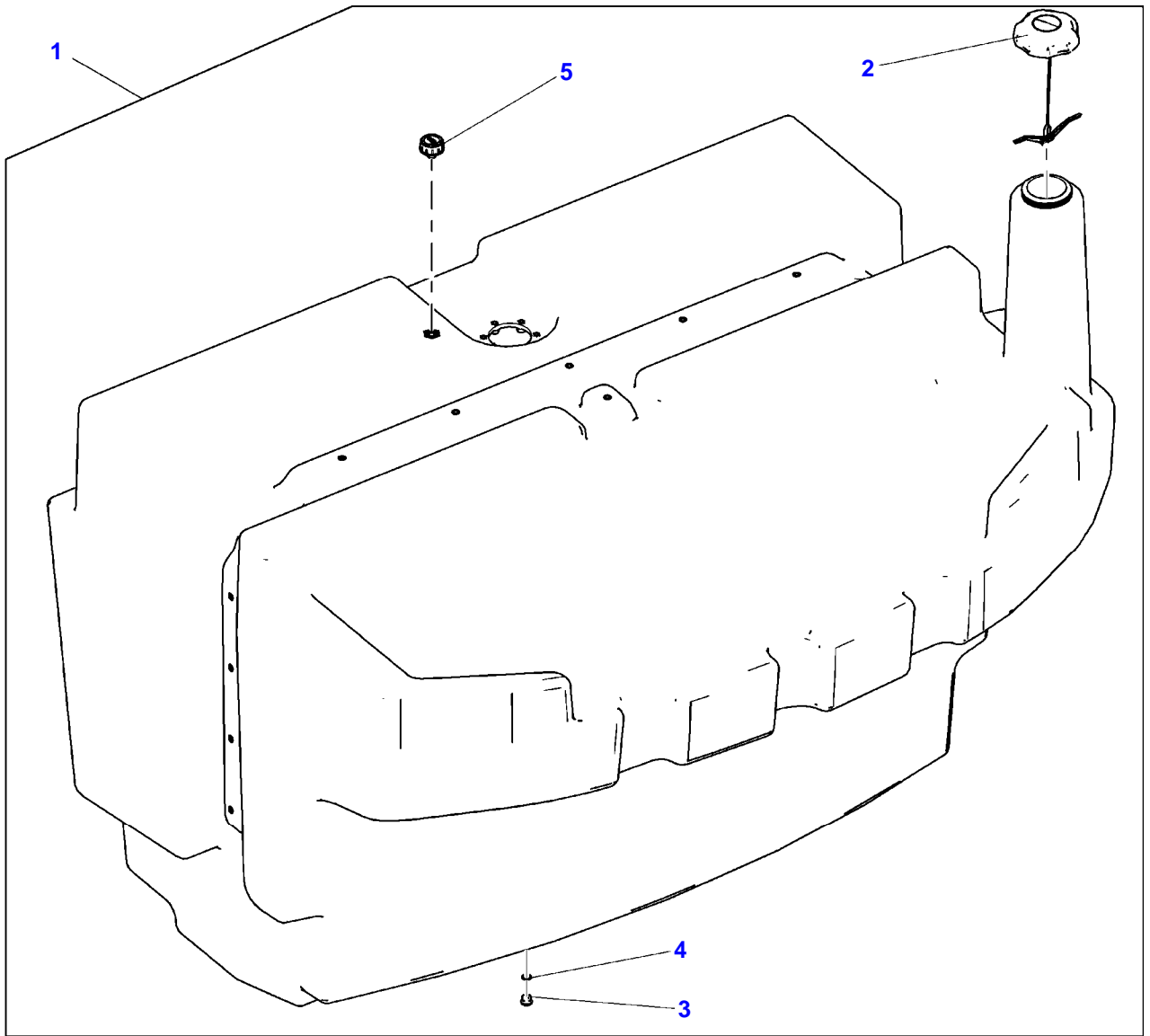
IDEAL CLASS 7 COMBINE  
20106190-H-1



Item	Part Number	Qty	Description Comments	Technical Specification
			1000L 264 GALLONS	
1	ACW186090B	1	FUEL TANK	1000L
2	ACW1868120	1	FUEL CAP	
3	71444855	1	PLUG	M14 X 1.5
4	71443167	1	O-RING	11.3MM ID X 2.4MM
5	ACW1305460	1	BREATHER	

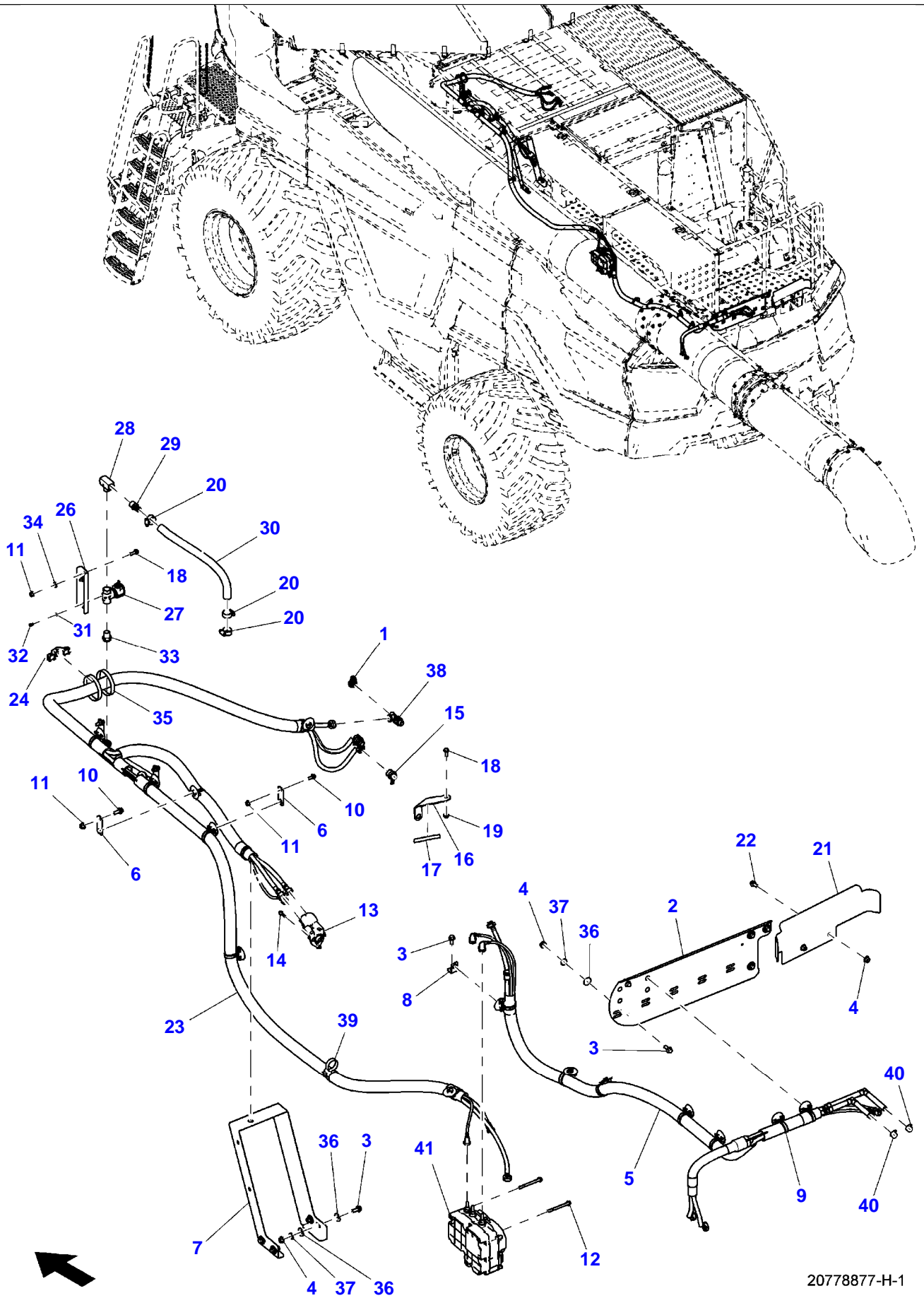


IDEAL CLASS 7 COMBINE  
20106191-H-1



Item	Part Number	Qty	Description Comments	Technical Specification
			1250L 330 GALLONS	
1	ACW186832B	1	FUEL TANK	1250L
2	ACW1868120	1	FUEL CAP	
3	71444855	1	PLUG	M14 X 1.5
4	71443167	1	O-RING	11.3MM ID X 2.4MM
5	ACW1305460	1	BREATHER	

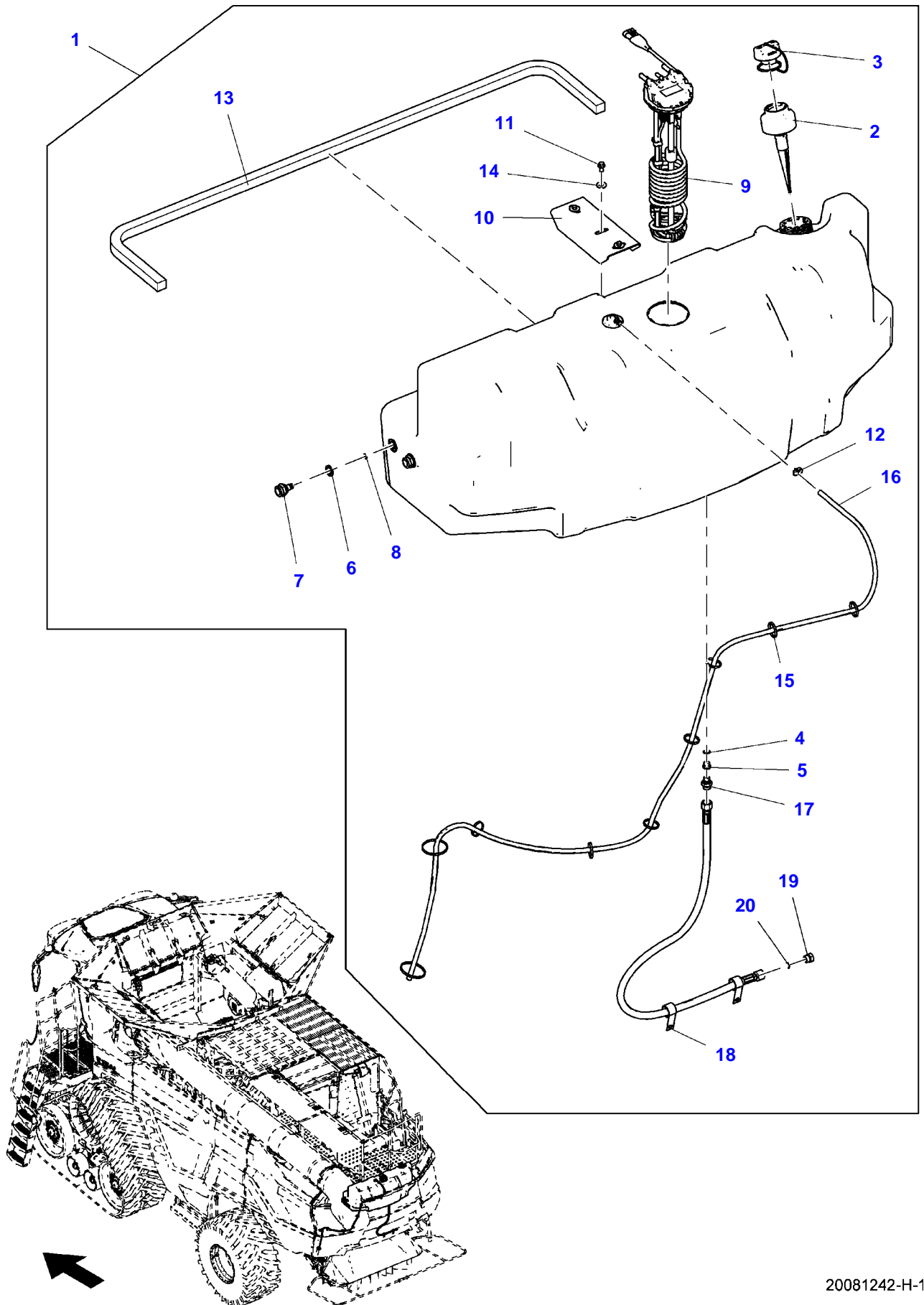
IDEAL CLASS 7 COMBINE  
20778877-H-1



20778877-H-1

Item	Part Number	Qty	Description Comments	Technical Specification
1	ACW4639530	1	PLUG	
2	ACW3789670	1	HOSE SUPPORT	
3	ACW1040780	9	HEXAGON FLANGE BOLT	ISO4162 M10X1.5X25-10 FLZN1
4	ACW1023940	11	HEX FLANGE NUT	ISO4161 M10X1.5-10 FLZN1
5	ACW4190890	1	LINE	
6	ACW4662930	4	PLATE	
7	ACW4665030	1	SUPPORT	
8	ACW3798010	1	ANGLE	
9	ACW4665110	15	CABLE TIE	
10	ACW1041210	5	HEXAGON FLANGE BOLT	ISO4162 M8X1.25X20-8 FLZN1
11	ACW1023930	6	HEX FLANGE NUT	EN1661 M8X1.25-10 FLZN1
12	ACW1041300	3	HEXAGON FLANGE BOLT	ISO4162 M8X1.25X90-8 FLZN1
13	V837074663	1	DOSING MODULE	
14	ACW1041180	3	HEXAGON FLANGE BOLT	ISO4162 M6X1X30-8 FLZN1
15	71441714	2	ADAPTER FITTING	M18
16	ACW4665060	1	SUPPORT STAND	
17	71470240	1	TRIM SEAL	3.543"
18	ACW1493700	3	HEXAGON FLANGE BOLT	ISO4162 M8X1.25X25-10 FLZN1
19	ACW1027140	1	HEX FLANGE NUT	ISO7044 M8X1.25-8 FLZN1
20	AG561229	3	HOSE CLAMP	13/16"-1-3/4" , SAE 20 ,SS
21	ACW2086710	1	SPLASH SHIELD	
22	ACW1040770	2	HEXAGON FLANGE BOLT	ISO4162 M10X1.5X20-10 FLZN1
23	ACW4202260	1	LINE	
24	402230X1	1	CABLE TIE MOUNT	2 T50-T250 CABLE TIES
26	ACW2007020	1	SUPPORT	
27	700735660	1	COOLANT VALVE	
28	700735657	1	TEE FITTING	1/2" NPT
29	700735658	1	HOSE BARB	1/2" NPT X 5/8" BARB
30	ACW1922640	1	HEATER HOSE	
31	ACW1064090	2	FLAT WASHER	ISO887CN 5-200HV ELZN3
32	ACW1494290	2	SOCKET HEAD SETSCREW	ISO4762 M5X0.8X10-10 FLZN1
33	71441713	1	ADAPTER FITTING	1/2" NPT X NS12 NPTF
34	ACW1066960	2	BELLEVILLE WASHER	DIN6796 8X18X2 FLZN1
35	402295X1	2	CABLE TIE	L = 390 MM
36	ACW1628570	13	FLAT WASHER	ISO887CL 10-200HV FLZN1
37	ACW1066970	9	BELLEVILLE WASHER	DIN6796 10X23X2.5 FLZN1
38	ACW4639510	1	TEE	
39	700734126	1	DUAL CLAMP TIE	L = 489 MM
40	AG561227	2	HOSE CLAMP	0.44"-0.78",SAE 6,SS
41	V837084092	1	SUPPLY MODULE	

IDEAL CLASS 7 COMBINE  
20081242-H-1



Thank you so much for reading.  
Please click the “Buy Now!”  
button below to download the  
complete manual.



After you pay.

You can download the most  
perfect and complete manual in  
the world immediately.

Our support email:

[ebooklibonline@outlook.com](mailto:ebooklibonline@outlook.com)