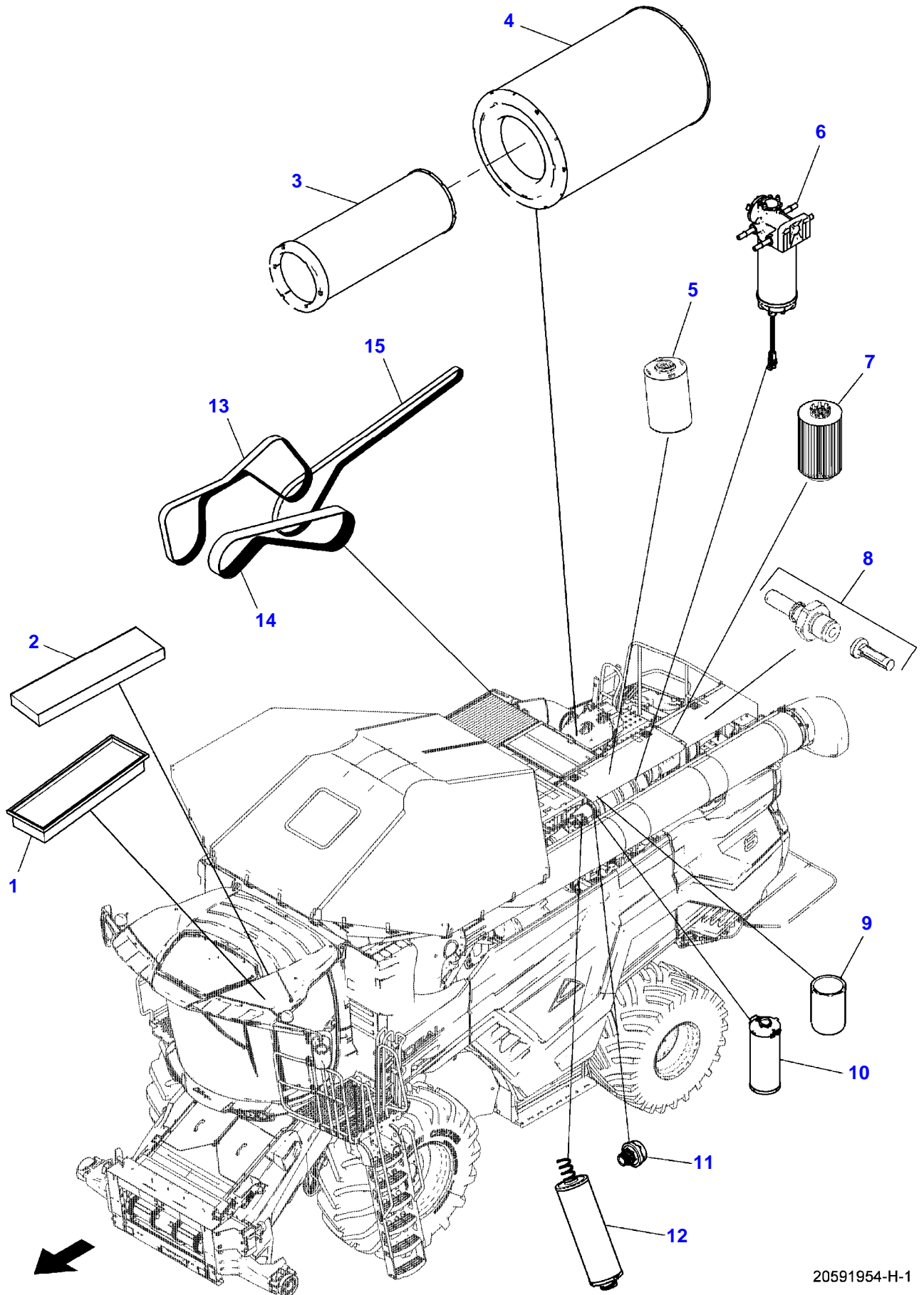


Page Number	Page Title	Page Reference
01-000-TOC	ENGINE, FUEL AND EXHAUST SYSTEM	01-000-TOC
02-000-TOC	ENGINE	02-000-TOC
03-000-TOC	ENGINE INSTALLATION	03-000-TOC
04-000-TOC	DRIVE SYSTEM	04-000-TOC
05-000-TOC	AXLES	05-000-TOC
06-000-TOC	DRIVE TRAIN SYSTEM	06-000-TOC
07-000-TOC	BRAKE SYSTEM	07-000-TOC
08-000-TOC	HYDRAULIC SYSTEM	08-000-TOC
09-000-TOC	ELECTRICAL SYSTEM	09-000-TOC
10-000-TOC	CAB	10-000-TOC
11-000-TOC	AIR CONDITIONING AND HEATING SYSTEM	11-000-TOC
12-000-TOC	CHASSIS	12-000-TOC
13-000-TOC	DECALS	13-000-TOC
14-000-TOC	WHEELS	14-000-TOC
15-000-TOC	FEEDING SYSTEM	15-000-TOC
16-000-TOC	THRESHING SYSTEM	16-000-TOC
17-000-TOC	CLEANING SYSTEM	17-000-TOC
18-000-TOC	GRAIN BIN AND ELEVATOR SYSTEM	18-000-TOC
19-000-TOC	DISCHARGE SYSTEM	19-000-TOC
20-000-TOC	PRECISION FARMING SYSTEMS	20-000-TOC
21-000-TOC	ATTACHMENTS	21-000-TOC
22-000-TOC	ACCESSORIES	22-000-TOC

Page Number	Page Title	Page Reference
01-0001	FILTER AND BELT GUIDE	2328646
01-0002	ENGINE T4F - ENGINE, ALTERNATOR, STARTER, AIR CONDITIONER T4F	2316520
01-0003	COOLING PACKAGE ASSEMBLY	2315404
01-0004	RADIATOR AND COOLERS	2315405
01-0005	FAN & SHROUD	2315407
01-0006	COOLANT AND AIR TUBES PAGE 1 OF 2	2313974
01-0007	COOLANT AND AIR TUBES PAGE 2 OF 2	2313975
01-0008	FUEL SYSTEM ASSEMBLY	2315408
01-0009	FUEL TANK ASSEMBLY, 1000 LITER, 264 GALLON 1000L 264 GALLONS	2312345
01-0010	FUEL TANK ASSEMBLY, 1250 LITER, 330 GALLON 1250L 330 GALLONS	2312346
01-0011	FUEL TANK ASSEMBLY, 1500 LITER, 396 GALLON	2327836
01-0012	DEF TANK	2312347
01-0013	DEF SYSTEM INSTALLATION PAGE 2 OF 2	2316523
01-0014	DEF - FILTERS	2317516
01-0015	ENGINE : STAGE 4 / TIER 4F EXPANSION TANK ENGINE : STAGE 4 / TIER 4F	2317515
01-0016	EXHAUST GROUP	2316522
01-0017	ASPIRATOR GROUP - MOUNT	2315406
01-0018	COMPRESSED AIR	2319481
01-0019	COMPRESSED AIR	2319482

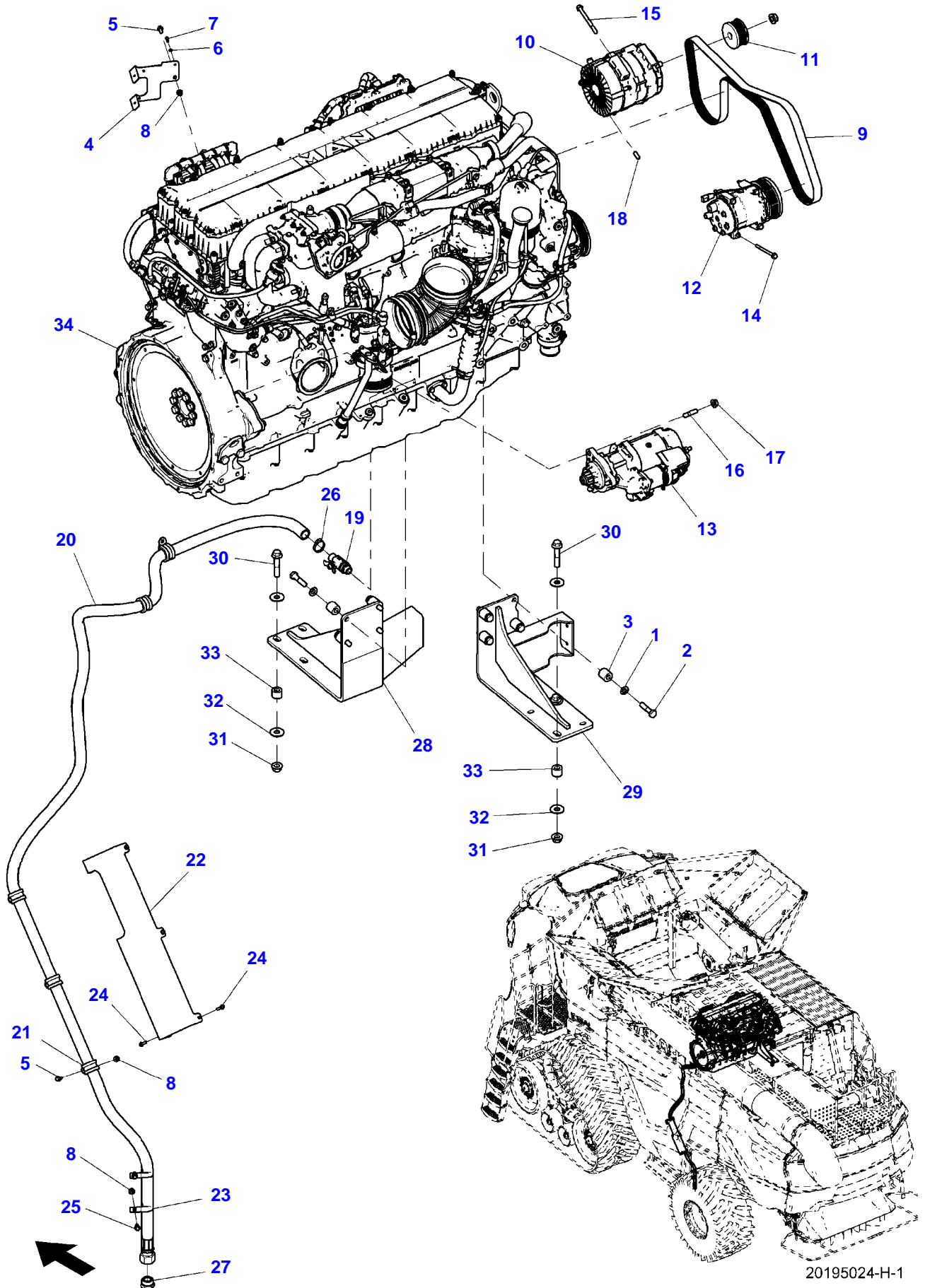
IDEAL CLASS 8 COMBINE  
20591954-H-1



20591954-H-1

Item	Part Number	Qty	Description Comments	Technical Specification
1	71484324	1	AIR FILTER	
2	71468247	1	AIR FILTER	
3	ACP0287840	1	SECONDARY AIR FILTER ELEMENT	
4	ACP0287830	1	PRIMARY AIR FILTER ELEMENT	
5	ACP0154860	1	FILTER CARTRIDGE	
6	ACW4182090	1	FUEL FILTER	
7	ACP0153530	1	FILTER ELEMENT	
8	ACP0300680	1	SUCTION FILTER	
9	ACW1330790	1	FILTER ELEMENT	
10	ACW1344920	1	OIL FILTER	
	ACW1344930	1	INDICATOR	
	ACX0102830	1	FILTER ELEMENT	
11	ACX0102560	1	HYDRAULIC TANK FILTER BREATHER	
12	ACW0742020	1	OIL FILTER	
	ACX0102560	1	HYDRAULIC TANK FILTER BREATHER	
	ACW0703380	1	SENSOR	
	ACW0741900	1	FILTER CARTRIDGE	
13	72619522	1	BELT	
14	ACW0936010	1	COOLING FAN V-BELT	CL8
15	ACW1752340	1	BELT	

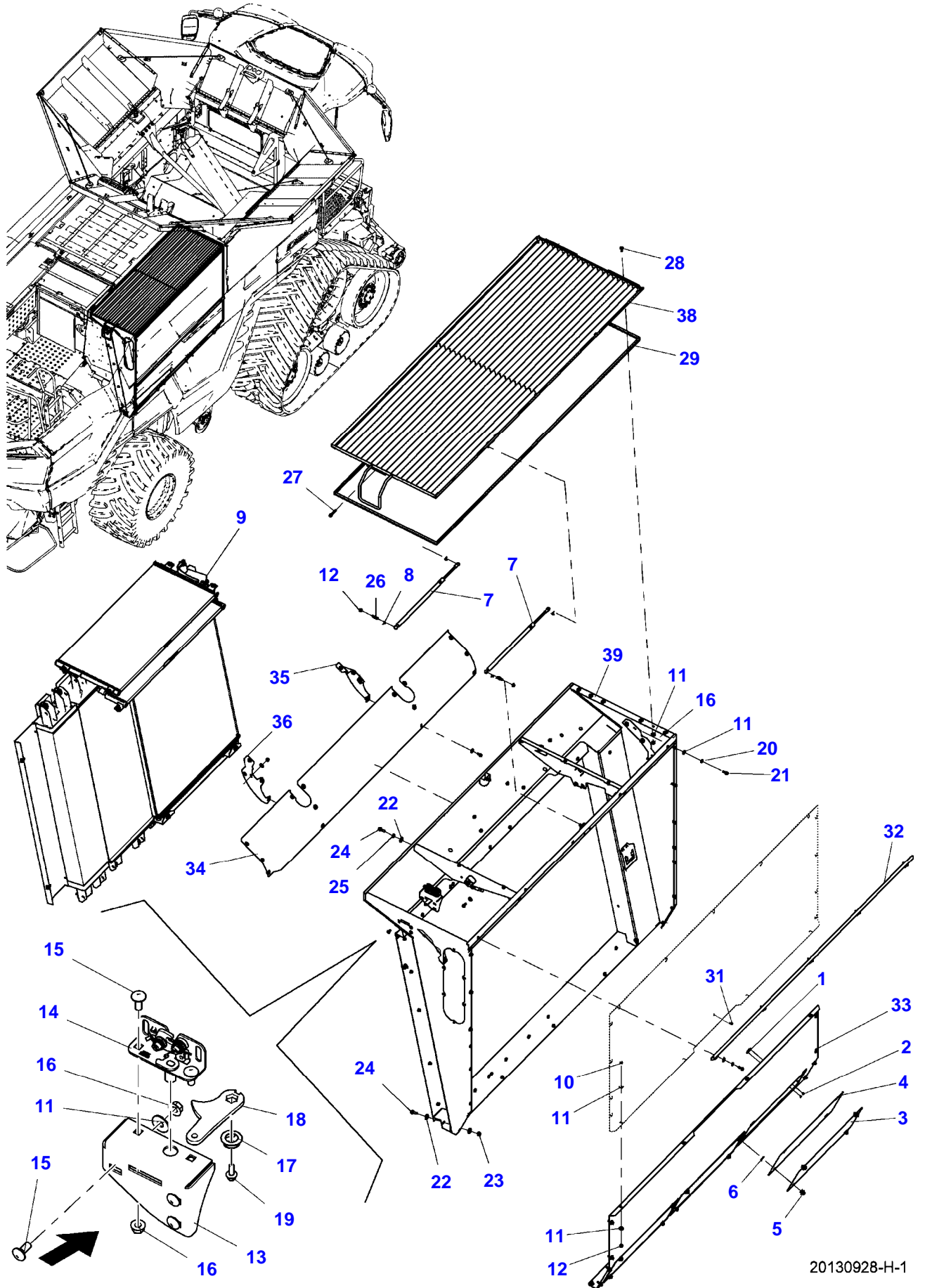
IDEAL CLASS 8 COMBINE  
20195024-H-1



20195024-H-1

Item	Part Number	Qty	Description Comments	Technical Specification
<b>T4F</b>				
1	ACW1064110	8	FLAT WASHER	ISO887CN 14-200HV FLZN1
2	ACW1955100	8	HEX BOLT	DIN931 M14X2X60-10 FLZN1
3	ACW1023380	8	SPACER	
4	ACW110126A	1	HARNESS SUPPORT	
5	ACW1041210	4	HEXAGON FLANGE BOLT	ISO4162 M8X1.25X20-8 FLZN1
6	ACW1064090	1	FLAT WASHER	ISO887CN 5-200HV ELZN3
7	339721X1	1	HEXAGONAL HEAD BOLT	M5 X 16 ISO 8.8 ZN
8	ACW1023930	6	HEX FLANGE NUT	EN1661 M8X1.25-10 FLZN1
9	72619522	1	BELT	
10	ACW1754450	1	ALTERNATOR	12V, 325A
11	ACW1752890	1	ALTERNATOR SHEAVE	8PK
12	ACW0479350	1	AIR CONDITIONING COMPRESSOR	
13	ACW7581530	1	STARTER	24V, SAE NO.3
14	ACW0883700	4	HEXAGON FLANGE BOLT	EN1665 M8X1.25X100-8 VDA30
15	ACW1040890	4	HEXAGON FLANGE BOLT	ISO4162 M10X1.5X100-10 FLZN1
16	ACW1066150	3	SOCKET HEAD SETSCREW	ISO4762 M12X1.75X40-10 FLZN1
17	ACW1023950	3	HEX FLANGE NUT	EN1661 M12X1.75-10 FLZN1
18	ACW1066260	1	SET SCREW	ISO4029 M10X1.5X25-45H FLZN1
19	ACW1762570	1	OIL DRAIN VALVE	
20	ACW1930360	1	OIL DRAIN HOSE	12499
21	ACW1135600	5	CLAMP	?35 MM
22	ACW115446A	1	SHIELD	
23	70937684	2	J-CLIP	1-1/4" ID X .406" HOLE
24	ACW1041160	6	HEXAGON FLANGE BOLT	ISO4162 M6X1X20-8 FLZN1
25	ACW1041130	2	HEXAGON FLANGE BOLT	ISO4162 M8X1.25X16-8 FLZN1
26	70921912	1	HOSE CLAMP	1.06"-2.0" DIA
27	AG519380	1	PLUG	
28	ACW3796730	1	FRONT SUPPORT	
29	ACW3796620	1	SUPPORT	
30	ACW1041070	4	HEXAGON FLANGE BOLT	ISO4162 M16X2X80-10 FLZN1
31	ACW1027170	4	HEX FLANGE TOP LOCK NUT	ISO7044 M16X2-8 FLZN1
32	ACW1628590	8	FLAT WASHER	ISO887CZ 16-200HV FLZN1
33	ACW0807420	4	SPACER	
34	ACW1207530	1	ENGINE	12.4L

IDEAL CLASS 8 COMBINE  
20130928-H-1

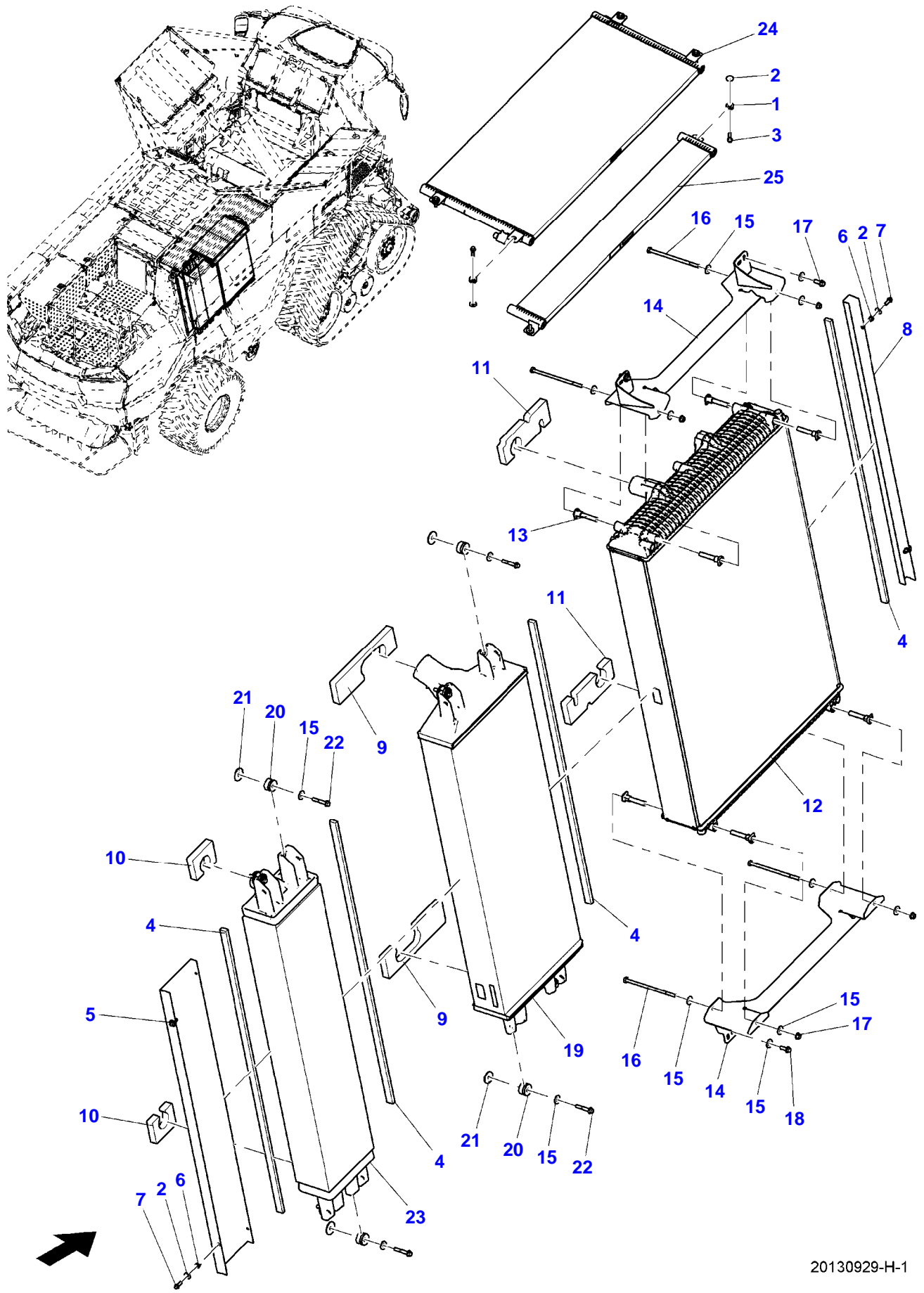


20130928-H-1

Item	Part Number	Qty	Description Comments	Technical Specification
1	ACW2010490	12	RECEPTACLE	
2	70923398	24	POP RIVET	5/32" X 1/4"
3	ACW2000910	3	PANEL	
4	ACW201069A	3	SEAL	
5	72629914	12	PUSH ROD	?28 MM
6	72629916	12	LOCK WASHER	
7	ACW4352460	2	GAS SPRING	
8	536250D1	4	RETAINING CLIP	
9		1	SEE PAGE 01-0004	
10	ACW1041210	22	HEXAGON FLANGE BOLT	ISO4162 M8X1.25X20-8 FLZN1
11	ACW1628560	77	FLAT WASHER	ISO887CL 8-200HV FLZN1
12	ACW1027140	25	HEX FLANGE NUT	ISO7044 M8X1.25-8 FLZN1
13	ACX0032480	1	LATCH MOUNT	
14	71450072	1	LATCH	
15	ACW0997800	5	ROUND HEAD SQUARE NECK CARRIAGE BOLT	ISO8678 M8X1.25X20-8 FLZN1
16	ACW1023930	11	HEX FLANGE NUT	EN1661 M8X1.25-10 FLZN1
17	700143414	1	LEVER RETAINER	
18	ACX0032790	1	LATCH LEVER	
19	ACW1041150	1	HEXAGON FLANGE BOLT	ISO4162 M6X1X16-8 FLZN1
20	ACW1066960	24	BELLEVILLE WASHER	DIN6796 8X18X2 FLZN1
21	ACW1493700	24	HEXAGON FLANGE BOLT	ISO4162 M8X1.25X25-10 FLZN1
22	ACW1628570	14	FLAT WASHER	ISO887CL 10-200HV FLZN1
23	ACW1027150	6	HEX NUT	ISO7044 M10X1.5-8 FLZN1
24	ACW1040790	8	HEXAGON FLANGE BOLT	ISO4162 M10X1.5X30-10 FLZN1
25	ACW1066970	2	BELLEVILLE WASHER	DIN6796 10X23X2.5 FLZN1
26	ACW2096420	2	BALL STUD	12499
27	ACW1041260	1	HEXAGON FLANGE BOLT	ISO4162 M8X1.25X50-8 FLZN1
28	ACW0997810	6	ROUND HEAD SQUARE NECK CARRIAGE BOLT	ISO8678 M8X1.25X25-8 FLZN1
29	ACX0031840	1	SEAL	
31	ACW1061360	1	BLIND RIVET NUT	HRIV M8 F 0.5-3.0 ST OP ZNCR3
32	ACW0679250	1	ANGLE SUPPORT	20307
33	ACW1997520	1	PANEL	
34	ACW0627450	1	PANEL	20307
35	ACW0669290	1	BAFFLE PLATE	20307
36	ACW0669310	1	BAFFLE PLATE	20307
38	ACW115299B	1	SCREEN	
39	ACW0900990	1	COOLER	



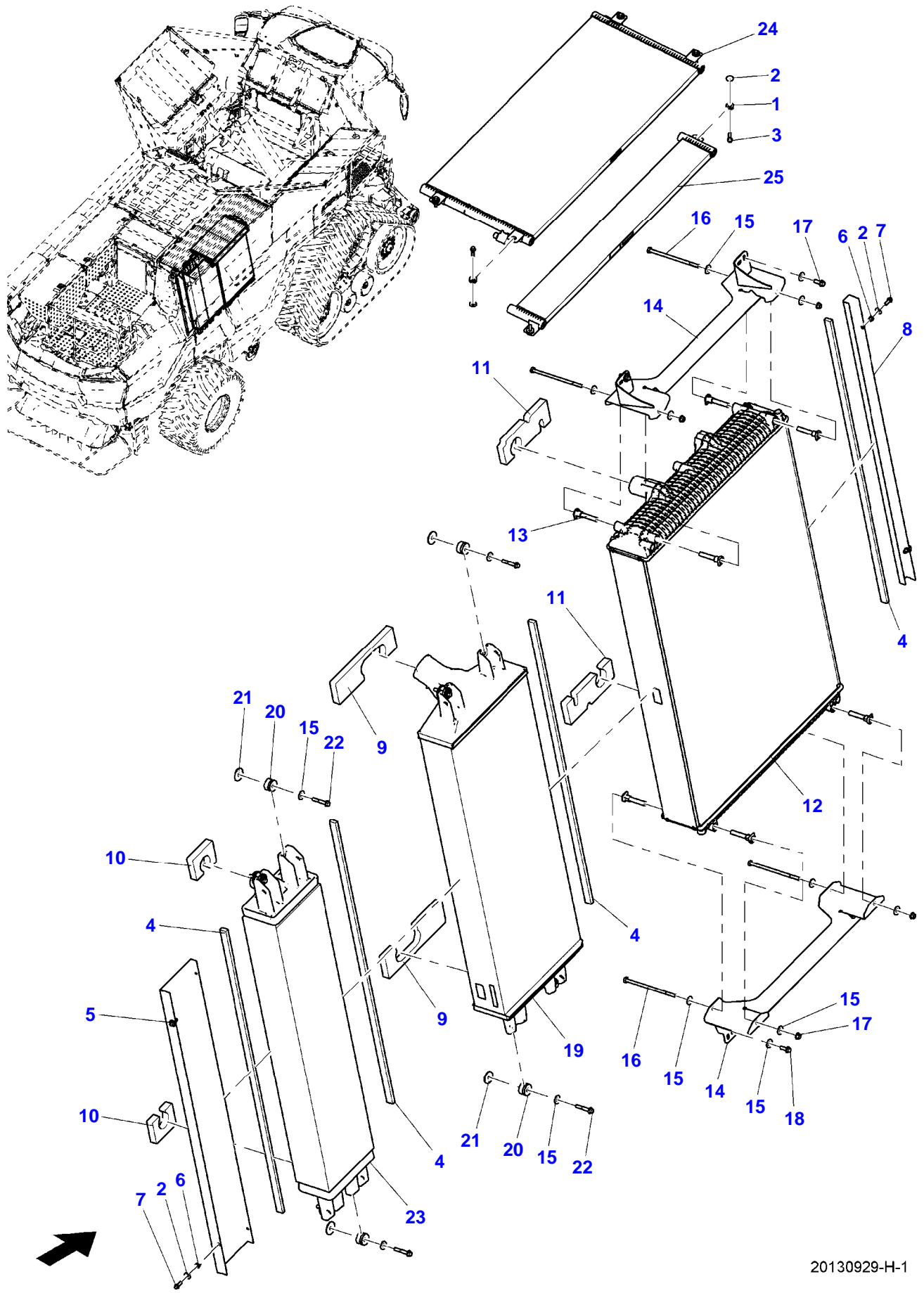
IDEAL CLASS 8 COMBINE  
20130929-H-1



20130929-H-1

Item	Part Number	Qty	Description Comments	Technical Specification
1	ACX0034030	6	ISOLATOR	M8
2	ACW1628560	10	FLAT WASHER	ISO887CL 8-200HV FLZN1
3	ACW1041240	6	HEXAGON FLANGE BOLT	ISO4162 M8X1.25X35-8 FLZN1
4	ACX0034070	4	FOAM STRIP	
5	ACW1152840	1	SEAL	
6	ACW1061360	4	BLIND RIVET NUT	HRIV M8 F 0.5-3.0 ST OP ZNCR3
7	ACW1493700	4	HEXAGON FLANGE BOLT	ISO4162 M8X1.25X25-10 FLZN1
8	ACW0481220	1	SEAL	
9	ACW0708690	2	FOAM SEAL	28206
10	ACW0702630	2	FOAM SEAL	28206
11	ACW0629360	2	FOAM SEAL	28206
12	ACW1153920	1	COOLER	843 X 1200 X 145
13	ACW046469A	8	ISOLATOR	
14	ACX0032150	2	CHANNEL MOUNT	20307
15	ACW1628570	20	FLAT WASHER	ISO887CL 10-200HV FLZN1
16	ACW0465250	4	HEX CAP SCREW	
17	ACW1023940	4	HEX FLANGE NUT	ISO4161 M10X1.5-10 FLZN1
18	ACW1040790	4	HEXAGON FLANGE BOLT	ISO4162 M10X1.5X30-10 FLZN1
19	ACW1153930	1	CHARGE AIR COOLER	453 X 1200 X 132
20	ACX0032430	8	ISOLATOR	12499
21	ACW1628350	8	FLAT WASHER	ISO887CZ 10-200HV FLZN1
22	ACW1040840	8	HEXAGON FLANGE BOLT	M10 X 60 (1.5) ISO 10 FLZN1
23	ACW1153950	1	HYDRAULIC OIL COOLER	263 X 1168 X 145
24	ACW1153960	1	COOLER CONDENSOR	450 X 1000 X 27
25	ACW1153970	1	FUEL COOLER	116 X 1000 X 27

IDEAL CLASS 8 COMBINE  
20130929-H-1



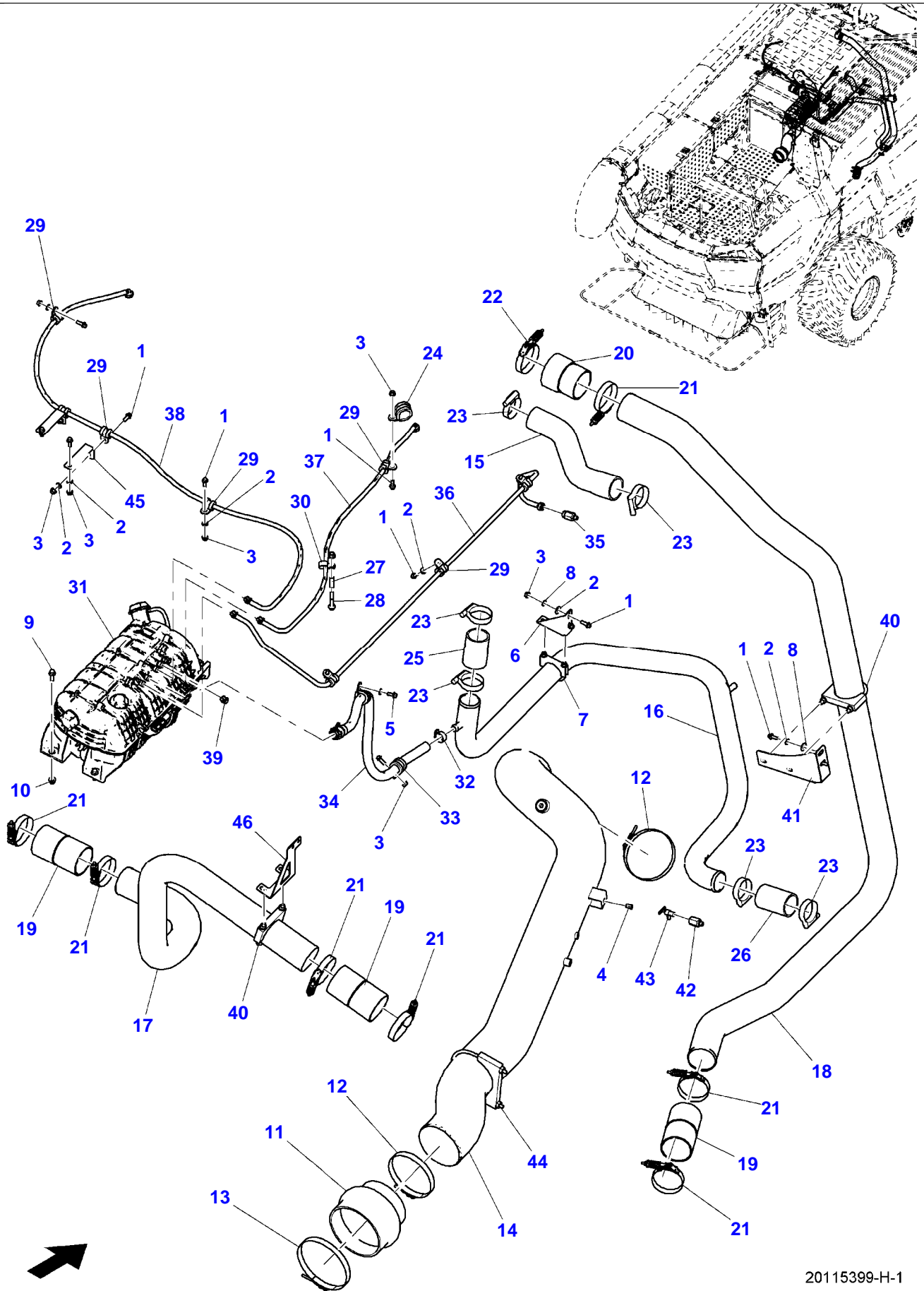
20130929-H-1

Item	Part Number	Qty	Description Comments	Technical Specification
1	ACX0034030	6	ISOLATOR	M8
2	ACW1628560	10	FLAT WASHER	ISO887CL 8-200HV FLZN1
3	ACW1041240	6	HEXAGON FLANGE BOLT	ISO4162 M8X1.25X35-8 FLZN1
4	ACX0034070	4	FOAM STRIP	
5	ACW1152840	1	SEAL	
6	ACW1061360	4	BLIND RIVET NUT	HRIV M8 F 0.5-3.0 ST OP ZNCR3
7	ACW1493700	4	HEXAGON FLANGE BOLT	ISO4162 M8X1.25X25-10 FLZN1
8	ACW0481220	1	SEAL	
9	ACW0708690	2	FOAM SEAL	28206
10	ACW0702630	2	FOAM SEAL	28206
11	ACW0629360	2	FOAM SEAL	28206
12	ACW1153920	1	COOLER	843 X 1200 X 145
13	ACW046469A	8	ISOLATOR	
14	ACX0032150	2	CHANNEL MOUNT	20307
15	ACW1628570	20	FLAT WASHER	ISO887CL 10-200HV FLZN1
16	ACW0465250	4	HEX CAP SCREW	
17	ACW1023940	4	HEX FLANGE NUT	ISO4161 M10X1.5-10 FLZN1
18	ACW1040790	4	HEXAGON FLANGE BOLT	ISO4162 M10X1.5X30-10 FLZN1
19	ACW1153930	1	CHARGE AIR COOLER	453 X 1200 X 132
20	ACX0032430	8	ISOLATOR	12499
21	ACW1628350	8	FLAT WASHER	ISO887CZ 10-200HV FLZN1
22	ACW1040840	8	HEXAGON FLANGE BOLT	M10 X 60 (1.5) ISO 10 FLZN1
23	ACW1153950	1	HYDRAULIC OIL COOLER	263 X 1168 X 145
24	ACW1153960	1	COOLER CONDENSOR	450 X 1000 X 27
25	ACW1153970	1	FUEL COOLER	116 X 1000 X 27



Item	Part Number	Qty	Description Comments	Technical Specification
1	ACW1000090	4	STUD BOLT	DIN939 M10X1.5X35-8 VDA30
2	ACW1023940	4	HEX FLANGE NUT	ISO4161 M10X1.5-10 FLZN1
3	6269644M1	1	CONNECTOR	
4	71395752	1	GROMMET	1-1/4" OD
5	ACW1135530	1	CLAMP	?20 MM
6	ACW1041210	1	HEXAGON FLANGE BOLT	ISO4162 M8X1.25X20-8 FLZN1
7	ACW1027140	1	HEX FLANGE NUT	ISO7044 M8X1.25-8 FLZN1
8	ACW1493700	29	HEXAGON FLANGE BOLT	ISO4162 M8X1.25X25-10 FLZN1
9	ACW3404700	1	AIR-COOLING FAN	
10	382069	8	FLAT WASHER	13/32" X 2-1/4" X 1/8"
11	ACW1041220	8	HEXAGON FLANGE BOLT	ISO4162 M8X1.25X25-8 FLZN1
12	ACW2003400	1	PLATE COVER	
13	350339317	2	BLIND RIVET NUT	HRIV M8 T 0.5-3.5 ST OP ZN8K+
14	ACW1066960	29	BELLEVILLE WASHER	DIN6796 8X18X2 FLZN1
15	ACW1207700	1	FAN	
16	ACW202032A	1	FAN SHROUD	
17	ACW1023630	2	FOAM STRIP	
18	ACW0709640	1	SHROUD COVER	12499
19	ACW1628560	27	FLAT WASHER	ISO887CL 8-200HV FLZN1

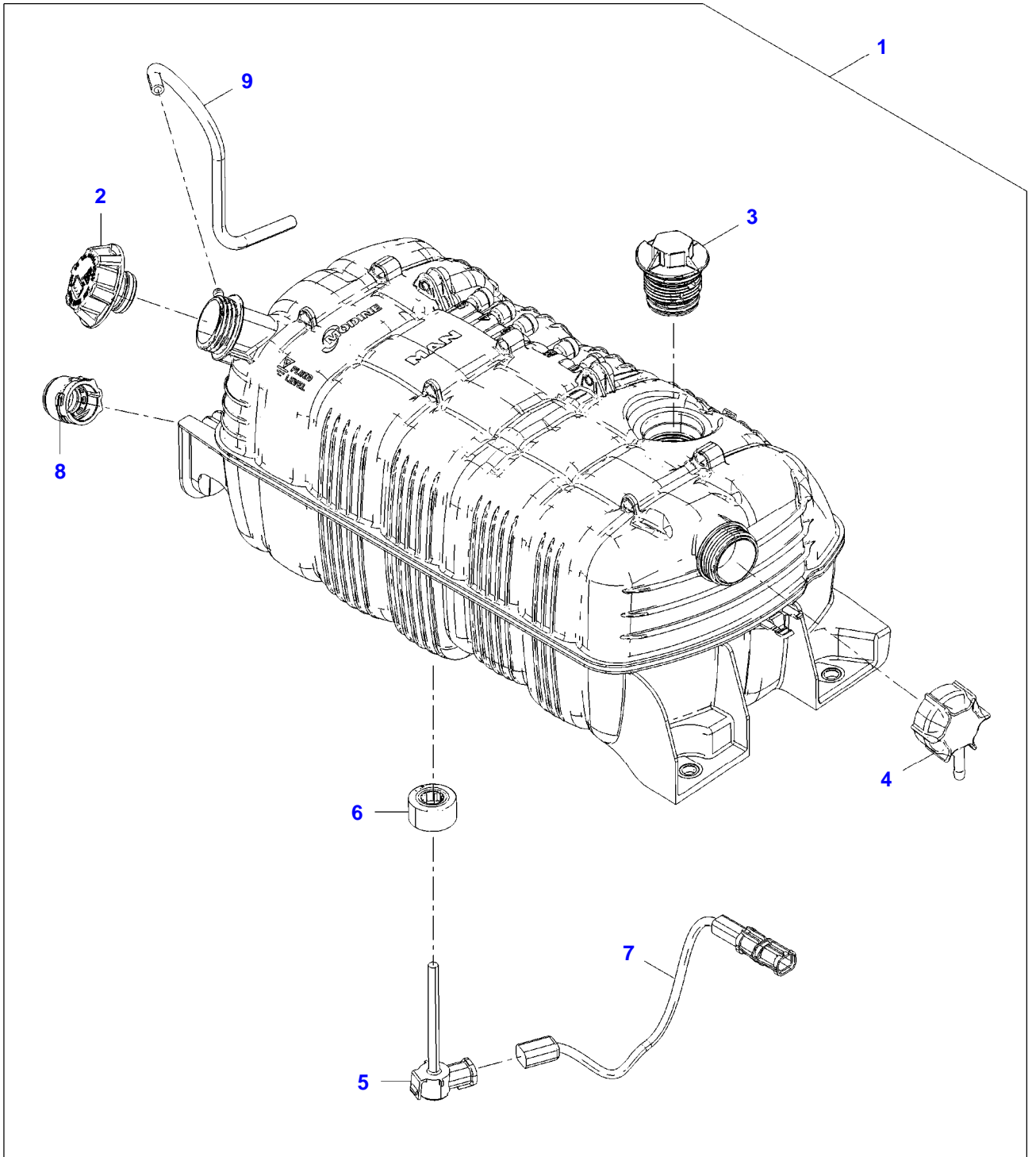
IDEAL CLASS 8 COMBINE  
20115399-H-1



Item	Part Number	Qty	Description Comments	Technical Specification
PAGE 1 OF 2				
1	ACW1493700	15	HEXAGON FLANGE BOLT	ISO4162 M8X1.25X25-10 FLZN1
2	ACW1066960	14	BELLEVILLE WASHER	DIN6796 8X18X2 FLZN1
3	ACW1023930	10	HEX FLANGE NUT	EN1661 M8X1.25-10 FLZN1
4	350339317	1	BLIND RIVET NUT	HRIV M8 T 0.5-3.5 ST OP ZN8K+
5	ACW1041210	1	HEXAGON FLANGE BOLT	ISO4162 M8X1.25X20-8 FLZN1
6	ACW1997210	1	SUPPORT	
7	W247852B	1	FILTER BRACKET	
8	ACW1628560	4	FLAT WASHER	ISO887CL 8-200HV FLZN1
9	ACW1040790	4	HEXAGON FLANGE BOLT	ISO4162 M10X1.5X30-10 FLZN1
10	ACW1023940	5	HEX FLANGE NUT	ISO4161 M10X1.5-10 FLZN1
11	72526295	1	REDUCER	7IN TO 6IN
12	71443277	2	T-BOLT CLAMP	6-1/4"
13	71441561	1	T-BOLT CLAMP	7-1/4" ID
14	ACW2007050	1	INTAKE TUBE	CL8
15	ACW042515A	1	RADIATOR HOSE	
16	ACW1972530	1	RADIATOR TUBE	
17	ACW0719550	1	AIR TUBE	
18	ACW1933390	1	AIR TUBE	
19	71464065	3	CHARGE AIR CONNECTOR	3.504MM X 3.898MM X 6.417MM
20	ACW1934020	1	CONNECTOR	
21	71470297	7	SPRING CLAMP	
22	ACW0719420	1	SPRING CLAMP	4.13"
23	71366540	6	CONSTANT TORQUE CLAMP	3.110" OD TO 2.245" OD
24	ACW1979490	1	PIPE CLAMP	
25	ACW0425090	1	CONNECTOR	
26	ACX0032570	1	CONNECTOR	
27	ACW0719450	1	SPACER	12499
28	ACW1040840	1	HEXAGON FLANGE BOLT	M10 X 60 (1.5) ISO 10 FLZN1
29	ACW1135470	8	PIPE CLAMP	
30	70932619	1	P-CLIP	1/2"
31		1	SEE PAGE 01-0015	
32	AG561229	1	HOSE CLAMP	13/16"-1-3/4" , SAE 20 ,SS
33	ACW1986490	2	CLAMPING PIPE	
34	ACW2161900	1	HOSE ASSY	
35	ACW1207480	1	ADAPTER	
36	ACW194947A	1	COOLANT	
37	ACW1949480	1	COOLANT LINE	
38	ACW1956090	1	COOLANT LINE	
39	ACW0926030	2	PLUG	17199
40	700738445	2	EXHAUST CLAMP	3/8"-16, 3-1/2"
41	ACW047904A	1	TUBE SUPPORT	
42	ACW2023930	1	ADAPTER	
43	70933036	1	DRAIN VALVE	1/4" NPT
44	8020125	1	EXHAUST CLAMP	
45	ACW1984810	2	BRACKET	
46	ACW198689A	1	CLAMP PLATE	



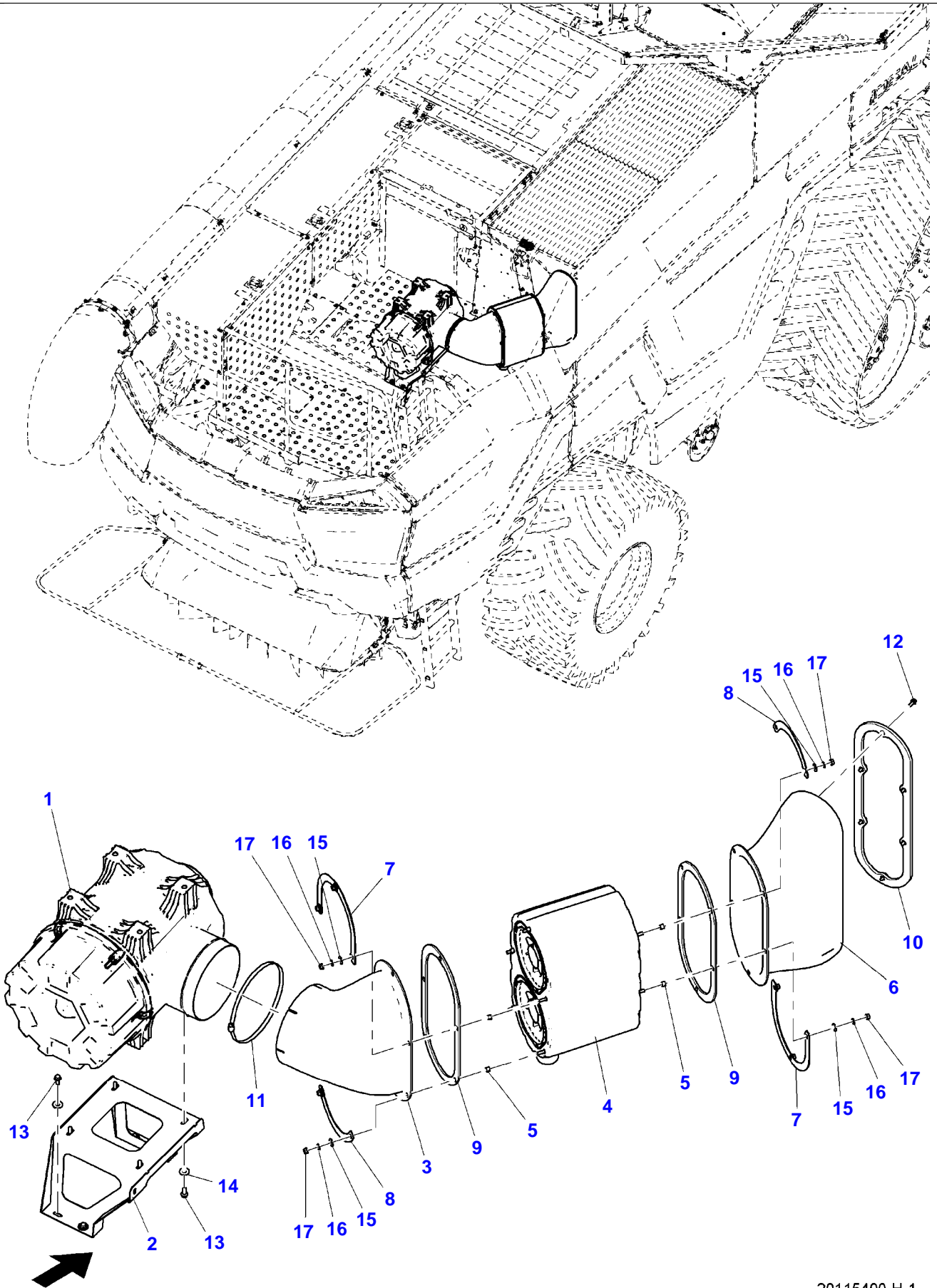
IDEAL CLASS 8 COMBINE  
19721591-M-1



19721591-M-1

Item	Part Number	Qty	Description Comments
<b>ENGINE : STAGE 4 / TIER 4F</b>			
1	72625912	1	EXPANSION TANK
2	72624800	1	TANK CAP
3	72624801	1	VALVE
4	72624802	1	VALVE
5	72624805	1	SENSOR
6	72625913	1	FLOAT
7	72624807	1	CABLE
8	ACP0353920	1	NIPPLE
9	72624808	1	HOSE

IDEAL CLASS 8 COMBINE  
20115400-H-1



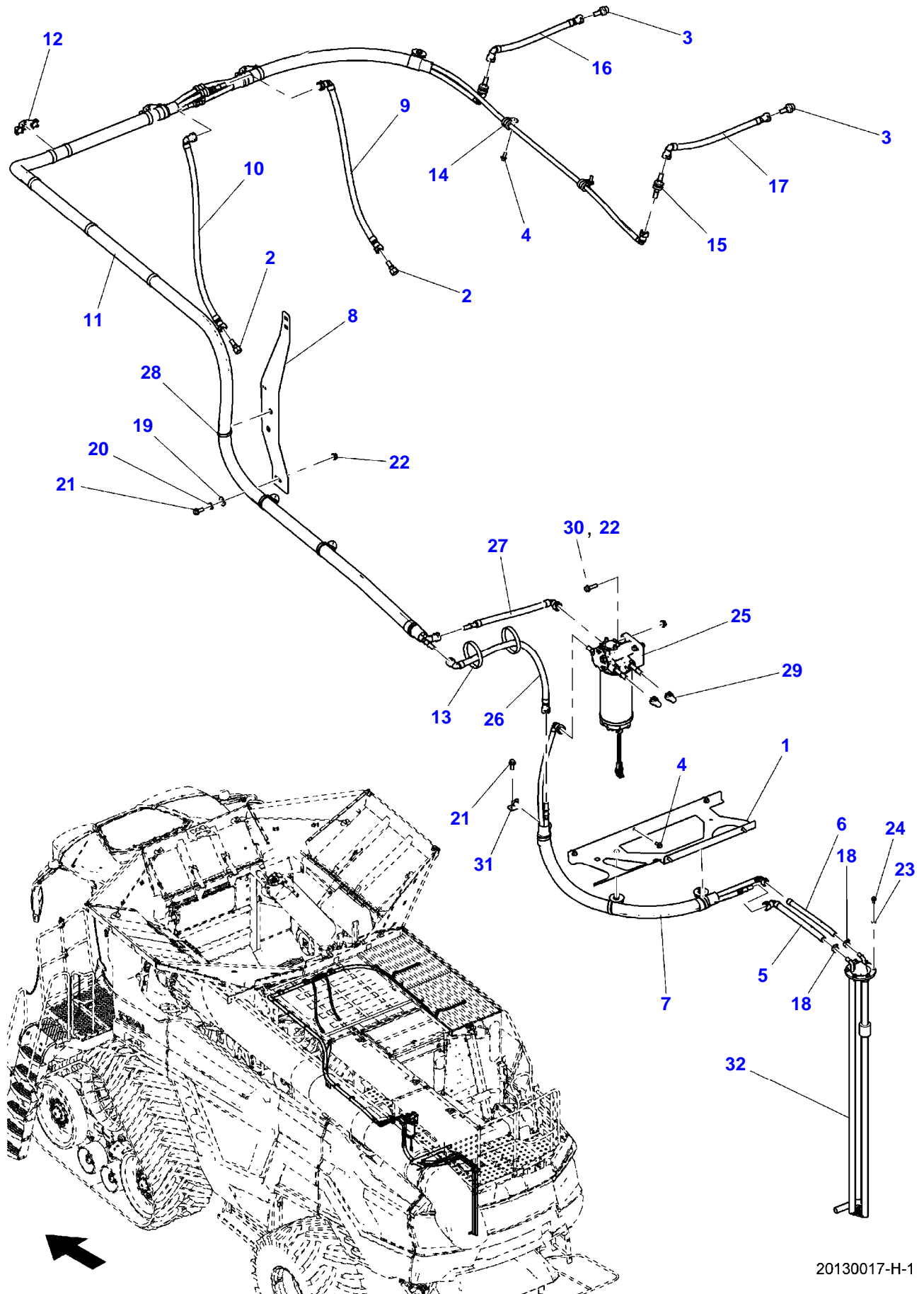
20115400-H-1

Item	Part Number	Qty	Description Comments	Technical Specification
------	-------------	-----	-------------------------	-------------------------

PAGE 2 OF 2

1	ACW0381750	1	AIR CLEANER ASSEMBLY	
2	ACW3842570	1	AIR CLEANER MOUNTING BRACKET	
3	ACW2016920	1	INTAKE DUCT	
4	ACW0381760	1	PRE-CLEANER	
5	ACW2016480	10	BUSHING	
6	ACW2016910	1	INTAKE DUCT	
7	ACW2016890	2	SUPPORT	
8	ACW2016900	2	SUPPORT	
9	ACW2023380	2	GASKET	8"
10	ACW2016950	1	GASKET	
11	ACW3769950	1	HOSE CLAMP	
12	ACW1041210	6	HEXAGON FLANGE BOLT	ISO4162 M8X1.25X20-8 FLZN1
13	ACW1040780	8	HEXAGON FLANGE BOLT	ISO4162 M10X1.5X25-10 FLZN1
14	ACW1628570	8	FLAT WASHER	ISO887CL 10-200HV FLZN1
15	ACW1628560	10	FLAT WASHER	ISO887CL 8-200HV FLZN1
16	ACW1066960	10	BELLEVILLE WASHER	DIN6796 8X18X2 FLZN1
17	ACW1023930	10	HEX FLANGE NUT	EN1661 M8X1.25-10 FLZN1

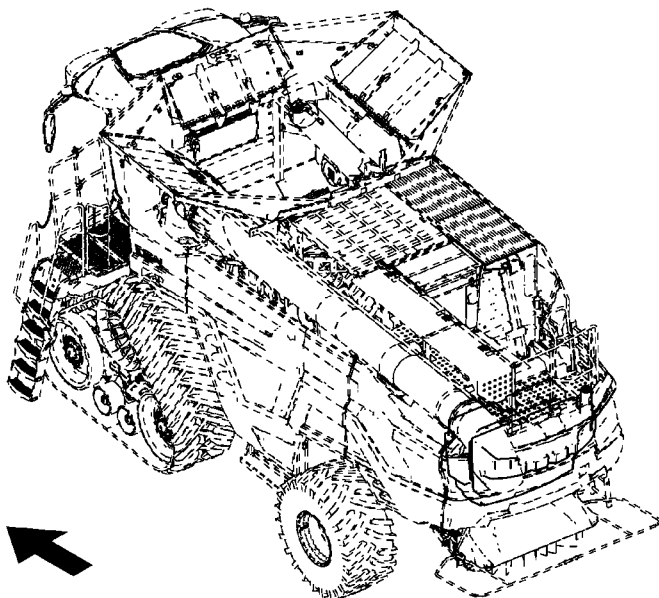
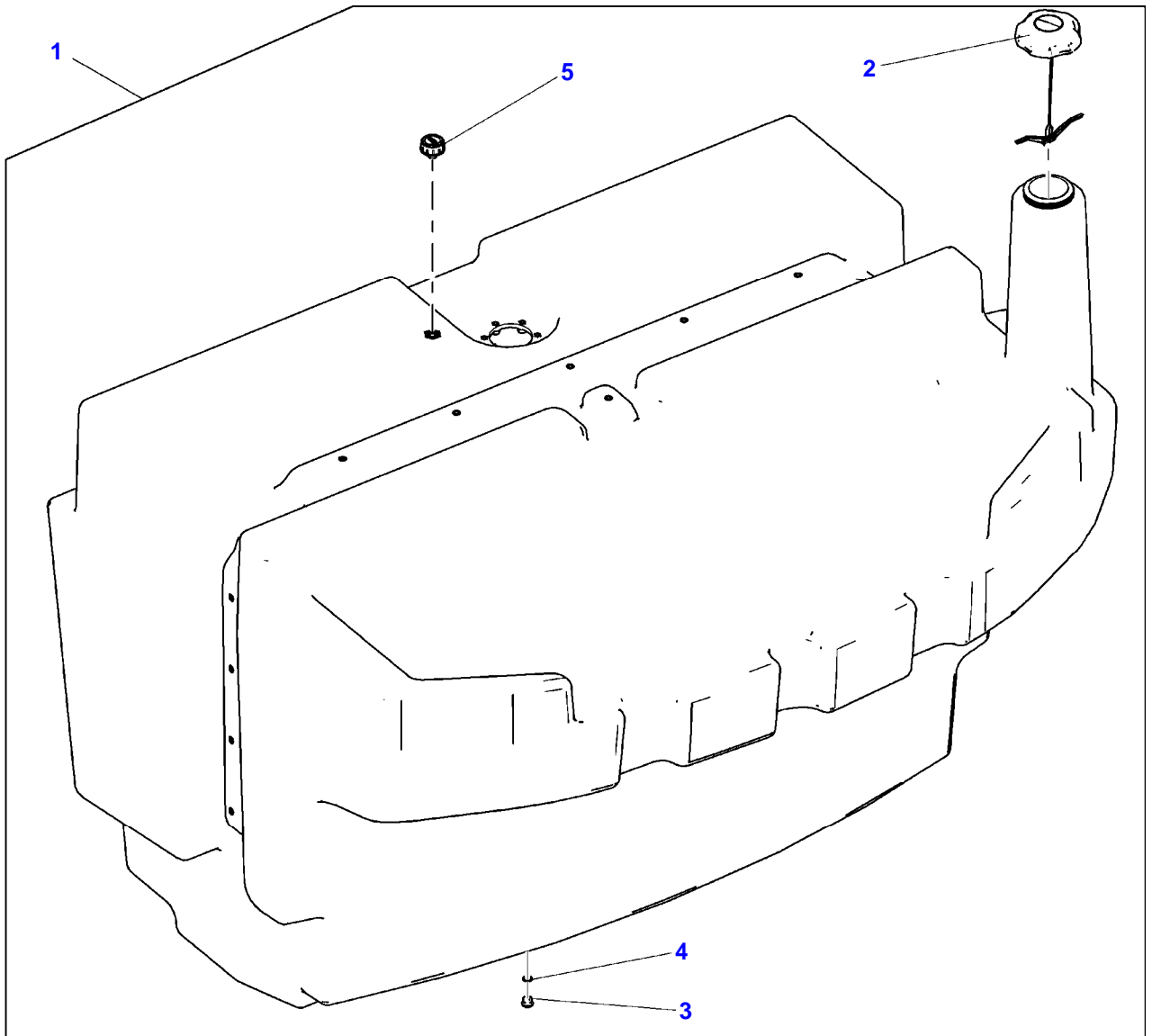
IDEAL CLASS 8 COMBINE  
20130017-H-1



20130017-H-1

Item	Part Number	Qty	Description Comments	Technical Specification
1	ACW4690430	1	LINE SUPPORT	
2	ACX0033610	2	ADAPTER	1/2" X M1
3	ACX0033440	2	ADAPTER	1/2" X 7/8"
4	ACW1041210	7	HEXAGON FLANGE BOLT	ISO4162 M8X1.25X20-8 FLZN1
5	ACW4354380	1	FUEL HOSE	
6	ACW4355050	1	RETURN HOSE	
7	ACW4182070	1	FUEL LINE	
8	ACW4663990	1	LINE SUPPORT	
9	ACW4269390	1	FUEL SUPPLY HOSE	
10	ACW4269380	1	FUEL HOSE	
11	ACW4173800	1	FUEL LINE	
12	402230X1	3	CABLE TIE MOUNT	2 T50-T250 CABLE TIES
13	402295X1	11	CABLE TIE	L = 390 MM
14	ACW1135490	5	CLAMPING PIPE	
15	ACW2862860	2	BULKHEAD FITTING	
16	ACW3497200	1	TUBE ASSY	
17	ACW3496220	1	TUBE ASSY	
18	AG561227	2	HOSE CLAMP	0.44"-0.78",SAE 6,SS
19	ACW1628570	1	FLAT WASHER	ISO887CL 10-200HV FLZN1
20	ACW1066970	1	BELLEVILLE WASHER	DIN6796 10X23X2.5 FLZN1
21	ACW1040780	4	HEXAGON FLANGE BOLT	ISO4162 M10X1.5X25-10 FLZN1
22	ACW1023940	4	HEX FLANGE NUT	ISO4161 M10X1.5-10 FLZN1
23	ACW1066950	6	BELLEVILLE WASHER	DIN2093-A 6X12.5X0.7 FLZN1
24	ACW1041150	6	HEXAGON FLANGE BOLT	ISO4162 M6X1X16-8 FLZN1
25	ACW4182090	1	FUEL FILTER	
26	ACW4182080	1	RETURN HOSE	
27	ACW4182110	1	FUEL HOSE	
28	ACW4665110	13	CABLE TIE	
29	ACW4822730	2	PLUG	
30	ACW1040800	2	HEXAGON FLANGE BOLT	ISO4162 M10X1.5X35-10 FLZN1
31	ACW3798010	1	ANGLE	
32	ACW2161930	1	FUEL PRESSURE SENSOR	

IDEAL CLASS 8 COMBINE  
20106190-H-1



Item	Part Number	Qty	Description Comments	Technical Specification
			<b>1000L 264 GALLONS</b>	
1	ACW186090B	1	FUEL TANK	1000L
2	ACW1868120	1	FUEL CAP	
3	71444855	1	PLUG	M14 X 1.5
4	71443167	1	O-RING	11.3MM ID X 2.4MM
5	ACW1305460	1	BREATHER	



Thank you so much for reading.  
Please click the “Buy Now!”  
button below to download the  
complete manual.



After you pay.

You can download the most  
perfect and complete manual in  
the world immediately.

Our support email:

[ebooklibonline@outlook.com](mailto:ebooklibonline@outlook.com)