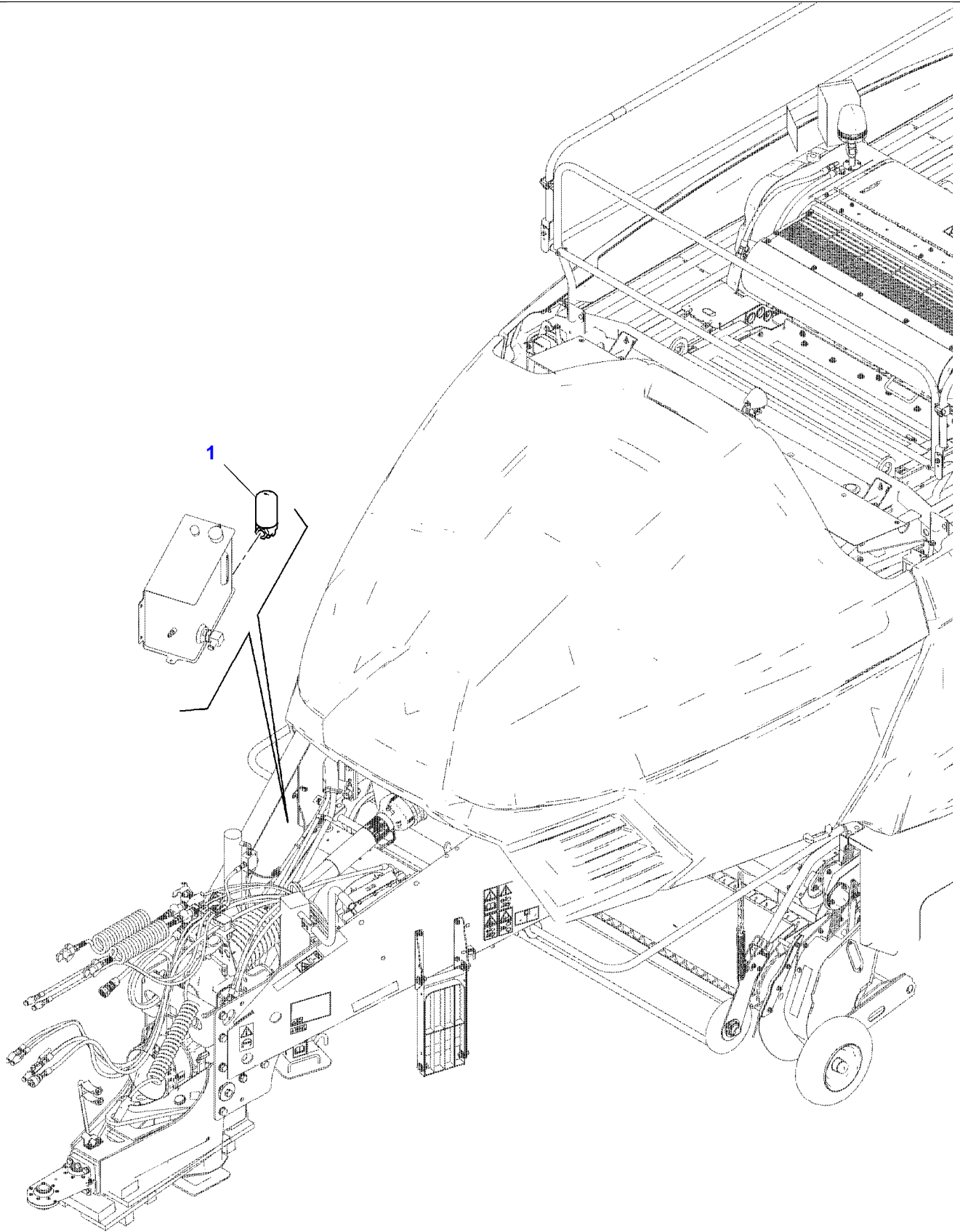


<b>Page Number</b>	<b>Page Title</b>	<b>Page Reference</b>
01-000-TOC	DRIVE SYSTEM	01-000-TOC
02-000-TOC	HYDRAULIC SYSTEM	02-000-TOC
03-000-TOC	ELECTRICAL SYSTEM	03-000-TOC
04-000-TOC	BALE FEEDING SYSTEM	04-000-TOC
05-000-TOC	BALE FORMING SYSTEM	05-000-TOC
06-000-TOC	BALE KNOTTING SYSTEM	06-000-TOC
07-000-TOC	BALE EJECTING SYSTEM	07-000-TOC
08-000-TOC	CHASSIS	08-000-TOC
09-000-TOC	DECALS	09-000-TOC
10-000-TOC	AXLES, SPINDLES, AND WHEELS	10-000-TOC
11-000-TOC	BRAKE SYSTEM	11-000-TOC
12-000-TOC	ACCESSORIES	12-000-TOC

## DRIVE SYSTEM

Page Number	Page Title	Page Reference
01-0001	FILTER	2428837
01-0002	MAIN DRIVE	2428886
01-0003	SECONDARY DRIVE SHAFT	2429229
01-0004	PRIMARY DRIVE SHAFT - CE 1-3/4 INCH X 20 SPLINE WEASLER	2450639
01-0005	MOUNTING - GEARBOX	2429429
01-0006	MOUNTING - FLYWHEEL	2429553
01-0007	CLUTCH - FLYWHEEL	2429619
01-0008	BRAKE - FLYWHEEL	2430067
01-0009	AUXILIARY DRIVE - LEFT HAND	2430837
01-0010	AUXILIARY DRIVE - RIGHT HAND	2431892
01-0011	AUXILIARY DRIVE - RIGHT HAND CUTTER	2558783
01-0012	SHAFT AND SPROCKET - AUXILIARY	2431517
01-0013	SLIP CLUTCH - AUXILIARY	2432271
01-0014	DRIVE - CUTTER	2558784
01-0015	CLUTCH - CUTTER	2558785
01-0016	MOUNTING - GEARBOX CUTTER	2558786
01-0017	CHAIN LUBE - PACKER	2450831
01-0018	PUMP - CHAIN LUBE	2432324
01-0019	CHAIN LUBE - CUTTER	2558787

1290N / 1290S UD LARGE RECTANGULAR BALER  
23058134-H-1



---

Fendt

1290N / 1290S UD LARGE RECTANGULAR BALER

652353

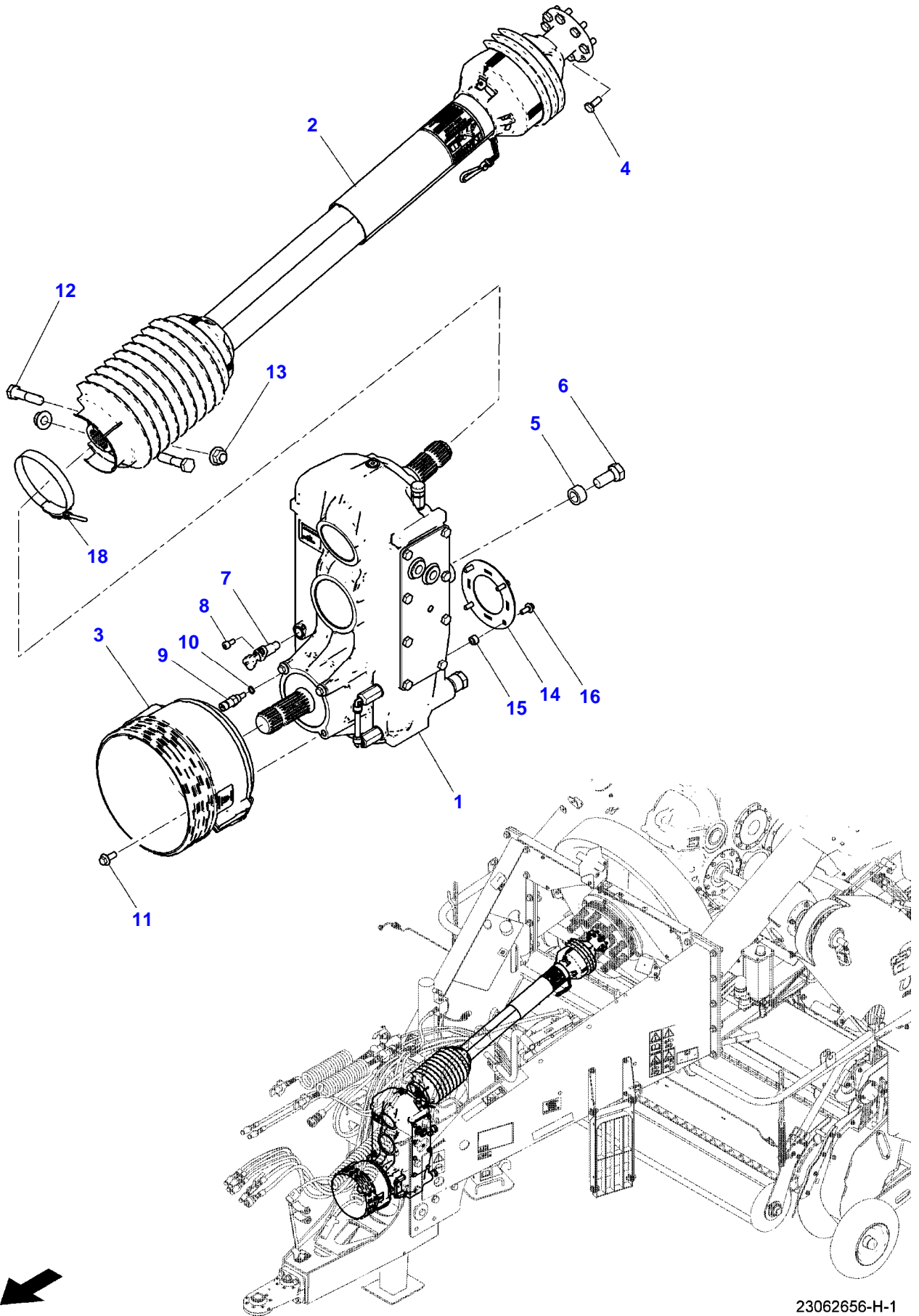
FILTER

Page01-0001

---

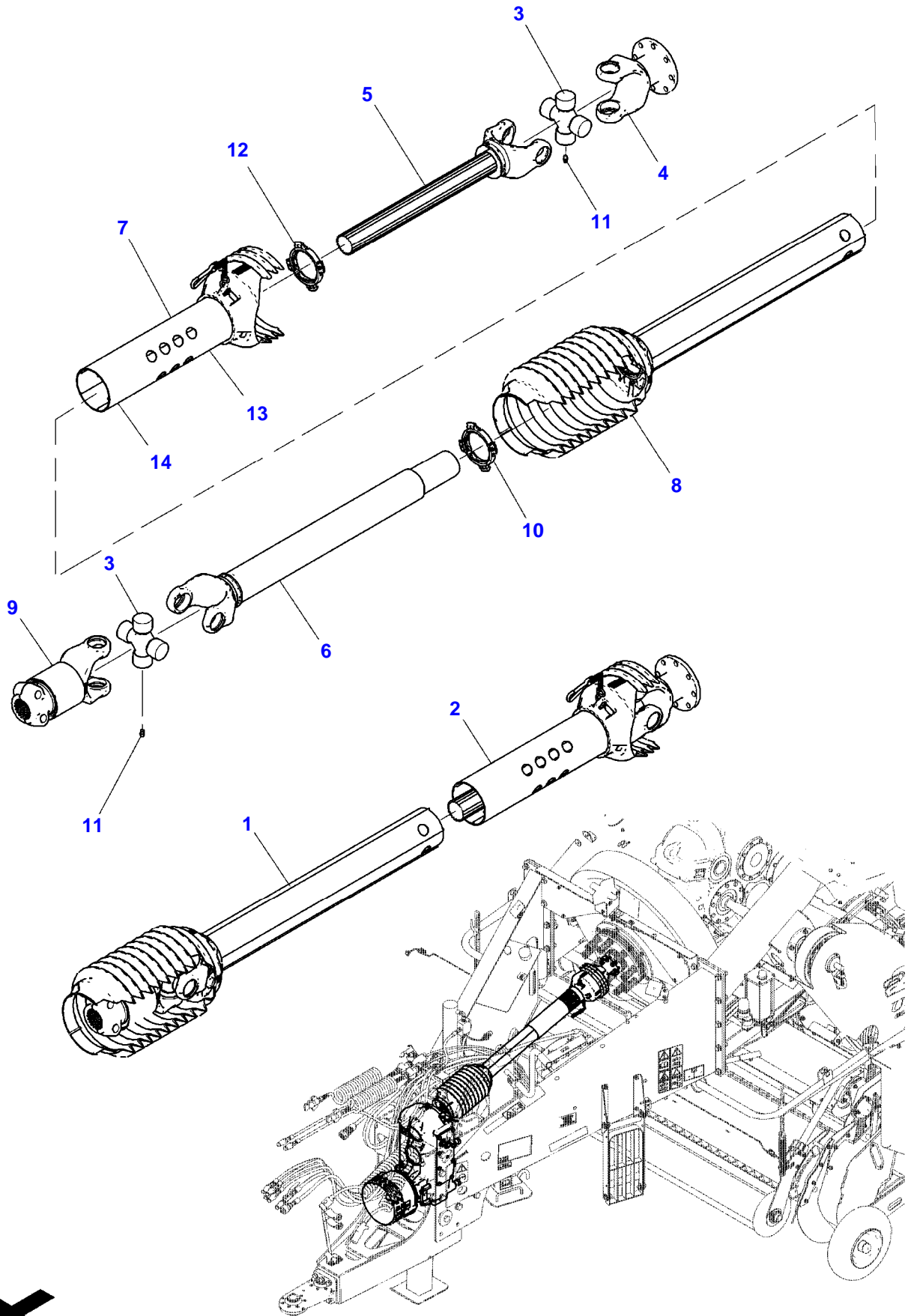
Item	Part Number	Qty	Description Comments
1	700738685	1	FILTER
	700738686	1	FILTER ELEMENT

1290N / 1290S UD LARGE RECTANGULAR BALER  
23062656-H-1



Item	Part Number	Qty	Description Comments	Technical Specification
1	700741190	1	GEARBOX	
2		1	SEE PAGE 01-0003	
3	700744198	1	CONE SHIELD	
4	ACW1045090	8	HEXAGONAL BOLT	DIN933 M10X1.5X25-10 FLZN1
5	700169683	4	SPACER	
6	ACW1044700	4	HEXAGONAL BOLT	ISO4017 M20X2.5X45-8 FLZN1
7	ACW053089A	1	SPEED SENSOR	90D
8	3009285X1	1	HEX SOCKET HEAD CAPSCREW	M8 X 16 (1.25) ISO 10.9 ZN
9	5015257M1	1	TEMPERATURE SENSOR.	
10	7040330	1	O-RING	0.414" X .072"
11	3009206X1	3	HEXAGON FLANGE BOLT	M10 X 25 (1.5) ISO 10.9 ZN
12	ACW1147980	2	HEXAGONAL BOLT	ISO4014 M16X2X75-10 FLZN1
13	ACW1027170	2	HEX FLANGE TOP LOCK NUT	ISO7044 M16X2-8 FLZN1
14	700188846	1	PLATE	
15	700145163	4	SPACER	16MM OD X 9MM W
16	3012152X1	4	HEXAGON FLANGE BOLT	M8 X 20 (1.25) ISO 8.8 ZN
18	71441560	1	T-BOLT CLAMP	5-1/4" ID

1290N / 1290S UD LARGE RECTANGULAR BALER  
23071328-H-1

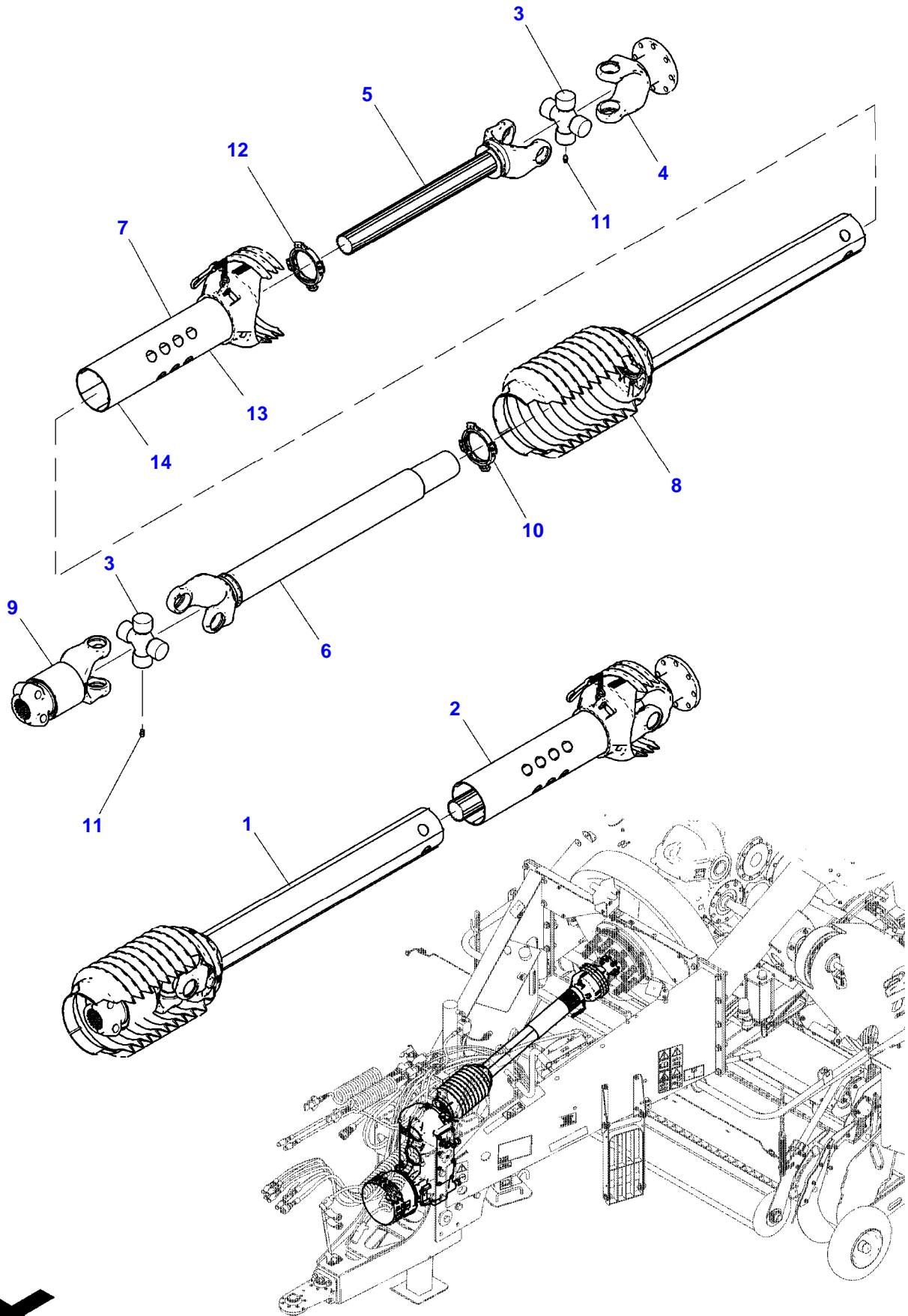


23071328-H-1

Item	Part Number	Qty	Description Comments	Technical Specification
1	700741193	1	YOKE TUBE	
2	700741192	1	YOKE SHAFT	
3	700724136	2	CROSS AND BEARING KIT	39MM DIA CAP, 109MM OL
4	700741194	1	YOKE	
5	700741195	1	YOKE SHAFT	
6	700741196	1	YOKE TUBE	
7	700741197	1	OUTER GUARD	
8	700741198	1	INNER GUARD	
9	700741199	1	VERRUNNING CLUTCH YOKE	
10	700737798	1	GUARD REPAIR KIT	
11	70923219	2	GREASE FITTING	1/4"-28
12	700722475	1	BEARING KIT	NYLON
13	700747135	1	DANGER DECAL, ROTATING DRIVELINE	134MM X 95MM
14	700746100	1	WARNING DECAL	



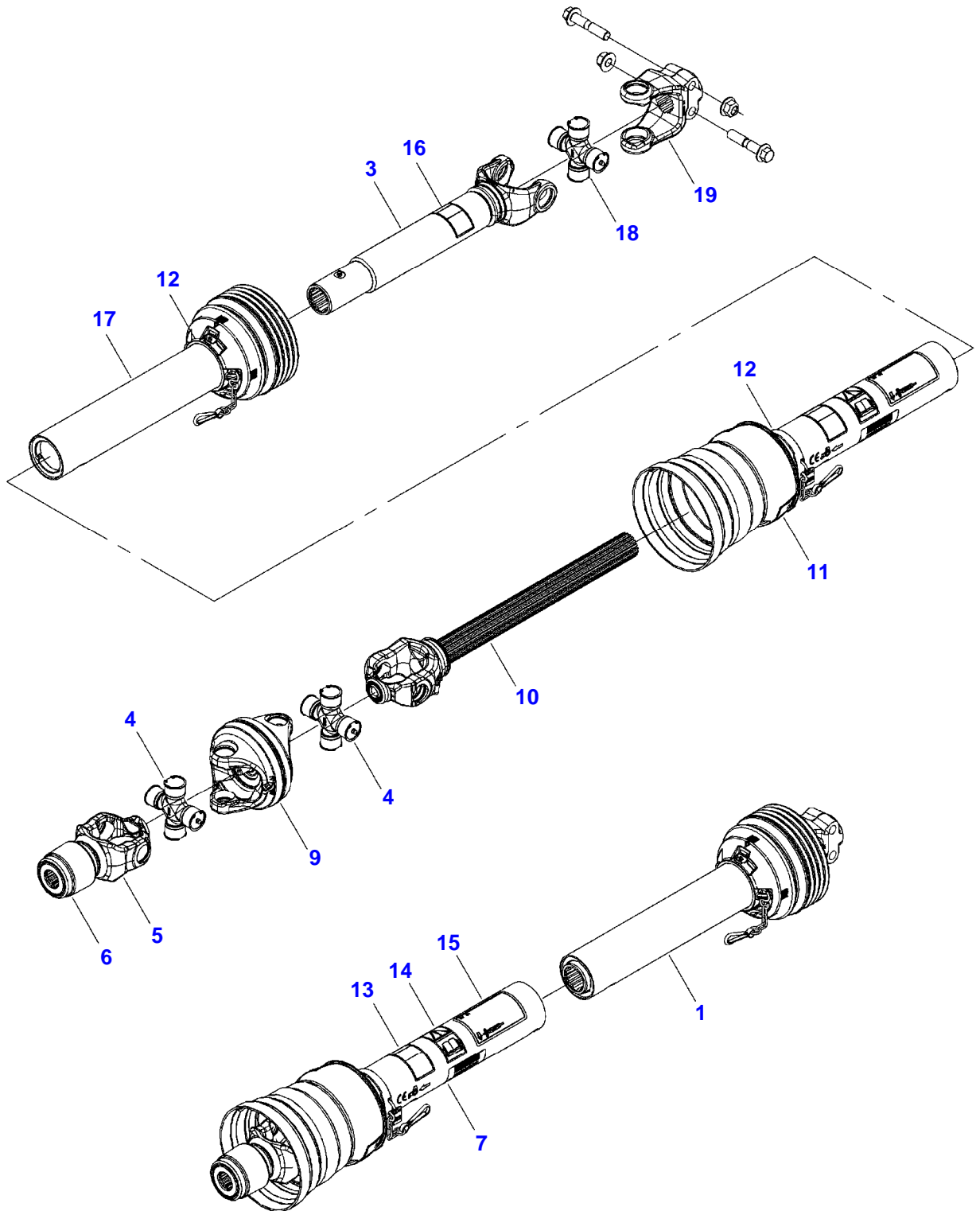
1290N / 1290S UD LARGE RECTANGULAR BALER  
23071328-H-1



23071328-H-1

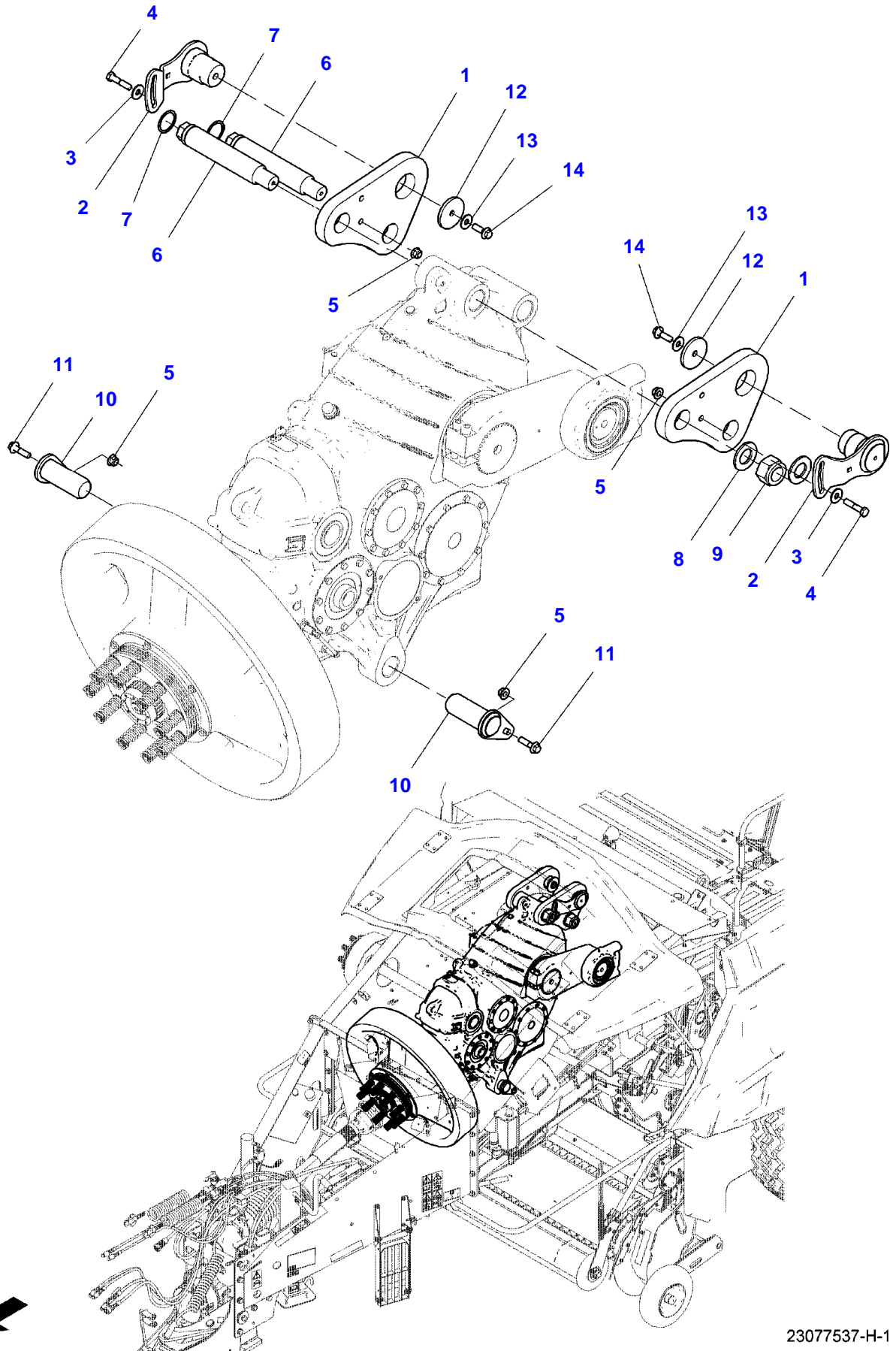
Item	Part Number	Qty	Description Comments	Technical Specification
1	700741193	1	YOKE TUBE	
2	700741192	1	YOKE SHAFT	
3	700724136	2	CROSS AND BEARING KIT	39MM DIA CAP, 109MM OL
4	700741194	1	YOKE	
5	700741195	1	YOKE SHAFT	
6	700741196	1	YOKE TUBE	
7	700741197	1	OUTER GUARD	
8	700741198	1	INNER GUARD	
9	700741199	1	OVERRUNNING CLUTCH YOKE	
10	700737798	1	GUARD REPAIR KIT	
11	70923219	2	GREASE FITTING	1/4"-28
12	700722475	1	BEARING KIT	NYLON
13	700747135	1	DANGER DECAL, ROTATING DRIVELINE	134MM X 95MM
14	700746100	1	WARNING DECAL	

1290N / 1290S UD LARGE RECTANGULAR BALER  
20153559-H-1



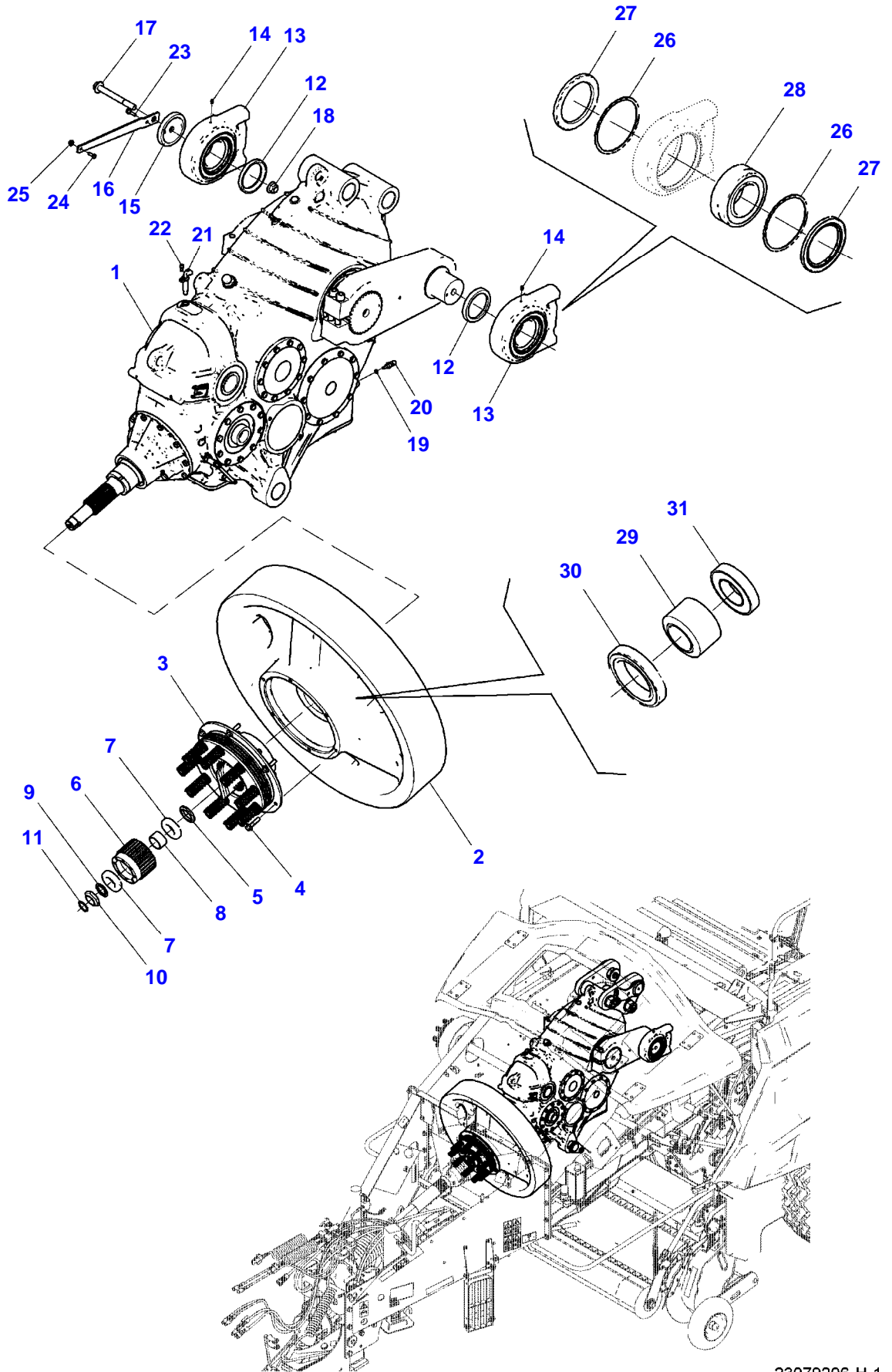
Item	Part Number	Qty	Description Comments	Technical Specification
			<b>1-3/4 INCH X 20 SPLINE WEASLER</b>	
1	700742395	1	PTO HALF SHAFT	1-3/4-20 SPLINE
3	700742403	1	YOKE TUBE	
4	700742398	2	CROSS PIECE	
5	700742396	1	YOKE	
6	700711425	1	REPAIR KIT	1-3/4" X 20 SPLINE
7	700742393	1	PTO HALF SHAFT	1-3/4-20 SPLINE
9	700736299	1	CONSTANT VELOCITY HOUSING	CENTER
10	700742399	1	YOKE AND SHAFT	
11	700742400	1	OUTER GUARD	
12	700723268	1	GUARD BUSHING KIT	NYLON
13	700747135	1	DANGER DECAL, ROTATING DRIVELINE	134MM X 95MM
14	700736303	1	WARNING DECAL, CE	CE
15	700742401	1	DECAL, LUBE	
16	700747136	1	DANGER DECAL, SHIELD MISSING	127MM X 87MM
17	700742402	1	INNER GUARD	
18	700724136	1	CROSS AND BEARING KIT	39MM DIA CAP, 109MM OL
19	700736740	1	YOKE	1-3/4", 20 SPLINE

1290N / 1290S UD LARGE RECTANGULAR BALER  
23077537-H-1



Item	Part Number	Qty	Description Comments	Technical Specification
1	700200230	2	MOUNTING PLATE	
2	700200471	2	PLATED PIN	
3	3019565X1	2	FLAT WASHER	M16 ZN
4	ACW1147980	2	HEXAGONAL BOLT	ISO4014 M16X2X75-10 FLZN1
5	ACW1027170	4	HEX FLANGE TOP LOCK NUT	ISO7044 M16X2-8 FLZN1
6	700200470	2	PLATED PIN	
7	AG520005	2	RETAINING RING	2-1/2"
8	700200469	2	SPECIAL WASHER	
9	ACW1040080	1	HEX TOP LOCK NUT	DIN985 M48X3-8 FLZN1
10	700200466	2	PLATED PIN	
11	ACW1041050	2	HEX FLANGE HEAD MACHINE SCREW	DIN6921 M16X2X60-10 FLZN1
12	700190473	2	PLATE	
13	700711165	2	FLAT WASHER	5/8"
14	ACW1041040	2	HEX FLANGE HEAD MACHINE SCREW	DIN6921 M16X2X50-10 FLZN1

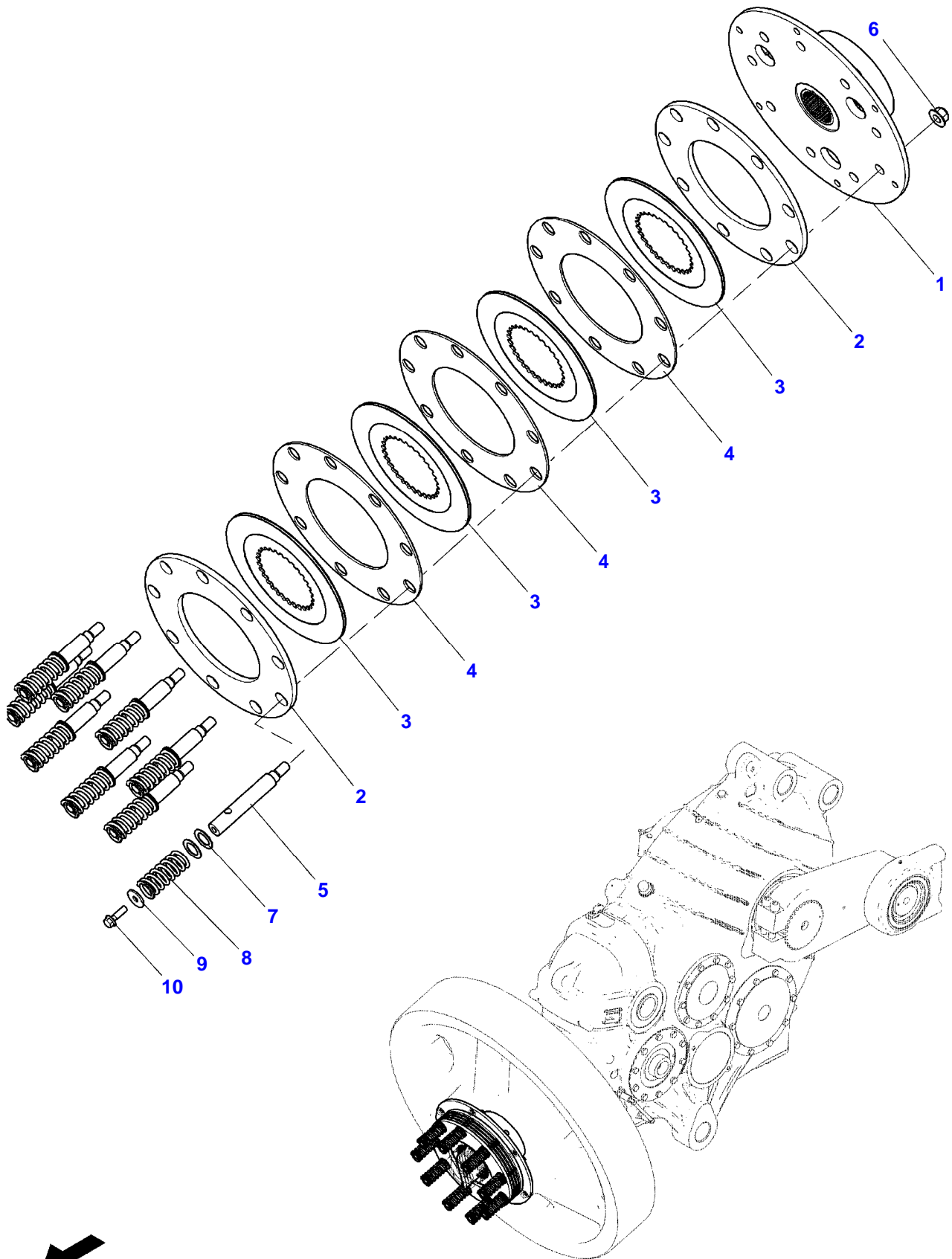
1290N / 1290S UD LARGE RECTANGULAR BALER  
23079296-H-1



Item	Part Number	Qty	Description Comments	Technical Specification
1	700741200	1	GEARBOX	
	ACP0438820	1	SHAFT SEAL	
	ACP0438830	1	OUTPUT SHAFT SHAFT SEAL	
	ACP0438840	1	INPUT SHAFT SHAFT SEAL	
	ACP0438850	1	UPPER SHAFT SEAL	
			LOWER	
2	700188799	1	FLYWHEEL	
3		1		
			SEE PAGE 01-0007	
4	ACW1040950	6	HEX FLANGE HEAD MACHINE SCREW	DIN6921 M12X1.75X50-10 FLZN1
5	700200075	1	SPACER	
6	700188802	1	COLLAR	
7	339601X1	2	BEAR. 6209 2RS	
8	700188803	1	PLATED SPACER	
9	700200076	1	WASHER	
10	700113661	1	NUT	
11	1003115M1	1	EXTERNAL RETAINING RING	S.D.: 1.500" - PH
12	700200465	2	PLATED SPACER	
13	700200073	2	BEARING ASSY	
14	70923219	2	GREASE FITTING	1/4"-28
15	700200464	1	PLATED SPACER	
16	700201795	1	ACTUATOR ARM	
17	3009268X1	1	HEXAGON FLANGE BOLT	M20 X 180 (2.5) ISO 10.9 ZN
18	ACW1027180	1	HEX FLANGE TOP LOCK NUT	ISO7044 M20X2.5-8 FLZN1
19	7040330	1	O-RING	0.414" X .072"
20	5015257M1	1	TEMPERATURE SENSOR.	
21	700742077	1	SPEED SENSOR	90D
22	ACW1047310	1	SOCKET HEAD SETSCREW	ISO4762 M8X1.25X16-10 FLZN1
23	ACW1041230	1	HEX FLANGE HEAD MACHINE SCREW	DIN6921 M8X1.25X30-8 FLZN1
24	ACW1044860	1	HEXAGONAL BOLT	ISO4017 M8X1.25X25-8 FLZN1
25	ACW1023930	1	HEX FLANGE NUT	EN1661 M8X1.25-10 FLZN1
26	700741129	2	RETAINING RING	
27	700741128	2	OIL SEAL	
28	700741127	1	SPHERICAL BEARING	
29	700201860	1	PLATED SPACER	
30	700741805	1	CYLINDRICAL BEARING	
31	700741189	1	CYLINDRICAL BEARING	

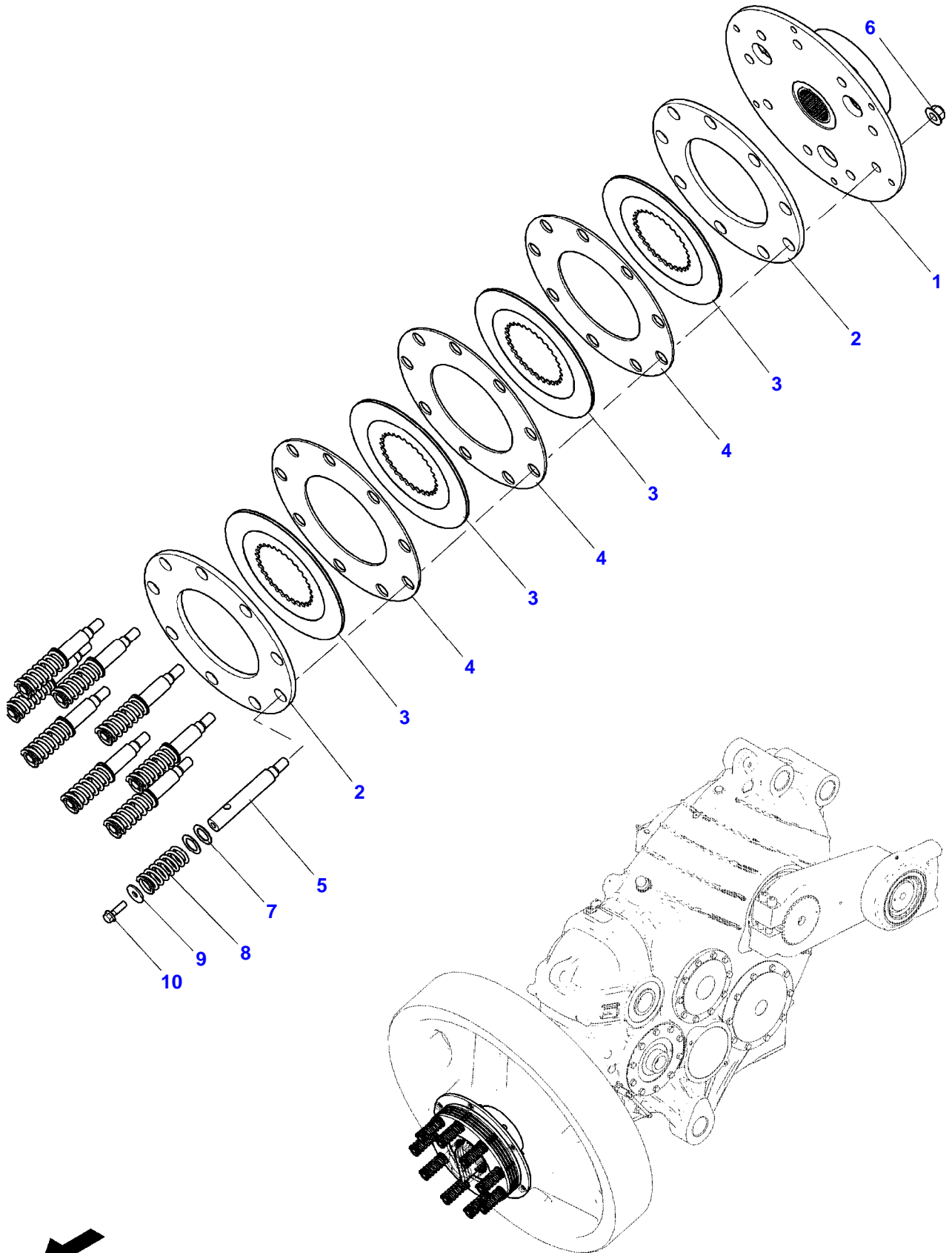


1290N / 1290S UD LARGE RECTANGULAR BALER  
23080369-H-1



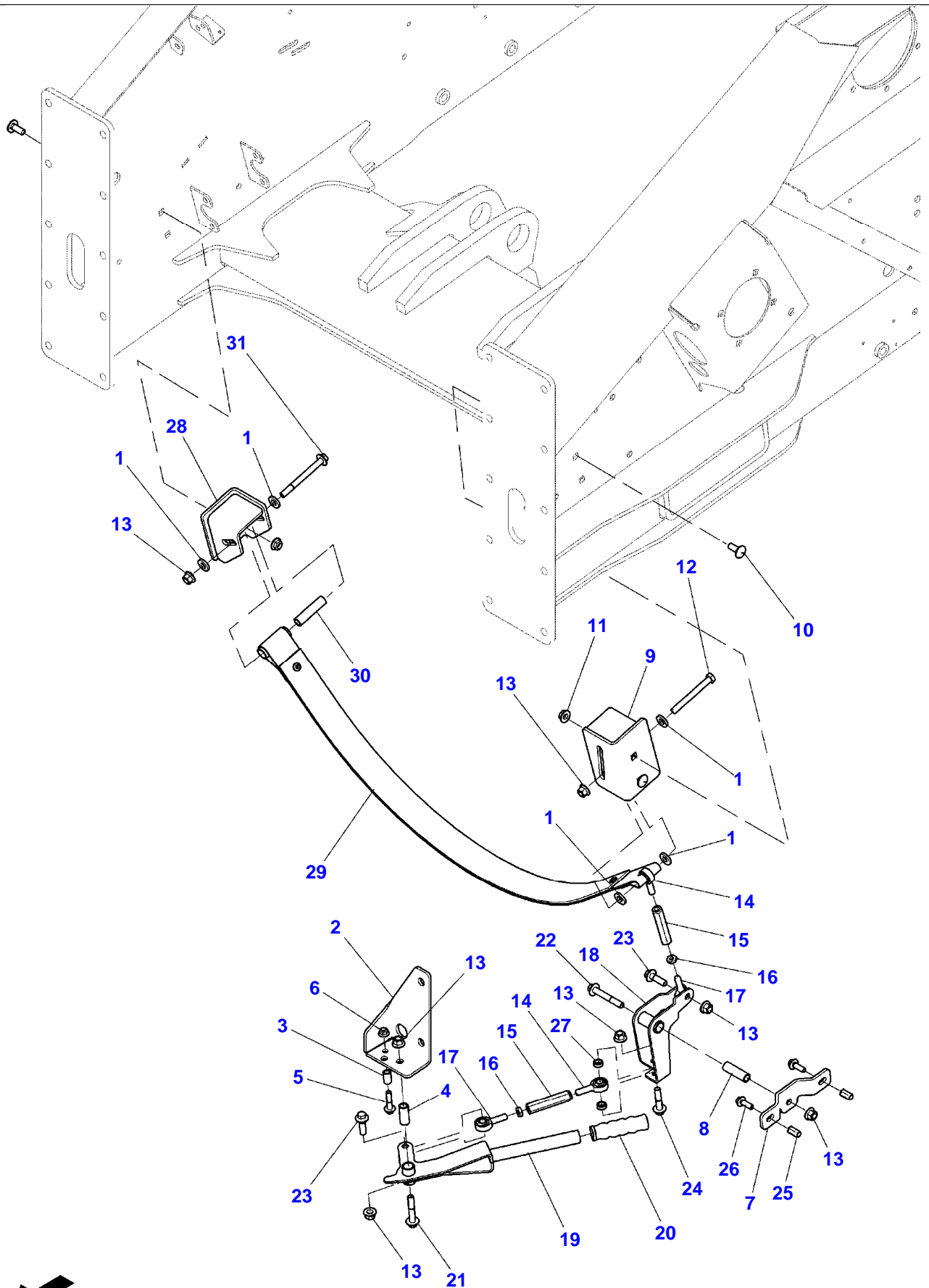
Item	Part Number	Qty	Description Comments	Technical Specification
1	700741170	1	CLUTCH	
2	700188808	2	CLUTCH PLATE	
3	700188811	4	FRICTION DISC	
4	700188812	3	CLUTCH PLATE	
5	700217249	9	GUIDE PIN	
6	ACW1027170	9	HEX FLANGE TOP LOCK NUT	ISO7044 M16X2-8 FLZN1
7	700717646	18	FLAT WASHER	1-1/32" X 1-9/16" X 1/16"
8	700737491	9	SPRING	
9	700717622	9	FLAT WASHER	10MM X 35MM
10	ACW1040800	9	HEX FLANGE HEAD MACHINE SCREW	DIN6921 M10X1.5X35-10 FLZN1

1290N / 1290S UD LARGE RECTANGULAR BALER  
23080369-H-1



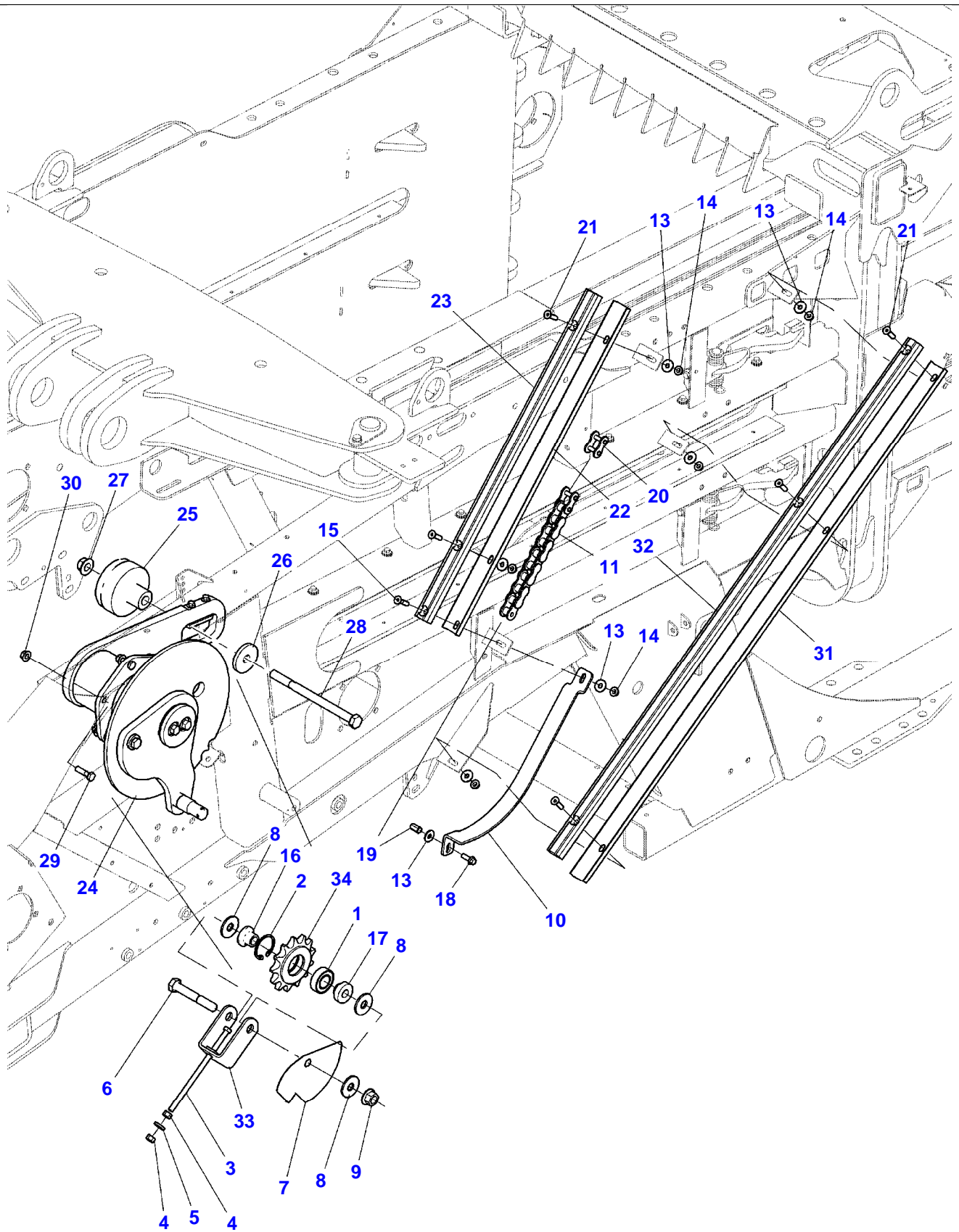
Item	Part Number	Qty	Description Comments	Technical Specification
1	700741170	1	CLUTCH	
2	700188808	2	CLUTCH PLATE	
3	700188811	4	FRICTION DISC	
4	700188812	3	CLUTCH PLATE	
5	700217249	9	GUIDE PIN	
6	ACW1027170	9	HEX FLANGE TOP LOCK NUT	ISO7044 M16X2-8 FLZN1
7	700717646	18	FLAT WASHER	1-1/32" X 1-9/16" X 1/16"
8	700737491	9	SPRING	
9	700717622	9	FLAT WASHER	10MM X 35MM
10	ACW1040800	9	HEX FLANGE HEAD MACHINE SCREW	DIN6921 M10X1.5X35-10 FLZN1

1290N / 1290S UD LARGE RECTANGULAR BALER  
23091066-H-1



Item	Part Number	Qty	Description Comments	Technical Specification
1	71432183	5	WASHER	M12 - 1/2
2	700202460	1	ANGLE	
3	700145745	1	BUSH	16MM OD X 25MM OL X 2.77MM WT
4	700202461	1	BUSH	
5	KG00474661	1	BOLT	M10-1.5 X 45MM CL8.8
6	5000029X1	1	HEX FLANGE LOCKNUT	M10 (1.5) ISO 8
7	700202462	1	SUPPORT	
8	700101751P	1	SPACER	
9	700201631	1	SUPPORT	
10	385390X1	4	ROUND HEAD SQUARE NECK CARRIAGE BOLT	M12 X 30 (1.75) ISO 8.8 ZN
11	3019126X1	4	HEX FLANGE NUT	M12 (1.75) ISO 10 ZN
12	391904X1	1	HEXAGONAL HEAD BOLT	M12 X 100 (1.75) ISO 10.9 ZN
13	5000030X1	7	HEX FLANGE LOCKNUT	M12 (1.75) ISO 8
14	700741116	2	ROD END, LEFT HAND	MALE, M12
15	700200785	2	HEX ROD	
16	3009696X1	2	HEX NUT	M12 (1.5) ISO 4 ZN
17	700741115	2	ROD END, RIGHT HAND	MALE, M12
18	700201634	1	PIVOT	
19	700202470	1	BRAKE LEVER	
20	27342	1	HANDLE GRIP	
21	3009227X1	1	HEXAGON FLANGE BOLT	M12 X 65 (1.75) ISO 10.9 ZN
22	3009229X1	1	HEXAGON FLANGE BOLT	M12 X 80 (1.75) ISO 10.9 ZN
23	3009222X1	2	HEXAGON FLANGE BOLT	M12 X 40 (1.75) ISO 10.9 ZN
24	3009225X1	1	HEXAGON FLANGE BOLT	M12 X 55 (1.75) ISO 10.9 ZN
25	350339321	2	BLIND RIVET NUT	HRIV M10 T 3-6 ST OP ZN8K+
26	3009207X1	2	HEXAGON FLANGE BOLT	M10 X 30 (1.5) ISO 10.9 ZN
27	71448146	2	BUSH	
28	700200835	1	SUPPORT	
29	700200832	1	BRAKE	
30	6524003	1	SPACER	19MM OD X 76M OL
31	3012193X1	1	HEXAGON FLANGE BOLT	M12 X 120 (1.75) ISO 8.8 ZN

1290N / 1290S UD LARGE RECTANGULAR BALER  
23104032-H-1



Item	Part Number	Qty	Description Comments	Technical Specification
1	K3538	1	BALL BEARING	1-1/4
2	1440479X1	1	INTERNAL RETAINING RING	Ø 62 MM PL
3	5000035X1	1	HEXAGONAL HEAD BOLT	M12 X 240 (1.75) ISO 8.8 ZN
4	ACW1026890	2	HEX NUT	ISO4032 M12X1.75-8 FLZN1
5	71432183	1	WASHER	M12 - 1/2
6	ACW1045070	1	HEXAGONAL BOLT	ISO4014 M20X2.5X130-10 FLZN1
7	700174796	1	IDLER SHIELD	
8	700711166	3	FLAT WASHER	3/4"
9	ACW1023970	1	HEX FLANGE NUT	EN1661 M20X2.5-10 FLZN1
10	700200457	1	SPORCKET CHAIN GUIDE	
11	700741298	1	ROLLER CHAIN	#100HS, 219P
13	700702916	7	FLAT WASHER	3/8"
14	ACW1027150	6	HEX NUT	ISO7044 M10X1.5-8 FLZN1
15	ACW1042060	1	SLOTTED FLAT COUNTERSUNK MACHINE SCREW	DIN7991 M10X1.5X45-10 FLZN1
16	700201625	1	PLATED SPACER	
17	700201626	1	PLATED SPACER	
18	ACW1040790	1	HEXAGON FLANGE BOLT	DIN6921 M10X1.5X30-10 FLZN1
19	350339321	1	BLIND RIVET NUT	HRIV M10 T 3-6 ST OP ZN8K+
20	700741299	1	CONNECTOR LINK	
21	ACW1042050	5	SLOTTED FLAT COUNTERSUNK MACHINE SCREW	DIN7991 M10X1.5X40-10 FLZN1
22	700145105	1	CHAIN GUIDE SUPPORT	
23	700201940	1	CHAIN GUIDE	#100 900MM
24	700200430	1	SHAFT SEE PAGE 01-0012	SPKT
25	700200444	1	BUSH	
26	700202451	1	CAP PLATE	
27	ACW1027180	1	HEX FLANGE TOP LOCK NUT	ISO7044 M20X2.5-8 FLZN1
28	ACW1044710	1	HEXAGONAL BOLT	ISO4014 M20X2.5X280-8 FLZN1
29	ACW1044760	6	HEXAGONAL BOLT	DIN931 M12X1.75X45-8 FLZN1
30	ACW1027160	6	HEX FLANGE TOP LOCK NUT	ISO7044 M12X1.75-8 FLZN1
31	700202452	1	GUIDE SUPPORT	1540MM
32	700741795	1	CHAIN GUIDE	#100 1540MM
33	700200997	1	CLEVIS	
34	700741972	1	SPROCKET	



Thank you so much for reading.  
Please click the “Buy Now!”  
button below to download the  
complete manual.



After you pay.

You can download the most  
perfect and complete manual in  
the world immediately.

Our support email:

[ebooklibonline@outlook.com](mailto:ebooklibonline@outlook.com)