

Page Number	Page Title	Page Reference
01-000-TOC	ENGINE V835477894 98 AWF-HLA/AXW3	01-000-TOC
02-000-TOC	ENGINE ACW7021510 98 LFVC	02-000-TOC
03-000-TOC	ENGINE INSTALLATION	03-000-TOC
04-000-TOC	DRIVE SYSTEM	04-000-TOC
05-000-TOC	AXLES	05-000-TOC
06-000-TOC	STEERING SYSTEM	06-000-TOC
07-000-TOC	DRIVE TRAIN SYSTEM	07-000-TOC
08-000-TOC	BRAKE SYSTEM	08-000-TOC
09-000-TOC	HYDRAULIC SYSTEM	09-000-TOC
10-000-TOC	ELECTRICAL SYSTEM	10-000-TOC
11-000-TOC	CAB	11-000-TOC
12-000-TOC	AIR CONDITIONING AND HEATING SYSTEM	12-000-TOC
13-000-TOC	CHASSIS	13-000-TOC
14-000-TOC	DECALS	14-000-TOC
15-000-TOC	WHEELS	15-000-TOC
16-000-TOC	FEEDING SYSTEM	16-000-TOC
17-000-TOC	THRESHING SYSTEM	17-000-TOC
18-000-TOC	CLEANING SYSTEM	18-000-TOC
19-000-TOC	GRAIN BIN AND ELEVATOR SYSTEM	19-000-TOC
20-000-TOC	DISCHARGE SYSTEM	20-000-TOC
21-000-TOC	PRECISION FARMING SYSTEMS	21-000-TOC
22-000-TOC	ACCESSORIES	22-000-TOC

Page Number	Page Title	Page Reference
01-0001	ENGINE ASSEMBLIES	1MDL2249272
01-0002	CYLINDER BLOCK - UP TO ENGINE SERIAL NUMBER E62506 - HYDRAULIC LASH ADJUSTMENT	1MDL2428182
01-0003	CYLINDER BLOCK - STARTING FROM ENGINE SERIAL NUMBER E62507 - HYDRAULIC LASH ADJUSTMENT	1MDL2428183
01-0004	CYLINDER BLOCK - SERVICE PARTS	1MDL2247524
01-0005	TIMING GEARS AND HOUSING	1MDL2238208
01-0006	FLYWHEEL AND HOUSING	1MDL2241615
01-0007	CRANKSHAFT AND PISTONS	1MDL2241909
01-0008	CAMSHAFT AND VALVE MECHANISM - HYDRAULIC LASH ADJUSTMENT	1MDL2242032
01-0009	VALVE MECHANISM - SERVICE PARTS	1MDL2243321
01-0010	VALVE MECHANISM - SERVICE PARTS	1MDL2243322
01-0011	CYLINDER HEAD	1MDL2429073
01-0012	CYLINDER HEAD - SERVICE PARTS	1MDL2429903
01-0013	CYLINDER HEAD - SERVICE PARTS	1MDL2429904
01-0014	VALVE ROCKER COVER	1MDL2242127
01-0015	INTAKE MANIFOLD	1MDL2242370
01-0016	EXHAUST MANIFOLD - UP TO ENGINE SERIAL NUMBER E62506	1MDL2429074
01-0017	EXHAUST MANIFOLD - STARTING FROM ENGINE SERIAL NUMBER E62507	1MDL2429075
01-0018	HIGH PRESSURE TURBOCHARGER	1MDL2244671
01-0019	HIGH PRESSURE TURBOCHARGER - SERVICE PARTS	1MDL2244673
01-0020	LOW PRESSURE TURBOCHARGER	1MDL2244884
01-0021	INTERSTAGE CHARGE AIR COOLER (ICAC)	1MDL2431894
01-0022	EXHAUST GAS RECIRCULATION (EGR)	1MDL2244969
01-0023	OIL PUMP AND SUMP	1MDL2245225
01-0024	OIL PUMP - SERVICE PARTS	1MDL2245226
01-0025	OIL COOLER AND FILTER	1MDL2245264
01-0026	CLOSED CRANKCASE VENTILATION (CCV)	1MDL2245349
01-0027	CCV UNIT - SERVICE PARTS	1MDL2245372
01-0028	COOLANT PUMP AND THERMOSTAT	1MDL2245694
01-0029	COOLANT PUMP - SERVICE PARTS	1MDL2245697
01-0030	FUEL INJECTION SYSTEM	1MDL2245731
01-0031	FUEL INJECTION PUMP - SERVICE PARTS	1MDL2245733
01-0032	FUEL FILTERS	1MDL2246272
01-0033	FUEL FILTERS - SERVICE PARTS - ENGINE TYPE AWF	1MDL2246323
01-0034	FUEL FILTERS - SERVICE PARTS - ENGINE TYPE AXW3	1MDL2247269
01-0035	ELECTRONIC ENGINE MANAGEMENT	1MDL2246769
01-0036	FAN DRIVE	1MDL2246777
01-0037	FAN DRIVE - SERVICE PARTS	1MDL2246778
01-0038	EXHAUST AFTERTREATMENT - SERVICE PARTS - ENGINE TYPE AXW3	1MDL2429077
01-0039	EXHAUST AFTERTREATMENT - SERVICE PARTS - ENGINE TYPE AWF	1MDL2246816
01-0040	ENGINE OVERHAUL PARTS	1MDL2435568
01-0041	SPECIAL OVERHAUL PARTS	1MDL2247108

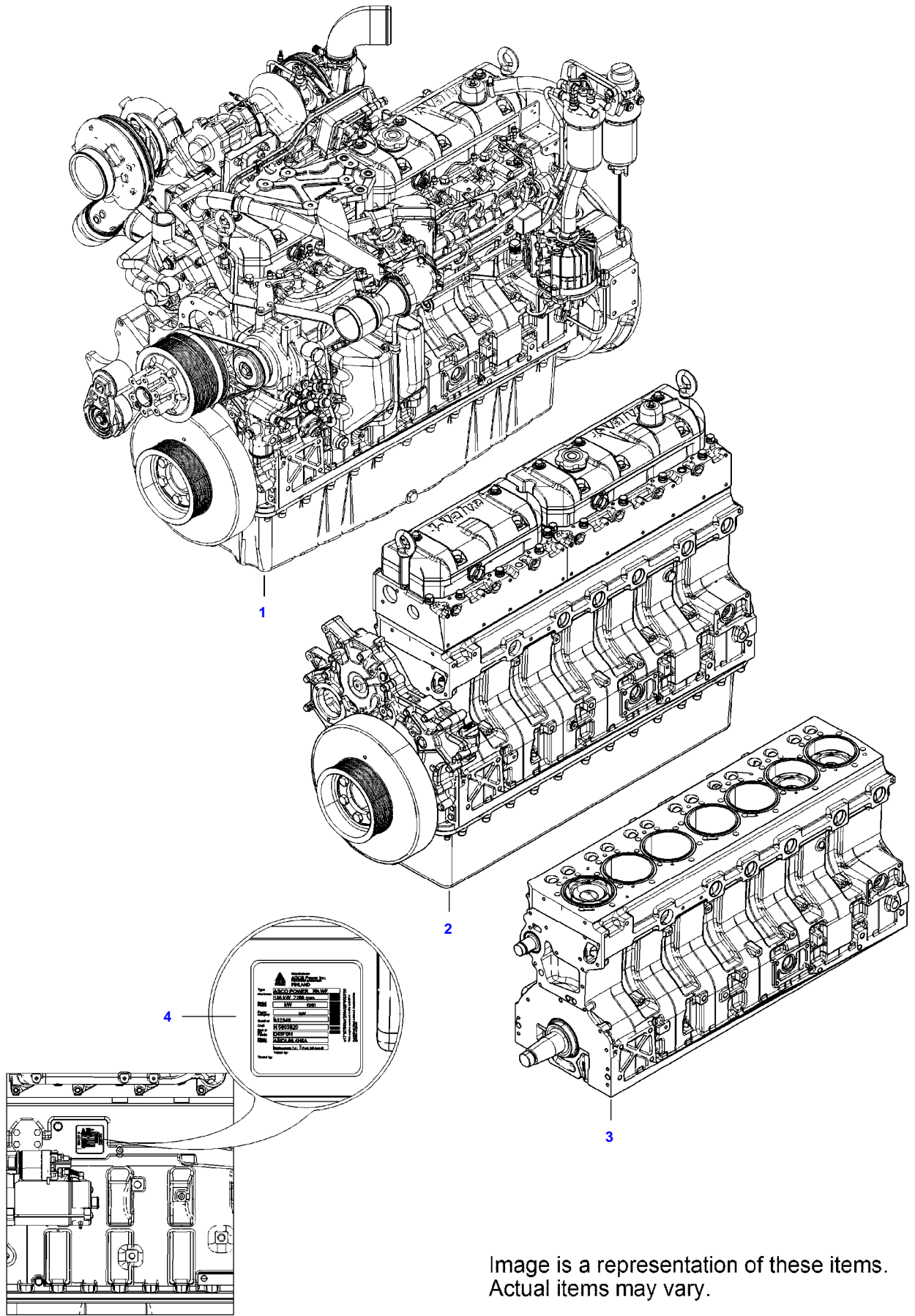
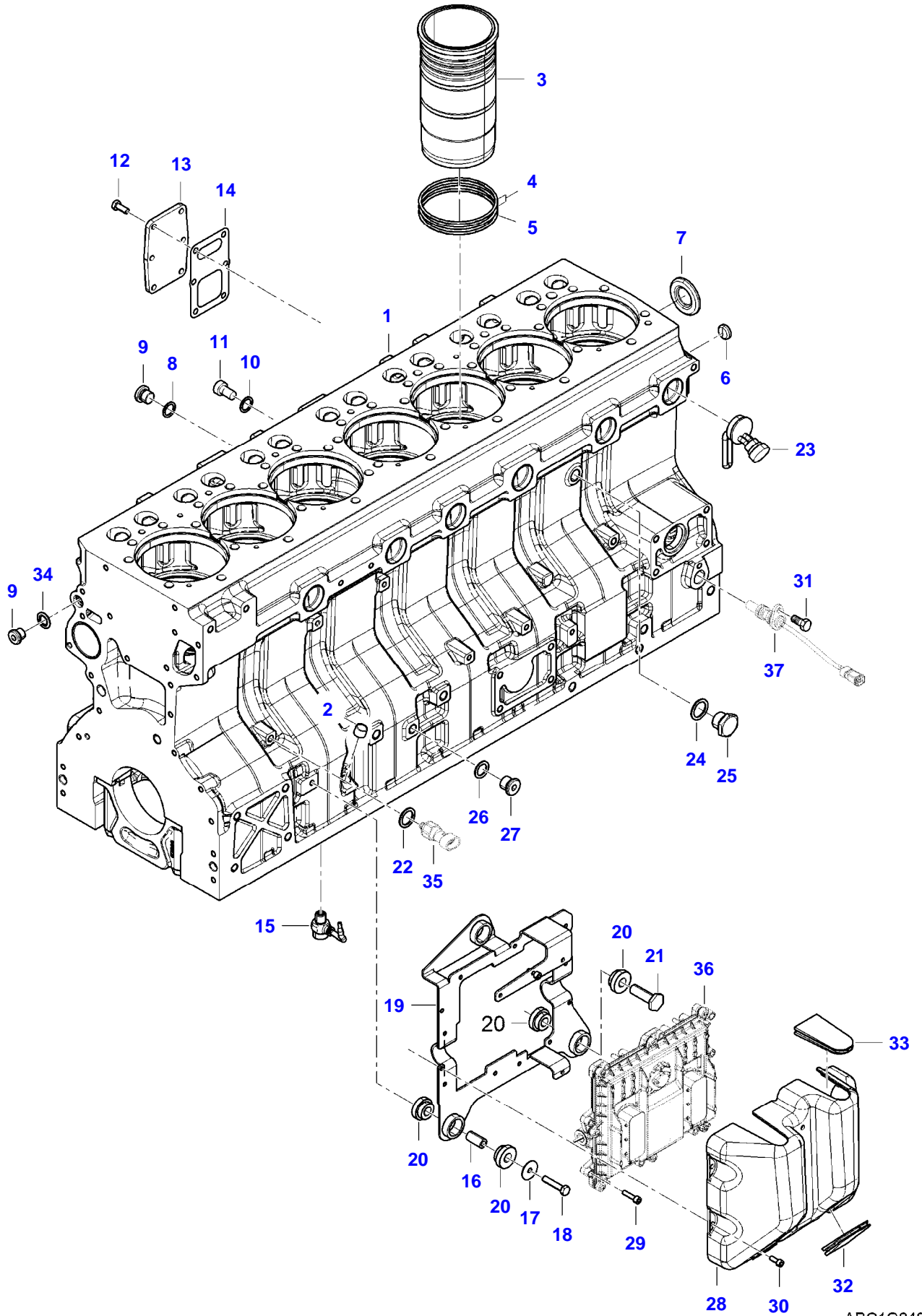


Image is a representation of these items.
Actual items may vary.

Item	Part Number	Qty	Description Comments	Technical Specification
1	V835477894	1	ENGINE	98 AWF-HLA/AXW3
2	865491667V	1	LONG BLOCK ENGINE	98 AWF-HLA/LFVC
3	865491613X	1	SHORT BLOCK ENGINE	98 AWF-HLA/LFVC
4	V837079921	1	LABEL ENGINE TYPE PLATE	

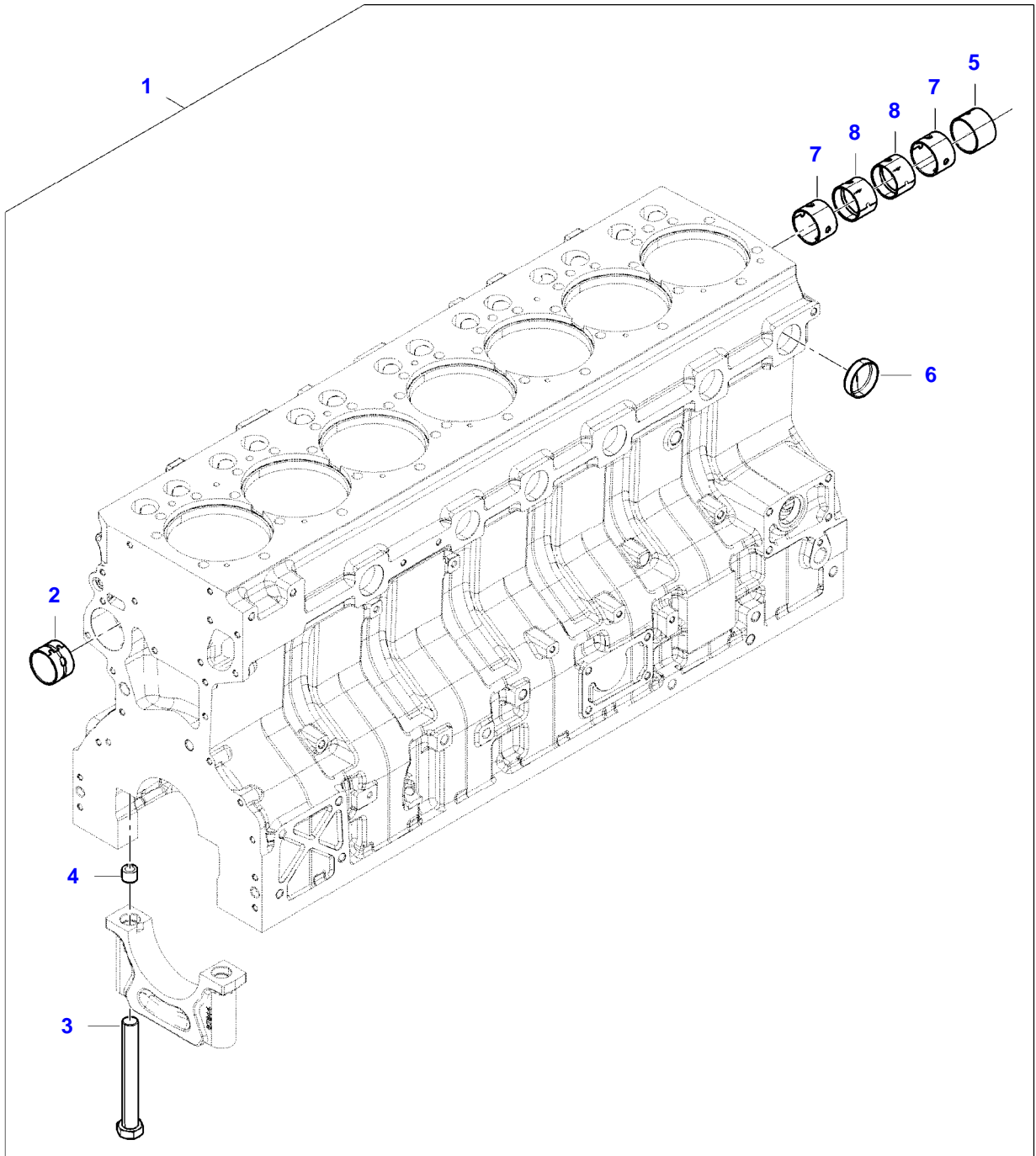
IDEAL 7 COMBINE (2019) (ZN2G0007V03020001-999)
APG1G2493



HYDRAULIC LASH ADJUSTMENT

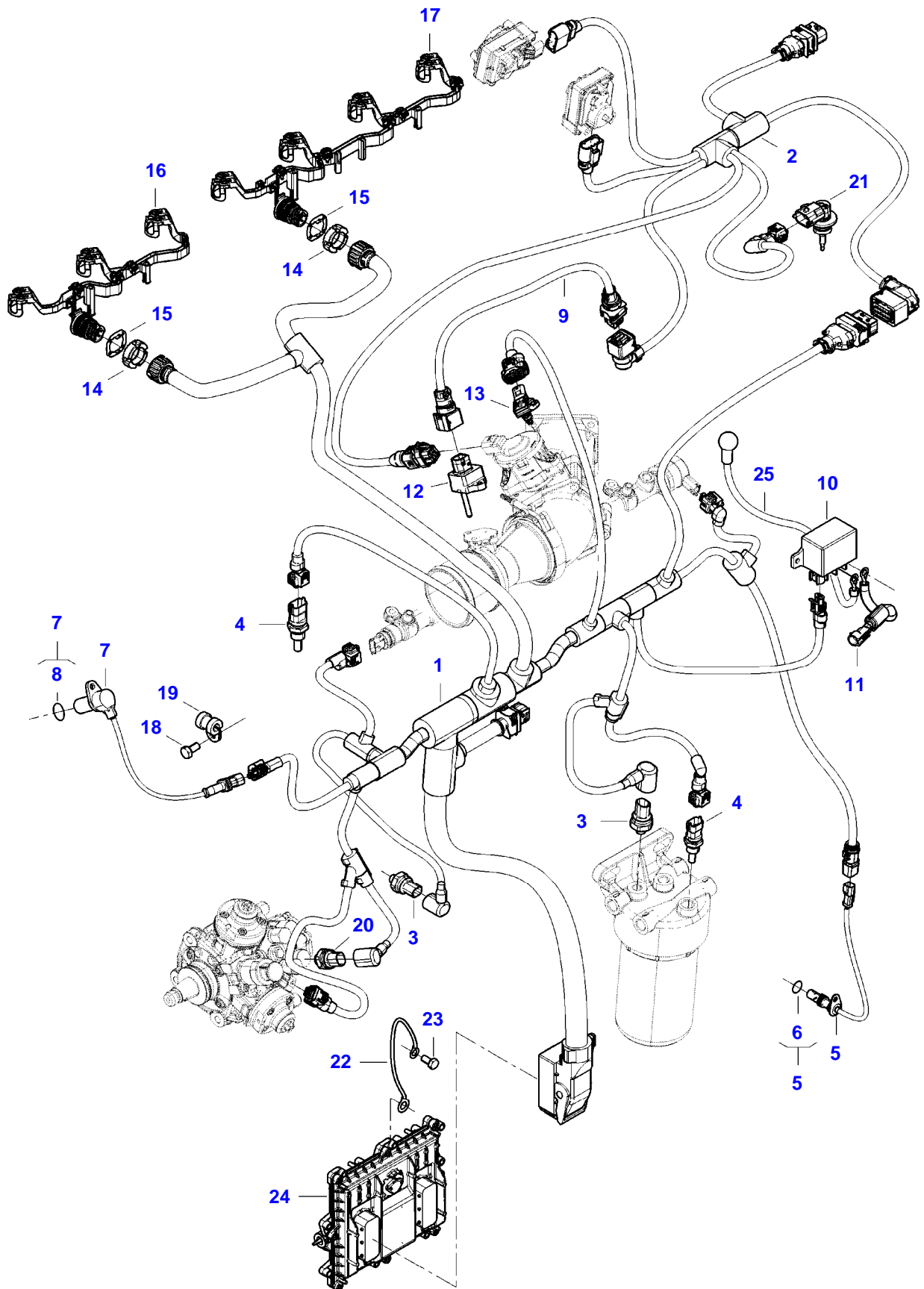
Item	Part Number	Qty	Description Comments	Technical Specification
1	V837086429	1	CYLINDER BLOCK SEE PAGE 01-0004	98 AWF-HLA/LFVC
2	V640016012	1	CUP PLUG	
3	V836867048	7	LINER	
4	V836855446	14	CYLINDER LINER O-RING [B]	
5	V836855447	7	CYLINDER LINER O-RING [B]	
6	V640016016	2	CUP PLUG [B]	
7	V836852744	1	PLUG	
8	V615871014	6	SEALING WASHER [B]	
9	V640325110	8	SCREW PLUG	
10	V836684767	1	SEALING WASHER	
11	V581804570	1	HEX SOCKET SCREW	
12	V528801382	6	HEX CAP SCREW	
13	V836846444	1	COVER	
14	V836322852	1	GASKET [B]	
15	V837084973	7	PISTON COOLING JET	
16	V836855626	2	SPACER	
17	V500750842	2	WASHER	
18	V529801430	2	HEX CAP SCREW	
19	V837084081	1	ECU BRACKET	
20	V837084129	6	DAMPER	
21	V837069056	1	HEX CAP SCREW	
22	V615871016	1	SEALING WASHER [B]	
23	V836840934	1	ENGINE BLOCK HEATER	
24	V615881824	1	SEALING WASHER [B]	
25	V836019756	1	PLUG	
26	V615881420	1	SEALING WASHER [B]	
27	V640325014	1	PLUG	
28	V837084080	1	COVER	
29	V581804222	8	HEX SOCKET SCREW	
30	V581804182	6	HEX SOCKET SCREW	
31	V528801362	1	HEX CAP SCREW	
32	V837084661	1	SHIELD	
33	V837084136	2	SHIELD	
34	V836684768	2	SEALING WASHER [B]	
35		1	SEE PAGE 01-0035	
36		1	SEE PAGE 01-0035	
37		1	SEE PAGE 01-0035 [B] INCLUDED IN COMPLETE ENGINE GASKET KIT 2	

IDEAL 7 COMBINE (2019) (ZN2G0007V03020001-999)
APG1G2550



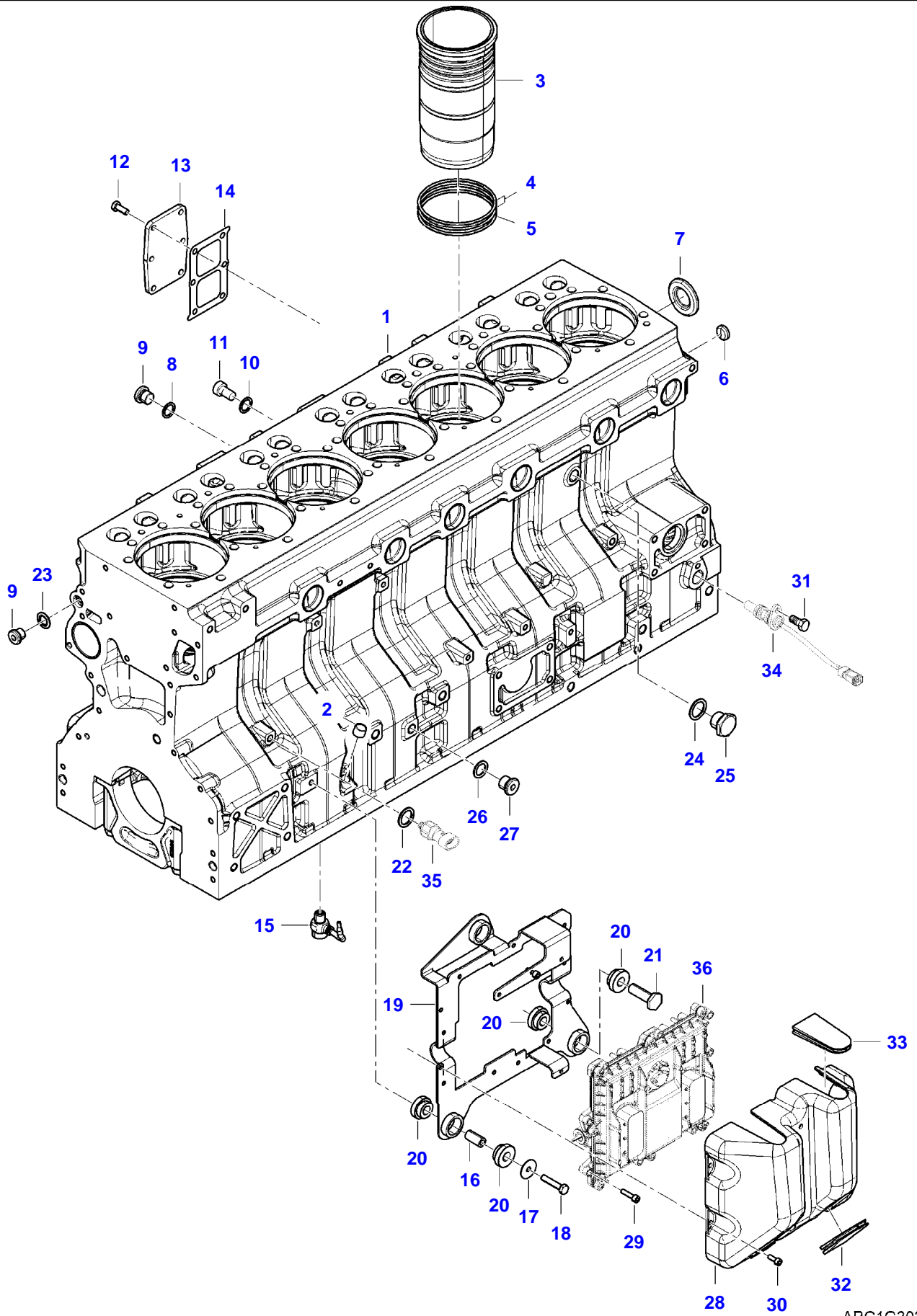
Item	Part Number	Qty	Description Comments	Technical Specification
1	V837086429	1	CYLINDER BLOCK INCLUDES ITEMS 2-8	98 AWF-HLA/LFVC
2	V836866069	1	CAMSHAFT BEARING BUSHING	
3	V835329030	16	HEX CAP SCREW	
4	V836214478	16	GUIDE SLEEVE	
5	V836852461	1	CAMSHAFT BEARING BUSHING	
6	V640016040	6	CUP PLUG	
7	V836852460	2	CAMSHAFT BEARING BUSHING	
8	V837086315	2	CAMSHAFT BEARING BUSHING	

IDEAL 7 COMBINE (2019) (ZN2G0007V03020001-999)
APG20G2543



Item	Part Number	Qty	Description Comments
1	ACW2275730	1	ENGINE WIRE HARNESS
2	ACW2342280	1	ENGINE WIRE HARNESS
3	V837070201	2	PRESSURE SENSOR
4	V836667732	2	TEMPERATURE SENSOR
5	ACW0830170	1	CRANKSHAFT SPEED SENSOR INCLUDES ITEMS 6
6	V837091429	2	O-RING
7	V837070189	1	SPEED SENSOR INCLUDES ITEMS 8
8	V614601718	1	O-RING
9	V837084708	1	WIRE
10	V837069047	1	RELAY
11	V837073594	1	WIRE
12	V837074737	1	MASS AIR FLOW SENSOR (MAF)
13	V837084326	1	BOOST PRESSURE SENSOR
14	V837073921	2	LOCKING RING
15	V837073922	2	LOCKING PLATE
16	V837084141	1	ENGINE WIRE HARNESS
17	V837074692	1	ENGINE WIRE HARNESS
18	V528801362	2	HEX CAP SCREW
19	V602060610	1	RETAINER CLAMP
20	V837070209	1	PRESSURE SENSOR
21	V837074507	1	TEMPERATURE SENSOR
22	V837070292	1	GROUND WIRE
23	V528801342	1	HEX CAP SCREW
24	V837074863	1	ENGINE CONTROL UNIT
25	V837084201	1	WIRE

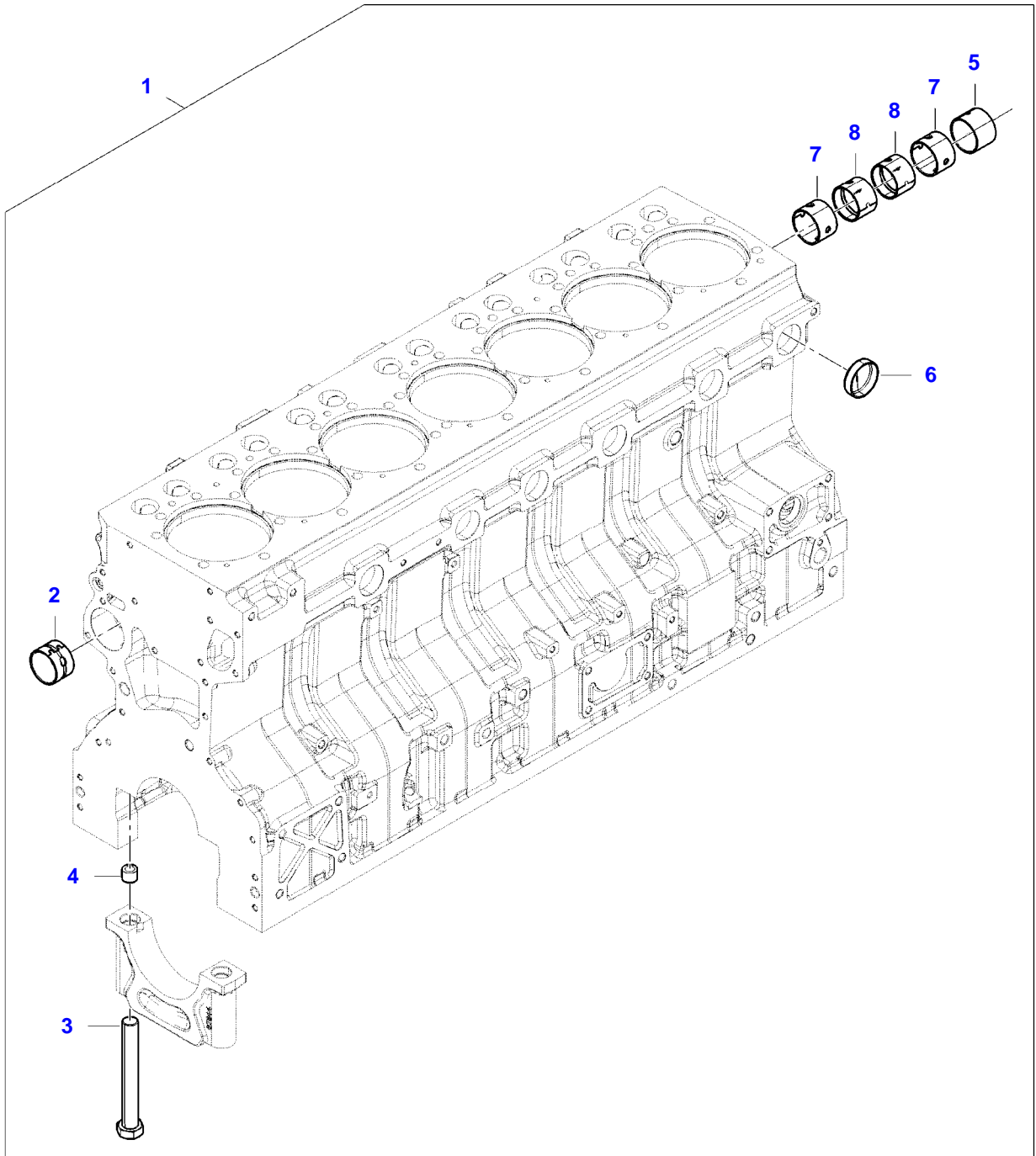
IDEAL 7 COMBINE (2019) (ZN2G0007V03020001-999)
APG1G3023



HYDRAULIC LASH ADJUSTMENT

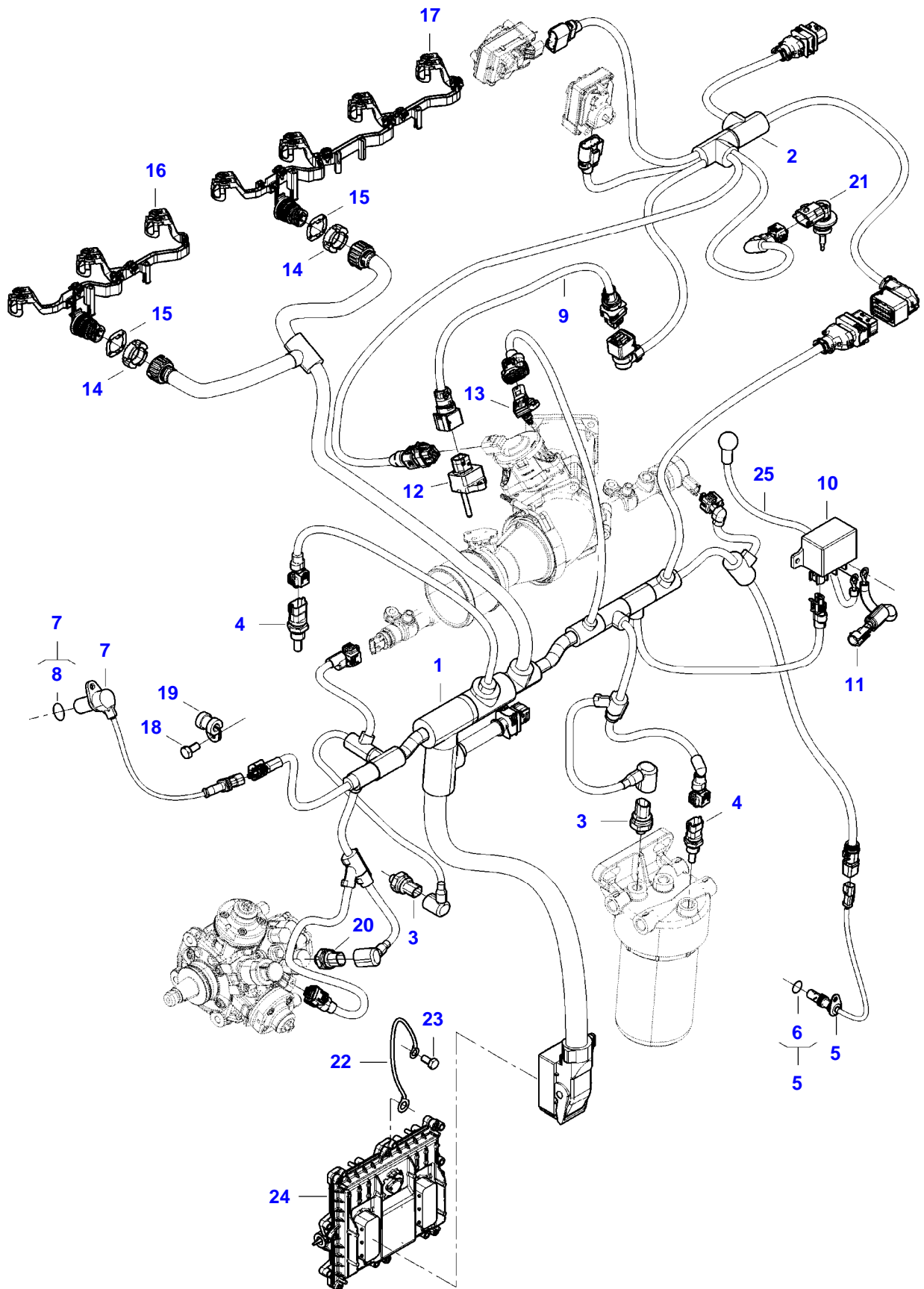
Item	Part Number	Qty	Description Comments	Technical Specification
1	V837086429	1	CYLINDER BLOCK SEE PAGE 01-0004	98 AWF-HLA/LFVC
2	V640016012	1	CUP PLUG	
3	V836867048	7	LINER	
4	V836855446	14	CYLINDER LINER O-RING [B]	
5	V836855447	7	CYLINDER LINER O-RING [B]	
6	V640016016	2	CUP PLUG [B]	
7	V836852744	1	PLUG	
8	V615871014	6	SEALING WASHER [B]	
9	V640325110	8	SCREW PLUG	
10	V836684767	1	SEALING WASHER	
11	V581804572	1	HEX SOCKET SCREW	
12	V528801382	6	HEX CAP SCREW	
13	V836846444	1	COVER	
14	ACW5174780	1	GASKET [B]	
15	V837084973	7	PISTON COOLING JET	
16	V836855626	2	SPACER	
17	V501950842	2	WASHER	
18	V529801432	2	HEX CAP SCREW	
19	V837084081	1	ECU BRACKET	
20	V837084129	6	DAMPER	
21	V837069056	1	HEX CAP SCREW	
22	V615871016	1	SEALING WASHER [B]	
23	V836684768	2	SEALING WASHER [B]	
24	V615881824	1	SEALING WASHER [B]	
25	V836019756	1	PLUG	
26	V615881420	1	SEALING WASHER [B]	
27	V640325014	1	PLUG	
28	V837084080	1	COVER	
29	V581804222	8	HEX SOCKET SCREW	
30	V581804182	6	HEX SOCKET SCREW	
31	V528801362	1	HEX CAP SCREW	
32	V837084661	1	SHIELD	
33	V837084136	2	SHIELD	
34		1	SEE PAGE 01-0035	
35		1	SEE PAGE 01-0035	
36		1	SEE PAGE 01-0035 [B] INCLUDED IN COMPLETE ENGINE GASKET KIT 2	

IDEAL 7 COMBINE (2019) (ZN2G0007V03020001-999)
APG1G2550



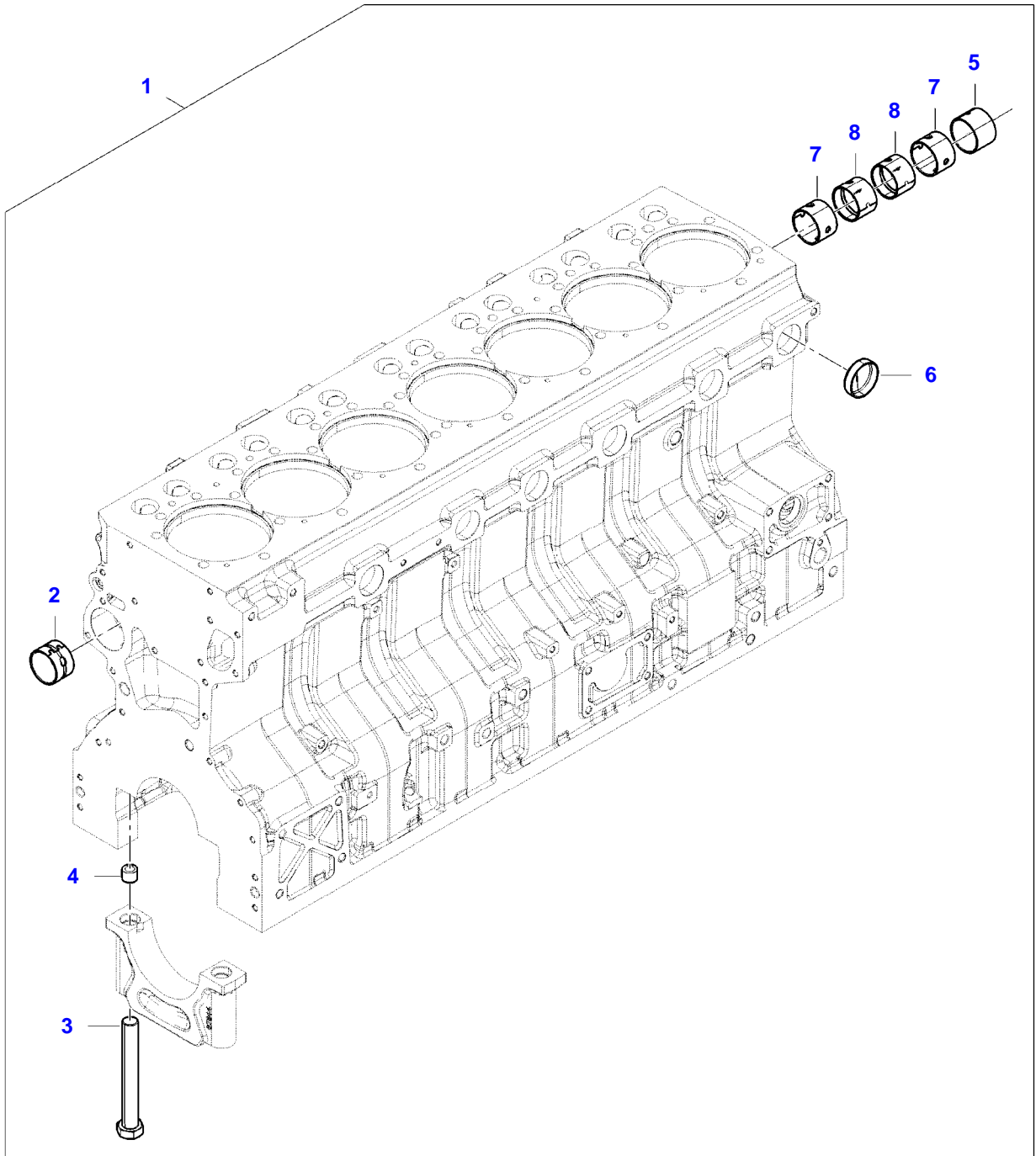
Item	Part Number	Qty	Description Comments	Technical Specification
1	V837086429	1	CYLINDER BLOCK INCLUDES ITEMS 2-8	98 AWF-HLA/LFVC
2	V836866069	1	CAMSHAFT BEARING BUSHING	
3	V835329030	16	HEX CAP SCREW	
4	V836214478	16	GUIDE SLEEVE	
5	V836852461	1	CAMSHAFT BEARING BUSHING	
6	V640016040	6	CUP PLUG	
7	V836852460	2	CAMSHAFT BEARING BUSHING	
8	V837086315	2	CAMSHAFT BEARING BUSHING	

IDEAL 7 COMBINE (2019) (ZN2G0007V03020001-999)
APG20G2543



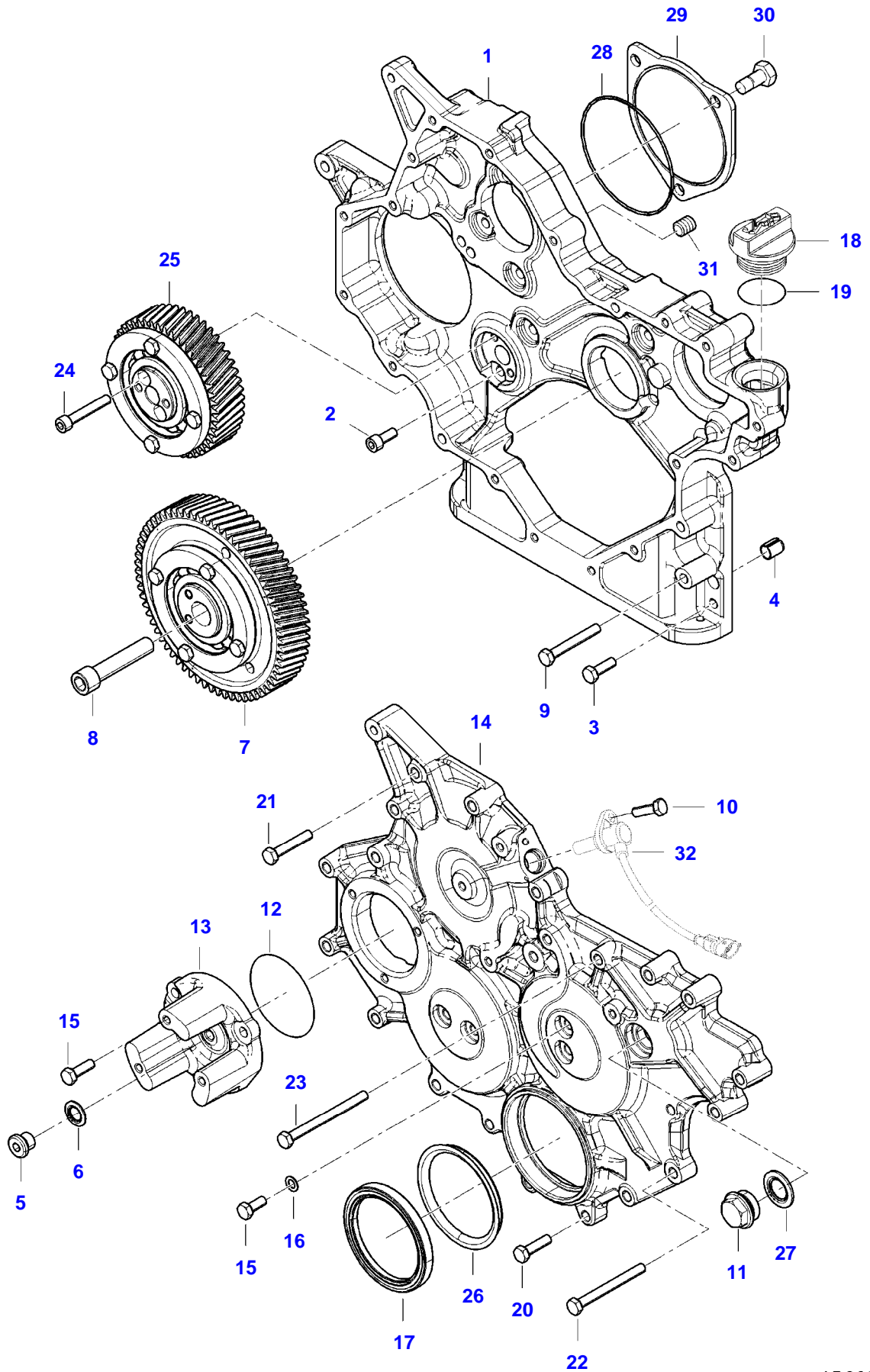
Item	Part Number	Qty	Description Comments
1	ACW2275730	1	ENGINE WIRE HARNESS
2	ACW2342280	1	ENGINE WIRE HARNESS
3	V837070201	2	PRESSURE SENSOR
4	V836667732	2	TEMPERATURE SENSOR
5	ACW0830170	1	CRANKSHAFT SPEED SENSOR INCLUDES ITEMS 6
6	V837091429	2	O-RING
7	V837070189	1	SPEED SENSOR INCLUDES ITEMS 8
8	V614601718	1	O-RING
9	V837084708	1	WIRE
10	V837069047	1	RELAY
11	V837073594	1	WIRE
12	V837074737	1	MASS AIR FLOW SENSOR (MAF)
13	V837084326	1	BOOST PRESSURE SENSOR
14	V837073921	2	LOCKING RING
15	V837073922	2	LOCKING PLATE
16	V837084141	1	ENGINE WIRE HARNESS
17	V837074692	1	ENGINE WIRE HARNESS
18	V528801362	2	HEX CAP SCREW
19	V602060610	1	RETAINER CLAMP
20	V837070209	1	PRESSURE SENSOR
21	V837074507	1	TEMPERATURE SENSOR
22	V837070292	1	GROUND WIRE
23	V528801342	1	HEX CAP SCREW
24	V837074863	1	ENGINE CONTROL UNIT
25	V837084201	1	WIRE

IDEAL 7 COMBINE (2019) (ZN2G0007V03020001-999)
APG1G2550



Item	Part Number	Qty	Description Comments	Technical Specification
1	V837086429	1	CYLINDER BLOCK INCLUDES ITEMS 2-8	98 AWF-HLA/LFVC
2	V836866069	1	CAMSHAFT BEARING BUSHING	
3	V835329030	16	HEX CAP SCREW	
4	V836214478	16	GUIDE SLEEVE	
5	V836852461	1	CAMSHAFT BEARING BUSHING	
6	V640016040	6	CUP PLUG	
7	V836852460	2	CAMSHAFT BEARING BUSHING	
8	V837086315	2	CAMSHAFT BEARING BUSHING	

IDEAL 7 COMBINE (2019) (ZN2G0007V03020001-999)
APG2G2488

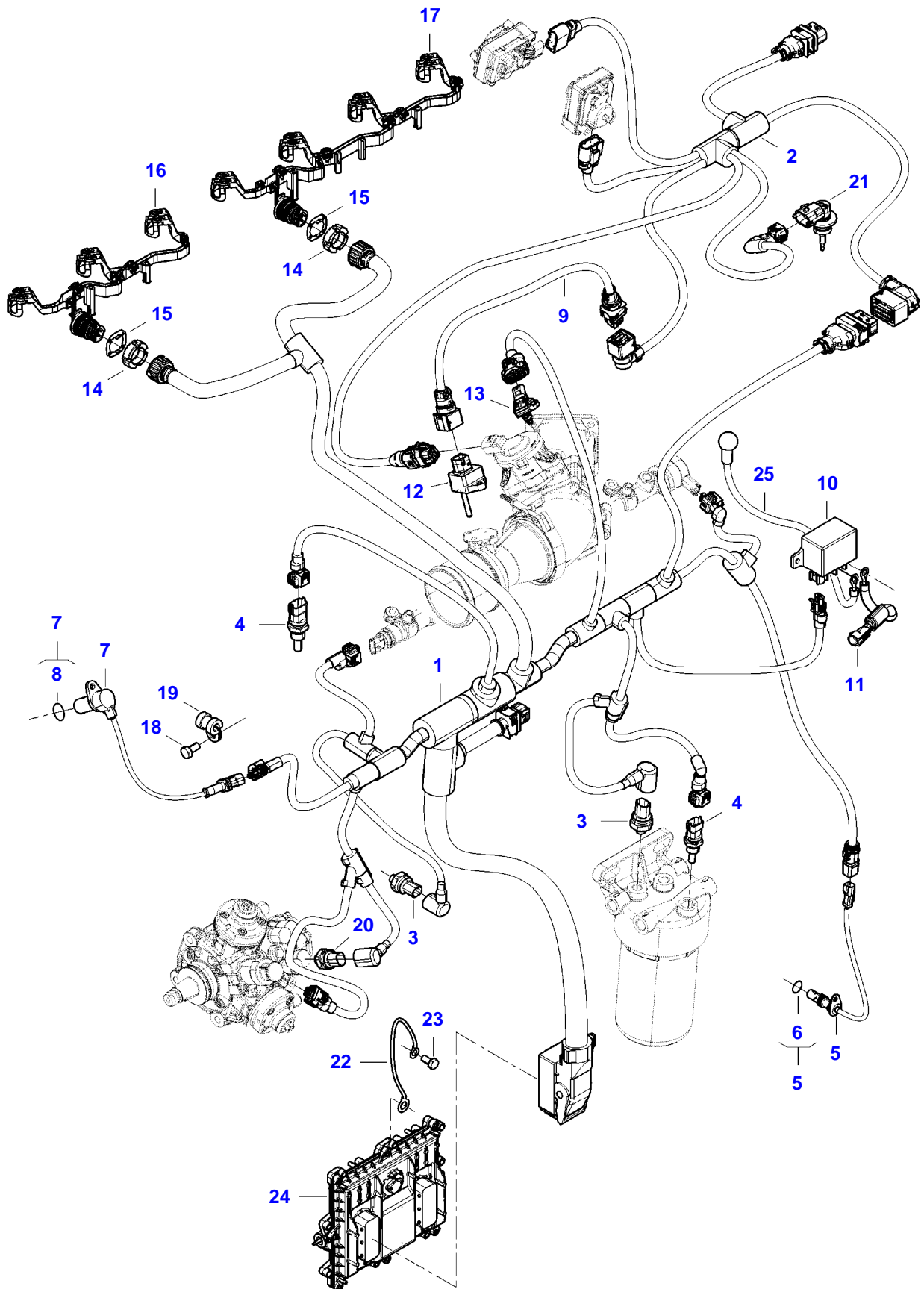


Item	Part Number	Qty	Description Comments
1	V837074713	1	TIMING GEAR CASE
2	V581704600	11	HEX SOCKET SCREW
3	V528801402	2	HEX CAP SCREW
4	V598359850	2	PIN
5	V640325110	1	SCREW PLUG
6	V615871014	1	SEALING WASHER [B]
7	V837073583	1	IDLER GEAR
8	V581705910	1	HEX SOCKET SCREW
9	V529801472	1	HEX CAP SCREW
10	V528801062	1	HEX CAP SCREW
11	V640045022	1	PLUG
12	V614606825	1	O-RING [B]
13	V837084617	1	BRACKET
14	V837074715	1	GEAR HOUSING FRONT COVER
15	V528801382	7	HEX CAP SCREW
16	V615870814	4	SEALING WASHER [B]
17	V837084867	1	CRANKSHAFT SEAL [B]
18	V837081106	1	OIL FILLER CAP
19	V614603540	1	O-RING [B]
20	V528801412	5	HEX CAP SCREW
21	V529801442	9	HEX CAP SCREW
22	V529801512	2	HEX CAP SCREW
23	V529801540	1	HEX CAP SCREW
24	V580704670	2	HEX SOCKET SCREW
25	V837073256	1	IDLER GEAR
26	V836873075	1	SHIELD
27	V615882227	1	SEALING WASHER [B]
28	V614712325	1	O-RING [B]
29	V837086283	1	COVER
30	V528802182	3	HEX CAP SCREW
31	V560201750	1	HEX SOCKET SCREW
32		1	

SEE PAGE 01-0035

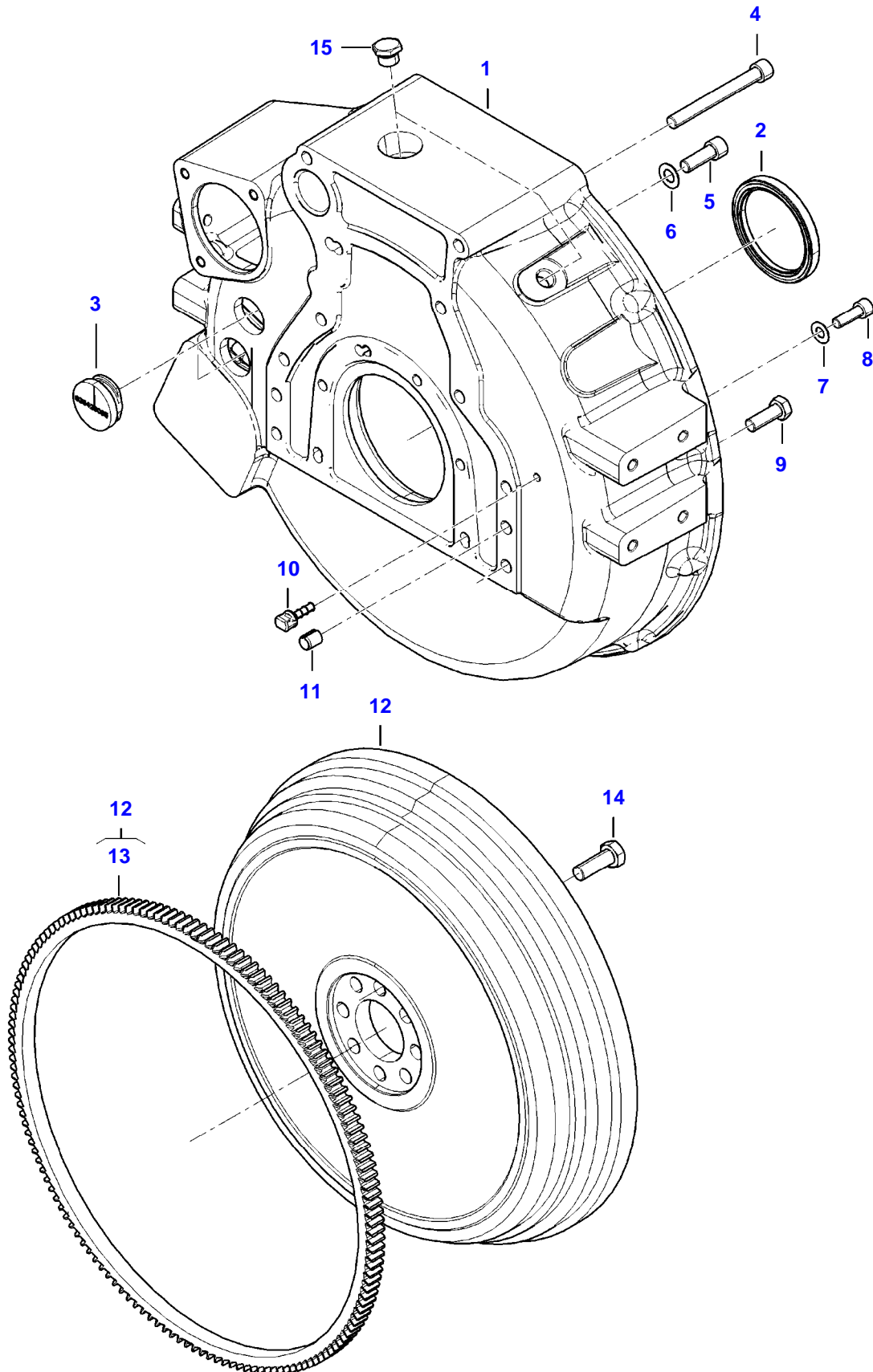
[B] INCLUDED IN COMPLETE ENGINE GASKET KIT 2

IDEAL 7 COMBINE (2019) (ZN2G0007V03020001-999)
APG20G2543



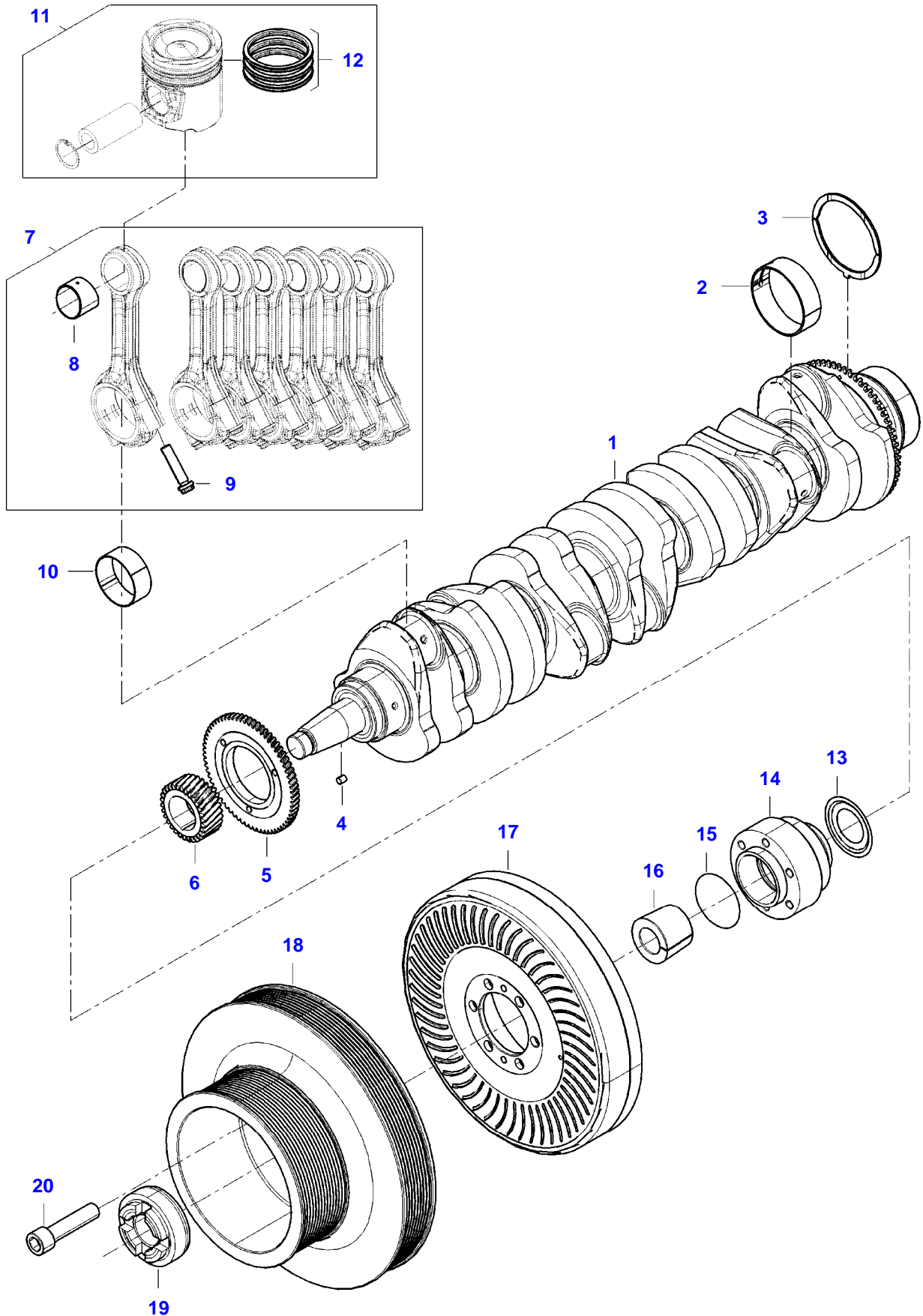
Item	Part Number	Qty	Description Comments
1	ACW2275730	1	ENGINE WIRE HARNESS
2	ACW2342280	1	ENGINE WIRE HARNESS
3	V837070201	2	PRESSURE SENSOR
4	V836667732	2	TEMPERATURE SENSOR
5	ACW0830170	1	CRANKSHAFT SPEED SENSOR INCLUDES ITEMS 6
6	V837091429	2	O-RING
7	V837070189	1	SPEED SENSOR INCLUDES ITEMS 8
8	V614601718	1	O-RING
9	V837084708	1	WIRE
10	V837069047	1	RELAY
11	V837073594	1	WIRE
12	V837074737	1	MASS AIR FLOW SENSOR (MAF)
13	V837084326	1	BOOST PRESSURE SENSOR
14	V837073921	2	LOCKING RING
15	V837073922	2	LOCKING PLATE
16	V837084141	1	ENGINE WIRE HARNESS
17	V837074692	1	ENGINE WIRE HARNESS
18	V528801362	2	HEX CAP SCREW
19	V602060610	1	RETAINER CLAMP
20	V837070209	1	PRESSURE SENSOR
21	V837074507	1	TEMPERATURE SENSOR
22	V837070292	1	GROUND WIRE
23	V528801342	1	HEX CAP SCREW
24	V837074863	1	ENGINE CONTROL UNIT
25	V837084201	1	WIRE

IDEAL 7 COMBINE (2019) (ZN2G0007V03020001-999)
APG3G2498



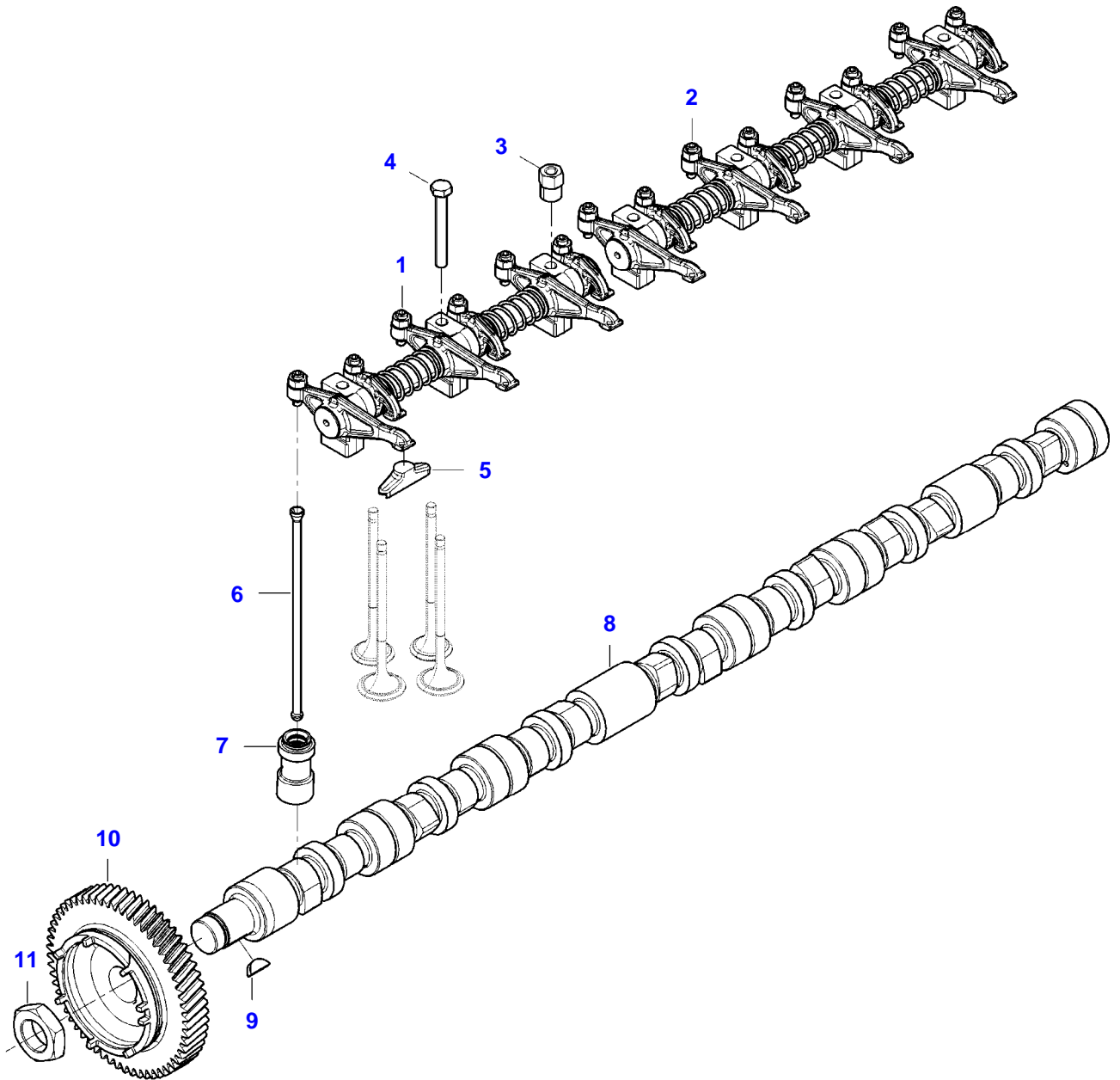
Item	Part Number	Qty	Description Comments
1	V836352143	1	FLYWHEEL HOUSING
2	V837091173	1	CRANKSHAFT SEAL [B]
3	V836428065	2	RUBBER PLUG
4	V581705584	2	HEX SOCKET SCREW
5	V581705440	2	HEX SOCKET SCREW
6	V500951202	2	SPRING WASHER
7	V500951002	6	SPRING WASHER
8	V581705030	6	HEX SOCKET SCREW
9	V528702220	6	HEX CAP SCREW
10	V836859311	1	PLUG
11	V598359850	2	PIN
12	V836859998	1	FLYWHEEL INCLUDES ITEM 13
13	V836117058	1	STARTER RING
14	V529702630	8	HEX CAP SCREW
15	V836019756	2	PLUG [B] INCLUDED IN COMPLETE ENGINE GASKET KIT 2

IDEAL 7 COMBINE (2019) (ZN2G0007V03020001-999)
APG4G2501



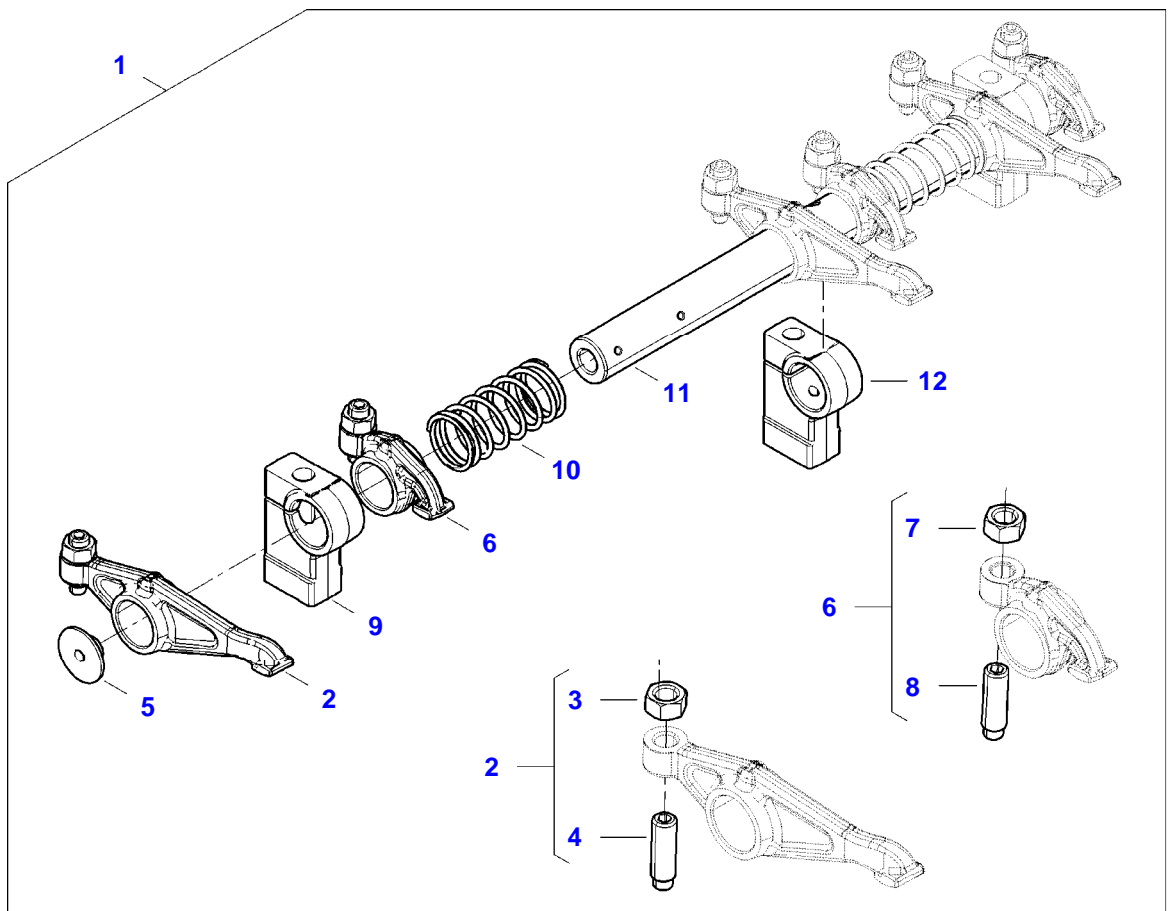
Item	Part Number	Qty	Description Comments	Technical Specification
1	V837074477	1	CRANKSHAFT	
2	V837079248	8	MAIN BEARING	
3	V837079249	2	THRUST WASHER	
4	V836867857	1	KEY	
5	V836874041	1	CRANKSHAFT GEAR	
6	V837073672	1	CRANKSHAFT GEAR	
7	V837079496	1	CONNECTING ROD KIT INCLUDES ITEMS 8-9	
8	V836864288	7	BEARING BUSH	
9	V836873510	14	CONNECTING ROD BOLT	
10	V837062996	7	CONROD BEARING	STD
11	V837086083	7	PISTON INCLUDES ITEMS 12	
12	V837079459	1	PISTON RING KIT	
13	V836867858	1	RING	
14	V837073680	1	CRANKSHAFT HUB	
15	V614606770	1	O-RING [B]	
16	V836873339	1	SLEEVE	
17	ACW2883430	1	CRANKSHAFT VIBRATION DAMPENER	
18	V837086562	1	CRANKSHAFT PULLEY	
19	V837086006	1	CRANKSHAFT NUT	
20	V581705890	6	HEX SOCKET SCREW [B] INCLUDED IN COMPLETE ENGINE GASKET KIT 2	

IDEAL 7 COMBINE (2019) (ZN2G0007V03020001-999)
APG5G2502



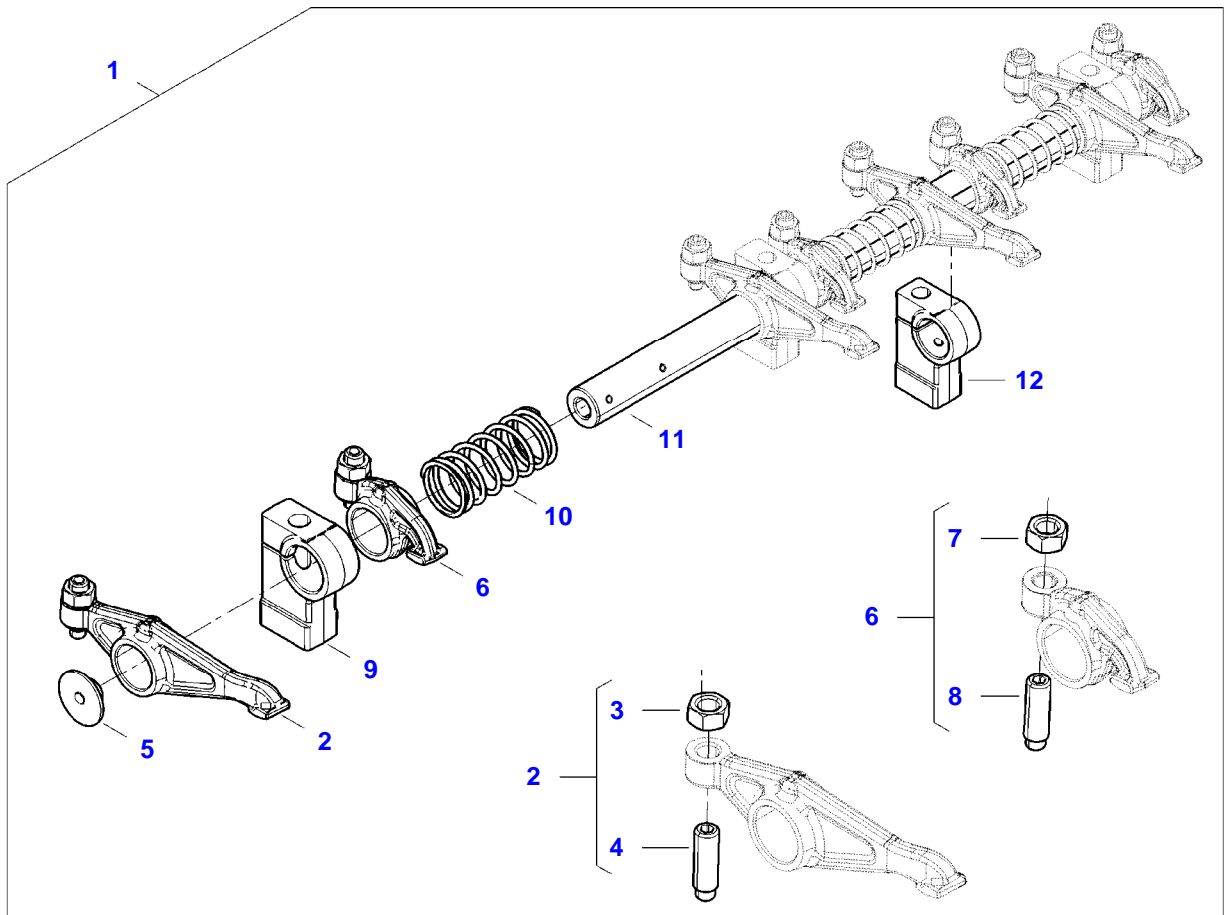
Item	Part Number	Qty	Description Comments	Technical Specification
1	V837069016	1	ROCKER SHAFT ASM SEE PAGE 01-0009	3-CYL 4V
2	V837070105	1	ROCKER SHAFT ASM SEE PAGE 01-0010	4-CYL 4V
3	V836655406	5	SLEEVE NUT	
4	V529801912	2	HEX CAP SCREW	
5	V837073089	14	VALVE BRIDGE	
6	V837084417	14	PUSHROD	
7	V837084421	14	TAPPET	HLA
8	V837073488	1	CAMSHAFT	
9	V603305760	1	WOODRUFF KEY	
10	V837073675	1	CAMSHAFT GEAR	
11	V837069085	1	NUT	

IDEAL 7 COMBINE (2019) (ZN2G0007V03020001-999)
APG5G2508



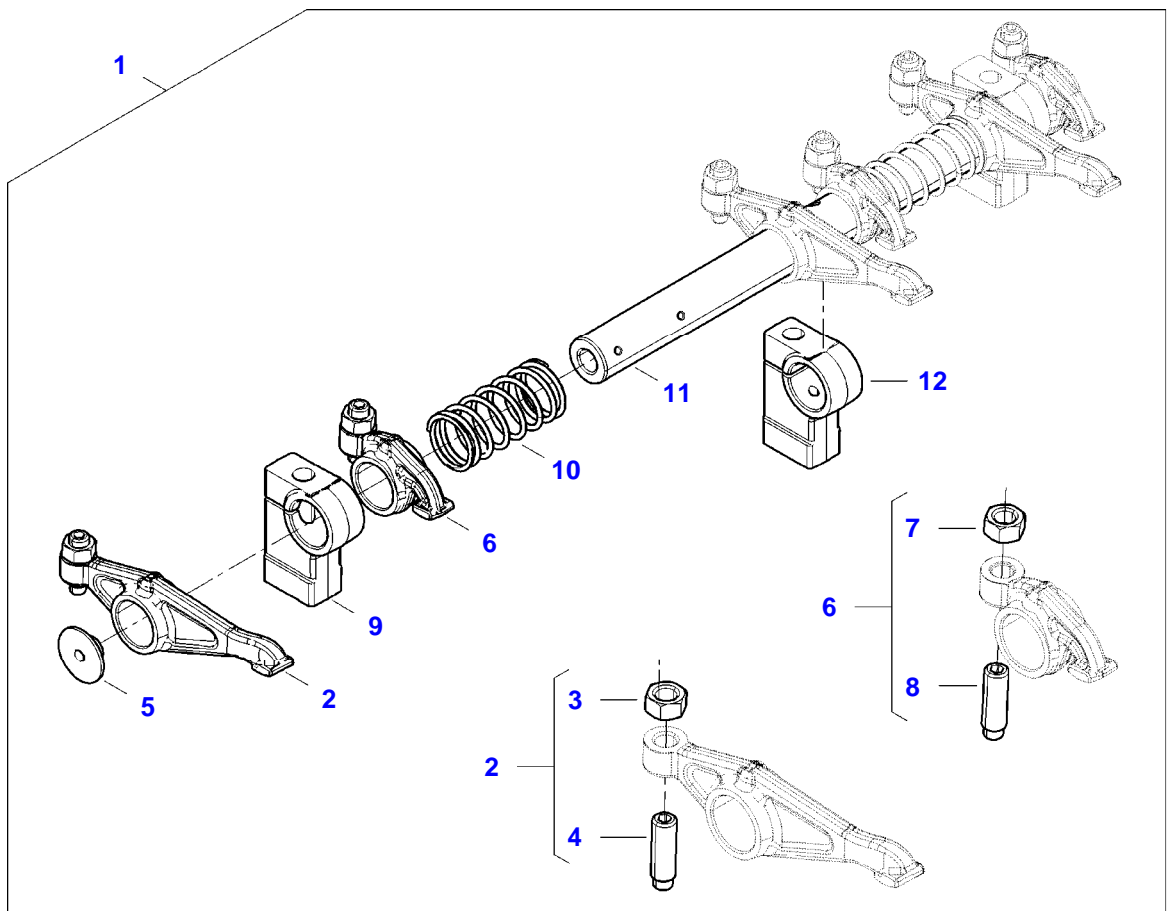
Item	Part Number	Qty	Description Comments	Technical Specification
1	V837069016	1	ROCKER SHAFT ASM INCLUDES ITEMS 2-12	3-CYL 4V
2	V837069011	3	ROCKER ARM INCLUDES ITEMS 3-4	4V INTAKE
3	V512861000	1	NUT	
4	V837069023	1	VALVE ROCKER ADJUSTMENT SCREW	
5	V837069020	2	PLUG	
6	V837069013	3	ROCKER ARM INCLUDES ITEMS 7-8	4V EXHAUST
7	V512861000	1	NUT	
8	V837069023	1	VALVE ROCKER ADJUSTMENT SCREW	
9	V837069017	2	ROCKER SHAFT BRACKET	
10	V837069019	2	SPRING	
11	V837069015	1	SHAFT	
12	V837069018	1	ROCKER SHAFT BRACKET	

IDEAL 7 COMBINE (2019) (ZN2G0007V03020001-999)
APG5G2509



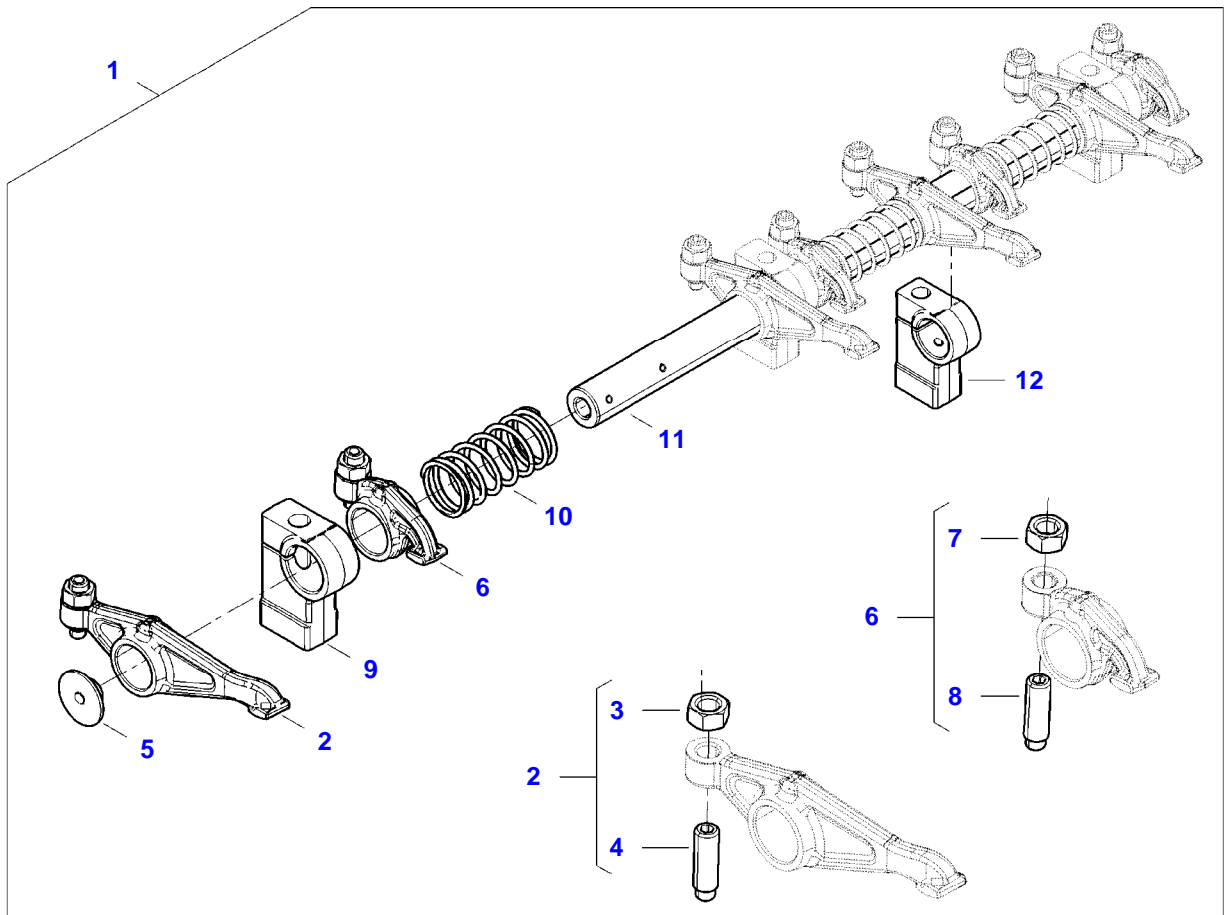
Item	Part Number	Qty	Description Comments	Technical Specification
1	V837070105	1	ROCKER SHAFT ASM INCLUDES ITEMS 2-12	4-CYL 4V
2	V837069011	4	ROCKER ARM INCLUDES ITEMS 3-4	4V INTAKE
3	V512861000	1	NUT	
4	V837069023	1	VALVE ROCKER ADJUSTMENT SCREW	
5	V837069020	2	PLUG	
6	V837069013	4	ROCKER ARM INCLUDES ITEMS 7-8	4V EXHAUST
7	V512861000	1	NUT	
8	V837069023	1	VALVE ROCKER ADJUSTMENT SCREW	
9	V837069017	3	ROCKER SHAFT BRACKET	
10	V837069019	3	SPRING	
11	V837070104	1	SHAFT	
12	V837069018	1	ROCKER SHAFT BRACKET	

IDEAL 7 COMBINE (2019) (ZN2G0007V03020001-999)
APG5G2508



Item	Part Number	Qty	Description Comments	Technical Specification
1	V837069016	1	ROCKER SHAFT ASM INCLUDES ITEMS 2-12	3-CYL 4V
2	V837069011	3	ROCKER ARM INCLUDES ITEMS 3-4	4V INTAKE
3	V512861000	1	NUT	
4	V837069023	1	VALVE ROCKER ADJUSTMENT SCREW	
5	V837069020	2	PLUG	
6	V837069013	3	ROCKER ARM INCLUDES ITEMS 7-8	4V EXHAUST
7	V512861000	1	NUT	
8	V837069023	1	VALVE ROCKER ADJUSTMENT SCREW	
9	V837069017	2	ROCKER SHAFT BRACKET	
10	V837069019	2	SPRING	
11	V837069015	1	SHAFT	
12	V837069018	1	ROCKER SHAFT BRACKET	

IDEAL 7 COMBINE (2019) (ZN2G0007V03020001-999)
APG5G2509



Item	Part Number	Qty	Description Comments	Technical Specification
1	V837070105	1	ROCKER SHAFT ASM INCLUDES ITEMS 2-12	4-CYL 4V
2	V837069011	4	ROCKER ARM INCLUDES ITEMS 3-4	4V INTAKE
3	V512861000	1	NUT	
4	V837069023	1	VALVE ROCKER ADJUSTMENT SCREW	
5	V837069020	2	PLUG	
6	V837069013	4	ROCKER ARM INCLUDES ITEMS 7-8	4V EXHAUST
7	V512861000	1	NUT	
8	V837069023	1	VALVE ROCKER ADJUSTMENT SCREW	
9	V837069017	3	ROCKER SHAFT BRACKET	
10	V837069019	3	SPRING	
11	V837070104	1	SHAFT	
12	V837069018	1	ROCKER SHAFT BRACKET	

Thank you so much for reading.
Please click the “Buy Now!”
button below to download the
complete manual.



After you pay.

You can download the most
perfect and complete manual in
the world immediately.

Our support email:

ebooklibonline@outlook.com