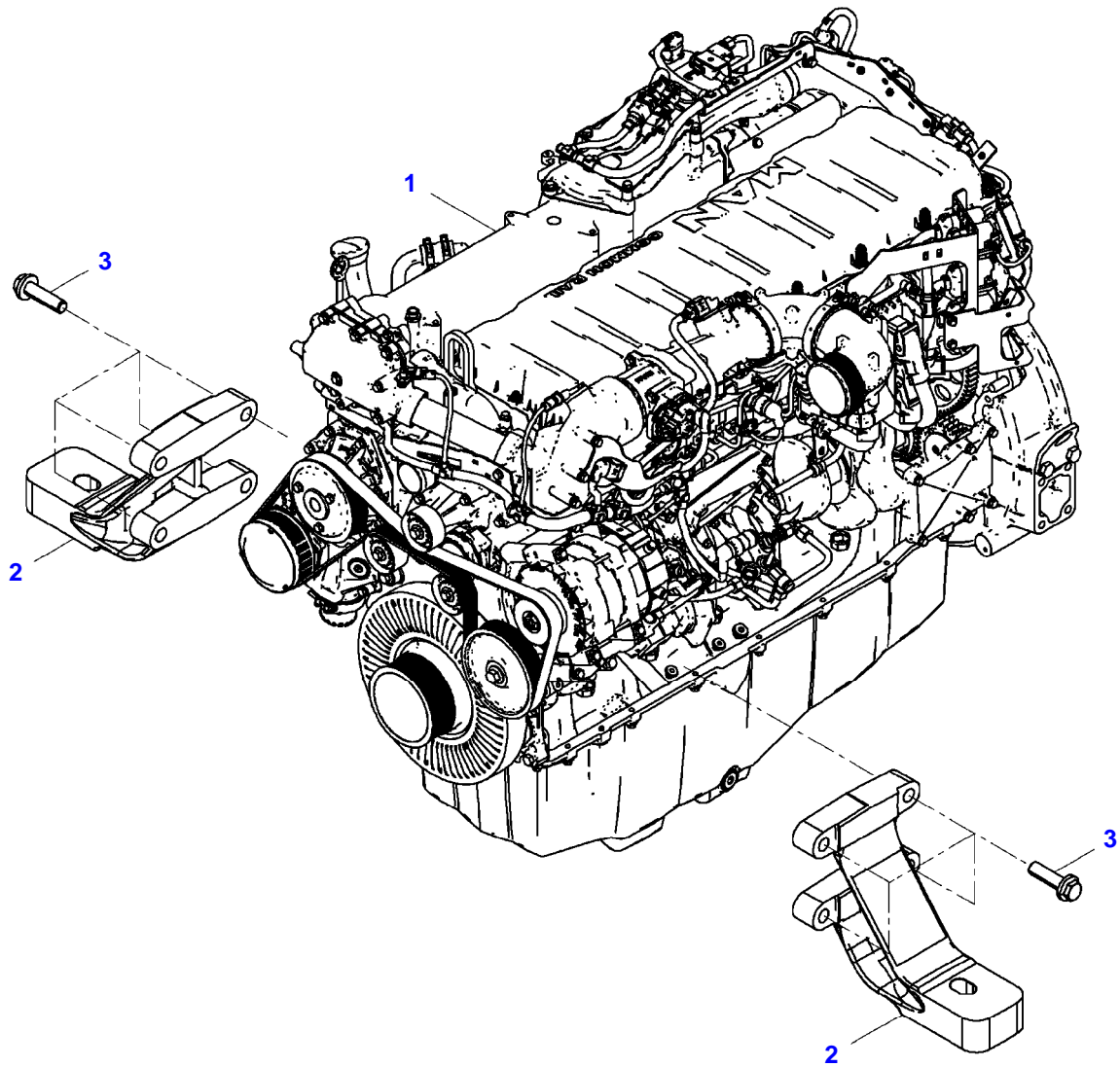


Page Number	Page Title	Page Reference
01-000-TOC	ENGINE ACW1207550 D2676LE145 STAGE 5	01-000-TOC
02-000-TOC	ENGINE ACW1207570 D2676LE138 STAGE 4	02-000-TOC
03-000-TOC	ENGINE ACW1207530 D2676LE137 T4F	03-000-TOC
04-000-TOC	ENGINE ACW2176690 D2676LE143 T3/LRC	04-000-TOC
05-000-TOC	ENGINE INSTALLATION	05-000-TOC
06-000-TOC	DRIVE SYSTEM	06-000-TOC
07-000-TOC	AXLES	07-000-TOC
08-000-TOC	STEERING SYSTEM	08-000-TOC
09-000-TOC	DRIVE TRAIN SYSTEM	09-000-TOC
10-000-TOC	BRAKE SYSTEM	10-000-TOC
11-000-TOC	HYDRAULIC SYSTEM	11-000-TOC
12-000-TOC	ELECTRICAL SYSTEM	12-000-TOC
13-000-TOC	CAB	13-000-TOC
14-000-TOC	AIR CONDITIONING AND HEATING SYSTEM	14-000-TOC
15-000-TOC	CHASSIS	15-000-TOC
16-000-TOC	DECALS	16-000-TOC
17-000-TOC	WHEELS	17-000-TOC
18-000-TOC	FEEDING SYSTEM	18-000-TOC
19-000-TOC	THRESHING SYSTEM	19-000-TOC
20-000-TOC	CLEANING SYSTEM	20-000-TOC
21-000-TOC	GRAIN BIN AND ELEVATOR SYSTEM	21-000-TOC
22-000-TOC	DISCHARGE SYSTEM	22-000-TOC
23-000-TOC	PRECISION FARMING SYSTEMS	23-000-TOC
24-000-TOC	ACCESSORIES	24-000-TOC

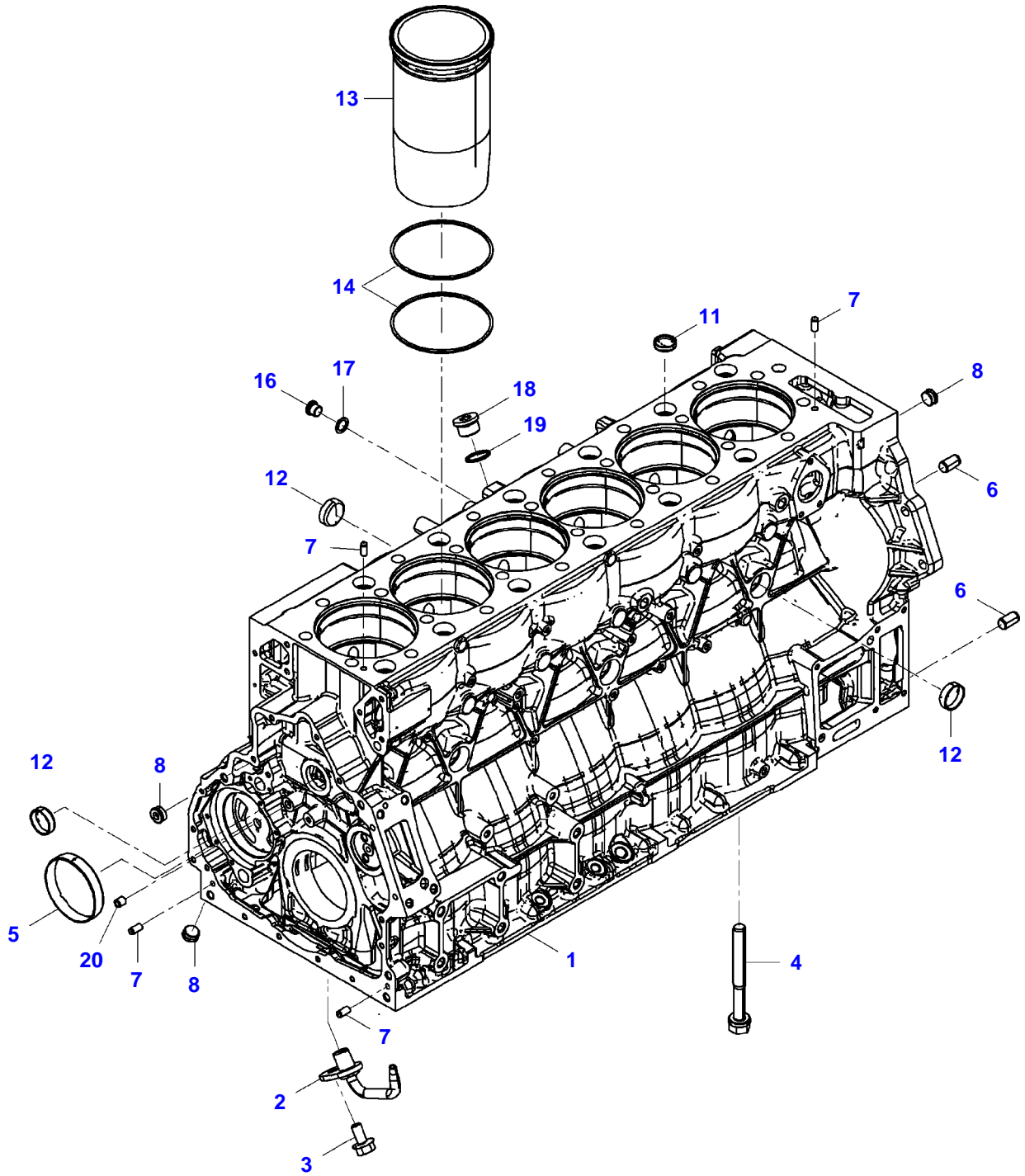
Page Number	Page Title	Page Reference
01-0001	ENGINE - RETAINER ENGINE : STAGE 5	1MDL2474308
01-0002	CRANKCASE ENGINE : STAGE 5	1MDL2474309
01-0003	TIMING GEARS AND HOUSING ENGINE : STAGE 5	1MDL2474310
01-0004	FLYWHEEL AND HOUSING ENGINE : STAGE 5	1MDL2474311
01-0005	CRANKSHAFT AND PISTONS ENGINE : STAGE 5	1MDL2474312
01-0006	CAMSHAFT AND VALVE ENGINE : STAGE 5	1MDL2474313
01-0007	CYLINDER HEAD AND VALVES ENGINE : STAGE 5	1MDL2474314
01-0008	VALVE COVER ENGINE : STAGE 5	1MDL2474315
01-0009	AIR INTAKE ENGINE : STAGE 5	1MDL2474316
01-0010	EXHAUST MANIFOLD ENGINE : STAGE 5	1MDL2474317
01-0011	TURBO-CHARGER ENGINE : STAGE 5	1MDL2474318
01-0012	EXHAUST GAS RECIRCULATION (EGR) ENGINE : STAGE 5	1MDL2474319
01-0013	OIL PUMP AND SUMP ENGINE : STAGE 5	1MDL2474321
01-0014	OIL COOLER AND FILTER ENGINE : STAGE 5	1MDL2474322
01-0015	COOLANT PIPING ENGINE : STAGE 5	1MDL2474323
01-0016	COOLANT PUMP AND THERMOSTAT ENGINE : STAGE 5	1MDL2474324
01-0017	FUEL INJECTION SYSTEM ENGINE : STAGE 5	1MDL2474325
01-0018	FUEL FILTERS ENGINE : STAGE 5	1MDL2474326
01-0019	ELECTRONIC ENGINE MANAGEMENT - SENSOR ENGINE : STAGE 5	1MDL2474327
01-0020	ELECTRONIC ENGINE MANAGEMENT - WIRING HARNESS ENGINE : STAGE 5	1MDL2474328
01-0021	ELECTRONIC ENGINE MANAGEMENT - SUPPORT BRACKET ENGINE : STAGE 5	1MDL2474329
01-0022	WIRING HARNESS - INJECTOR ENGINE : STAGE 5	1MDL2474330
01-0023	BELT TENSIONER ENGINE : STAGE 5	1MDL2474331
01-0024	ENGINE GASKETS SETS ENGINE : STAGE 5	1MDL2474332
01-0025	SPECIAL OVERHAUL PARTS ENGINE : STAGE 5	1MDL2474333



24018589-M-1

Item	Part Number	Qty	Description Comments	Technical Specification
ENGINE : STAGE 5				
1	ACW1207550	1	ENGINE	12.4L ST5
2	ACP0353630	2	ENGINE MOUNT	
3	ACP0353270	8	LOCK SCREW	M14X50-12.9-MAN183-B1

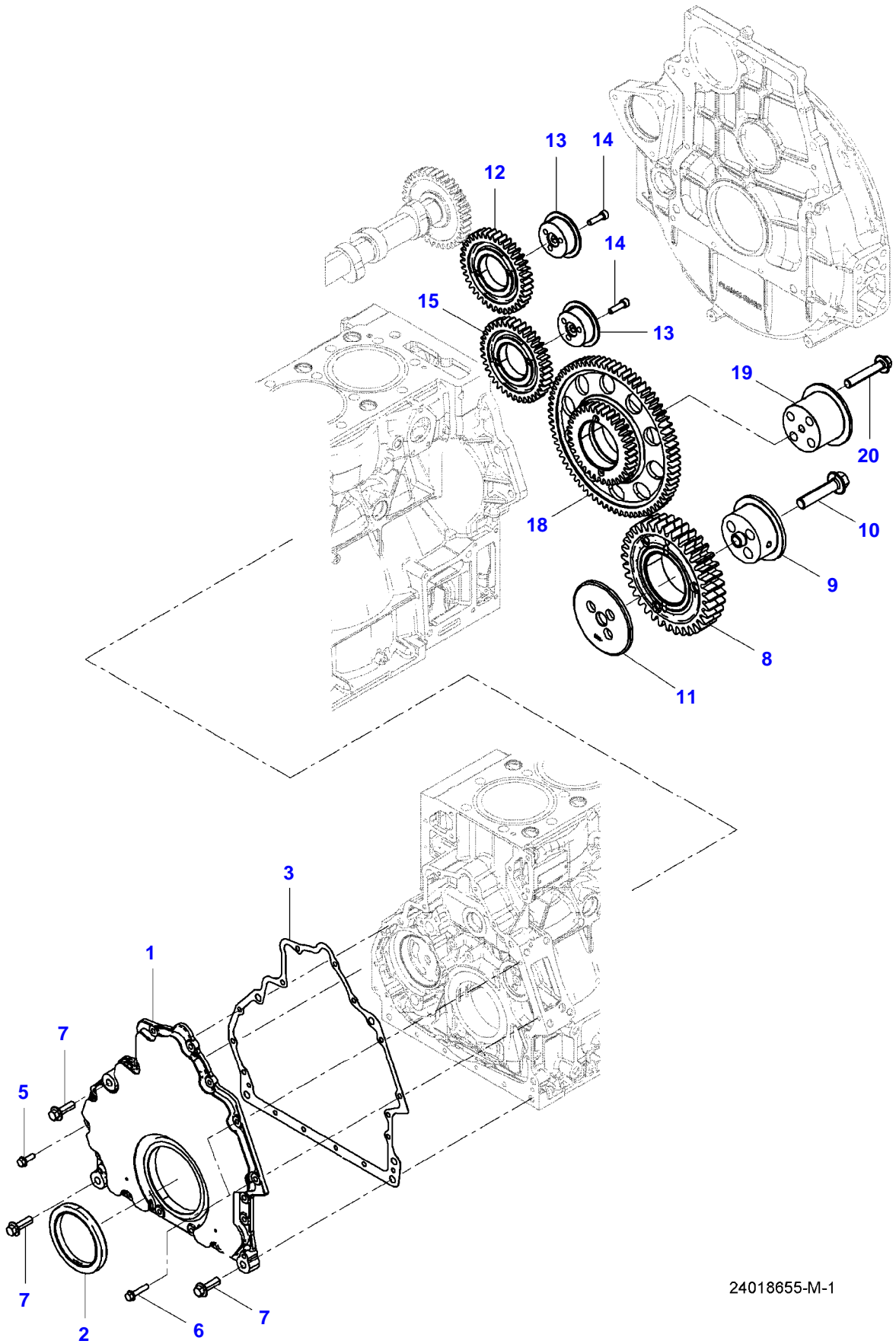
IDEAL 8 COMBINE (2019) (ZN2G0008C03020001-999)
24018596-M-1



24018596-M-1

Item	Part Number	Qty	Description Comments	Technical Specification
ENGINE : STAGE 5				
1	ACP0432850	1	CRANKCASE	
2	72624342	6	OIL SPLASH NOZZLE	
3	ACP0410440	6	HEX BOLT, WITH COLLAR	M6X12-10.9
4	72624532	14	HEX BOLT, WITH COLLAR	M18X2X160,5-10.9
5	72624564	1	BEARING BUSH	D=102X18
6	72624289	2	DOWEL	16H8X24-ST50-2K
7	72624290	4	DOWEL	8M6X18
8	72624540	3	PLUG SCREW	M22X1,5X9-5.8
11	72311428	12	COVER	
12	72624556	6	CAP PLUG	A40,3/14,5-X5CRNI1810N
13	ACP0432860	6	CYLINDER LINER	
14	ACP0425080	12	PROFILED CORD SEAL	
16	72624272	1	PLUG SCREW	M16X1,5-ST-M3360-RK9-K
17	72624304	1	SEALING WASHER	16,3X24X1,5-ST/FKM1-80
18	72624273	1	PLUG SCREW	M24X1,5-ST-M3360-RK12-K
19	72624297	1	SEALING WASHER	A26X31-CU
20	72624286	1	SEALING PLUG	6X5-C15PB/9SMNPB28K-BK/BK

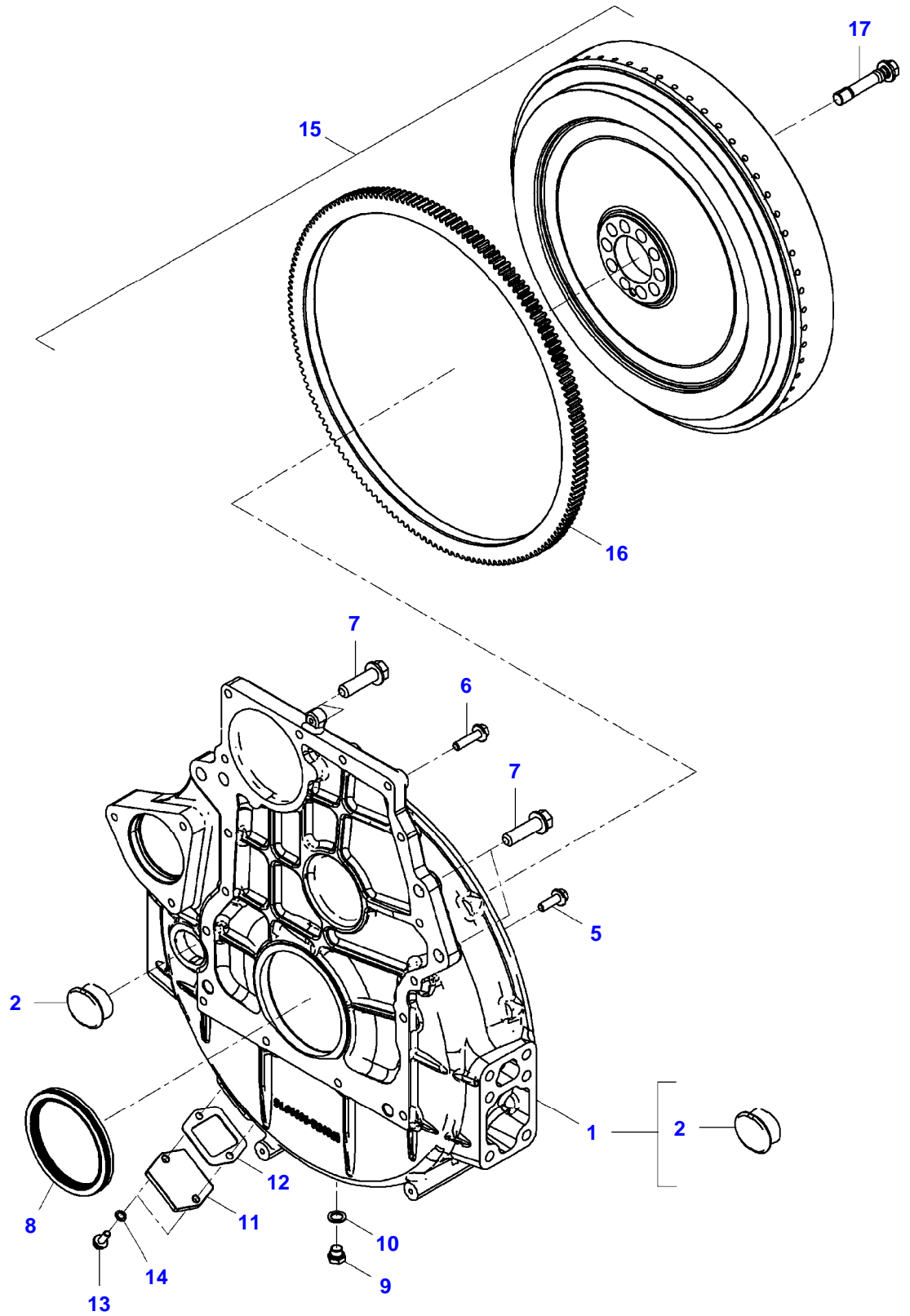
IDEAL 8 COMBINE (2019) (ZN2G0008C03020001-999)
24018655-M-1



24018655-M-1

Item	Part Number	Qty	Description Comments	Technical Specification
ENGINE : STAGE 5				
1	72624339	1	LID	
2	72624340	1	RADIAL SHAFT LIP SEAL	100X130X12
3	72624345	1	HOUSING GASKET	
5	72624231	12	HEX FLANGE CAPSCREW	M8X25-10.9
6	72624234	2	HEX FLANGE CAPSCREW	M8X40-10.9
7	72624250	3	HEX FLANGE CAPSCREW	M12X40-10.9
8	72629236	1	GEAR,IDLER AIR PRESSER	
9	72629237	1	HUB	
10	72624251	3	HEX FLANGE CAPSCREW	M12X55-10.9
11	72624551	1	THRUST WASHER	
12	72624387	1	GEAR,IDLER	
13	72629228	2	HUB	
14	72624213	6	SOCKET HEAD BOLT	M8X30-10.9
15	72624386	1	GEAR,IDLER	
18	ACP0442850	1	GEAR,IDLER	
19	72629229	1	HUB	
20	72624253	4	HEX FLANGE CAPSCREW	M14X80-10.9

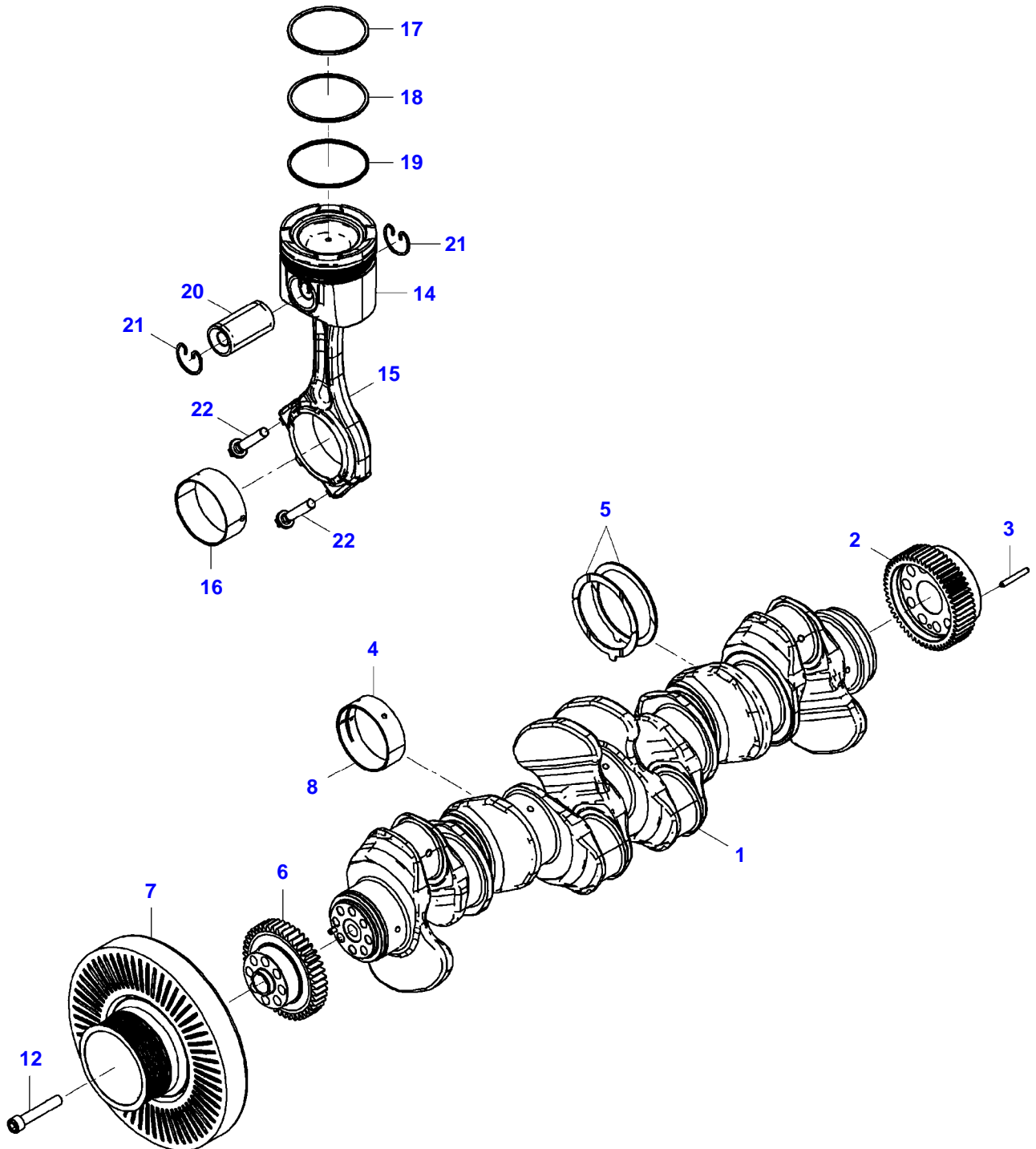
IDEAL 8 COMBINE (2019) (ZN2G0008C03020001-999)
24018675-M-1



24018675-M-1

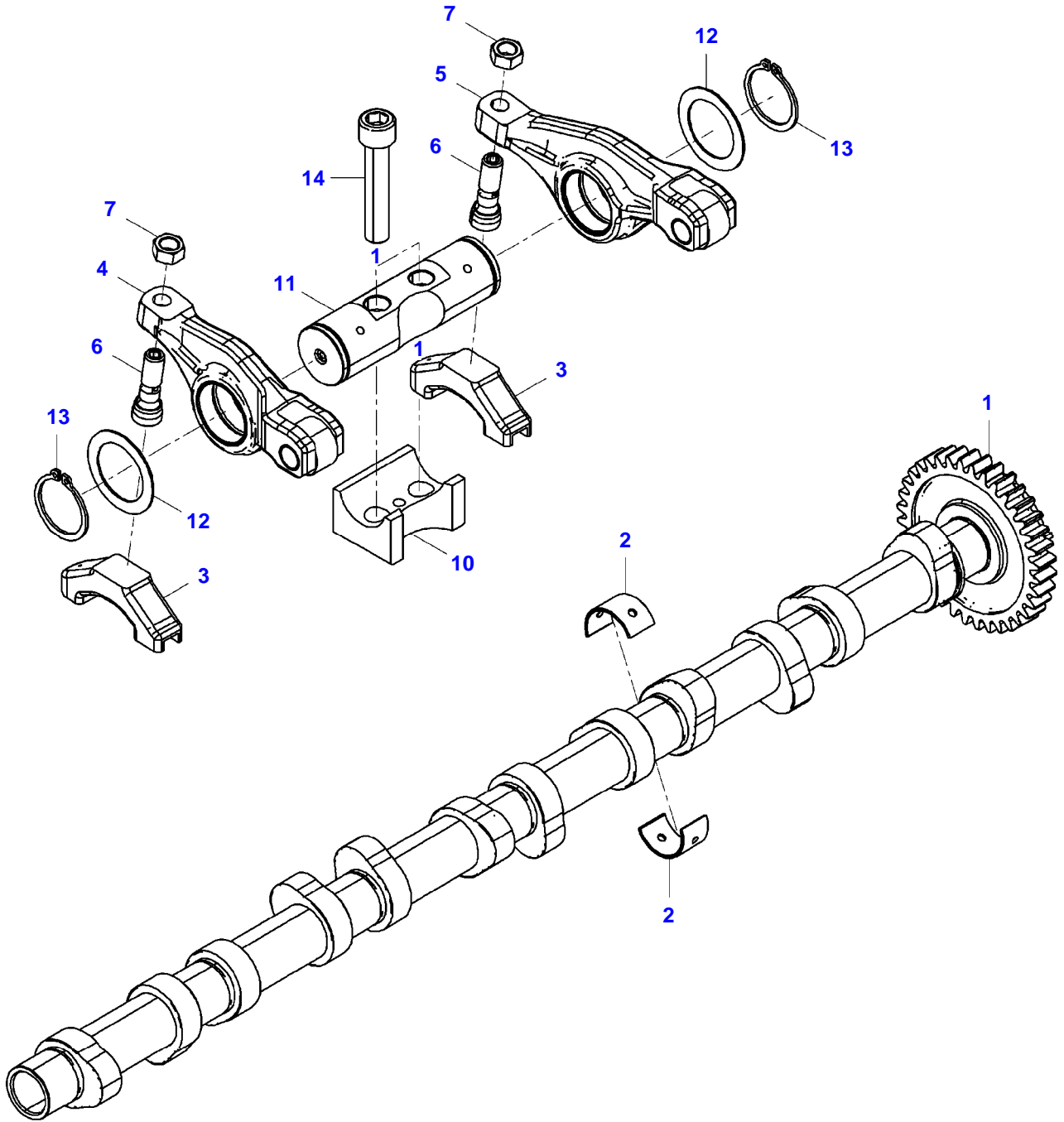
Item	Part Number	Qty	Description Comments	Technical Specification
ENGINE : STAGE 5				
1	ACP0426890	1	FLYWHEEL HOUSING	
2	ACP0353770	1	RUBBER PLUG	46/38X19-59/51-CR2-70
5	ACP0353330	9	HEX FLANGE CAPSCREW	M10X30-10.9-MAN183-B1
6	ACP0353340	7	HEX FLANGE CAPSCREW	M10X40-10.9-MAN183-B1
7	ACP0353260	4	HEX BOLT, WITH COLLAR	M16X1,5X55-MAN183-B1
8	72624341	1	RADIAL SHAFT LIP SEAL	115X140X12LD-ACM/PTFE
9	ACP0353350	1	PLUG SCREW	AM14X1,5-ST-MAN183-B1
10	72624303	1	SEALING WASHER	14,3X22X1,5-ST/FKM1-80
11	ACP0353880	1	BLANK FLANGE	
12	ACP0353830	1	GASKET	
13	72624230	2	HEX FLANGE CAPSCREW	M8X20-10.9
14	ACP0353380	2	SEALING WASHER	8,3X14X1-ST/FKM1-80
15	ACP0426900	1	FLYWHEEL INCLUDES ITEMS 16	
16	ACP0427450	1	STARTER RING	
17	ACP0426920	10	HEX BOLT, WITH COLLAR	M16X1,5X81-12.9

IDEAL 8 COMBINE (2019) (ZN2G0008C03020001-999)
24018704-M-1



24018704-M-1

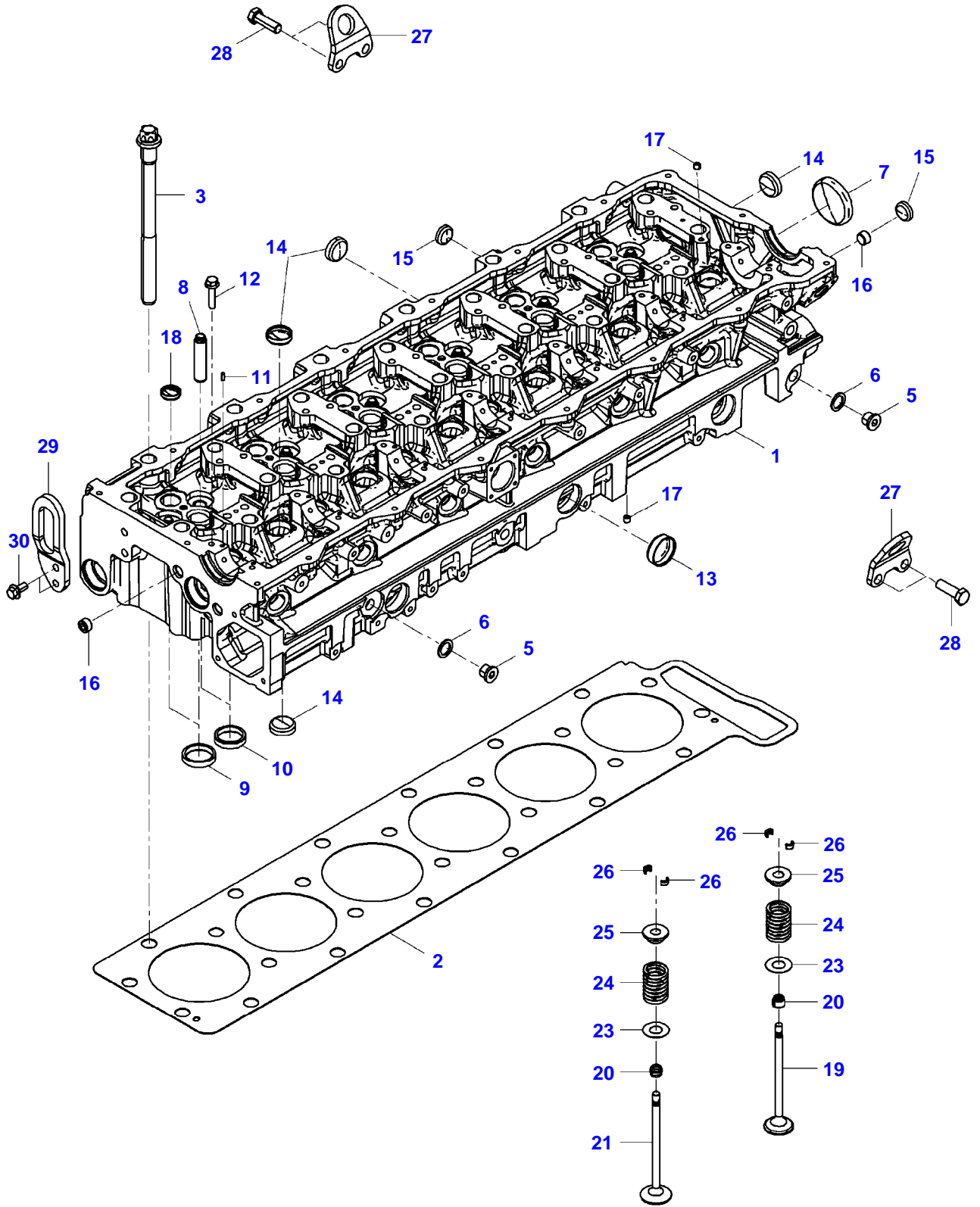
Item	Part Number	Qty	Description Comments	Technical Specification
ENGINE : STAGE 5				
1	ACP0353530	1	CRANKSHAFT	
2	ACP0426880	1	CRANKSHAFT GEAR	
3	72624291	1	SPIRAL PIN	8X60-ST
4	ACP0432880	7	BEARING SHELL UPPER	
5	72624336	2	THRUST WASHER	
6	72624349	1	CRANKSHAFT GEAR	
7	ACP0357940	1	CRANKSHAFT VIBRATION DAMPENER	
8	ACP0432890	7	BEARING SHELL LOWER	
12	ACP0353250	8	SOCKET HEAD BOLT	M16X1,5X90-10.9-MAN183-B1
14	ACP0432900	6	PISTON	
15	ACP0432920	6	CONROD	
16	ACP0432930	6	CONROD BEARING	
17	ACP0432910	6	TRAP.SECTION RG.	
18	72624365	6	CHAMFER PIST.RG.	D=126X2,5
19	72624364	6	U/MKME-CHAMF.RG.	D=126X3,5
20	ACP0427110	1	PISTON PIN	
21	72624553	2	SNAPRING	52X2-FDST
22	72624545	2	HEXAGON FLANGE BOLT	M13X1,5X66-11.9



24018725-M-1

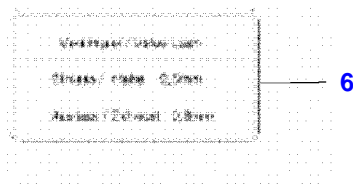
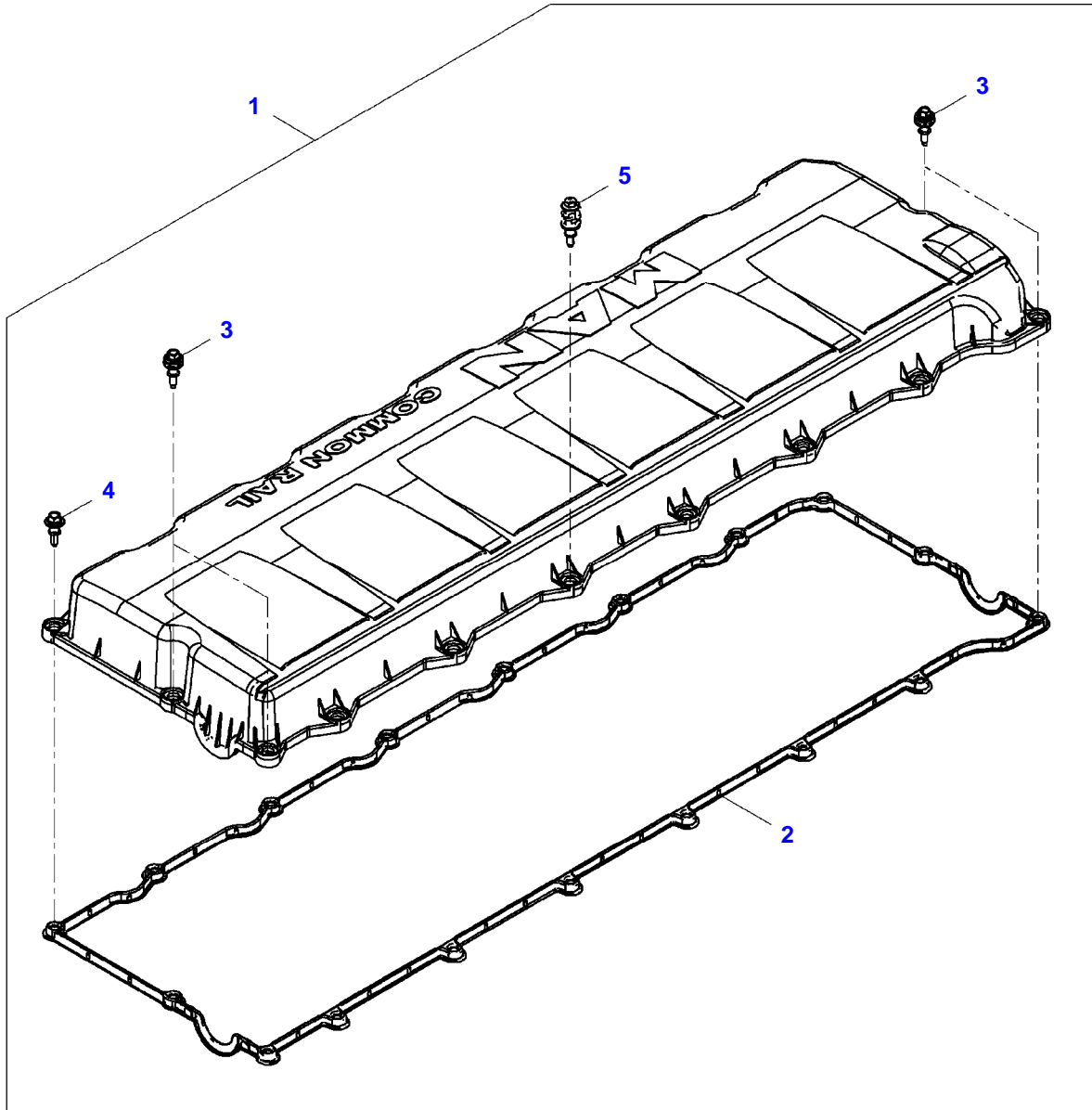
Item	Part Number	Qty	Description Comments	Technical Specification
ENGINE : STAGE 5				
1	ACP0432940	1	CAMSHAFT	
2	72624384	14	CAMSHAFT BUSHING	D=45X26
3	72624377	12	VALVE BRIDGE	
4	72624378	1	ROCKER ARM	
5	72624379	1	ROCKER ARM	
6	72624382	2	ADJUSTING SCREW	
7	72313252	2	NUT	
10	72629239	1	BEARING SUPPORT	
11	72624381	1	ROCKER SHAFT ASM	
12	72624547	2	SHIM RING	32X45D12X1-DIN1544
13	72624292	2	LOCK WASHER	32X1,50-ZNPHR5F
14	72624215	2	SOCKET HEAD BOLT	M12X60-10.9

IDEAL 8 COMBINE (2019) (ZN2G0008C03020001-999)
24018739-M-1



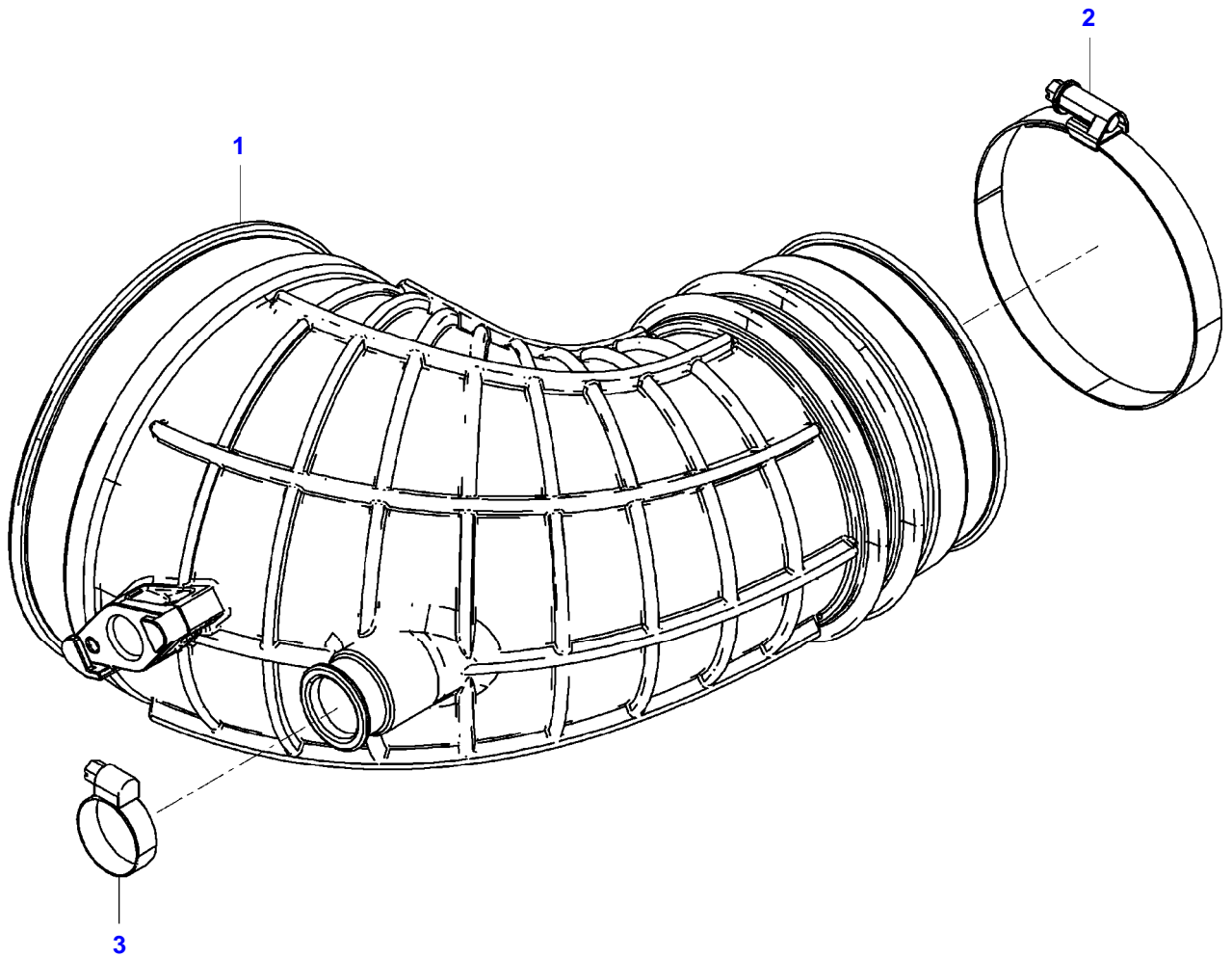
24018739-M-1

Item	Part Number	Qty	Description Comments	Technical Specification
ENGINE : STAGE 5				
1	ACP0432950	1	CYLINDER HEAD	
2	72624371	1	CYLINDER HEAD GASKET	
3	72630163	26	HEXAGON FLANGE BOLT	M18X2X246
5	72624272	3	PLUG SCREW	M16X1,5-ST-M3360-RK9-K
6	72624304	3	SEALING WASHER	16,3X24X1,5-ST/FKM1-80
7	72624558	1	CAP COVER	A63,1/12,5-X5CRNI1810N
8	72624367	24	VALVE GUIDE	
9	ACP0432960	12	VALVE SEAT RING INLET	
10	ACP0432970	12	VALVE SEAT RING OUTLET	
11	72624287	14	DOWEL	4H8X10-ST50-2K
12	72624217	14	HEX FLANGE CAPSCREW	M8X35-8.8
13	72311424	3	COVER	
14	72311428	38	COVER	
15	72311429	15	COVER	
16	72624541	4	PLUG SCREW	M16X1,5-ST-M3360-RK8-K
17	72417088	2	SEALING PLUG	
18	ACP0359360	6	CAP PLUG	A22,2/7,5-X5CRNI1810N
19	ACP0432990	12	EXHAUST VALVE	
20	72624390	24	VALVE STEM GASKET	
21	ACP0432980	12	INLET VALVE	
23	72624548	24	SHIM	16,5X34X0,5-C67S+OT
24	72624374	24	VALVE SPRING	
25	72624375	24	VALVE SPRING RETAINER	
26	72624376	48	VALVE SPRING KEY	
27	ACP0353640	2	SUSPENSION EYE	
28	ACP0353240	4	HEXAGONAL HEAD BOLT	M16X30-8.8-MAN183-A3C
29	ACP0353650	1	SUSPENSION EYE	
30	72624209	2	HEXAGONAL HEAD BOLT	M12X30SK-10.9



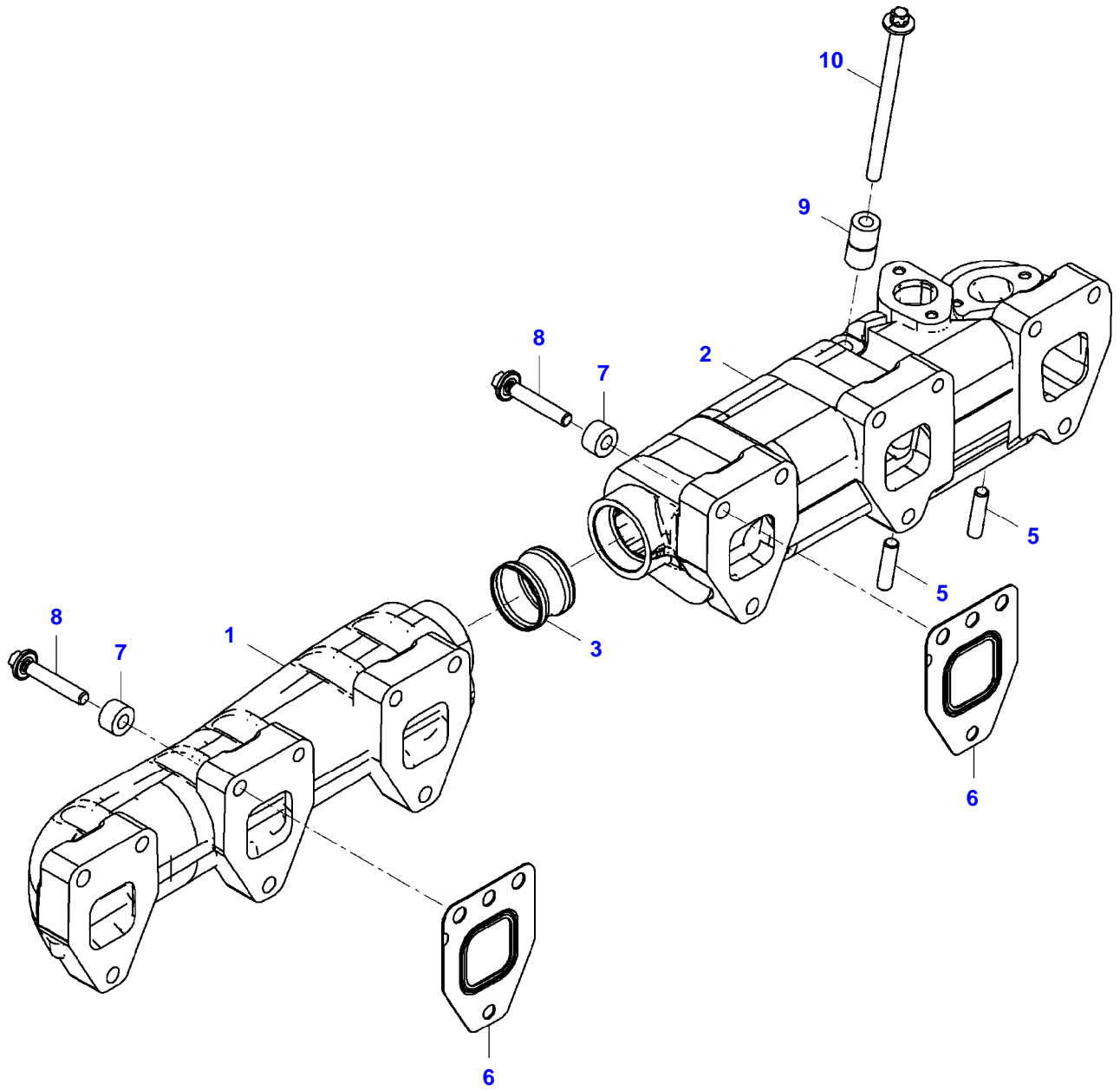
24018774-M-1

Item	Part Number	Qty	Description Comments
			ENGINE : STAGE 5
1	72624370	1	CYLINDER HEAD COVER INCLUDES ITEMS 2-5
2	ACP0153600	1	CYLINDER HEAD COVER SEAL
3	72624570	4	INSULATING MATERIAL
4	72624571	8	BUSHING
5	72624546	6	SCREW
6	ACP0428260	1	NOTE PLATE VALVES



24018785-M-1

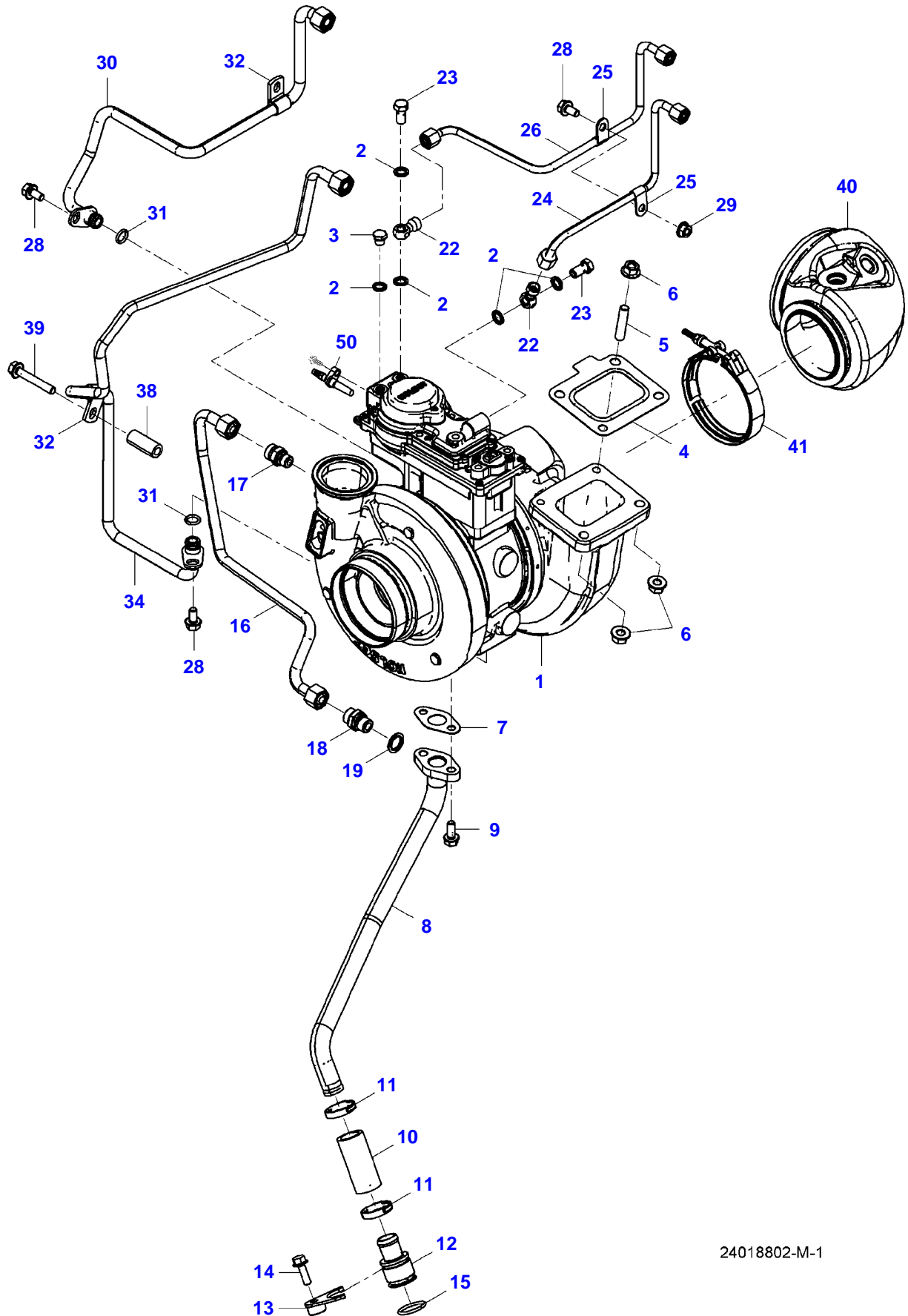
Item	Part Number	Qty	Description Comments	Technical Specification
			ENGINE : STAGE 5	
1	ACP0300480	1	AIR TUBE	
2	ACP0353440	1	HOSE CLIP	
3	ACP0353430	1	HOSE CLIP	L20-32



24018790-M-1

Item	Part Number	Qty	Description Comments	Technical Specification
ENGINE : STAGE 5				
1	72624440	1	EXHAUST ELBOW	
2	ACP0433000	1	EXHAUST MANIFOLD	
3	72624442	1	CONNECTING PIECE	
5	72624538	2	STUD BOLT	M10X30-SD
6	72624452	6	GASKET	
7	ACP0353750	18	BUSHING	10,5X22X13
8	72315395	18	WASHER HEAD BOLT	
9	72624563	1	BUSHING	10,5X20X37-21CRMOV57V
10	ACP0433010	1	HEXAGON FLANGE BOLT	M10X95-1.4980-E14-SD

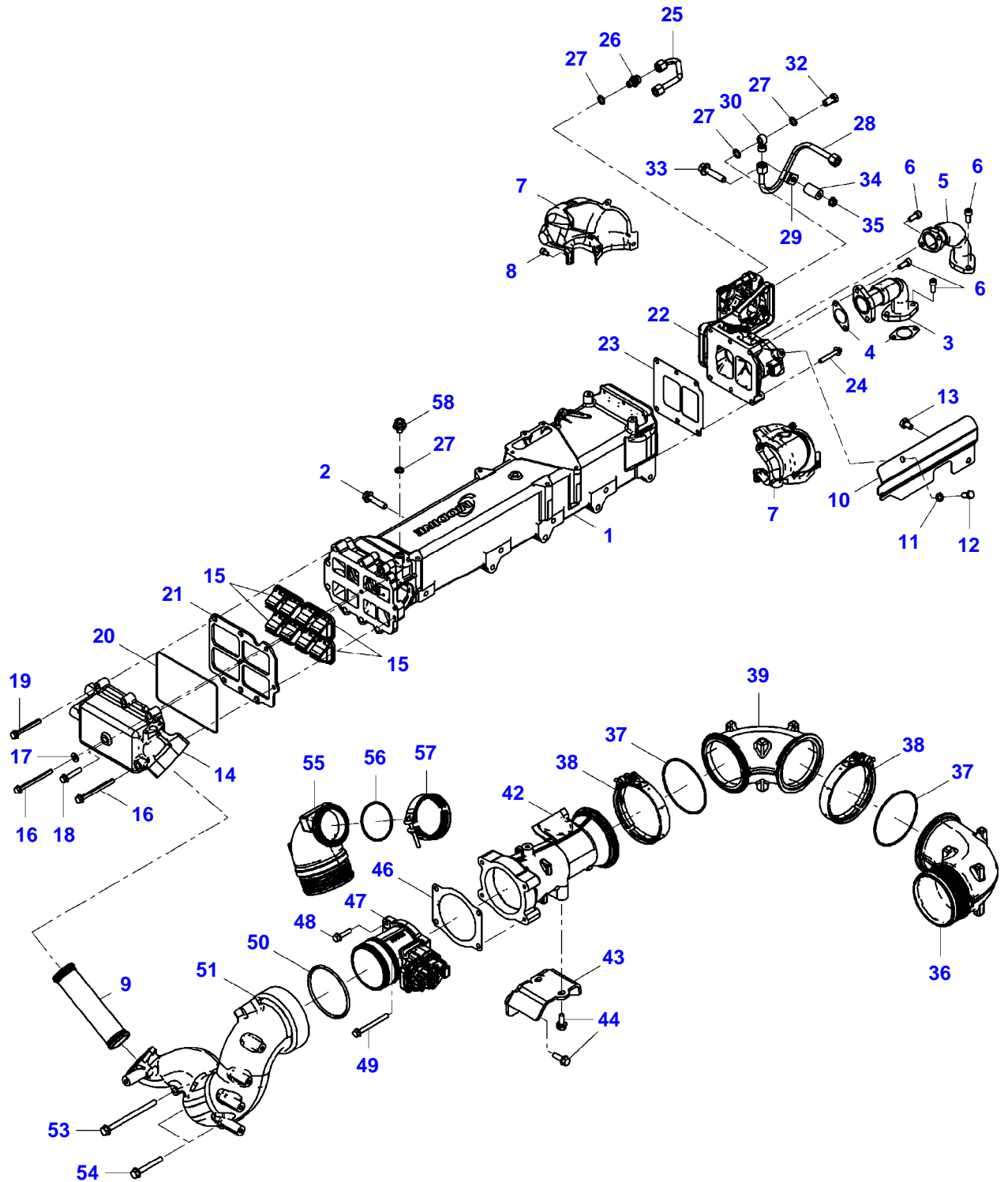
IDEAL 8 COMBINE (2019) (ZN2G0008C03020001-999)
24018802-M-1



24018802-M-1

Item	Part Number	Qty	Description Comments	Technical Specification
ENGINE : STAGE 5				
1	ACP0300490	1	TURBOCHARGER	
2	72624301	5	SEALING WASHER	10,3X16X1,5-ST/FKM1-80
3	72608291	1	SCREW	
4	72624453	1	GASKET	
5	72624539	1	STUD BOLT	M10X35-SD
6	72624276	3	SHOULDER HEX NUT	M10-GA-C3J
7	72624454	1	GASKET	
8	72624402	1	OIL RETURN LINE	
9	72624230	2	HEX FLANGE CAPSCREW	M8X20-10.9
10	72312632	1	HOSE	
11	72624590	2	HOSE CLIP	29,9-33,1
12	72624601	1	HOSE BARB	22/33F8X30-11SMNPB30-P3K
13	72624328	1	HOLDER	
14	72624231	1	HEX FLANGE CAPSCREW	M8X25-10.9
15	72624300	1	O-RING SEAL	28X3B-FPM1-80-GN
16	72624401	1	OIL PRESSURE LINE	
17	72624602	1	SOCKET	
18	72624321	1	THREADED SOCKET	L12A-M-ST
19	72624304	1	SEALING WASHER	16,3X24X1,5-ST/FKM1-80
22	72624594	2	BANJO UNION	D10,1/M14X1,5
23	72627849	2	BANJO BOLT	
24	72624415	1	COOLANT LINE INCLUDES ITEMS 25	
25	72624585	2	TUBE CLAMP	A8X16X28-9-UST37-2
26	72624416	1	COOLANT LINE INCLUDES ITEMS 25	
28	72624229	4	HEX FLANGE CAPSCREW	M8X16-10.9
29	72624275	1	SHOULDER HEX NUT	M8-8SC-8-SW13
30	ACP0427160	1	COOLANT LINE INCLUDES ITEMS 31,32	
31	ACP0353400	2	SEALING WASHER	12,42X1,78N-FKM2-70
32	72624584	2	TUBE CLAMP	B12,1X20X33-9X13-UST37-2
34	ACP0427170	1	COOLANT LINE INCLUDES ITEMS 31,32	
38	ACP0433060	1	BUSHING	9X16X39
39	72624235	1	HEX FLANGE CAPSCREW	M8X55-10.9
40	ACP0427180	1	EXHAUST MANIFOLD	
41	72624591	1	PROFILE CLIP	
50	72624517	1	ENGINE SPEED SENSOR	

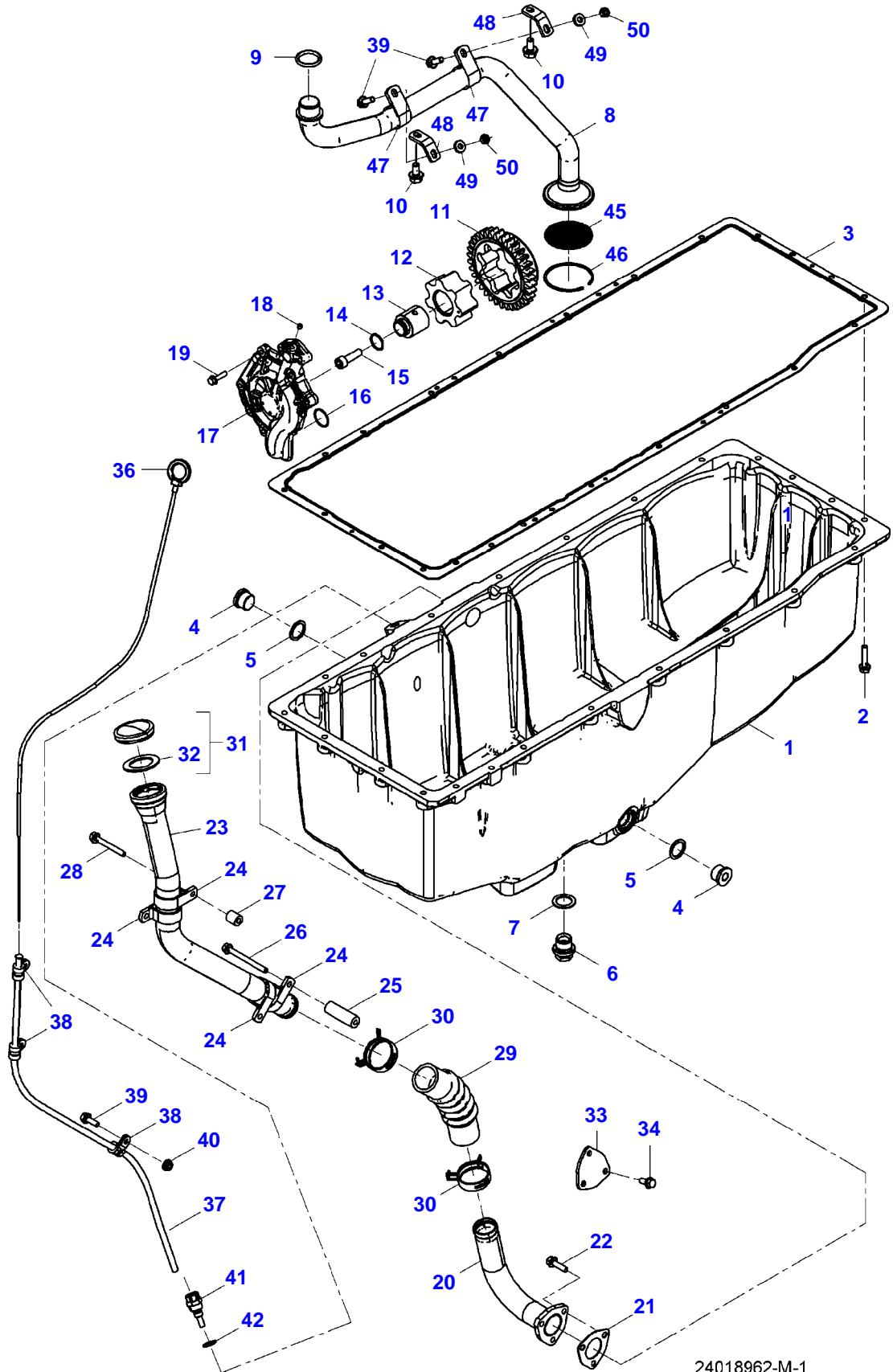
IDEAL 8 COMBINE (2019) (ZN2G0008C03020001-999)
24018848-M-1



24018848-M-1

Item	Part Number	Qty	Description Comments	Technical Specification
ENGINE : STAGE 5				
1	ACP0444020	1	EGR-MODULE	
2	72624242	8	HEX FLANGE CAPSCREW	M10X45-10.9
3	72639751	1	EXHAUST PIPE	
4	72639752	2	GASKET	
5	ACP0405500	1	EXHAUST PIPE	
6	72624535	8	SOCKET HEAD BOLT	M8X20-GA-C3J
7	ACP0427990	1	INSULATION	
8	ACP0428000	6	SOCKET HEAD BOLT	M6X10-8.8-A2C
9	ACP0444030	1	EXTENSION TUBE	
10	72624443	1	HEAT SHIELD	
11	72649375	1	WASHER	8X16X1,6-200HV
12	ACP0444050	1	HEXAGONAL HEAD BOLT	M8X16-8.8-C3J
13	72624222	1	HEX FLANGE CAPSCREW	M10X16-8.8
14	ACP0444130	1	HOUSING	
15	ACP0444140	4	CHECK VALVE	
16	ACP0444160	3	HEX FLANGE CAPSCREW	M8X80-MK8X4-10.9
17	ACP0353890	1	SEALING WASHER	9,5X20X1-CU
18	72624663	1	HEX FLANGE CAPSCREW	M8X45-10.9
19	72455491	7	HEXAGONAL HEAD BOLT	
20	72624451	1	SEALING WASHER	
21	ACP0444170	1	SPACER PLATE	
22	72627913	1	AIR STRANGLER	
23	72624666	1	GASKET	143X136X0,29
24	72624667	6	HEXAGON FLANGE BOLT	M8X50-1.7709-E12-GA
25	72624418	1	COOLANT LINE	
26	72624323	1	THREADED SOCKET	L10A-M12X1,5-ST
27	72624302	4	SEALING WASHER	12,3X18X1,5-ST/FKM1-80
28	72629735	1	COOLANT LINE	
29	72629736	1	TUBE CLAMP	
30	72310189	1	RING FITTING	
32	72624325	1	BANJO BOLT	8-M3360-RK5-K
33	72433860	1	TORX SCREW	
34	ACP0444180	1	BUSHING	9X20X34
35	72629737	1	SHOULDER HEX NUT	M8
36	ACP0358910	1	CHARGE AIR ELBOW	
37	ACP0353410	2	SEALING WASHER	101,2X2,62N-FPM1-70-GN
38	ACP0353870	2	PROFILE CLIP	
39	ACP0427950	1	CHARGE AIR ELBOW	
42	ACP0427960	1	CHARGE AIR TUBE	
43	ACP0427970	1	HOLDER	
44	72624231	4	HEX FLANGE CAPSCREW	M8X25-10.9
46	ACP0353620	1	GASKET	
47	72654758	1	THROTTLE FLAP	
48	72624233	2	HEX FLANGE CAPSCREW	M8X35-10.9
49	ACP0353320	2	HEX FLANGE CAPSCREW	M8X85-10.9-MAN183-B1
50	ACP0353390	1	SEALING WASHER	92X4,5N-NBR3-70
51	ACP0444200	1	CHARGE AIR ELBOW	
53	ACP0353310	1	HEX FLANGE CAPSCREW	M8X120-10.9-MAN183-B1
54	ACP0353290	2	HEX FLANGE CAPSCREW	M8X60-10.9-MAN183-B1
55	ACP0353600	1	CHARGE AIR ELBOW	
56	ACP0353810	1	GASKET	
57	ACP0353860	1	PROFILE CLIP	77X20X1-W1
58	72624605	1	HOSE COUPLER	

IDEAL 8 COMBINE (2019) (ZN2G0008C03020001-999)
24018962-M-1



24018962-M-1

Thank you so much for reading.
Please click the “Buy Now!”
button below to download the
complete manual.



After you pay.

You can download the most
perfect and complete manual in
the world immediately.

Our support email:

ebooklibonline@outlook.com