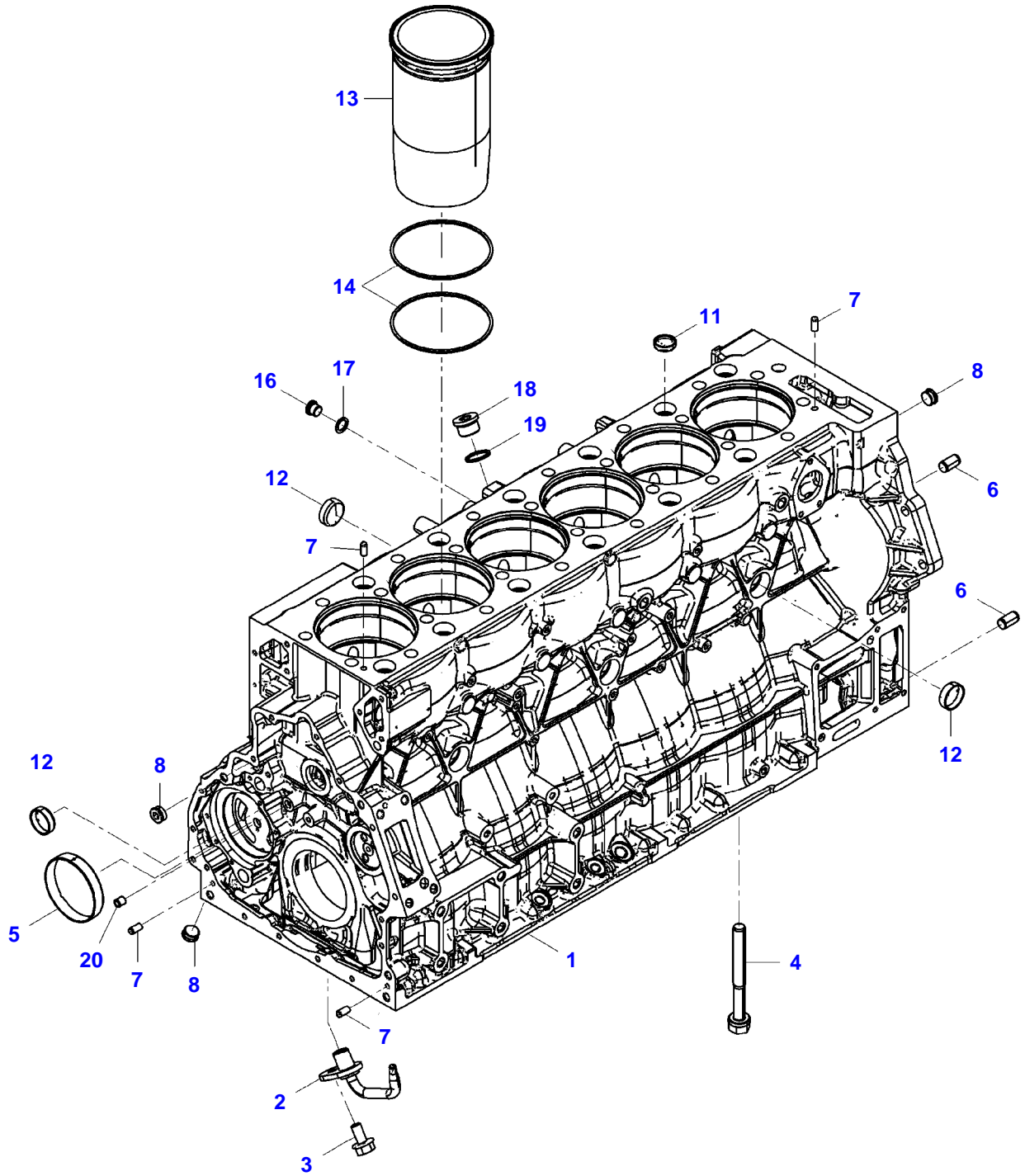


## TABLE OF CONTENT

Page Number	Page Title	Page Reference
01-000-TOC	ENGINE ACW1207530 D2676LE137 T4F	01-000-TOC
02-000-TOC	ENGINE INSTALLATION	02-000-TOC
03-000-TOC	DRIVE SYSTEM	03-000-TOC
04-000-TOC	AXLES	04-000-TOC
05-000-TOC	DRIVE TRAIN SYSTEM	05-000-TOC
06-000-TOC	BRAKE SYSTEM	06-000-TOC
07-000-TOC	HYDRAULIC SYSTEM	07-000-TOC
08-000-TOC	ELECTRICAL SYSTEM	08-000-TOC
09-000-TOC	CAB	09-000-TOC
10-000-TOC	AIR CONDITIONING AND HEATING SYSTEM	10-000-TOC
11-000-TOC	CHASSIS	11-000-TOC
12-000-TOC	DECALS	12-000-TOC
13-000-TOC	WHEELS	13-000-TOC
14-000-TOC	FEEDING SYSTEM	14-000-TOC
15-000-TOC	THRESHING SYSTEM	15-000-TOC
16-000-TOC	CLEANING SYSTEM	16-000-TOC
17-000-TOC	GRAIN BIN AND ELEVATOR SYSTEM	17-000-TOC
18-000-TOC	DISCHARGE SYSTEM	18-000-TOC
19-000-TOC	PRECISION FARMING SYSTEMS	19-000-TOC
20-000-TOC	ATTACHMENTS	20-000-TOC
21-000-TOC	ACCESSORIES	21-000-TOC

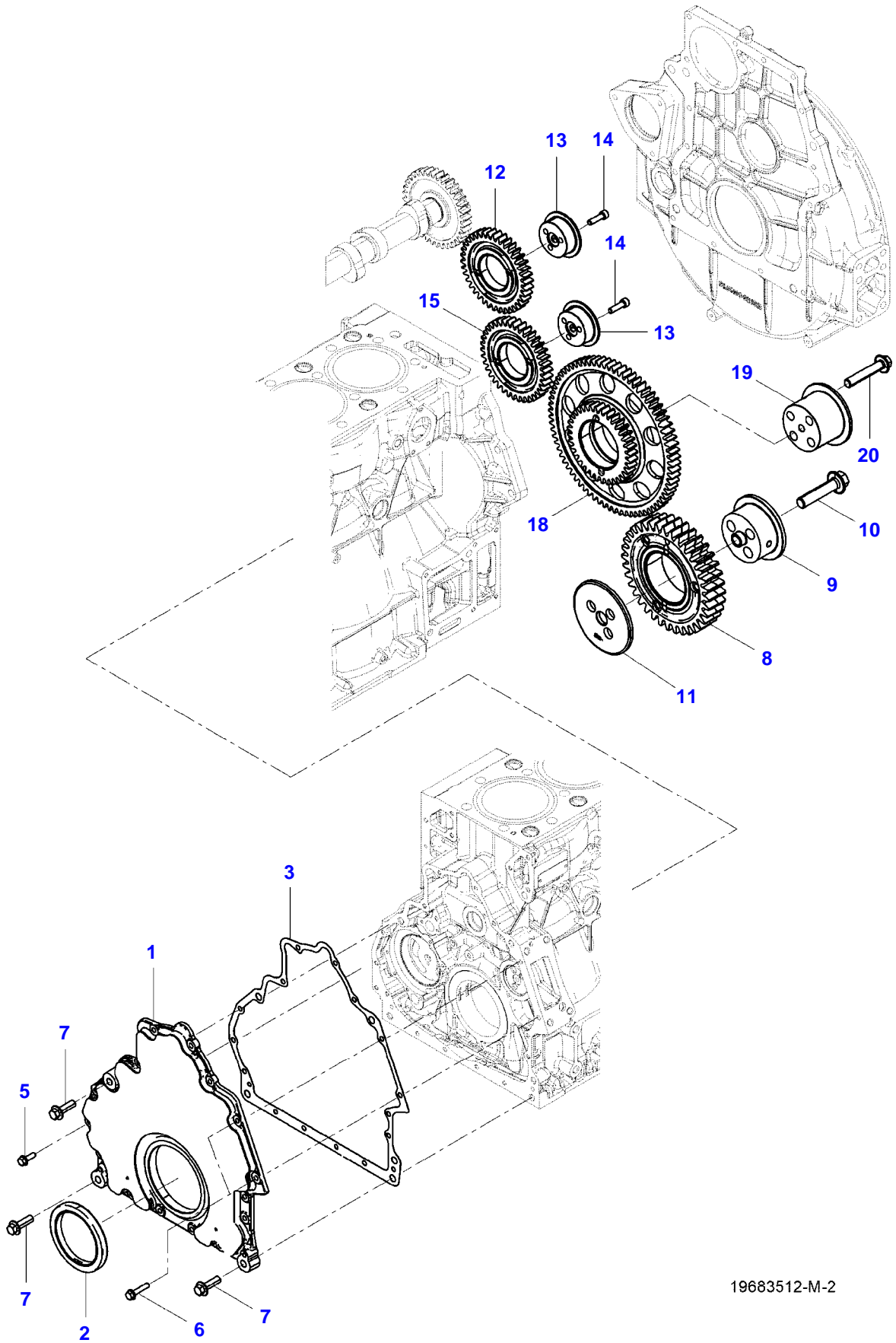
IDEAL 8 COMBINE (ZN2G0008C03020001-999)  
19683708-M-2



19683708-M-2

Item	Part Number	Qty	Description Comments	Technical Specification
<b>ENGINE : TIER 4F</b>				
1	ACP0353470	1	CRANKCASE	
2	72624342	6	OIL SPLASH NOZZLE	
3	ACP0410440	6	HEX BOLT, WITH COLLAR	M6X12-10.9
4	72624532	14	HEX BOLT, WITH COLLAR	M18X2X160,5-10.9
5	72624564	1	BEARING BUSH	D=102X18
6	72624289	2	DOWEL	16H8X24-ST50-2K
7	72624290	4	DOWEL	8M6X18
8	72624540	3	PLUG SCREW	M22X1,5X9-5.8
11	72311428	12	COVER	
12	72624556	6	CAP COVER	A40,3/14,5-X5CRNI1810N
13	72624337	6	CYLINDER LINER	
14	ACP0425080	12	PROFILED CORD SEAL	
16	72624272	1	PLUG SCREW	M16X1,5-ST-M3360-RK9-K
17	72624304	1	SEALING WASHER	16,3X24X1,5-ST/FKM1-80
18	72624273	1	PLUG SCREW	M24X1,5-ST-M3360-RK12-K
19	72624297	1	SEALING WASHER	A26X31-CU
20	72624286	1	SEALING PLUG	6X5-C15PB/9SMNPB28K-BK/BK

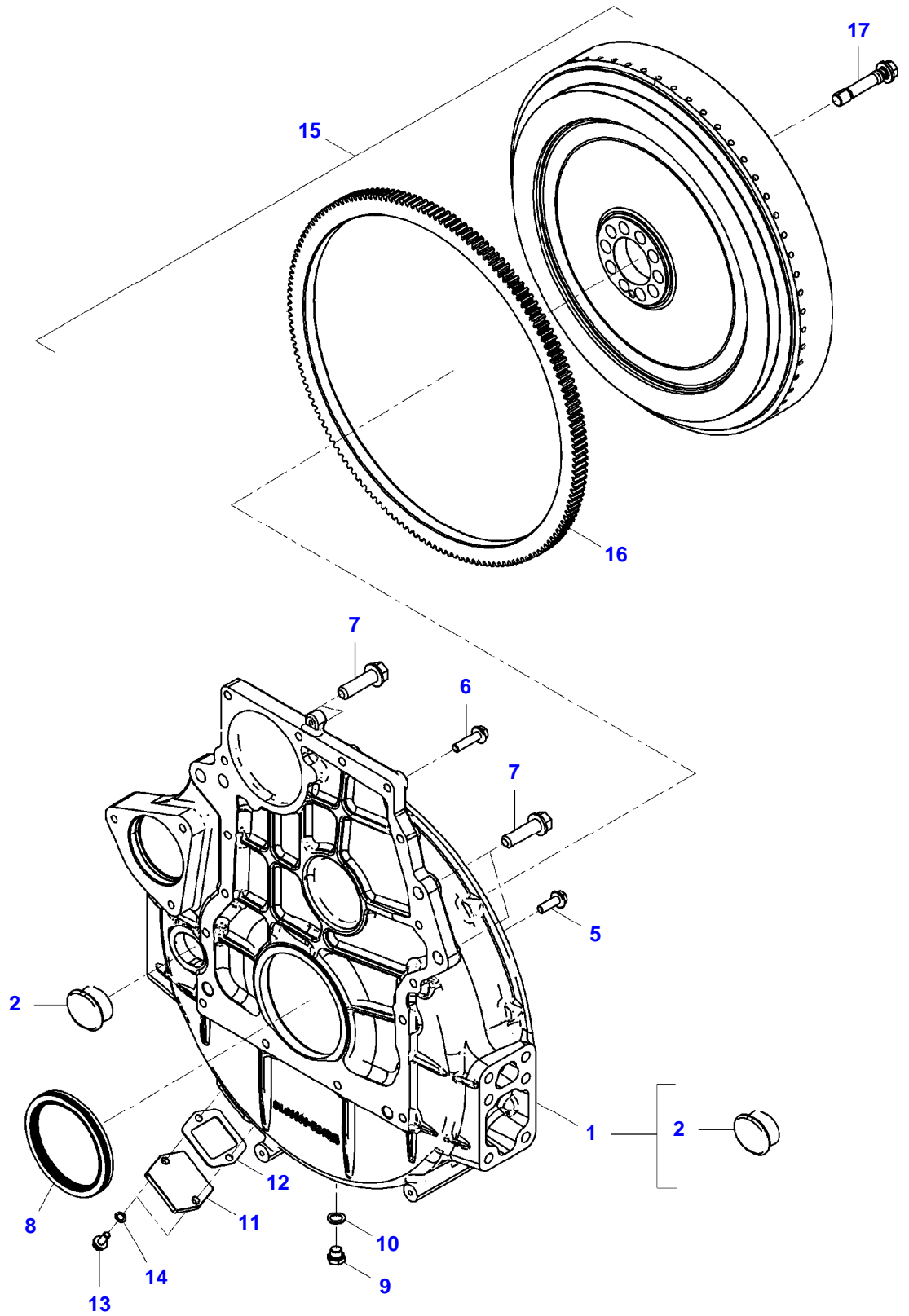
IDEAL 8 COMBINE (ZN2G0008C03020001-999)  
19683512-M-2



19683512-M-2

Item	Part Number	Qty	Description Comments	Technical Specification
<b>ENGINE : TIER 4F</b>				
1	72624339	1	LID	
2	72624340	1	RADIAL SHAFT LIP SEAL	100X130X12
3	72624345	1	HOUSING GASKET	
5	72624231	12	HEX FLANGE CAPSCREW	M8X25-10.9
6	72624234	2	HEX FLANGE CAPSCREW	M8X40-10.9
7	72624250	3	HEX FLANGE CAPSCREW	M12X40-10.9
8	72629236	1	GEAR,IDLER AIR PRESSER	
9	72629237	1	HUB	
10	72624251	3	HEX FLANGE CAPSCREW	M12X55-10.9
11	72624551	1	THRUST WASHER	
12	72624387	1	GEAR,IDLER	
13	72629228	2	HUB	
14	72624213	6	SOCKET HEAD BOLT	M8X30-10.9
15	72624386	1	GEAR,IDLER	
18	72624385	1	GEAR,IDLER	
19	72629229	1	HUB	
20	72624253	4	HEX FLANGE CAPSCREW	M14X80-10.9

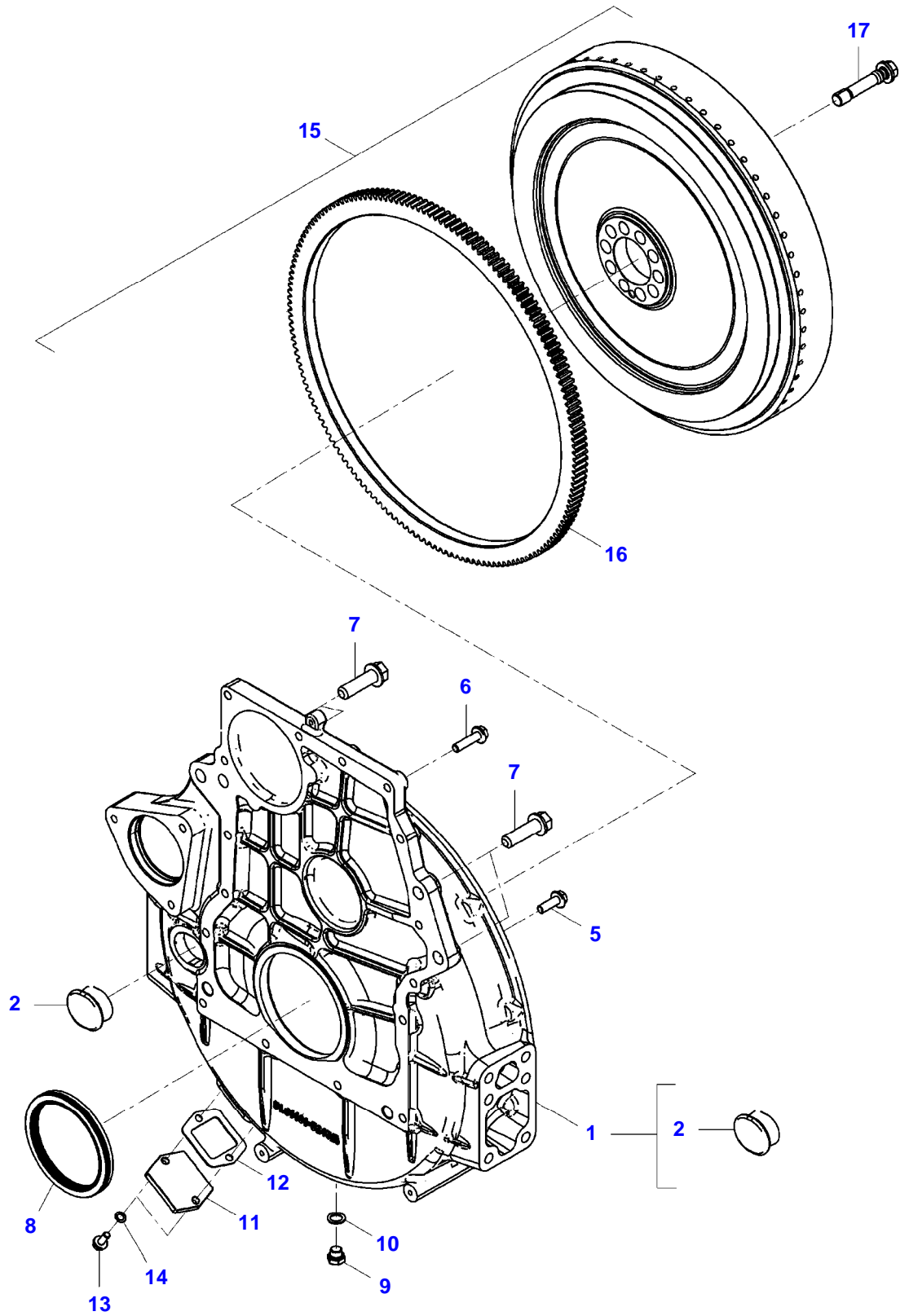
IDEAL 8 COMBINE (ZN2G0008C03020001-999)  
19684221-M-2



19684221-M-2

Item	Part Number	Qty	Description Comments	Technical Specification
			<b>ENGINE : TIER 4F FROM - UP TO ENGINE S/N 21246870224698 - 21247210154728</b>	
1	ACP0353490	1	FLYWHEEL HOUSING	
2	ACP0353770	1	RUBBER PLUG	46/38X19-59/51-CR2-70
5	ACP0353330	9	HEX FLANGE CAPSCREW	M10X30-10.9-MAN183-B1
6	ACP0353340	7	HEX FLANGE CAPSCREW	M10X40-10.9-MAN183-B1
7	ACP0353260	4	HEX BOLT, WITH COLLAR	M16X1,5X55-MAN183-B1
8	72624341	1	RADIAL SHAFT LIP SEAL	115X140X12LD-ACM/PTFE
9	ACP0353350	1	PLUG SCREW	AM14X1,5-ST-MAN183-B1
10	72624303	1	SEALING WASHER	14,3X22X1,5-ST/FKM1-80
11	ACP0353880	1	BLANK FLANGE	
12	ACP0353830	1	GASKET	
13	72624230	2	HEX FLANGE CAPSCREW	M8X20-10.9
14	ACP0353380	2	SEALING WASHER	8,3X14X1-ST/FKM1-80
15	ACP0353550	1	FLYWHEEL INCLUDES ITEMS 16	
16	72624355	1	STARTER RING	
17	72624533	10	HEX BOLT, WITH COLLAR	M16X1,5X81-12.9-ZNPHRF

IDEAL 8 COMBINE (ZN2G0008C03020001-999)  
23187799-M-1

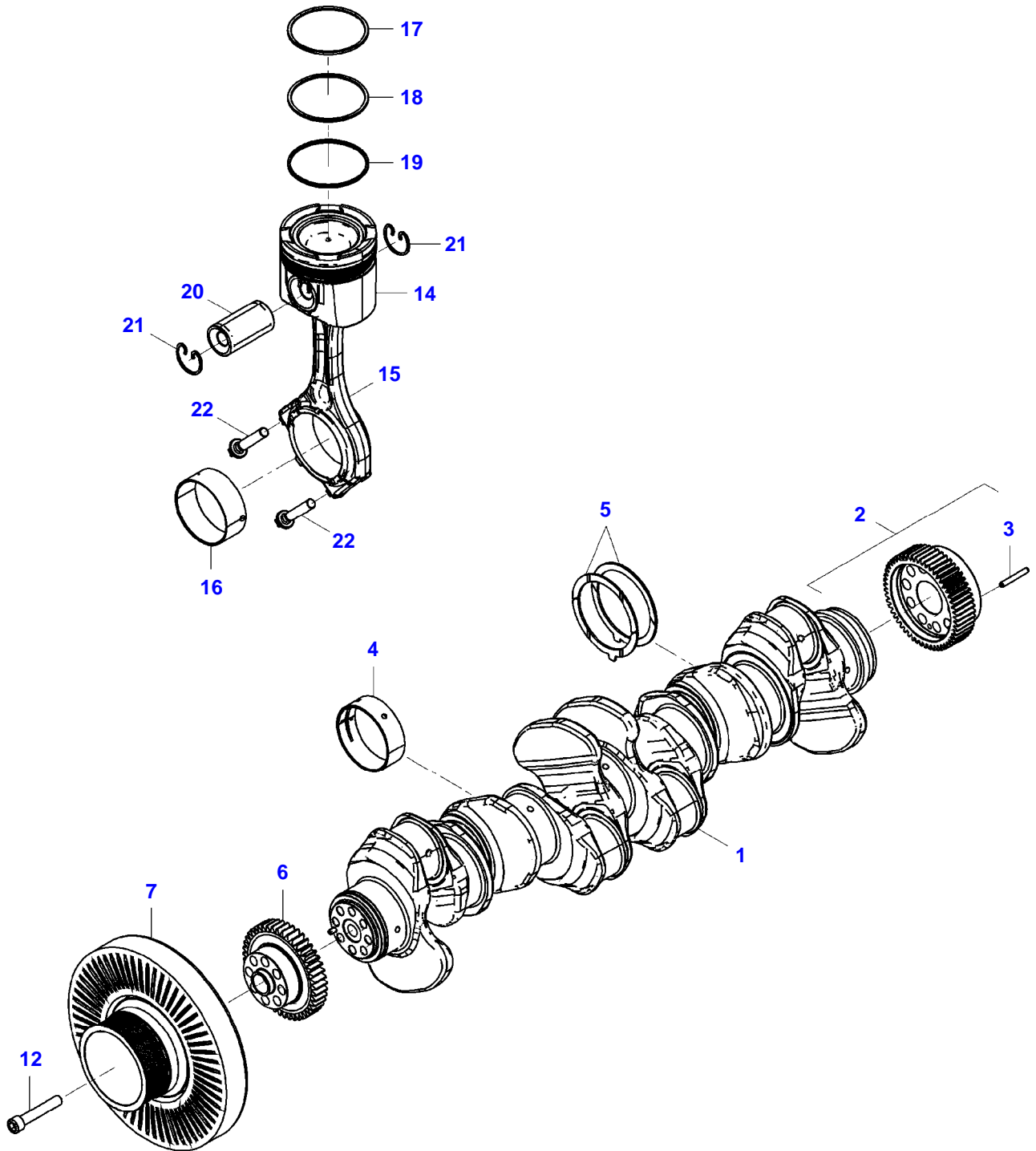


23187799-M-1



Item	Part Number	Qty	Description Comments	Technical Specification
			<b>ENGINE : TIER 4F FROM ENGINE S/N 51850450185050</b>	
1	ACP0426890	1	FLYWHEEL HOUSING	
2	ACP0353770	1	RUBBER PLUG	46/38X19-59/51-CR2-70
5	ACP0353330	9	HEX FLANGE CAPSCREW	M10X30-10.9-MAN183-B1
6	ACP0353340	7	HEX FLANGE CAPSCREW	M10X40-10.9-MAN183-B1
7	ACP0353260	4	HEX BOLT, WITH COLLAR	M16X1,5X55-MAN183-B1
8	72624341	1	RADIAL SHAFT LIP SEAL	115X140X12LD-ACM/PTFE
9	ACP0353350	1	PLUG SCREW	AM14X1,5-ST-MAN183-B1
10	72624303	1	SEALING WASHER	14,3X22X1,5-ST/FKM1-80
11	ACP0353880	1	BLANK FLANGE	
12	ACP0353830	1	GASKET	
13	72624230	2	HEX FLANGE CAPSCREW	M8X20-10.9
14	ACP0353380	2	SEALING WASHER	8,3X14X1-ST/FKM1-80
15	ACP0426900	1	FLYWHEEL INCLUDES ITEMS 16	
16	ACP0427450	1	STARTER RING	
17	ACP0426920	10	HEX BOLT, WITH COLLAR	M16X1,5X81-12.9

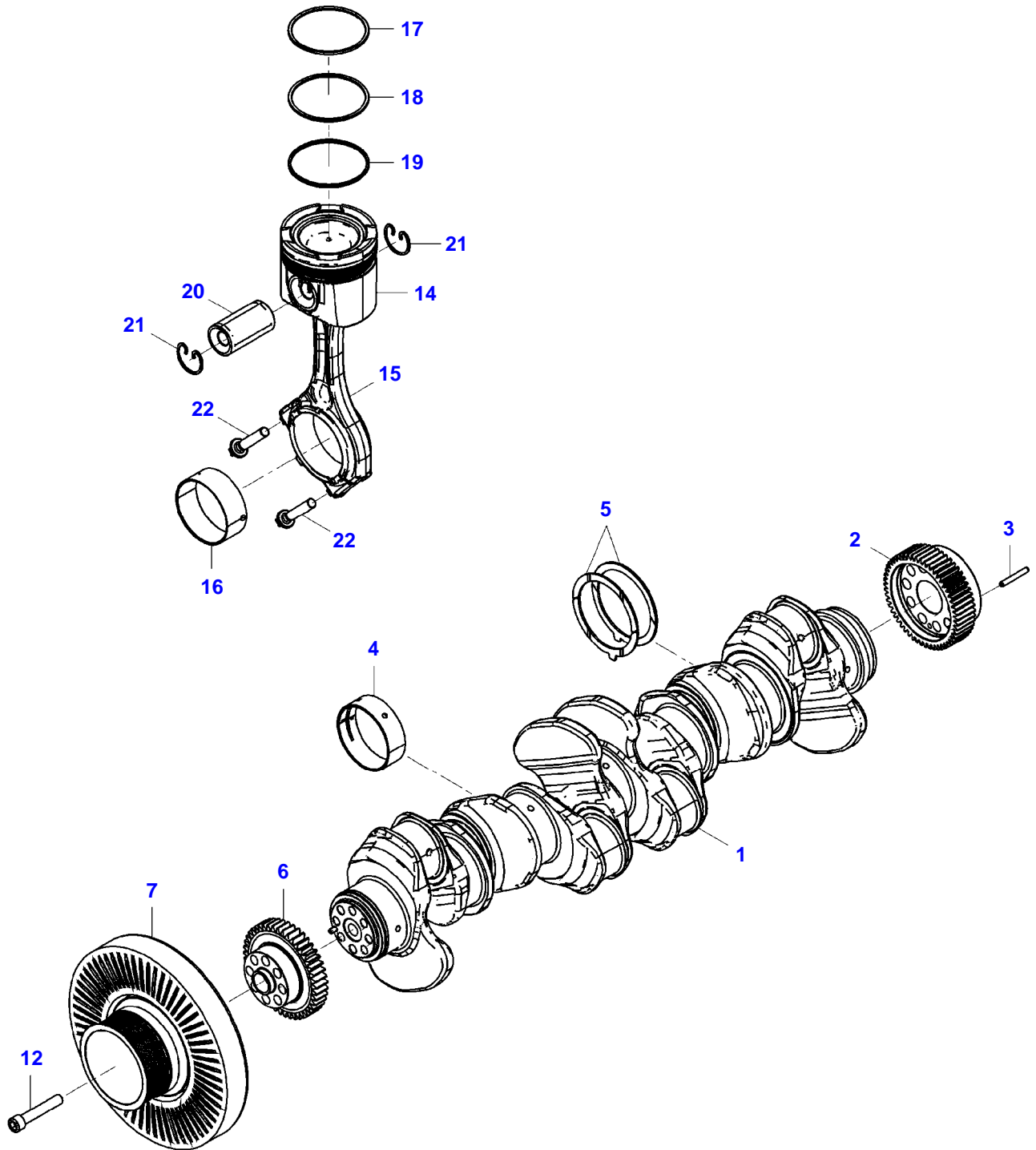
IDEAL 8 COMBINE (ZN2G0008C03020001-999)  
19684968-M-2



19684968-M-2

Item	Part Number	Qty	Description Comments	Technical Specification
			<b>ENGINE : TIER 4F FROM - UP TO ENGINE S/N 21246870224698 - 21247210154728</b>	
1	ACP0353530	1	CRANKSHAFT	
2	72624350	1	CRANKSHAFT GEAR INCLUDES ITEMS 3	
3	72624291	1	SPIRAL PIN	8X60-ST
4	72624330	7	MAIN BEARING	
5	72624336	2	THRUST WASHER	
6	72624349	1	CRANKSHAFT GEAR	
7	ACP0353540	1	CRANKSHAFT VIBRATION DAMPENER	
12	ACP0353250	8	SOCKET HEAD BOLT	M16X1,5X90-10.9-MAN183-B1
14	72627503	6	PISTON	D=126X103
15	72627504	6	PISTON ROD	340X115X43
16	72624357	6	CONROD BEARING	D=95X36
17	ACP0427080	1	TRAP SECTION RG.	
18	ACP0427090	1	CHAMFER PIST.RG.	
19	ACP0427100	1	U/MKME-CHAMF.RG.	
20	ACP0427110	1	PISTON PIN	
21	72624553	2	SNAPRING	52X2-FDST
22	72624545	2	HEXAGON FLANGE BOLT	M13X1,5X66-11.9

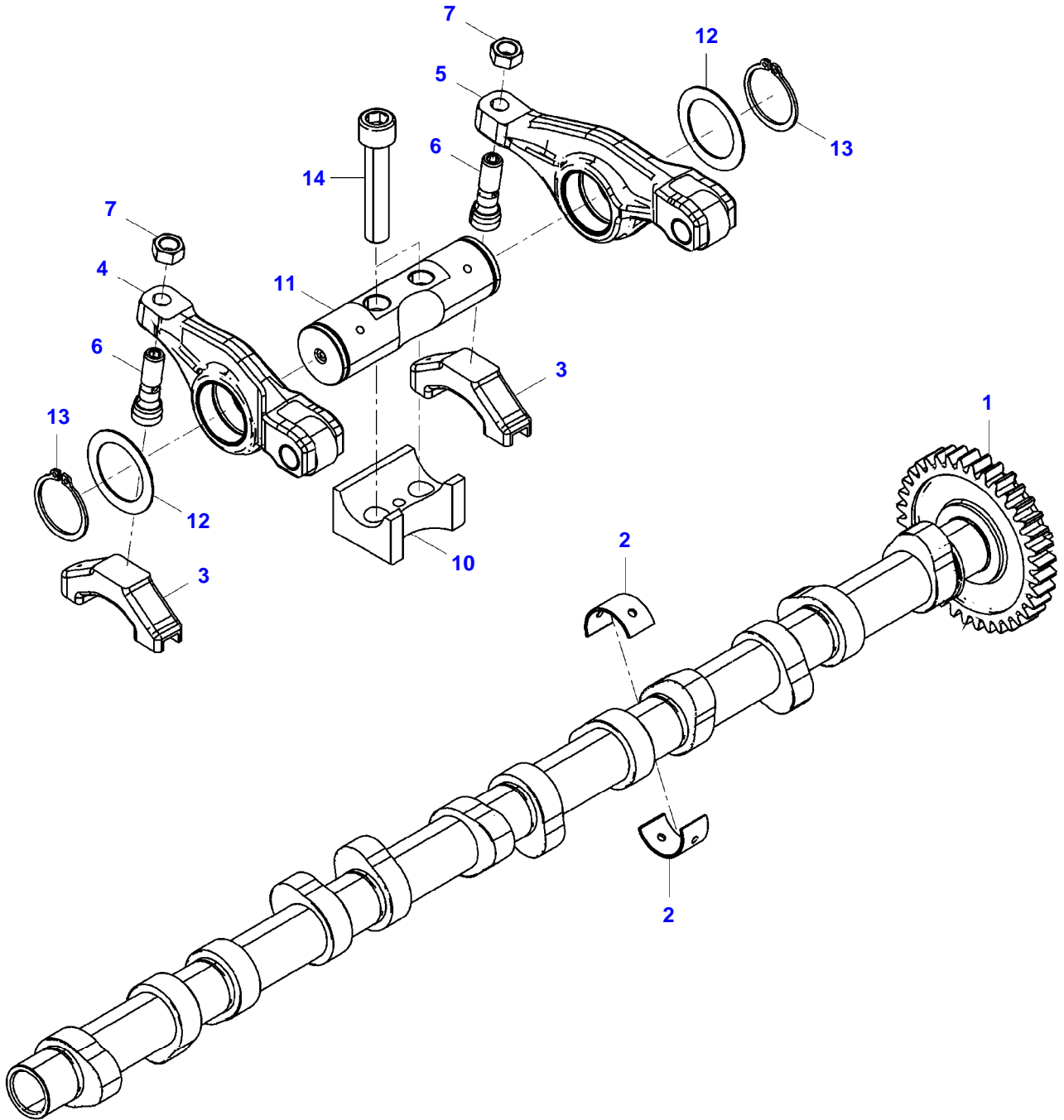
IDEAL 8 COMBINE (ZN2G0008C03020001-999)  
23187106-M-1



23187106-M-1

Item	Part Number	Qty	Description Comments	Technical Specification
			<b>ENGINE : TIER 4F FROM ENGINE S/N 51850450185050</b>	
1	ACP0353530	1	CRANKSHAFT	
2	ACP0426880	1	CRANKSHAFT GEAR	
3	72624291	1	SPIRAL PIN	8X60-ST
4	72624330	7	MAIN BEARING	
5	72624336	2	THRUST WASHER	
6	72624349	1	CRANKSHAFT GEAR	
7	ACP0353540	1	CRANKSHAFT VIBRATION DAMPENER	
12	ACP0353250	8	SOCKET HEAD BOLT	M16X1,5X90-10.9-MAN183-B1
14	ACP0427070	6	PISTON	
15	72627504	6	PISTON ROD	340X115X43
16	72624357	6	CONROD BEARING	D=95X36
17	ACP0427080	1	TRAP.SECTION RG.	
18	ACP0427090	1	CHAMFER PIST.RG.	
19	ACP0427100	1	U/MKME-CHAMF.RG.	
20	ACP0427110	1	PISTON PIN	
21	72624553	2	SNAPRING	52X2-FDST
22	72624545	2	HEXAGON FLANGE BOLT	M13X1,5X66-11.9

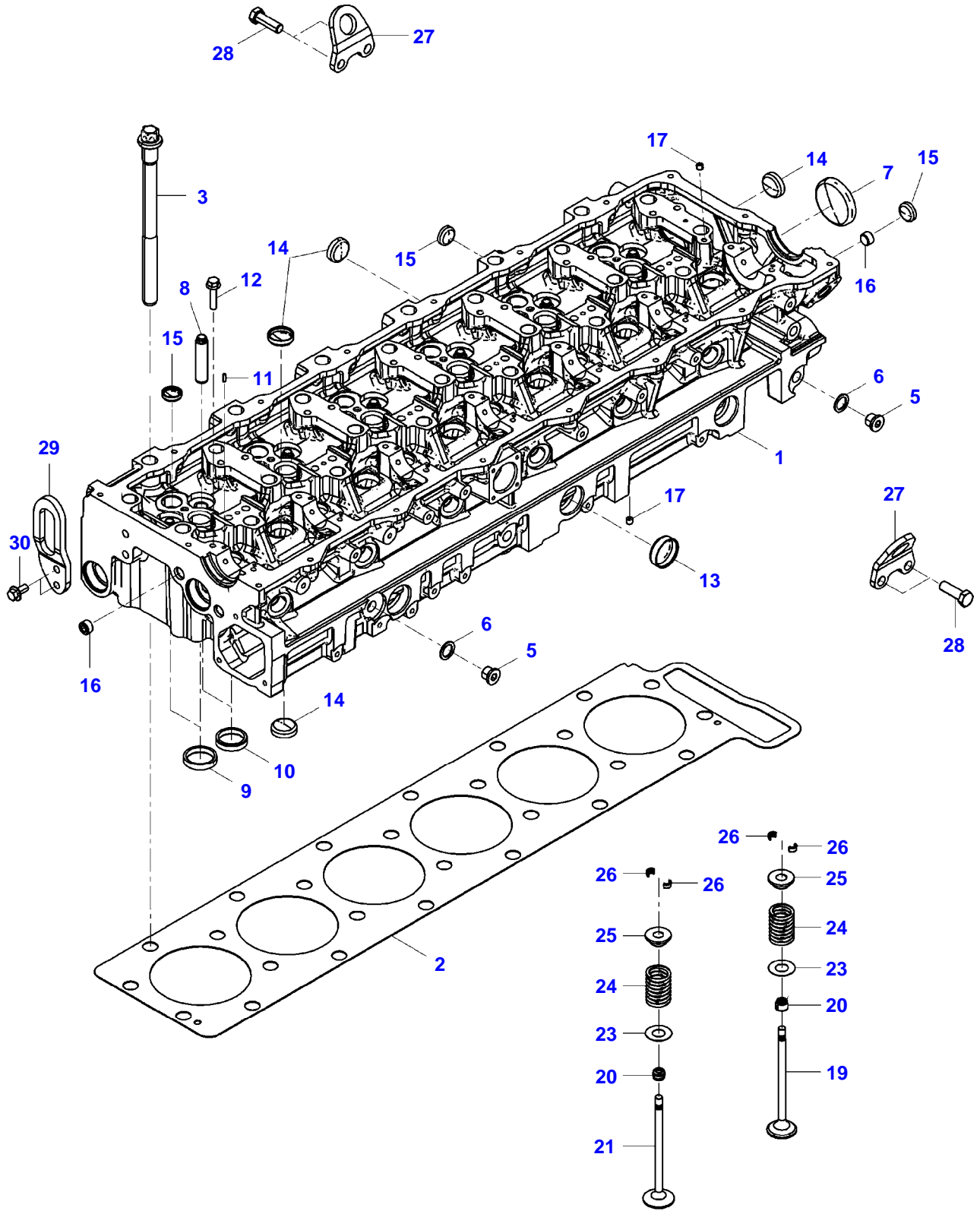
IDEAL 8 COMBINE (ZN2G0008C03020001-999)  
19694171-M-2



19694171-M-2

Item	Part Number	Qty	Description Comments	Technical Specification
<b>ENGINE : TIER 4F</b>				
1	72624383	1	CAMSHAFT	
2	72624384	14	CAMSHAFT BUSHING	D=45X26
3	72624377	12	VALVE BRIDGE	
4	72624378	1	ROCKER ARM	
5	72624379	1	ROCKER ARM	
6	72624382	2	ADJUSTING SCREW	
7	72313252	2	NUT	
10	72629239	1	BEARING SUPPORT	
11	72624381	1	ROCKER SHAFT ASM	
12	72624547	2	SHIM RING	32X45D12X1-DIN1544
13	72624292	2	LOCK WASHER	32X1,50-ZNPHR5F
14	72624215	2	SOCKET HEAD BOLT	M12X60-10.9

IDEAL 8 COMBINE (ZN2G0008C03020001-999)  
19691160-M-2

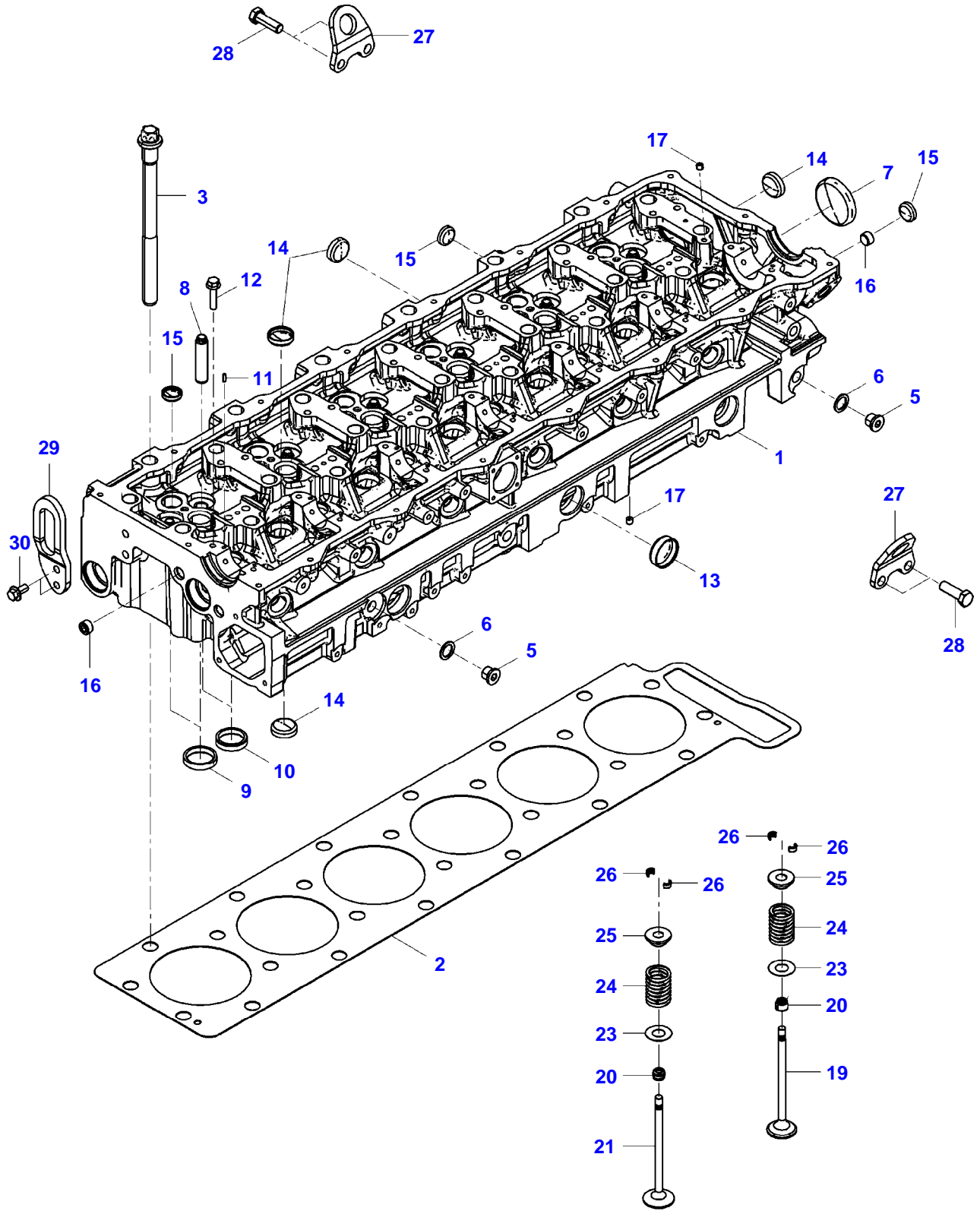


19691160-M-2



Item	Part Number	Qty	Description Comments	Technical Specification
			<b>ENGINE : TIER 4F FROM - UP TO ENGINE S/N 21246870224698 - 21247210154728</b>	
1	72627883	1	CYLINDER HEAD	70HZ
2	72624371	1	CYLINDER HEAD GASKET	
3	72630163	26	HEXAGON FLANGE BOLT	M18X2X246
5	72624272	3	PLUG SCREW	M16X1,5-ST-M3360-RK9-K
6	72624304	3	SEALING WASHER	16,3X24X1,5-ST/FKM1-80
7	72624558	1	CAP COVER	A63,1/12,5-X5CRNI1810N
8	72624367	24	VALVE GUIDE	
9	72624369	12	VALVE SEAT RING INLET	
10	72627821	12	VALVE SEAT RING OUTLET	
11	72624287	14	DOWEL	4H8X10-ST50-2K
12	72624217	14	HEX FLANGE CAPSCREW	M8X35-8.8
13	72311424	3	COVER	
14	72311428	38	COVER	
15	72311429	15	COVER	
16	72624541	4	PLUG SCREW	M16X1,5-ST-M3360-RK8-K
17	72417088	2	SEALING PLUG	
19	72629225	12	EXHAUST VALVE	
20	72624390	24	VALVE STEM SEAL	
21	72624372	12	INLET VALVE	
23	72624548	24	SHIM	16,5X34X0,5-C67S+OT
24	72624374	24	VALVE SPRING	
25	72624375	24	VALVE SPRING RETAINER	
26	72624376	48	VALVE SPRING KEY	
27	ACP0353640	2	SUSPENSION EYE	
28	ACP0353240	4	HEXAGONAL HEAD BOLT	M16X30-8.8-MAN183-A3C
29	ACP0353650	1	SUSPENSION EYE	
30	72624209	2	HEXAGONAL HEAD BOLT	M12X30SK-10.9

IDEAL 8 COMBINE (ZN2G0008C03020001-999)  
23205593-M-1

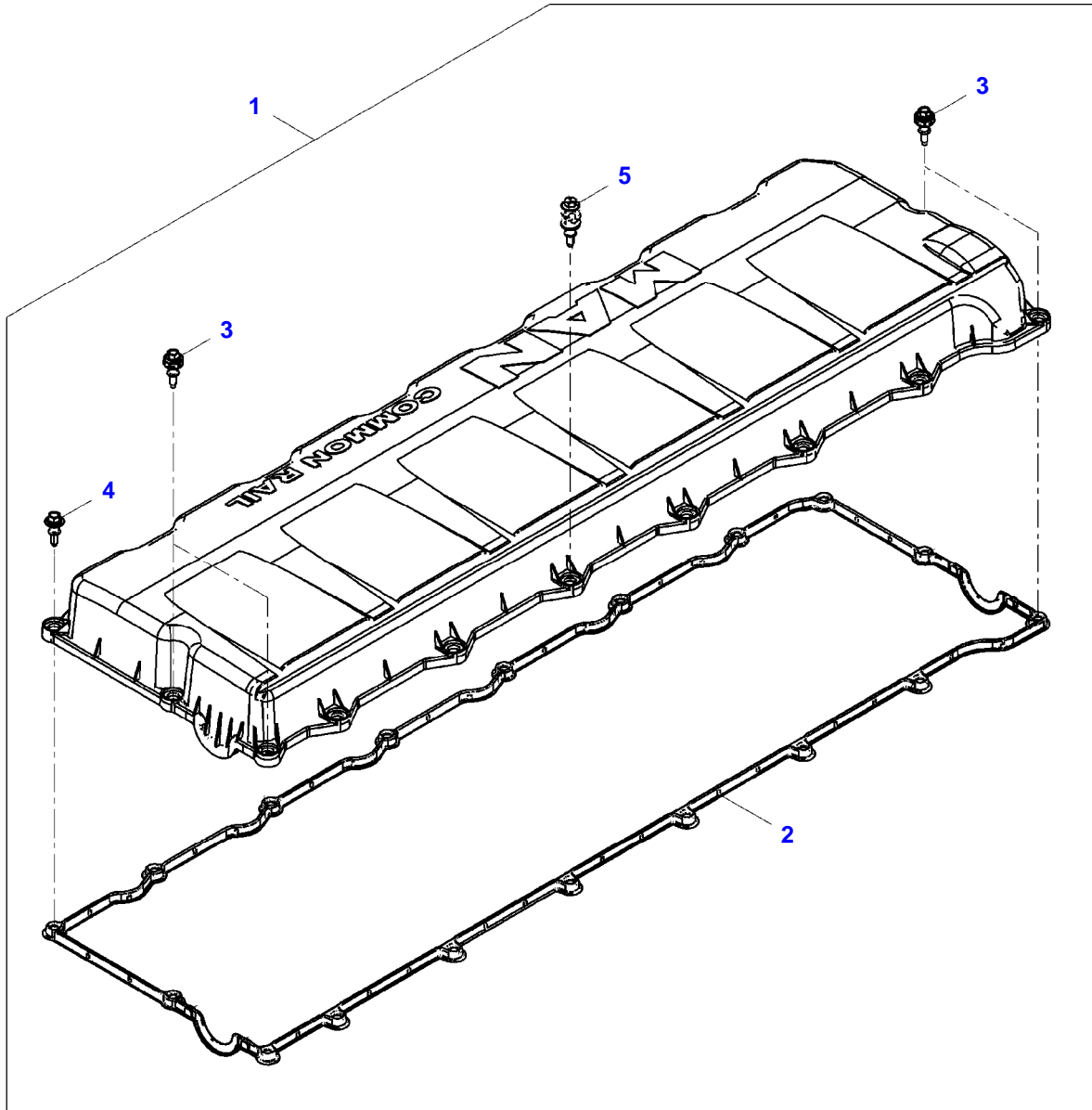


23205593-M-1

## CYLINDER HEAD AND VALVES

Item	Part Number	Qty	Description Comments	Technical Specification
			<b>ENGINE : TIER 4F FROM ENGINE S/N 51850450185050</b>	
1	ACP0427140	1	CYLINDER HEAD	
2	72624371	1	CYLINDER HEAD GASKET	
3	72630163	26	HEXAGON FLANGE BOLT	M18X2X246
5	72624272	3	PLUG SCREW	M16X1,5-ST-M3360-RK9-K
6	72624304	3	SEALING WASHER	16,3X24X1,5-ST/FKM1-80
7	72624558	1	CAP COVER	A63,1/12,5-X5CRNI1810N
8	72624367	24	VALVE GUIDE	
9	72624369	12	VALVE SEAT RING INLET	
10	ACP0427150	12	VALVE SEAT RING OUTLET	
11	72624287	14	DOWEL	4H8X10-ST50-2K
12	72624217	14	HEX FLANGE CAPSCREW	M8X35-8.8
13	72311424	3	COVER	
14	72311428	38	COVER	
15	72311429	15	COVER	
16	72624541	4	PLUG SCREW	M16X1,5-ST-M3360-RK8-K
17	72417088	2	SEALING PLUG	
19	72629225	12	EXHAUST VALVE	
20	72624390	24	VALVE STEM SEAL	
21	72624372	12	INLET VALVE	
23	72624548	24	SHIM	16,5X34X0,5-C67S+OT
24	72624374	24	VALVE SPRING	
25	72624375	24	VALVE SPRING RETAINER	
26	72624376	48	VALVE SPRING KEY	
27	ACP0353640	2	SUSPENSION EYE	
28	ACP0353240	4	HEXAGONAL HEAD BOLT	M16X30-8.8-MAN183-A3C
29	ACP0353650	1	SUSPENSION EYE	
30	72624209	2	HEXAGONAL HEAD BOLT	M12X30SK-10.9

IDEAL 8 COMBINE (ZN2G0008C03020001-999)  
19691111-M-2



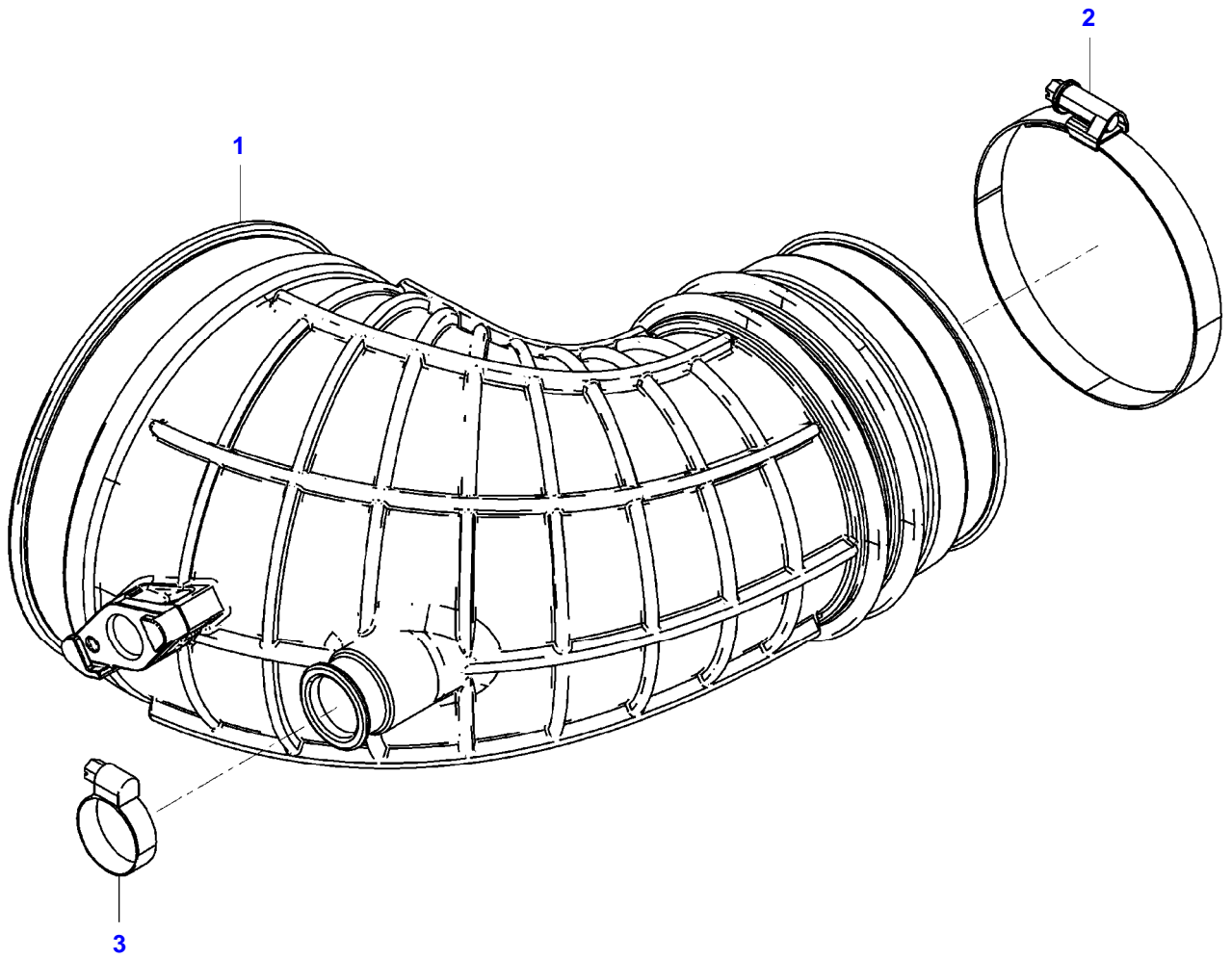
Силиконові герметики
Силиконові герметики
Силиконові герметики

19691111-M-2

Item	Part Number	Qty	Description Comments
			<b>ENGINE : TIER 4F</b>
1	72624370	1	CYLINDER HEAD COVER INCLUDES ITEMS 2-5
2	ACP0153600	1	CYLINDER HEAD COVER SEAL
3	72624570	4	INSULATING MATERIAL
4	72624571	8	BUSHING
5	72624546	6	SCREW
6	ACP0428260	1	NOTE PLATE VALVES

IDEAL 8 COMBINE (ZN2G0008C03020001-999)  
19717112-M-2

---

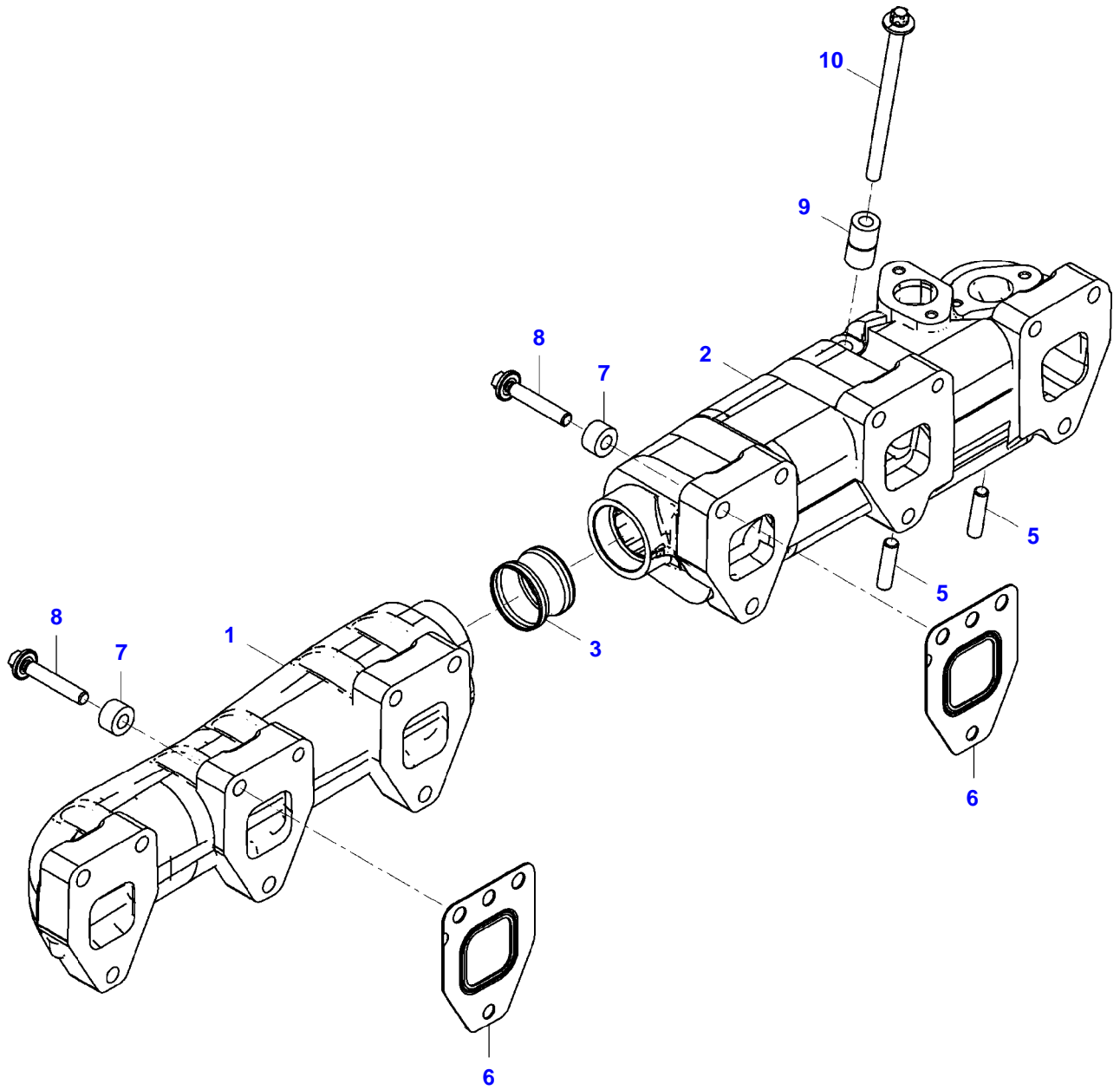


19717112-M-2

---

Item	Part Number	Qty	Description Comments	Technical Specification
			<b>ENGINE : TIER 4F</b>	
1	ACP0300480	1	AIR TUBE	
2	ACP0353440	1	HOSE CLIP	
3	ACP0353430	1	HOSE CLIP	L20-32

IDEAL 8 COMBINE (ZN2G0008C03020001-999)  
19694765-M-2

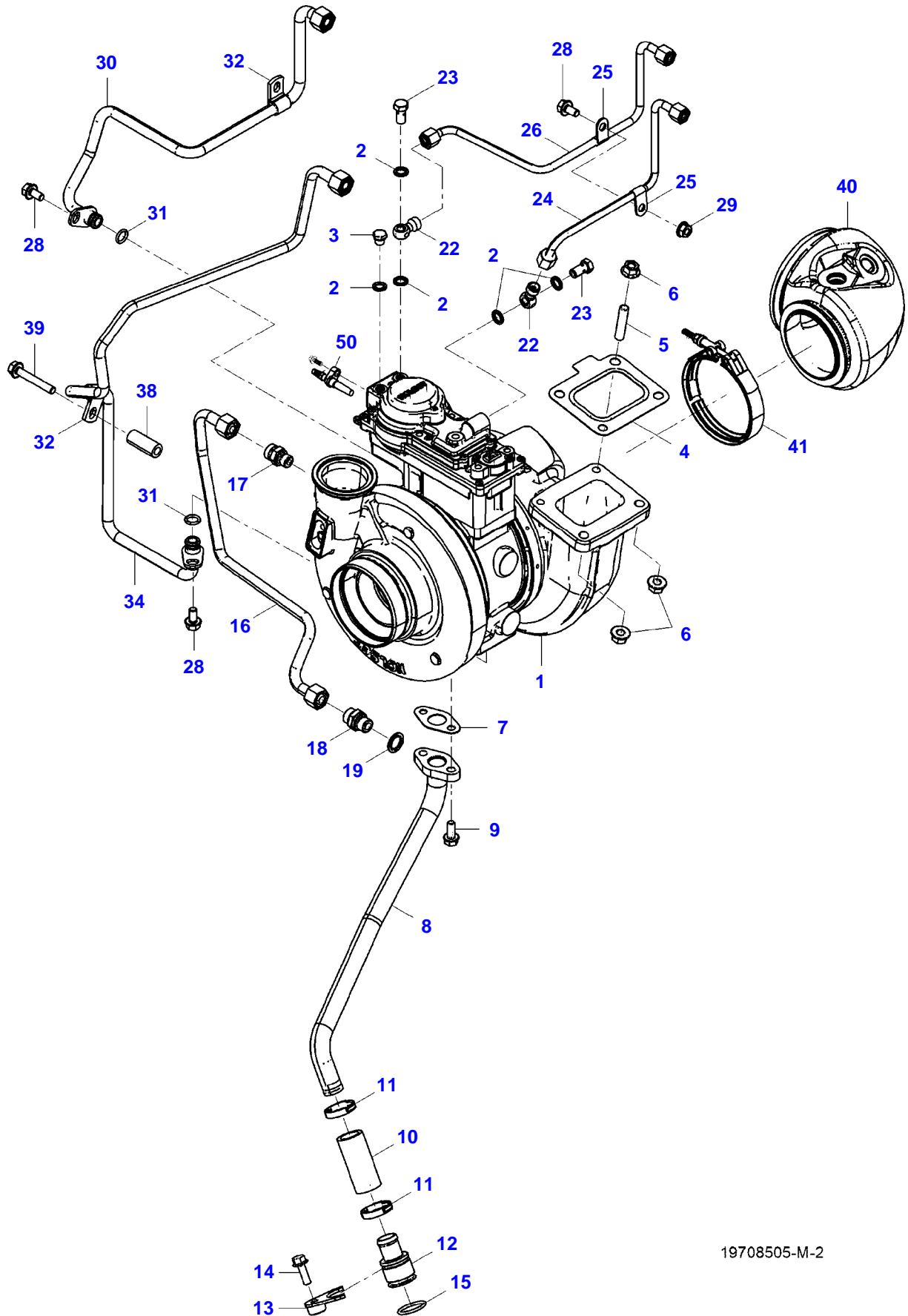


19694765-M-2



Item	Part Number	Qty	Description Comments	Technical Specification
<b>ENGINE : TIER 4F</b>				
1	72624440	1	EXHAUST ELBOW	
2	72627944	1	EXHAUST ELBOW	
3	72624442	1	CONNECTING PIECE	
5	72624538	2	STUD BOLT	M10X30-SD
6	72624452	6	GASKET	
7	ACP0353750	18	BUSHING	10,5X22X13
8	72315395	18	WASHER HEAD BOLT	
9	72624563	1	BUSHING	10,5X20X37-21CRMOV57V
10	72624544	1	HEXAGON FLANGE BOLT	M10X145-1.4980-E14-SD

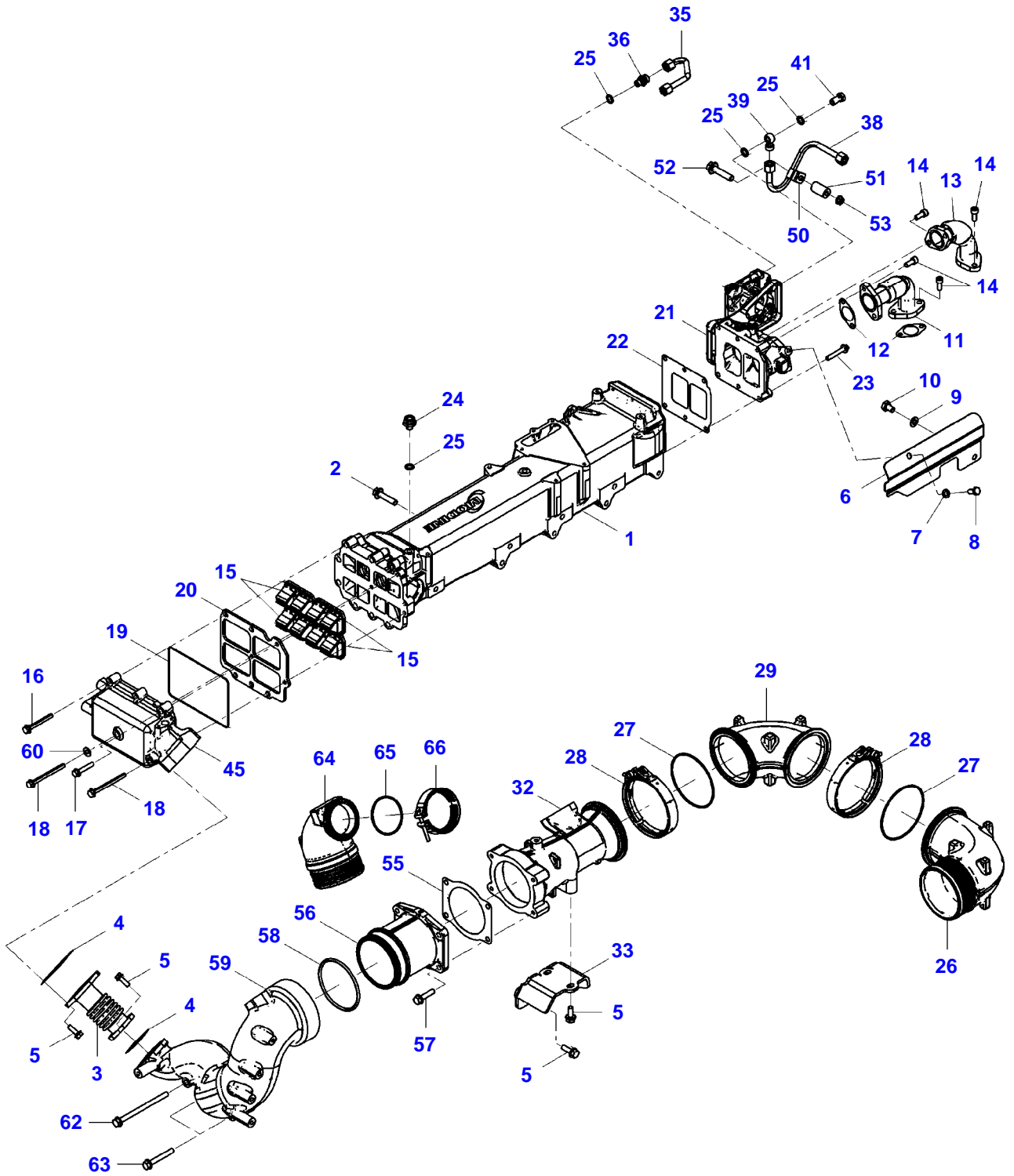
IDEAL 8 COMBINE (ZN2G0008C03020001-999)  
19708505-M-2



19708505-M-2

Item	Part Number	Qty	Description Comments	Technical Specification
<b>ENGINE : TIER 4F</b>				
1	ACP0300490	1	TURBOCHARGER	
2	72624301	5	SEALING WASHER	10,3X16X1,5-ST/FKM1-80
3	72608291	1	SCREW	
4	72624453	1	GASKET	
5	72624539	1	STUD BOLT	M10X35-SD
6	72624276	3	SHOULDER HEX NUT	M10-GA-C3J
7	72624454	1	GASKET	
8	72624402	1	OIL RETURN LINE	
9	72624230	2	HEX FLANGE CAPSCREW	M8X20-10.9
10	72312632	1	HOSE	
11	72624590	2	HOSE CLIP	29,9-33,1
12	72624601	1	HOSE BARB	22/33F8X30-11SMNPB30-P3K
13	72624328	1	HOLDER	
14	72624231	1	HEX FLANGE CAPSCREW	M8X25-10.9
15	72624300	1	O-RING SEAL	28X3B-FPM1-80-GN
16	72624401	1	OIL PRESSURE LINE	
17	72624602	1	SOCKET	
18	72624321	1	THREADED SOCKET	L12A-M-ST
19	72624304	1	SEALING WASHER	16,3X24X1,5-ST/FKM1-80
22	72624594	2	BANJO UNION	D10,1/M14X1,5
23	72627849	2	BANJO BOLT	
24	72624415	1	COOLANT LINE INCLUDES ITEMS 25	
25	72624585	2	TUBE CLAMP	A8X16X28-9-UST37-2
26	72624416	1	COOLANT LINE INCLUDES ITEMS 25	
28	72624229	4	HEX FLANGE CAPSCREW	M8X16-10.9
29	72624275	1	SHOULDER HEX NUT	M8-8SC-8-SW13
30	ACP0427160	1	COOLANT LINE INCLUDES ITEMS 31,32	
31	ACP0353400	2	SEALING WASHER	12,42X1,78N-FKM2-70
32	72624584	2	TUBE CLAMP	B12,1X20X33-9X13-UST37-2
34	ACP0427170	1	COOLANT LINE INCLUDES ITEMS 31,32	
38	ACP0353720	1	BUSHING	9X16X39-9SMNPB28K-A3C
39	72624235	1	HEX FLANGE CAPSCREW	M8X55-10.9
40	ACP0427180	1	EXHAUST MANIFOLD	
41	72624591	1	PROFILE CLIP	
50	72624517	1	ENGINE SPEED SENSOR	

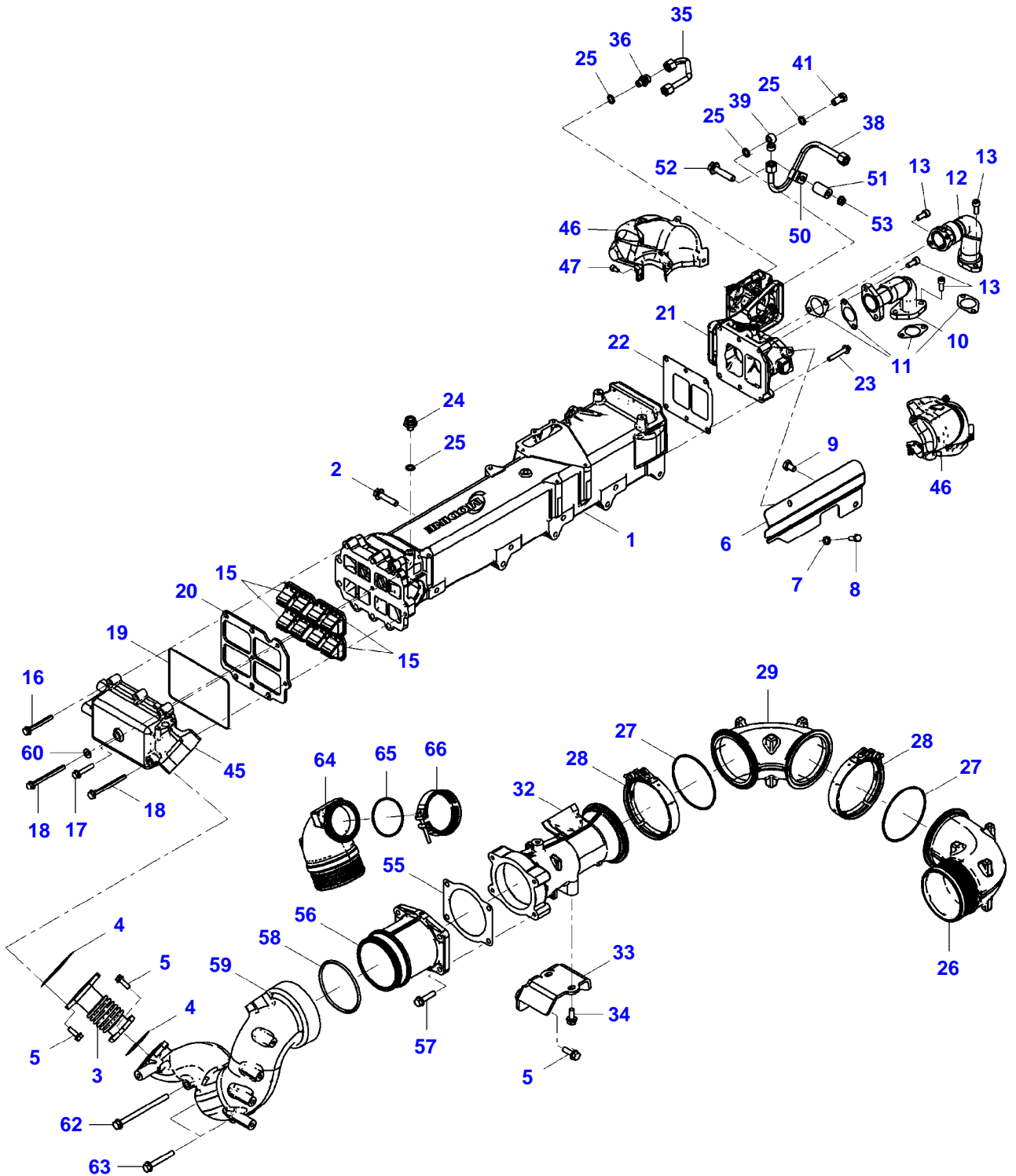
IDEAL 8 COMBINE (ZN2G0008C03020001-999)  
19714126-M-2



19714126-M-2

Item	Part Number	Qty	Description Comments	Technical Specification
			<b>ENGINE : TIER 4F FROM - UP TO ENGINE S/N 21246870224698 - 21247210154728</b>	
1	ACP0300440	1	EGR-MODULE	
2	72624242	8	HEX FLANGE CAPSCREW	M10X45-10.9
3	72624447	1	EXHAUST PIPE	
4	72624450	2	GASKET	
5	72624231	8	HEX FLANGE CAPSCREW	M8X25-10.9
6	72624443	1	HEAT PROTECTION	
7	72624279	1	WASHER	8X16X1,6-200HV
8	72624208	1	HEXAGONAL HEAD BOLT	M8X20-8.8-C3J
9	72624280	1	WASHER	10X20X2-200HV
10	72624206	1	HEXAGONAL HEAD BOLT	M10X16-8.8
11	72639751	1	EXHAUST PIPE	
12	72639752	2	GASKET	
13	ACP0405500	1	EXHAUST PIPE	
14	72624535	8	SOCKET HEAD BOLT	M8X20-GA-C3J
15	72624662	4	CHECK VALVE	
16	72455491	7	HEXAGONAL HEAD BOLT	
17	72624663	1	HEX FLANGE CAPSCREW	M8X45-10.9
18	72629238	2	HEX FLANGE CAPSCREW	
19	72624451	1	SEALING WASHER	
20	72624445	1	SPACER PLATE	
21	ACP0300500	1	EGR VALVE	
22	72624666	1	GASKET	143X136X0,29
23	72624667	6	HEXAGON FLANGE BOLT	M8X50-1.7709-E12-GA
24	72624605	1	HOSE COUPLER	
25	72624302	4	SEALING WASHER	12,3X18X1,5-ST/FKM1-80
26	ACP0358910	1	CHARGE AIR ELBOW	
27	ACP0353410	2	SEALING WASHER	101,2X2,62N-FPM1-70-GN
28	ACP0353870	2	PROFILE CLIP	
29	ACP0427950	1	CHARGE AIR ELBOW	
32	ACP0427960	1	CHARGE AIR TUBE	
33	ACP0427970	1	HOLDER	
35	72624418	1	COOLANT LINE	
36	72624323	1	THREADED SOCKET	L10A-M12X1,5-ST
38	72629735	1	COOLANT LINE	
39	72310189	1	RING FITTING	
41	72624325	1	BANJO BOLT	8-M3360-RK5-K
45	72624444	1	HOUSING	
50	72629736	1	TUBE CLAMP	
51	72425791	1	SPACER BUSHING	
52	72433860	1	TORX SCREW	
53	72629737	1	SHOULDER HEX NUT	M8
55	ACP0353620	1	GASKET	
56	ACP0358950	1	SPACER PART	
57	72624233	4	HEX FLANGE CAPSCREW	M8X35-10.9
58	ACP0353390	1	SEALING WASHER	92X4,5N-NBR3-70
59	ACP0427980	1	CHARGE AIR ELBOW	
60	ACP0353890	1	SEALING WASHER	9,5X20X1-CU
62	ACP0353310	1	HEX FLANGE CAPSCREW	M8X120-10.9-MAN183-B1
63	ACP0353290	2	HEX FLANGE CAPSCREW	M8X60-10.9-MAN183-B1
64	ACP0353600	1	CHARGE AIR ELBOW	
65	ACP0353810	1	GASKET	
66	ACP0353850	1	PROFILE CLIP	76X20-W1-2

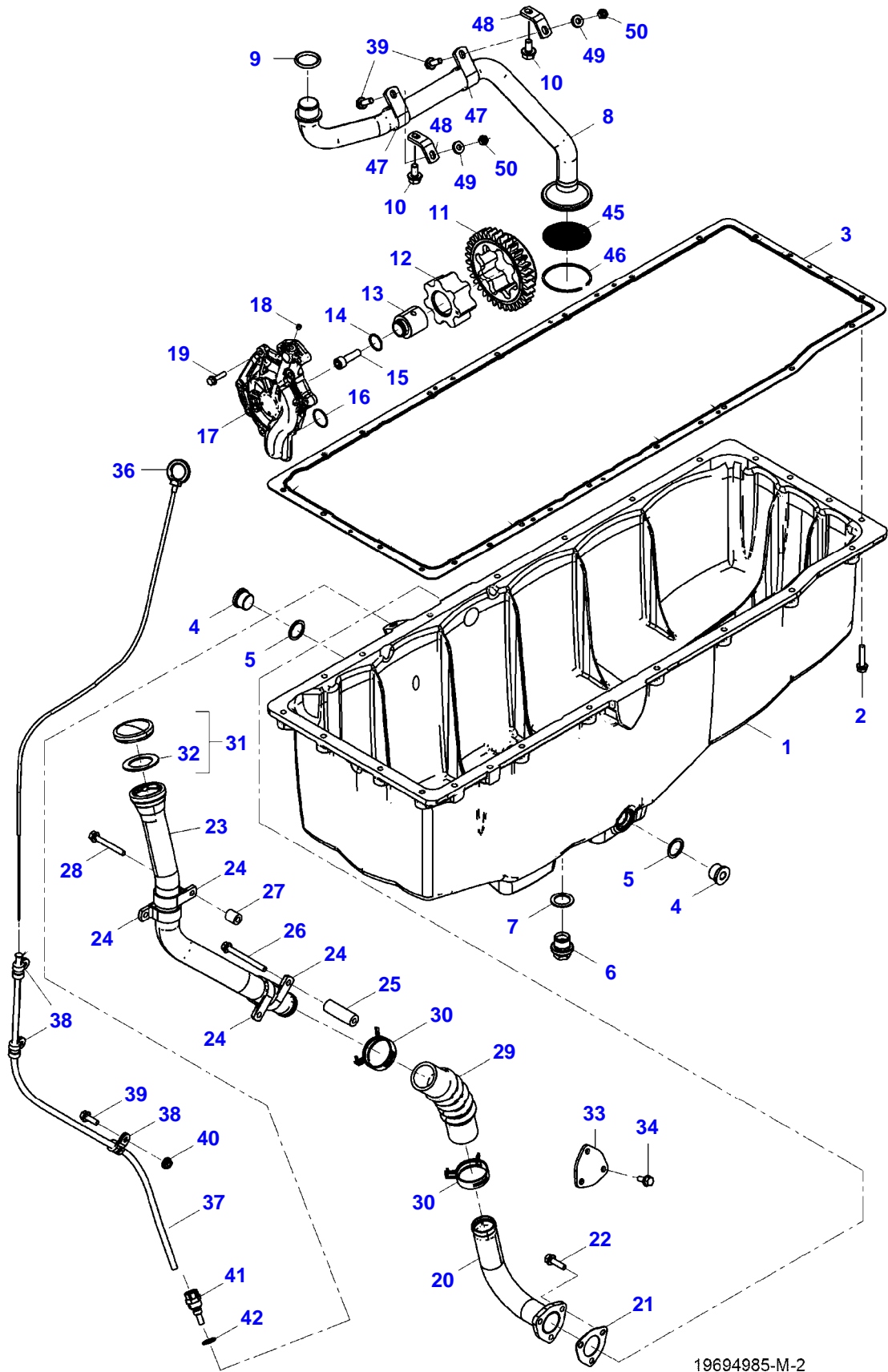
IDEAL 8 COMBINE (ZN2G0008C03020001-999)  
23242374-M-1



23242374-M-1

Item	Part Number	Qty	Description Comments	Technical Specification
			<b>ENGINE : TIER 4F FROM ENGINE S/N 51850450185050</b>	
1	ACP0300440	1	EGR-MODULE	
2	72624242	8	HEX FLANGE CAPSCREW	M10X45-10.9
3	72624447	1	EXHAUST PIPE	
4	72624450	2	GASKET	
5	72624231	6	HEX FLANGE CAPSCREW	M8X25-10.9
6	72624443	1	HEAT PROTECTION	
7	72624279	1	WASHER	8X16X1,6-200HV
8	72624208	1	HEXAGONAL HEAD BOLT	M8X20-8.8-C3J
9	72624222	1	HEX FLANGE CAPSCREW	M10X16-8.8
10	72639751	1	EXHAUST PIPE	
11	72639752	4	GASKET	
12	ACP0405500	1	EXHAUST PIPE	
13	72624535	8	SOCKET HEAD BOLT	M8X20-GA-C3J
15	72624662	4	CHECK VALVE	
16	72455491	7	HEXAGONAL HEAD BOLT	
17	72624663	1	HEX FLANGE CAPSCREW	M8X45-10.9
18	72629238	2	HEX FLANGE CAPSCREW	
19	72624451	1	SEALING WASHER	
20	72624445	1	SPACER PLATE	
21	ACP0300500	1	EGR VALVE	
22	72624666	1	GASKET	143X136X0,29
23	72624667	6	HEXAGON FLANGE BOLT	M8X50-1.7709-E12-GA
24	72624605	1	HOSE COUPLER	
25	72624302	4	SEALING WASHER	12,3X18X1,5-ST/FKM1-80
26	ACP0358910	1	CHARGE AIR ELBOW	
27	ACP0353410	2	SEALING WASHER	101,2X2,62N-FPM1-70-GN
28	ACP0353870	2	PROFILE CLIP	
29	ACP0427950	1	CHARGE AIR ELBOW	
32	ACP0427960	1	CHARGE AIR TUBE	
33	ACP0427970	1	HOLDER	
34	72624230	2	HEX FLANGE CAPSCREW	M8X20-10.9
35	72624418	1	COOLANT LINE	
36	72624323	1	THREADED SOCKET	L10A-M12X1,5-ST
38	72629735	1	COOLANT LINE	
39	72310189	1	RING FITTING	
41	72624325	1	BANJO BOLT	8-M3360-RK5-K
45	72624444	1	HOUSING	
46	ACP0427990	1	INSULATION	
47	ACP0428000	6	SOCKET HEAD BOLT	M6X10-8.8-A2C
50	72629736	1	TUBE CLAMP	
51	72425791	1	SPACER BUSHING	
52	72433860	1	TORX SCREW	
53	72629737	1	SHOULDER HEX NUT	M8
55	ACP0353620	1	GASKET	
56	ACP0358950	1	SPACER PART	
57	72624233	4	HEX FLANGE CAPSCREW	M8X35-10.9
58	ACP0353390	1	SEALING WASHER	92X4,5N-NBR3-70
59	ACP0427980	1	CHARGE AIR ELBOW	
60	ACP0353890	1	SEALING WASHER	9,5X20X1-CU
62	ACP0353310	1	HEX FLANGE CAPSCREW	M8X120-10.9-MAN183-B1
63	ACP0353290	2	HEX FLANGE CAPSCREW	M8X60-10.9-MAN183-B1
64	ACP0353600	1	CHARGE AIR ELBOW	
65	ACP0353810	1	GASKET	
66	ACP0353850	1	PROFILE CLIP	76X20-W1-2

IDEAL 8 COMBINE (ZN2G0008C03020001-999)  
19694985-M-2

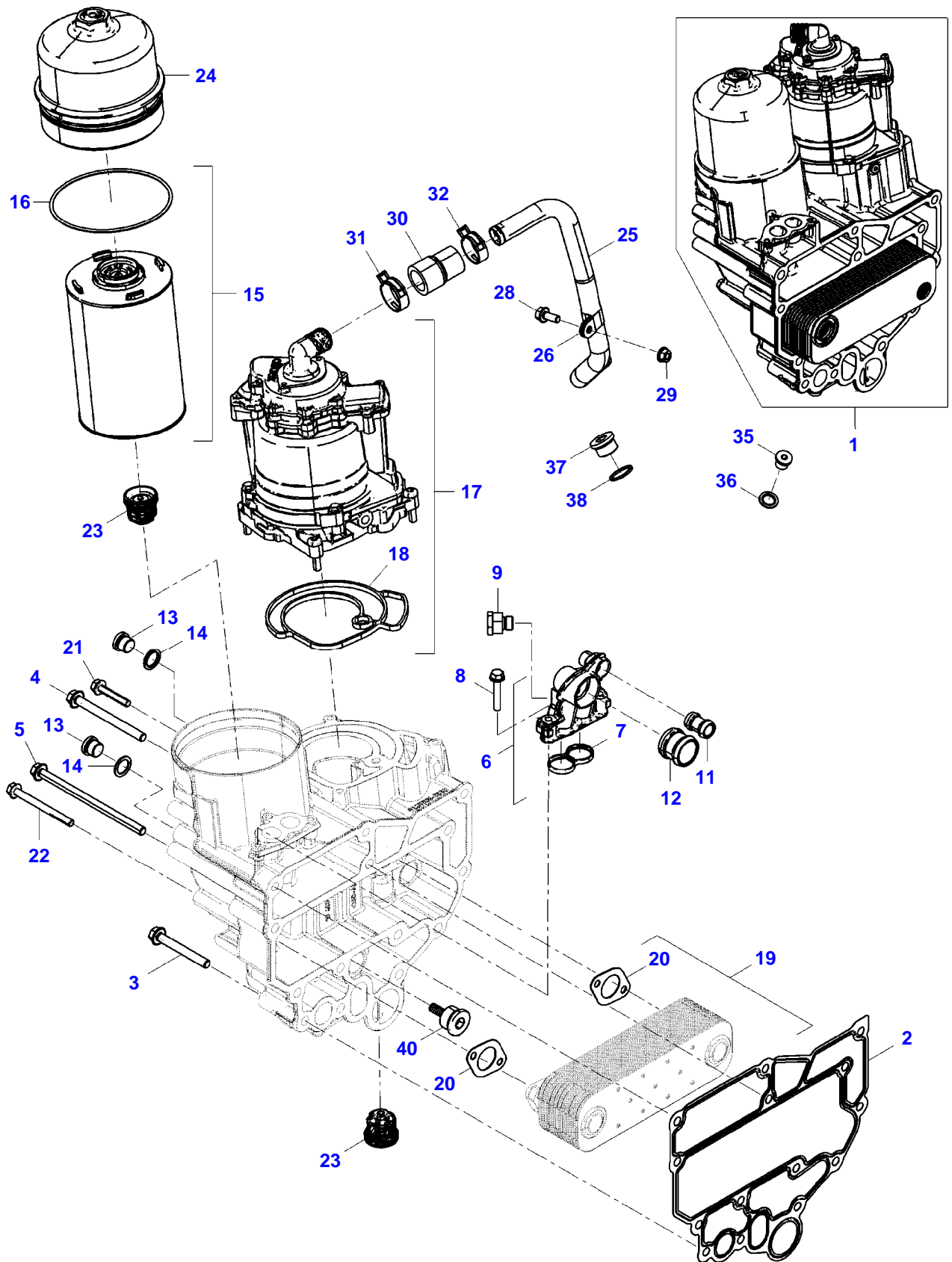


19694985-M-2



Item	Part Number	Qty	Description Comments	Technical Specification
<b>ENGINE : TIER 4F</b>				
1	ACP0427190	1	OIL SUMP	
2	72624234	22	HEX FLANGE CAPSCREW	M8X40-10.9
3	ACP0353580	1	OIL PAN GASKET	
4	72649374	2	PLUG SCREW	M26X1,5-ST-A3C
5	72376037	2	SEALING WASHER	DIN 7603 A26X34-CU
6	ACP0353690	1	PLUG SCREW	M26X1,5X20-9SMNPB28K-PM
7	ACP0353820	1	GASKET	
8	ACP0427200	1	OIL SUCTION LINE	
9	72624309	1	O-RING SEAL	32X5N-FPM1-70-GN
10	72624229	2	HEX FLANGE CAPSCREW	M8X16-10.9
11	72624394	1	HOLLOW GEAR	
12	72624393	1	PUMP DRIVING GEAR	
13	72624395	1	AXLE	
14	72624306	1	O-RING SEAL	22X2N-FPM1-70-GN
15	72624211	1	SOCKET HEAD BOLT	M10X35-10.9
16	72624307	1	O-RING SEAL	25,12X1,78N-FPM1-70-GN
17	72624392	1	OIL PUMP COVER	
18	72417088	1	SEALING PLUG	
19	72624227	8	HEX FLANGE CAPSCREW	M6X25-10.9
20	ACP0358440	1	OIL FILLER NECK	
21	ACP0353520	1	GASKET	
22	72624232	3	HEX FLANGE CAPSCREW	M8X30-10.9
23	ACP0427220	1	FILLING PIPE	
24	ACP0353840	4	PROFILE CLIP	A38X20X44-9-UST37-2
25	ACP0353710	1	BUSHING	8,5X20X60-ST35NBK
26	ACP0353320	1	HEX FLANGE CAPSCREW	M8X85-10.9-MAN183-B1
27	ACP0353700	1	BUSHING	9X18X20-9SMNPB28K
28	ACP0353300	1	HEX FLANGE CAPSCREW	M8X65-10.9-MAN183-B1
29	ACP0353790	1	CORRIGATED HOSE	38X38X190-MAN333
30	ACP0353450	2	SPRING BAND CLAMP	A-49X15
31	72311395	1	COVER	
32	72312231	1	SEAL	
33	72624595	1	BLANK FLANGE	
34	72624230	3	HEX FLANGE CAPSCREW	M8X20-10.9
36	ACP0427230	1	DIPSTICK	
37	ACP0427240	1	GUIDE TUBE	
38	72608293	3	CLIP	
39	72624231	3	HEX FLANGE CAPSCREW	M8X25-10.9
40	ACP0353360	3	LOCKNUT	M8-10-MAN183-B1
41	ACP0408060	1	SCREW NECK	
42	72624303	1	SEALING WASHER	14,3X22X1,5-ST/FKM1-80
45	72624403	1	SIEVE	
46	72624554	1	SNAPRING	73X78,6X2
47	72624588	2	TUBE CLAMP	B32,2X25X46-9X13-S235JRFU-A3C
48	ACP0427210	2	HOLDER	
49	ACP0407730	2	WASHER	9X19X4
50	72624278	2	LOCKNUT	BM8-8

IDEAL 8 COMBINE (ZN2G0008C03020001-999)  
19684522-M-2



19684522-M-2

Thank you so much for reading.  
Please click the “Buy Now!”  
button below to download the  
complete manual.



After you pay.

You can download the most  
perfect and complete manual in  
the world immediately.

Our support email:

[ebooklibonline@outlook.com](mailto:ebooklibonline@outlook.com)