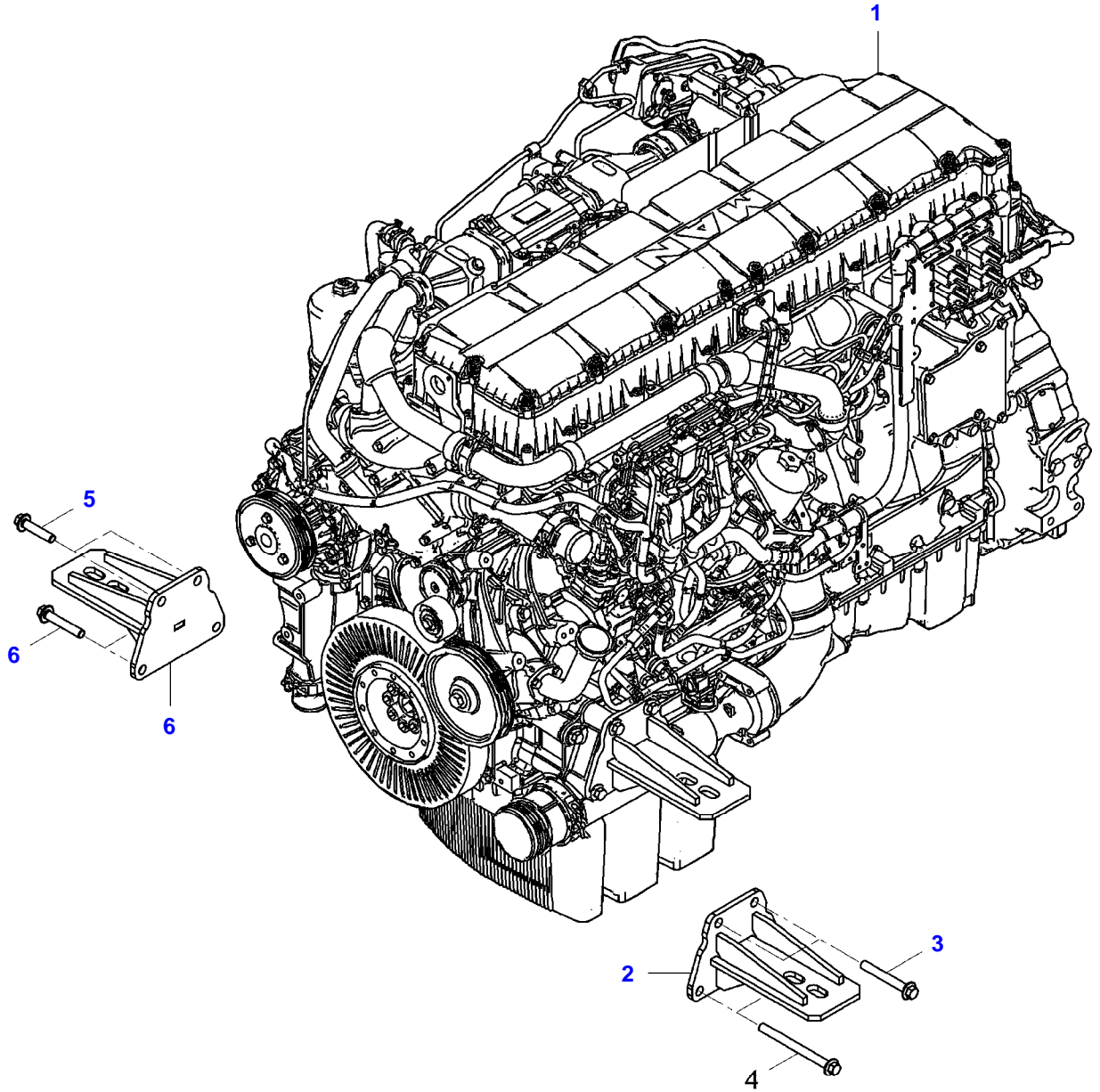


Page Number	Page Title	Page Reference
01-000-TOC	ENGINE ACW4998670 D3876LE123 T4F	01-000-TOC
02-000-TOC	ENGINE INSTALLATION	02-000-TOC
03-000-TOC	DRIVE SYSTEM	03-000-TOC
04-000-TOC	AXLES	04-000-TOC
05-000-TOC	DRIVE TRAIN SYSTEM	05-000-TOC
06-000-TOC	BRAKE SYSTEM	06-000-TOC
07-000-TOC	HYDRAULIC SYSTEM	07-000-TOC
08-000-TOC	ELECTRICAL SYSTEM	08-000-TOC
09-000-TOC	CAB	09-000-TOC
10-000-TOC	AIR CONDITIONING AND HEATING SYSTEM	10-000-TOC
11-000-TOC	CHASSIS	11-000-TOC
12-000-TOC	DECALS	12-000-TOC
13-000-TOC	WHEELS	13-000-TOC
14-000-TOC	FEEDING SYSTEM	14-000-TOC
15-000-TOC	THRESHING SYSTEM	15-000-TOC
16-000-TOC	CLEANING SYSTEM	16-000-TOC
17-000-TOC	GRAIN BIN AND ELEVATOR SYSTEM	17-000-TOC
18-000-TOC	DISCHARGE SYSTEM	18-000-TOC
19-000-TOC	PRECISION FARMING SYSTEMS	19-000-TOC
20-000-TOC	ATTACHMENTS	20-000-TOC
21-000-TOC	ACCESSORIES	21-000-TOC

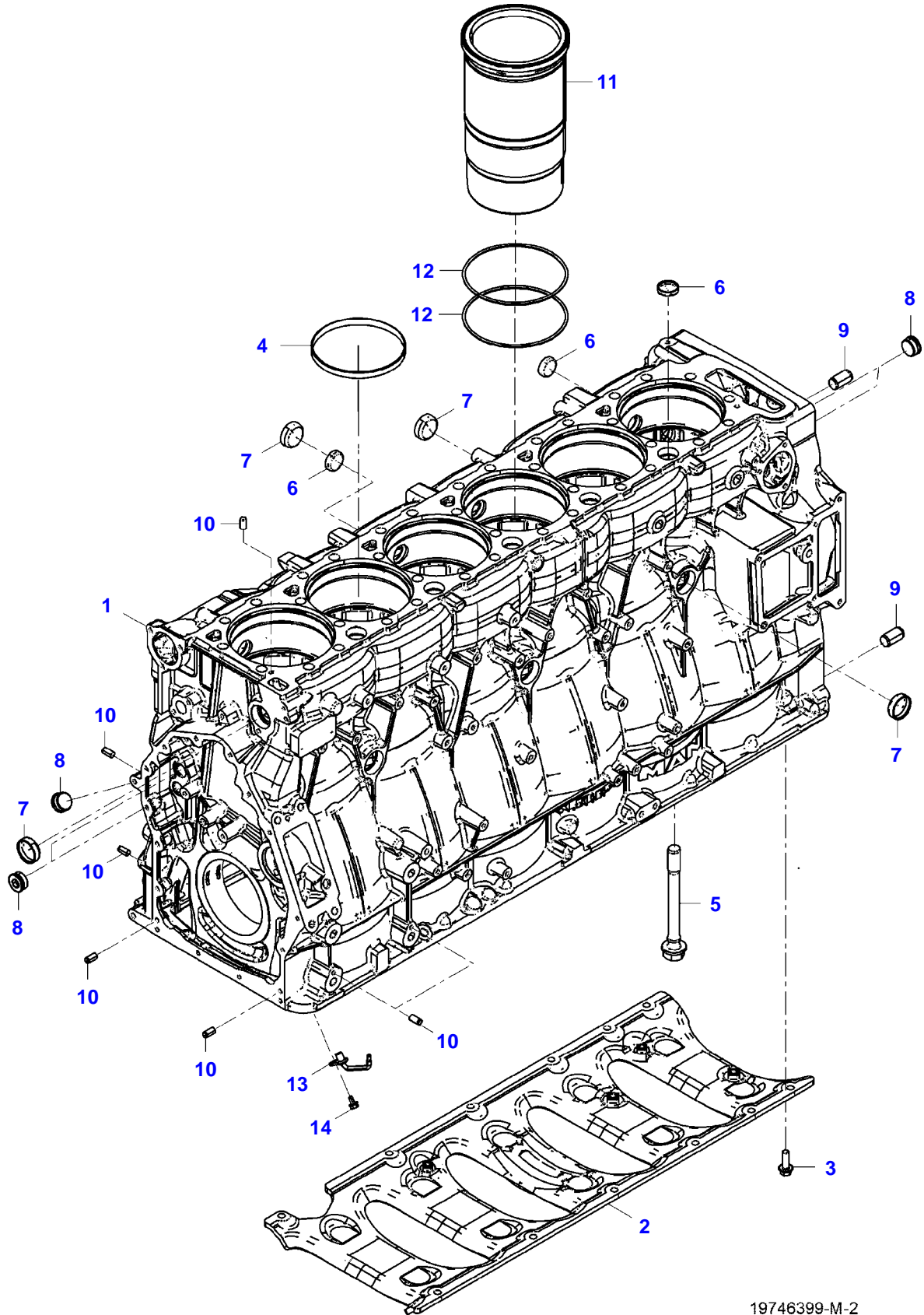
IDEAL 9 COMBINE (ZN2G0009C03020001-999)
19746234-M-2



19746234-M-2

Item	Part Number	Qty	Description Comments	Technical Specification
ENGINE : TIER 4F				
1	ACW4998670	1	ENGINE	15.2L T4F
2	ACP0406410	2	ENGINE SUPPORT	
3	ACP0357430	2	HEX FLANGE CAPSCREW	M14X105-10.9
4	ACP0357420	2	HEX FLANGE CAPSCREW	M14X160-10.9
5	ACP0357410	2	HEX FLANGE CAPSCREW	M14X65-10.9
6	72624253	2	HEX FLANGE CAPSCREW	M14X80-10.9

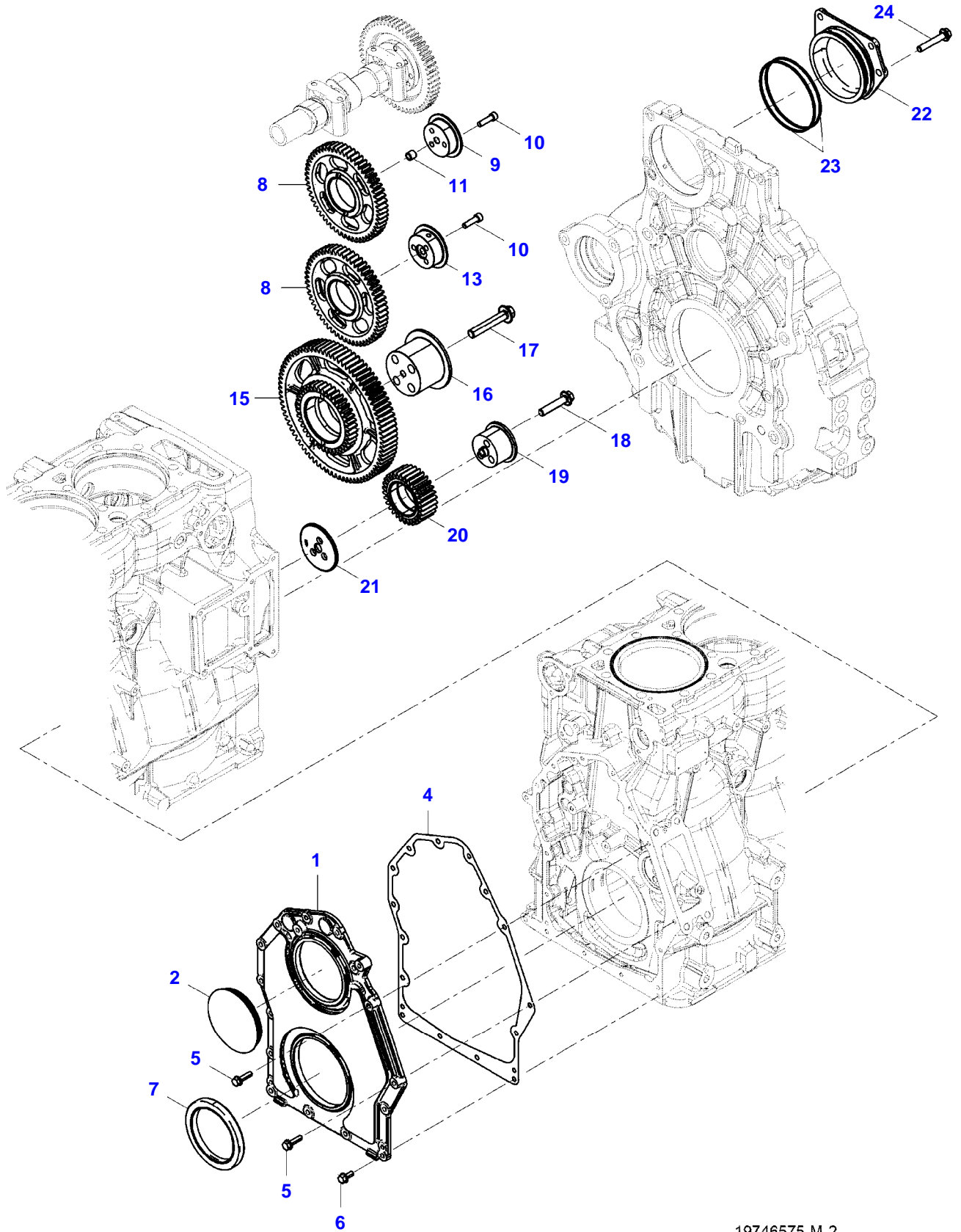
IDEAL 9 COMBINE (ZN2G0009C03020001-999)
19746399-M-2



19746399-M-2

Item	Part Number	Qty	Description Comments	Technical Specification
ENGINE : TIER 4F				
1	ACP0406490	1	CRANKCASE	
2	ACP0406500	1	COVER	
3	ACP0353330	12	HEX FLANGE CAPSCREW	M10X30-10.9-MAN183-B1
4	ACP0357860	6	RING	
5	ACP0406510	14	HEX BOLT, WITH COLLAR	M20X2X185-12.9
6	72311428	10	COVER	
7	72624556	10	CAP COVER	A40,3/14,5-X5CRNI1810N
8	72624540	5	PLUG SCREW	M22X1,5X9-5.8
9	72624289	2	DOWEL	16H8X24-ST50-2K
10	72624290	8	DOWEL	8M6X18
11	ACP0406520	6	CYLINDER LINER	
12	ACP0359500	12	PROFILE SEAL	
13	ACP0357900	6	OIL SPLASH NOZZLE	
14	ACP0410440	6	HEX BOLT, WITH COLLAR	M6X12-10.9

IDEAL 9 COMBINE (ZN2G0009C03020001-999)
19746575-M-2

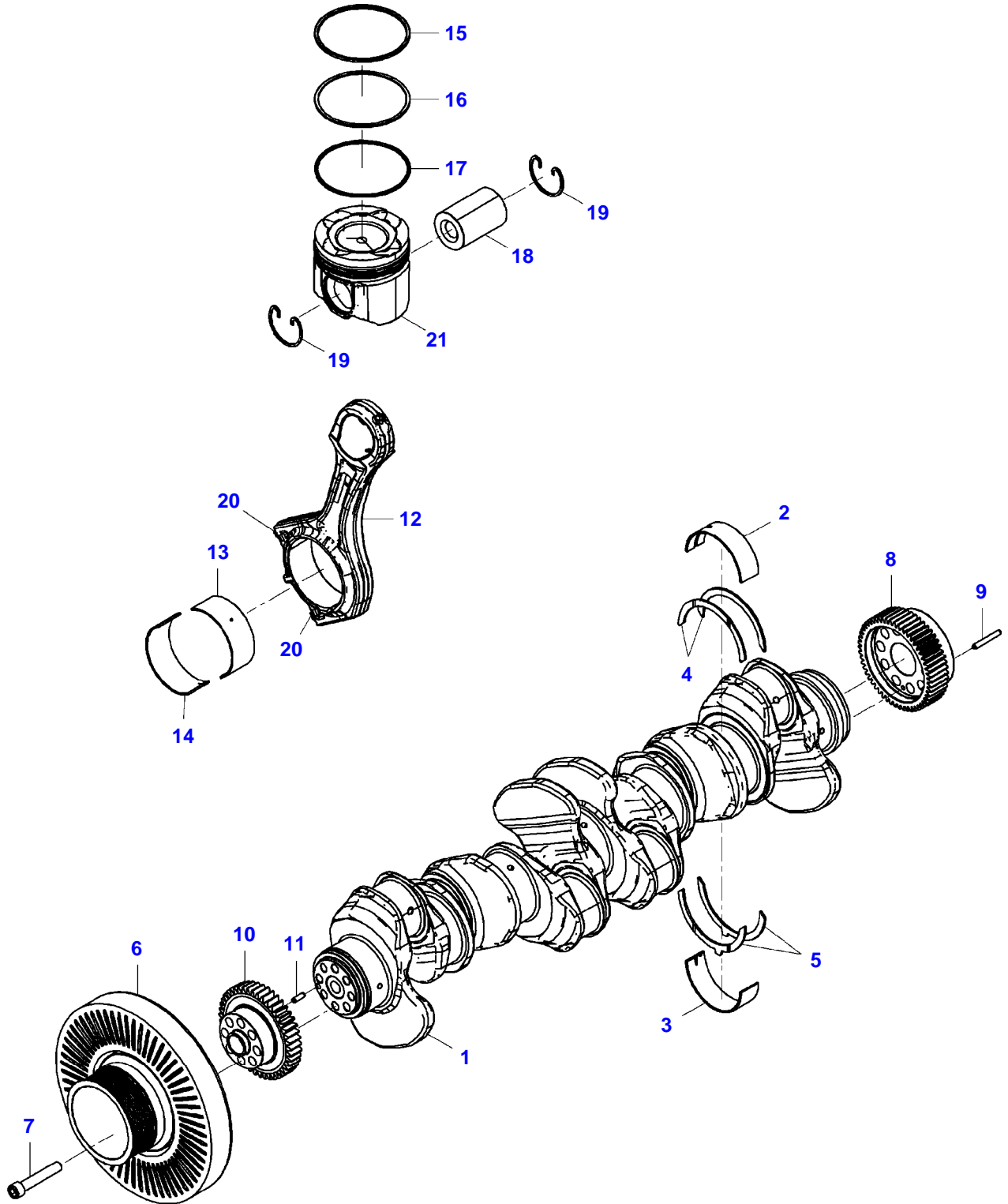


19746575-M-2

Item	Part Number	Qty	Description Comments	Technical Specification
ENGINE : TIER 4F				
1	ACP0406560	1	LID	
2	ACP0357880	1	LID	
4	ACP0357910	1	GASKET	
5	72624233	2	HEX FLANGE CAPSCREW	M8X35-10.9
6	72624230	13	HEX FLANGE CAPSCREW	M8X20-10.9
7	72624340	1	RADIAL SHAFT LIP SEAL	100X130X12
8	ACP0358210	2	GEAR, IDLER	
9	ACP0358240	1	WHEEL BOLT	
10	72624213	6	SOCKET HEAD BOLT	M8X30-10.9
11	ACP0359370	1	BUSHING	
13	ACP0358230	1	WHEEL BOLT	
15	ACP0358220	1	GEAR, IDLER	
16	72629229	1	HUB	
17	72624253	4	HEX FLANGE CAPSCREW	M14X80-10.9
18	ACP0357380	3	HEX FLANGE CAPSCREW	M12X60-10.9
19	ACP0359270	1	WHEEL BOLT	
20	ACP0359280	1	GEAR, IDLER	
21	72624551	1	THRUST WASHER	
22	ACP0357870	1	CAP COVER	
23	ACP0359480	2	SEALING WASHER	126X3-FPM1-70
24	ACP0357330	3	HEX FLANGE CAPSCREW	M10X60-10.9

Item	Part Number	Qty	Description Comments	Technical Specification
ENGINE : TIER 4F				
1	ACP0406780	1	FLYWHEEL HOUSING	
2	ACP0357890	1	SHAFT SEAL	
4	ACP0357320	3	HEX FLANGE CAPSCREW	M10X50-10.9
5	72625957	10	HEX BOLT, WITH COLLAR	M12X35-10.9
6	ACP0357390	2	HEX FLANGE CAPSCREW	M12X70-10.9
7	ACP0357560	1	SEALING WASHER	12,5X2,5N-FKM1-70-GN
8	ACP0359370	1	BUSHING	
9	ACP0353880	1	BLANK FLANGE	
10	ACP0406790	2	HEX TAPPING SCREW	ST4,2X16C
11	ACP0353770	1	RUBBER PLUG	46/38X19-59/51-CR2-70
12	72314695	1	LOCKING PLUG	
13	ACP0406800	1	FLYWHEEL INCLUDES ITEMS 14	
14	72624355	1	STARTER RING	
15	ACP0359290	10	HEX WAISTED BOLT	M18X1,5X98-12.9

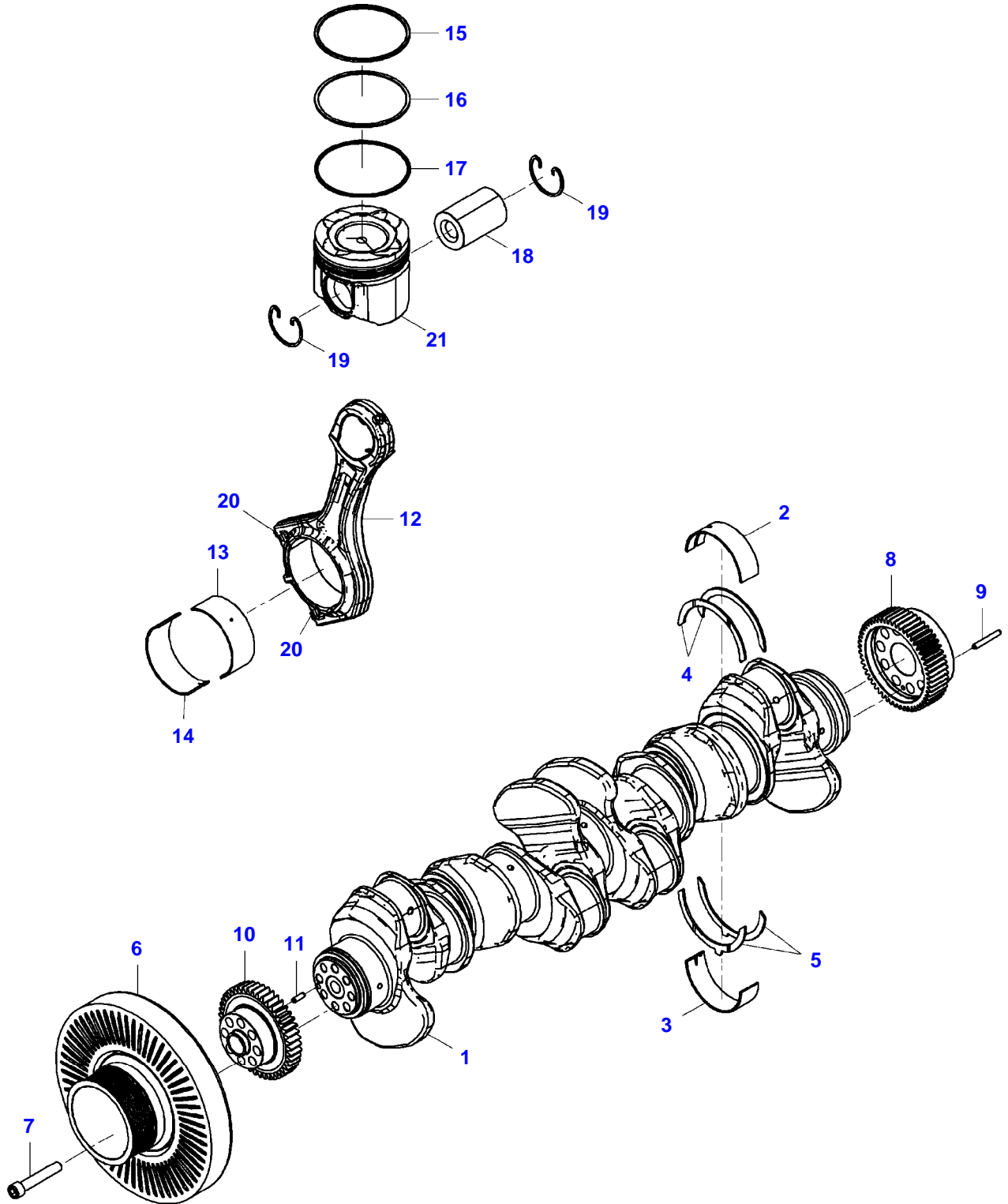
IDEAL 9 COMBINE (ZN2G0009C03020001-999)
19748624-M-3



19748624-M-3

Item	Part Number	Qty	Description Comments	Technical Specification
			ENGINE : TIER 4F UP TO ENGINE S/N 56851000065084	
1	ACP0406810	1	CRANKSHAFT	
2	ACP0406820	7	BEARING SHELL	
3	ACP0406830	7	BEARING SHELL	
4	ACP0357840	2	RACE DISC	
5	ACP0357850	2	RACE DISC	
6	ACP0357940	1	CRANKSHAFT VIBRATION DAMPENER	
7	ACP0353250	8	SOCKET HEAD BOLT	M16X1,5X90-10.9-MAN183-B1
8	ACP0357930	1	CRANKSHAFT GEAR	
9	72624291	1	SPIRAL PIN	8X60-ST
10	72624349	1	CRANKSHAFT GEAR	
11	72313849	1	TENSIONING PIN	ISO8750-8X24-ST
12	ACP0357950	6	CONROD	
13	ACP0357960	6	BEARING SHELL	
14	ACP0357970	6	BEARING SHELL	
15	ACP0358030	6	TRAP.SECTION RG.	
16	ACP0358010	6	CHAMFER PIST.RG.	
17	ACP0358020	6	U/MKME-CHAMF.RG.	
18	ACP0358000	6	PISTON PIN	
19	ACP0359350	12	SNAPRING	60X2-FDST
			FROM - UP TO ENGINE S/N 21247030014704 - 22148980014879	
	ACP0435170	12	SNAPRING STARTING FROM ENGINE SERIAL NUMBER 56850770075067	
20	ACP0410880	12	BUTTON HEAD CAP SCREW	M16X1,5X80-11.9
21	ACP0357980	6	PISTON	

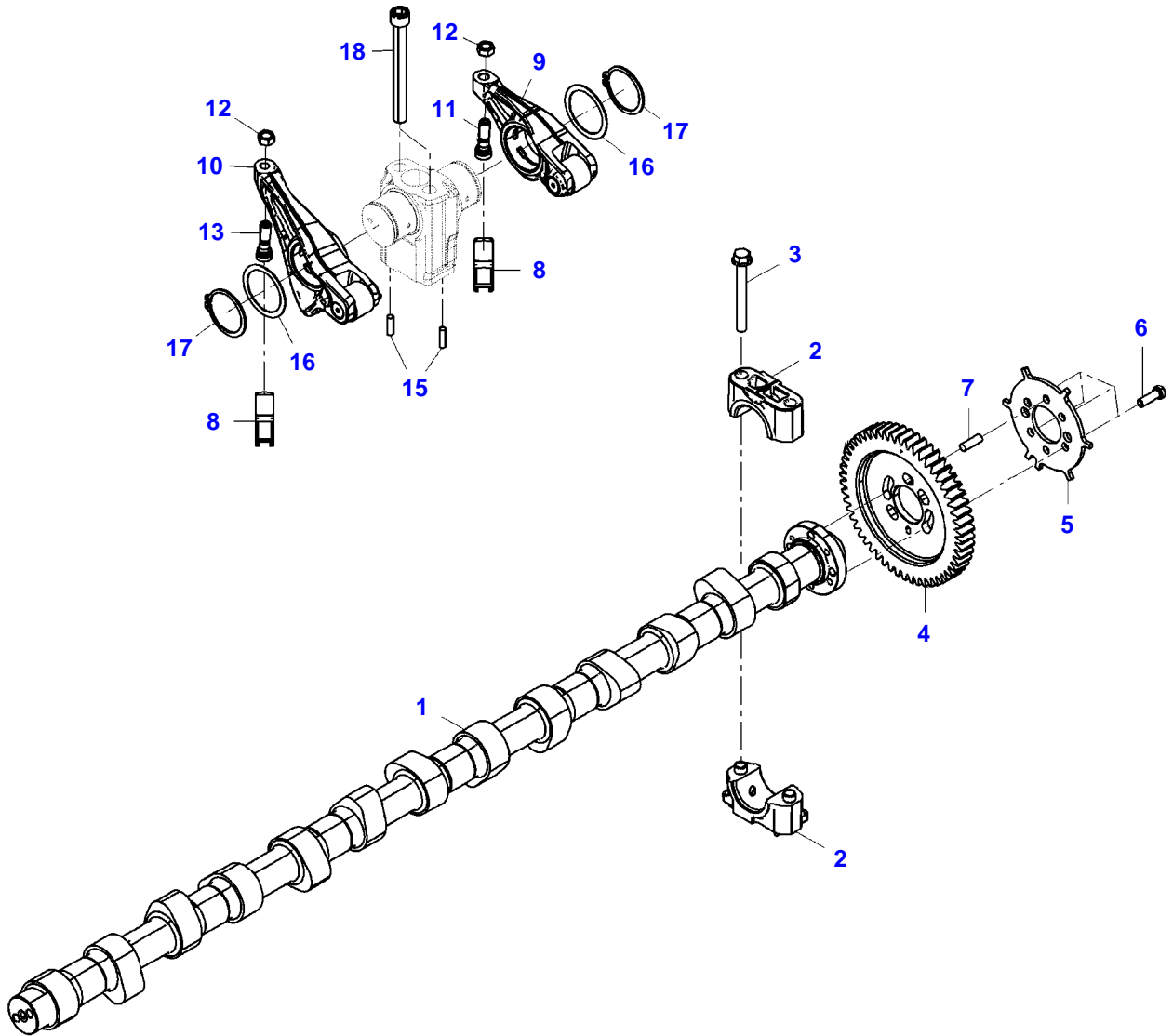
IDEAL 9 COMBINE (ZN2G0009C03020001-999)
23801088-M-1



23801088-M-1

Item	Part Number	Qty	Description Comments	Technical Specification
			ENGINE : TIER 4F FROM ENGINE S/N 56853230055315	
1	ACP0406810	1	CRANKSHAFT	
2	ACP0406820	7	BEARING SHELL	
3	ACP0406830	7	BEARING SHELL	
4	ACP0357840	2	RACE DISC	
5	ACP0357850	2	RACE DISC	
6	ACP0357940	1	CRANKSHAFT VIBRATION DAMPENER	
7	ACP0353250	8	SOCKET HEAD BOLT	M16X1,5X90-10.9-MAN183-B1
8	ACP0357930	1	CRANKSHAFT GEAR	
9	72624291	1	SPIRAL PIN	8X60-ST
10	ACP0435280	1	CRANKSHAFT GEAR	
11	72313849	1	TENSIONING PIN	ISO8750-8X24-ST
12	ACP0357950	6	CONROD	
13	ACP0357960	6	BEARING SHELL	
14	ACP0357970	6	BEARING SHELL	
15	ACP0358030	6	TRAP.SECTION RG.	
16	ACP0358010	6	CHAMFER PIST.RG.	
17	ACP0358020	6	U/MKME-CHAMF.RG.	
18	ACP0435340	6	PISTON PIN	
19	ACP0435170	12	SNAPRING	
20	ACP0410880	12	BUTTON HEAD CAP SCREW	M16X1,5X80-11.9
21	ACP0435290	6	PISTON	

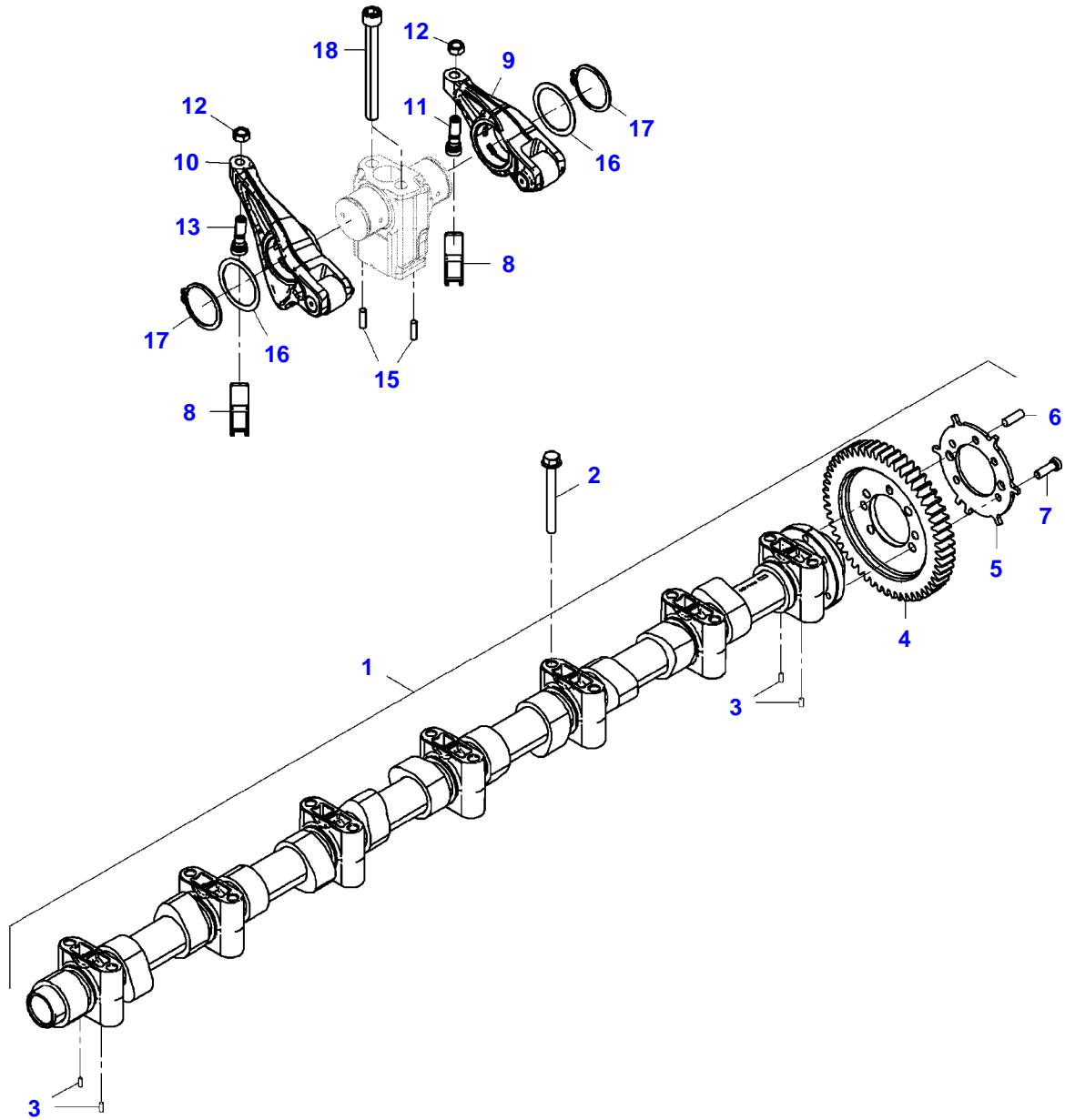
IDEAL 9 COMBINE (ZN2G0009C03020001-999)
19752482-M-2



19752482-M-2

Item	Part Number	Qty	Description Comments	Technical Specification
			ENGINE : TIER 4F UP TO ENGINE S/N 56851000065084	
1	ACP0358190	1	CAMSHAFT	
2	ACP0394930	7	BEARING SUPPORT	
3	72624221	14	HEX FLANGE CAPSCREW	M8X75-8.8
4	ACP0406850	1	CAM WHEEL	
5	ACP0406860	1	RATCHED WHEEL	
6	ACP0406870	4	SOCKET HEAD BOLT	M8X25-8.8-A2C
7	ACP0406880	1	DOWEL	8M6X24-ST50-2K
8	ACP0358180	12	VALVE BRIDGE	
9	ACP0359890	6	ROCKER ARM	
10	ACP0359910	6	ROCKER ARM	
11	ACP0359900	6	ADJUSTING SCREW	
12	72313252	24	NUT	
13	ACP0406940	6	ADJUSTING SCREW	M10X1X41,1-B-CF53-SW5
15	ACP0406950	12	DOWEL	6M6X20-ST50-2K
16	ACP0406960	12	SHIM	45X56X1-CK67H+A
17	ACP0406970	12	LOCK WASHER	45X1,75-ZNPHR5F
18	ACP0406980	12	SOCKET HEAD BOLT	M12X115-10.9

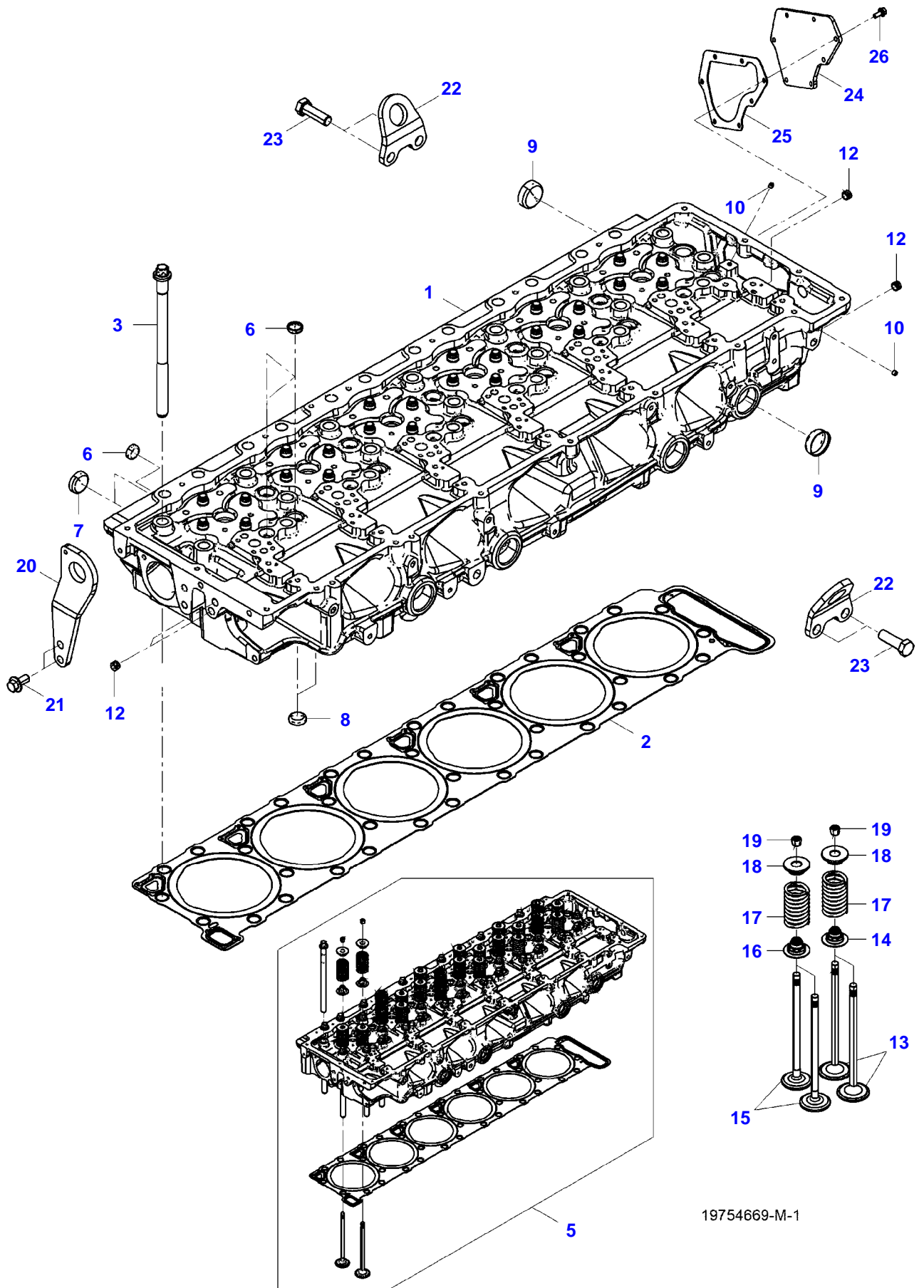
IDEAL 9 COMBINE (ZN2G0009C03020001-999)
23801796-M-1



23801796-M-1

Item	Part Number	Qty	Description Comments	Technical Specification
			ENGINE : TIER 4F FROM ENGINE S/N 56853230055315	
1	ACP0435350	1	CAMSHAFT	
2	72624221	14	HEX FLANGE CAPSCREW	M8X75-8.8
3	ACP0435360	4	DOWEL	4M6X10-ST50-2K
4	ACP0435370	1	CAM WHEEL	
5	ACP0435380	1	RATCHED WHEEL	
6	ACP0406880	1	DOWEL	8M6X24-ST50-2K
7	ACP0406870	4	SOCKET HEAD BOLT	M8X25-8.8-A2C
8	ACP0358180	12	VALVE BRIDGE	
9	ACP0359890	6	ROCKER ARM	
10	ACP0359910	6	ROCKER ARM	
11	ACP0359900	6	ADJUSTING SCREW	
12	72313252	24	NUT	
13	ACP0406940	6	ADJUSTING SCREW	M10X1X41,1-B-CF53-SW5
15	ACP0406950	12	DOWEL	6M6X20-ST50-2K
16	ACP0406960	12	SHIM	45X56X1-CK67H+A
17	ACP0406970	12	LOCK WASHER	45X1,75-ZNPHR5F
18	ACP0406980	12	SOCKET HEAD BOLT	M12X115-10.9

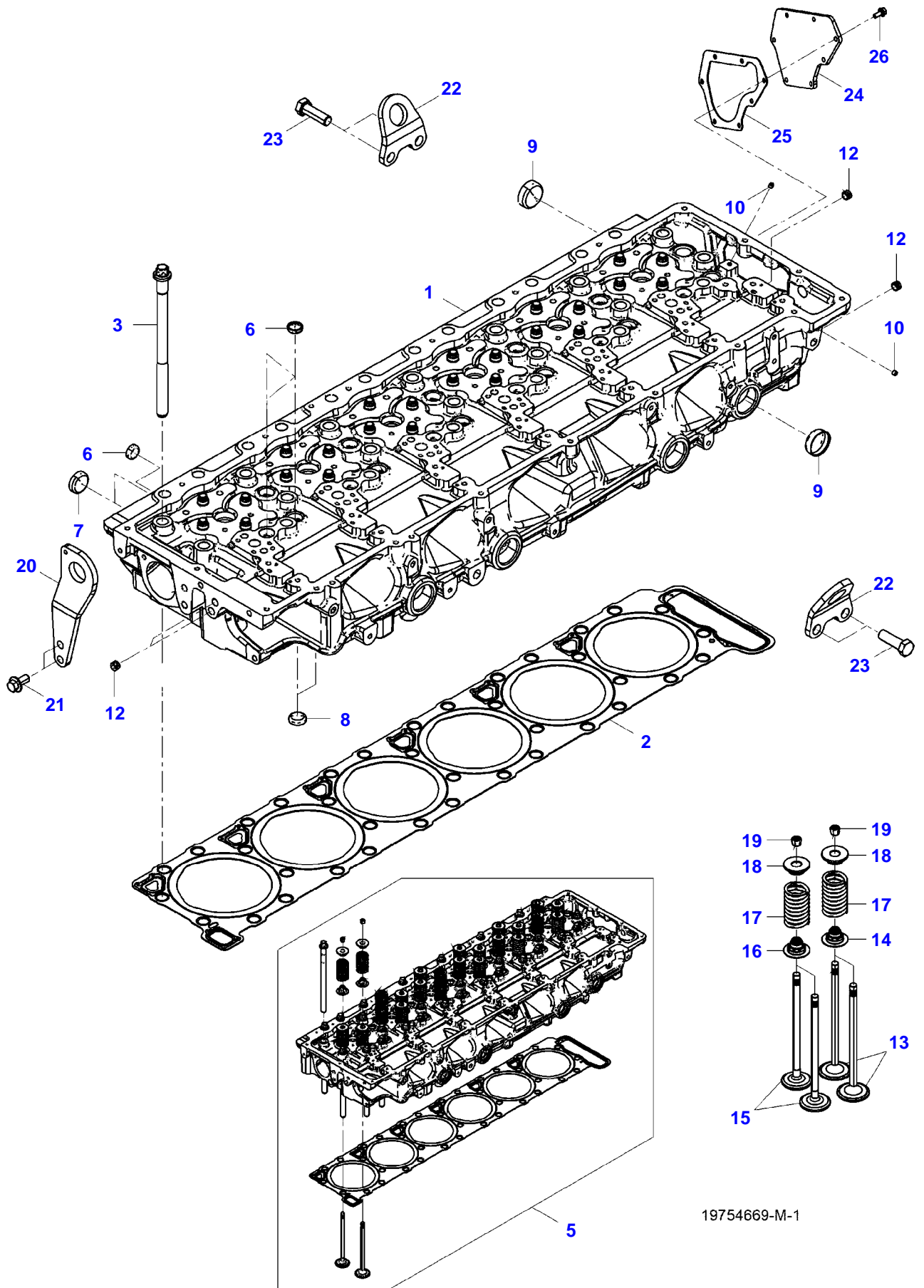
IDEAL 9 COMBINE (ZN2G0009C03020001-999)
19754669-M-2



19754669-M-1

Item	Part Number	Qty	Description Comments	Technical Specification
			ENGINE : TIER 4F UP TO ENGINE S/N 56851000065084	
1	ACP0358060	1	CYLINDER HEAD	
2	ACP0358100	1	CYLINDER HEAD GASKET	
3	ACP0359300	38	TRUSS HEAD SCREW	M16X1,5X246-11.9FZK
5	ACP0358050	1	CYLINDER HEAD	
6	ACP0359360	24	CAP COVER	A22,2/7,5-X5CRNI1810N
7	72311428	11	COVER	
8	72311429	12	COVER	
9	72311424	6	COVER	
10	72417088	2	SEALING PLUG	
12	ACP0357490	4	SEALING PLUG	12X7,5
13	ACP0358130	12	INLET VALVE	
14	ACP0358260	12	VALVE STEM SEAL	
15	ACP0358140	12	EXHAUST VALVE	
16	ACP0358250	12	VALVE STEM SEAL	
17	ACP0358150	24	VALVE SPRING	
18	ACP0358160	24	VALVE SPRING RETAINER	
19	ACP0358170	48	VALVE SPRING KEY	
20	ACP0359220	1	SUSPENSION EYE FROM - UP TO ENGINE S/N 21247030014704 - 22148980014879	
	ACP0407000	1	SUSPENSION EYE STARTING FROM ENGINE SERIAL NUMBER 56850770075067	
21	ACP0357370	2	HEX FLANGE CAPSCREW	M12X25-10.9
22	ACP0359210	2	SUSPENSION EYE	
23	ACP0357210	4	HEXAGONAL HEAD BOLT FROM - UP TO ENGINE S/N 21247030014704 - 22148980014879	M16X35-8.8
	ACP0407010	4	HEXAGONAL HEAD BOLT STARTING FROM ENGINE SERIAL NUMBER 56850770075067	M16X30-10.9
24	ACP0358070	1	LID	
25	ACP0358110	1	GASKET	
26	72624225	2	HEX FLANGE CAPSCREW	M6X16-10.9

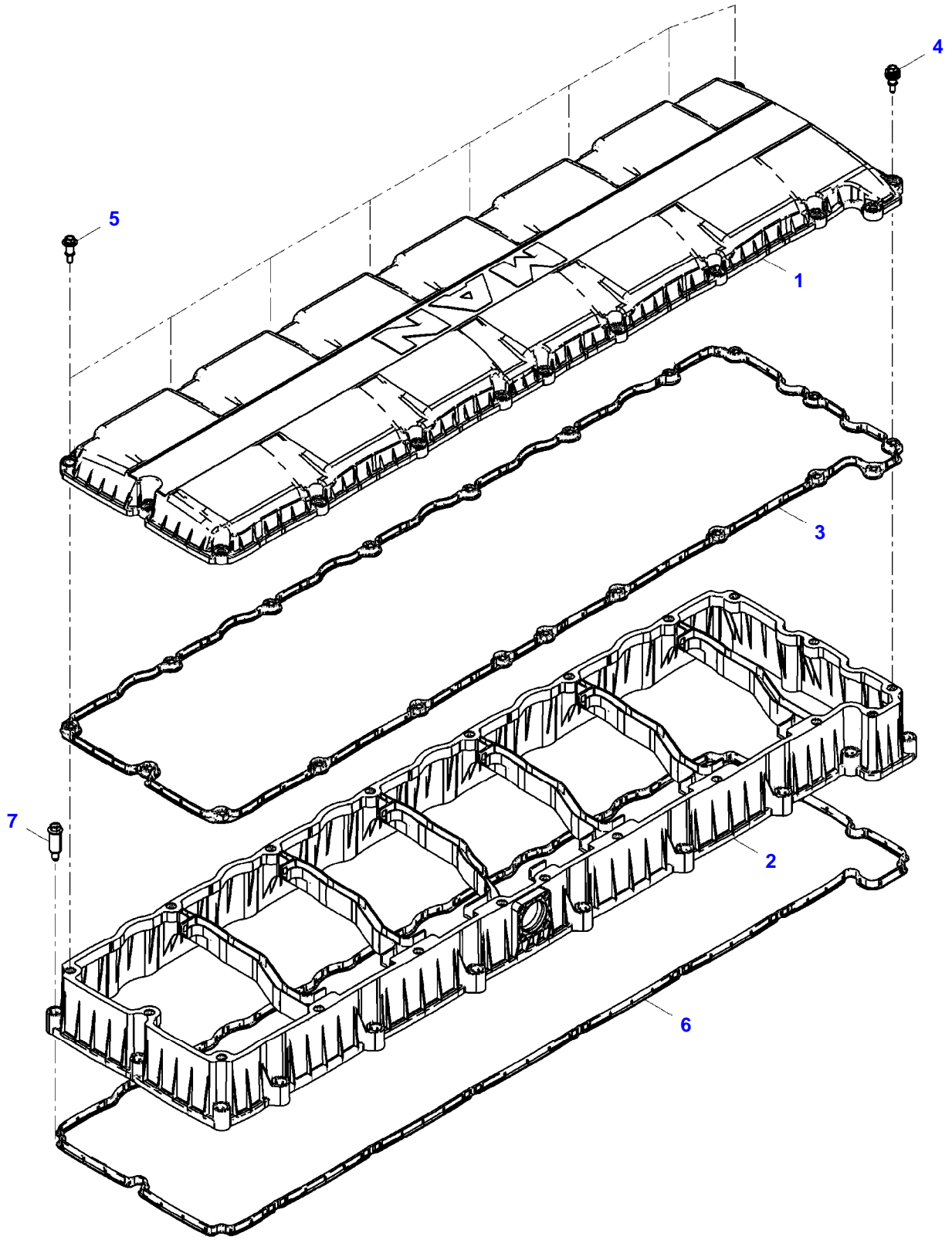
IDEAL 9 COMBINE (ZN2G0009C03020001-999)
19754669-M-2



19754669-M-1

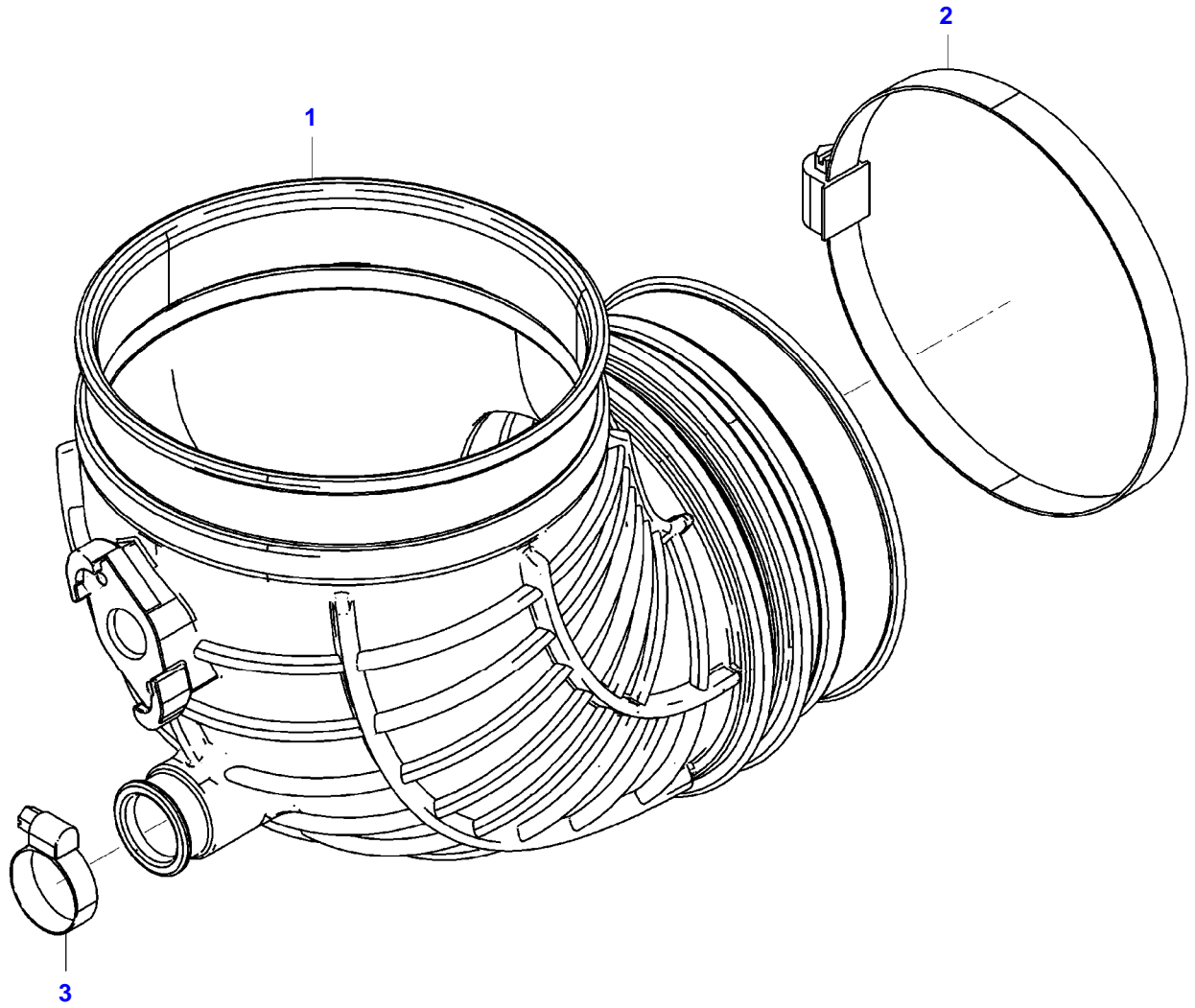
Item	Part Number	Qty	Description Comments	Technical Specification
			ENGINE : TIER 4F FROM ENGINE S/N 56853230055315	
1			NOT AVAILABLE IN SINGLE PARTS	
2	ACP0358100	1	CYLINDER HEAD GASKET	
3	ACP0435530	38	HEXAGON FLANGE BOLT	M16X1,5X246
5	ACP0435540	1	CYLINDER HEAD ASM.	
6	ACP0359360	24	CAP COVER	A22,2/7,5-X5CRNI1810N
7	72311428	11	COVER	
8	72311429	12	COVER	
9	72311424	6	COVER	
10	ACP0406990	2	SEALING PLUG	8X6,5
12	ACP0357490	4	SEALING PLUG	12X7,5
13	ACP0358130	12	INLET VALVE	
14	ACP0358260	12	VALVE STEM SEAL	
15	ACP0358140	12	EXHAUST VALVE	
16	ACP0358250	12	VALVE STEM SEAL	
17	ACP0358150	24	VALVE SPRING	
18	ACP0358160	24	VALVE SPRING RETAINER	
19	ACP0358170	48	VALVE SPRING KEY	
20	ACP0359220	1	SUSPENSION EYE FROM - UP TO ENGINE S/N 21247030014704 - 22148980014879	
	ACP0407000	1	SUSPENSION EYE STARTING FROM ENGINE SERIAL NUMBER 56850770075067	
21	ACP0357370	2	HEX FLANGE CAPSCREW	M12X25-10.9
22	ACP0359210	2	SUSPENSION EYE	
23	ACP0357210	4	HEXAGONAL HEAD BOLT FROM - UP TO ENGINE S/N 21247030014704 - 22148980014879	M16X35-8.8
	ACP0407010	4	HEXAGONAL HEAD BOLT STARTING FROM ENGINE SERIAL NUMBER 56850770075067	M16X30-10.9
24	ACP0358070	1	LID	
25	ACP0358110	1	GASKET	
26	72624225	2	HEX FLANGE CAPSCREW	M6X16-10.9

IDEAL 9 COMBINE (ZN2G0009C03020001-999)
19756133-M-2



19756133-M-2

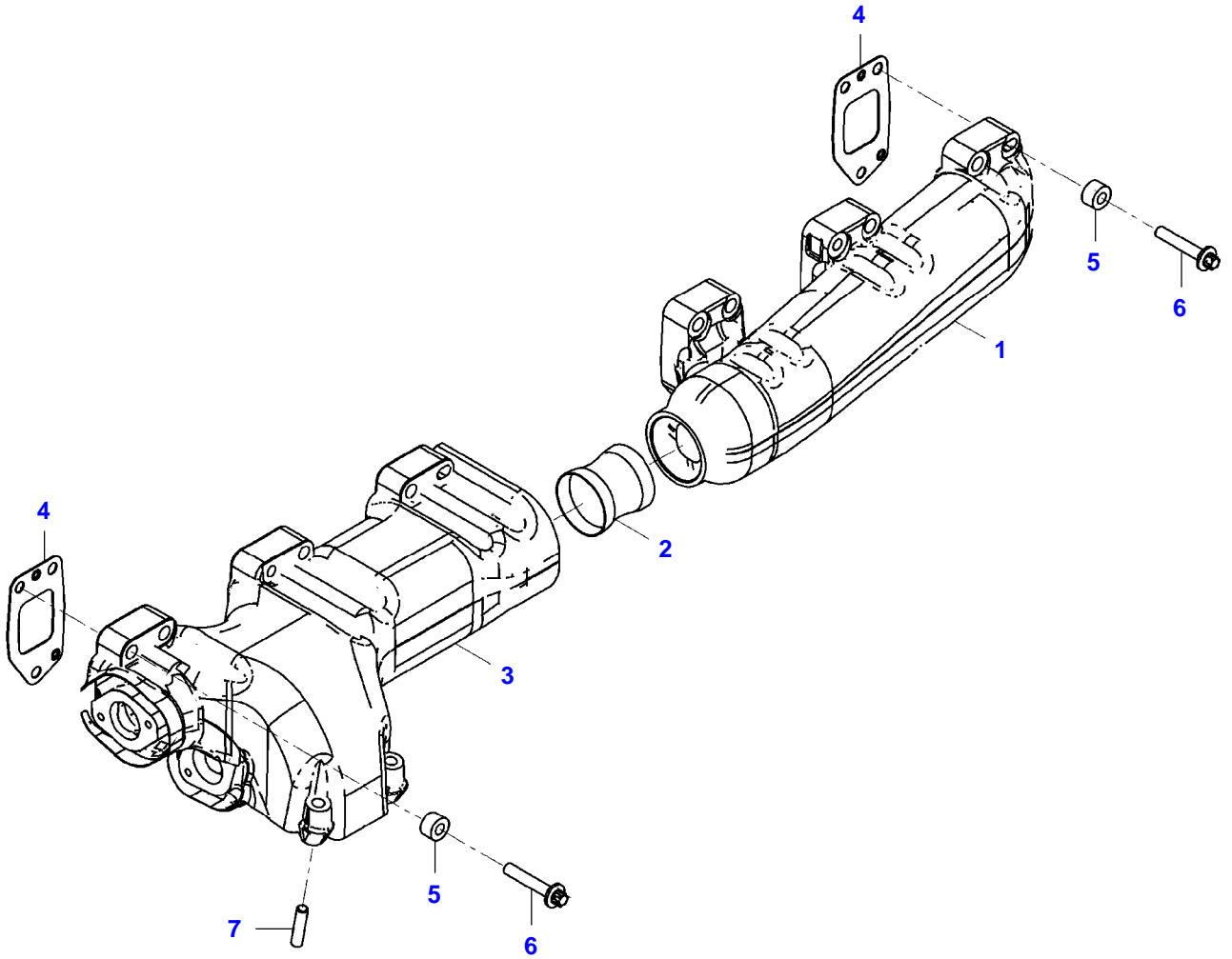
Item	Part Number	Qty	Description Comments	Technical Specification
ENGINE : TIER 4F				
1	ACP0358080	1	CYLINDER HEAD COVER	
2	ACP0358090	1	SPACER SHEET	
3	ACP0300660	1	CYLINDER HEAD GASKET	
4	ACP0359450	11	SCREW	M6X31
5	72624546	9	SCREW	
6	ACP0358120	1	PROFILE SEAL	
7	ACP0359460	20	BUSHING	



19756508-M-2

Item	Part Number	Qty	Description Comments	Technical Specification
			ENGINE : TIER 4F	
1	ACP0300610	1	AIR TUBE	
2	ACP0407020	1	HOSE CLIP	S130-150
3	ACP0353430	1	HOSE CLIP	L20-32

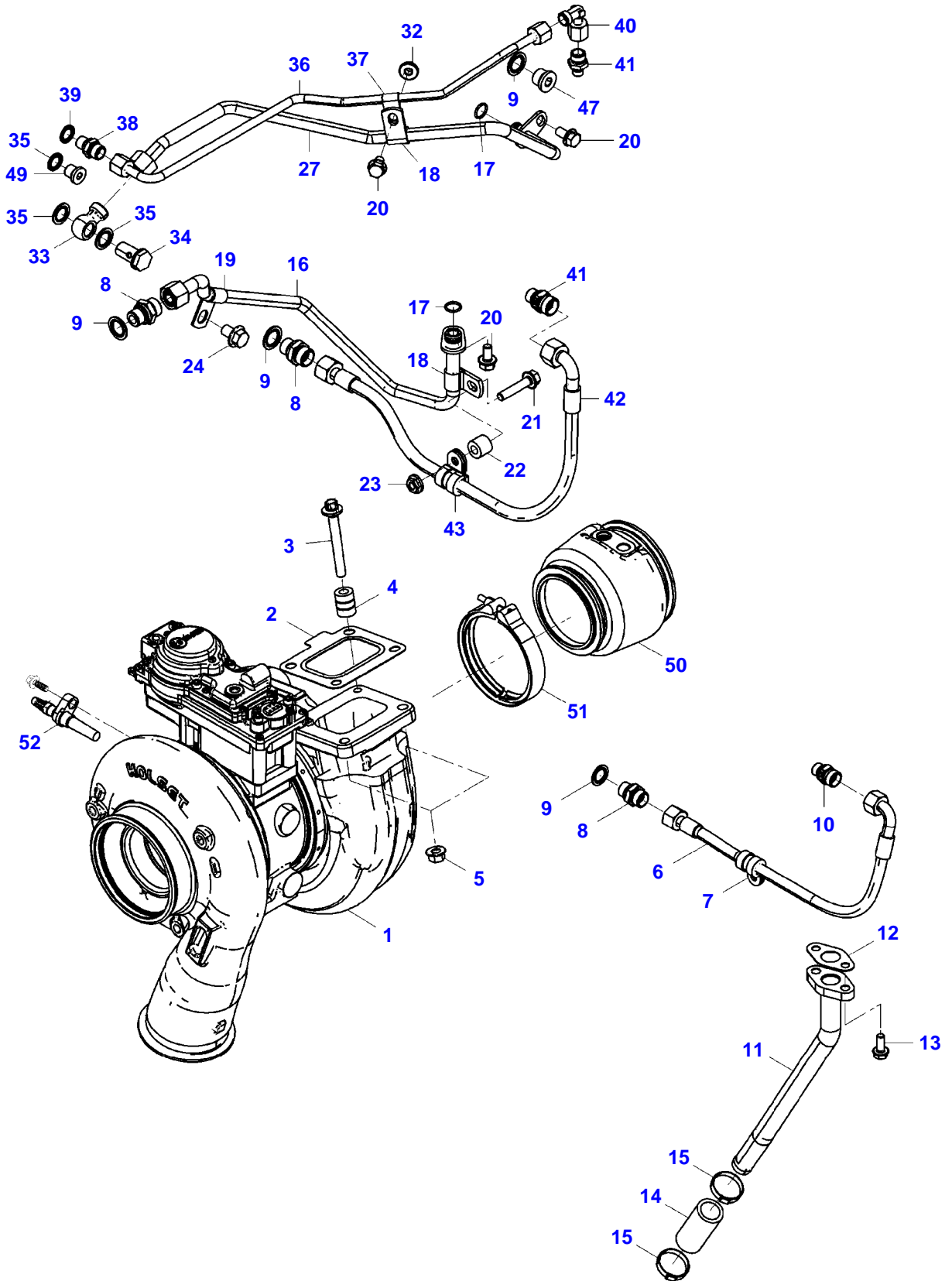
IDEAL 9 COMBINE (ZN2G0009C03020001-999)
19756631-M-2



19756631-M-2

Item	Part Number	Qty	Description Comments	Technical Specification
ENGINE : TIER 4F				
1	ACP0300640	1	EXHAUST MANIFOLD	
2	ACP0358700	1	CONNECTING PIECE	
3	ACP0375320	1	EXHAUST MANIFOLD	
4	ACP0358850	6	MANIFOLD GASKET	
5	ACP0353750	18	BUSHING	10,5X22X13
6	72315395	18	WASHER HEAD BOLT	
7	ACP0407040	2	STUD BOLT	M10X63-SD

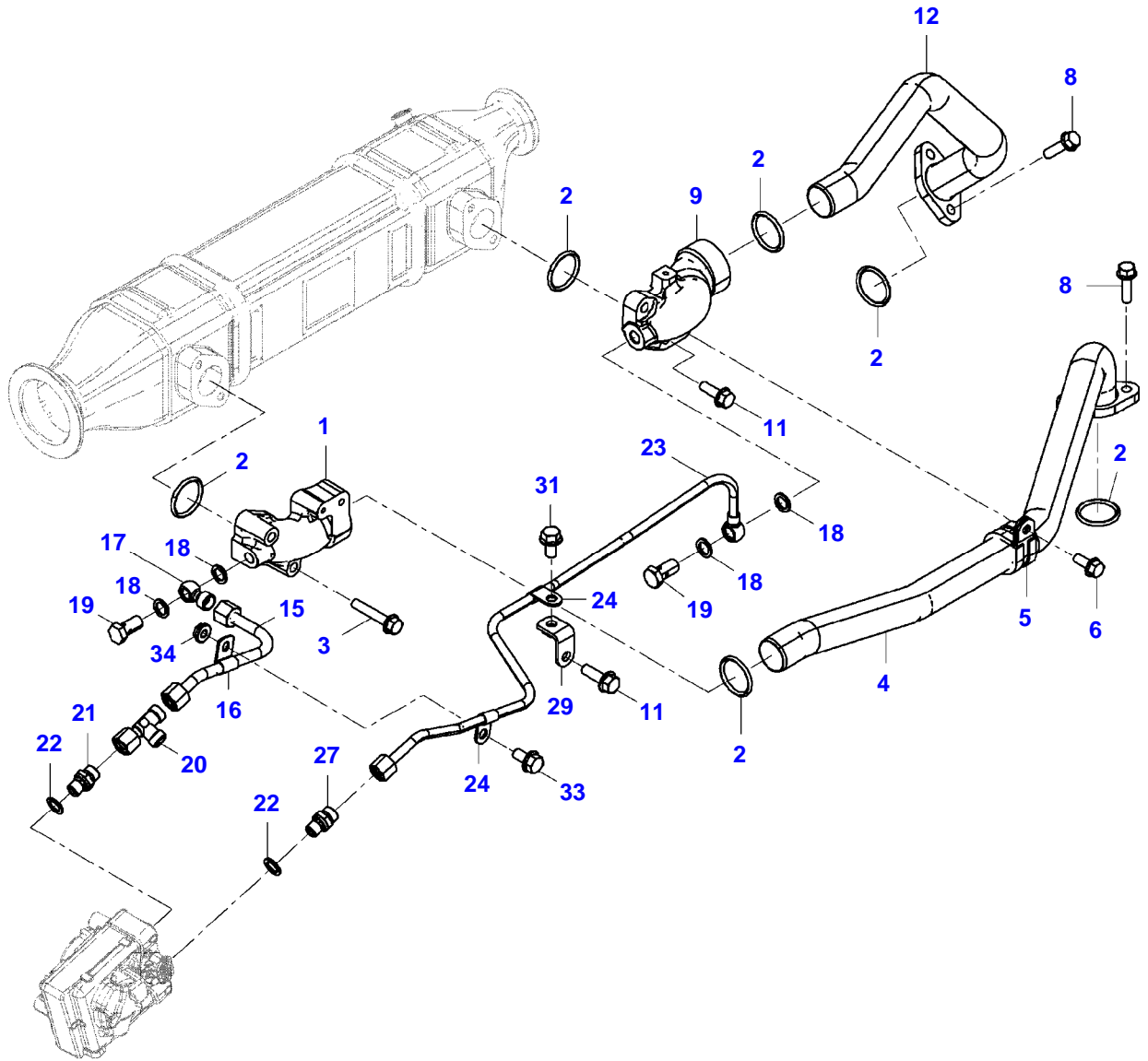
IDEAL 9 COMBINE (ZN2G0009C03020001-999)
19756949-M-2



19756949-M-2

Item	Part Number	Qty	Description Comments	Technical Specification
ENGINE : TIER 4F				
1	ACP0300620	1	TURBOCHARGER	
2	72624453	1	GASKET	
3	ACP0359330	2	TRUSS HEAD SCREW	M10X80-1.4980-E14-SD
4	ACP0359430	2	BUSHING	
5	72624276	2	SHOULDER HEX NUT	M10-GA-C3J
6	ACP0357510	1	HOSE LINE	A-10NN90X480-FKM
7	72608293	1	CLIP	
8	72624321	3	THREADED SOCKET	L12A-M-ST
9	72624304	4	SEALING WASHER	16,3X24X1,5-ST/FKM1-80
10	72624602	1	SOCKET	
11	ACP0358340	1	OIL RETURN LINE	
12	72624454	1	GASKET	
13	72624230	2	HEX FLANGE CAPSCREW	M8X20-10.9
14	72312632	1	HOSE	
15	72608303	2	CLIP	
16	ACP0358590	1	COOLANT LINE INCLUDES ITEMS 17-18	
17	ACP0353400	2	SEALING WASHER	12,42X1,78N-FKM2-70
18	72624584	3	TUBE CLAMP	B12,1X20X33-9X13-UST37-2
19	ACP0407080	1	TUBE CLAMP	B12,1X20X37-11X14-UST37-2
20	72624229	4	HEX FLANGE CAPSCREW	M8X16-10.9
21	72624234	2	HEX FLANGE CAPSCREW	M8X40-10.9
22	ACP0353740	1	BUSHING	9X18X15
23	ACP0353360	1	LOCKNUT	M8-10-MAN183-B1
24	72624222	1	HEX FLANGE CAPSCREW	M10X16-8.8
27	ACP0407100	1	COOLANT LINE	
32	72624274	1	HEX NUT	M8-8
33	72346246	1	RING FITTING	
34	72417155	1	BANJO BOLT	
35	72624303	3	SEALING WASHER	14,3X22X1,5-ST/FKM1-80
36	ACP0407120	1	COOLANT LINE	
37	72624585	1	TUBE CLAMP	A8X16X28-9-UST37-2
38	72624320	1	THREADED SOCKET	L8A-M-ST
39	72624302	1	SEALING WASHER	12,3X18X1,5-ST/FKM1-80
40	ACP0357730	1	SOCKET	L8
41	ACP0407150	2	SOCKET	L8 M10X1
42	ACP0407160	1	HOSE LINE	
43	72608293	1	CLIP	
47	72624272	1	PLUG SCREW	M16X1,5-ST-M3360-RK9-K
49	72629234	1	PLUG SCREW	
50	ACP0407170	1	EXHAUST PIPE	
51	72624591	1	PROFILE CLIP	
52	ACP0407180	1	SHAFT SPEED SENSOR	

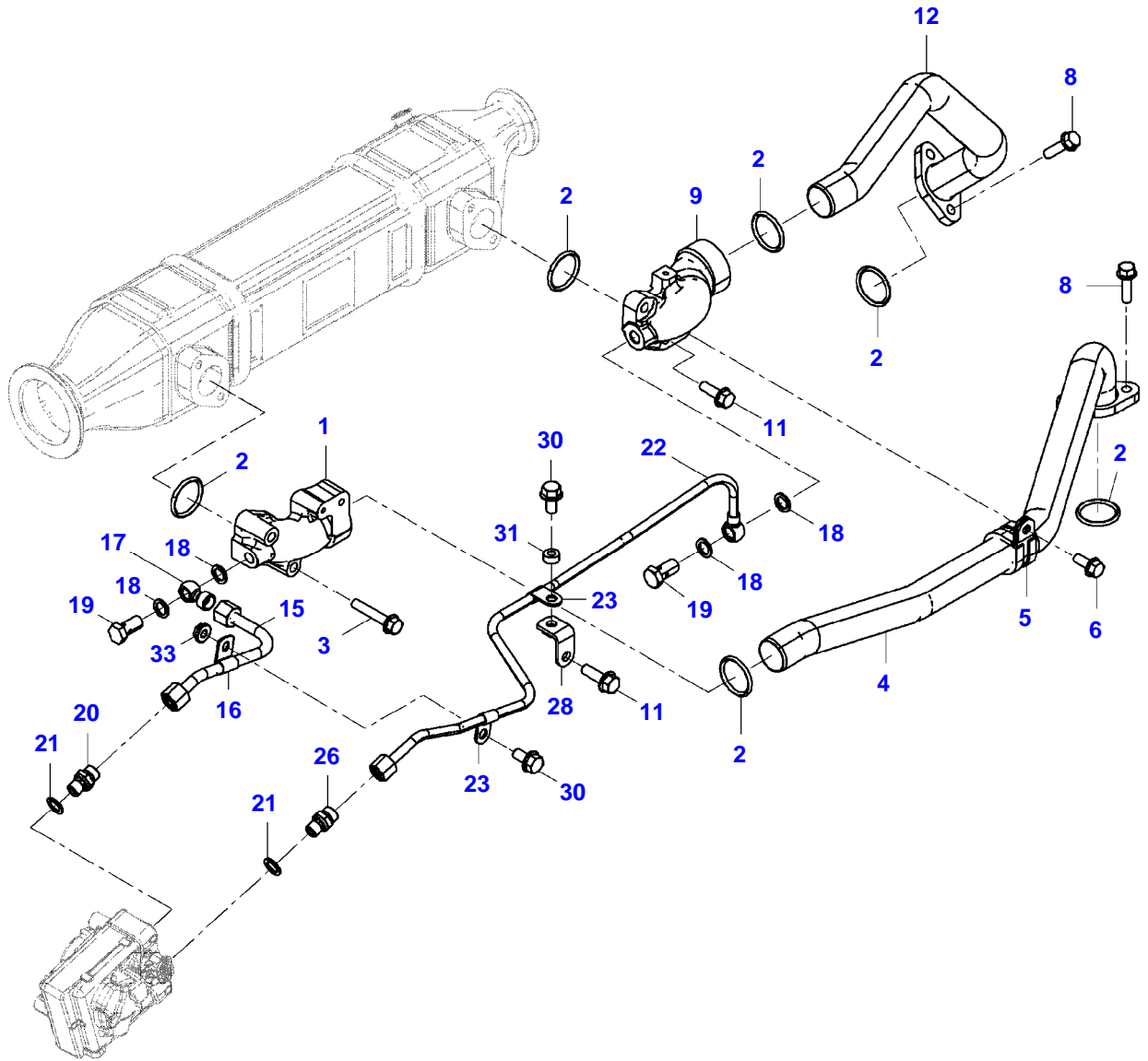
IDEAL 9 COMBINE (ZN2G0009C03020001-999)
19783415-M-3



19783415-M-3

Item	Part Number	Qty	Description Comments	Technical Specification
			ENGINE : TIER 4F 1 OF 2 UP TO ENGINE S/N 56851000065084	
1	ACP0358500	1	CONNECTING PART	
2	ACP0357680	6	SEALING WASHER	31,34X3,53N-EPDM9-70
3	72624663	2	HEX FLANGE CAPSCREW	M8X45-10.9
4	ACP0358520	1	COOLANT LINE INCLUDES ITEMS 5	
5	ACP0357710	1	CLIP	D1-32X20-W4-EPDM
6	72624230	1	HEX FLANGE CAPSCREW	M8X20-10.9
8	72624232	4	HEX FLANGE CAPSCREW	M8X30-10.9
9	ACP0358510	1	CONNECTING PART	
11	72624231	1	HEX FLANGE CAPSCREW	M8X25-10.9
12	ACP0358530	1	COOLANT LINE	
15	ACP0407690	1	COOLANT LINE	
16	ACP0407700	1	TUBE CLAMP	B10,1X20X28-7X10-UST37-2
17	72310189	1	RING FITTING	
18	ACP0357520	4	SEALING WASHER	A12X18-CU
19	72624325	2	BANJO BOLT	8-M3360-RK5-K
20	ACP0407710	1	SOCKET	L10
21	72624323	1	THREADED SOCKET	L10A-M12X1,5-ST
22	72624302	2	SEALING WASHER	12,3X18X1,5-ST/FKM1-80
23	ACP0407720	1	COOLANT LINE	
24	72624585	2	TUBE CLAMP	A8X16X28-9-UST37-2
27	72624320	1	THREADED SOCKET	L8A-M-ST
29	72624592	1	HOLDER	
31	72624225	1	HEX FLANGE CAPSCREW	M6X16-10.9
33	72624224	1	HEX FLANGE CAPSCREW	M6X12-10.9
34	ACP0408370	1	LOCKNUT	M6-10

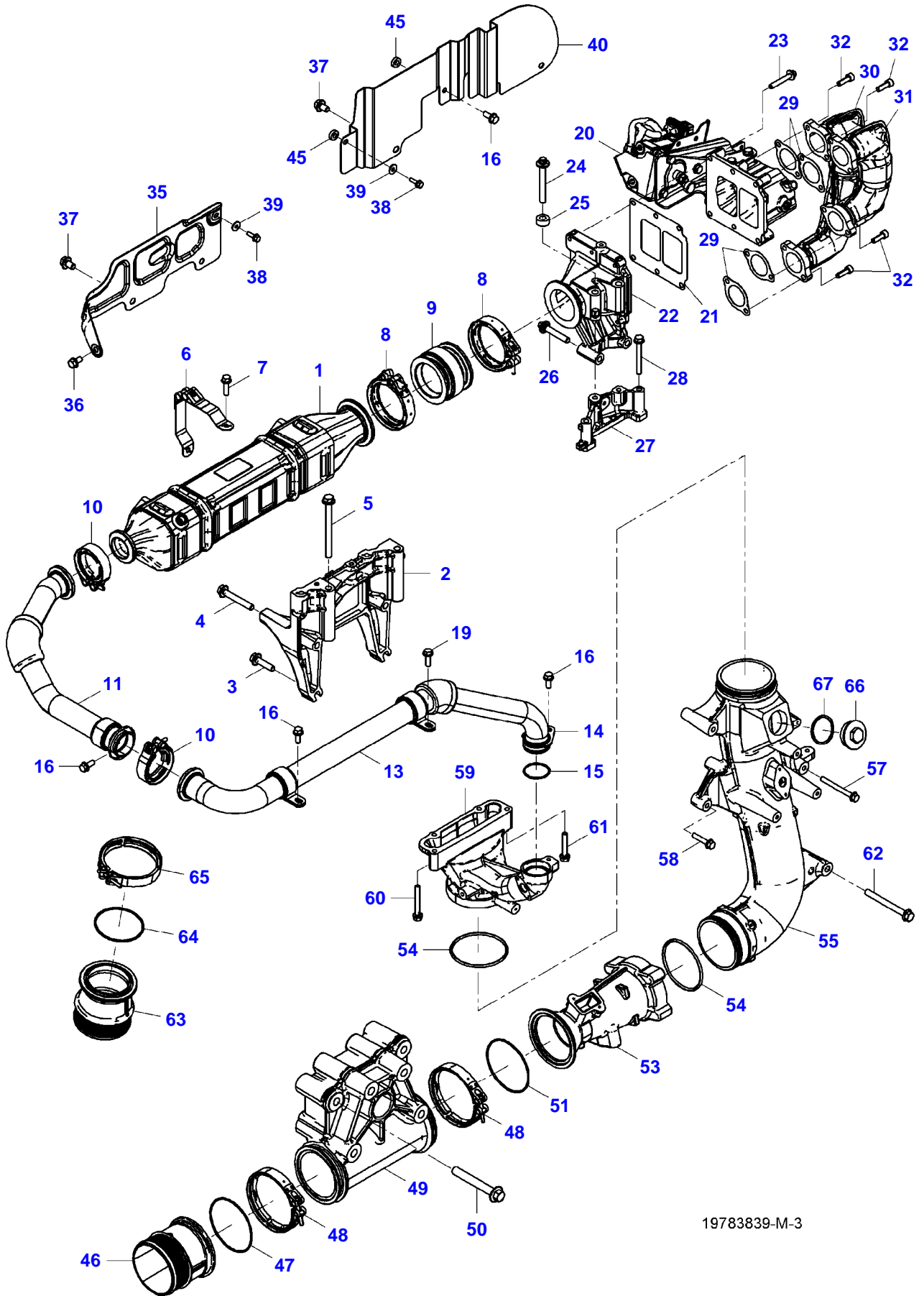
IDEAL 9 COMBINE (ZN2G0009C03020001-999)
23823284-M-1



23823284-M-1

Item	Part Number	Qty	Description Comments	Technical Specification
			ENGINE : TIER 4F 1 OF 2 FROM ENGINE S/N 56853230055315	
1	ACP0358500	1	CONNECTING PART	
2	ACP0357680	6	SEALING WASHER	31,34X3,53N-EPDM9-70
3	72624663	2	HEX FLANGE CAPSCREW	M8X45-10.9
4	ACP0358520	1	COOLANT LINE INCLUDES ITEMS 5	
5	ACP0357710	1	CLIP	D1-32X20-W4-EPDM
6	72624230	1	HEX FLANGE CAPSCREW	M8X20-10.9
8	72624232	4	HEX FLANGE CAPSCREW	M8X30-10.9
9	ACP0358510	1	CONNECTING PART	
11	72624231	3	HEX FLANGE CAPSCREW	M8X25-10.9
12	ACP0358530	1	COOLANT LINE	
15	ACP0407690	1	COOLANT LINE	
16	ACP0407700	1	TUBE CLAMP	B10,1X20X28-7X10-UST37-2
17	72310189	1	RING FITTING	
18	ACP0357520	4	SEALING WASHER	A12X18-CU
19	72624325	2	BANJO BOLT	8-M3360-RK5-K
20	72624323	1	THREADED SOCKET	L10A-M12X1,5-ST
21	72624302	2	SEALING WASHER	12,3X18X1,5-ST/FKM1-80
22	ACP0407720	1	COOLANT LINE	
23	72624585	2	TUBE CLAMP	A8X16X28-9-UST37-2
26	72624320	1	THREADED SOCKET	L8A-M-ST
28	72624592	1	HOLDER	
30	72624229	2	HEX FLANGE CAPSCREW	M8X16-10.9
31	ACP0407730	1	WASHER	9X19X4
33	ACP0353360	1	LOCKNUT	M8-10-MAN183-B1

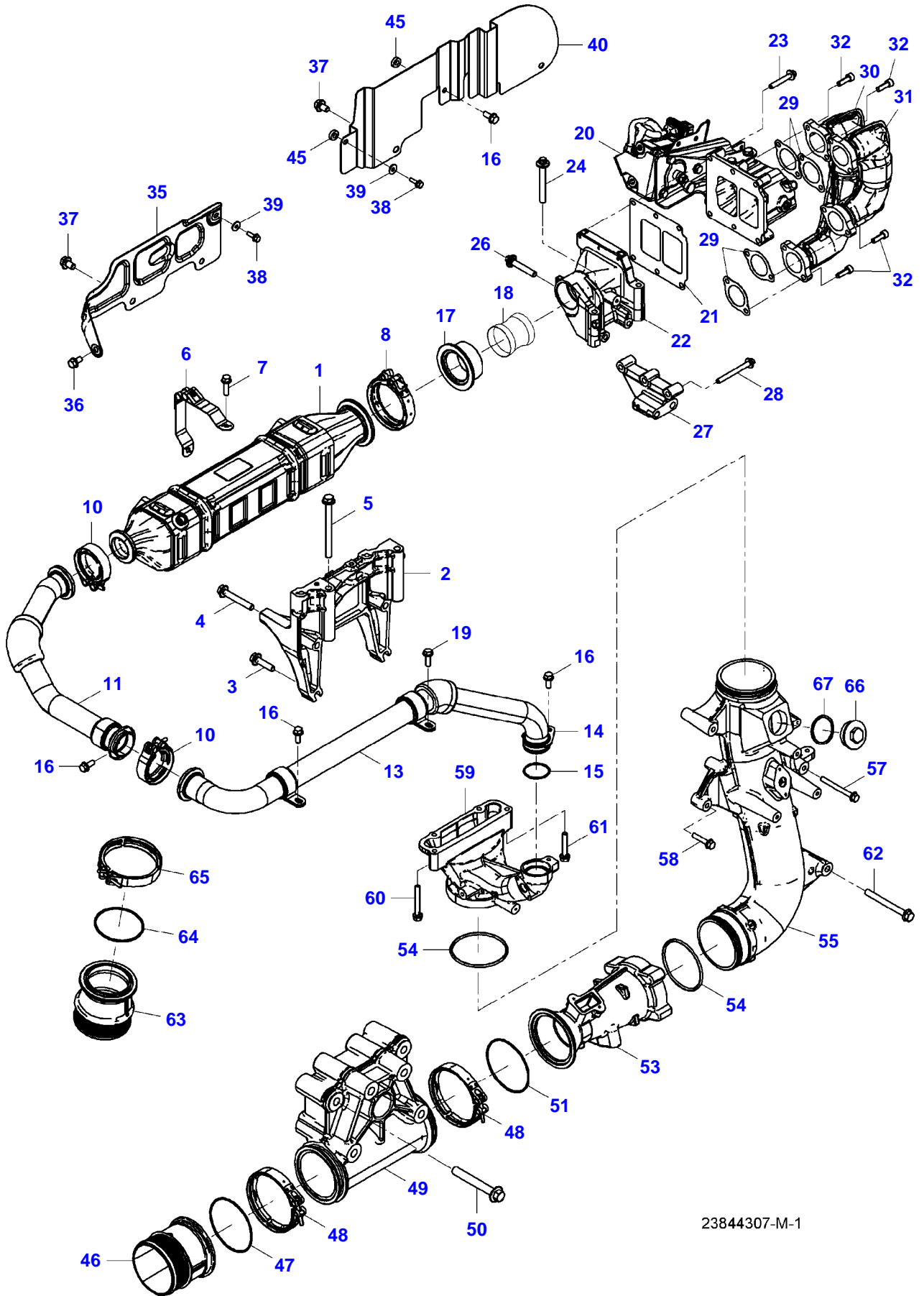
IDEAL 9 COMBINE (ZN2G0009C03020001-999)
19783839-M-3



19783839-M-3

Item	Part Number	Qty	Description Comments	Technical Specification
			ENGINE : TIER 4F 2 OF 2 UP TO ENGINE S/N 56851000065084	
1	ACP0300560	1	EGR-MODULE	
2	ACP0358730	1	CONSOLE	
3	ACP0353340	2	HEX FLANGE CAPSCREW	M10X40-10.9-MAN183-B1
4	ACP0357340	2	HEX FLANGE CAPSCREW	M10X70-10.9
5	72624247	2	HEX FLANGE CAPSCREW	M10X120-10.9
6	ACP0358750	2	BAND CLAMP	
7	72624232	4	HEX FLANGE CAPSCREW	M8X30-10.9
8	ACP0359570	2	PROFILE CLIP	93X20X1-7,9
9	ACP0359190	1	COMPENSATOR	
10	ACP0359580	2	PROFILE CLIP	DMR65-5,3B W4
11	ACP0358790	1	RETURN TUBE	
13	ACP0358800	1	RETURN TUBE	
14	ACP0357800	1	HOLDER	
15	72313527	1	SEAL	
16	72624230	4	HEX FLANGE CAPSCREW	M8X20-10.9
19	72624231	1	HEX FLANGE CAPSCREW	M8X25-10.9
20	ACP0300700	1	EGR VALVE	
21	ACP0358810	1	GASKET	
22	ACP0358760	1	CONSOLE	
23	72624667	6	HEXAGON FLANGE BOLT	M8X50-1.7709-E12-GA
24	ACP0359330	2	TRUSS HEAD SCREW	M10X80-1.4980-E14-SD
25	ACP0407740	2	BUSHING	
26	72315395	2	WASHER HEAD BOLT	
27	ACP0358740	1	HOLDER	
28	72455491	2	HEXAGONAL HEAD BOLT	
29	ACP0358870	4	GASKET	
30	ACP0358780	1	RETURN TUBE	
31	ACP0358770	1	RETURN TUBE	
32	ACP0407750	8	SOCKET HEAD BOLT	M8X25-HWF-T45
35	ACP0358710	1	FENDER	
36	72624229	1	HEX FLANGE CAPSCREW	M8X16-10.9
37	72624222	4	HEX FLANGE CAPSCREW	M10X16-8.8
38	72624226	2	HEX FLANGE CAPSCREW	M6X20-10.9
39	72624284	2	WASHER	6X18X1,6-200HV
40	ACP0358720	1	FENDER	
45	ACP0435180	2	BUSHING	9X18X5
46	ACP0407800	1	SOCKET	
47	ACP0353410	1	SEALING WASHER	101,2X2,62N-FPM1-70-GN
48	ACP0353870	2	PROFILE CLIP	
49	ACP0358920	1	CHARGE AIR ELBOW	
50	ACP0357430	2	HEX FLANGE CAPSCREW	M14X105-10.9
51	72423310	1	O-RING	
53	ACP0407810	1	CHARGE AIR TUBE	
54	ACP0353390	2	SEALING WASHER	92X4,5N-NBR3-70
55	ACP0407830	1	CHARGE AIR ELBOW	
57	72624236	2	HEX FLANGE CAPSCREW	M8X80-10.9
58	72624234	1	HEX FLANGE CAPSCREW	M8X40-10.9
59	ACP0407840	1	CHARGE AIR ELBOW	
60	ACP0353300	2	HEX FLANGE CAPSCREW	M8X65-10.9-MAN183-B1
61	72433860	2	TORX SCREW	
62	72624245	1	HEX FLANGE CAPSCREW	M10X100-10.9
63	ACP0358890	1	CHARGE AIR ELBOW	
64	ACP0407850	1	SEALING WASHER	90X82X2,3
65	ACP0359560	1	PROFILE CLIP	108X20-A2
66	ACP0357470	1	PLUG SCREW	CM45X1,5-ST-ZNPHR3F
67	ACP0357530	1	SEALING WASHER	A45X52-CU

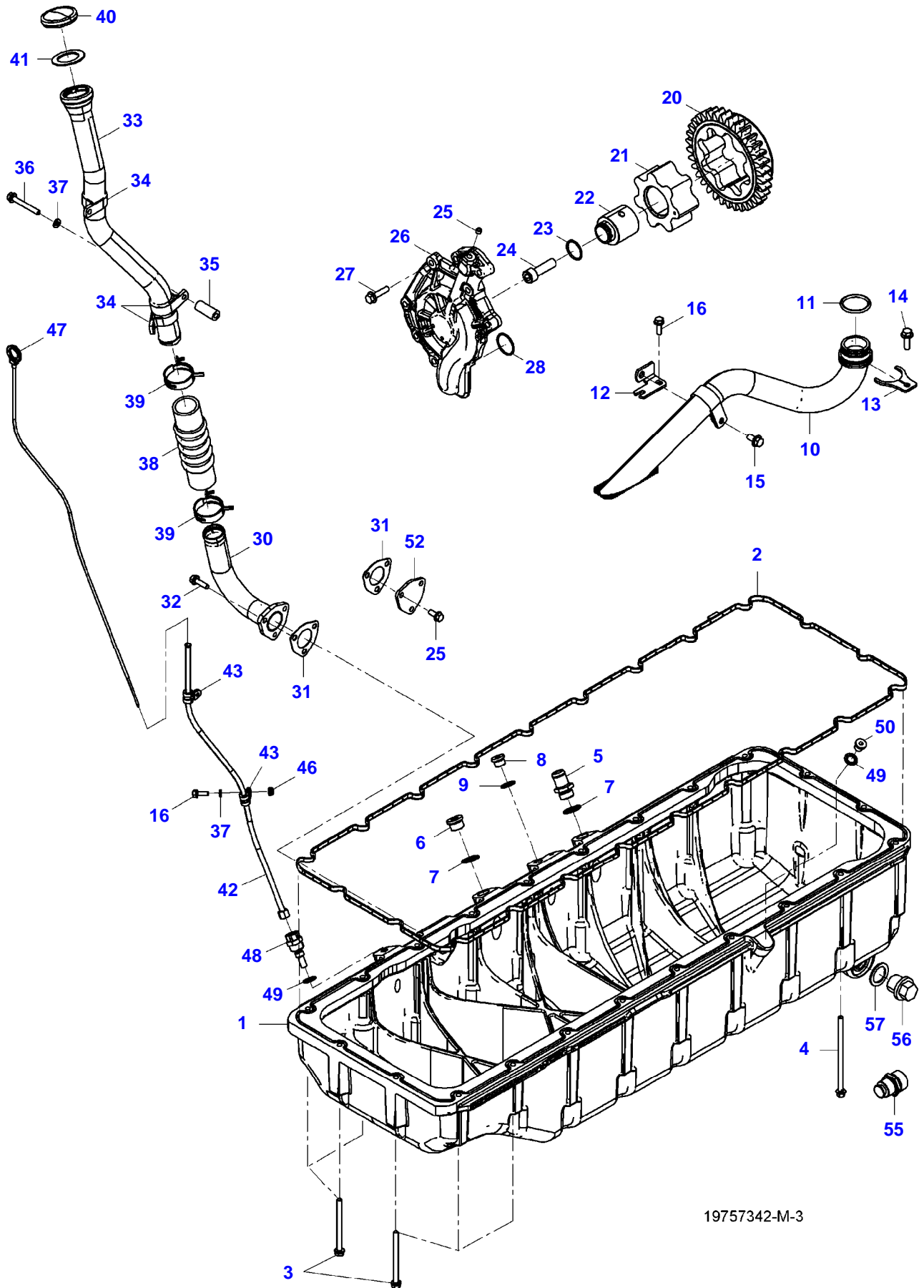
IDEAL 9 COMBINE (ZN2G0009C03020001-999)
23844307-M-1



23844307-M-1

Item	Part Number	Qty	Description Comments	Technical Specification
			ENGINE : TIER 4F 2 OF 2 FROM ENGINE S/N 56853230055315	
1	ACP0300560	1	EGR-MODULE	
2	ACP0358730	1	CONSOLE	
3	ACP0353340	2	HEX FLANGE CAPSCREW	M10X40-10.9-MAN183-B1
4	ACP0357340	2	HEX FLANGE CAPSCREW	M10X70-10.9
5	72624247	2	HEX FLANGE CAPSCREW	M10X120-10.9
6	ACP0358750	2	BAND CLAMP	
7	72624232	4	HEX FLANGE CAPSCREW	M8X30-10.9
8	ACP0359570	1	PROFILE CLIP	93X20X1-7,9
10	ACP0359580	2	PROFILE CLIP	DMR65-5,3B W4
11	ACP0358790	1	RETURN TUBE	
13	ACP0358800	1	RETURN TUBE	
14	ACP0357800	1	HOLDER	
15	72313527	1	SEAL	
16	72624230	4	HEX FLANGE CAPSCREW	M8X20-10.9
17	ACP0435630	1	SOCKET	
18	ACP0358700	1	CONNECTING PIECE	
19	72624231	1	HEX FLANGE CAPSCREW	M8X25-10.9
20	ACP0435620	1	EGR VALVE	
21	ACP0358860	1	GASKET	
22	ACP0435670	1	CONSOLE	
23	72624667	3	HEXAGON FLANGE BOLT	M8X50-1.7709-E12-GA
24	ACP0435680	2	HEXAGON FLANGE BOLT	M10X95-1.7709-E14-GA
26	72315395	2	WASHER HEAD BOLT	
27	ACP0435690	1	HOLDER	
28	ACP0435700	3	TRUSS HEAD SCREW	M8X80-1.7709-E12-GA
29	ACP0358870	4	GASKET	
30	ACP0358780	1	RETURN TUBE	
31	ACP0358770	1	RETURN TUBE	
32	ACP0407750	8	SOCKET HEAD BOLT	M8X25-HWF-T45
35	ACP0358710	1	FENDER	
36	72624229	1	HEX FLANGE CAPSCREW	M8X16-10.9
37	72624222	4	HEX FLANGE CAPSCREW	M10X16-8.8
38	72624226	2	HEX FLANGE CAPSCREW	M6X20-10.9
39	72624284	2	WASHER	6X18X1,6-200HV
40	ACP0435710	1	FENDER	
45	ACP0435180	2	BUSHING	9X18X5
46	ACP0407800	1	SOCKET	
47	ACP0353410	1	SEALING WASHER	101,2X2,62N-FPM1-70-GN
48	ACP0353870	2	PROFILE CLIP	
49	ACP0358920	1	CHARGE AIR ELBOW	
50	ACP0357430	2	HEX FLANGE CAPSCREW	M14X105-10.9
51	72423310	1	O-RING	
53	ACP0407810	1	CHARGE AIR TUBE	
54	ACP0353390	2	SEALING WASHER	92X4,5N-NBR3-70
55	ACP0407830	1	CHARGE AIR ELBOW	
57	72624236	2	HEX FLANGE CAPSCREW	M8X80-10.9
58	72624234	1	HEX FLANGE CAPSCREW	M8X40-10.9
59	ACP0407840	1	CHARGE AIR ELBOW	
60	ACP0353300	2	HEX FLANGE CAPSCREW	M8X65-10.9-MAN183-B1
61	72433860	2	TORX SCREW	
62	72624245	1	HEX FLANGE CAPSCREW	M10X100-10.9
63	ACP0358890	1	CHARGE AIR ELBOW	
64	ACP0407850	1	SEALING WASHER	90X82X2,3
65	ACP0359560	1	PROFILE CLIP	108X20-A2
66	ACP0357470	1	PLUG SCREW	CM45X1,5-ST-ZNPHR3F
67	ACP0357530	1	SEALING WASHER	A45X52-CU

IDEAL 9 COMBINE (ZN2G0009C03020001-999)
19757342-M-3



19757342-M-3

Thank you so much for reading.
Please click the “Buy Now!”
button below to download the
complete manual.



After you pay.

You can download the most
perfect and complete manual in
the world immediately.

Our support email:

ebooklibonline@outlook.com