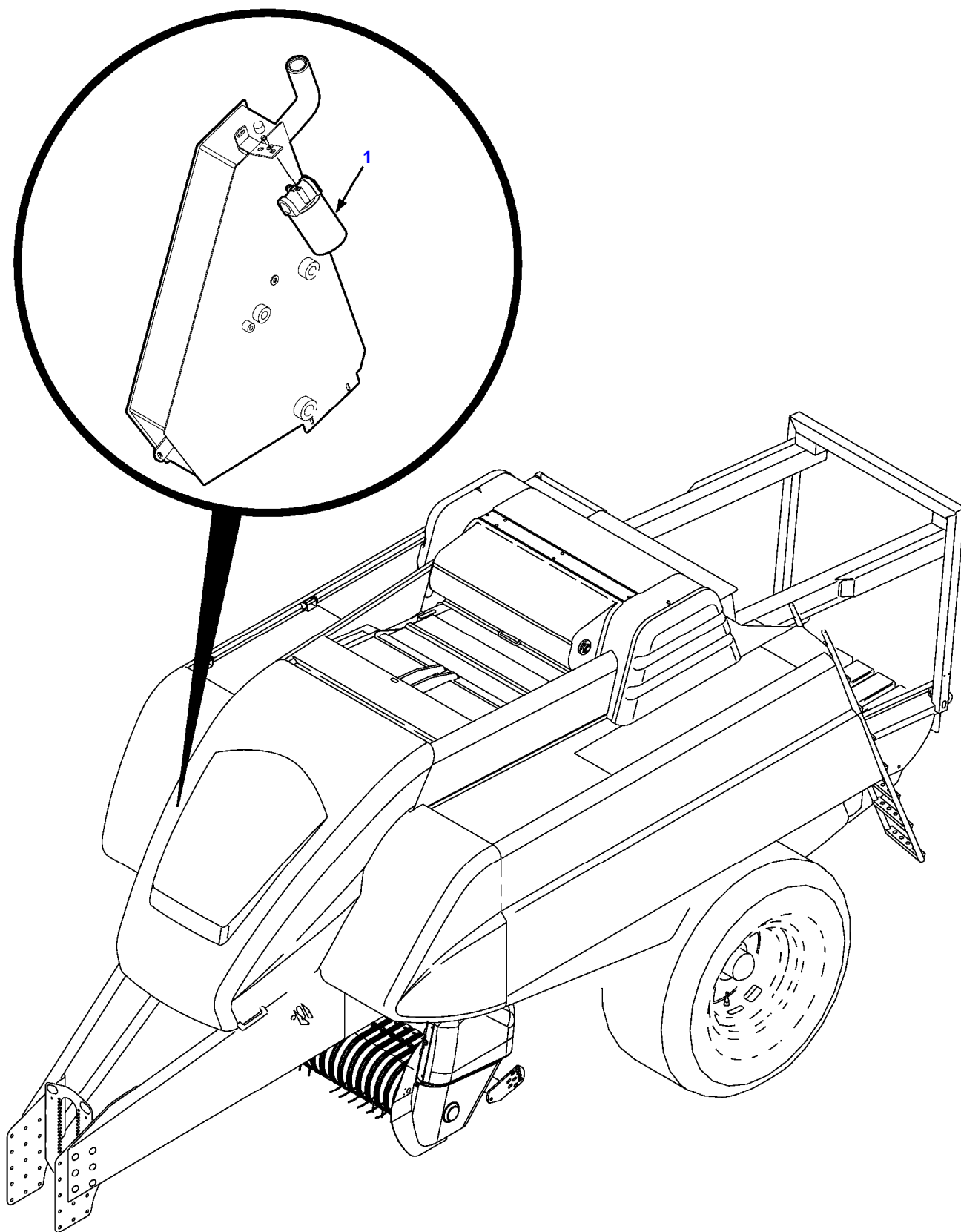


<b>Page Number</b>	<b>Page Title</b>	<b>Page Reference</b>
01-000-TOC	DRIVE SYSTEM	01-000-TOC
02-000-TOC	HYDRAULIC SYSTEM	02-000-TOC
03-000-TOC	ELECTRICAL SYSTEM	03-000-TOC
04-000-TOC	BALE FEEDING SYSTEM	04-000-TOC
05-000-TOC	BALE FORMING SYSTEM	05-000-TOC
06-000-TOC	BALE KNOTTING SYSTEM	06-000-TOC
07-000-TOC	BALE EJECTING SYSTEM	07-000-TOC
08-000-TOC	CHASSIS	08-000-TOC
09-000-TOC	DECALS	09-000-TOC
10-000-TOC	AXLES, SPINDLES, AND WHEELS	10-000-TOC
11-000-TOC	BRAKE SYSTEM	11-000-TOC
12-000-TOC	ACCESSORIES	12-000-TOC

## DRIVE SYSTEM

Page Number	Page Title	Page Reference
01-0001	FILTER	T13D23K32B0001
01-0002	MAIN DRIVE	T13D23K32B0005
01-0003	CLUTCH - FLYWHEEL - NON-XD	T13D23K32B0006
01-0004	CLUTCH - FLYWHEEL - XD	T13D23K32B0007
01-0005	DRIVE SHAFT S/N EHB04101 - EHB04242 S/N EHB07101 - EHB07119	T13D23K32B0008
01-0006	DRIVE SHAFT S/N EHB04243 AND LATER S/N EHB07120 AND LATER	1592619
01-0007	SECONDARY DRIVE SHAFT - NON-XD	T13D23K32B0009
01-0008	SECONDARY DRIVE SHAFT - XD	T13D23K32B0010
01-0009	PRIMARY DRIVE SHAFT - CE 1-3/8 INCH X 21 SPLINE	T13D23K32B0014
01-0010	PRIMARY DRIVE SHAFT - CE 1-3/4 INCH X 20 SPLINE	T13D23K32B0015
01-0011	BRAKE - FLYWHEEL	T13D23K32B0016
01-0012	MOUNTING - FLYWHEEL - NON-XD	T13D23K32B0017
01-0013	MOUNTING - GEARBOX AND FLYWHEEL - XD	T13D23K32B0018
01-0014	GEARBOX ASSEMBLY - NON-XD	T13D23K32B0019
01-0015	GEARBOX ASSEMBLY - XD	T13D23K32B0020
01-0016	AUXILIARY DRIVE - LEFT HAND	T13D23K32B0021
01-0017	AUXILIARY DRIVE - RIGHT HAND	T13D23K32B0022
01-0018	SHAFT AND SPROCKET - AUXILIARY	T13D23K32B0023
01-0019	SLIP CLUTCH - AUXILIARY	T13D23K32B0024
01-0020	DRIVE - CUTTER	T13D23K32B0025
01-0021	GEARBOX ASSEMBLY - CUTTER	T13D23K32B0026
01-0022	SLIP CLUTCH - CUTTER	T13D23K32B0027
01-0023	CHAIN LUBE WITHOUT CUTTER	1499650
01-0024	CHAIN LUBE WITH CUTTER	1499651

1290N / 1290S LARGE RECTANGULAR BALER (EHB04101 - GHB04100)  
FILTER



---

Fendt

1290N / 1290S LARGE RECTANGULAR BALER (EHB04101 - 9999)

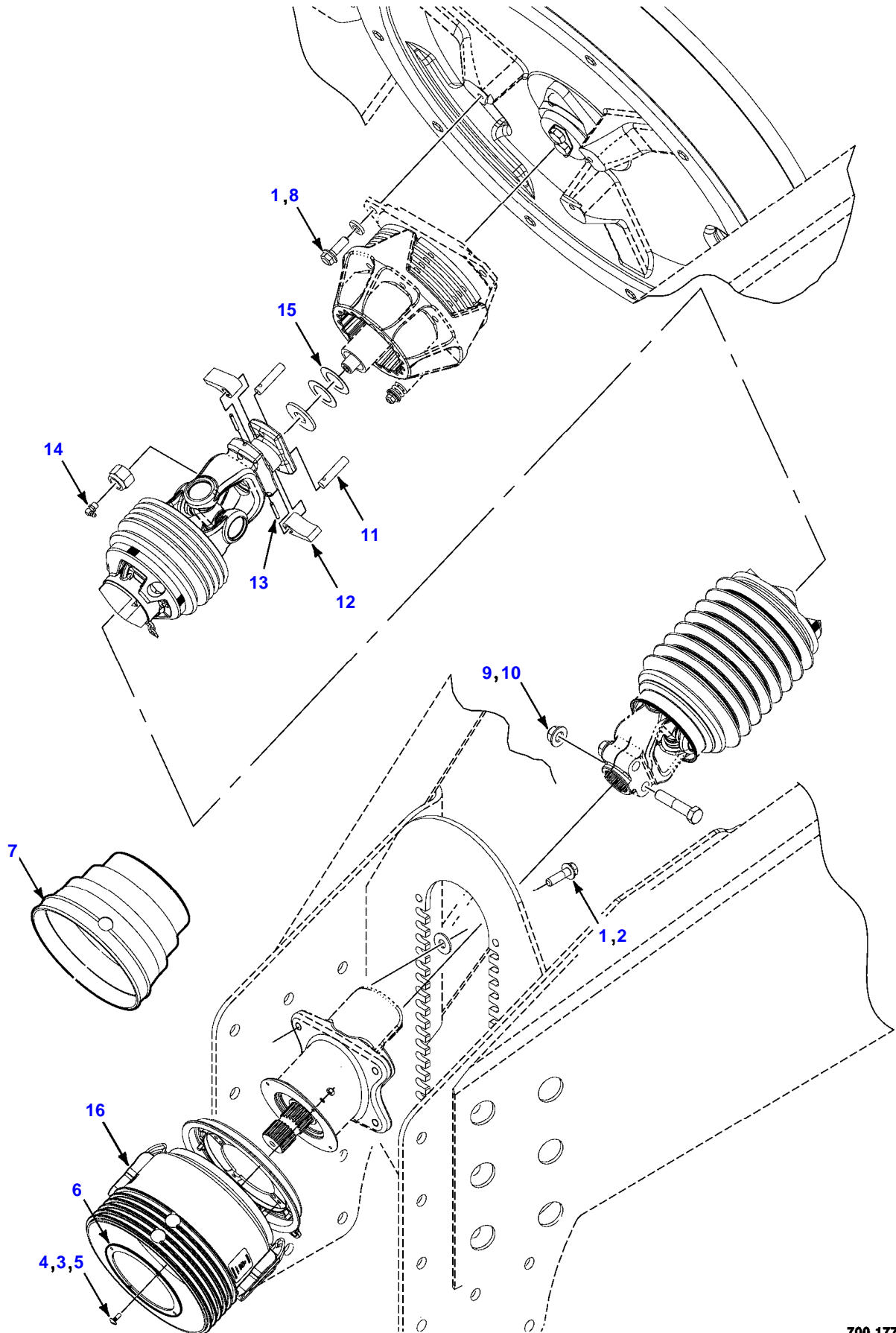
79035897

FILTER

Page01-0001

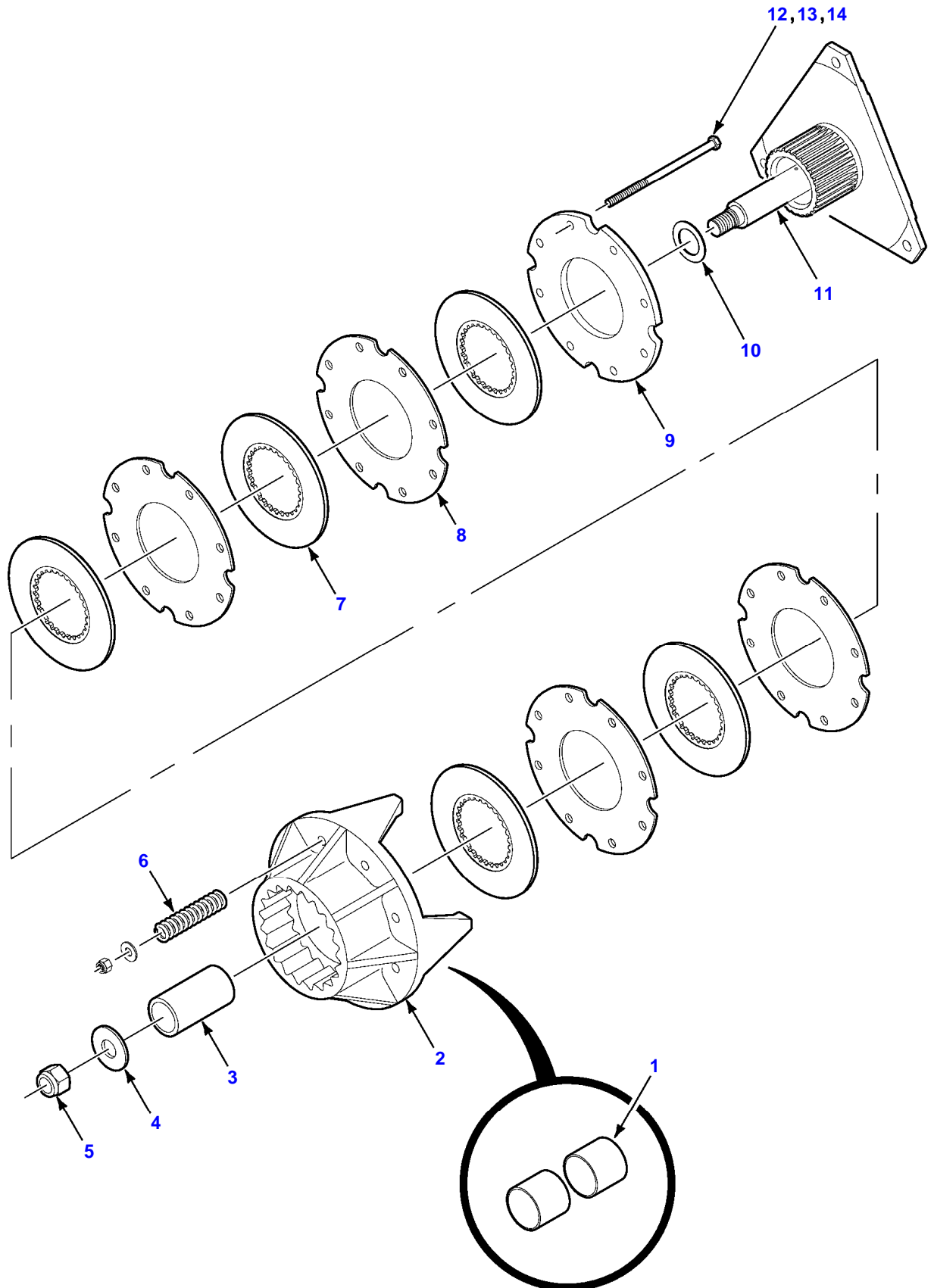
Item	Part Number	Qty	Description Comments
1	700738685	1	FILTER
	700738686	1	FILTER ELEMENT

1290N / 1290S LARGE RECTANGULAR BALER (EHB04101 - GHB04100)  
MAIN DRIVE



Item	Part Number	Qty	Description Comments	Technical Specification
1	8701237	7	HEX FLANGE HEAD BOLT	1/2"-13 X 1-1/2", GR8
2	700711557	4	FLAT WASHER	1/2"
3	7705692	4	LOCK WASHER	#12
4	700737790	4	PAN HEAD SCREW	#12-24 X 3/4, RIBBED NECK
5	700705521	4	SPECIAL LOCKNUT	#12-24
6	700143340	1	MOUNTING FLANGE	
7	700729081	1	CONE GUARD	
8	705541	3	FLAT WASHER	1/2"
9	700708270	2	HEX HEAD BOLT	5/8"-11 X 3", GR8
10	700703922	2	HEX FLANGE LOCKNUT	5/8"-11
11	700113037	2	PAWL PIN	
12	700113036	2	CLUTCH PAWL	
13	Z63396	2	SPLIT PIN	3/16" X 1-1/2"
14	Z77115	1	GREASE FITTING	1/8"-27, 90D
15	6522932	2	CLUTCH SHIM	1-13/32" ID X 2-1/4" OD
16	700744199	1	CONE SHIELD	

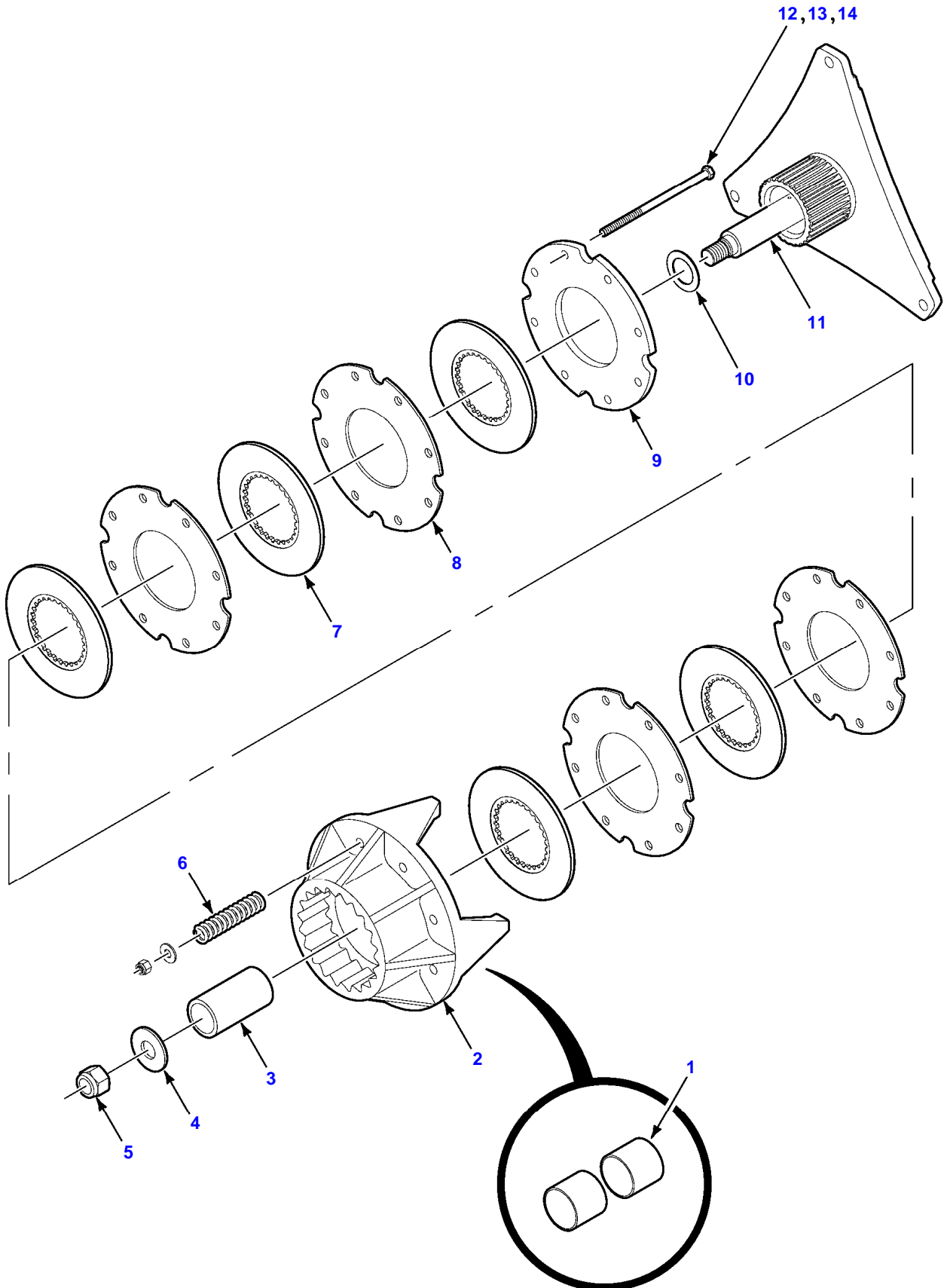
1290N / 1290S LARGE RECTANGULAR BALER (EHB04101 - GHB04100)  
CLUTCH - FLYWHEEL



Item	Part Number	Qty	Description Comments	Technical Specification
1	7852114	2	BUSHING	1-1/2" ID X 1-3/8", BRONZE
2	700164637	1	CLUTCH HOUSING	
	7852114	2	BUSHING	1-1/2" ID X 1-3/8", BRONZE
3	6350805	1	HEADER PICKUP TUBE	2" OD X 3-3/4"
4	76521	1	FLAT WASHER	NON-PLATED, 7/8
5	700707250	1	HEX NUT	7/8"-14
6	858019	8	COMPRESSION SPRING	
7	700108820	5	FRICTION DISC	6-7/8" DIA
8	700112903	4	CLUTCH PLATE	
9	6522866	1	CLUTCH PLATE	
10	Z52274	1	MACHINERY BUSHING	1-3/8" X 14GA
11	700193077	1	CLUTCH PILOT	
12	700732562	8	HEX HEAD BOLT	3/8"-16 X 7-1/2", GR5
13	700709603	8	FLAT WASHER	3/8"
14	704734	8	HEX FLANGE LOCKNUT	3/8"-16

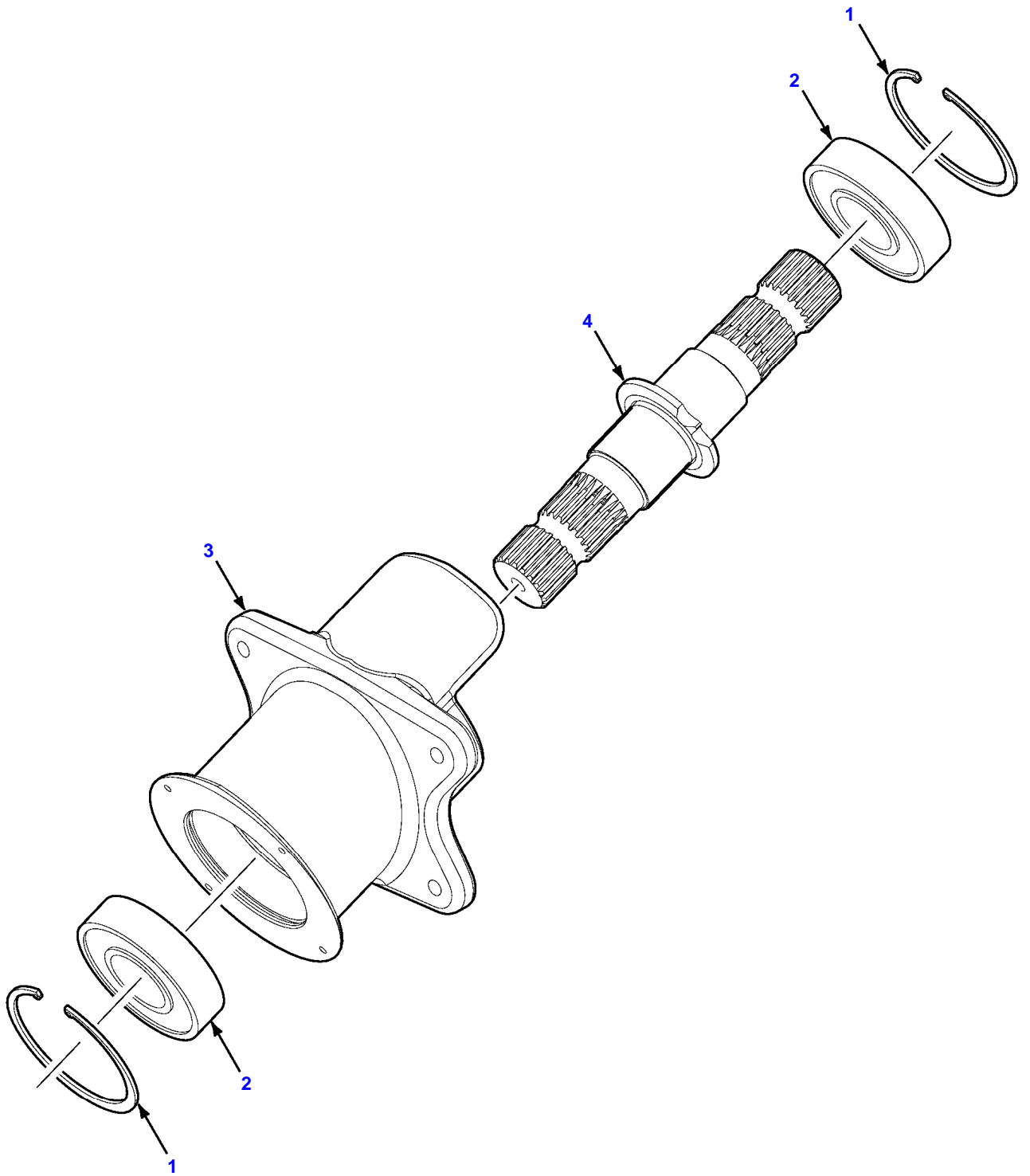


1290N / 1290S LARGE RECTANGULAR BALER (EHB04101 - GHB04100)  
CLUTCH - FLYWHEEL



Item	Part Number	Qty	Description Comments	Technical Specification
1	7852114	2	BUSHING	1-1/2" ID X 1-3/8", BRONZE
2	700164637	1	CLUTCH HOUSING	
	7852114	2	BUSHING	1-1/2" ID X 1-3/8", BRONZE
3	6350805	1	HEADER PICKUP TUBE	2" OD X 3-3/4"
4	76521	1	FLAT WASHER	NON-PLATED, 7/8
5	700707250	1	HEX NUT	7/8"-14
6	858019	8	COMPRESSION SPRING	
7	700108820	5	FRICTION DISC	6-7/8" DIA
8	700112903	4	CLUTCH PLATE	
9	6522866	1	CLUTCH PLATE	
10	Z52274	1	MACHINERY BUSHING	1-3/8" X 14GA
11	700177894	1	SHAFT	
12	700732562	8	HEX HEAD BOLT	3/8"-16 X 7-1/2", GR5
13	700709603	8	FLAT WASHER	3/8"
14	704734	8	HEX FLANGE LOCKNUT	3/8"-16

1290N / 1290S LARGE RECTANGULAR BALER (EHB04101 - GHB04100)  
DRIVE SHAFT



Fendt

1290N / 1290S LARGE RECTANGULAR BALER (EHB04101 - 9999)

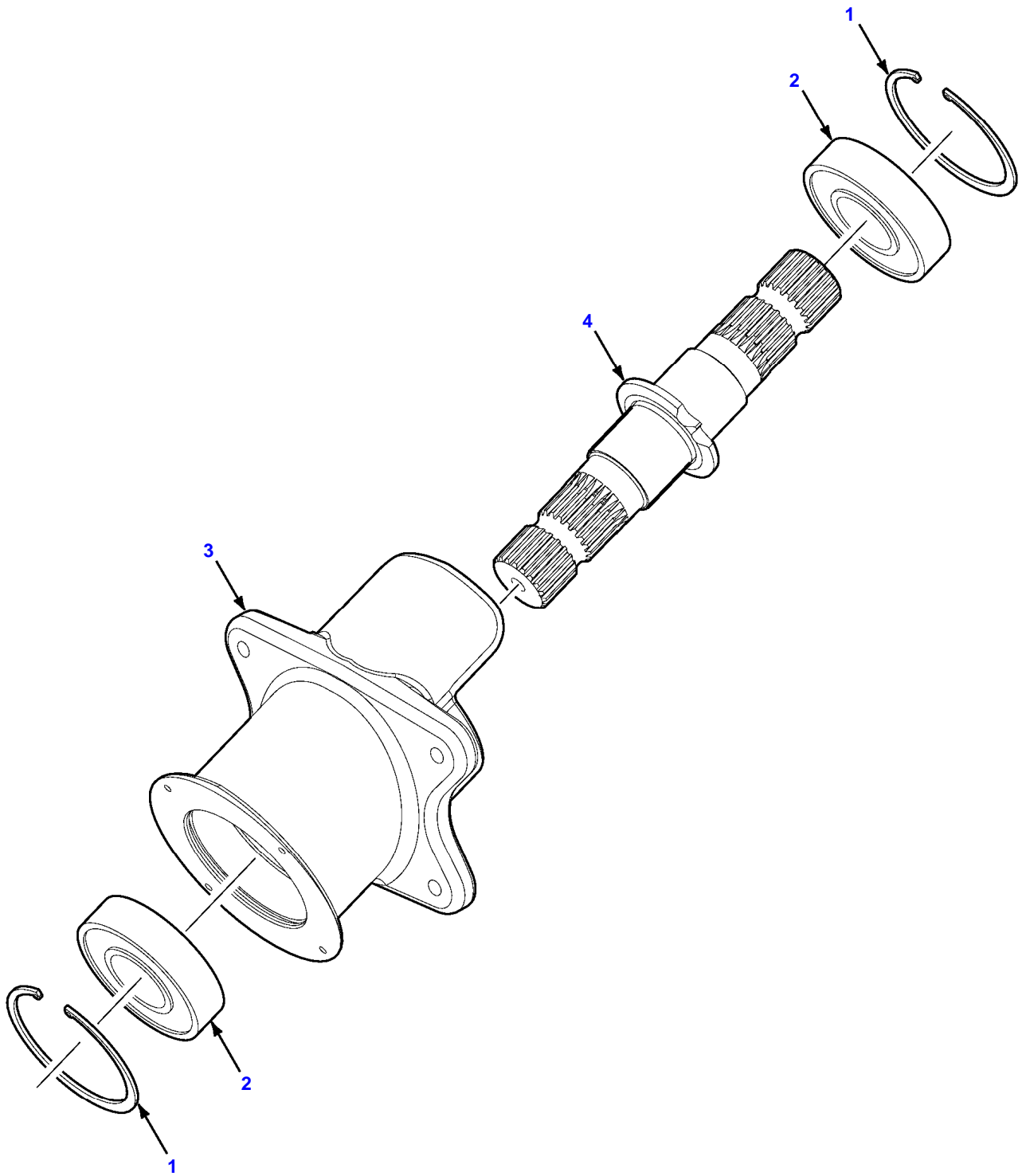
79035897

DRIVE SHAFT

Page01-0005

Item	Part Number	Qty	Description Comments	Technical Specification
			S/N EHB04101 - EHB04242 S/N EHB07101 - EHB07119	
1	8052326	2	RETAINING RING	101MM OD
2	700721594	2	BALL BEARING	45 X 100 X 25MM
3	700734696	1	SUPPORT	
4	700174791	1	DRIVE SHAFT	

1290N / 1290S LARGE RECTANGULAR BALER (EHB04101 - GHB04100)  
DRIVE SHAFT



Fendt

1290N / 1290S LARGE RECTANGULAR BALER (EHB04101 - 9999)

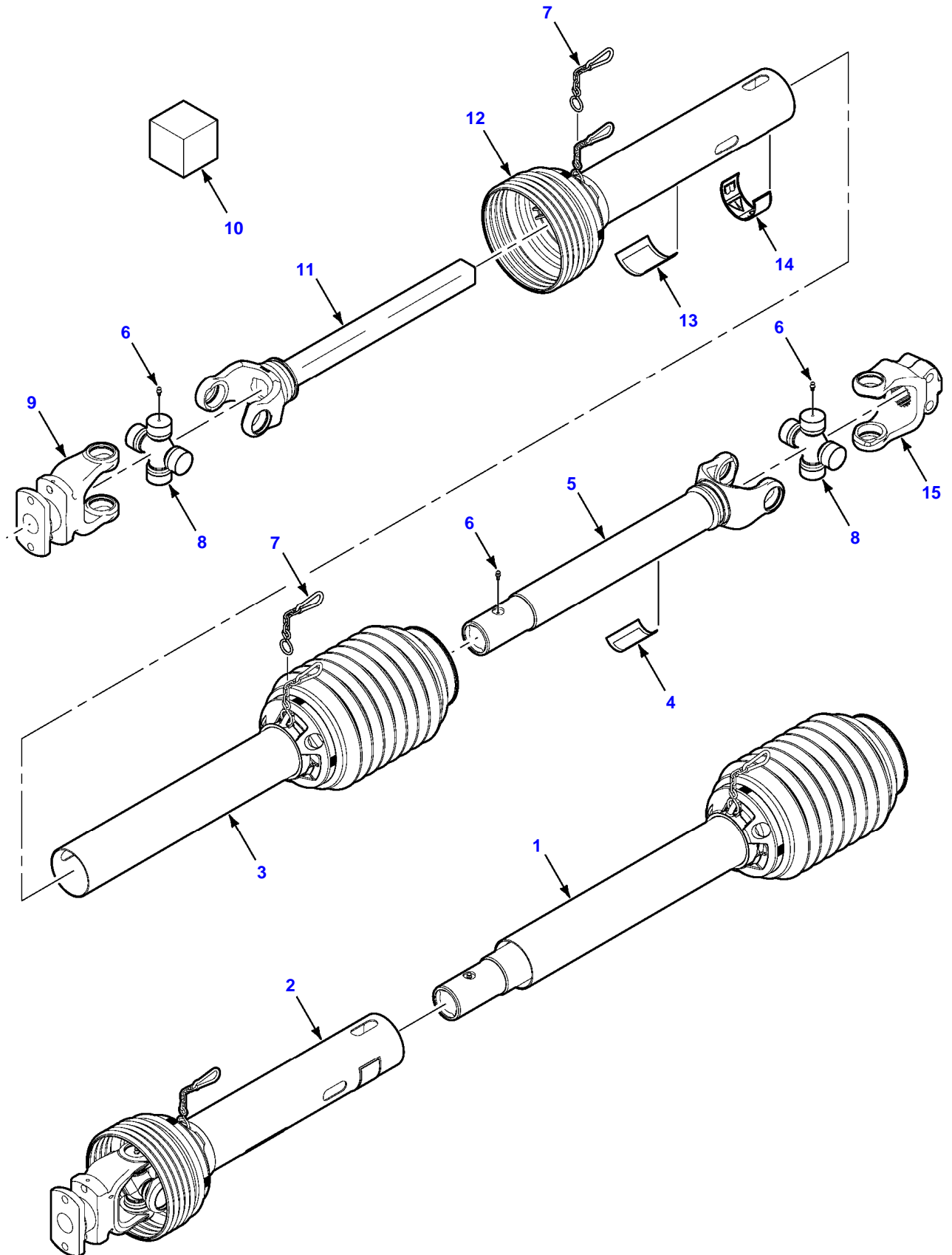
79035897

DRIVE SHAFT

Page01-0006

Item	Part Number	Qty	Description Comments	Technical Specification
			S/N EHB04243 AND LATER S/N EHB07120 AND LATER	
1	8052326	2	RETAINING RING	101MM OD
2	700721594	2	BALL BEARING	45 X 100 X 25MM
3	700744200	1	HOUSING SUPPORT	
4	700174791	1	DRIVE SHAFT	

1290N / 1290S LARGE RECTANGULAR BALER (EHB04101 - GHB04100)  
SECONDARY DRIVE SHAFT

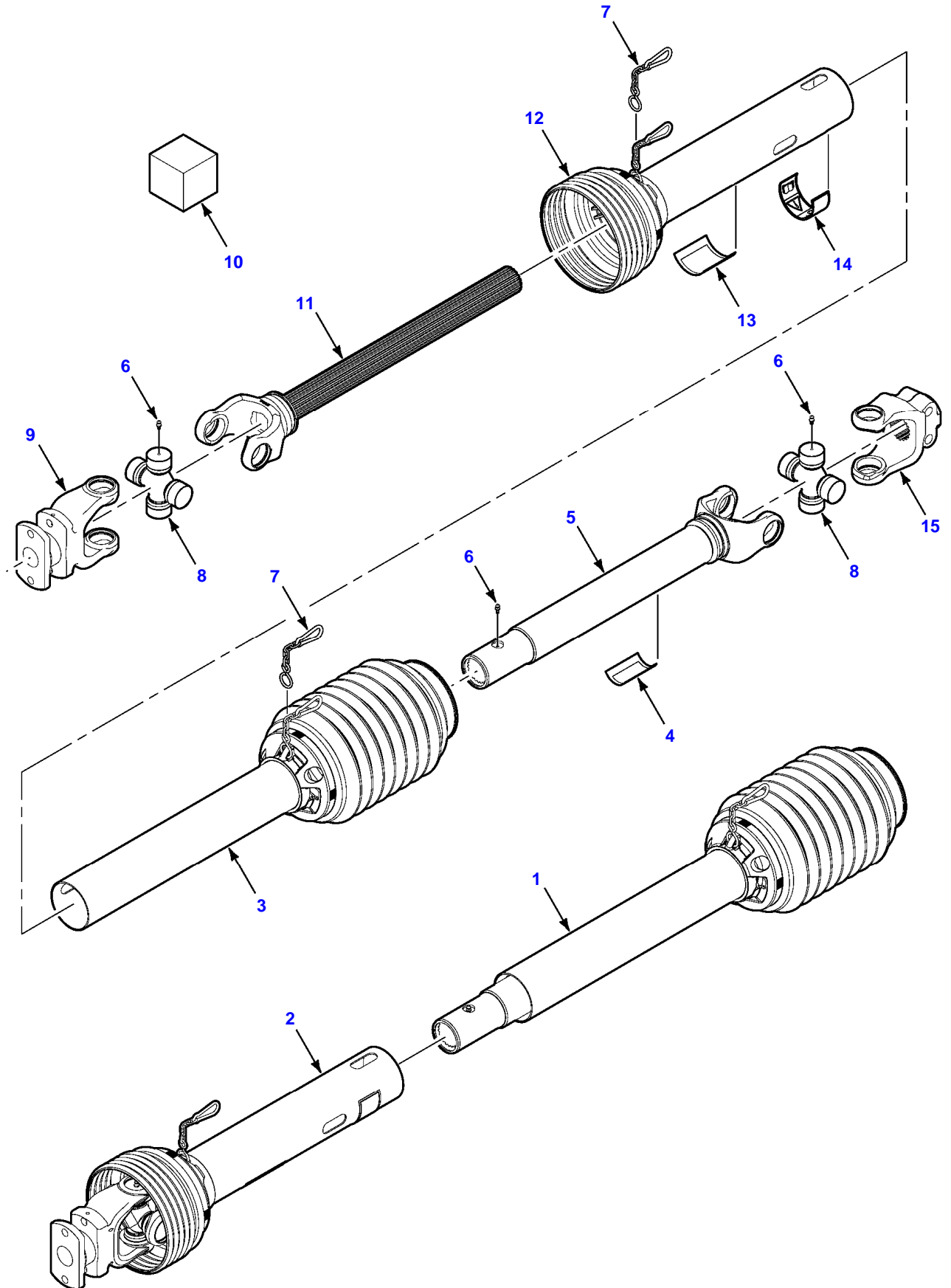


Item	Part Number	Qty	Description Comments	Technical Specification
1	700724125	1	PTO HALF SHAFT	
2	700724123	1	PTO HALF SHAFT	
3	700724141	1	DRIVE SHAFT SAFETY GUARD	
4	700747136	1	DANGER DECAL, SHIELD MISSING	127MM X 87MM
5	700724142	1	YOKE TUBE [A]	
6	Z77016	3	GREASE FITTING	1/4"-28
7	700720152	2	CHAIN KIT	
8	700724136	2	CROSS AND BEARING KIT	39MM DIA CAP, 109MM OL
	Z77016	1	GREASE FITTING	1/4"-28
9	700706955	1	YOKE	
	7711799	1	CYLINDRICAL BEARING	
	700706956	1	BUSHING	35MM X 41MM X 32MM, BRONZE
	7052798	1	RETAINING RING	52.17MM
	Z77107	1	GREASE FITTING	1/8"-27, 65D
10	700723268	2	GUARD BUSHING KIT	NYLON
11	700724137	1	YOKE SHAFT	
12	700724140	1	DRIVE SHAFT SAFETY GUARD [A]	
13	700747135	1	DANGER DECAL, ROTATING DRIVELINE	134MM X 95MM
14	700746100	1	WARNING DECAL	
15	700721794	1	YOKE	

[A] THE APPROPRIATE SAFETY DECALS MUST BE ORDERED AND FITTED TO THIS PART



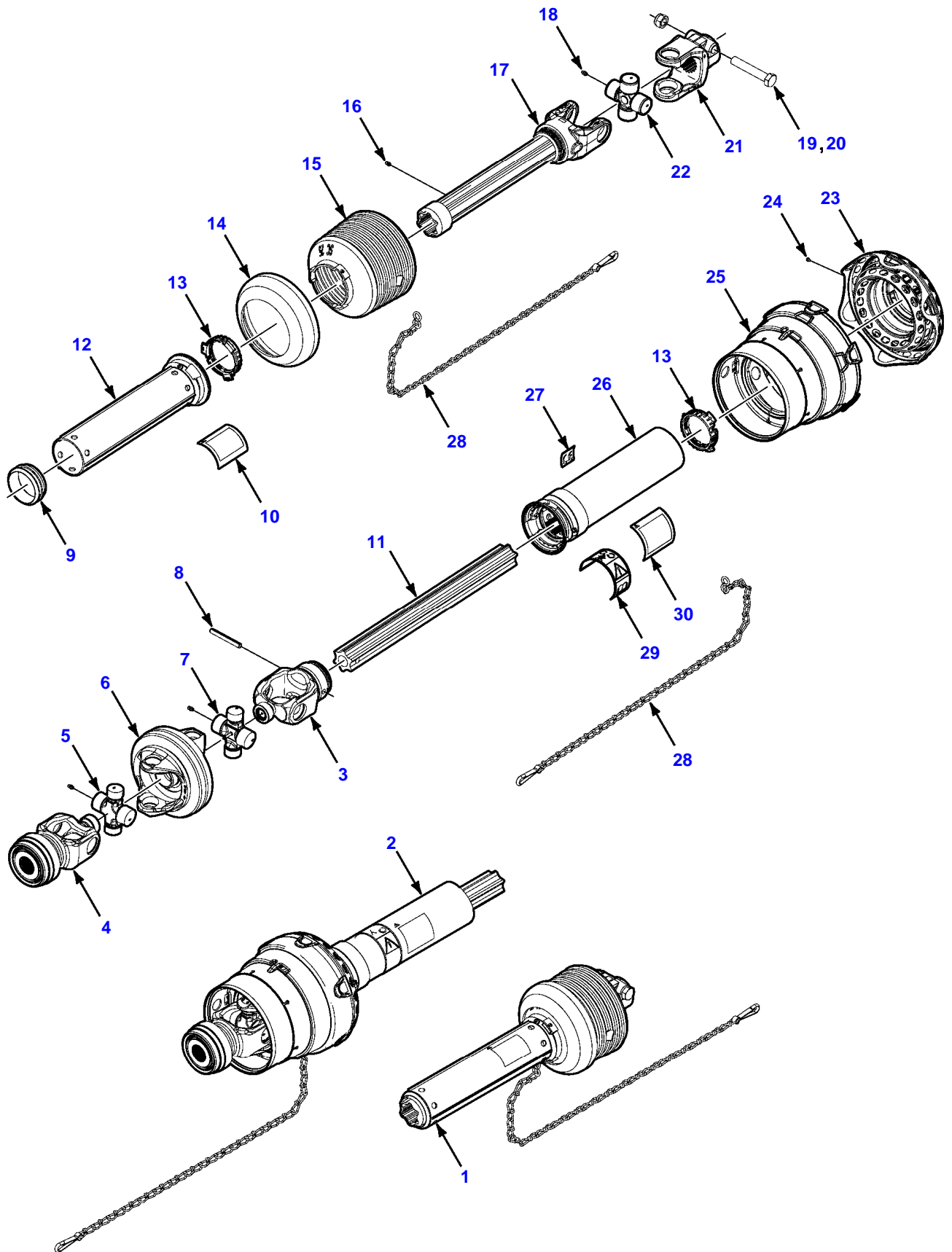
1290N / 1290S LARGE RECTANGULAR BALER (EHB04101 - GHB04100)  
SECONDARY DRIVE SHAFT



Item	Part Number	Qty	Description Comments	Technical Specification
1	700736940	1	PTO HALF SHAFT	1-3/4" X 1-11/16", 20 SPL
2	700736939	1	PTO HALF SHAFT	1-11/16" DIA SPLINE
3	700736747	1	GUARD	
4	700708583	1	DANGER DECAL, SHIELD MISSING	
5	700736938	1	YOKE [A]	TUBE&SLIP SLEEVE
6	Z77016	3	GREASE FITTING	1/4"-28
7	700729055	2	CHAIN KIT	
8	700724136	2	CROSS AND BEARING KIT	39MM DIA CAP, 109MM OL
	Z77016	1	GREASE FITTING	1/4"-28
9	700736743	1	YOKE	
	7711799	1	CYLINDRICAL BEARING	
	700706956	1	BUSHING	35MM X 41MM X 32MM, BRONZE
	7052798	1	RETAINING RING	52.17MM
	Z77107	1	GREASE FITTING	1/8"-27, 65D
10	700723268	1	GUARD BUSHING KIT	NYLON
11	700736745	1	YOKE	1-11/16", 20 SPLINE
12	700736746	1	GUARD [A]	
13	700707960	1	DANGER DECAL, ROTATING DRIVELINE	
14	700728658	1	WARNING DECAL, CE	
15	700736740	1	YOKE	1-3/4", 20 SPLINE

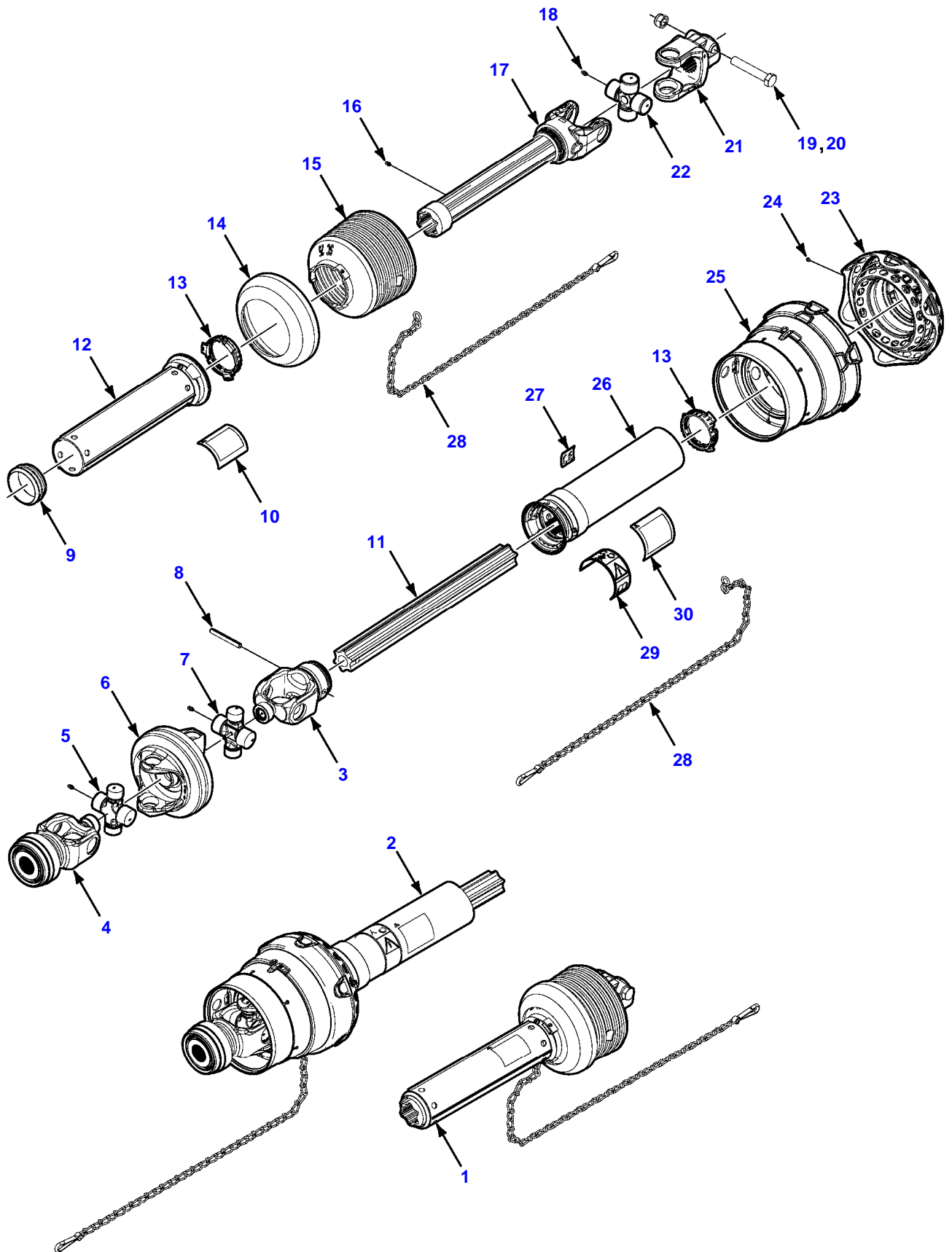
**[A] THE APPROPRIATE SAFETY DECALS MUST BE ORDERED AND FITTED TO THIS PART**

1290N / 1290S LARGE RECTANGULAR BALER (EHB04101 - GHB04100)  
PRIMARY DRIVE SHAFT - CE



Item	Part Number	Qty	Description Comments	Technical Specification
<b>1-3/8 INCH X 21 SPLINE</b>				
1	700737113	1	PTO HALF SHAFT	1-3/4", 20 SPLINE
2	700735106	1	PTO HALF SHAFT	
3	700735112	1	YOKE	
4	700735109	1	YOKE	1-3/8", 21 SPLINE
	700735126	1	REPAIR KIT	LOCK
5	700735113	1	CROSS AND BEARING KIT	32 & 36MM DIA CAP, 112MM OL
6	700735110	1	DOUBLE YOKE	
7	700735111	1	CROSS AND BEARING KIT	32 & 36MM DIA CAP, 112MM OL
8	763847	1	SPRING PIN	10 X 75 MM
9	700735123	1	BEARING BRACKET	
10	700747136	1	DANGER DECAL, SHIELD MISSING	127MM X 87MM
11	700735114	1	INNER PROFILE SHAFT	
12	700737117	1	INNER GUARD [A]	
13	8800633	2	BEARING RING	SC25
14	700735124	1	REINFORCING COLLAR	
15	700735122	1	CONE GUARD	7 RIB
16	700713262	1	GREASE FITTING	1/4"-28 X 9/16"
17	700737115	1	YOKE TUBE	IB (S5G)
18	700735125	3	GREASE FITTING	M6 X 1
19	339182X1	1	HEX CAP SCREW	M16 X 2 X 90, CL8.8
20	1442739X1	1	HEX LOCKNUT	M16 X 2, CL8
21	700737116	1	YOKE	1-3/4"-20 SPLINE
22	700735116	1	CROSS AND BEARING KIT	36MM DIA CAP, 89MM OL
23	700735121	1	GUARD CONE AND FLEX NET	
24	700714614	10	MACHINE SCREW	
25	700735120	1	DRIVE SHAFT SAFETY GUARD	
26	700735117	1	GUARD TUBE AND CAP [A]	
27	700735129	1	DECAL, CE	
28	71382485	2	SAFETY CHAIN	
29	700746100	1	WARNING DECAL	
30	700747135	1	DANGER DECAL, ROTATING DRIVELINE	134MM X 95MM
<b>[A] THE APPROPRIATE SAFETY DECALS MUST BE ORDERED AND FITTED TO THIS PART</b>				

1290N / 1290S LARGE RECTANGULAR BALER (EHB04101 - GHB04100)  
PRIMARY DRIVE SHAFT - CE



Item	Part Number	Qty	Description Comments	Technical Specification
<b>1-3/4 INCH X 20 SPLINE</b>				
1	700737113	1	PTO HALF SHAFT	1-3/4", 20 SPLINE
2	700735108	1	PTO HALF SHAFT	1-3/4", 20 SPLINE
3	700735112	1	YOKE	
4	700735127	1	YOKE	1-3/4", 20 SPLINE
	700735128	1	REPAIR KIT	LOCK
5	700735113	1	CROSS AND BEARING KIT	32 & 36MM DIA CAP, 112MM OL
6	700735110	1	DOUBLE YOKE	
7	700735111	1	CROSS AND BEARING KIT	32 & 36MM DIA CAP, 112MM OL
8	763847	1	SPRING PIN	10 X 75 MM
9	700735123	1	BEARING BRACKET	
10	700747136	1	DANGER DECAL, SHIELD MISSING	127MM X 87MM
11	700735114	1	INNER PROFILE SHAFT	
12	700737117	1	INNER GUARD [A]	
13	8800633	2	BEARING RING	SC25
14	700735124	1	REINFORCING COLLAR	
15	700735122	1	CONE GUARD	7 RIB
16	700713262	1	GREASE FITTING	1/4"-28 X 9/16"
17	700737115	1	YOKE TUBE	IB (S5G)
18	700735125	3	GREASE FITTING	M6 X 1
19	339182X1	1	HEX CAP SCREW	M16 X 2 X 90, CL8.8
20	1442739X1	1	HEX LOCKNUT	M16 X 2, CL8
21	700737116	1	YOKE	1-3/4"-20 SPLINE
22	700735116	1	CROSS AND BEARING KIT	36MM DIA CAP, 89MM OL
23	700735121	1	GUARD CONE AND FLEX NET	
24	700714614	10	MACHINE SCREW	
25	700735120	1	DRIVE SHAFT SAFETY GUARD	
26	700735117	1	GUARD TUBE AND CAP [A]	
27	700735129	1	DECAL, CE	
28	71382485	2	SAFETY CHAIN	
29	700746100	1	WARNING DECAL	
30	700747135	1	DANGER DECAL, ROTATING DRIVELINE	134MM X 95MM
<b>[A] THE APPROPRIATE SAFETY DECALS MUST BE ORDERED AND FITTED TO THIS PART</b>				

Thank you so much for reading.  
Please click the “Buy Now!”  
button below to download the  
complete manual.



After you pay.

You can download the most  
perfect and complete manual in  
the world immediately.

Our support email:

[ebooklibonline@outlook.com](mailto:ebooklibonline@outlook.com)