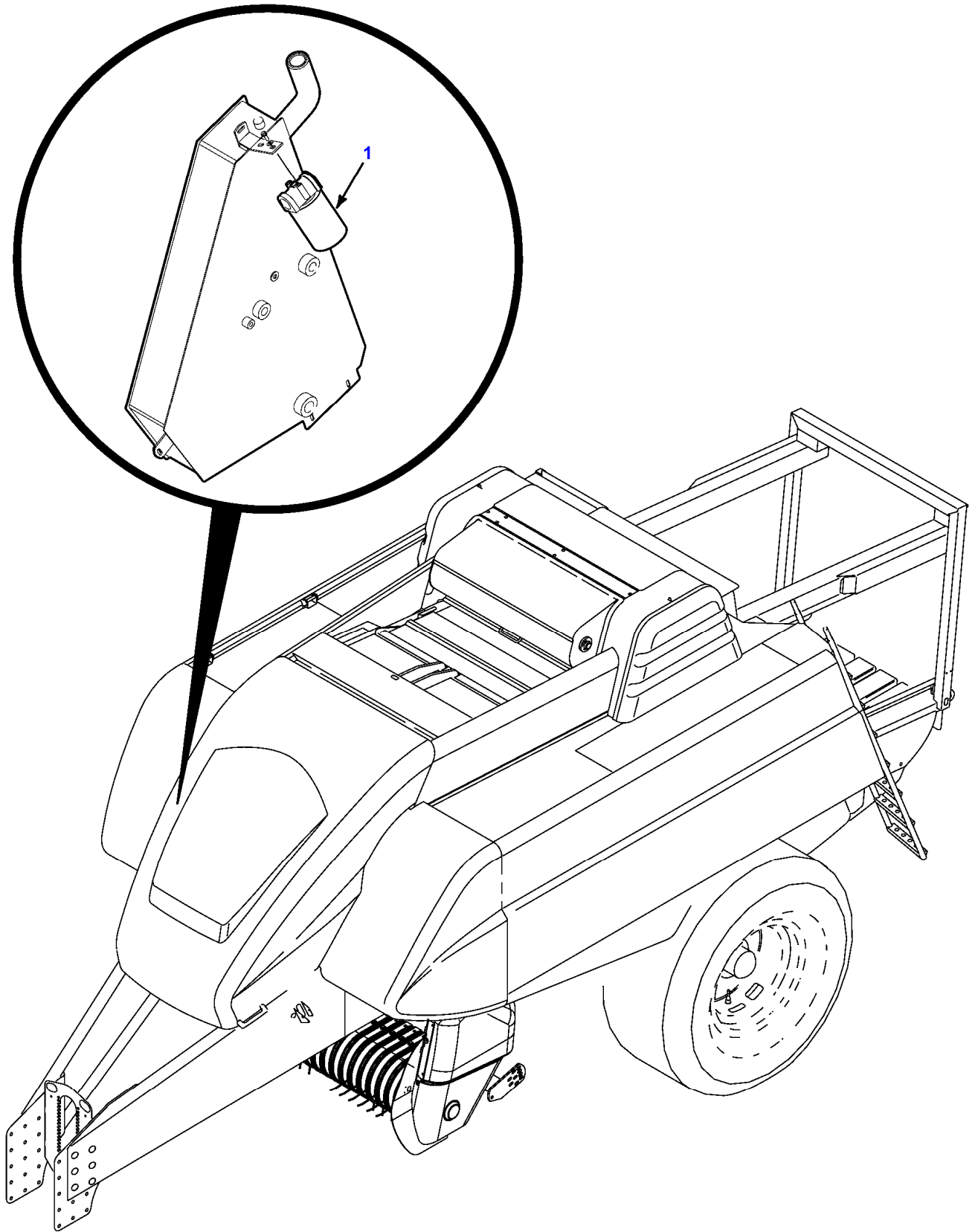


Page Number	Page Title	Page Reference
01-000-TOC	DRIVE SYSTEM	01-000-TOC
02-000-TOC	HYDRAULIC SYSTEM	02-000-TOC
03-000-TOC	ELECTRICAL SYSTEM	03-000-TOC
04-000-TOC	BALE FEEDING SYSTEM	04-000-TOC
05-000-TOC	BALE FORMING SYSTEM	05-000-TOC
06-000-TOC	BALE KNOTTING SYSTEM	06-000-TOC
07-000-TOC	BALE EJECTING SYSTEM	07-000-TOC
08-000-TOC	CHASSIS	08-000-TOC
09-000-TOC	DECALS	09-000-TOC
10-000-TOC	AXLES, SPINDLES, AND WHEELS	10-000-TOC
11-000-TOC	BRAKE SYSTEM	11-000-TOC
12-000-TOC	ACCESSORIES	12-000-TOC

DRIVE SYSTEM

Page Number	Page Title	Page Reference
01-0001	FILTER	331642
01-0002	MAIN DRIVE	331643
01-0003	MAIN DRIVE S/N EHB03169 AND LATER	1629293
01-0004	CLUTCH - FLYWHEEL	331644
01-0005	DRIVE SHAFT	331645
01-0006	SECONDARY DRIVE SHAFT	331646
01-0007	PRIMARY DRIVE SHAFT - CE 1-3/8 INCH X 21 SPLINE	331647
01-0008	PRIMARY DRIVE SHAFT - CE 1-3/4 INCH X 20 SPLINE	331648
01-0009	BRAKE - FLYWHEEL	331649
01-0010	MOUNTING - FLYWHEEL	331650
01-0011	MOUNTING - GEARBOX	331651
01-0012	GEARBOX ASSEMBLY	331652
01-0013	AUXILIARY DRIVE - LEFT HAND	331653
01-0014	AUXILIARY DRIVE - RIGHT HAND PACKER OR CUTTER	331654
01-0015	SHAFT AND SPROCKET - AUXILIARY	331655
01-0016	SLIP CLUTCH - AUXILIARY PACKER OR CUTTER	331656
01-0017	TENSIONER PACKER CUTTER	331657
01-0018	SLIP CLUTCH - AUXILIARY PACKER CUTTER	331658
01-0019	DRIVE - CUTTER	331659
01-0020	GEARBOX ASSEMBLY - CUTTER	331660
01-0021	SLIP CLUTCH - CUTTER	331661
01-0022	CHAIN LUBE PACKER OR PACKER CUTTER	1499889
01-0023	CHAIN LUBE CUTTER ONLY	1499890

990N / 990S / 990R LARGE RECTANGULAR BALERS (EHB03101 - 9999)
FILTER



Fendt

990N / 990S / 990R LARGE RECTANGULAR BALERS (EHB03101 - 9999)

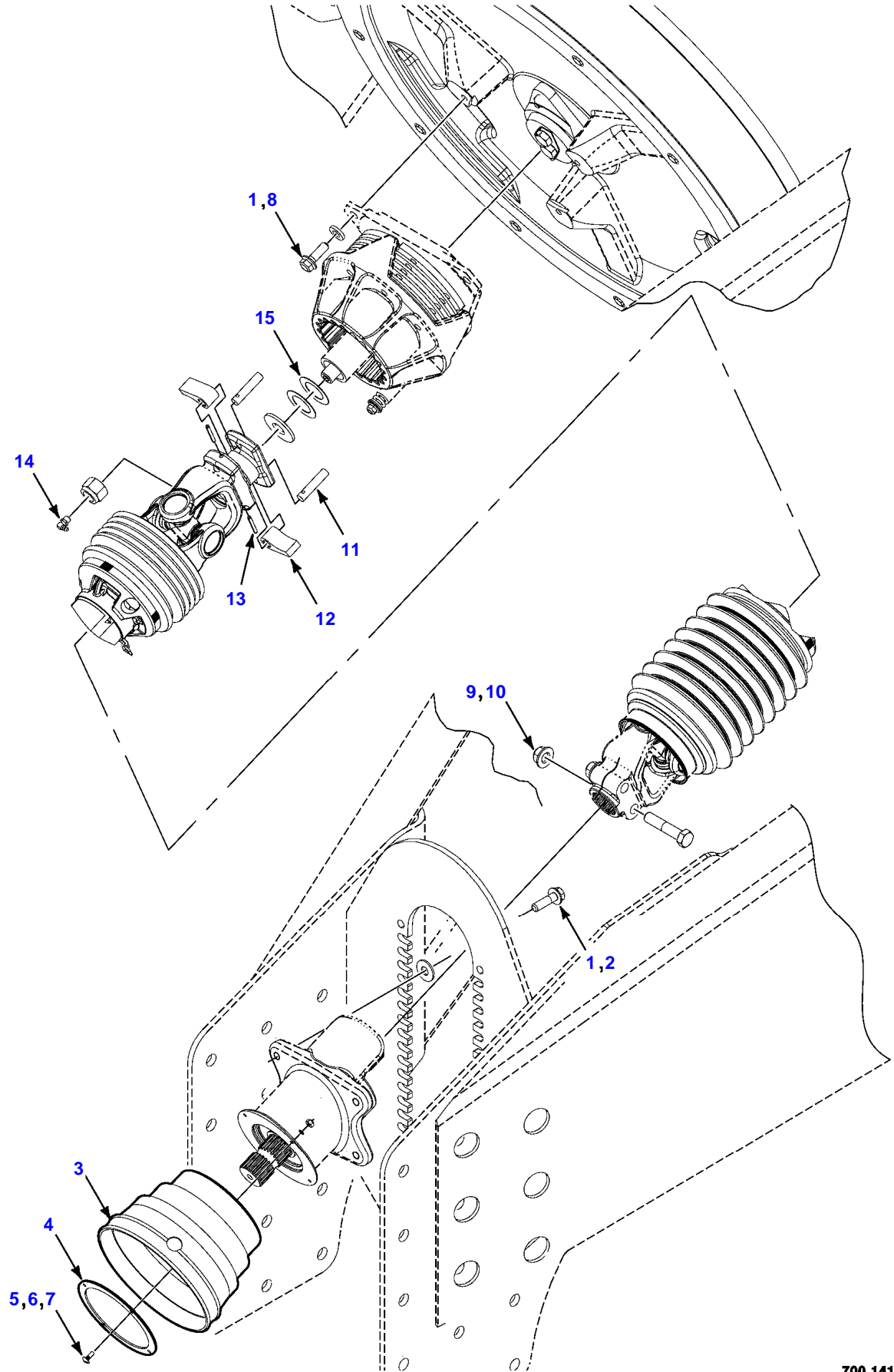
79035998

FILTER

Page01-0001

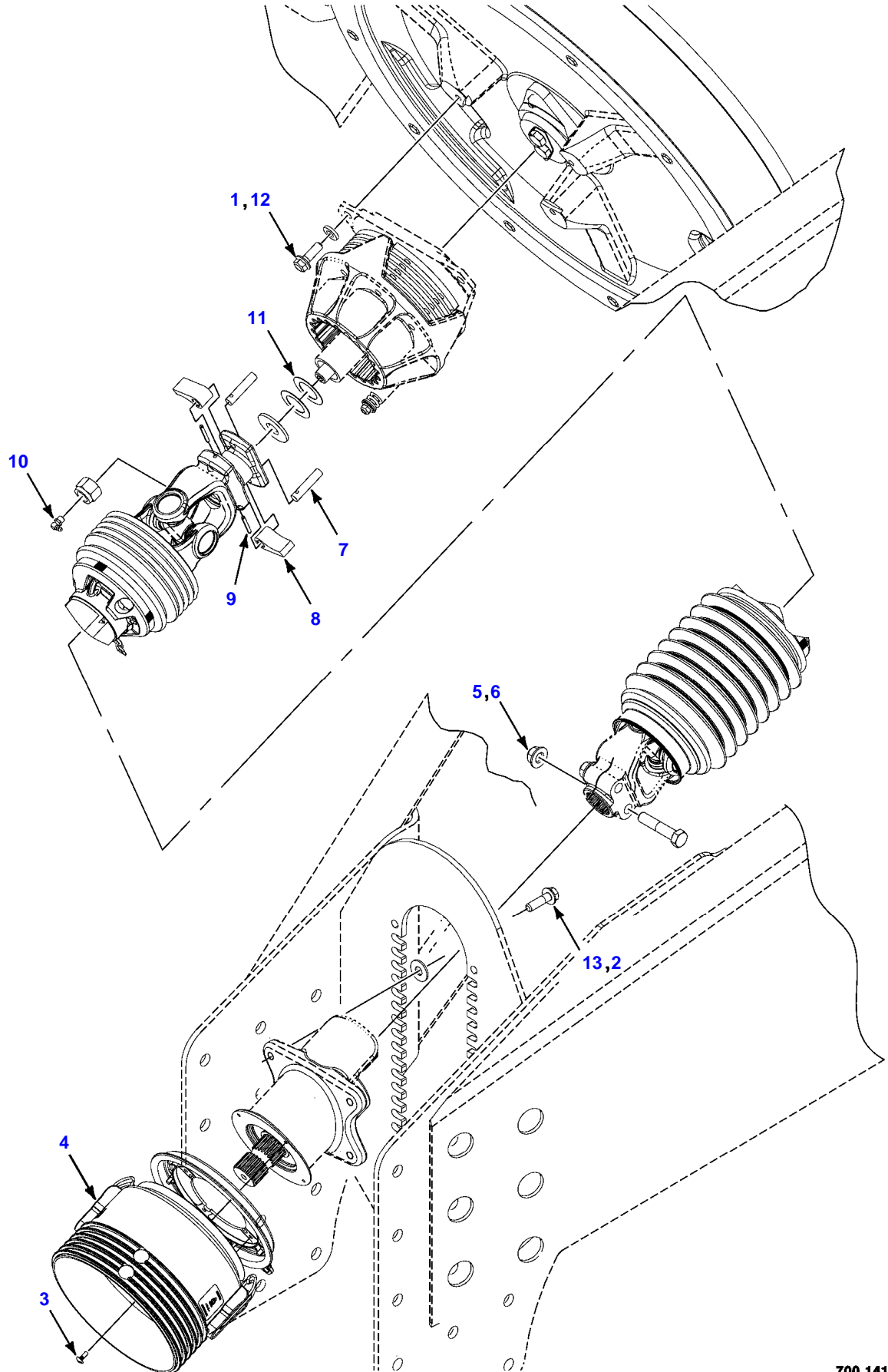
Item	Part Number	Qty	Description Comments
1	700738685	1	FILTER
	700738686	1	FILTER ELEMENT

990N / 990S / 990R LARGE RECTANGULAR BALERS (EHB03101 - 9999)
MAIN DRIVE



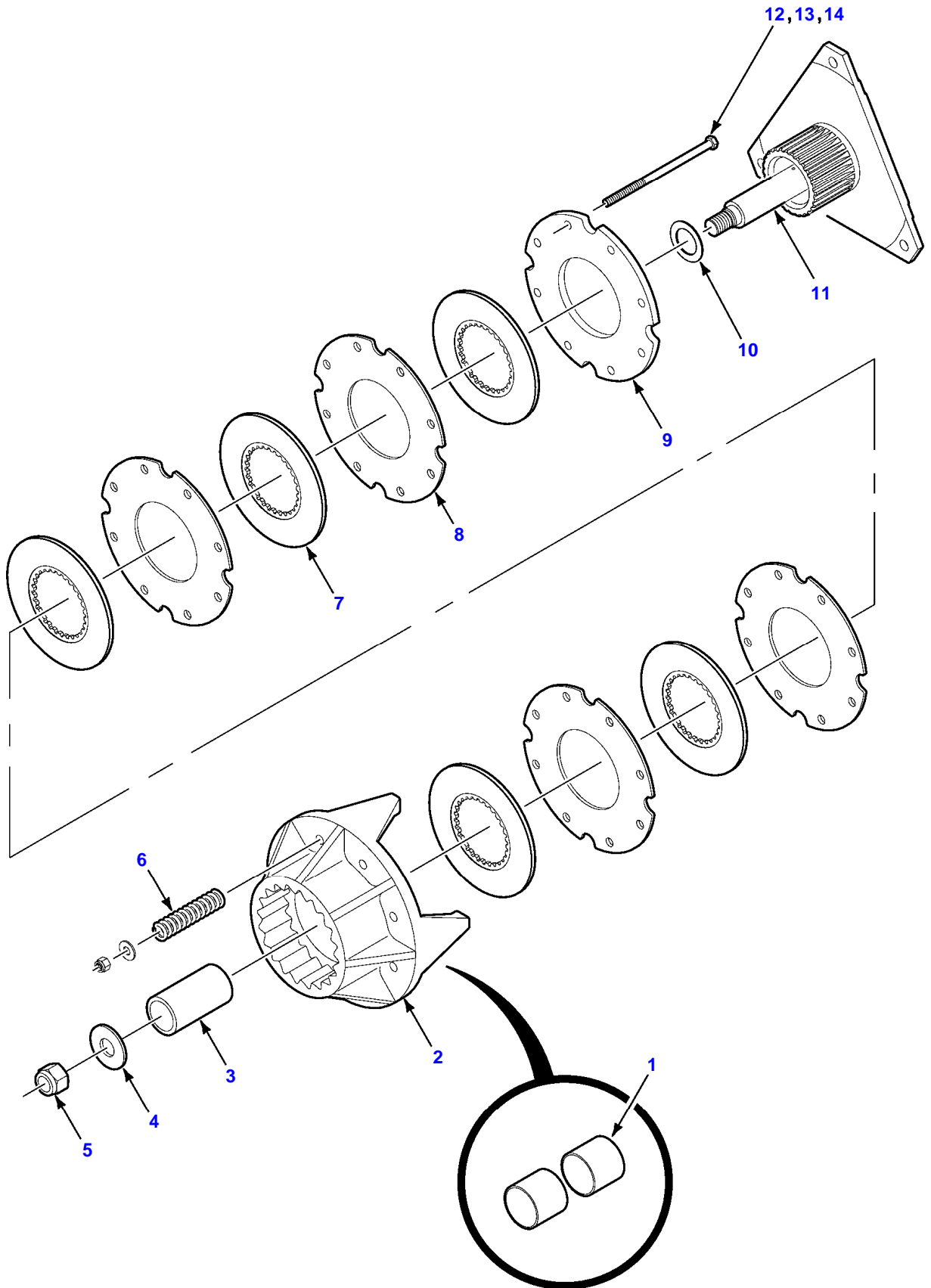
Item	Part Number	Qty	Description Comments	Technical Specification
1	8701237	7	HEX FLANGE HEAD BOLT	1/2"-13 X 1-1/2", GR8
2	700711557	4	FLAT WASHER	1/2"
3	700729081	1	CONE GUARD	
4	700143340	1	MOUNTING FLANGE	
5	700737790	4	PAN HEAD SCREW	#12-24 X 3/4, RIBBED NECK
6	7705692	4	LOCK WASHER	#12
7	700705521	4	SPECIAL LOCKNUT	#12-24
8	705541	3	FLAT WASHER	1/2"
9	700708270	2	HEX HEAD BOLT	5/8"-11 X 3", GR8
10	700711198	2	HEX FLANGE LOCKNUT	5/8"-11, GRG
11	700113037	2	PAWL PIN	
12	700113036	2	CLUTCH PAWL	
13	Z63396	2	SPLIT PIN	3/16" X 1-1/2"
14	Z77115	1	GREASE FITTING	1/8"-27, 90D
15	6522932	2	CLUTCH SHIM	1-13/32" ID X 2-1/4" OD

990N / 990S / 990R LARGE RECTANGULAR BALERS (EHB03101 - 9999)
MAIN DRIVE



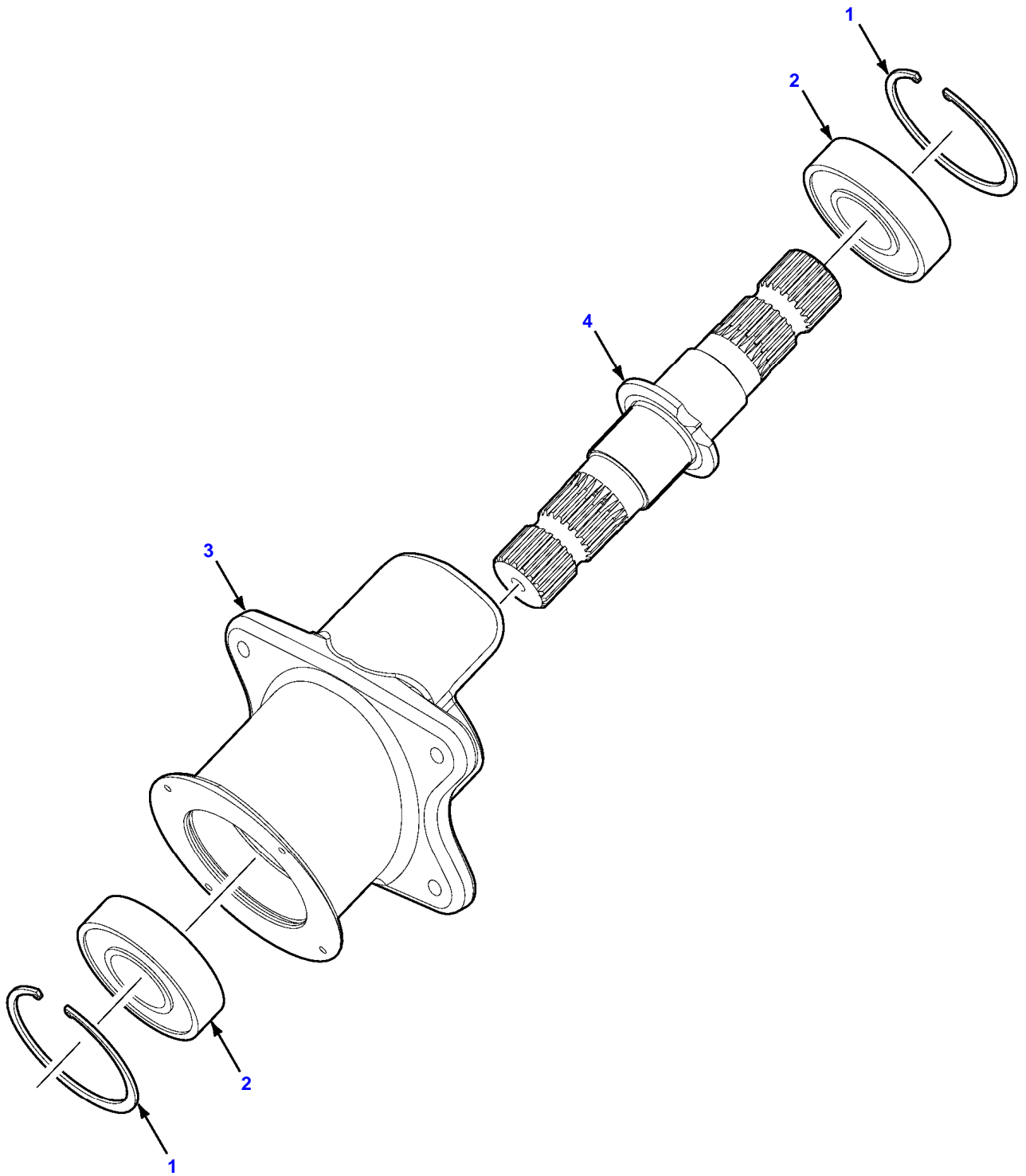
Item	Part Number	Qty	Description Comments	Technical Specification
			S/N EHB03169 AND LATER	
1	8701237	3	HEX FLANGE HEAD BOLT	1/2"-13 X 1-1/2", GR8
2	700711557	4	FLAT WASHER	1/2"
3	3012141X1	4	HEX FLANGE HEAD BOLT	M6 X 1.0 X 16MM, CL8.8
4	700744199	1	CONE SHIELD	
5	700708270	2	HEX HEAD BOLT	5/8"-11 X 3", GR8
6	700711198	2	HEX FLANGE LOCKNUT	5/8"-11, GRG
7	700113037	2	PAWL PIN	
8	700113036	2	CLUTCH PAWL	
9	Z63396	2	SPLIT PIN	3/16" X 1-1/2"
10	Z77115	1	GREASE FITTING	1/8"-27, 90D
11	6522932	2	CLUTCH SHIM	1-13/32" ID X 2-1/4" OD
12	705541	3	FLAT WASHER	1/2"
13	3009222X1	4	HEX FLANGE HEAD BOLT	M12 X 1.75 X 40MM, CL10.9, ZN

990N / 990S / 990R LARGE RECTANGULAR BALERS (EHB03101 - 9999)
CLUTCH - FLYWHEEL



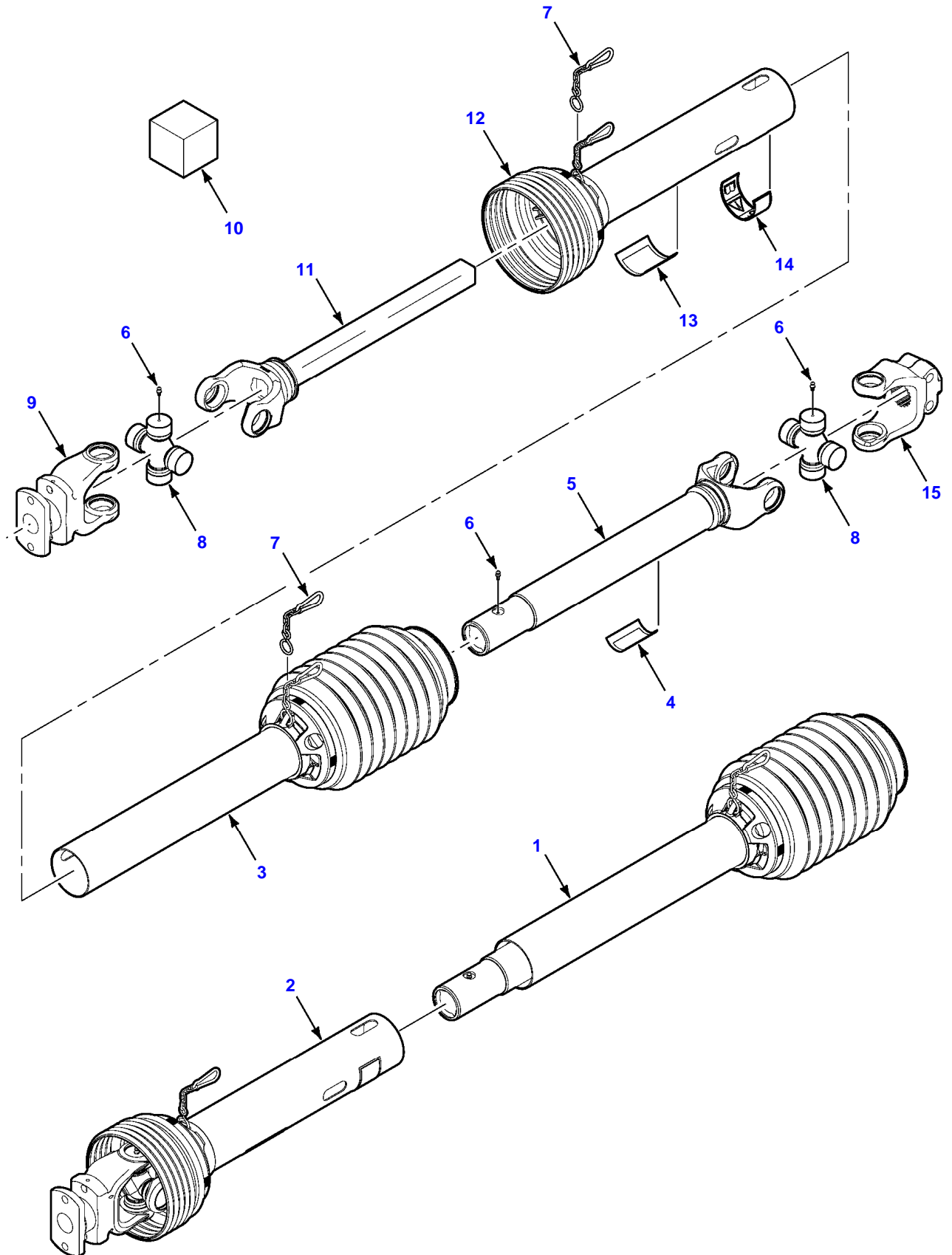
Item	Part Number	Qty	Description Comments	Technical Specification
1	7852114	2	BUSHING	1-1/2" ID X 1-3/8", BRONZE
2	700164637	1	CLUTCH HOUSING	
	7852114	2	BUSHING	1-1/2" ID X 1-3/8", BRONZE
3	6350805	1	HEADER PICKUP TUBE	2" OD X 3-3/4"
4	76521	1	FLAT WASHER	NON-PLATED, 7/8
5	700707250	1	HEX NUT	7/8"-14
6	858019	8	COMPRESSION SPRING	
7	700108820	5	FRICTION DISC	6-7/8" DIA
8	700112903	4	CLUTCH PLATE	
9	6522866	1	CLUTCH PLATE	
10	Z52274	1	MACHINERY BUSHING	1-3/8" X 14GA
11	700193077	1	CLUTCH PILOT	
12	700732562	8	HEX HEAD BOLT	3/8"-16 X 7-1/2", GR5
13	700709603	8	FLAT WASHER	3/8"
14	704734	8	HEX FLANGE LOCKNUT	3/8"-16

990N / 990S / 990R LARGE RECTANGULAR BALERS (EHB03101 - 9999)
DRIVE SHAFT



Item	Part Number	Qty	Description Comments	Technical Specification
1	8052326	2	RETAINING RING	101MM OD
2	700721594	2	BALL BEARING	45 X 100 X 25MM
3	700734696	1	SUPPORT	
4	700174791	1	DRIVE SHAFT	

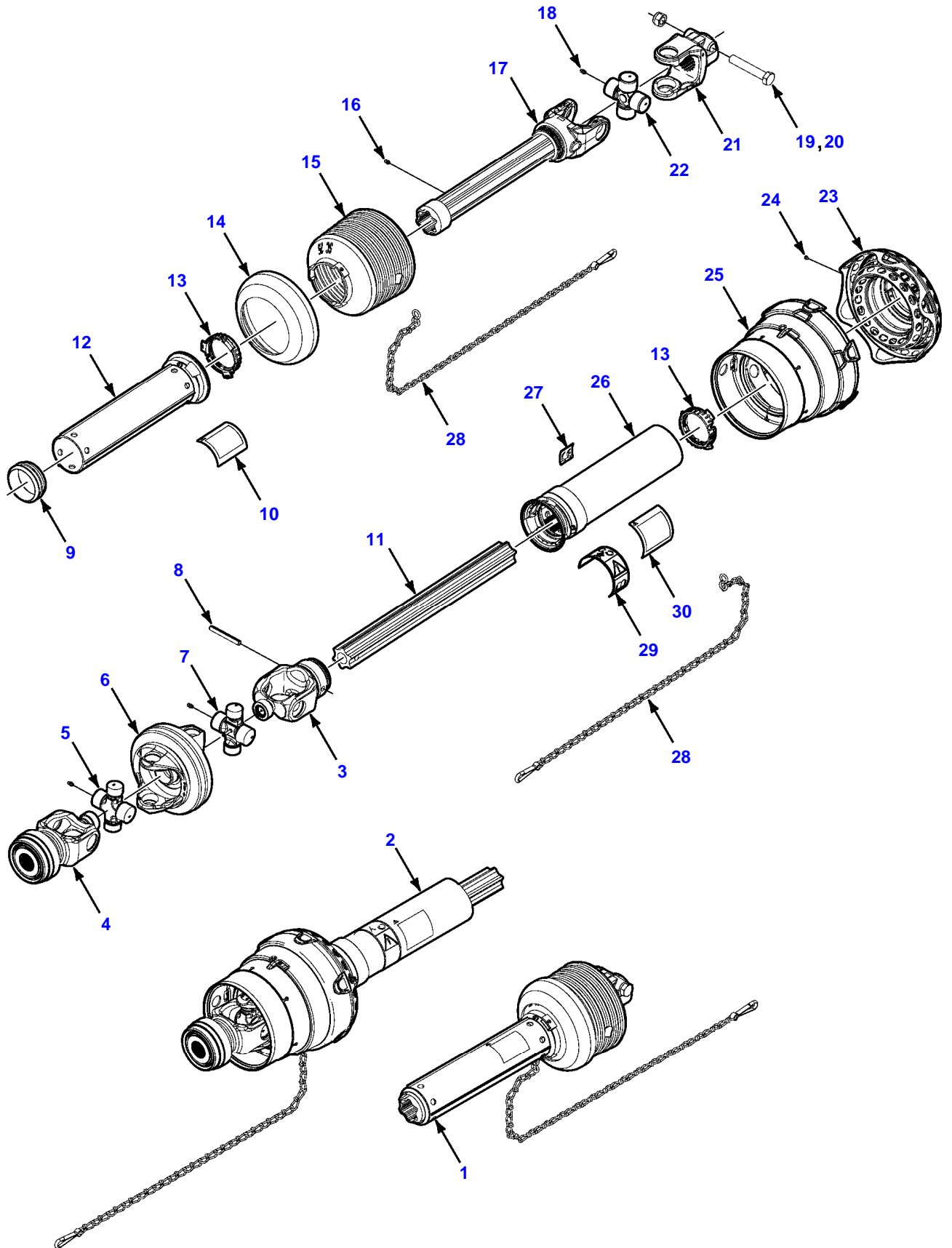
990N / 990S / 990R LARGE RECTANGULAR BALERS (EHB03101 - 9999)
SECONDARY DRIVE SHAFT



Item	Part Number	Qty	Description Comments	Technical Specification
1	700724125	1	PTO HALF SHAFT	
2	700724123	1	PTO HALF SHAFT	
3	700724141	1	DRIVE SHAFT SAFETY GUARD	
4	700747136	1	DANGER DECAL, SHIELD MISSING	127MM X 87MM
5	700724142	1	YOKE TUBE [A]	
6	Z77016	3	GREASE FITTING	1/4"-28
7	700720152	2	CHAIN KIT	
8	700724136	2	CROSS AND BEARING KIT	39MM DIA CAP, 109MM OL
	Z77016	1	GREASE FITTING	1/4"-28
9	700706955	1	YOKE	
	7711799	1	CYLINDRICAL BEARING	
	700706956	1	BUSHING	35MM X 41MM X 32MM, BRONZE
	7052798	1	RETAINING RING	52.17MM
	Z77107	1	GREASE FITTING	1/8"-27, 65D
10	700723268	2	GUARD BUSHING KIT	NYLON
11	700724137	1	YOKE SHAFT	
12	700724140	1	DRIVE SHAFT SAFETY GUARD [A]	
13	700747135	1	DANGER DECAL, ROTATING DRIVELINE	134MM X 95MM
14	700746100	1	WARNING DECAL	
15	700721794	1	YOKE	

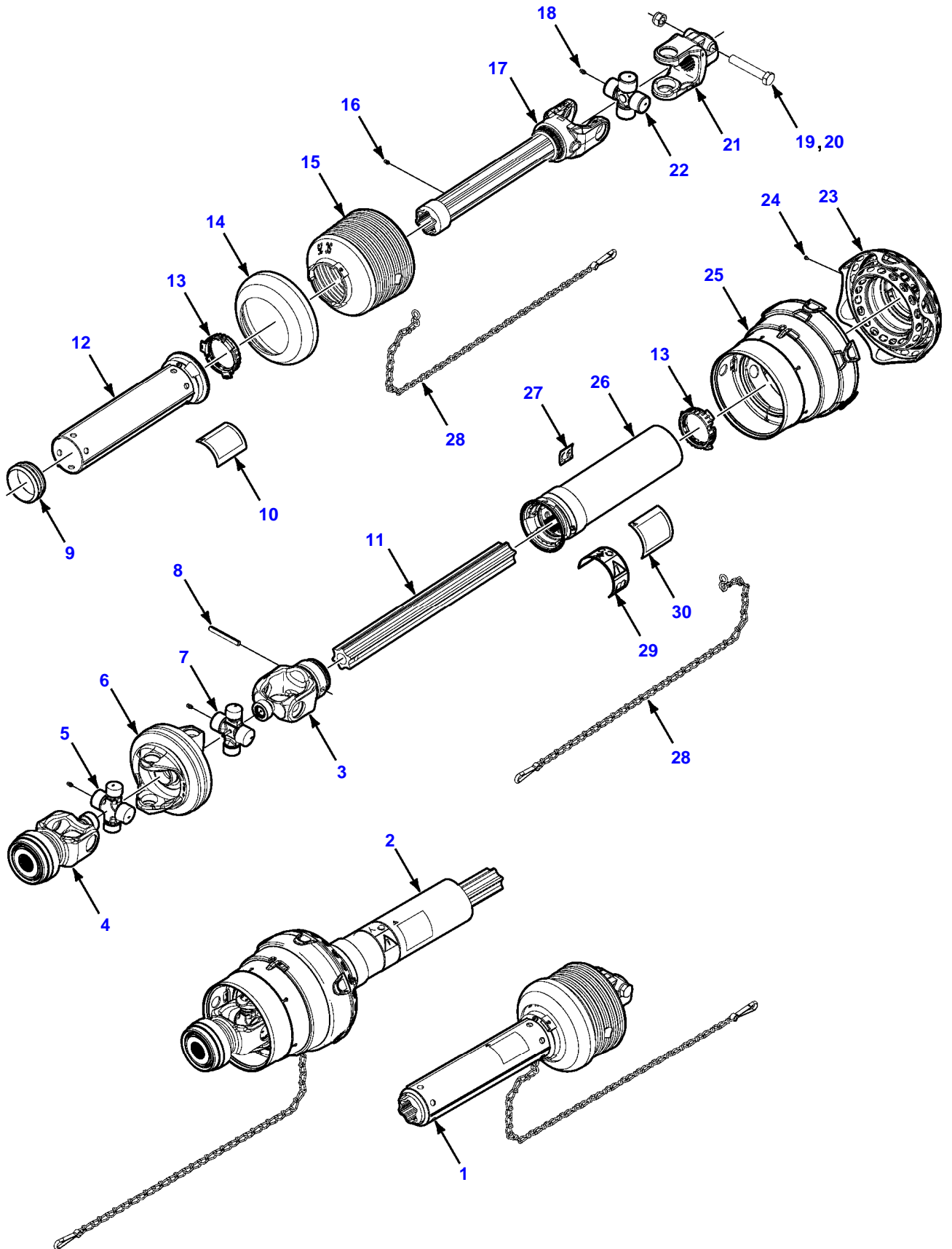
[A] THE APPROPRIATE SAFETY DECALS MUST BE ORDERED AND FITTED TO THIS PART

990N / 990S / 990R LARGE RECTANGULAR BALERS (EHB03101 - 9999)
PRIMARY DRIVE SHAFT - CE



Item	Part Number	Qty	Description Comments	Technical Specification
1-3/8 INCH X 21 SPLINE				
1	700737113	1	PTO HALF SHAFT	1-3/4", 20 SPLINE
2	700735106	1	PTO HALF SHAFT	
3	700735112	1	YOKE	
4	700735109	1	YOKE	1-3/8", 21 SPLINE
	700735126	1	REPAIR KIT	LOCK
5	700735113	1	CROSS AND BEARING KIT	32 & 36MM DIA CAP, 112MM OL
6	700735110	1	DOUBLE YOKE	
7	700735111	1	CROSS AND BEARING KIT	32 & 36MM DIA CAP, 112MM OL
8	763847	1	SPRING PIN	10 X 75 MM
9	700735123	1	BEARING BRACKET	
10	700747136	1	DANGER DECAL, SHIELD MISSING	127MM X 87MM
11	700735114	1	INNER PROFILE SHAFT	
12	700737117	1	INNER GUARD [A]	
13	8800633	2	BEARING RING	SC25
14	700735124	1	REINFORCING COLLAR	
15	700735122	1	CONE GUARD	7 RIB
16	700713262	1	GREASE FITTING	1/4"-28 X 9/16"
17	700737115	1	YOKE TUBE	IB (S5G)
18	700735125	3	GREASE FITTING	M6 X 1
19	339182X1	1	HEX CAP SCREW	M16 X 2 X 90, CL8.8
20	1442739X1	1	HEX LOCKNUT	M16 X 2, CL8
21	700737116	1	YOKE	1-3/4"-20 SPLINE
22	700735116	1	CROSS AND BEARING KIT	36MM DIA CAP, 89MM OL
23	700735121	1	GUARD CONE AND FLEX NET	
24	700714614	10	MACHINE SCREW	
25	700735120	1	DRIVE SHAFT SAFETY GUARD	
26	700735117	1	GUARD TUBE AND CAP [A]	
27	700735129	1	DECAL, CE	
28	71382485	2	SAFETY CHAIN	
29	700746100	1	WARNING DECAL	
30	700747135	1	DANGER DECAL, ROTATING DRIVELINE	134MM X 95MM
[A] THE APPROPRIATE SAFETY DECALS MUST BE ORDERED AND FITTED TO THIS PART				

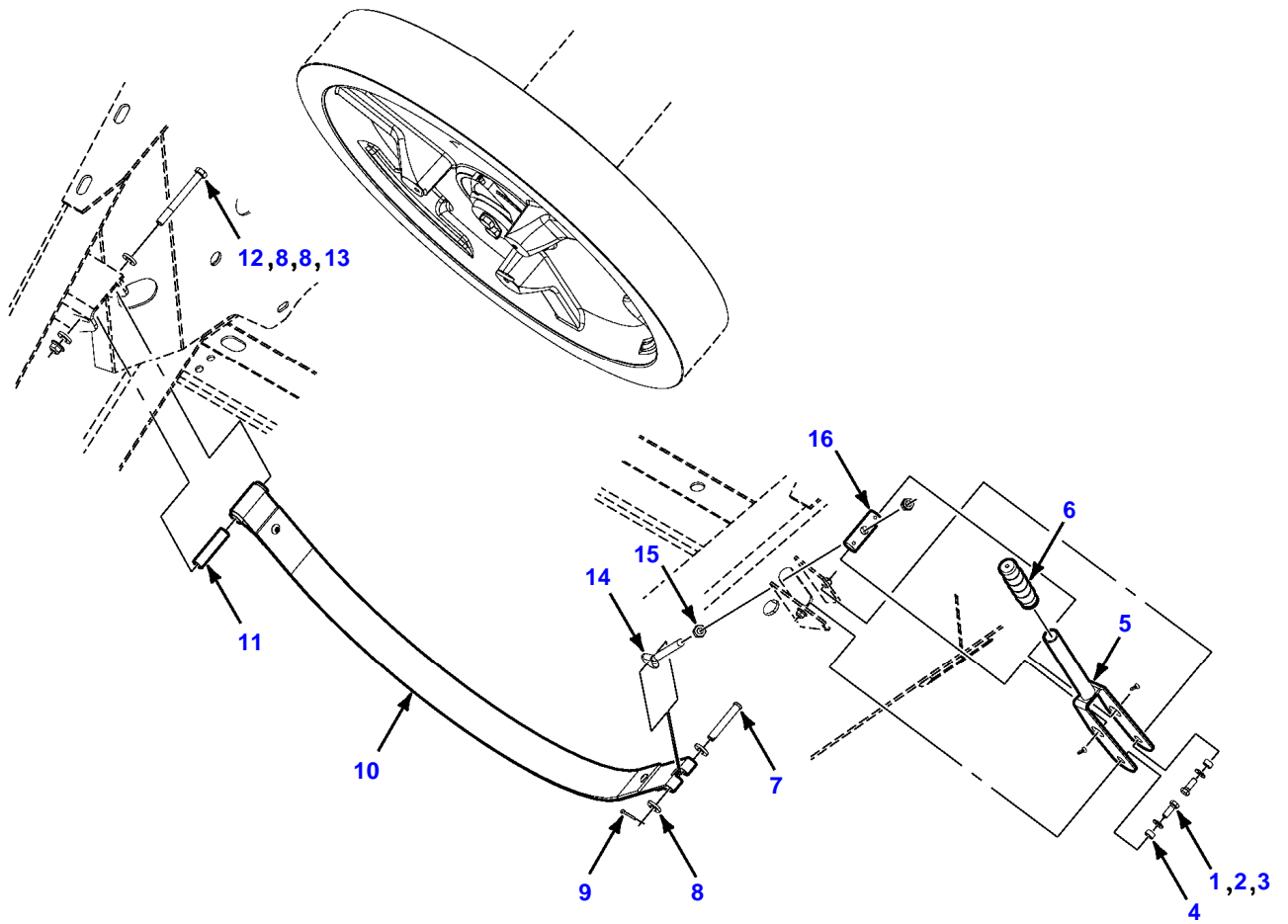
990N / 990S / 990R LARGE RECTANGULAR BALERS (EHB03101 - 9999)
PRIMARY DRIVE SHAFT - CE



Item	Part Number	Qty	Description Comments	Technical Specification
1-3/4 INCH X 20 SPLINE				
1	700737113	1	PTO HALF SHAFT	1-3/4", 20 SPLINE
2	700735108	1	PTO HALF SHAFT	1-3/4", 20 SPLINE
3	700735112	1	YOKE	
4	700735127	1	YOKE	1-3/4", 20 SPLINE
	700735128	1	REPAIR KIT	LOCK
5	700735113	1	CROSS AND BEARING KIT	32 & 36MM DIA CAP, 112MM OL
6	700735110	1	DOUBLE YOKE	
7	700735111	1	CROSS AND BEARING KIT	32 & 36MM DIA CAP, 112MM OL
8	763847	1	SPRING PIN	10 X 75 MM
9	700735123	1	BEARING BRACKET	
10	700747136	1	DANGER DECAL, SHIELD MISSING	127MM X 87MM
11	700735114	1	INNER PROFILE SHAFT	
12	700737117	1	INNER GUARD [A]	
13	8800633	2	BEARING RING	SC25
14	700735124	1	REINFORCING COLLAR	
15	700735122	1	CONE GUARD	7 RIB
16	700713262	1	GREASE FITTING	1/4"-28 X 9/16"
17	700737115	1	YOKE TUBE	IB (S5G)
18	700735125	3	GREASE FITTING	M6 X 1
19	339182X1	1	HEX CAP SCREW	M16 X 2 X 90, CL8.8
20	1442739X1	1	HEX LOCKNUT	M16 X 2, CL8
21	700737116	1	YOKE	1-3/4"-20 SPLINE
22	700735116	1	CROSS AND BEARING KIT	36MM DIA CAP, 89MM OL
23	700735121	1	GUARD CONE AND FLEX NET	
24	700714614	10	MACHINE SCREW	
25	700735120	1	DRIVE SHAFT SAFETY GUARD	
26	700735117	1	GUARD TUBE AND CAP [A]	
27	700735129	1	DECAL, CE	
28	71382485	2	SAFETY CHAIN	
29	700746100	1	WARNING DECAL	
30	700747135	1	DANGER DECAL, ROTATING DRIVELINE	134MM X 95MM

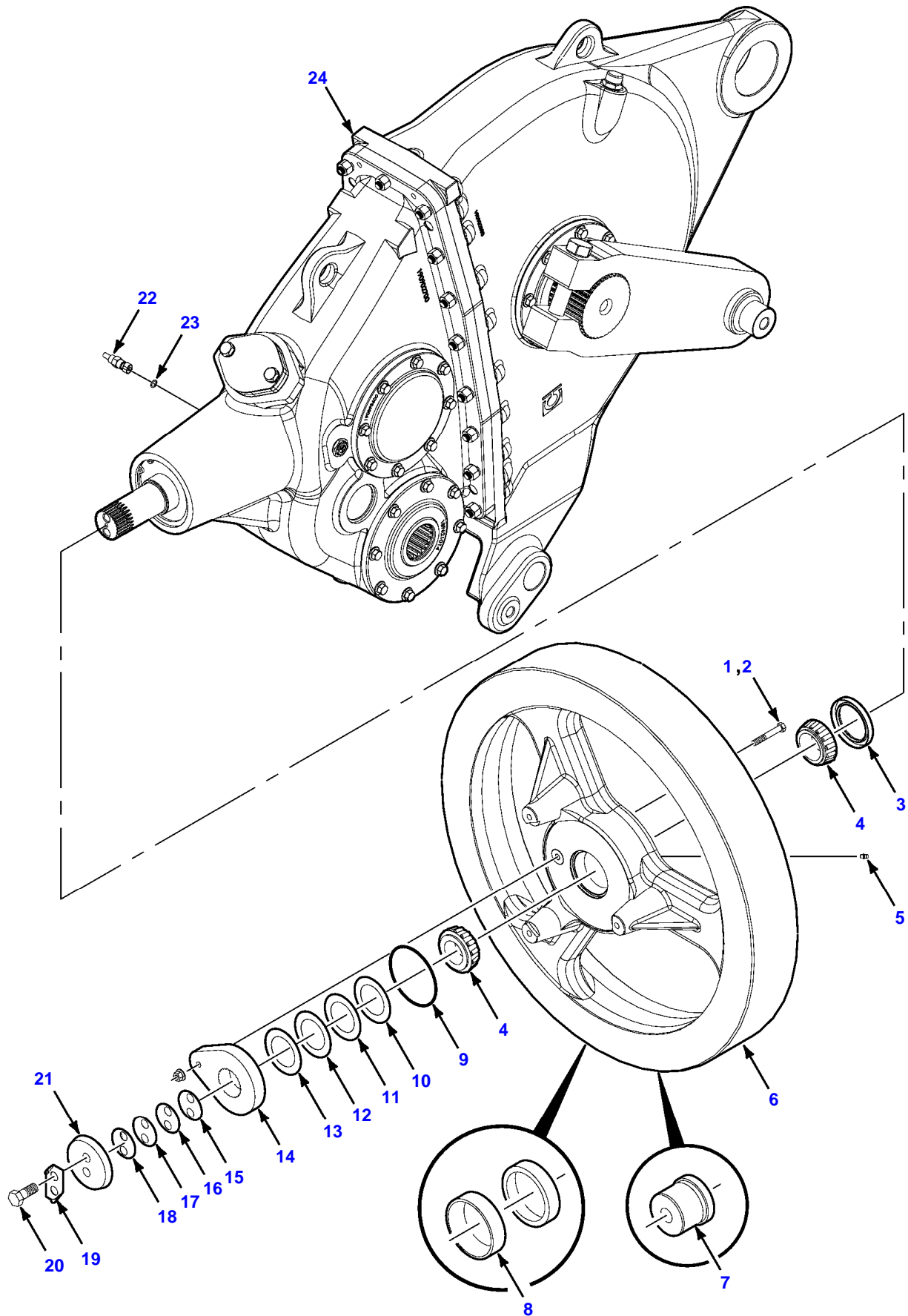
[A] THE APPROPRIATE SAFETY DECALS MUST BE ORDERED AND FITTED TO THIS PART

990N / 990S / 990R LARGE RECTANGULAR BALERS (EHB03101 - 9999)
BRAKE - FLYWHEEL



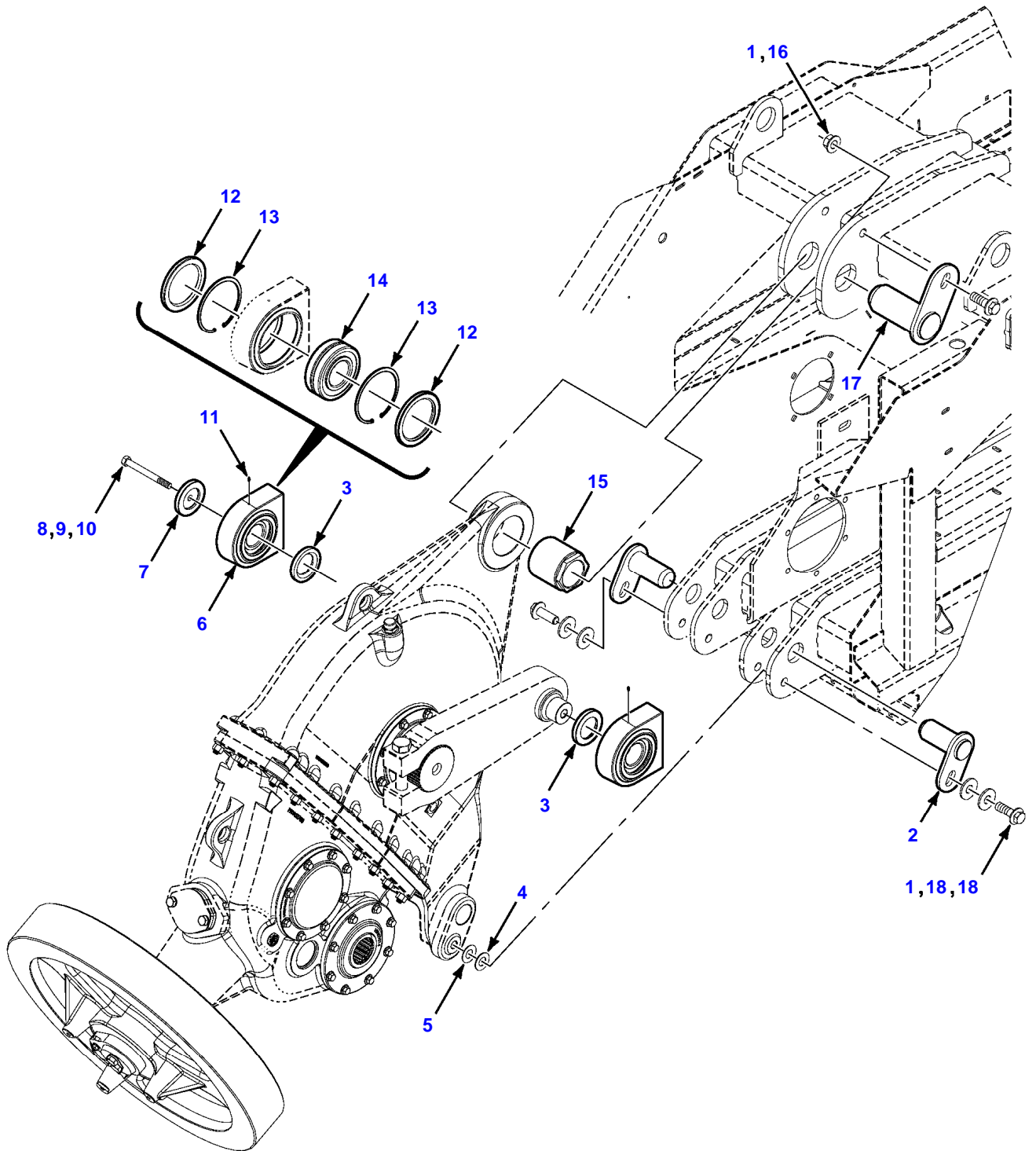
Item	Part Number	Qty	Description Comments	Technical Specification
1	703249	2	HEX HEAD BOLT	3/8"-16 X 1", GR5, FT
2	705533	2	FLAT WASHER	3/8"
3	704734	2	HEX FLANGE LOCKNUT	3/8"-16
4	6489231	2	SPACER	5/8" OD X 5/16"
5	700113054	1	HANDLE	
6	Z27342	1	HANDLE GRIP	
7	Z63883	1	CLEVIS PIN	1/2" X 3"
8	705541	4	FLAT WASHER	1/2"
9	Z62174	1	COTTER PIN	5/32" X 1"
10	700123832	1	BRAKE	
11	6524003	1	SPACER	19MM OD X 76M OL
12	703223	1	HEX HEAD BOLT	1/2"-13 X 4-1/2", GR5
13	704742	1	HEX FLANGE LOCKNUT	1/2"-13
14	766667	1	EYEBOLT	1/2"-13 X 10"
15	7704752	2	HEX NUT	1/2"-13
16	700113057	1	BRAKE PIN	1" DIA X 74MM OL

990N / 990S / 990R LARGE RECTANGULAR BALERS (EHB03101 - 9999)
MOUNTING - FLYWHEEL



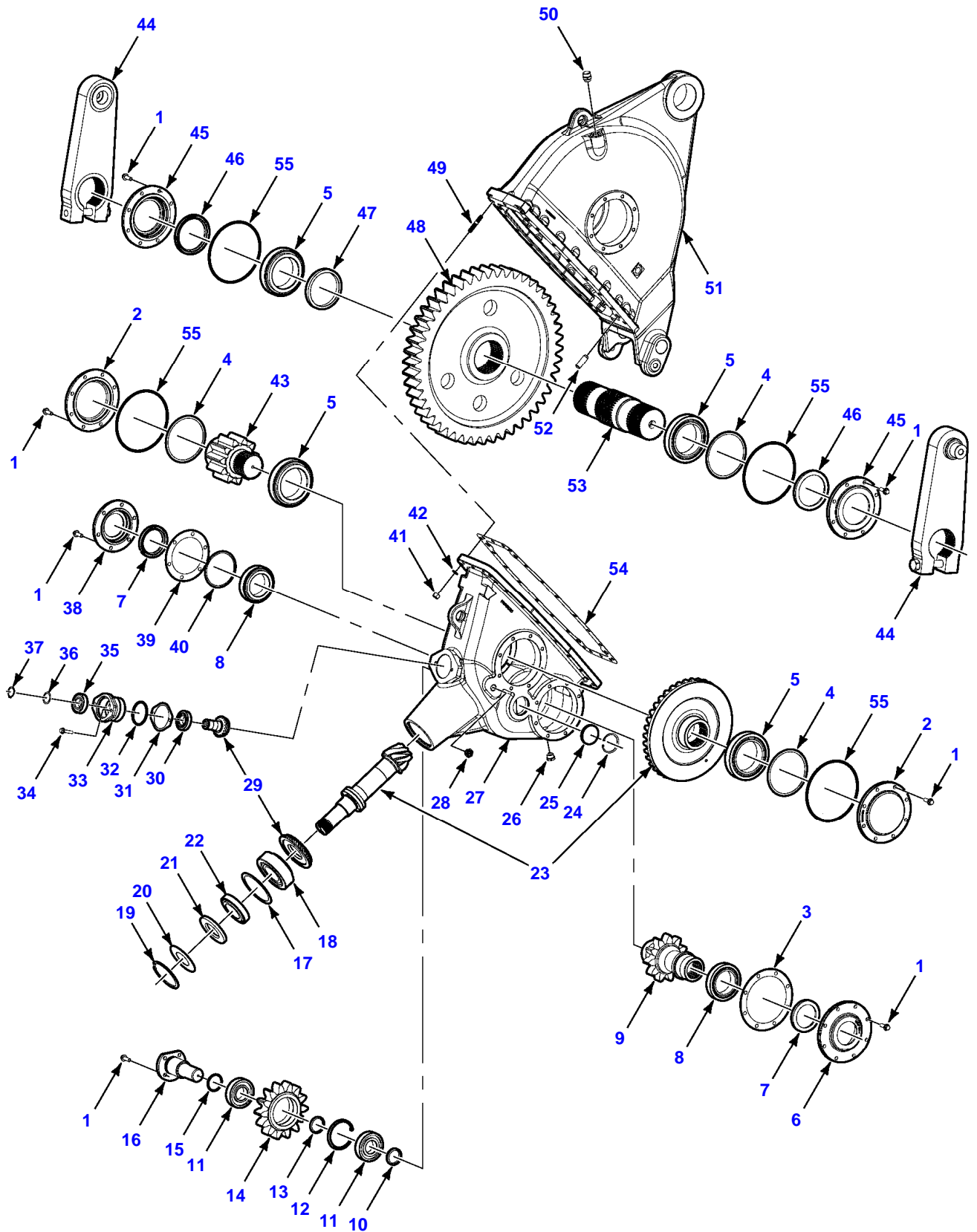
Item	Part Number	Qty	Description Comments	Technical Specification
1	7701899	1	HEX HEAD BOLT	3/8"-16 X 2-1/2", GR5
2	704734	1	HEX FLANGE LOCKNUT	3/8"-16
3	700710382	1	OIL SEAL	
4	714634	2	BEARING CONE	55MM ID X 23MM
5	Z77016	1	GREASE FITTING	1/4"-28
6	700123112	1	FLYWHEEL	
	714626	2	BEARING CUP	90MM OD
	6855555	1	SHEAR BUSHING	
7	6855555	1	SHEAR BUSHING	
8	714626	2	BEARING CUP	90MM OD
9	700706050	1	O-RING	4-1/4" ID
10	700710365	-	FLYWHEEL SHIM	0.08MM
11	700710366	-	FLYWHEEL SHIM	0.13MM
12	700710367	-	FLYWHEEL SHIM	0.25MM
13	700710369	-	FLYWHEEL SHIM	0.51MM
14	700143208	1	SHEAR HUB	
	700728938	1	PLUNGER SPRING	
15	700710394	-	FLYWHEEL HEX SHIM	0.08MM
16	700710395	-	FLYWHEEL HEX SHIM	0.13MM
17	700710396	-	FLYWHEEL HEX SHIM	0.25MM
18	700710397	-	FLYWHEEL HEX SHIM	0.51MM
19	700113045	1	LOCK TAB	
20	700708355	2	HEX HEAD BOLT	M16-2.0 X 40MM, CL10.9
21	700113044	1	RETAINER CAP	
22	71393718	1	TEMPERATURE SENSOR	1/2"-20, 2 PIN
23	7040330	1	O-RING	0.414" X .072"
24	700723442	1	GEARBOX	
			SEE PAGE 01-012	

990N / 990S / 990R LARGE RECTANGULAR BALERS (EHB03101 - 9999)
MOUNTING - GEARBOX



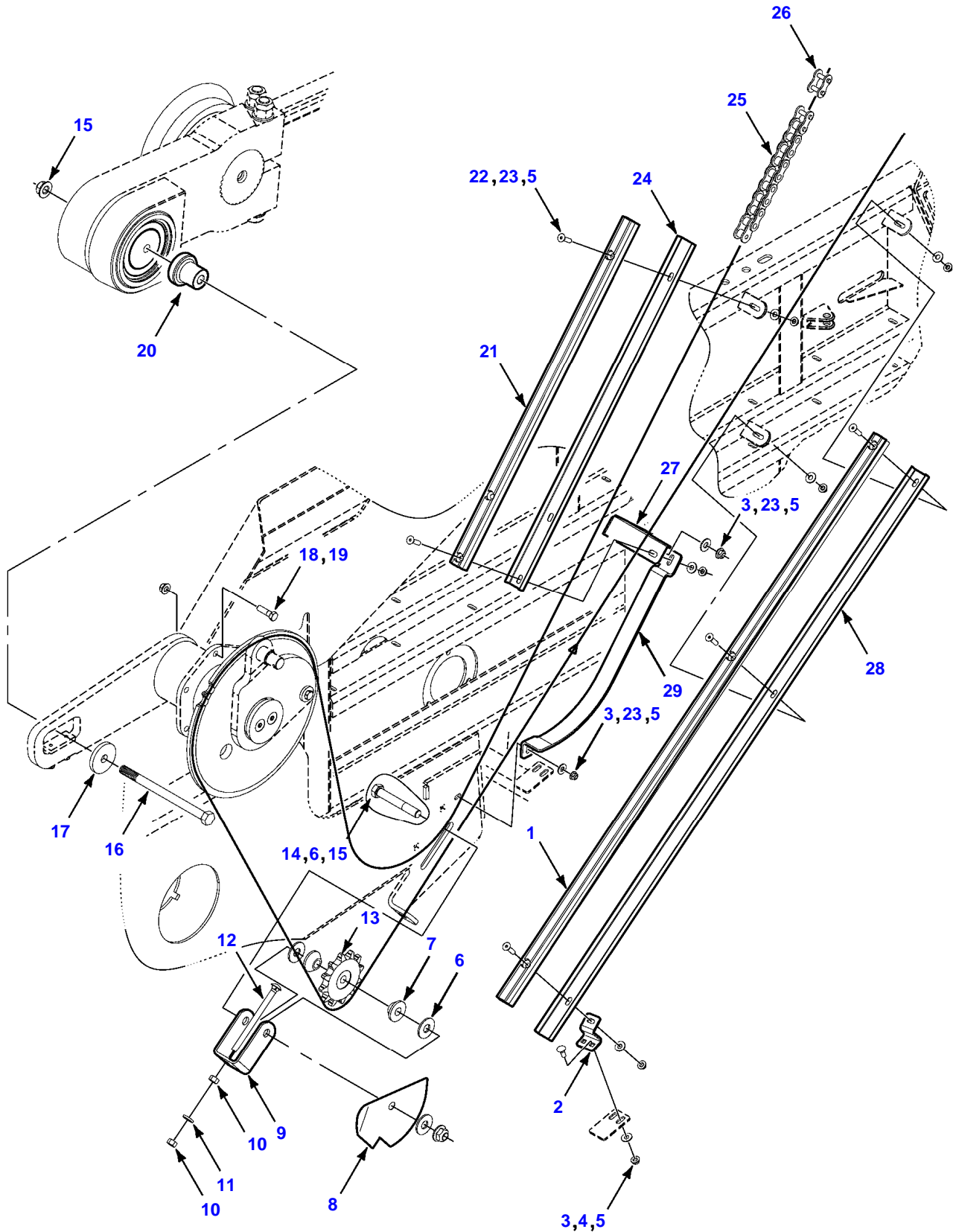
Item	Part Number	Qty	Description Comments	Technical Specification
1	3009256X1	3	HEX HEAD BOLT	M20 X 60MM, CL10.9, FT
2	700146842	2	GEARBOX PIN	
3	700123119	2	BEARING SPACER	
4	852608	-	MACHINERY BUSHING	7/8" X 1-3/4" X 14GA
5	700730827	2	MACHINERY BUSHING	7/8" X 1-3/4" X 18GA
6	700123120	2	CRANK ARM BEARING	
	8744054	2	DUST SEAL	
	8052326	2	RETAINING RING	101MM OD
	8051005	1	SPHERICAL BEARING	55MM X 100MM
7	700123122	1	FLAT WASHER	
8	703660	1	HEX HEAD BOLT	3/4"-10 X 5", GR5
9	705566	1	FLAT WASHER	3/4"
10	700710072	1	HEX LOCKNUT	3/4"-10, GRC
11	Z77016	2	GREASE FITTING	1/4"-28
12	8744054	2	DUST SEAL	
13	8052326	2	RETAINING RING	101MM OD
14	8051005	1	SPHERICAL BEARING	55MM X 100MM
15	700141086	1	ECCENTRIC BUSHING	
16	3019128X1	1	HEX FLANGE NUT	M20 X 2.5 X 20MM, CL10
17	700146152	1	GEARBOX PIN	
18	700711166	4	FLAT WASHER	3/4"

990N / 990S / 990R LARGE RECTANGULAR BALERS (EHB03101 - 9999)
GEARBOX ASSEMBLY



Item	Part Number	Qty	Description Comments	Technical Specification
	700723442	1	GEARBOX	
1	3009221X1	50	HEX FLANGE HEAD BOLT	M12 X 1.75 X 35MM, CL10.9, ZN
2	700734708	2	END CAP	
3	700730873	1	ENDCAP SEAL	
4	700730891	3	SHIM KIT	
5	700730934	4	BEARING SET	
6	700730930	1	END CAP	
7	700730909	2	OIL SEAL	90 X 120 X 13MM
8	700730900	2	BEARING SET	90MM ID X 140MM OD
9	700730923	1	SECONDARY OUTPUT SHAFT	
10	700730877	1	BEARING SPACER	50 X 62 X 8MM
11	700730898	2	CYLINDRICAL BEARING	50 X 110 X 27MM
12	700730886	1	RETAINING RING	114MM OD
13	700730876	1	BEARING SPACER	50 X 62 X 4MM
14	700730867	1	IDLER SHAFT GEAR	
15	700730910	1	O-RING	2.313" ID X .139"
16	700730870	1	END CAP	
17	700730943	1	SHIM KIT	
18	700730936	1	BEARING SET	
19	700730932	1	RETAINING RING	129MM
20	700730926	1	SEALING PLATE	
21	700730939	1	OIL SEAL	
22	700730935	1	BEARING SET	
23	700730940	1	BEVEL GEAR, PINION SHAFT MATCHED SET	
24	700730884	1	RETAINING RING	75MM
25	700730913	1	CAP	
26	700730914	1	MAGNETIC OIL PLUG	M24-2
27	700730921	1	GEARBOX HOUSING	
28	700730915	1	OIL PLUG	
29	700730941	1	GEAR SET	
30	700730902	1	BEARING SET	35MM ID X 72MM OD
31	700730889	1	SEAL KIT	
32	700730912	1	O-RING	3.109" ID X .139"
33	700730863	1	HYDRAULIC PUMP SUPPORT	
34	3009210X1	2	HEX FLANGE HEAD BOLT	M10 X 1.5 X 45MM, CL10.9, ZN
35	700730897	1	SPHERICAL BEARING	30 X 72 X 17MM
36	700730888	1	SHIM KIT	
37	700730883	1	RETAINING RING	33MM ID
38	700730860	1	END CAP	
39	700730872	1	OUTPUT SHAFT END COVER GASKET	
40	700730890	1	SHIM KIT	
41	3008628X1	18	HEX NUT	M14, CL12
42	339704X1	18	WASHER	
43	700730922	1	INTERMEDIATE SHAFT	
44	700730942	2	CRANK ARM ASSEMBLY	
	71430784	1	HEX HEAD BOLT	M27 X 170MM X 2, CL12.9
	71430785	1	FLAT WASHER	S27
45	700734706	2	CAP	
46	700730938	2	OIL SEAL	
47	700730927	1	SPACER, RIGHT HAND	
48	700730924	1	PRIMARY OUTPUT GEAR	
49	700730931	18	GEARBOX HOUSING STUD	
50	700730916	1	VENT PLUG	M24-2
51	700730920	1	GEARBOX HOUSING	
52	700730896	4	SPLIT PIN	20MM X 60MM
53	700730925	1	PRIMARY OUTPUT SHAFT	
54	700730933	1	SEAL KIT	
55	3007086X1	4	O-RING	197MM ID X 3MM

990N / 990S / 990R LARGE RECTANGULAR BALERS (EHB03101 - 9999)
AUXILIARY DRIVE - LEFT HAND



Thank you so much for reading.
Please click the “Buy Now!”
button below to download the
complete manual.



After you pay.

You can download the most
perfect and complete manual in
the world immediately.

Our support email:

ebooklibonline@outlook.com