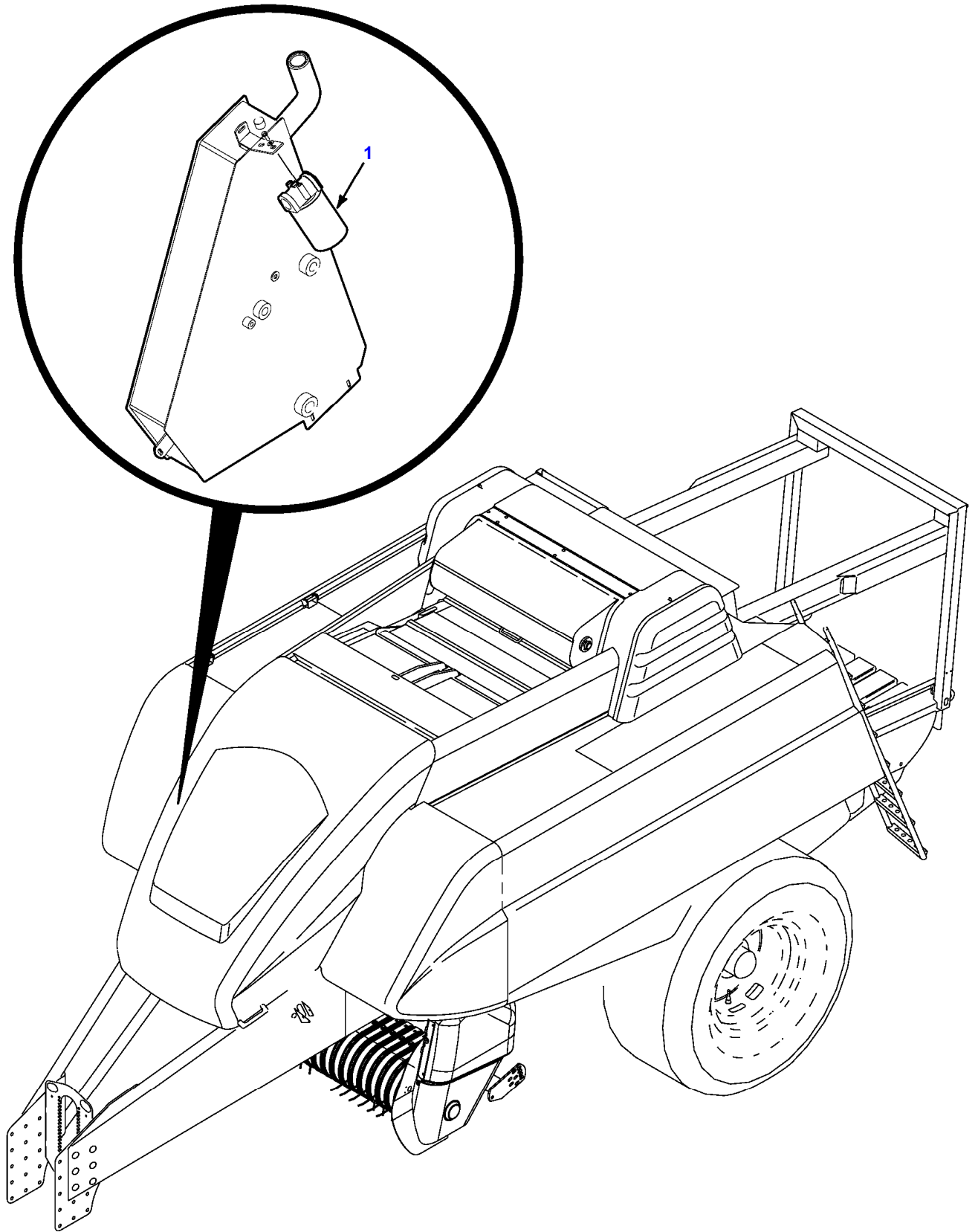


<b>Page Number</b>	<b>Page Title</b>	<b>Page Reference</b>
01-000-TOC	DRIVE SYSTEM	01-000-TOC
02-000-TOC	HYDRAULIC SYSTEM	02-000-TOC
03-000-TOC	ELECTRICAL SYSTEM	03-000-TOC
04-000-TOC	BALE FEEDING SYSTEM	04-000-TOC
05-000-TOC	BALE FORMING SYSTEM	05-000-TOC
06-000-TOC	BALE KNOTTING SYSTEM	06-000-TOC
07-000-TOC	BALE EJECTING SYSTEM	07-000-TOC
08-000-TOC	CHASSIS	08-000-TOC
09-000-TOC	DECALS	09-000-TOC
10-000-TOC	AXLES, SPINDLES, AND WHEELS	10-000-TOC
11-000-TOC	BRAKE SYSTEM	11-000-TOC
12-000-TOC	ACCESSORIES	12-000-TOC

## DRIVE SYSTEM

Page Number	Page Title	Page Reference
01-0001	FILTER	359492
01-0002	MAIN DRIVE S/N DHB05101 - EHB05197	T13C01I29B0003
01-0003	MAIN DRIVE S/N EHB05198 AND LATER	1416397
01-0004	CLUTCH - FLYWHEEL	T13C01I29B0004
01-0005	DRIVE SHAFT S/N EHB05101 - EHB05197	T13C01I29B0005
01-0006	DRIVE SHAFT S/N EHB05198 AND LATER	1414520
01-0007	SECONDARY DRIVE SHAFT	T13C01I29B0006
01-0008	PRIMARY DRIVE SHAFT - CE 1-3/8 INCH X 21 SPLINE	T13C01I29B0009
01-0009	PRIMARY DRIVE SHAFT - CE 1-3/4 INCH X 20 SPLINE	T13C01I29B0010
01-0010	BRAKE - FLYWHEEL	T13C01I29B0011
01-0011	MOUNTING - FLYWHEEL	T13C01I29B0012
01-0012	MOUNTING - GEARBOX	T13C01I29B0013
01-0013	GEARBOX ASSEMBLY	T13C01I29B0014
01-0014	GEARBOX ASSEMBLY	T13C01I29B0015
01-0015	AUXILIARY DRIVE - LEFT HAND	T13C01I29B0016
01-0016	AUXILIARY DRIVE - RIGHT HAND	T13C01I29B0017
01-0017	SHAFT AND SPROCKET - AUXILIARY	T13C01I29B0018
01-0018	SLIP CLUTCH - AUXILIARY	T13C01I29B0019
01-0019	DRIVE - CUTTER	T13C01I29B0020
01-0020	GEARBOX ASSEMBLY - CUTTER	T13C01I29B0021
01-0021	SLIP CLUTCH - CUTTER	T13C01I29B0022
01-0022	CHAIN LUBE WITHOUT CUTTER	1499471
01-0023	CHAIN LUBE WITH CUTTER	1499472

12130 LARGE RECTANGULAR BALER (EHB05101 - 99999999)  
000000-10



---

Fendt

12130 LARGE RECTANGULAR BALER (EHB05101 - 99999999)

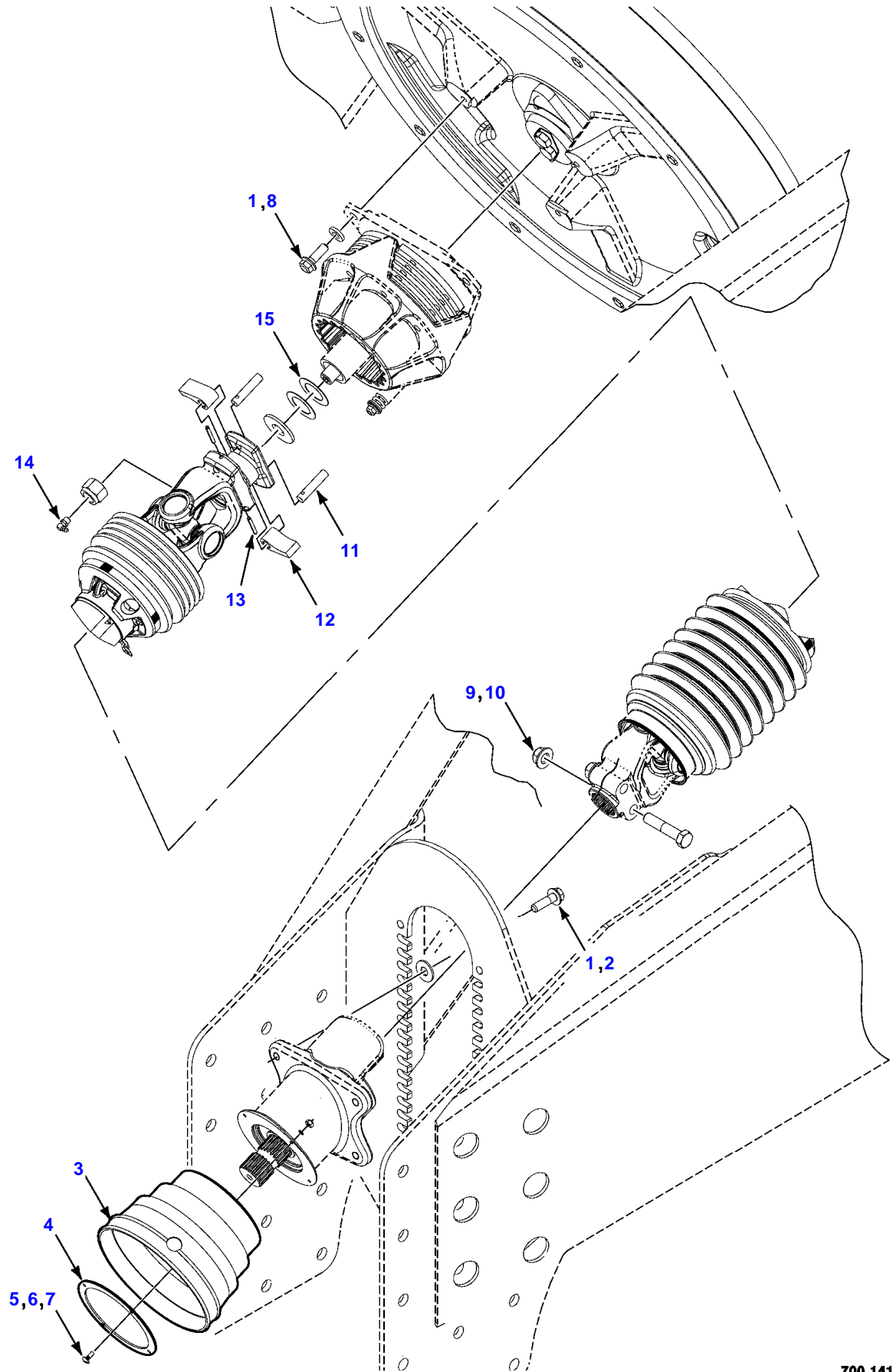
79036165

FILTER

Page01-0001

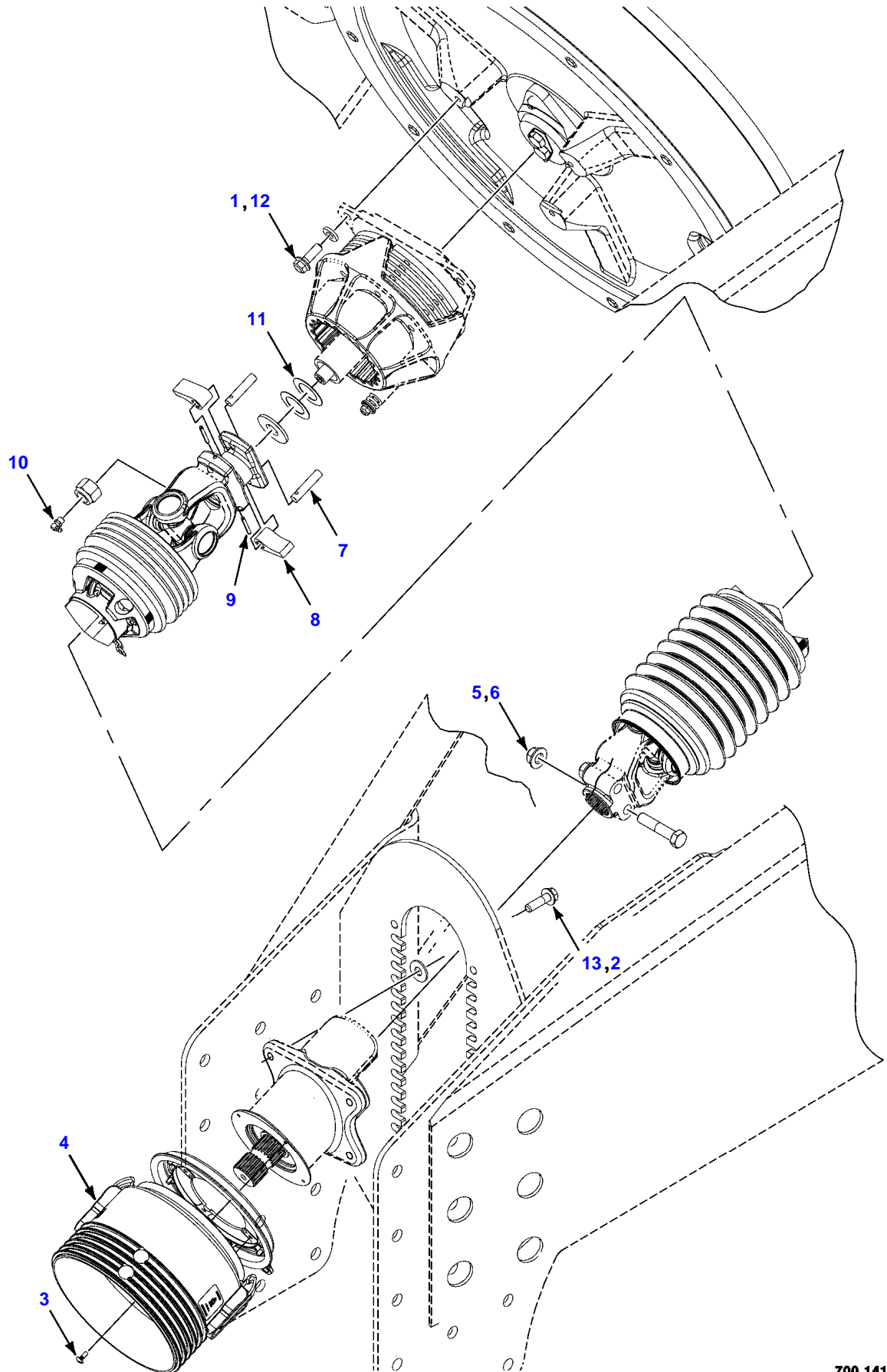
Item	Part Number	Qty	Description Comments
1	700738685	1	FILTER
	700738686	1	FILTER ELEMENT

12130 LARGE RECTANGULAR BALER (EHB05101 - 99999999)  
141012-1



Item	Part Number	Qty	Description Comments	Technical Specification
			S/N DHB05101 - EHB05197	
1	8701237	7	HEX FLANGE HEAD BOLT	1/2"-13 X 1-1/2", GR8
2	700711557	4	FLAT WASHER	1/2"
3	700729081	1	CONE GUARD	
4	700143340	1	MOUNTING FLANGE	
5	700737790	4	PAN HEAD SCREW	#12-24 X 3/4, RIBBED NECK
6	7705692	4	LOCK WASHER	#12
7	700705521	4	SPECIAL LOCKNUT	#12-24
8	705541	3	FLAT WASHER	1/2"
9	700708270	2	HEX HEAD BOLT	5/8"-11 X 3", GR8
10	700711198	2	HEX FLANGE LOCKNUT	5/8"-11, GRG
11	700113037	2	PAWL PIN	
12	700113036	2	CLUTCH PAWL	
13	Z63396	2	SPLIT PIN	3/16" X 1-1/2"
14	Z77115	1	GREASE FITTING	1/8"-27, 90D
15	6522932	2	CLUTCH SHIM	1-13/32" ID X 2-1/4" OD

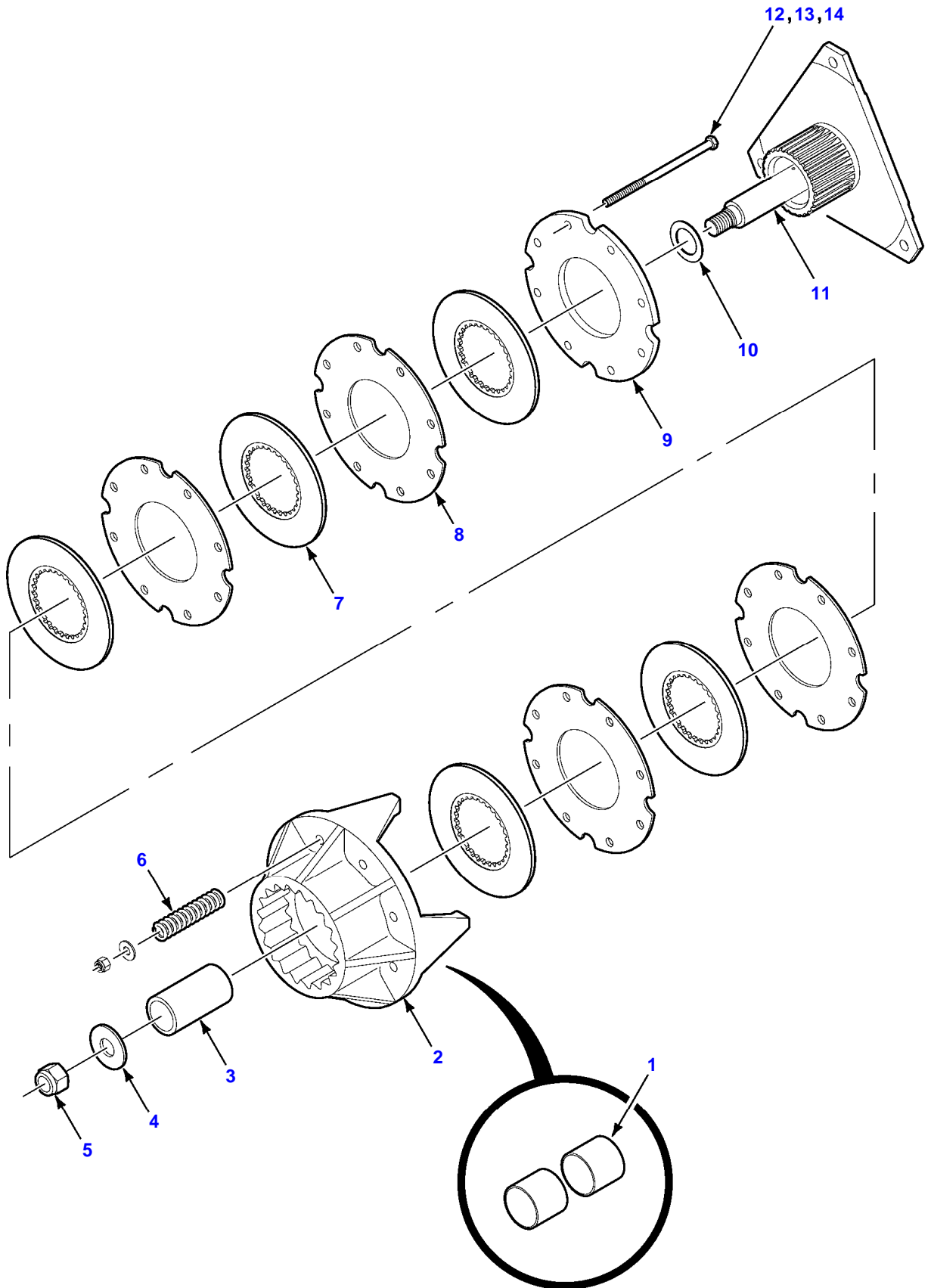
12130 LARGE RECTANGULAR BALER (EHB05101 - 99999999)  
700141012-3



Item	Part Number	Qty	Description Comments	Technical Specification
			<b>S/N EHB05198 AND LATER</b>	
1	8701237	3	HEX FLANGE HEAD BOLT	1/2"-13 X 1-1/2", GR8
2	700711557	4	FLAT WASHER	1/2"
3	3012141X1	4	HEX FLANGE HEAD BOLT	M6 X 1.0 X 16MM, CL8.8
4	700744199	1	CONE SHIELD	
5	700708270	2	HEX HEAD BOLT	5/8"-11 X 3", GR8
6	700711198	2	HEX FLANGE LOCKNUT	5/8"-11, GRG
7	700113037	2	PAWL PIN	
8	700113036	2	CLUTCH PAWL	
9	Z63396	2	SPLIT PIN	3/16" X 1-1/2"
10	Z77115	1	GREASE FITTING	1/8"-27, 90D
11	6522932	2	CLUTCH SHIM	1-13/32" ID X 2-1/4" OD
12	705541	3	FLAT WASHER	1/2"
13	3009222X1	4	HEX FLANGE HEAD BOLT	M12 X 1.75 X 40MM, CL10.9, ZN

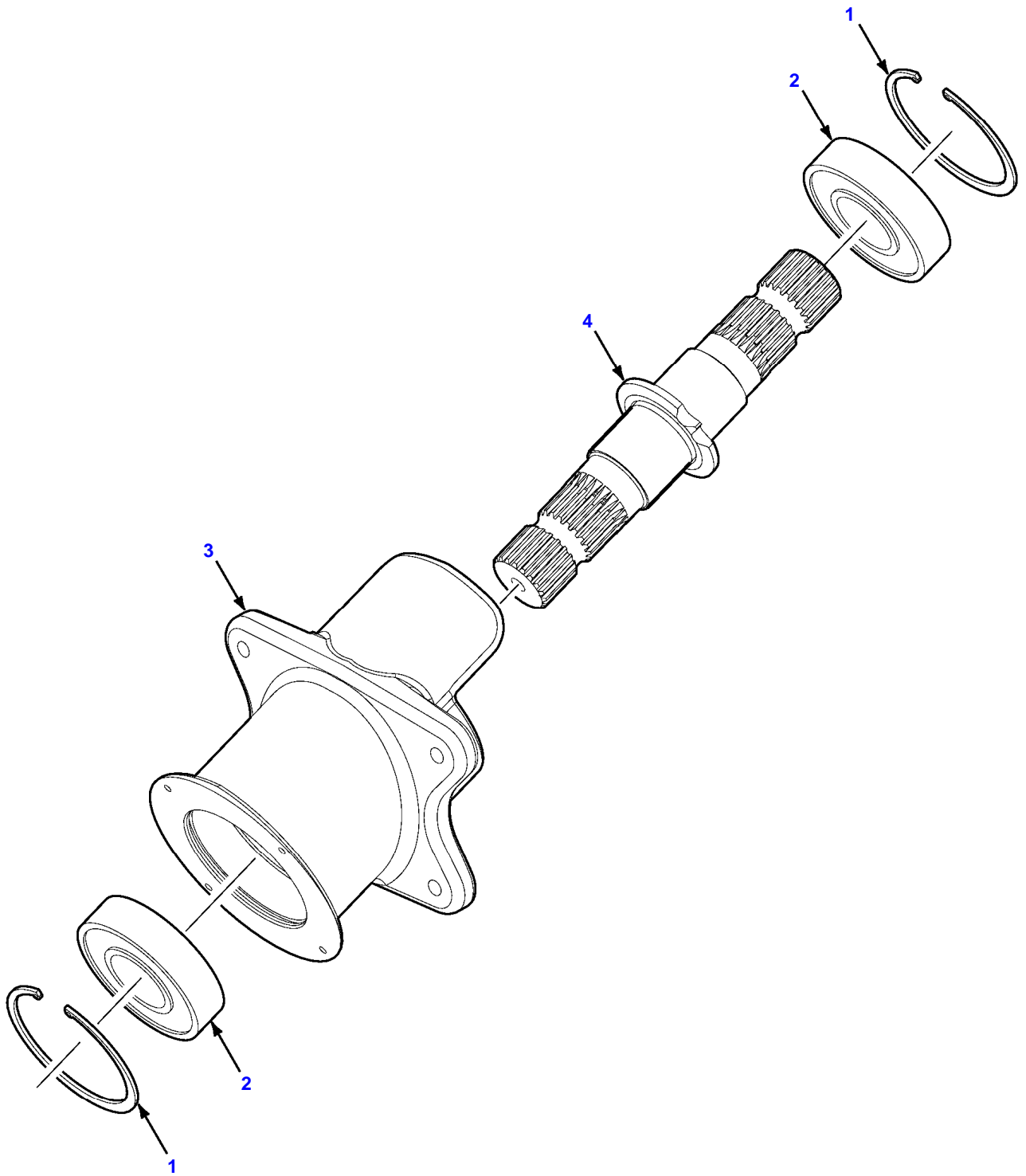


12130 LARGE RECTANGULAR BALER (EHB05101 - 99999999)  
141152-0



Item	Part Number	Qty	Description Comments	Technical Specification
1	7852114	2	BUSHING	1-1/2" ID X 1-3/8", BRONZE
2	700164637	1	CLUTCH HOUSING	
	7852114	2	BUSHING	1-1/2" ID X 1-3/8", BRONZE
3	6350805	1	HEADER PICKUP TUBE	2" OD X 3-3/4"
4	76521	1	FLAT WASHER	NON-PLATED, 7/8
5	700707250	1	HEX NUT	7/8"-14
6	858019	8	COMPRESSION SPRING	
7	700108820	5	FRICTION DISC	6-7/8" DIA
8	700112903	4	CLUTCH PLATE	
9	6522866	1	CLUTCH PLATE	
10	Z52274	1	MACHINERY BUSHING	1-3/8" X 14GA
11	700193077	1	CLUTCH PILOT	
12	700732562	8	HEX HEAD BOLT	3/8"-16 X 7-1/2", GR5
13	700709603	8	FLAT WASHER	3/8"
14	704734	8	HEX FLANGE LOCKNUT	3/8"-16

12130 LARGE RECTANGULAR BALER (EHB05101 - 99999999)  
176092-0



Fendt

12130 LARGE RECTANGULAR BALER (EHB05101 - 99999999)

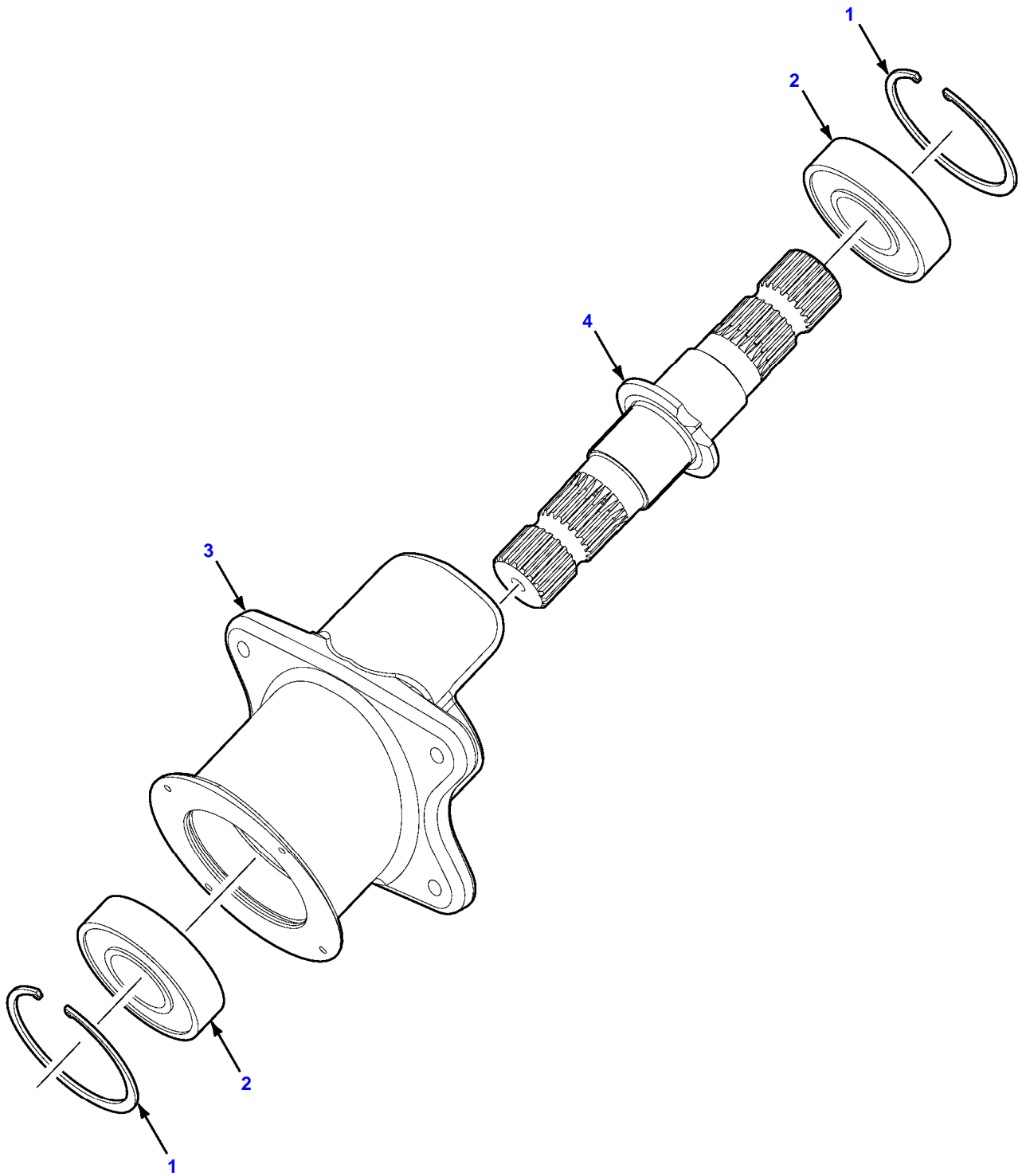
79036165

DRIVE SHAFT

Page01-0005

Item	Part Number	Qty	Description Comments	Technical Specification
			S/N EHB05101 - EHB05197	
1	8052326	2	RETAINING RING	101MM OD
2	700721594	2	BALL BEARING	45 X 100 X 25MM
3	700734696	1	SUPPORT	
4	700174791	1	DRIVE SHAFT	

12130 LARGE RECTANGULAR BALER (EHB05101 - 99999999)  
176092-0



Fendt

12130 LARGE RECTANGULAR BALER (EHB05101 - 99999999)

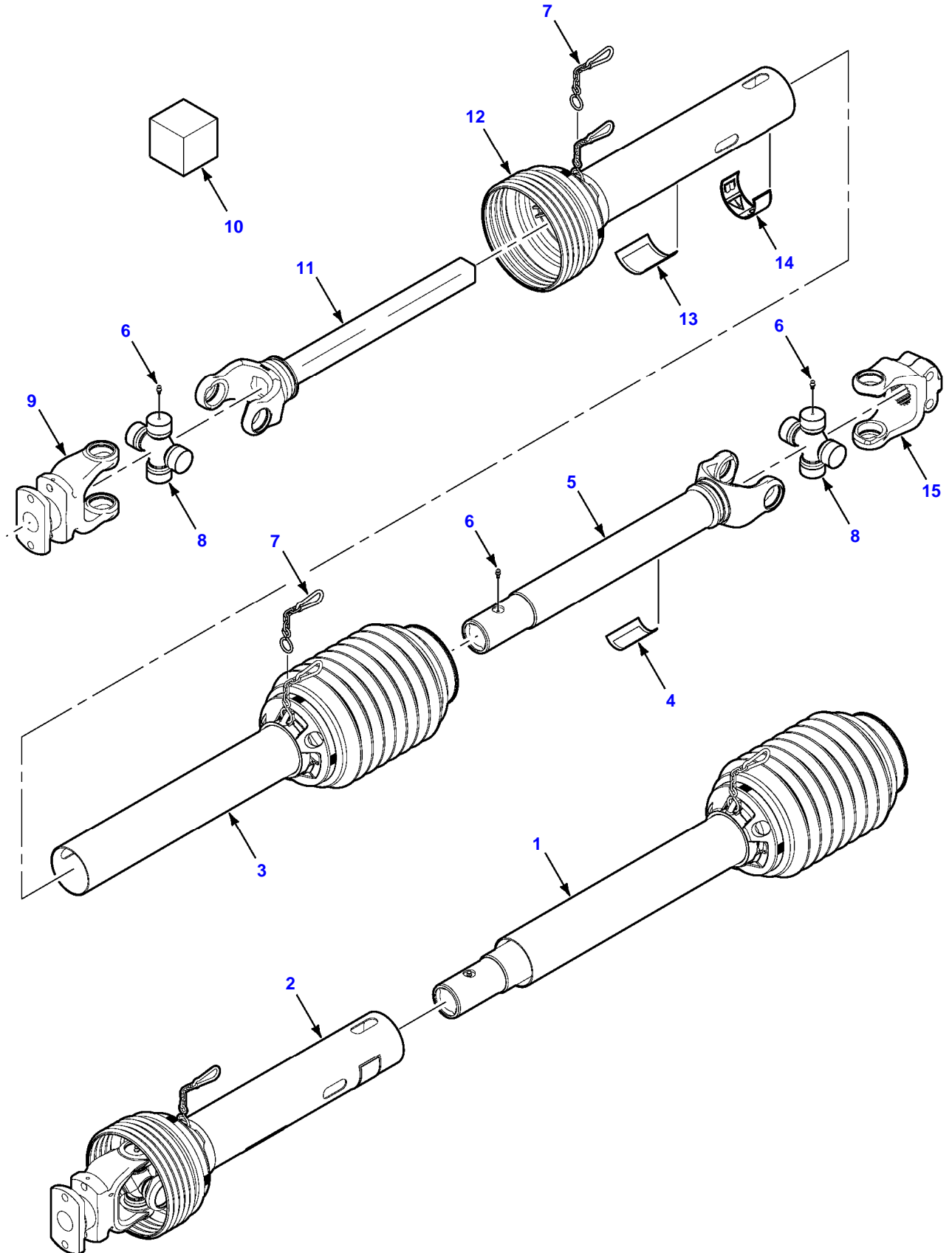
79036165

DRIVE SHAFT

Page01-0006

Item	Part Number	Qty	Description Comments	Technical Specification
			S/N EHB05198 AND LATER	
1	8052326	2	RETAINING RING	101MM OD
2	700721594	2	BALL BEARING	45 X 100 X 25MM
3	700744200	1	HOUSING SUPPORT	
4	700174791	1	DRIVE SHAFT	

12130 LARGE RECTANGULAR BALER (EHB05101 - 99999999)  
724035-0

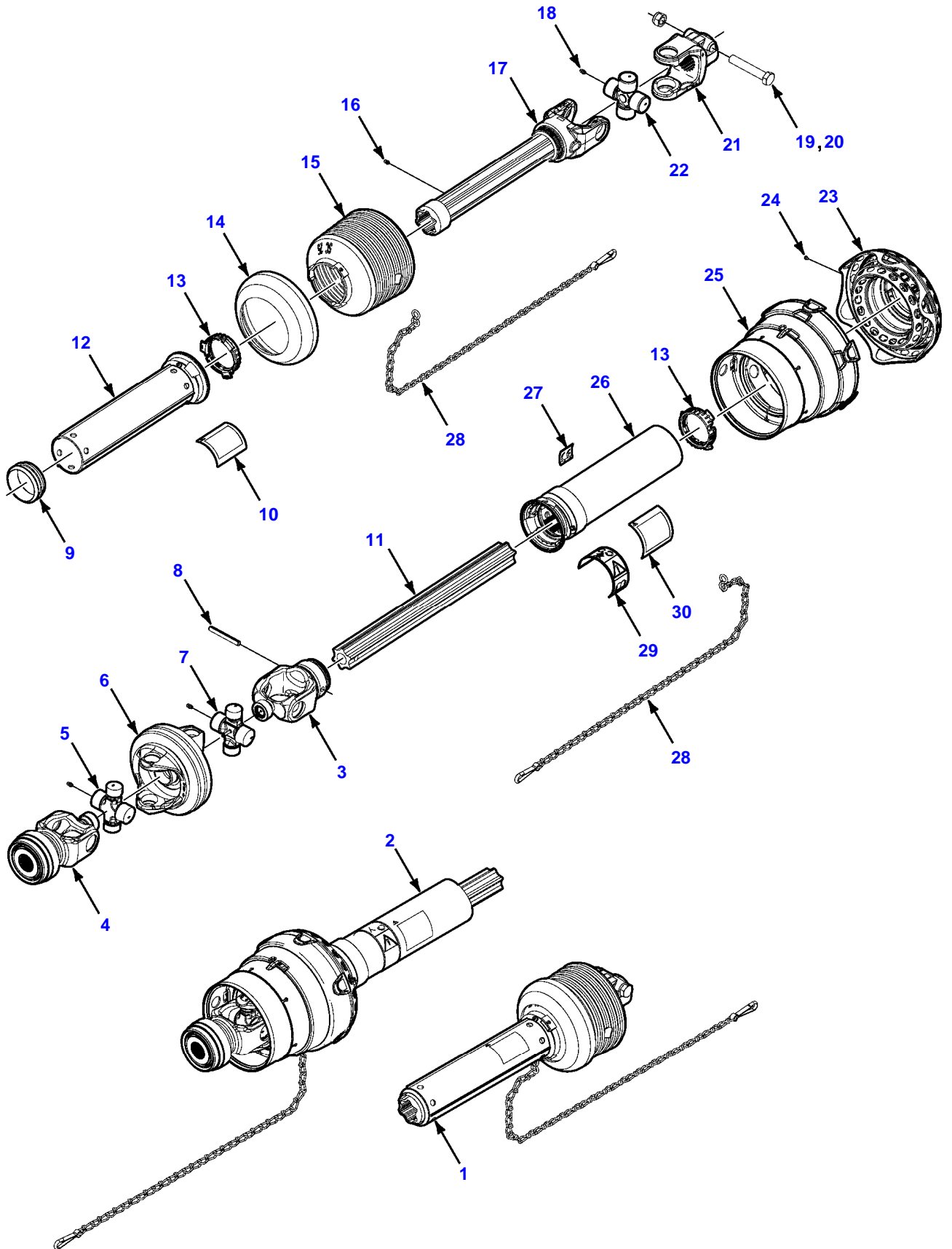


Item	Part Number	Qty	Description Comments	Technical Specification
1	700724125	1	PTO HALF SHAFT	
2	700724123	1	PTO HALF SHAFT	
3	700724141	1	DRIVE SHAFT SAFETY GUARD	
4	700747136	1	DANGER DECAL, SHIELD MISSING	127MM X 87MM
5	700724142	1	YOKE TUBE [A]	
6	Z77016	3	GREASE FITTING	1/4"-28
7	700720152	2	CHAIN KIT	
8	700724136	2	CROSS AND BEARING KIT	39MM DIA CAP, 109MM OL
	Z77016	1	GREASE FITTING	1/4"-28
9	700706955	1	YOKE	
	7711799	1	CYLINDRICAL BEARING	
	700706956	1	BUSHING	35MM X 41MM X 32MM, BRONZE
	7052798	1	RETAINING RING	52.17MM
	Z77107	1	GREASE FITTING	1/8"-27, 65D
10	700723268	2	GUARD BUSHING KIT	NYLON
11	700724137	1	YOKE SHAFT	
12	700724140	1	DRIVE SHAFT SAFETY GUARD [A]	
13	700747135	1	DANGER DECAL, ROTATING DRIVELINE	134MM X 95MM
14	700746100	1	WARNING DECAL	
15	700721794	1	YOKE	

**[A] THE APPROPRIATE SAFETY DECALS MUST BE ORDERED AND FITTED TO THIS PART**

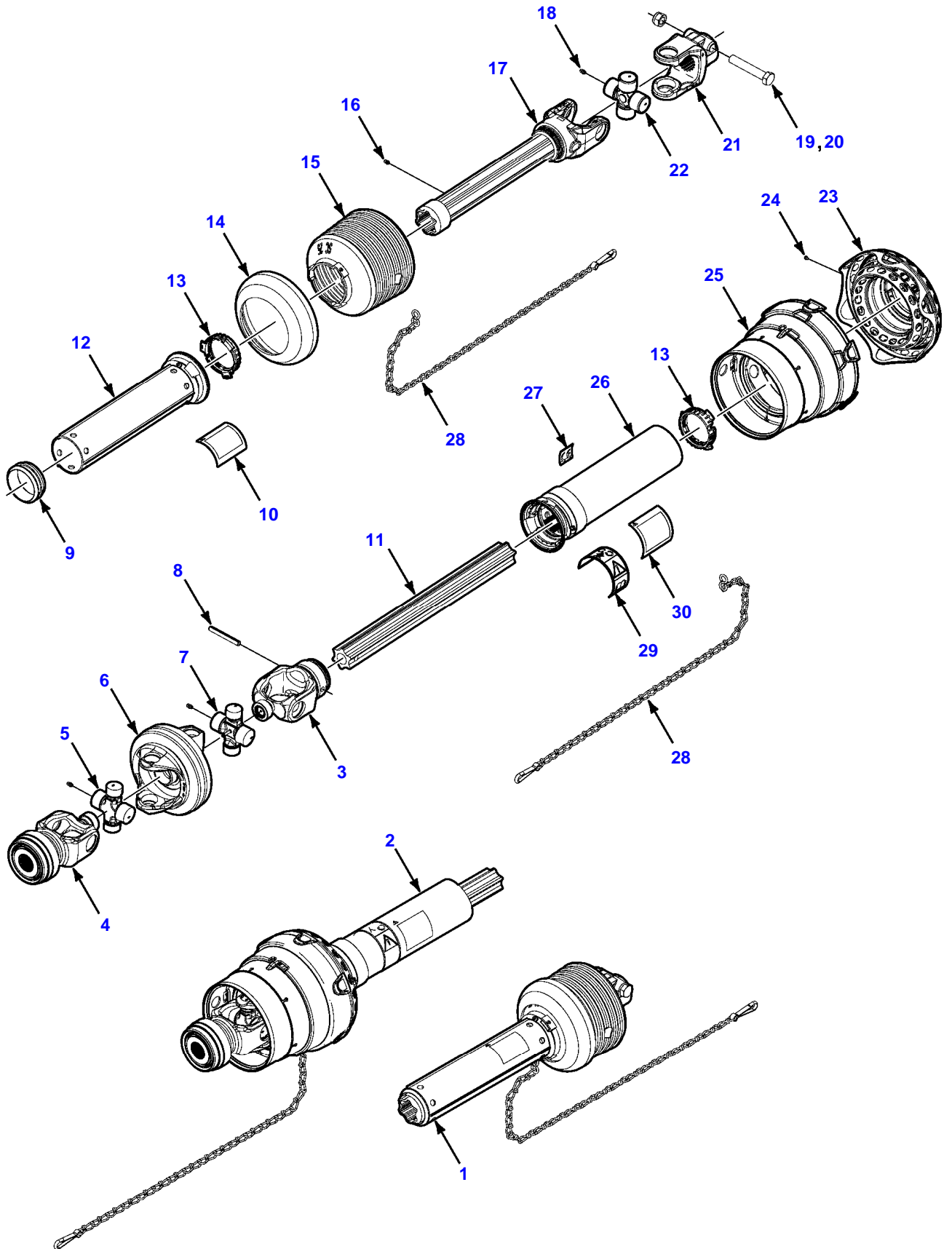


12130 LARGE RECTANGULAR BALER (EHB05101 - 99999999)  
734457-0



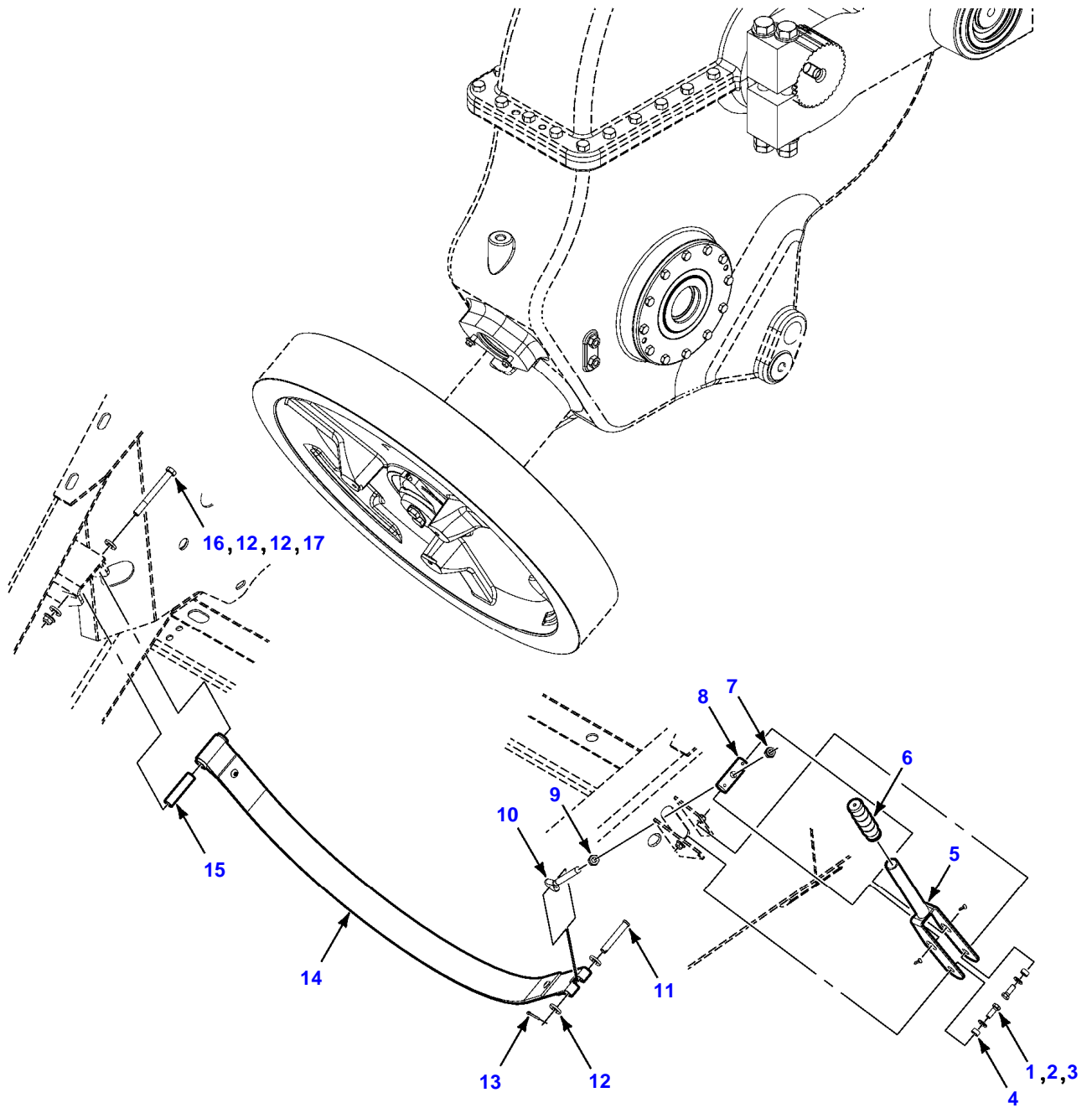
Item	Part Number	Qty	Description Comments	Technical Specification
			<b>1-3/8 INCH X 21 SPLINE</b>	
1	700737113	1	PTO HALF SHAFT	1-3/4", 20 SPLINE
2	700735106	1	PTO HALF SHAFT	
3	700735112	1	YOKE	
4	700735109	1	YOKE	1-3/8", 21 SPLINE
	700735126	1	REPAIR KIT	LOCK
5	700735113	1	CROSS AND BEARING KIT	32 & 36MM DIA CAP, 112MM OL
6	700735110	1	DOUBLE YOKE	
7	700735111	1	CROSS AND BEARING KIT	32 & 36MM DIA CAP, 112MM OL
8	763847	1	SPRING PIN	10 X 75 MM
9	700735123	1	BEARING BRACKET	
10	700747136	1	DANGER DECAL, SHIELD MISSING	127MM X 87MM
11	700735114	1	INNER PROFILE SHAFT	
12	700737117	1	INNER GUARD [A]	
13	8800633	2	BEARING RING	SC25
14	700735124	1	REINFORCING COLLAR	
15	700735122	1	CONE GUARD	7 RIB
16	700713262	1	GREASE FITTING	1/4"-28 X 9/16"
17	700737115	1	YOKE TUBE	IB (S5G)
18	700735125	3	GREASE FITTING	M6 X 1
19	339182X1	1	HEX CAP SCREW	M16 X 2 X 90, CL8.8
20	1442739X1	1	HEX LOCKNUT	M16 X 2, CL8
21	700737116	1	YOKE	1-3/4"-20 SPLINE
22	700735116	1	CROSS AND BEARING KIT	36MM DIA CAP, 89MM OL
23	700735121	1	GUARD CONE AND FLEX NET	
24	700714614	10	MACHINE SCREW	
25	700735120	1	DRIVE SHAFT SAFETY GUARD	
26	700735117	1	GUARD TUBE AND CAP [A]	
27	700735129	1	DECAL, CE	
28	71382485	2	SAFETY CHAIN	
29	700746100	1	WARNING DECAL	
30	700747135	1	DANGER DECAL, ROTATING DRIVELINE	134MM X 95MM
			<b>[A] THE APPROPRIATE SAFETY DECALS MUST BE ORDERED AND FITTED TO THIS PART</b>	

12130 LARGE RECTANGULAR BALER (EHB05101 - 99999999)  
734458-0



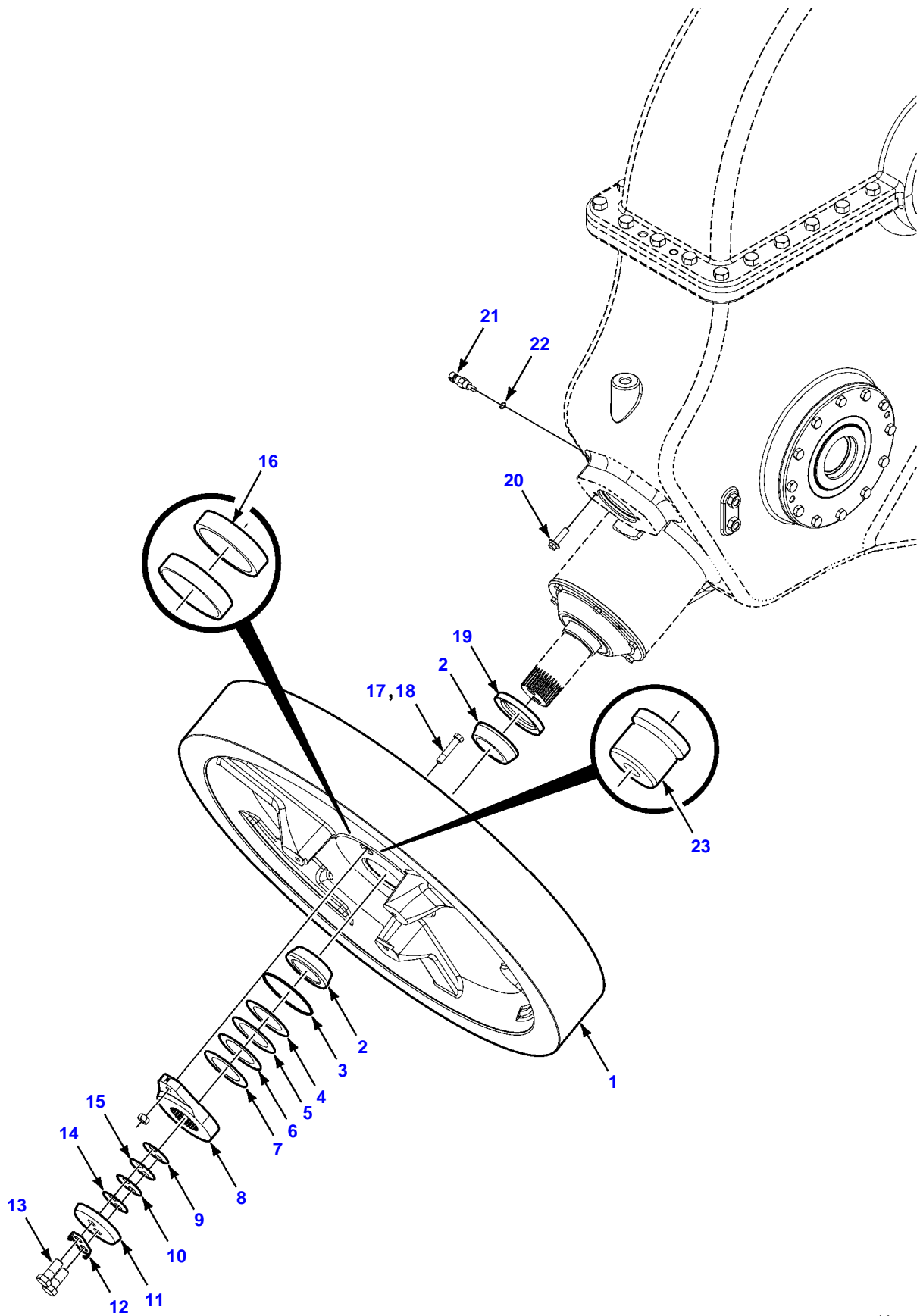
Item	Part Number	Qty	Description Comments	Technical Specification
<b>1-3/4 INCH X 20 SPLINE</b>				
1	700737113	1	PTO HALF SHAFT	1-3/4", 20 SPLINE
2	700735108	1	PTO HALF SHAFT	1-3/4", 20 SPLINE
3	700735112	1	YOKE	
4	700735127	1	YOKE	1-3/4", 20 SPLINE
	700735128	1	REPAIR KIT	LOCK
5	700735113	1	CROSS AND BEARING KIT	32 & 36MM DIA CAP, 112MM OL
6	700735110	1	DOUBLE YOKE	
7	700735111	1	CROSS AND BEARING KIT	32 & 36MM DIA CAP, 112MM OL
8	763847	1	SPRING PIN	10 X 75 MM
9	700735123	1	BEARING BRACKET	
10	700747136	1	DANGER DECAL, SHIELD MISSING	127MM X 87MM
11	700735114	1	INNER PROFILE SHAFT	
12	700737117	1	INNER GUARD [A]	
13	8800633	2	BEARING RING	SC25
14	700735124	1	REINFORCING COLLAR	
15	700735122	1	CONE GUARD	7 RIB
16	700713262	1	GREASE FITTING	1/4"-28 X 9/16"
17	700737115	1	YOKE TUBE	IB (S5G)
18	700735125	3	GREASE FITTING	M6 X 1
19	339182X1	1	HEX CAP SCREW	M16 X 2 X 90, CL8.8
20	1442739X1	1	HEX LOCKNUT	M16 X 2, CL8
21	700737116	1	YOKE	1-3/4"-20 SPLINE
22	700735116	1	CROSS AND BEARING KIT	36MM DIA CAP, 89MM OL
23	700735121	1	GUARD CONE AND FLEX NET	
24	700714614	10	MACHINE SCREW	
25	700735120	1	DRIVE SHAFT SAFETY GUARD	
26	700735117	1	GUARD TUBE AND CAP [A]	
27	700735129	1	DECAL, CE	
28	71382485	2	SAFETY CHAIN	
29	700746100	1	WARNING DECAL	
30	700747135	1	DANGER DECAL, ROTATING DRIVELINE	134MM X 95MM
<b>[A] THE APPROPRIATE SAFETY DECALS MUST BE ORDERED AND FITTED TO THIS PART</b>				

12130 LARGE RECTANGULAR BALER (EHB05101 - 99999999)  
141000-1



Item	Part Number	Qty	Description Comments	Technical Specification
1	703249	2	HEX HEAD BOLT	3/8"-16 X 1", GR5, FT
2	705533	2	FLAT WASHER	3/8"
3	704734	2	HEX FLANGE LOCKNUT	3/8"-16
4	6489231	2	SPACER	5/8" OD X 5/16"
5	700113054	1	HANDLE	
6	Z27342	1	HANDLE GRIP	
7	Z62257	2	COTTER PIN	3/16" X 1-1/2"
8	700113057	1	BRAKE PIN	1" DIA X 74MM OL
9	7704752	2	HEX NUT	1/2"-13
10	766667	1	EYEBOLT	1/2"-13 X 10"
11	Z63883	1	CLEVIS PIN	1/2" X 3"
12	705541	4	FLAT WASHER	1/2"
13	Z62174	1	COTTER PIN	5/32" X 1"
14	700113058	1	BRAKE STRAP	
15	6524003	1	SPACER	19MM OD X 76M OL
16	703223	1	HEX HEAD BOLT	1/2"-13 X 4-1/2", GR5
17	704742	1	HEX FLANGE LOCKNUT	1/2"-13

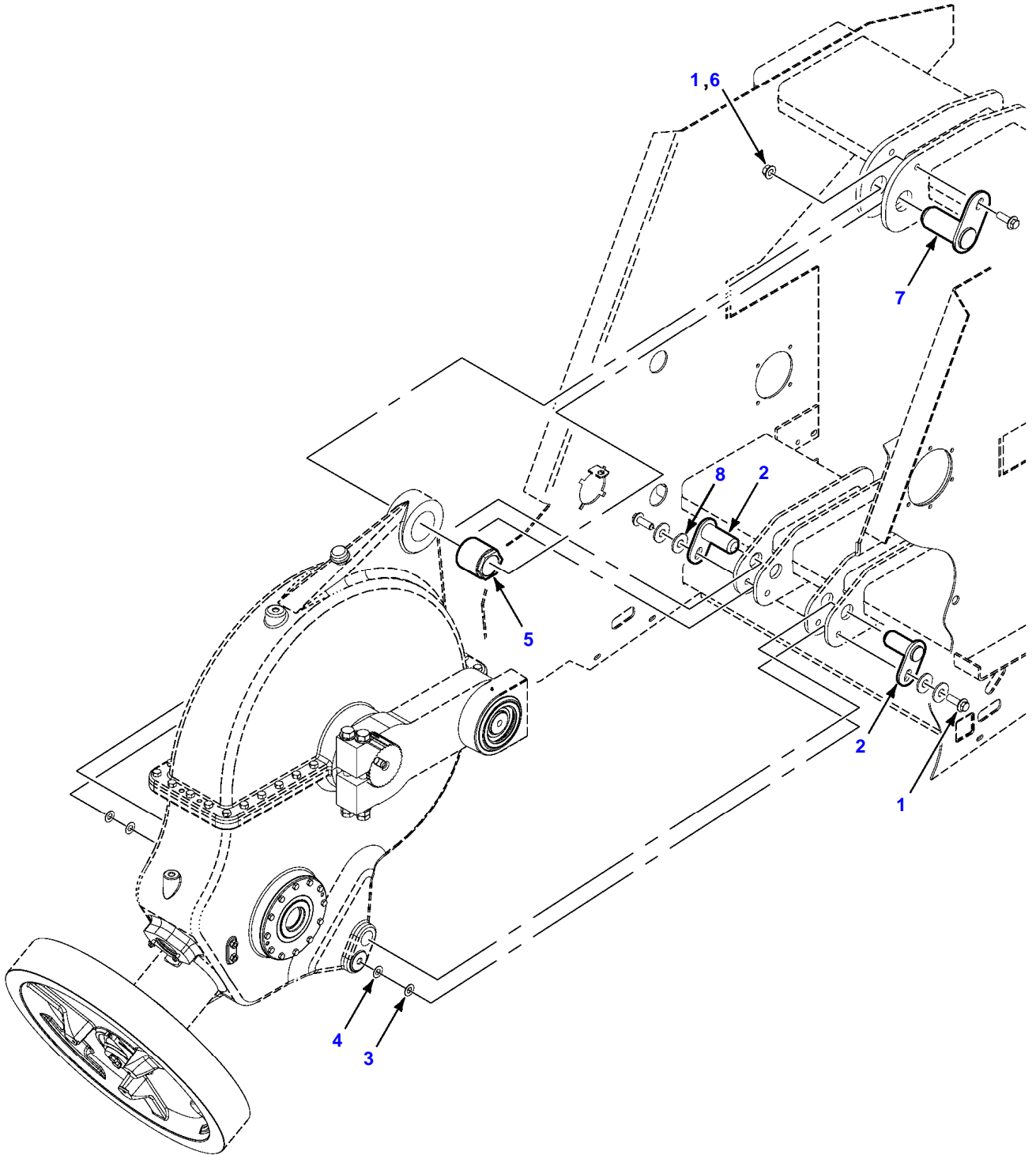
12130 LARGE RECTANGULAR BALER (EHB05101 - 99999999)  
141071-1



Item	Part Number	Qty	Description Comments	Technical Specification
1	700175312	1	FLYWHEEL	
	7852718	1	SHEAR BUSHING	
	700706038	2	BEARING CUP	
2	700706039	2	BEARING CONE	
3	700706050	1	O-RING	4-1/4" ID
4	700706056	-	SHIM	2-1/2 X 3-3/4 X 0.003
5	700706057	-	SHIM	2-1/2 X 3-3/4 X 0.005
6	700706058	-	SHIM	2-1/2 X 3-3/4 X 0.010
7	700707991	-	SHIM	0.020
8	700143193	1	SHEAR HUB	
	700728938	1	PLUNGER SPRING	
9	700707993	-	SHIM	55MM OD X .020"
10	700706060	-	SHIM	55MM OD X .005"
11	700113044	1	RETAINER CAP	
12	700113045	1	LOCK TAB	
13	700708355	2	HEX HEAD BOLT	M16-2.0 X 40MM, CL10.9
14	700706059	-	SHIM	55MM OD X .003"
15	700706061	-	SHIM	55MM OD X .002"
16	700706038	2	BEARING CUP	
17	6521868	1	SHEAR BOLT KIT	7/16"-14 X 2-1/8"
18	7774995	1	HEX NUT	7/16"-14, GR8
19	700706045	1	LIP SEAL	
20	3009208X1	2	HEX FLANGE HEAD BOLT	M10 X 1.5 X 35MM, CL10.9, ZN
21	71393718	1	TEMPERATURE SENSOR	1/2"-20, 2 PIN
22	7040330	1	O-RING	0.414" X .072"
23	7852718	1	SHEAR BUSHING	

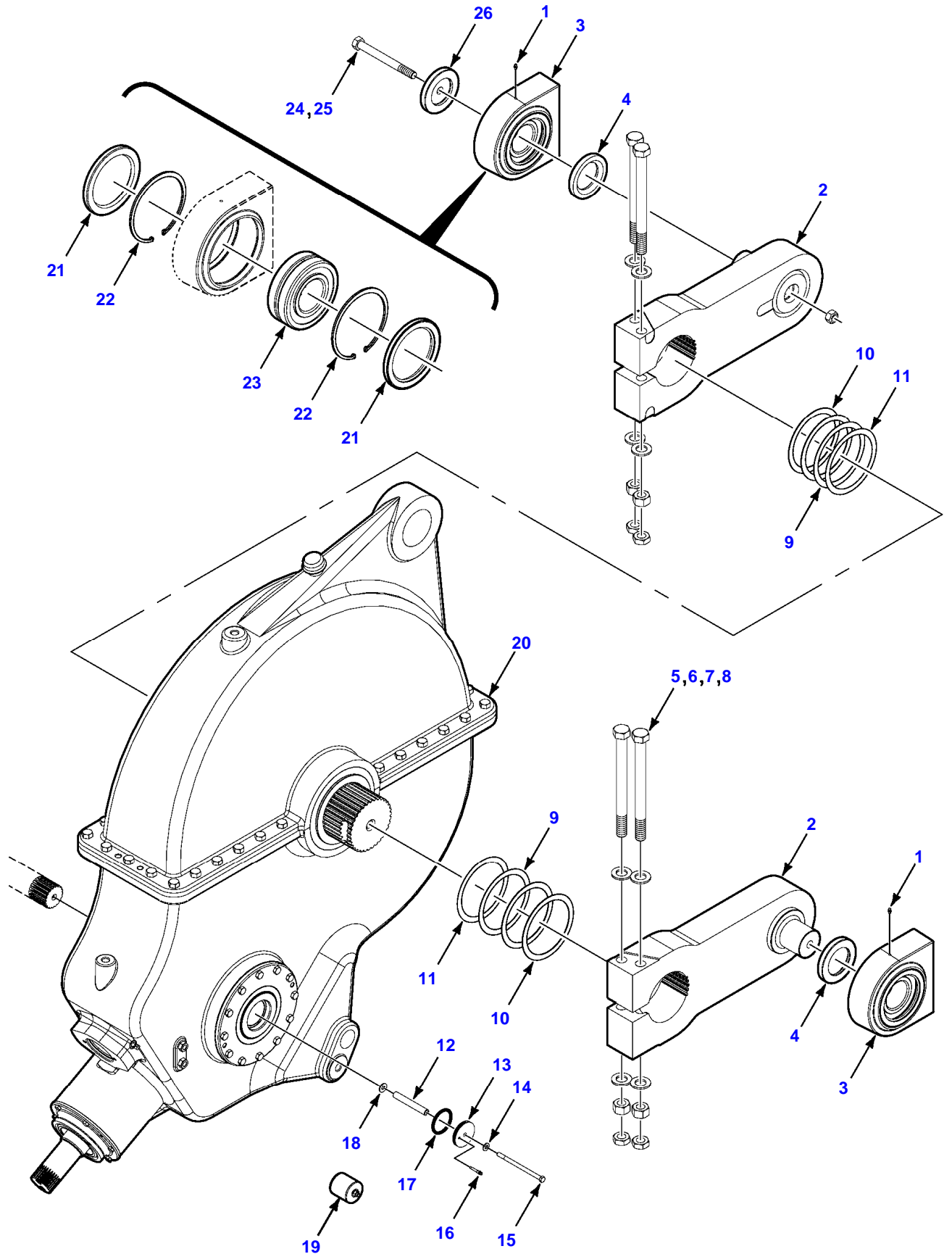


12130 LARGE RECTANGULAR BALER (EHB05101 - 99999999)  
146827-0



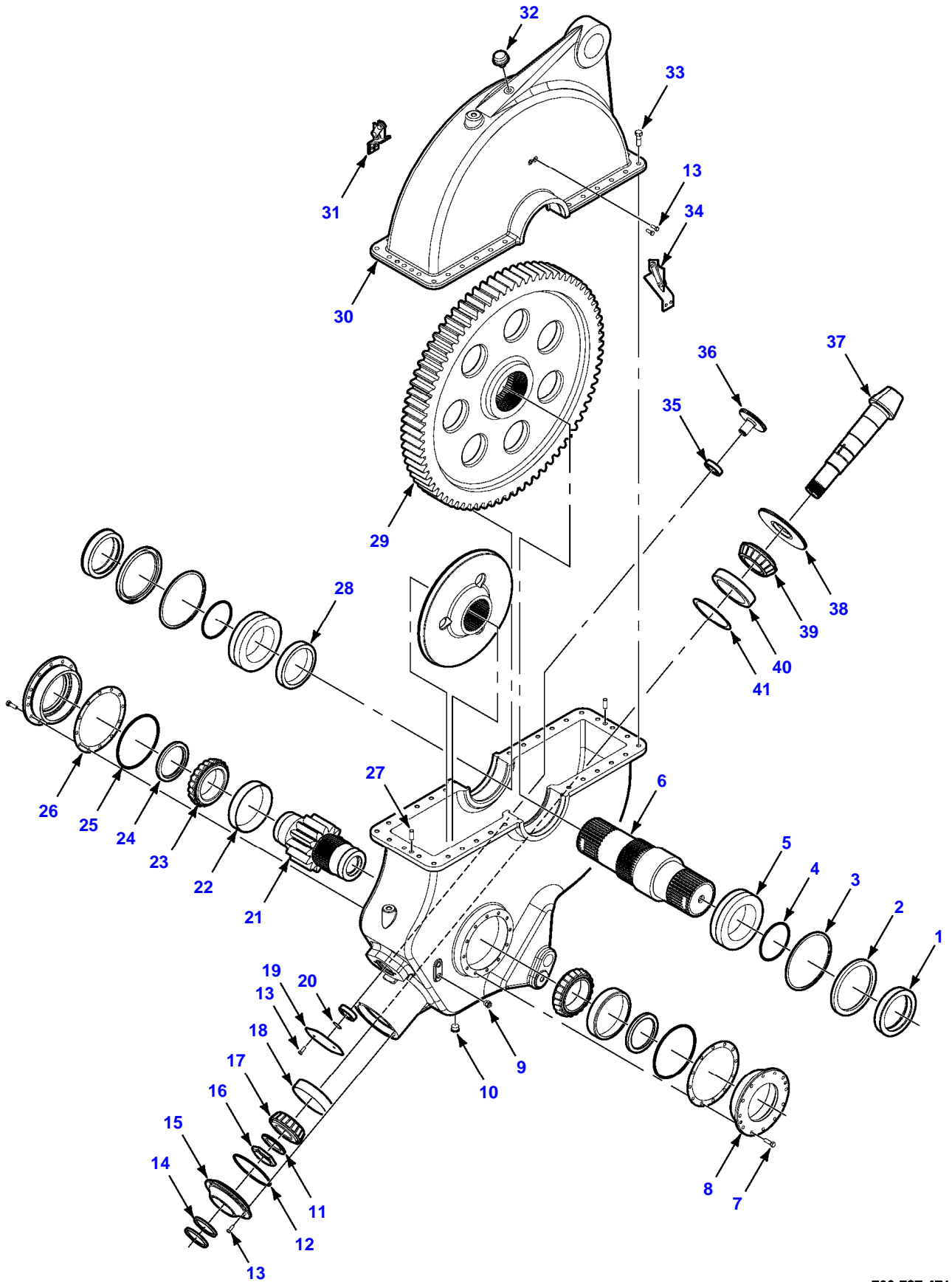
Item	Part Number	Qty	Description Comments	Technical Specification
1	3009256X1	3	HEX HEAD BOLT	M20 X 60MM, CL10.9, FT
2	700146842	2	GEARBOX PIN	
3	852608	-	MACHINERY BUSHING	7/8" X 1-3/4" X 14GA
4	700730827	-	MACHINERY BUSHING	7/8" X 1-3/4" X 18GA
5	700141086	1	ECCENTRIC BUSHING	
6	3019128X1	1	HEX FLANGE NUT	M20 X 2.5 X 20MM, CL10
7	700146152	1	GEARBOX PIN	
8	700711166	4	FLAT WASHER	3/4"

12130 LARGE RECTANGULAR BALER (EHB05101 - 99999999)  
141071-3



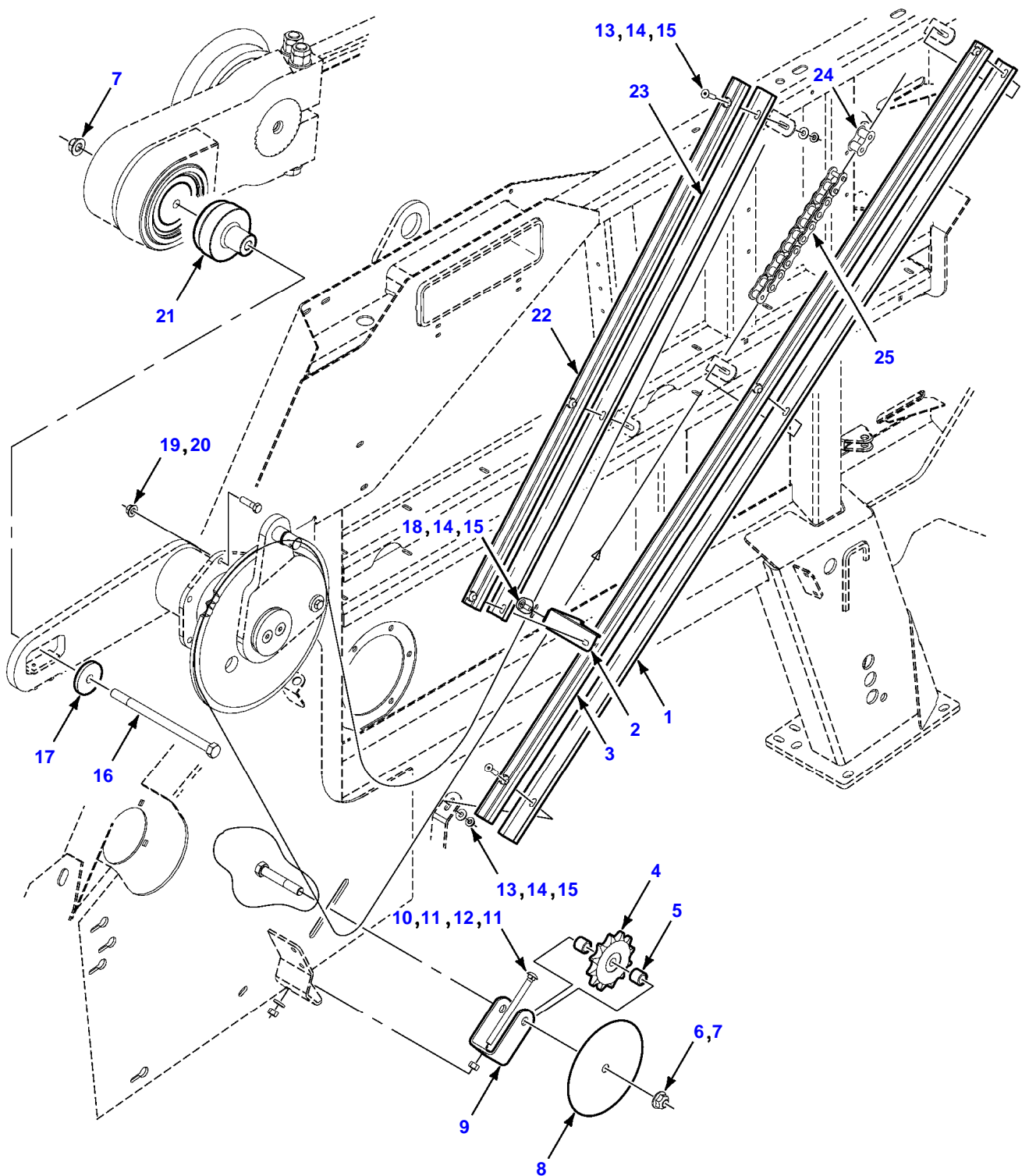
Item	Part Number	Qty	Description Comments	Technical Specification
1	Z77016	2	GREASE FITTING	1/4"-28
2	700141075	2	CRANK ARM	
3	700141145	2	CARRIER BEARING	
	700728925	2	OIL SEAL	120 X 160 X 12MM
	8052144	2	RETAINING RING	175MM OD
	700724470	1	SPHERICAL BEARING	75 X 160 X 55MM
4	700143153	2	SPACER	75 X 120 X 16MM
5	700707996	4	HEX HEAD BOLT	1"-8 X 12", GR8
6	705574	4	FLAT WASHER	1"
7	874214	4	HEX NUT	1"-8, GR8
8	704684	4	HEX JAM NUT	1"-8, GR2
9	700708039	2	SHIM	0.64/0.025
10	700708041	4	SHIM	1.2/0.048
11	700708038	2	SHIM	0.25/0.010
12	700152030	1	SPACER	16MM OD X 110MM
13	700141151	1	EXPANDABLE PLUG	
14	705533	1	FLAT WASHER	3/8"
15	702811	1	HEX HEAD BOLT	3/8 - 16 X 6", GR5
16	Z77255	1	PIN	
17	70923852	1	O-RING	1/8 X 2-3/8 ID
18	700702916	1	FLAT WASHER	3/8"
19	700734530	1	EXPANDABLE PLUG	
20	700737471	1	GEARBOX	
21	700728925	2	OIL SEAL	120 X 160 X 12MM
22	8052144	2	RETAINING RING	175MM OD
23	700724470	1	SPHERICAL BEARING	75 X 160 X 55MM
24	7883051	1	HEX HEAD BOLT	3/4"-10 X 7-1/2", GR5
25	700710072	1	HEX LOCKNUT	3/4"-10, GRC
26	700143192	1	SPACER	5" OD

12130 LARGE RECTANGULAR BALER (EHB05101 - 99999999)  
737471-0



Item	Part Number	Qty	Description Comments	Technical Specification
	700737471	1	GEARBOX	
1	700733004	2	SPACER	
2	700734704	2	LIP SEAL	186-226-16
3	700708037	2	INTERNAL RETAINING RING	9.471"OD
4	700707999	2	O-RING	5.859" ID
5	700706041	2	SPHERICAL BEARING	
6	700733011	1	SHAFT	
7	70950386	24	HEX HEAD BOLT	M12-1.75 X 40MM, CL10.9, FT
8	700723660	2	CARRIER BEARING	
9	700723671	1	SIGHT PLUG	
10	70924621	1	HEX SOCKET HEAD PLUG	1-1/16"-12 ORB
11	700706032	1	FLAT WASHER	
12	700720024	1	O-RING	6.734" ID
13	391932X1	12	HEX HEAD BOLT	M10X25-ISO 10.9-ZN
14	700706045	2	LIP SEAL	
15	700723659	1	CARRIER SEAL	
16	700706065	1	STAKE NUT	
17	700706030	1	BEARING CONE	
18	700706034	1	BEARING CUP	
19	700723669	1	COVER PLATE	
20	740332	1	RETAINING RING	32MM ID
21	700733003	1	SPUR SHAFT	
22	7713860	2	BEARING CONE	7 3/4" OD
23	700723672	2	BEARING CONE	
24	700723678	2	LIP SEAL	
25	700723677	2	O-RING	8.225" ID
26	700723663	2	SHIM KIT	.030 - .076
27	70937154	2	SPLIT PIN	5/8" X 1-1/2"
28	700733012	1	SPACER	
29	700723655	1	OUTPUT GEAR	
30	700737473	1	GEARBOX HOUSING	
31	700723667	1	SCRAPER, RIGHT HAND	
32	8799280	1	BREATHER VENT	
33	3009132X1	30	METRIC SCREW	M16X50-ISO 10.9-ZN
34	700723666	1	SCRAPER, LEFT HAND	
35	700712383	2	BALL BEARING	
36	700723658	1	SPUR PINION	
37	700733002	1	BEVEL GEAR, PINION SHAFT	
38	700723657	1	AUXILARY SPUR GEAR	
39	700723674	1	BEARING CONE	
40	700723675	1	BEARING CUP	
41	700723662	1	SHIM KIT	.030 - .076

12130 LARGE RECTANGULAR BALER (EHB05101 - 99999999)  
145349-0



Thank you so much for reading.  
Please click the “Buy Now!”  
button below to download the  
complete manual.



After you pay.

You can download the most  
perfect and complete manual in  
the world immediately.

Our support email:

[ebooklibonline@outlook.com](mailto:ebooklibonline@outlook.com)