

Please cut where indicated and place the label on the spine of the binder.

TRACTOR SERVICE

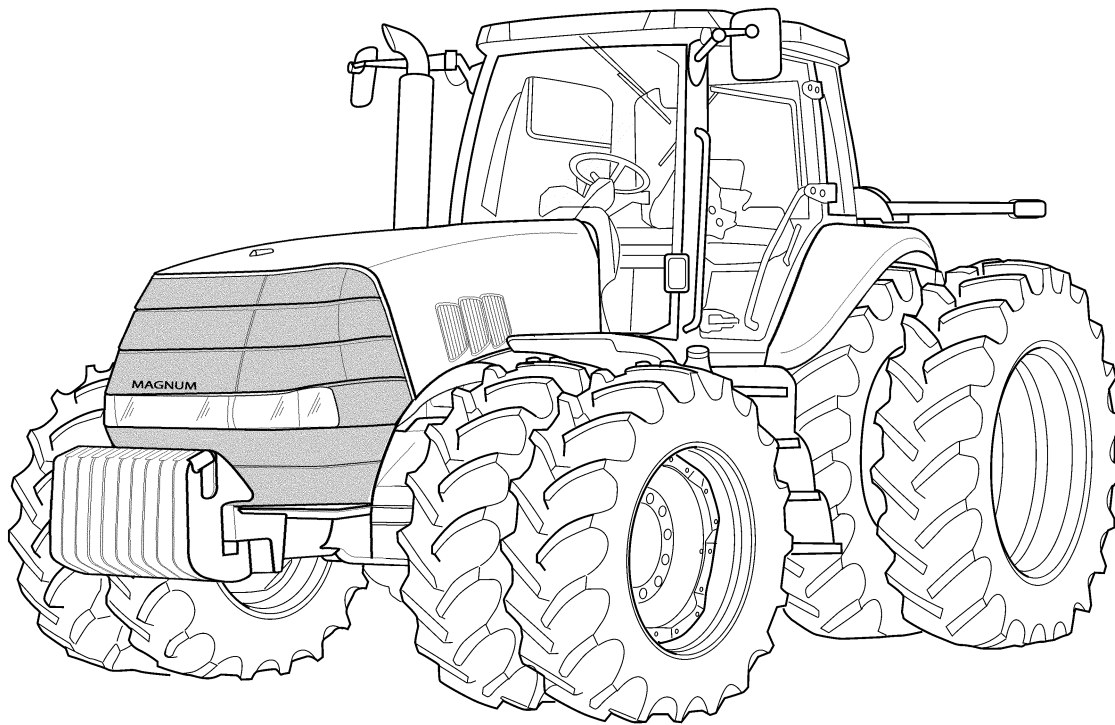
**Magnum 215, 245, 275,
305, 335 Series Tractors -
P.I.N. Z7RZ05000 and
After**

**84315761
(Replaces 84170101)**

TRACTOR SERVICE

**Magnum 215, 245, 275,
305, 335 Series Tractors -
P.I.N. Z7RZ05000 and
After**

**84315761
(Replaces 84170101)**



Magnum 215, 245, 275, 305, 335 Series Tractors

P.I.N. Z7RZ05000 and After

Service Manual

Book A.10.A - A.20.A

Hydraulic System

Pneumatic System

84176634
Issued October, 2008
First Printing

CASE IH
AGRICULTURE

Service Manual Number 84170101 (Replaces 87746430)

**Book A.10.A - A.20.A - 84176634
Hydraulic System, Pneumatic System**

Book A.30.A - 84176635
Connectors

Book A.30.A (continued) and A.40.A - 84176636
Electrical Schematics, Lighting

Book A.50.A - 84176637
Controller Calibration

Book A.50.A (continued) - 84176638
Fault Codes

Book B.10.A - B.80.A - 84176639
Engine

Book C.10.E - C.20.E - 84176640
Drop Box and Transmission

Book C.40.C - C.60.A - 84176641
PTO and Rear Axle

Book D.10.A - 84176642
Front Axle

Book D.14.C - D.40.C - 84176643
MFD, Steering, Brakes and Suspension

Book E.20.A - E.50.B - 84176644
Cab, HVAC System

Book H.10.C - 84176645
Rear Hitch

Electrical Schematic - 84142368

Electrical Schematic - 87718853

Hydraulic Schematic - 87738097

You can order Service Manual books separately
(see publication numbers above)
or you can order a complete Service Manual 84170101
on CD - 84170101-CD.



INTRODUCTION

Contents

INTRODUCTION

Safety rules	3
Torque	5
Capacities	8

Safety rules

 **WARNING** 

Improper machine operation can cause injury or death. Always operate all machine controls from the operator's seat.

84-60

 **WARNING** 

Before starting engine, study operator's manual safety messages. Read all safety signs on machine. Clear the area of other persons. Learn and practice safe use of controls before operating. It is your responsibility to understand and follow manufacturer's instructions on machine operation, service, and to observe pertinent laws and regulations. Operators and service manuals can be obtained from your equipment dealer.

D46-59C

 **WARNING** 

If you wear clothing that is too loose or do not use the correct safety equipment for your job, you can be injured. Always wear clothing that will not catch on objects. Extra safety equipment that can be required includes hard hat, safety shoes, ear protection, eye or face protection, heavy gloves and reflector clothing.

M492

 **WARNING** 

When working in the area of the fan belt with the engine running, avoid loose clothing if possible, and use extreme caution.

M493

 **WARNING** 

When doing checks and tests on the equipment hydraulics, follow the procedures as they are written. DO NOT change the procedure.

M494

 **WARNING** 

Lower all attachments to the ground or use stands to safely support the attachments before you do any maintenance or service.

M496

 **WARNING** 

Fluid under pressure can have sufficient force to penetrate the skin, causing serious personal injury. Always protect the skin and eyes from escaping fluid under pressure. Before disconnecting lines or fittings, be sure to release all pressure by operating the tractor control valves. Before applying pressure to the system, be sure all connections are tight and that hoses and connections are not damaged. If injured by escaping fluid, obtain medical assistance at once. Serious infection or reaction can develop if medical treatment is not administered immediately. Failure to comply could result in death or serious injury.

M1184

INTRODUCTION

 **WARNING** 

Hydraulic fluid escaping under pressure can have enough force to penetrate the skin. Hydraulic fluid may also infect a minor cut or opening in the skin. If injured by escaping fluid, see a doctor at once. Serious infection or reaction can result if medical treatment is not given immediately. Make sure all connections are tight and that hoses and lines are in good condition before applying pressure to the system. Relieve all pressure before disconnecting the lines or performing other work on the hydraulic system. To find a leak under pressure use a small piece of cardboard or wood. Never use hands. Failure to comply could result in death or serious injury.

M252A

 **WARNING** 

When removing hardened pins such as a pivot pin, or a hardened shaft, use a soft head (brass or bronze) hammer or use a driver made from brass or bronze and a steel head hammer.

M497

 **WARNING** 

When using a hammer to remove and install pivot pins or separate parts using compressed air or using a grinder, wear eye protection that completely encloses the eyes (approved goggles or other approved eye protectors).

M498

 **WARNING** 

Use suitable floor (service) jacks or chain hoist to raise wheels or tracks off the floor. Always block machine in placed with suitable safety stands.

M499

 **WARNING** 

When servicing or repairing the machine. Keep the shop floor and operators compartment and steps free of oil, water, grease, tools, etc. Use an oil absorbing material and or shop cloths as required. Use safe practices at all times.

M500

 **WARNING** 

Batteries contain acid and explosive gas. Explosions can result from sparks, flames or wrong cable connections. To connect the jumper cables correctly to the battery of this machine see the Operators Manual. Failure to follow these instructions can cause serious injury or death.

M504

Torque

Decimal hardware

Grade 5 bolts, nuts and studs

Size	Nm	lb in/lb ft
1/4 in	12 - 15 Nm	108 - 132 lb in
5/16 in	23 - 28 Nm	204 - 252 lb in
3/8 in	48 - 57 Nm	420 - 504 lb in
7/16 in	73 - 87 Nm	54 - 64 lb ft
1/2 in	109 - 130 Nm	80 - 96 lb ft
9/16 in	149 - 179 Nm	110 - 132 lb ft
5/8 in	203 - 244 Nm	150 - 180 lb ft
3/4 in	366 - 439 Nm	270 - 324 lb ft
7/8 in	542 - 651 Nm	400 - 480 lb ft
1 in	787 - 944 Nm	580 - 696 lb ft
1-1/8 in	1085 - 1193 Nm	800 - 880 lb ft
1-1/4 in	1519 - 1681 Nm	1120 - 1240 lb ft
1-3/8 in	1980 - 2278 Nm	1460 - 1680 lb ft
1-1/2 in	2631 - 2983 Nm	1940 - 2200 lb ft

Grade 8 bolts, nuts and studs

Size	Nm	lb in/lb ft
1/4 in	16 - 20 Nm	144 - 180 lb in
5/16 in	33 - 39 Nm	288 - 348 lb in
3/8 in	61 - 73 Nm	540 - 648 lb in
7/16 in	95 - 114 Nm	70 - 84 lb ft
1/2 in	149 - 179 Nm	110 - 132 lb ft
9/16 in	217 - 260 Nm	160 - 192 lb ft
5/8 in	298 - 358 Nm	220 - 264 lb ft
3/4 in	515 - 618 Nm	380 - 456 lb ft
7/8 in	814 - 976 Nm	600 - 720 lb ft
1 in	1220 - 1465 Nm	900 - 1080 lb ft
1-1/8 in	1736 - 1953 Nm	1280 - 1440 lb ft
1-1/4 in	2468 - 2712 Nm	1820 - 2000 lb ft
1-3/8 in	3227 - 3688 Nm	2380 - 2720 lb ft
1-1/2 in	4285 - 4827 Nm	3160 - 3560 lb ft

NOTE: Use thick nuts with Grade 8 bolts.

Metric hardware

Grade 8.8 bolts, nuts and studs

Size	Nm	lb in/lb ft
4 mm	3 - 4 Nm	24 - 36 lb in
5 mm	7 - 8 Nm	60 - 72 lb in
6 mm	11 - 12 Nm	96 - 108 lb in
8 mm	26 - 31 Nm	228 - 276 lb in
10 mm	52 - 61 Nm	456 - 540 lb in
12 mm	90 - 107 Nm	66 - 79 lb ft
14 mm	144 - 172 Nm	106 - 127 lb ft
16 mm	217 - 271 Nm	160 - 200 lb ft
20 mm	434 - 515 Nm	320 - 380 lb ft
24 mm	675 - 815 Nm	500 - 600 lb ft
30 mm	1250 - 1500 Nm	920 - 1100 lb ft
36 mm	2175 - 2600 Nm	1600 - 1950 lb ft

INTRODUCTION

Grade 10.9 bolts, nuts and studs

Size	Nm	lb in/lb ft
4 mm	4 - 5 Nm	36 - 48 lb in
5 mm	9 - 11 Nm	84 - 96 lb in
6 mm	15 - 18 Nm	132 - 156 lb in
8 mm	37 - 43 Nm	324 - 384 lb in
10 mm	73 - 87 Nm	54 - 64 lb ft
12 mm	125 - 150 Nm	93 - 112 lb ft
14 mm	200 - 245 Nm	149 - 179 lb ft
16 mm	310 - 380 Nm	230 - 280 lb ft
20 mm	610 - 730 Nm	450 - 540 lb ft
24 mm	1050 - 1275 Nm	780 - 940 lb ft
30 mm	2000 - 2400 Nm	1470 - 1770 lb ft
36 mm	3500 - 4200 Nm	2580 - 3090 lb ft

Grade 12.9 bolts, nuts and studs

Size	Nm	lb in/lb ft
Typically the torque values specified for grade 10.9 hardware can be used satisfactorily on grade 12.9 hardware.		

Steel hydraulic fittings

37° flare fitting

Tube outside diameter/Hose inside diameter		Thread size	Nm	lb in/lb ft
inch	mm			
6.4 mm	1/4 in	7/16-20 in	8 - 16 Nm	72 - 144 lb in
7.9 mm	5/16 in	1/2-20 in	11 - 22 Nm	96 - 192 lb in
9.5 mm	3/8 in	9/16-18 in	14 - 34 Nm	120 - 300 lb in
12.7 mm	1/2 in	3/4-16 in	20 - 57 Nm	180 - 504 lb in
15.9 mm	5/6 in	7/8-14 in	34 - 79 Nm	300 - 696 lb in
19.0 mm	3/4 in	1-1/16-12 in	54 - 108 Nm	40 - 80 lb ft
22.2 mm	7/8 in	1-3/16-12 in	81 - 135 Nm	60 - 100 lb ft
25.4 mm	1 in	1-5/16-12 in	102 - 158 Nm	75 - 117 lb ft
31.8 mm	1-1/4 in	1-5/8-12 in	169 - 223 Nm	125 - 165 lb ft
38.1 mm	1-1/2 in	1-7/8-12 in	285 - 338 Nm	210 - 250 lb ft

Straight threads with O-ring

Tube outside diameter/Hose inside diameter		Thread size	Nm	lb in/lb ft
inch	mm			
6.4 mm	1/4 in	7/16-20 in	16 - 26 Nm	144 - 228 lb in
7.9 mm	5/16 in	1/2-20 in	22 - 34 Nm	192 - 300 lb in
9.5 mm	3/8 in	9/16-18 in	34 - 54 Nm	300 - 480 lb in
12.7 mm	1/2 in	3/4-16 in	57 - 91 Nm	540 - 804 lb in
15.9 mm	5/6 in	7/8-14 in	79 - 124 Nm	58 - 92 lb ft
19.0 mm	3/4 in	1-1/16-12 in	108 - 174 Nm	80 - 128 lb ft
22.2 mm	7/8 in	1-3/16-12 in	136 - 216 Nm	100 - 160 lb ft
25.4 mm	1 in	1-5/16-12 in	159 - 253 Nm	117 - 187 lb ft
31.8 mm	1-1/4 in	1-5/8-12 in	224 - 357 Nm	165 - 264 lb ft
38.1 mm	1-1/2 in	1-7/8-12 in	339 - 542 Nm	250 - 400 lb ft

Split flange mounting bolts

Size	Nm	lb in/lb ft
5/16-18 in	20 - 27 Nm	180 - 240 lb in
3/8-16 in	27 - 34 Nm	240 - 300 lb in
7/16-14 in	47 - 61 Nm	420 - 540 lb in
1/2-13 in	74 - 88 Nm	55 - 65 lb ft
5/8-11 in	190 - 203 Nm	140 - 150 lb ft

INTRODUCTION

Nominal SAE dash size	O-ring face seal end		Thread size	Nm	lb in/lb ft	O-ring boss end fitting or lock nut		
	Tube outside diameter mm	in				Thread size	Nm	lb in/lb ft
-4	6.4 mm	1/4 in	9/16-18 in	14 - 16 Nm	120 - 144 lb in	7/16-20 in	23 - 27 Nm	204 - 240 lb in
-6	9.5 mm	3/8 in	11/16-16 in	24 - 27 Nm	216 - 240 lb in	9/16-18 in	34 - 41 Nm	300 - 360 lb in
-8	12.7 mm	1/2 in	13/16-16 in	43 - 54 Nm	384 - 480 lb in	3/4-16 in	61 - 68 Nm	540 - 600 lb in
-10	15.9 mm	5/8 in	1-14 in	62 - 76 Nm	552 - 672 lb in	7/8-14 in	81 - 88 Nm	60 - 65 lb ft
-12	19.0 mm	3/4 in	1-3/16-12 in	90 - 110 Nm	65 - 80 lb ft	1-1/16-12 in	115 - 122 Nm	85 - 90 lb ft
-14	22.2 mm	7/8 in	1-3/16-12 in	90 - 110 Nm	65 - 80 lb ft	1-13/16-12 in	129 - 136 Nm	95 - 100 lb ft
-16	25.41 mm	1.0 in	1-7/16-12 in	125 - 140 Nm	92 - 105 lb ft	1-5/16-12 in	156 - 169 Nm	115 - 125 lb ft
-20	31.8 mm	1-1/4 in	1-11/16-12 in	170 - 190 Nm	125 - 140 lb ft	1'-5/6-12 in	201 - 217 Nm	150 - 160 lb ft
-24	38.1 mm	1-1/2 in	2-12 in	200 - 254 Nm	150 - 180 lb ft	1-7/8-12 in	258 - 271 Nm	190 - 200 lb ft

Capacities

System	Metric	U.S.	Imperial
Engine Oil			
Magnum 215 and 245			
No filter change	19 l	5 US gal	4.2 UK gal
With filter change	21 l	5.5 US gal	4.5 UK gal
Magnum 275, 305 and 335			
No filter change	22.7 l	6 US gal	4.9 UK gal
With filter change	24.6 l	6.5 US gal	5.4 UK gal
Cooling system	26.5 l	7 US gal	5.8 UK gal
Trans/hydraulic sytem	172 l	45.5 US gal	38 UK gal
Mechanical front drive			
4 pin – 10 bolt axle*			
Differential	12.3 l	13 US qt	21.6 UK pt
Planetary (each)	1.4 l	3 US pt	2.4 UK pt
4 pin – 12 bolt axle*			
Differential	11.8 l	12.5 US qt	20.5 UK pt
Planetary (each)	3.3 l	7 US pt	5.8 UK pt
3 pin – 12 bolt axle (Magnum 335 only)			
Differential	15 l	15.8 US qt	26.4 UK pt
Planetary (each)	6 l	12.7 US pt	10.5 UK pt
Fuel tank	674 l	178 US gal	148 UK gal

* Pin and bolt quantity are determined by observing the wheel ends.



REPAIR MANUAL

DISTRIBUTION SYSTEMS



Magnum 215
Magnum 245
Magnum 275
Magnum 305
Magnum 335

Contents

DISTRIBUTION SYSTEMS - A

PRIMARY HYDRAULIC POWER SYSTEM.....	A.10.A
Magnum 215 , Magnum 245 , Magnum 275 , Magnum 305 , Magnum 335	
PRIMARY HYDRAULIC POWER SYSTEM Electro-hydraulic remote valve.....	A.10.C
Magnum 215 , Magnum 245 , Magnum 275 , Magnum 305 , Magnum 335	
PNEUMATIC SYSTEM	A.20.A
Magnum 215 , Magnum 245 , Magnum 275 , Magnum 305 , Magnum 335	
ELECTRICAL POWER SYSTEM	A.30.A
Magnum 215 , Magnum 245 , Magnum 275 , Magnum 305 , Magnum 335	
LIGHTING SYSTEM.....	A.40.A
Magnum 215 , Magnum 245 , Magnum 275 , Magnum 305 , Magnum 335	
ELECTRONIC SYSTEM	A.50.A
Magnum 215 , Magnum 245 , Magnum 275 , Magnum 305 , Magnum 335	
FAULT CODES	A.50.A
Magnum 215 , Magnum 245 , Magnum 275 , Magnum 305 , Magnum 335	



DISTRIBUTION SYSTEMS - A

PRIMARY HYDRAULIC POWER SYSTEM - 10.A

**Magnum 215
Magnum 245
Magnum 275
Magnum 305
Magnum 335**

Contents

DISTRIBUTION SYSTEMS - A

PRIMARY HYDRAULIC POWER SYSTEM - 10.A

TECHNICAL DATA

Pump drive

Torque	6
General specification	6

Pressure/flow compensating (PFC) pump

Torque	7
--------------	---

FUNCTIONAL DATA

PRIMARY HYDRAULIC POWER SYSTEM

Hydraulic schematic frame 01	8
Magnum 335 NA	
Hydraulic schematic frame 02	10
Magnum 335 NA	
Hydraulic schematic frame 03	12
Magnum 335 NA	
Hydraulic schematic frame 04	14
Magnum 335 NA	
Hydraulic schematic frame 05	16
Magnum 335 NA	
Hydraulic schematic frame 06	18
Magnum 335 NA	
Hydraulic schematic frame 07	20
Magnum 335 NA	
Hydraulic schematic frame 08	22
Magnum 335 NA	
Hydraulic schematic frame 01	24
Magnum 215 NA, Magnum 245 NA, Magnum 275 NA, Magnum 305 NA	
Hydraulic schematic frame 02	26
Magnum 215 NA, Magnum 245 NA, Magnum 275 NA, Magnum 305 NA	
Hydraulic schematic frame 03	28
Magnum 215 NA, Magnum 245 NA, Magnum 275 NA, Magnum 305 NA	
Hydraulic schematic frame 04	30
Magnum 215 NA, Magnum 245 NA, Magnum 275 NA, Magnum 305 NA	
Hydraulic schematic frame 05	32
Magnum 215 NA, Magnum 245 NA, Magnum 275 NA, Magnum 305 NA	
Hydraulic schematic frame 06	34
Magnum 215 NA, Magnum 245 NA, Magnum 275 NA, Magnum 305 NA	
Hydraulic schematic frame 07	36
Magnum 215 NA, Magnum 245 NA, Magnum 275 NA, Magnum 305 NA	
Hydraulic schematic frame 08	38
Magnum 215 NA, Magnum 245 NA, Magnum 275 NA, Magnum 305 NA	

Hydraulic schematic frame 01	40
Magnum 335 NA	
Hydraulic schematic frame 02	42
Magnum 335 NA	
Hydraulic schematic frame 03	44
Magnum 335 NA	
Hydraulic schematic frame 04	46
Magnum 335 NA	
Hydraulic schematic frame 05	48
Magnum 335 NA	
Hydraulic schematic frame 06	50
Magnum 335 NA	
Hydraulic schematic frame 07	52
Magnum 335 NA	
Hydraulic schematic frame 08	54
Magnum 335 NA	
Hydraulic schematic frame 01	56
Magnum 215 NA, Magnum 245 NA, Magnum 275 NA, Magnum 305 NA	
Hydraulic schematic frame 02	58
Magnum 215 NA, Magnum 245 NA, Magnum 275 NA, Magnum 305 NA	
Hydraulic schematic frame 03	60
Magnum 215 NA, Magnum 245 NA, Magnum 275 NA, Magnum 305 NA	
Hydraulic schematic frame 04	62
Magnum 215 NA, Magnum 245 NA, Magnum 275 NA, Magnum 305 NA	
Hydraulic schematic frame 05	64
Magnum 215 NA, Magnum 245 NA, Magnum 275 NA, Magnum 305 NA	
Hydraulic schematic frame 06	66
Magnum 215 NA, Magnum 245 NA, Magnum 275 NA, Magnum 305 NA	
Hydraulic schematic frame 07	68
Magnum 215 NA, Magnum 245 NA, Magnum 275 NA, Magnum 305 NA	
Hydraulic schematic frame 08	70
Magnum 215 NA, Magnum 245 NA, Magnum 275 NA, Magnum 305 NA	
Hydraulic symbol - Schematic components	72
Hydraulic symbol - Pressure control	78
Hydraulic symbol - Directional control	80
Hydraulic symbol - Composite	81
Hydraulic symbol - Flow control	84
Hydraulic symbol - Table of symbols	85
Power beyond	
Dynamic description	89
Component identification	91
Hydraulic pump	
Dynamic description	92
Tandem gear pump Charge and lubrication - Component identification	98
Motor return	
Component identification	99
Pump drive	
Exploded view	100
Control valve	
Priority/Regulator valve - Dynamic description	101

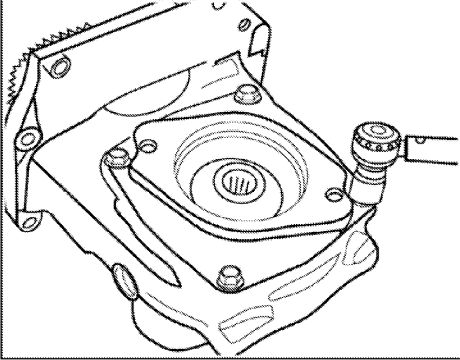
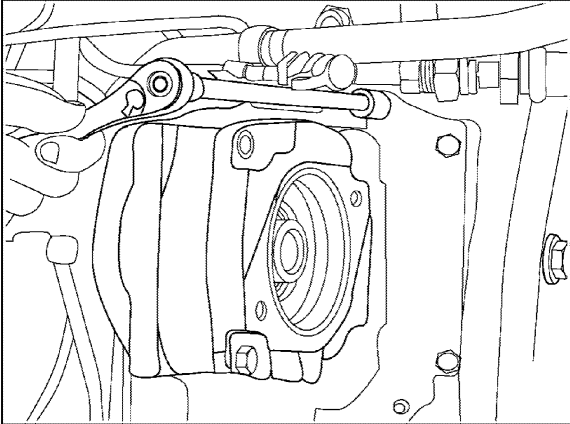
Priority/Regulator valve - Exploded view	106
Magnum 215, Magnum 245, Magnum 275, Magnum 305	
Priority/Regulator valve - Sectional view	107
Magnum 215, Magnum 245, Magnum 275, Magnum 305	
Priority/Regulator valve - Exploded view	108
Magnum 335	
Priority/Regulator valve - Sectional view	109
Magnum 335	
Pressure/flow compensating (PFC) pump	
Dynamic description	110
Standard - Component identification	113
High flow - Component identification	114
Dual flow - Component identification	115

SERVICE

Power beyond	
Flow test	116
Hydraulic pump	
Tandem gear pump Regulated pressure - Pressure test	117
Tandem gear pump Regulated pressure - Leakage test	118
Tandem gear pump Regulated pressure - Adjust	121
Tandem gear pump Regulated pressure - Flow test	122
Tandem gear pump Charge and lubrication - Pressure test	124
Tandem gear pump Charge and lubrication - Remove	126
Tandem gear pump Charge and lubrication - Install	129
Pump drive	
Remove	132
Disassemble	134
Assemble	138
End play	143
Install	144
Control valve	
Flow compensator - Adjust	146
Flow compensator - Inspect	148
Priority/Regulator valve - Remove	149
Priority/Regulator valve - Disassemble	151
Priority/Regulator valve - Assemble	158
Priority/Regulator valve - Install	165
Pressure/flow compensating (PFC) pump	
Flow test	167
Pressure test	170
Standard - Flow test	171
High flow - Flow test	173
Dual flow - Flow test	175
Remove - Standard or high flow	177
Install - Standard and high flow	182

Dual flow - Remove	187
Dual flow - Install	189
Suction screen	
Remove	191
Cleaning	195
Install	196

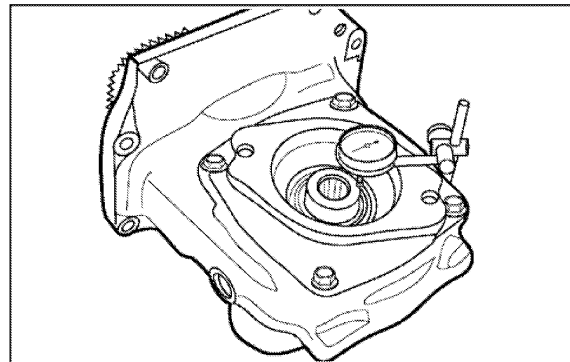
Pump drive - Torque

Component	N·m	Identification	lb-ft/lb-in
Bearing cage bolts	55 - 60 Nm	 <p data-bbox="829 659 987 678">RCPH07CCH639ABC 1</p>	41 - 44 lb ft
Pump drive mounting bolts	52 - 61 Nm	 <p data-bbox="829 1142 987 1161">RCPH07CCH631BBC 2</p>	38 - 45 lb ft

Pump drive - General specification

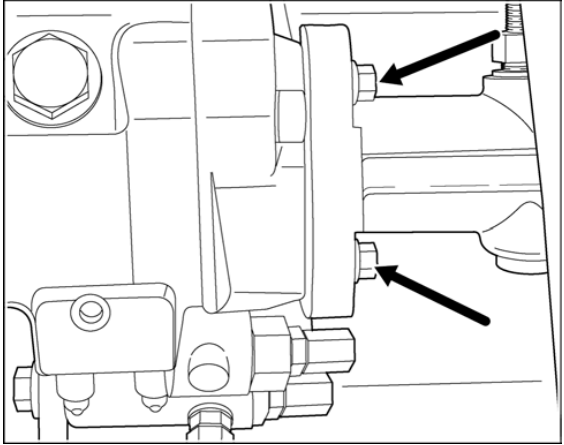
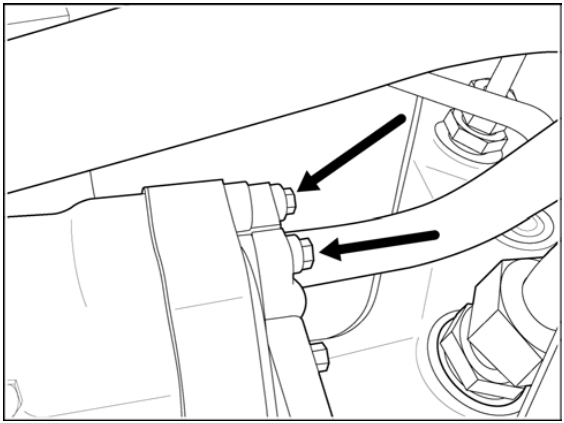
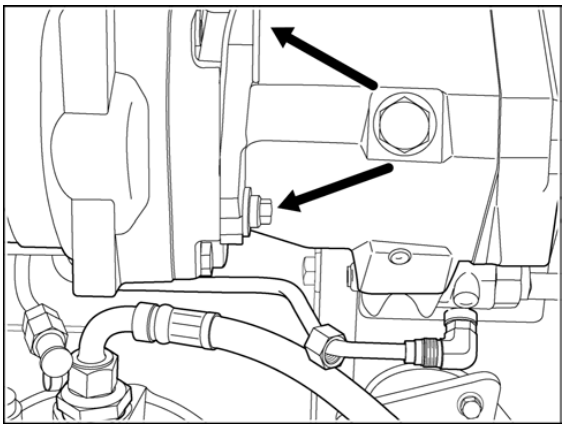
Driven gear shaft end play

End play must be 0.025 - 0.10 mm (0.001 - 0.004 in).



RCPH07CCH638ABC 1

Pressure/flow compensating (PFC) pump - Torque

Component	Nm	Identification	lb-ft
Filter head retaining bolts	62 - 80 Nm	 <p data-bbox="899 751 1049 768">RCPH07CCH095BAE 1</p>	46 - 59 lb ft
Pressure and flow compensating (PFC) pump split flange retaining bolts	40 - 60 Nm	 <p data-bbox="899 1228 1049 1245">RCPH07CCH088BAE 2</p>	30 - 44 lb ft
Pressure and flow compensating (PFC) pump mounting bolts	62 - 80 Nm	 <p data-bbox="899 1703 1049 1719">RCPH07CCH096BAE 3</p>	46 - 59 lb ft

Thank you so much for reading.
Please click the “Buy Now!”
button below to download the
complete manual.



After you pay.

You can download the most
perfect and complete manual in
the world immediately.

Our support email:

ebooklibonline@outlook.com