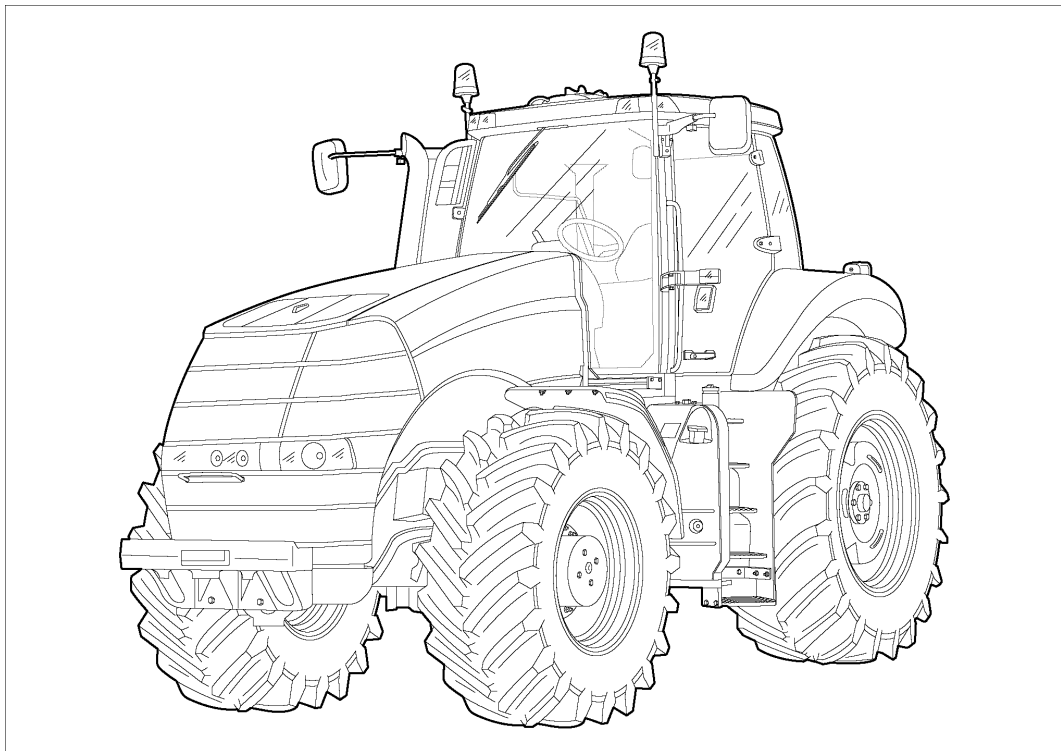




## SERVICE MANUAL



**Magnum 235**  
**Magnum 260**  
**Magnum 290**  
**Magnum 315**  
**Magnum 340**

# Contents

---

## INTRODUCTION

## HYDRAULIC, PNEUMATIC, ELECTRICAL, ELECTRONIC SYSTEMS A

PRIMARY HYDRAULIC POWER SYSTEM.....	A.10.A
PRIMARY HYDRAULIC POWER SYSTEM Electro-hydraulic remote valve.....	A.10.C
PNEUMATIC SYSTEM.....	A.20.A
ELECTRICAL POWER SYSTEM.....	A.30.A
ELECTRONIC SYSTEM.....	A.50.A
FAULT CODES.....	A.50.A

## ENGINE AND PTO IN..... B

ENGINE.....	B.10.A
FUEL AND INJECTION SYSTEM.....	B.20.A
EXHAUST SYSTEM Emissions control.....	B.40.B
ENGINE COOLANT SYSTEM.....	B.50.A

## TRANSMISSION, DRIVE AND PTO OUT..... C

POWER COUPLING Fixed coupling.....	C.10.B
POWER COUPLING Drop box.....	C.10.E
TRANSMISSION Powershift.....	C.20.E
REAR PTO Hydraulic.....	C.40.C
BAR AXLE.....	C.60.A

## AXLES, BRAKES AND STEERING..... D

FRONT AXLE.....	D.10.A
2WD-4WD SYSTEM Hydraulic.....	D.14.C
STEERING Hydraulic.....	D.20.C
SERVICE BRAKE Hydraulic.....	D.30.C
PARKING BRAKE Hydraulic.....	D.32.C
BRAKE CONNECTION Hydraulic.....	D.34.C
BRAKE CONNECTION Pneumatic.....	D.34.E
SUSPENSION Hydraulic.....	D.40.C

FRAME AND CAB .....	E
SHIELD .....	E.20.A
USER CONTROLS AND SEAT .....	E.32.A
USER CONTROLS AND SEAT Operator seat .....	E.32.C
ENVIRONMENT CONTROL Heating, ventilation and air-conditioning.....	E.40.D
HITCH AND WORKING TOOL .....	H
HITCH Rear hitch.....	H.10.C



## INTRODUCTION

# Contents

---

## INTRODUCTION

Safety rules .....	3
Torque - Minimum tightening torques for normal assembly .....	5
Capacities .....	10

---

## Safety rules

### Standard safety precautions

Be informed and notify personnel of the laws in force regulating safety, and provide documentation available for consultation.

- Keep working areas as clean as possible.
- Ensure that working areas are provided with emergency boxes. They must be clearly visible and always contain adequate sanitary equipment.
- Fire extinguishers must be properly identified and always be clear of obstructions. Their efficiency must be checked on a regular basis and personnel must be trained on proper interventions and priorities.
- Keep all emergency exits free of obstructions and clearly marked.
- Smoking in working areas subject to fire danger must be strictly prohibited.

### Prevention of injury

- Wear suitable work attire and safety glasses with no jewelry such as rings and chains when working close to engines and equipment in motion.
- Wear safety gloves and goggles when performing the following operations:
  - Topping off or changing lubrication oils.
  - Using compressed air or liquids at a pressure greater than **2 bar (29 psi)**.
- Wear a safety helmet when working close to hanging loads or equipment working at head level.
- Always wear safety shoes and fitting clothes.
- Use protection cream for hands.
- Change wet clothes as soon as possible.
- In the presence of voltages exceeding **48 - 60 V**, verify the efficiency of the ground and mass electrical connections. Ensure that hands and feet are dry and use isolating foot boards. Workers should be properly trained to work with electricity.
- Do not smoke or start an open flame close to batteries and any fuel material.
- Place soiled rags with oil, diesel fuel or solvents in specially provided anti-fire containers.
- Do not use any tool or equipment for any use other than what it was originally intended for. Serious injury may occur.
- If running an engine indoors, make sure there is a sufficient exhaust fan in use to eliminate exhaust fumes.

### During maintenance

- Never open the filler cap of the cooling system when the engine is hot. High temperature liquid at operating pressure could result in serious danger and risk of burn. Wait until the temperature decreases under **50 °C (122 °F)**.
- Never add coolant to an overheated engine and use only appropriate liquids.
- Always work when the engine is turned off. Certain circumstances require maintenance on a running engine. Be aware of all the risks involved with such an operation.
- Always use adequate and safe containers for engine fluids and used oil.
- Keep engine clean of any spilled fluids such as oil, diesel fuel, and or chemical solvents.
- Use of solvents or detergents during maintenance may emit toxic vapors. Always keep working areas aerated. Wear a safety mask if necessary.
- Do not leave soiled rags that may contain any flammable substances close to the engine.
- Always use caution when starting an engine after any work has been performed. Be prepared to cut off intake air in case of engine runaway.
- Never disconnect the batteries while the engine is running.

- Disconnect the batteries prior to performing any work on the equipment.
- Disconnect the batteries to place a load on them with a load tester.
- After any work is performed, verify that the battery clamp polarity is correct and that the clamps are tight and safe from accidental short circuit and oxidation.
- Before disconnecting any pipelines (pneumatic, hydraulic, fuel pipes, etc.), verify that all pressure has been released. Take all necessary precautions bleeding and draining residual pressure. Always wear the proper safety equipment.
- Do not alter the lengths of any wires.
- Do not connect any electronic service tool to the engine electrical equipment unless specifically approved by Iveco.
- Do not modify the fuel system or hydraulic system unless approved by Iveco, Any unauthorized modification will compromise warranty assistance and may affect engine operation and life span.

For engine equipped with an electronic control unit

- Do not weld on any part of the equipment without removing the control unit.
- Remove the in case of work requiring heating over **80 °C (176 °F)**.
- Do not paint the components and the electronic connections.
- Do not alter any data filed in the electronic control unit driving the engine. Any manipulation or alteration of electronic components will void engine warranty assistance and may affect the correct working order and life span of the engine.

### **Respect of the Environment**

- Respect of the environment should be of primary importance. Take all necessary precautions to ensure personnel's safety and health.
- Inform the personnel of the laws regarding the dispensing of used engine fluids.
- Handle batteries with care, storing them in a well ventilated environment and within anti-acid container.

## Torque - Minimum tightening torques for normal assembly

### METRIC NON-FLANGED HARDWARE

NOM. SIZE	CLASS 8.8 BOLT and CLASS 8 NUT		CLASS 10.9 BOLT and CLASS 10 NUT		LOCKNUT CL.8 W/CL8.8 BOLT	LOCKNUT CL.10 W/CL10.9 BOLT
	UNPLATED	PLATED W/ZnCr	UNPLATED	PLATED W/ZnCr		
M4	2.2 N·m (19 lb in)	2.9 N·m (26 lb in)	3.2 N·m (28 lb in)	4.2 N·m (37 lb in)	2 N·m (18 lb in)	2.9 N·m (26 lb in)
M5	4.5 N·m (40 lb in)	5.9 N·m (52 lb in)	6.4 N·m (57 lb in)	8.5 N·m (75 lb in)	4 N·m (36 lb in)	5.8 N·m (51 lb in)
M6	7.5 N·m (66 lb in)	10 N·m (89 lb in)	11 N·m (96 lb in)	15 N·m (128 lb in)	6.8 N·m (60 lb in)	10 N·m (89 lb in)
M8	18 N·m (163 lb in)	25 N·m (217 lb in)	26 N·m (234 lb in)	35 N·m (311 lb in)	17 N·m (151 lb in)	24 N·m (212 lb in)
M10	37 N·m (27 lb ft)	49 N·m (36 lb ft)	52 N·m (38 lb ft)	70 N·m (51 lb ft)	33 N·m (25 lb ft)	48 N·m (35 lb ft)
M12	64 N·m (47 lb ft)	85 N·m (63 lb ft)	91 N·m (67 lb ft)	121 N·m (90 lb ft)	58 N·m (43 lb ft)	83 N·m (61 lb ft)
M16	158 N·m (116 lb ft)	210 N·m (155 lb ft)	225 N·m (166 lb ft)	301 N·m (222 lb ft)	143 N·m (106 lb ft)	205 N·m (151 lb ft)
M20	319 N·m (235 lb ft)	425 N·m (313 lb ft)	440 N·m (325 lb ft)	587 N·m (433 lb ft)	290 N·m (214 lb ft)	400 N·m (295 lb ft)
M24	551 N·m (410 lb ft)	735 N·m (500 lb ft)	762 N·m (560 lb ft)	1016 N·m (750 lb ft)	501 N·m (370 lb ft)	693 N·m (510 lb ft)

**NOTE:** M4 through M8 hardware torque specifications are shown in pound-inches. M10 through M24 hardware torque specifications are shown in pound-feet.

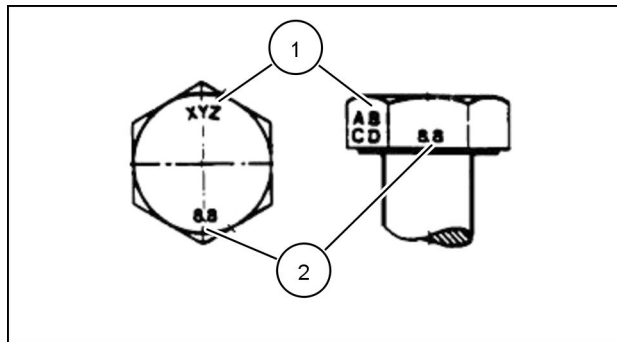


**METRIC FLANGED HARDWARE**

NOM. SIZE	CLASS 8.8 BOLT and CLASS 8 NUT		CLASS 10.9 BOLT and CLASS 10 NUT		LOCKNUT CL.8 W/CL8.8 BOLT	LOCKNUT CL.10 W/CL10.9 BOLT
	UNPLATED	PLATED W/ZnCr	UNPLATED	PLATED W/ZnCr		
M4	2.4 N·m (21 lb in)	3.2 N·m (28 lb in)	3.5 N·m (31 lb in)	4.6 N·m (41 lb in)	2.2 N·m (19 lb in)	3.1 N·m (27 lb in)
M5	4.9 N·m (43 lb in)	6.5 N·m (58 lb in)	7.0 N·m (62 lb in)	9.4 N·m (83 lb in)	4.4 N·m (39 lb in)	6.4 N·m (57 lb in)
M6	8.3 N·m (73 lb in)	11 N·m (96 lb in)	12 N·m (105 lb in)	16 N·m (141 lb in)	7.5 N·m (66 lb in)	11 N·m (96 lb in)
M8	20 N·m (179 lb in)	27 N·m (240 lb in)	29 N·m (257 lb in)	39 N·m (343 lb in)	18 N·m (163 lb in)	27 N·m (240 lb in)
M10	40 N·m (30 lb ft)	54 N·m (40 lb ft)	57 N·m (42 lb ft)	77 N·m (56 lb ft)	37 N·m (27 lb ft)	53 N·m (39 lb ft)
M12	70 N·m (52 lb ft)	93 N·m (69 lb ft)	100 N·m (74 lb ft)	134 N·m (98 lb ft)	63 N·m (47 lb ft)	91 N·m (67 lb ft)
M16	174 N·m (128 lb ft)	231 N·m (171 lb ft)	248 N·m (183 lb ft)	331 N·m (244 lb ft)	158 N·m (116 lb ft)	226 N·m (167 lb ft)
M20	350 N·m (259 lb ft)	467 N·m (345 lb ft)	484 N·m (357 lb ft)	645 N·m (476 lb ft)	318 N·m (235 lb ft)	440 N·m (325 lb ft)
M24	607 N·m (447 lb ft)	809 N·m (597 lb ft)	838 N·m (618 lb ft)	1118 N·m (824 lb ft)	552 N·m (407 lb ft)	

**IDENTIFICATION**

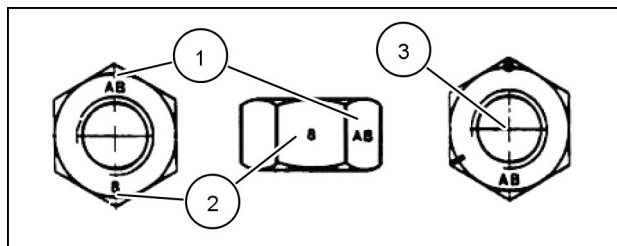
**Metric Hex head and carriage bolts, classes 5.6 and up**



20083680 1

1. Manufacturer's Identification
2. Property Class

**Metric Hex nuts and locknuts, classes 05 and up**



20083681 2

1. Manufacturer's Identification
2. Property Class
3. Clock Marking of Property Class and Manufacturer's Identification (Optional), i.e. marks **60 °** apart indicate Class 10 properties, and marks **120 °** apart indicate Class 8.

**INCH NON-FLANGED HARDWARE**

NOMINAL SIZE	SAE GRADE 5 BOLT and NUT		SAE GRADE 8 BOLT and NUT		LOCKNUT GrB W/ Gr5 BOLT	LOCKNUT GrC W/ Gr8 BOLT
	UN-PLATED or PLATED SILVER	PLATED W/ZnCr GOLD	UN-PLATED or PLATED SILVER	PLATED W/ZnCr GOLD		
1/4	8 N·m (71 lb in)	11 N·m (97 lb in)	12 N·m (106 lb in)	16 N·m (142 lb in)	8.5 N·m (75 lb in)	12.2 N·m (109 lb in)
5/16	17 N·m (150 lb in)	23 N·m (204 lb in)	24 N·m (212 lb in)	32 N·m (283 lb in)	17.5 N·m (155 lb in)	25 N·m (220 lb in)
3/8	30 N·m (22 lb ft)	40 N·m (30 lb ft)	43 N·m (31 lb ft)	57 N·m (42 lb ft)	31 N·m (23 lb ft)	44 N·m (33 lb ft)
7/16	48 N·m (36 lb ft)	65 N·m (48 lb ft)	68 N·m (50 lb ft)	91 N·m (67 lb ft)	50 N·m (37 lb ft)	71 N·m (53 lb ft)
1/2	74 N·m (54 lb ft)	98 N·m (73 lb ft)	104 N·m (77 lb ft)	139 N·m (103 lb ft)	76 N·m (56 lb ft)	108 N·m (80 lb ft)
9/16	107 N·m (79 lb ft)	142 N·m (105 lb ft)	150 N·m (111 lb ft)	201 N·m (148 lb ft)	111 N·m (82 lb ft)	156 N·m (115 lb ft)
5/8	147 N·m (108 lb ft)	196 N·m (145 lb ft)	208 N·m (153 lb ft)	277 N·m (204 lb ft)	153 N·m (113 lb ft)	215 N·m (159 lb ft)
3/4	261 N·m (193 lb ft)	348 N·m (257 lb ft)	369 N·m (272 lb ft)	491 N·m (362 lb ft)	271 N·m (200 lb ft)	383 N·m (282 lb ft)
7/8	420 N·m (310 lb ft)	561 N·m (413 lb ft)	594 N·m (438 lb ft)	791 N·m (584 lb ft)	437 N·m (323 lb ft)	617 N·m (455 lb ft)
1	630 N·m (465 lb ft)	841 N·m (620 lb ft)	890 N·m (656 lb ft)	1187 N·m (875 lb ft)	654 N·m (483 lb ft)	924 N·m (681 lb ft)

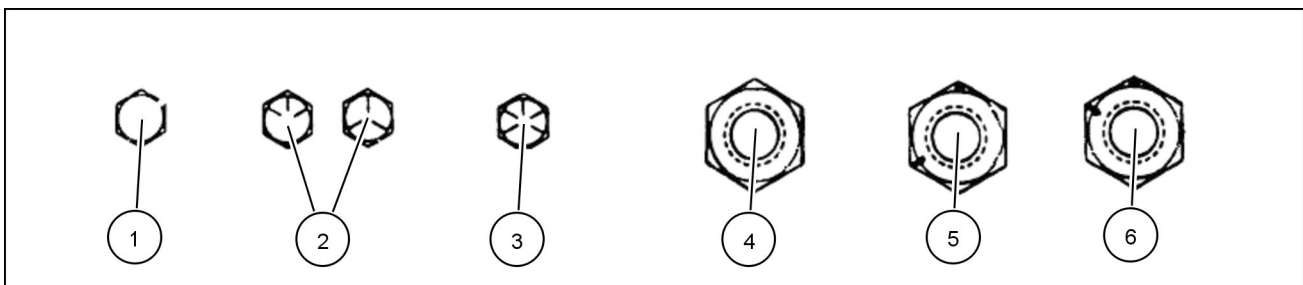
**NOTE:** For Imperial Units, *1/4 in* and *5/16 in* hardware torque specifications are shown in pound-inches. *3/8 in* through *1 in* hardware torque specifications are shown in pound-feet.

**INCH FLANGED HARDWARE**

NOM- INAL SIZE	SAE GRADE 5 BOLT and NUT		SAE GRADE 8 BOLT and NUT		LOCKNUT GrF W/ Gr5 BOLT	LOCKNUT GrG W/ Gr8 BOLT
	UNPLATED or PLATED SILVER	PLATED W/ZnCr GOLD	UNPLATED or PLATED SILVER	PLATED W/ZnCr GOLD		
1/4	9 N·m (80 lb in)	12 N·m (106 lb in)	13 N·m (115 lb in)	17 N·m (150 lb in)	8 N·m (71 lb in)	12 N·m (106 lb in)
5/16	19 N·m (168 lb in)	25 N·m (221 lb in)	26 N·m (230 lb in)	35 N·m (310 lb in)	17 N·m (150 lb in)	24 N·m (212 lb in)
3/8	33 N·m (25 lb ft)	44 N·m (33 lb ft)	47 N·m (35 lb ft)	63 N·m (46 lb ft)	30 N·m (22 lb ft)	43 N·m (32 lb ft)
7/16	53 N·m (39 lb ft)	71 N·m (52 lb ft)	75 N·m (55 lb ft)	100 N·m (74 lb ft)	48 N·m (35 lb ft)	68 N·m (50 lb ft)
1/2	81 N·m (60 lb ft)	108 N·m (80 lb ft)	115 N·m (85 lb ft)	153 N·m (113 lb ft)	74 N·m (55 lb ft)	104 N·m (77 lb ft)
9/16	117 N·m (86 lb ft)	156 N·m (115 lb ft)	165 N·m (122 lb ft)	221 N·m (163 lb ft)	106 N·m (78 lb ft)	157 N·m (116 lb ft)
5/8	162 N·m (119 lb ft)	216 N·m (159 lb ft)	228 N·m (168 lb ft)	304 N·m (225 lb ft)	147 N·m (108 lb ft)	207 N·m (153 lb ft)
3/4	287 N·m (212 lb ft)	383 N·m (282 lb ft)	405 N·m (299 lb ft)	541 N·m (399 lb ft)	261 N·m (193 lb ft)	369 N·m (272 lb ft)
7/8	462 N·m (341 lb ft)	617 N·m (455 lb ft)	653 N·m (482 lb ft)	871 N·m (642 lb ft)	421 N·m (311 lb ft)	594 N·m (438 lb ft)
1	693 N·m (512 lb ft)	925 N·m (682 lb ft)	979 N·m (722 lb ft)	1305 N·m (963 lb ft)	631 N·m (465 lb ft)	890 N·m (656 lb ft)

**IDENTIFICATION**

**Inch Bolts and free-spinning nuts**

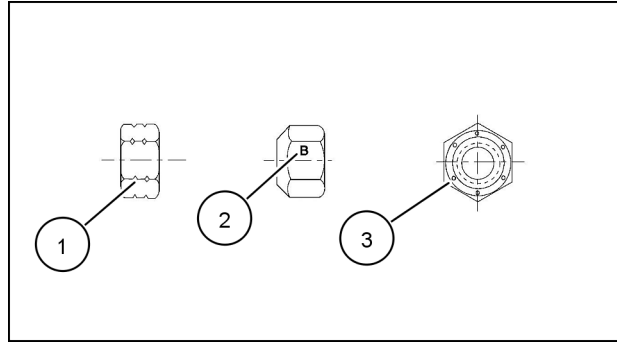


20083682 3

**Grade Marking Examples**

SAE Grade Identification			
1	Grade 2 - No Marks	4	Grade 2 Nut - No Marks
2	Grade 5 - Three Marks	5	Grade 5 Nut - Marks 120 ° Apart
3	Grade 8 - Five Marks	6	Grade 8 Nut - Marks 60 ° Apart

**Inch Lock Nuts, All Metal (Three optional methods)**



20090268 4

**Grade Identification**

Grade	Corner Marking Method (1)	Flats Marking Method (2)	Clock Marking Method (3)
Grade A	No Notches	No Mark	No Marks
Grade B	One Circumferential Notch	Letter B	Three Marks
Grade C	Two Circumferential Notches	Letter C	Six Marks

## Capacities

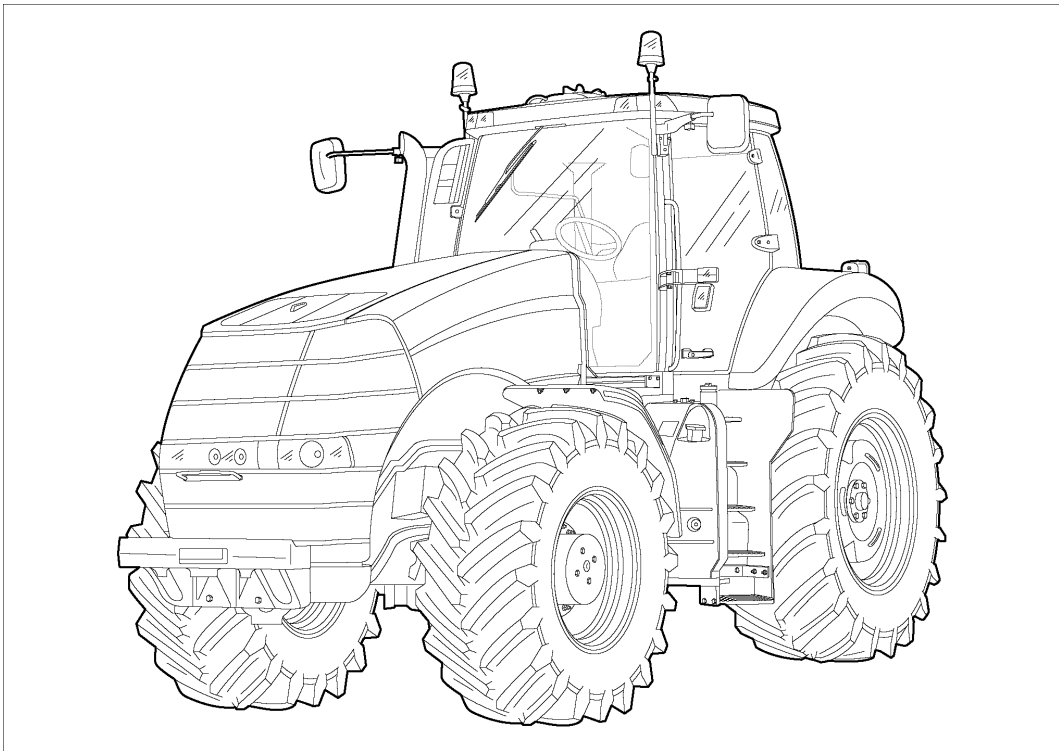
System	Metric	U.S.	Imperial
<b>9.0 l engine</b>			
Engine oil – no filter change	<b>25 l</b>	<b>6.6 US gal</b>	<b>5.5 UK gal</b>
Engine oil – with filter change	<b>25 l</b>	<b>6.6 US gal</b>	<b>5.5 UK gal</b>
Cooling system	<b>26.5 l</b>	<b>7 US gal</b>	<b>5.8 UK gal</b>
Transmission/hydraulic system	<b>172 l</b>	<b>45.5 US gal</b>	<b>38 UK gal</b>
Mechanical front drive			
4 pin – <b>100 mm (4 in)</b> hub length standard axle*			
Differential	<b>11.8 l</b>	<b>12 US qt</b>	<b>21.6 UK pt</b>
Planetary (each)	<b>1.4 l</b>	<b>3 US pt</b>	<b>2.4 UK pt</b>
4 pin – <b>180 mm (7 in)</b> hub length heavy duty axle*			
Differential	<b>11.8 l</b>	<b>12.5 US qt</b>	<b>20.5 UK pt</b>
Planetary (each)	<b>3.3 l</b>	<b>7 US pt</b>	<b>5.8 UK pt</b>
3 pin – <b>250 mm (10 in)</b> hub length heavy duty class 5 axle			
Differential	<b>15 l</b>	<b>15.8 US qt</b>	<b>26.4 UK pt</b>
Planetary (each)	<b>6 l</b>	<b>12.7 US pt</b>	<b>10.5 UK pt</b>
Front PTO	<b>3.05 l</b>	<b>3.2 US qt</b>	--
DEF/AdBLUE® tank	<b>87 l</b>	<b>23 US gal</b>	<b>23.8 UK gal</b>
Fuel tank	<b>636 l</b>	<b>168 US gal</b>	<b>140 UK gal</b>

\* Pin quantity is determined by observing the wheel ends.



## **SERVICE MANUAL**

**HYDRAULIC, PNEUMATIC, ELECTRICAL, ELECTRONIC SYSTEMS**



**Magnum 235**  
**Magnum 260**  
**Magnum 290**  
**Magnum 315**  
**Magnum 340**

# Contents

---

## HYDRAULIC, PNEUMATIC, ELECTRICAL, ELECTRONIC SYSTEMS - A

<b>PRIMARY HYDRAULIC POWER SYSTEM</b> .....	<b>A.10.A</b>
Magnum 235 , Magnum 260 , Magnum 290 , Magnum 315 , Magnum 340	
<b>PRIMARY HYDRAULIC POWER SYSTEM Electro-hydraulic remote valve</b> .....	<b>A.10.C</b>
Magnum 235 , Magnum 260 , Magnum 290 , Magnum 315 , Magnum 340	
<b>PNEUMATIC SYSTEM</b> .....	<b>A.20.A</b>
Magnum 235 , Magnum 260 , Magnum 290 , Magnum 315 , Magnum 340	
<b>ELECTRICAL POWER SYSTEM</b> .....	<b>A.30.A</b>
Magnum 235 , Magnum 260 , Magnum 290 , Magnum 315 , Magnum 340	
<b>ELECTRONIC SYSTEM</b> .....	<b>A.50.A</b>
Magnum 235 , Magnum 260 , Magnum 290 , Magnum 315 , Magnum 340	
<b>FAULT CODES</b> .....	<b>A.50.A</b>
Magnum 235 , Magnum 260 , Magnum 290 , Magnum 315 , Magnum 340	



# **HYDRAULIC, PNEUMATIC, ELECTRICAL, ELECTRONIC SYSTEMS - A**

## **PRIMARY HYDRAULIC POWER SYSTEM - 10.A**

**Magnum 235  
Magnum 260  
Magnum 290  
Magnum 315  
Magnum 340**



# Contents

---

## HYDRAULIC, PNEUMATIC, ELECTRICAL, ELECTRONIC SYSTEMS - A

### PRIMARY HYDRAULIC POWER SYSTEM - 10.A

#### TECHNICAL DATA

Pressure/flow compensating (PFC) pump	
Torque .....	4

#### FUNCTIONAL DATA

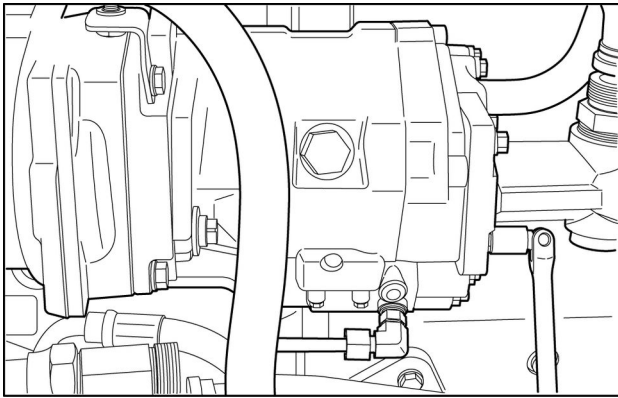
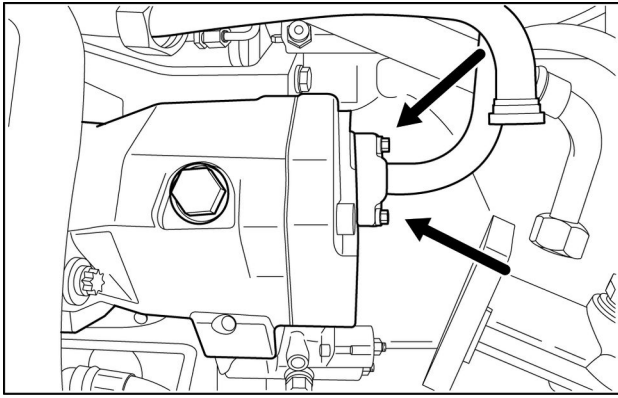
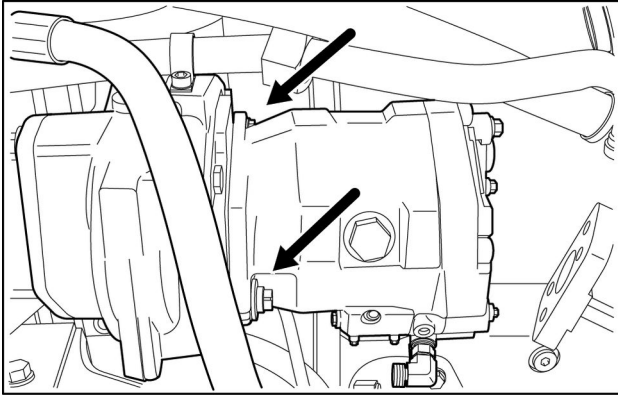
<b>PRIMARY HYDRAULIC POWER SYSTEM</b>	
Hydraulic schematic frame 01 .....	6
Hydraulic symbol - Schematic components .....	9
Hydraulic symbol - Pressure control .....	15
Hydraulic symbol - Directional control .....	17
Hydraulic symbol - Composite .....	18
Hydraulic symbol - Flow control .....	21
Hydraulic symbol - Table of symbols .....	22
<b>Power beyond</b>	
Dynamic description .....	26
<b>Hydraulic pump</b>	
Dynamic description .....	28
Tandem gear pump Charge and lubrication - Component identification .....	38
<b>Motor return</b>	
Component identification .....	39
<b>Control valve</b>	
Priority/Regulator valve - Dynamic description .....	40
Priority/Regulator valve - Exploded view .....	43
Priority/Regulator valve - Sectional view .....	45
<b>Pressure/flow compensating (PFC) pump</b>	
Dynamic description .....	47
Standard - Component identification .....	50
High flow - Component identification .....	52
Dual flow - Component identification - Pump layout .....	54

#### SERVICE

Hydraulic pump	
----------------	--

Tandem gear pump Charge and lubrication - Pressure test .....	56
Tandem gear pump Charge and lubrication - Remove .....	58
Tandem gear pump Charge and lubrication - Install .....	62
<b>Suction screen</b>	
Remove .....	65
Cleaning .....	70
Install .....	71
<b>Pump drive</b>	
Remove .....	75
Disassemble .....	77
Assemble .....	81
End play .....	86
Install .....	87
<b>Control valve</b>	
Priority/Regulator valve - Pressure test .....	89
Priority/Regulator valve - Leakage test .....	90
Priority/Regulator valve - Adjust .....	93
Priority/Regulator valve - Remove .....	94
Priority/Regulator valve - Disassemble .....	97
Priority/Regulator valve - Assemble .....	101
Priority/Regulator valve - Install .....	104
Flow compensator - Adjust - Low pressure standby setting .....	107
Flow compensator - Inspect .....	109
<b>Pressure/flow compensating (PFC) pump</b>	
Standard - Flow test - At the remote couplers .....	110
Dual flow - Flow test - At the remote coupler .....	112
Standard - Flow test At the pump outlet .....	114
High flow - Flow test - At the pump outlet .....	117
Dual flow - Flow test - At the pump outlet .....	120
Pressure test - High pressure standby setting .....	123
Remove - Standard or high flow .....	124
Install - Standard and high flow .....	127
Dual flow - Remove .....	131
Dual flow - Install .....	133

## Pressure/flow compensating (PFC) pump - Torque

Component	Nm	Identification	lb-ft
Filter head retaining bolts	62 - 80 Nm	 <p style="text-align: center;">RCPH11CCH433AAA 1</p>	46 - 59 lb ft
Pressure and flow compensating (PFC) pump split flange retaining bolts	40 - 60 Nm	 <p style="text-align: center;">RCPH11CCH435AAA 2</p>	30 - 44 lb ft
Pressure and flow compensating (PFC) pump mounting bolts	62 - 80 Nm	 <p style="text-align: center;">RCPH11CCH437AAA 3</p>	46 - 59 lb ft

Thank you so much for reading.  
Please click the “Buy Now!”  
button below to download the  
complete manual.



After you pay.

You can download the most  
perfect and complete manual in  
the world immediately.

Our support email:

[ebooklibonline@outlook.com](mailto:ebooklibonline@outlook.com)