

RB455
RB465
RB565
Round Baler

SERVICE MANUAL

Part number 84546102
1st edition English
July 2014



Contents

INTRODUCTION

Rear axle system.....	27
[27.550] Non-powered rear axle.....	27.1
Power Take-Off (PTO).....	31
[31.201] Power Take-Off (PTO) drive shaft.....	31.1
[31.220] Gearbox.....	31.2
[31.225] Clutches.....	31.3
Hydraulic systems.....	35
[35.000] Hydraulic systems.....	35.1
[35.540] Bale density circuit.....	35.2
[35.550] Tailgate circuit.....	35.3
[35.560] Pickup lift circuit.....	35.4
[35.565] Cutter control circuit.....	35.5
[35.569] Drop floor circuit.....	35.6
[35.570] Bale eject circuit.....	35.7
Hitches, drawbars, and implement couplings.....	37
[37.100] Drawbars and towing hitches.....	37.1
[37.162] Front hitch.....	37.2
Electrical systems.....	55
[55.000] Electrical system.....	55.1
[55.100] Harnesses and connectors.....	55.2
[55.422] Ejection/Unloading control system.....	55.3
[55.433] Twine and net cutting and tying or wrapping.....	55.4
[55.629] Pressing/Bale formation electrical control.....	55.5
[55.630] Bale density system.....	55.6
[55.640] Electronic modules.....	55.7

[55.DTC] FAULT CODES	55.8
Product feeding	60
[60.220] Pickup	60.1
[60.222] Wide pickup with over shot feeder	60.2
[60.223] Wide pickup with rotor cutter/feeder	60.3
[60.260] Rotor	60.4
Pressing - Bale formation.....	62
[62.140] Bale formation.....	62.1
[62.141] Belt de-clutch.....	62.2
[62.150] Starter roll	62.3
[62.153] Stationary roll	62.4
[62.155] Stripper roll	62.5
[62.160] Floor roll.....	62.6
[62.170] Sledge.....	62.7
Tying/Wrapping/Twisting.....	68
[68.170] Net wrapper	68.1
[68.180] Twine wrapper.....	68.2
Ejection	70
[70.280] Bale ejector components.....	70.1
Lubrication system.....	71
[71.460] Grease lubrication system	71.1
[71.480] Oiler system.....	71.2
Platform, cab, bodywork, and decals.....	90
[90.105] Machine shields and guards	90.1
[90.108] Decals and plates	90.2



INTRODUCTION

Contents

INTRODUCTION

Foreword - Important notice regarding equipment servicing	3
Safety rules	4
Safety rules	5
Safety rules - Ecology and the environment	15
Safety rules – Machine service access	16
Safety signs (*)	17
Safety signs or informational decals - Safety signs (*)	45
Special tools - Fabricated tools	79
Torque – Minimum tightening torques for normal assembly	86
Torque - Standard torque data for hydraulics	91
Basic instructions - Roller chains	93
Basic instructions - Shop and assembly	97
Basic instructions – Welding on the machine	99
Basic instructions – Cleaning the machine	100
Basic instructions – Removing crop debris	101
General specification - Consumables chart	103
General specification – RB455, RB465 (*)	104
General specification – RB565 (*)	118
Product identification	127
Product identification - Machine orientation	128

(*) See content for specific models

Foreword - Important notice regarding equipment servicing

All repair and maintenance work listed in this manual must be carried out only by qualified dealership personnel, strictly complying with the instructions given, and using, whenever possible, the special tools.

Anyone who performs repair and maintenance operations without complying with the procedures provided herein shall be responsible for any subsequent damages.

The manufacturer and all the organizations of its distribution chain, including - without limitation - national, regional, or local dealers, reject any responsibility for damages caused by parts and/or components not approved by the manufacturer, including those used for the servicing or repair of the product manufactured or marketed by the manufacturer. In any case, no warranty is given or attributed on the product manufactured or marketed by the manufacturer in case of damages caused by parts and/or components not approved by the manufacturer.

The information in this manual is up-to-date at the date of the publication. It is the policy of the manufacturer for continuous improvement. Some information could not be updated due to modifications of a technical or commercial type, or changes to the laws and regulations of different countries.

In case of questions, refer to your CASE IH Sales and Service Networks.

Safety rules


Personal safety





This is the safety alert symbol. It is used to alert you to potential personal injury hazards. Obey all safety messages that follow this symbol to avoid possible death or injury.

Throughout this manual you will find the signal words **DANGER**, **WARNING**, and **CAUTION** followed by special instructions. These precautions are intended for the personal safety of you and those working with you.

Read and understand all the safety messages in this manual before you operate or service the machine.

 **DANGER** indicates a hazardous situation that, if not avoided, will result in death or serious injury.

 **WARNING** indicates a hazardous situation that, if not avoided, could result in death or serious injury.

 **CAUTION** indicates a hazardous situation that, if not avoided, could result in minor or moderate injury.

FAILURE TO FOLLOW DANGER, WARNING, AND CAUTION MESSAGES COULD RESULT IN DEATH OR SERIOUS INJURY.

Machine safety

NOTICE: *Notice indicates a situation that, if not avoided, could result in machine or property damage.*

Throughout this manual you will find the signal word **Notice** followed by special instructions to prevent machine or property damage. The word **Notice** is used to address practices not related to personal safety.

Information

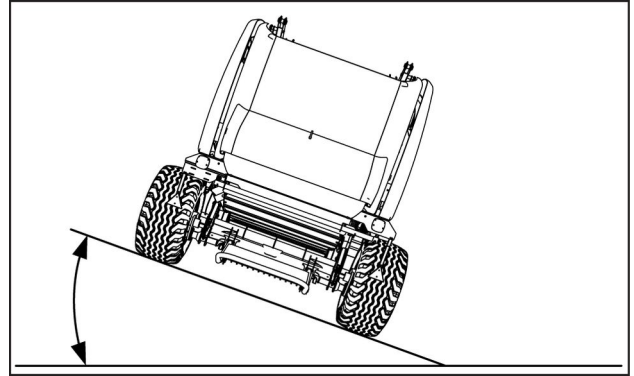
NOTE: *Note indicates additional information that clarifies steps, procedures, or other information in this manual.*

Throughout this manual you will find the word **Note** followed by additional information about a step, procedure, or other information in the manual. The word **Note** is not intended to address personal safety or property damage.

Safety rules

⚠ General safety rules ⚠

NOTICE: Use caution when operating the machine on any sloping terrain. A raised tailgate or full bale in the bale chamber will change the center of gravity of the machine. The machine can tip or roll over when near ditches, embankments, or uneven surfaces.



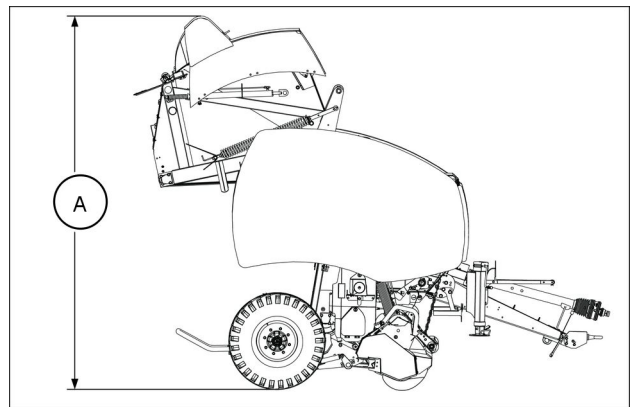
NHVM12RB00300AA 1

NOTICE: High voltage power lines may require additional and significant clearance for safety due to the possibility of arcing between the power line and the baler.

Pay attention to overhead power lines and hanging obstacles.

When determining the needed clearance below obstacles and power lines, understand that when the baler is in the configuration described and shown, the distance (A), from a level ground surface to the highest point of the spare net roll storage box is **4.8 m (16 ft)**.

- Equipped with large diameter wheels and tires
- Equipped with a spare net roll storage box
- The tailgate fully raised.
- The bale chamber is empty.



NHIL13RB00053FA 2

As the tractor driver and baler operator, never permit ride-along passengers on the tractor, in the tractor cab, or anyone to ride on the baler while being towed or operated.

Never operate the machine under the influence of alcohol, drugs, or while otherwise impaired.

Hydraulic oil or diesel fuel leaking under pressure can penetrate the skin, causing serious injury and infection.

- DO NOT use your hand to check for leaks. Use a piece of cardboard or paper.
- Stop engine, remove the key and relieve the pressure before connecting or disconnecting fluid lines.
- Make sure all components are in good condition and tighten all connections before starting the engine or pressurizing the system.
- If hydraulic fluid or diesel fuel penetrates the skin, seek medical attention immediately.
- Continuous long term contact with hydraulic fluid may cause skin cancer.
 - Avoid long term contact with hydraulic fluid.
 - Wash the skin promptly with soap and water after contact with hydraulic fluid.

Keep clear of moving parts. Loose clothing, jewelry, watches, long hair, and other loose or hanging items can entangle in moving parts.

Wear protective equipment when appropriate.

DO NOT attempt to remove material from any part of the machine while the machine is operating, any of the baler components are in motion, or while the tractor engine is running.

Before you operate the machine, install and securely close all of the machine guards and shields. Make sure that all the guards and that all the shields are in good condition. Never operate the machine with shields open or removed. Always close the access doors and/or access panels before operating the machine.

Make sure that no bystanders or pets are within the machine operating area. The machine and/or moving component on the machine can strike or crush bystanders or pets. **DO NOT** allow anyone to enter the work area.

A raised tailgate can fall unexpectedly and crush persons underneath. Never allow anyone to enter the area underneath a raised tailgate during operation.

General maintenance safety

Keep the area used for servicing the machine clean and dry. Clean up spilled fluids.

Only service the machine on a firm level surface.

WARNING

Fall hazard!

Remove wrapped crop debris from the forming rollers by clearing the bale chamber, removing belt tension, and engaging the tailgate lockout valves. Remove wrapped debris from inside the bale chamber or tailgate. Do not climb on the exterior of the baler to remove wrapped debris.

Failure to comply could result in death or serious injury.

W0039A

If you cannot reach certain areas of the machine from ground level, use a suitable ladder or other appropriate means to gain access. Do not climb on the machine for any reason. To access and clean the bale forming rolls, see **Basic instructions – Cleaning the machine ()** or **Basic instructions – Removing crop debris ()**.

Install and close all the removed or opened guards and all the removed or open shields after servicing the machine.

Close all the access doors and install all panels after servicing the machine.

Do not attempt to clean, lubricate, clear obstructions, or adjust the machine while the machine operating, any of the baler components are in motion, or while the tractor engine is running.

Always make sure that working area is clear of tools, parts, other persons, and pets before you start operating the machine.

Always engage the tailgate lockout valve when the tailgate is open for service. A disengaged tailgate hydraulic lockout valve or unsupported hydraulic cylinders can lose pressure and drop the tailgate causing a crushing hazard. Do not leave the machine in a raised tailgate position while parked or during service, unless the tailgate is securely supported and/or the tailgate lockout valve engaged.

Jack or lift the machine only at jack or lift points indicated in this operator's manual.

Incorrect towing procedures can cause accidents. When towing a disabled machine follow the towing procedures in this operator's manual. Use only rigid tow bars.

Stop the engine, remove the key, and relieve pressure before disconnecting or connecting fluid lines.

Stop the engine and remove the key before disconnecting or connecting electrical connections.

Replace damaged or worn tubes, hoses, electrical wiring, etc.

Some electrical components and/or some hydraulic lines may become hot during operation. Take care when servicing such components. Allow the component surfaces to cool before handling the components or disconnecting hot components. Wear protective equipment when appropriate.

When welding on or in close proximity to this machine, follow the instructions in this operator's manual. See "Wheels and tires" safety rules that follow in this chapter.

Always disconnect the battery before welding on the machine. Always wash your hands after handling battery components.

Wheels and tires

You **MUST** completely remove the tire from the wheel or rim prior to welding the wheel or rim. **DO NOT** weld to a wheel or rim until you completely remove the tire from the wheel or rim. Inflated tires can generate a gas mixture with the air that can ignite from high temperatures from welding procedures performed on the wheel or rim. Deflating the tire or loosening the tire on the rim (breaking the bead) will **NOT** eliminate the hazard. This condition can exist whether tires are inflated or deflated.

Make sure that you correctly inflate the tires within the manufacturer's specifications. Do not exceed recommended load or pressure. Follow instructions in the manual for proper tire inflation.

Never inflate tires using flammable gases, as this can result in an explosion and injury to bystanders.

Deflate the tire before removing any objects that are have punctured into the tire tread.

Tires are heavy. Handling tires without proper equipment could cause death or serious injury.

Always have a qualified tire technician service the tires and wheels. If a tire has lost all pressure, take the tire and wheel to a tire shop or your dealer for service. Explosive separation of the tire can cause serious injury.

When installing wheels:

1. Install all the wheel lug hardware finger tight or slightly tighter with a socket set.
2. Torque the wheel lug hardware incrementally and in a crisscross pattern for the best equal torque distribution. Torque the wheel lug hardware to the specifications for the tire size as listed in the wheel torque table. See **Rear axle - General specification - Tire configurations (27.550)**.
3. Torque the wheel lug hardware daily until the torque specification is maintained.

⚠ Driving on public roads and general transportation safety ⚠

Comply with local laws and regulations.

Use appropriate lighting to meet local regulations.

Make sure that the Slow-Moving Vehicle (SMV) emblem is visible.

Use safety chains for trailed equipment when provided with machine or equipment.

When transporting the machine on a transport trailer, make sure that you secure the machine properly for safe transport and that you cover the SMV on the machine.

Be aware of overhead structures or power lines and make sure the machine and/or attachments can pass safely under.

Maintain complete control and machine stability by careful regulation of the travel speed at all times.

Slow down and signal before turning.

Pull over to allow faster traffic to pass.

Follow the correct towing procedure for equipment with or without brakes.

⚠ Fire and explosion prevention ⚠

General safety

Fuel or oil leaked or spilled on hot surfaces or electrical components can cause a fire.

Crop materials, trash, debris, bird nests, or flammable material can ignite on hot surfaces.

Always have a fire extinguisher on or near the machine.

Make sure that you maintain and service the fire extinguisher(s) according to the manufacturer's instructions.

At least once each day and at the end of the day, remove all trash and debris from the machine especially around hot components such as engine, transmission, exhaust, battery, etc. More frequent cleaning of your machine may be necessary depending on the operating environment and conditions.

At least once each day, remove debris accumulation around moving components such as bearings, pulleys, belts, gears, cleaning fan, etc. More frequent cleaning of your machine may be necessary depending on the operating environment and conditions.

Inspect the electrical system for loose connections or frayed insulation. Repair or replace loose or damaged parts.

Do not store oily rags or other flammable material on the machine.

Do not weld or flame cut any items that contain flammable material. Clean items thoroughly with nonflammable solvents before welding or flame-cutting.

Do not expose the machine to flames, burning brush, or explosives.

Promptly investigate any unusual smells or odors that may occur during operation of the machine.

Baler specific – Personal safety, prevention, and control

▲ WARNING

Fire hazard! Crop materials are flammable and present a high risk of fire. Frequently remove accumulated crop or wrapping material from the machine. Inspect the machine for oil leaks and overheated bearings or other moving parts. Immediately service the machine when required; DO NOT continue to use machine until service is complete. Failure to comply could result in death or serious injury.

W0392A

▲ WARNING

Fire hazard! Avoid injury and/or machine damage! Do not continue to operate the machine if there is any suspected indication of roller bearing failure. Stop the machine, and check for and replace overheated and/or failed bearings. Failure to comply could result in death or serious injury.

W1161A

▲ WARNING

Burn hazard! Stop baling immediately if you notice a scorched odor, an unusual sound, or the sight of smoke or flames. Do not attempt to extinguish a fire that is too far advanced. Failure to comply could result in death or serious injury.

W0186A

Accumulated dry crop material in the baler presents a high risk of fire during operation.

To minimize risk of fire:

1. Frequently check for accumulated crop material, twine, and/or net wrapping around all baler moving parts, especially bearings that may be subject to overheating. Remove these flammable materials. Service overheating components immediately.
2. Attach a pressurized water fire extinguisher to the baler.

If a fire occurs:

1. Eject the bale immediately. Open the baler tailgate to eject any crop material from the bale chamber, and then drive away from this material.
2. Position the tractor and baler at least **9 m (30 ft)** upwind from the flames to prevent the fire from overtaking the tractor.
3. Perform the following steps only if they can be done safely:
 - A. Open the tailgate.
 - B. Engage the tailgate lockout valve.
4. Use a fire extinguisher to spray at the base of the flames, and/or use another water source to cool the adjacent parts. Do not position yourself under an open tailgate because the tailgate could fall if the baler is on fire.

Always have a fire extinguisher easily accessible on or near the machine. A recommendation is to equip the machine with a large capacity water-type extinguisher. The water can cool hot parts to prevent a fire. In case of fire, the water will drown flames, cool hot parts, and prevent rekindling of a fire. Train all operators on the proper use of the fire extinguisher. Make sure that you maintain and service the fire extinguisher(s) according to the manufacturer's instructions.

- Establish a "No-Smoking" policy around the baler or when baling for operators or bystanders. Use extreme care if smoking around the baler.
- Stop baling immediately if noticeable changes in performance occur, or a scorched odor, an unusual sound, or the sight of smoke or flames are present. Poor performance may be indication of parts failure. Stopping immediately can limit damage done and reduce parts temperature below a point of fire ignition.
- Eject twine tied or net wrapped bales promptly. Do not use the baler to transport bales from the field.

INTRODUCTION

- Park the baler on pavement, bare ground, or an area surrounded by bare ground. Use extreme care if necessary to park in a field of dry crop or stubble. Do not park the baler near wet baled bales due to the possible occurrence of spontaneous combustion. Do not bring a baler into a building structure or leave the baler unattended with a bale inside the bale chamber.
- At least once each day, immediately after baling operations, check the bearings of all the bale forming rollers for overheating, which is an indication of bearing failure.
- At least once each day, remove debris accumulation around moving components such as rollers, bearings, pulleys, belts, gears, cleaning fan, etc. More frequent cleaning of your machine may be necessary depending on the operating environment and conditions. Crop materials, trash, debris, bird nests, or flammable material can ignite on hot surfaces.

NOTICE: Avoid high pressure power-washing adjacent to the bearings to prevent damaging bearing seals.

- Inspect the electrical system for loose connections or frayed insulation. Repair or replace loose or damaged parts.
- Fuel or oil leaks, or spills on hot surfaces or electrical components can cause a fire. Do not store oily rags or other flammable material on the machine.
- Do not expose the machine to flames, burning brush or explosives.
- If service operations require using a welder, cutting torch, or grinder on the baler, follow these guidelines to prevent a fire:
 1. Park the baler on pavement or bare ground.
 2. Remove chaff and debris to minimize exposure of flammable material to sparks; if you cannot remove the chaff and the debris, soak the material thoroughly with water before starting service. Clean items thoroughly with nonflammable solvent before welding, flame cutting, or grinding.
 3. Make sure that there is a fully charged fire extinguisher or other water source ready for immediate use.
 4. Have an assistant watching for fire while welding, flame cutting, or grinding.
 5. Allow parts to cool and verify that no sparks or slag has started a smoldering fire before leaving the service area and resuming baling.

Fire extinguisher kits (Optional – available from your Service Parts dealer)

The fire extinguisher kit provides a means of mounting a fire extinguisher in a readily accessible location on the front right-hand side of the baler for emergency use on fires involving ordinary combustibles, such as crop material or residue, wood, cloth, and paper.

Each kit installs with standard hand tools, and no drilling or welding is required.

NOTE: The portable extinguisher is an extinguisher that is extremely effective, simple to use, inexpensive, and easy to recharge. The extinguisher has a **9.46 l (2.5 US gal)** capacity, and uses air or nitrogen as an expellant. The cylinder and handle/lever material is of stainless steel. The valve assembly material is brass.

⚠ WARNING

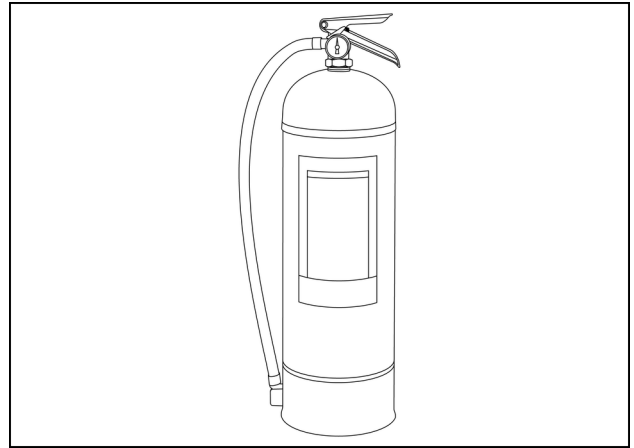
Equipment failure could cause accident or injury!

The supplied fire extinguisher must be serviced according to the instructions in this manual.

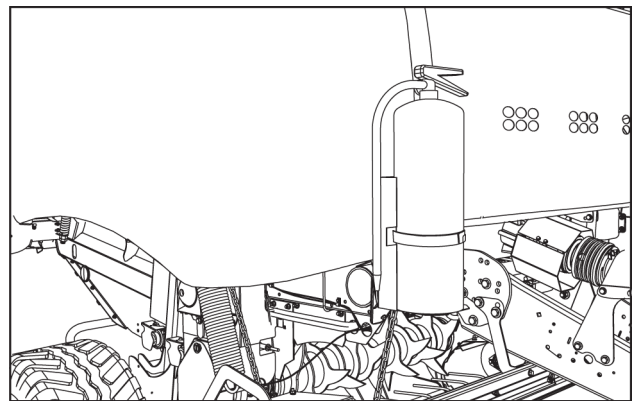
Failure to comply could result in death or serious injury.

W1162A

NOTICE: Failure to have the extinguisher professionally serviced may result in the extinguisher not operating properly or safely as a fire fighting tool for Class A type fires. The supplied fire extinguisher is **NOT** charged and is **NOT** functional to extinguish fires until the following is completed. Have the fire extinguisher inspected, serviced, charged, and maintained by a trained professional and in accordance to the requirements of local authorities having jurisdiction.



93095514 3



NHVM12RB00357AA 4

General battery safety

Always wear eye protection when working with batteries.

Do not create sparks or have open flame near battery.

Ventilate when charging or using in an enclosed area.

Disconnect all connections from the battery's negative (–) terminal first. Connect the removed battery's negative (–) terminal connections to the battery last.

When welding on the machine, disconnect both terminals of the battery.

Do not weld, grind, or smoke near a battery.

When using auxiliary batteries or connecting jumper cables to start the engine, use the procedure shown in the operator's manual. Do not short across terminals.

Follow manufacturer's instructions when storing and handling batteries.

Battery post, terminals, and related accessories contain lead and lead compounds. Wash hands after handling. This is a California Proposition 65 warning.

Battery acid causes burns. Batteries contain sulfuric acid. Avoid ingestion or contact with skin, eyes, or clothing.

Antidotes:

- External contact: Flush with water.
- Eyes contact: Flush with water for 15 minutes and seek medical attention immediately.
- Internal contact: Drink large quantities of water or milk. Do not induce vomiting. Seek medical attention immediately.

Keep the battery out of the reach of children and other unauthorized persons.

Power Take-Off (PTO)

PTO-driven machinery can cause death or serious injury. Before working on or near the PTO shaft or servicing or clearing the driven machine, put the PTO lever in the disengage position, stop the engine, and remove the key.

Whenever a PTO is in operation, a guard must be in place to prevent death or injury to the operator or bystanders.

When doing stationary PTO work, keep clear of all moving parts and make sure appropriate guards are in place.

Never use a spline adapter:

- Match the right tractor PTO spline and speed with the PTO driveshaft provided with an implement. This will assure proper geometry and operating speed.
- Never operate **540 RPM** implements at **1000 RPM**.
- Never operate **1000 RPM** implements at **540 RPM**.

Power Take-Off (PTO) safety booklet

When you receive this baler, a Power Take-Off (PTO) safety booklet attached to the PTO shaft, provides specific PTO safety instructions. Read, understand, and keep this Power Take-Off (PTO) safety booklet for future reference.

Read, understand, and keep this booklet for future reference.

Reflectors and warning lights

You must use flashing amber warning lights when operating on public roads, except where such use is prohibited by law.

⚠ Personal Protective Equipment (PPE) ⚠

Wear Personal Protective Equipment (PPE) such as protective clothing, eye protection, hearing protection, dust mask, hard hat, heavy gloves, work boots, and/or any other PPE that provides for the safety and protection of the individual operating this equipment.



NHIL13RB00001AA 5

⚠ Do Not Operate tag ⚠

⚠ WARNING

Risk of harm during maintenance of the machine!
Before you start servicing the machine, attach a DO NOT OPERATE warning tag to the machine in a visible area.
Failure to comply could result in death or serious injury.

W1242A

Before you start servicing the machine, attach a 'Do Not Operate' warning tag to the machine in an area that will be visible.

1. Obtain DO NOT OPERATE tags from your CASE IH Service Parts Dealer.
2. Attach a DO NOT OPERATE tag to the machine in an area that is clearly visible whenever the machine is not operating properly and/or requires service.
3. Complete the DO NOT OPERATE tag information for the reason or maintenance hazard for the DO NOT OPERATE tag that you are attaching. Describe the malfunction or service required. Validate the reason for attaching the DO NOT OPERATE tag by signing your name in the designated area on the DO NOT OPERATE tag.
4. Only the person who signed and attached the DO NOT OPERATE tag should remove the DO NOT OPERATE tag, after validating the repairs or services are complete.

⚠ Hazardous chemicals ⚠

If exposure or contact with hazardous chemicals occurs, you may incur serious injury. The fluids, lubricants, paints, adhesives, coolant, etc. required for the function of your machine can be hazardous. They may be attractive and harmful to domestic animals as well as humans.

A Material Safety Data Sheet (MSDS) provides information about the chemical substances within a product, safe handling, storage procedures, first aid measures, and procedures to take in the event of a spill or accidental release. An MSDS is available from your dealer.

Before you service your machine check the MSDS for each lubricant, fluid, etc. used in this machine. This information indicates the associated risks and will help you service the machine safely. Follow the information in the MSDS, on manufacturer containers, as well as the information in this manual when servicing the machine.

Dispose of all fluids, filters, and containers in an environmentally safe manner according to local laws and regulations. Check with local environmental and recycling centers or your dealer for correct disposal information.

You must store fluids and filters in accordance with local laws and regulations. Use only appropriate containers for the storage of chemicals or petrochemical substances.

Keep hazardous chemicals out of the reach of children or other unauthorized persons.

Additional precautions are required for applied chemicals. Obtain complete information from the manufacturer or distributor of the chemicals before using them.

 Electrical storm safety 

Do not operate the machine during an electrical storm.

If you are on the ground or operating a machine during an electrical storm:

- Stay away from machinery and equipment.
- Seek shelter in a permanent, protected structure.
- Remain in the cab during operation if an electrical storm strikes.
- Do not leave the cab or operator's platform.
- Do not make contact with the ground or objects outside the machine.

Safety rules - Ecology and the environment

Soil, air, and water are vital factors of agriculture and life in general. When legislation does not yet rule the treatment of some of the substances required by advanced technology, sound judgment should govern the use and disposal of products of a chemical and petrochemical nature.

NOTE: *The following are recommendations that may be of assistance:*

- Become acquainted with and ensure that you understand the relative legislation applicable to your country.
- Where no legislation exists, obtain information from suppliers of oils, filters, batteries, fuels, antifreeze, cleaning agents, etc., with regard to their effect on man and nature and how to safely store, use, and dispose of these substances.
- Agricultural consultants will, in many cases, be able to help you as well.

Helpful hints

- Avoid filling tanks using cans or inappropriate pressurized fuel delivery systems that may cause considerable spillage.
- In general, avoid skin contact with all fuels, oils, acids, solvents, etc. Most of them contain substances that may be harmful to your health.
- Modern oils contain additives. Do not burn contaminated fuels and or waste oils in ordinary heating systems.
- Avoid spillage when draining off used engine coolant mixtures, engine, gearbox and hydraulic oils, brake fluids, etc. Do not mix drained brake fluids or fuels with lubricants. Store them safely until they can be disposed of in a proper way to comply with local legislation and available resources.
- Do not allow coolant mixtures to get into the soil. Collect and dispose of coolant mixtures properly.
- Do not open the air-conditioning system yourself. It contains gases that should not be released into the atmosphere. Your CASE IH dealer or air conditioning specialist has a special extractor for this purpose and will have to recharge the system properly.
- Repair any leaks or defects in the engine cooling or hydraulic system immediately.
- Do not increase the pressure in a pressurized circuit as this may lead to a component failure.
- Protect hoses during welding as penetrating weld splatter may burn a hole or weaken them, allowing the loss of oils, coolant, etc.

Safety rules – Machine service access

⚠ WARNING

Fall hazard!

Remove wrapped crop debris from the forming rollers by clearing the bale chamber, removing belt tension, and engaging the tailgate lockout valve. Remove wrapped debris from inside the bale chamber or tailgate. Do not climb on the exterior of the baler to remove wrapped debris.

Failure to comply could result in death or serious injury.

W0039B

Do not climb on the machine for any reason.

If you cannot reach certain areas of the machine from ground level, use a suitable ladder or other appropriate means to gain access.

Service the machine on a firm level surface.

Safety signs

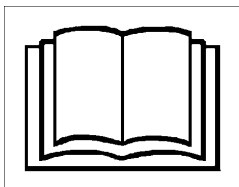
RB565

LA --- NA

The following safety signs attached to your machine as a guide for your safety and for those working with you. Walk around the machine and note the content and location of these safety signs before operating your machine.

Keep safety signs clean and legible. Clean safety signs with a soft cloth, water, and gentle detergent. Do not use solvents, gasoline, or other harsh chemicals, as these products may damage or remove the safety signs.

Replace all damaged, missing, over painted, or illegible safety signs. If you replace a part with an applied safety sign, make sure that you install a new safety sign of the same part number onto the new part and in the same location. See your dealer for replacement of safety signs.



The intent of safety signs that display the “Read the Operator’s Manual” symbol is to direct the operator to the operator’s manual for further information regarding maintenance, adjustments, or procedures for particular areas of the machine. When a safety sign displays this symbol, refer to the appropriate page of the operator’s manual.

Acronyms used in this section

The following acronyms are used for clarification or differentiation of baler model configurations.

- Power Take-Off (PTO)
- Over Shot Feeder (OSF)

Safety sign placement locations overview

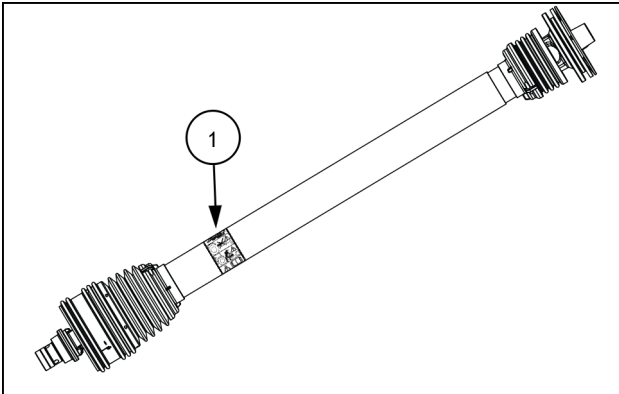
In the following overview illustrations of the safety sign placement location, not all models and configurations are illustrated. In cases when the safety sign placement varies from one model and configuration to another, the call-out number on the illustration will be followed by an asterisk (*) as in the Example: **(12*)**.

The call-out numbers on the illustrations match the call-out number assigned to the individually illustrated safety signs in the “Safety sign description” pages that follow these illustrations. Example: (Illustration call-out) **(1)** = Safety sign description call-out number **(1)**.

In cases when the asterisk is included with the call-out number, the “Location” portion of the safety sign description defines the model, configuration, general location or component part on which the safety sign is placed, and a close-up image of where the safety sign is located for the described location.

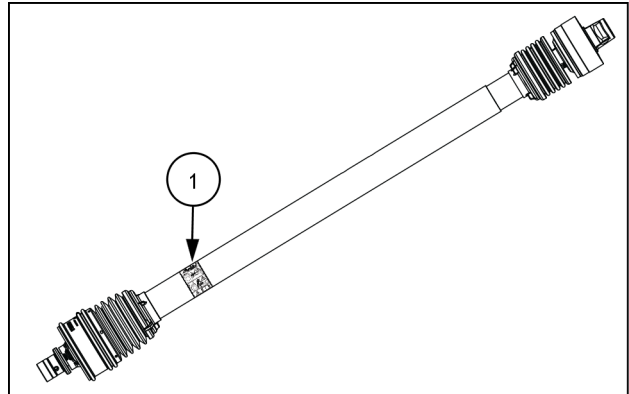
Safety signs placement guide

Power Take-Off (PTO) placements



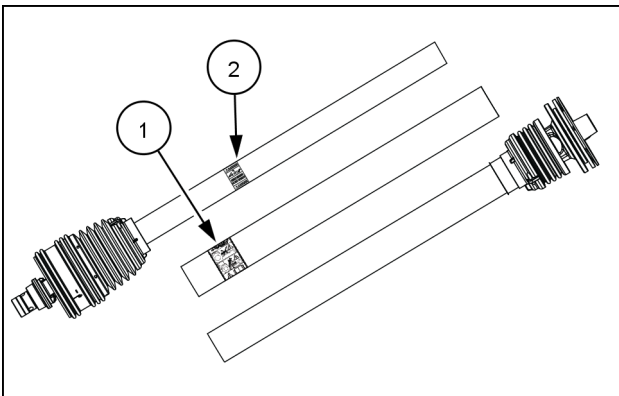
NHIL13RB00869AA 1

Power Take-Off (PTO) with a friction disc slip clutch



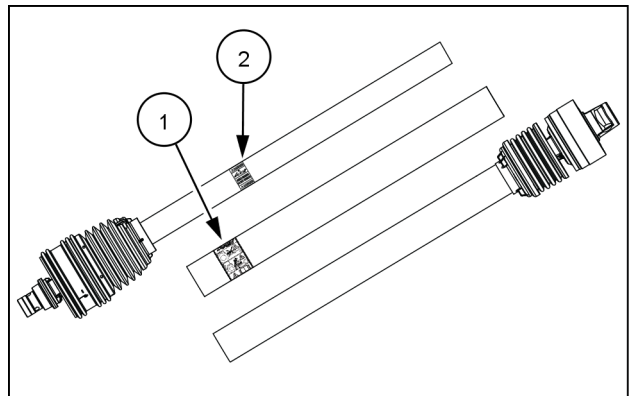
NHIL13RB00870AA 2

Power Take-Off (PTO) with a cut-out clutch



NHIL13RB00871AA 3

PTO (friction disc slip clutch) with outer plastic shield removed from the tractor end of the PTO

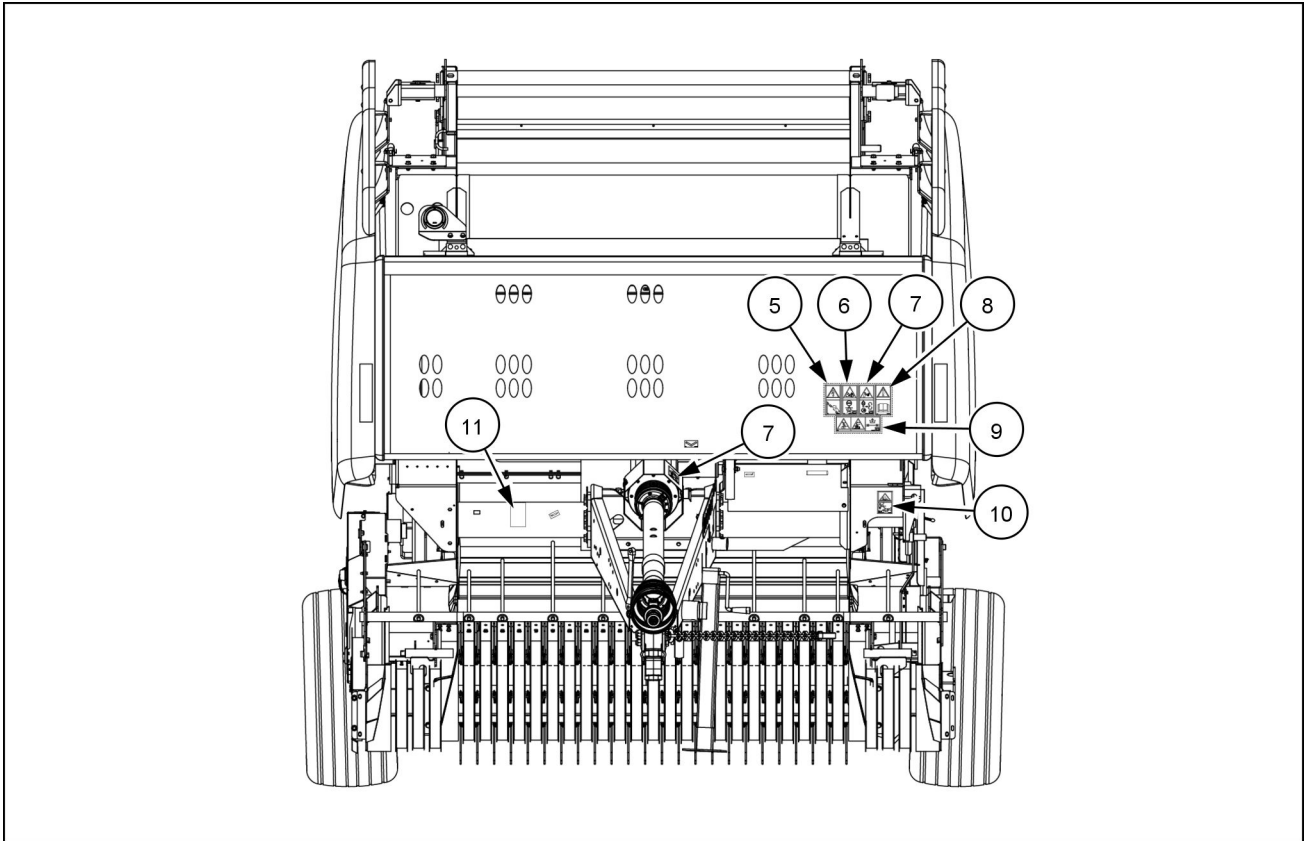


NHIL13RB00872AA 4

PTO (cut-out clutch) with outer plastic shield removed from the tractor end of the PTO

Baler placements

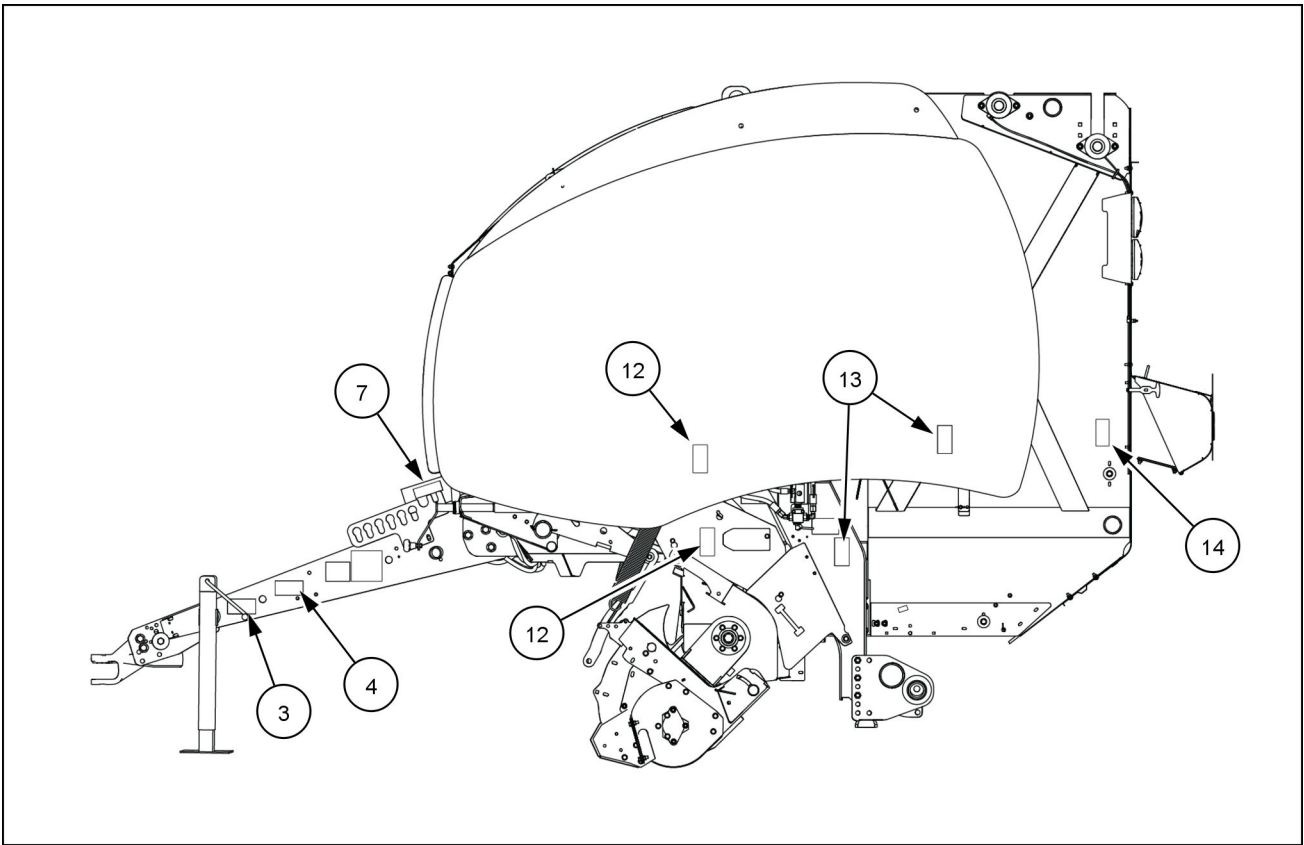
NOTE: The following overview images depict the safety sign locations as they exist on a RB565 baler equipped with an OSF 2.0 m wide pickup. The asterisk (*) denotes that this specific decal exists in a close proximity location on a baler with a different configuration. See the decal placement descriptions later in this section for the exact decal locations.



NHIL13RB01318FA 5

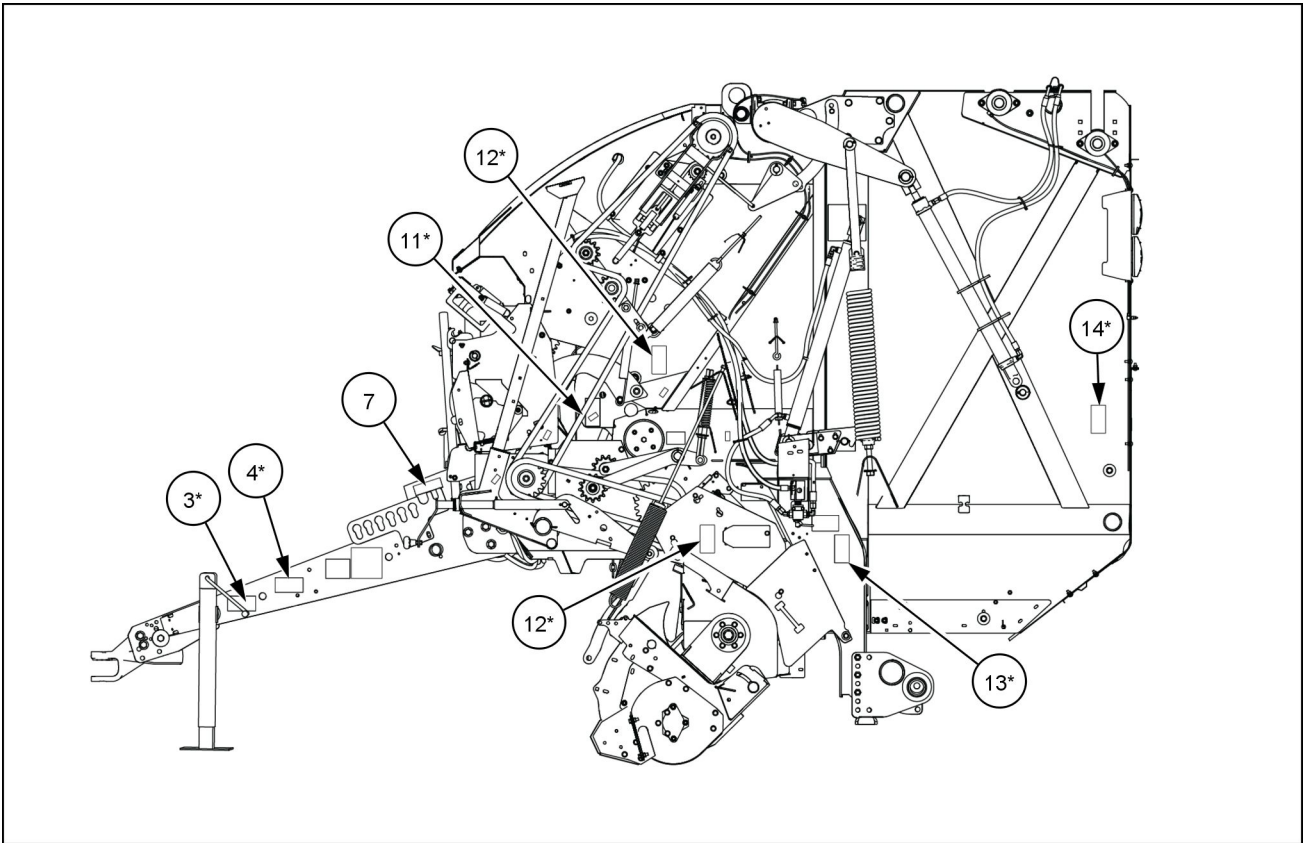
Front view

INTRODUCTION



NHIL13RB03008FA 6

Left-hand view – OSF baler – With side shields



NHIL13RB03594FA 7

Left-hand view – OSF baler – Without side shields

Thank you so much for reading.
Please click the “Buy Now!”
button below to download the
complete manual.



After you pay.

You can download the most
perfect and complete manual in
the world immediately.

Our support email:

ebooklibonline@outlook.com