

**CASE**

PROFESSIONAL PARTNER

## **SERVICE MANUAL**

# **4HK1-6HK1 ISUZU ENGINES**

9-44061 NA  
Replaces 9-44060 NA

Revised 05-2006  
Issued 02-2006



---

# SERVICE MANUAL

---

**4HK1-6HK1  
ISUZU ENGINES**

---

---

CNH America, LLC reserves the right to make improvements in design or changes in specifications at any time without incurring any obligation to install them on units previously sold.

All data given in this publication is subject to production variations. Dimensions and weights are only approximate. Illustrations do not necessarily show products in standard condition. For exact information about any particular product, please consult your Dealer

REVISION HISTORY			
Issue	Issue Date	Applicable Machines	Remarks
First Edition	02-2006	4HK1- 6HK1 ISUZU ENGINES	9-44060 NA
Revision 1	05-2006	4HK1- 6HK1 ISUZU ENGINES	9-44061 NA

# INDEX OF CHAPTERS

GENERAL INFORMATION .....	0A
ENGINE MECHANICAL .....	1A
COOLING SYSTEM .....	1B
FUEL SYSTEM.....	1C
ENGINE ELECTRICAL.....	1D
EXHAUST SYSTEM AND TURBOCHARGER.....	1F

**NOTE:** CNH Company reserves the right to make changes in the specification and design of the machine without prior notice and without incurring any obligation to modify units previously sold.

The description of the models shown in this manual has been made in accordance with the technical specifications known as of the date of design of this document.

## IN-2 Introduction

---

### UNITS OF MEASURE

This manual adopts the units of measure based on International System.

The MKSA system units of measure are indicated within brackets after the units of measure of the International System.

Example: 24.5 MPa (250 kgf/cm<sup>2</sup>)

The following table converts the International System units of measure in some of the main units belonging to other system.

Quantity	To convert from (IS)	Into (Others)	Multiply by	Quantity	To convert from (IS)	Into (Others)	Multiply by
Lenght	mm	in	0.03937	Pressure	MPa	kgf/cm <sup>2</sup>	10.197
	mm	ft	0.003281		MPa	psi	145.0
Volume	L	US gal	0.2642	Power	kW	CV-PS	1.360
	L	US qt	1.057		kW	HP	1.341
	m <sup>3</sup>	yd <sup>3</sup>	1.308	Temperature	°C	°F	°C x 1.8 + 32
Mass	kg	lb	2.205	Speed	km/h	mph	0.6214
Force	N	kgf	0.10197		min <sup>-1</sup>	rpm	1.0
	N	lbf	0.2248	Capacity	L/min	US gpm	0.2642
Torque	N.m	kgf.m	0.10197		mL/rev	cc/rev	1.0
	N.m	lbf.ft	0.7375				

# GENERAL INFORMATION

## General Information

### Contents

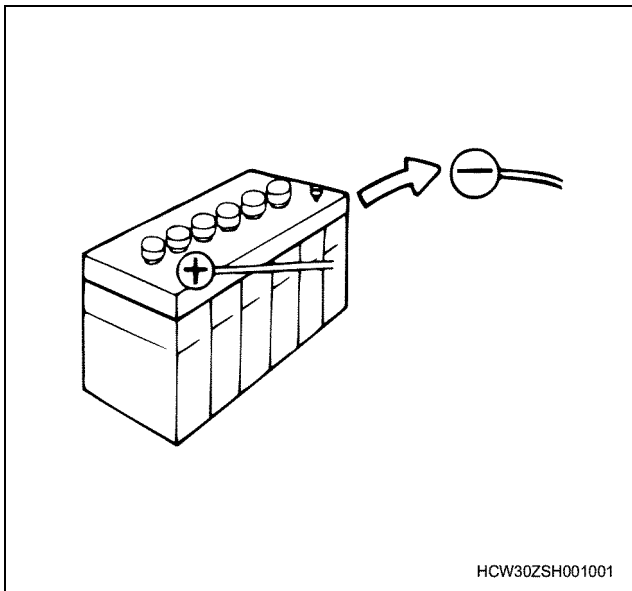
General Information .....	0A-2
Service Precautions .....	0A-2
Reading the model .....	0A-6
General information .....	0A-7

## General Information

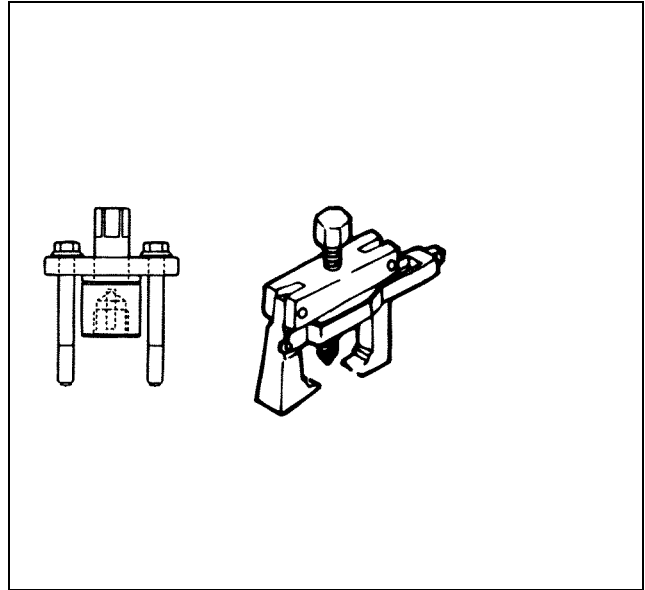
### Service Precautions

#### In order to carry out work safely

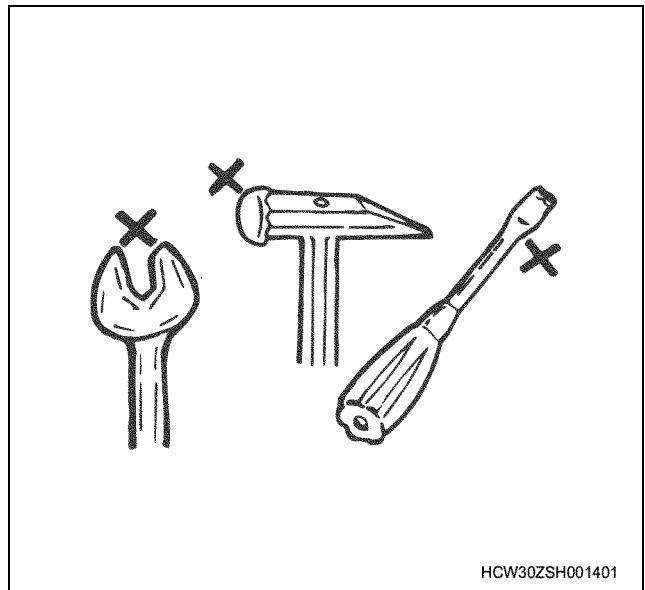
1. Always use an engine stand when taking the engine down from the vehicle.  
Do not place the engine directly onto the ground, or place in a manner that interferes with the oil pan.
2. If you are working together with others, always pay attention to each other's safety.
3. If you are repairing any part of the electrical system, always remove the minus side cable from the battery terminal before starting work. If you are removing the battery cover, always remove the cover in a place that is away from sources of fire/heat.



4. Do not perform painting work or leave the engine running for long periods of time in an enclosed or badly ventilated indoor workshop.
5. Always use the correct specialized tool indicated in the instructions. Using the incorrect tool may cause damage to the parts or injury to the person using the tool.



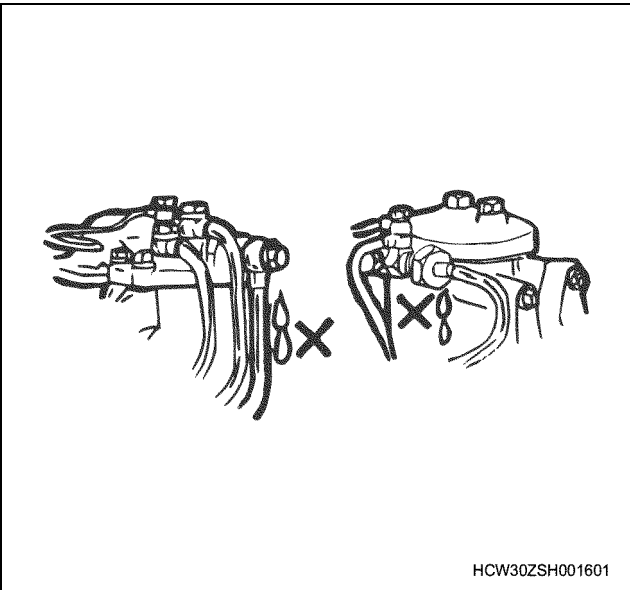
6. All regular tools, gauges and special tools should be regularly inspected, and prepared before starting work. Do not use bent spanners, hammers with damaged edges, chipped chisels, or any other faulty or damaged tools.



7. Always pay close attention to safety and handling requirements when using grinders, cranes, welders, and other such equipment. Moreover, always wear the correct protective garments and use the necessary safety tools for the job in hand.

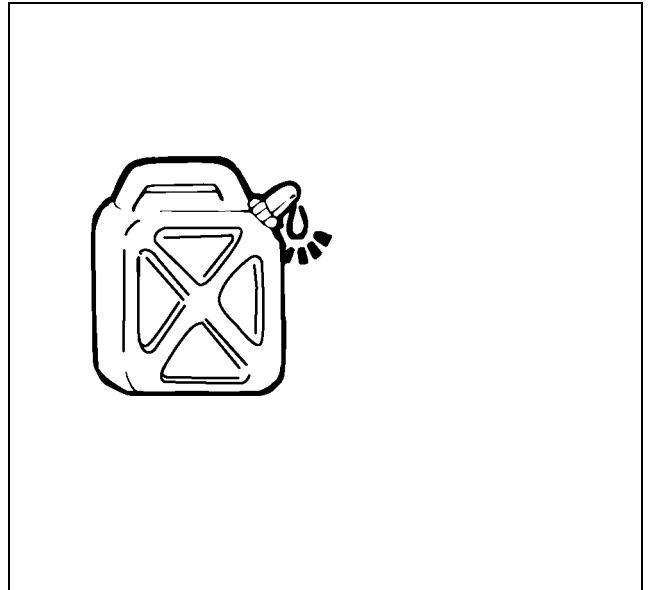


8. Always check that there are no fuel leaks when performing maintenance work on the fuel system. (It may cause a fire.)



9. Pay close attention to the risk of ignition if you are handling parts that carry a high voltage. Furthermore, any oil or fat spilt onto rubber parts must be wiped off immediately, as it will cause deterioration of the rubber.

HCW30ZSH001601



### Replacement parts and part numbers.

1. Always replace packing, oil seals, o-rings, caulking lock nuts, folding lock plates, split pins and other such parts with brand new parts.
2. The parts numbers contained in this manual may not represent the supply condition of the parts, and the part numbers may be changed due to revisions. Therefore, parts should always be checked against a parts catalogue before use.

### Liquid gasket

1. Each time you disassemble parts that use liquid gasket, completely remove the old gasket residue from each of the parts and matching sections using a scraper, then clean each of the parts to completely remove oil, water, and dirt etc. from the various surfaces. Using the specified type of liquid gasket, apply new liquid gasket to each of the surfaces before reassembling the parts.
2. In order to make it easier to clean liquid gasket surfaces, apply gasket remover liquid (Pando-391D made by Three Bond Co., Ltd.) and leave the part to stand for approximately 10 minutes, after which the old liquid gasket residue will be easier to remove.  
However, this should not be used on resin components or painted components.
3. Please take care not to apply too much or too little liquid gasket.  
Also, you should always re-apply the liquid gasket upon itself when you start and finish application.
4. Make sure that there are no gaps when re-installing the liquid gasket parts to each other. If there are gaps between the two parts, re-apply the liquid gasket. Some parts, especially the oil pan, use the same size studs as a guide to eliminate the need for knock pin positioning etc.
5. Re-install these parts within 7 minutes of applying the liquid gasket.



## 0A-4 General Information

If more than 7 minutes passes, remove the previous liquid gasket and re-apply it.

- Please wait for at least 30 minutes since the last part is installed before starting the engine.

### Liquid gasket

Seal section	Product name	Manufacturer's name
Between cylinder block and – Flywheel housing	1207B	Three Bond
Between cylinder block and – Flywheel housing and – Crankcase	1207B	Three Bond
Between cylinder block and – Crank case	1207B	Three Bond
Between cylinder block and – Front cover	1207B	Three Bond
Cylinder block, head plug nipple, unit, switches	262	Loctite

- Always use the liquid gasket products listed above, or a liquid gasket identical to the ones listed above.
- Use the correct quantity of liquid gasket. Always follow the handling instructions for each product.

### Application procedure

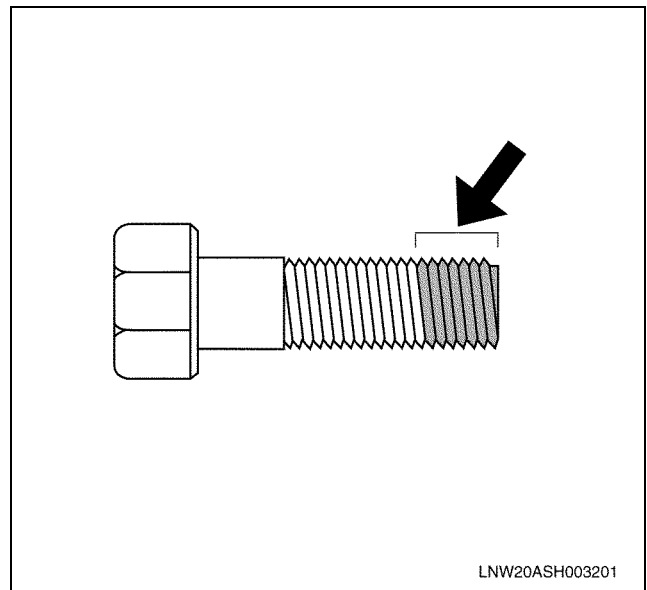
- Wipe the contact surfaces clean of all water, fat or oil. The contact surfaces should be dry.
- Apply a regular bead width of liquid gasket to one of the contact surfaces. Make sure that the bead does not break at this point.

### Notes:

If there are special regulations concerning the application procedure in the repair document, please follow those regulations.

### Work procedure

- Wipe the joint surfaces of the bolt, bolt hole, and screw thread section clean of water, fat, and oil. The contact surfaces should be dry.
- Apply Loctite to the top 1/3 of the screw.
- Tighten the bolt to the correct tightening torque.



LNW20ASH003201

### Important:

After tightening the bolt, do not apply excessive torque or try to rotate the bolt until at least one hour has passed, and the Loctite has hardened.

### Procedure for using the Plastiguage

Type	Measurable range mm (in)
PG-1 (Green)	0.025 – 0.076 (0.001 – 0.003)
PR-1 (Red)	0.051 – 0.152 (0.002 – 0.006)
PB-1 (Blue)	0.102 – 0.229 (0.004 – 0.009)

Example: Procedure for measuring the clearance between the connecting rod bearing and crank pin.

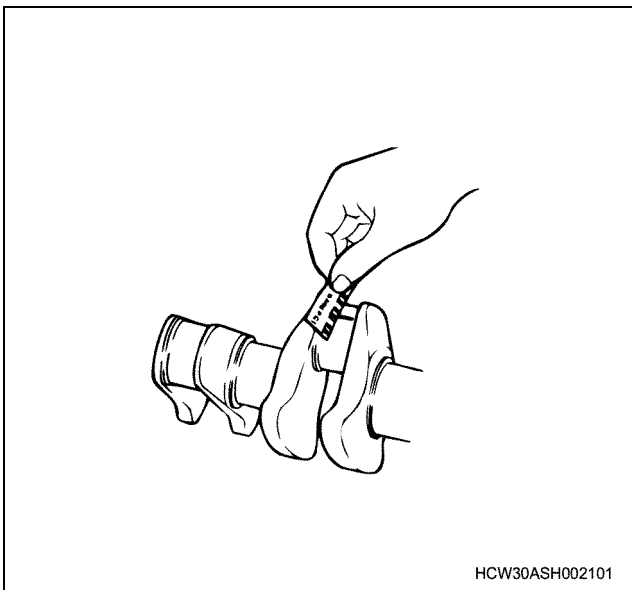
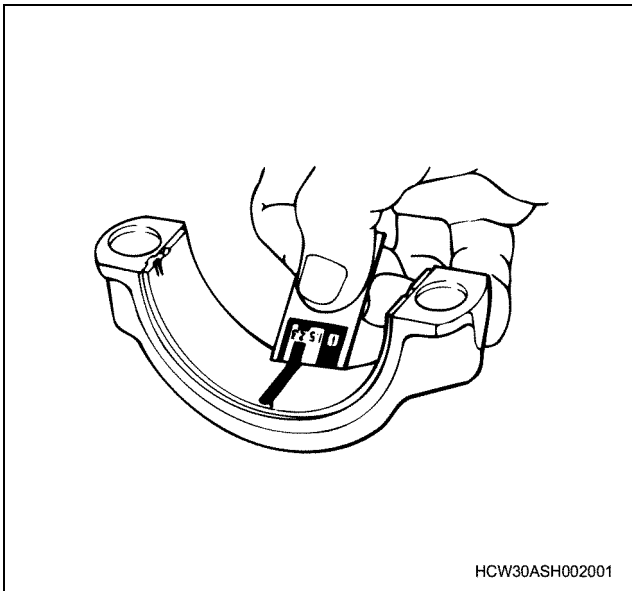
- Clean the connecting rod and bearing, and install the bearing to the rod.
- Cut the plastiguage to the same width as the crank pin, and while avoiding the oil pore of the crank pin lay the gauge parallel to the pin.

- Line up the marks on the connecting rod and cap and install the crank pin, apply molybdenum disulphide to the thread section and bearing surface of the fastening bolt, and rotate both cap and bolt to the correct torque.

**Important:**

Do not move the connecting rod while using the plastiguage.

- Gently remove the cap and connecting rod, and measure the crushed width of the plastiguage (clearance between rod and pin) using the scale printed on the bag.



Example: Measuring the clearance between the crank bearing and crank journal

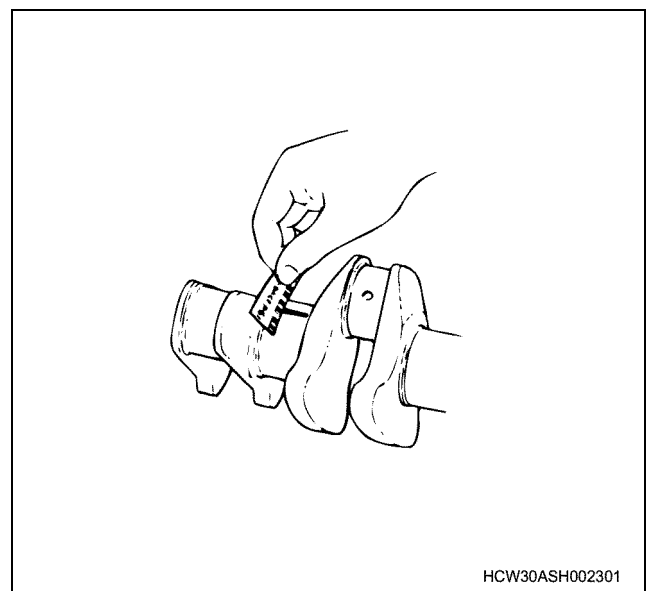
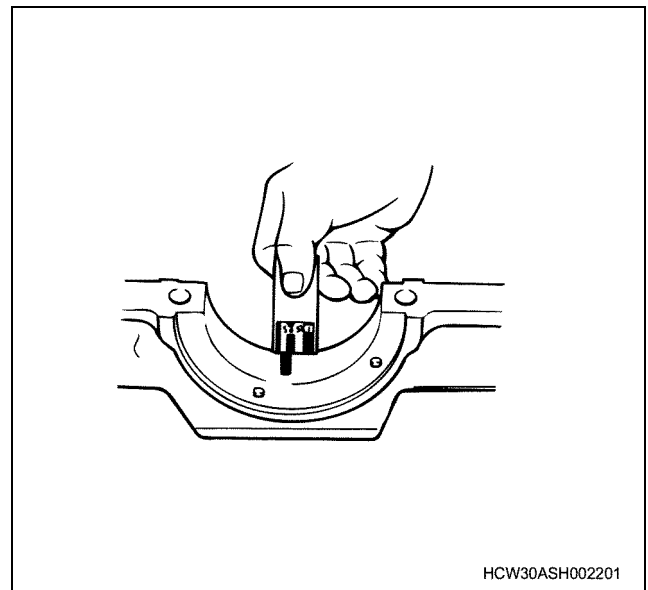
- Clean the clamp face of the cylinder block and crankcase bearing, and also the bearing, and install the cylinder block to the crankcase.
- Gently rest the crankshaft on the cylinder block, and rotate it approximately 30 degree to stabilize it.

- Cut the plastiguage to the same size as the journal width, and while avoiding the oil pore of the journal lay the gauge parallel to the journal.
- Gently rest the crank case on the cylinder block, apply molybdenum disulphide to the thread section and bearing surface of the fastening bolt, and tighten in sequence to the correct torque.

**Important:**

Do not rotate the crankshaft while using the plastiguage.

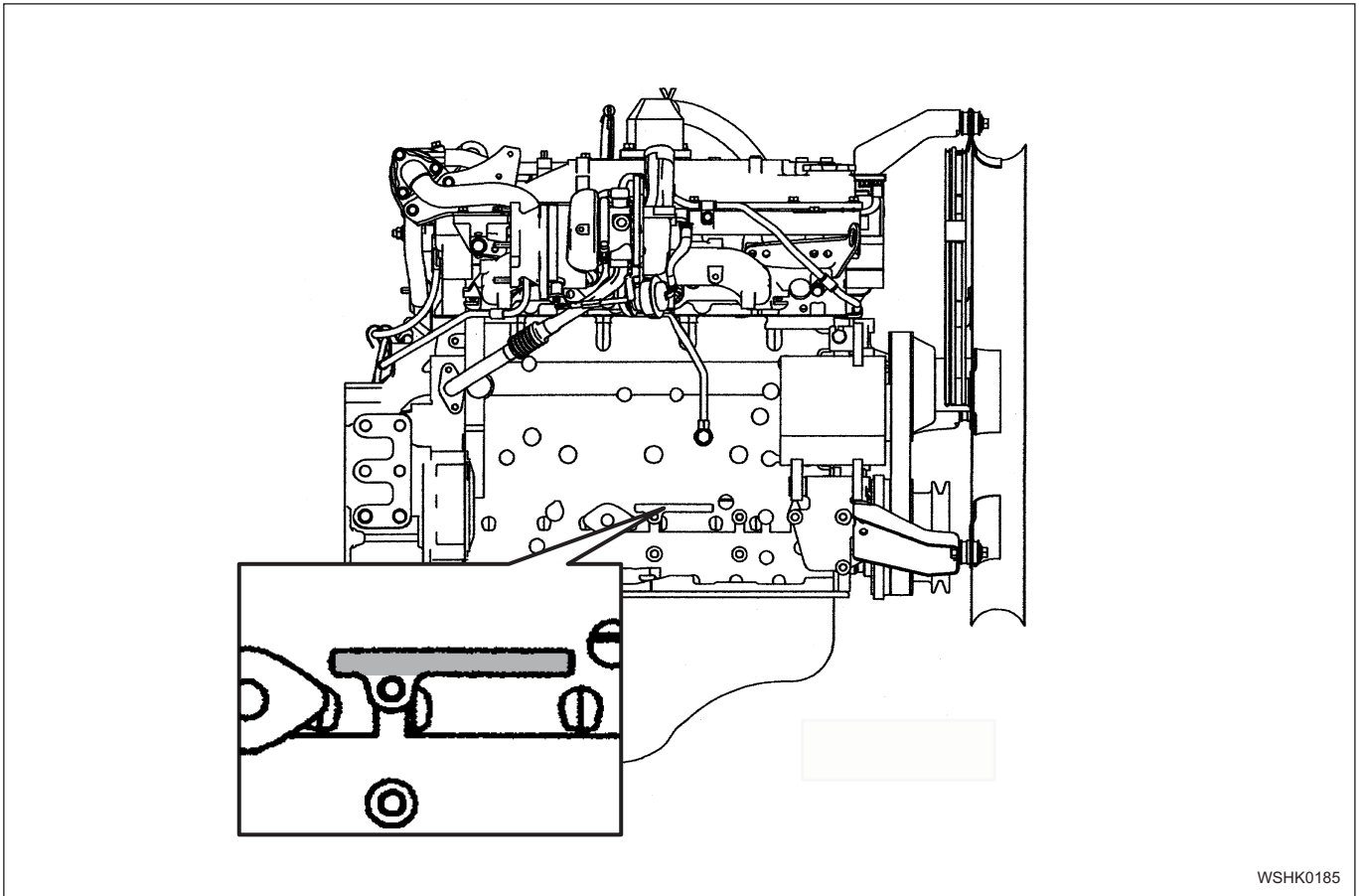
- Gently remove the crankcase, and measure the crushed width of the plastiguage (clearance between bearing and journal) using the scale printed on the bag.



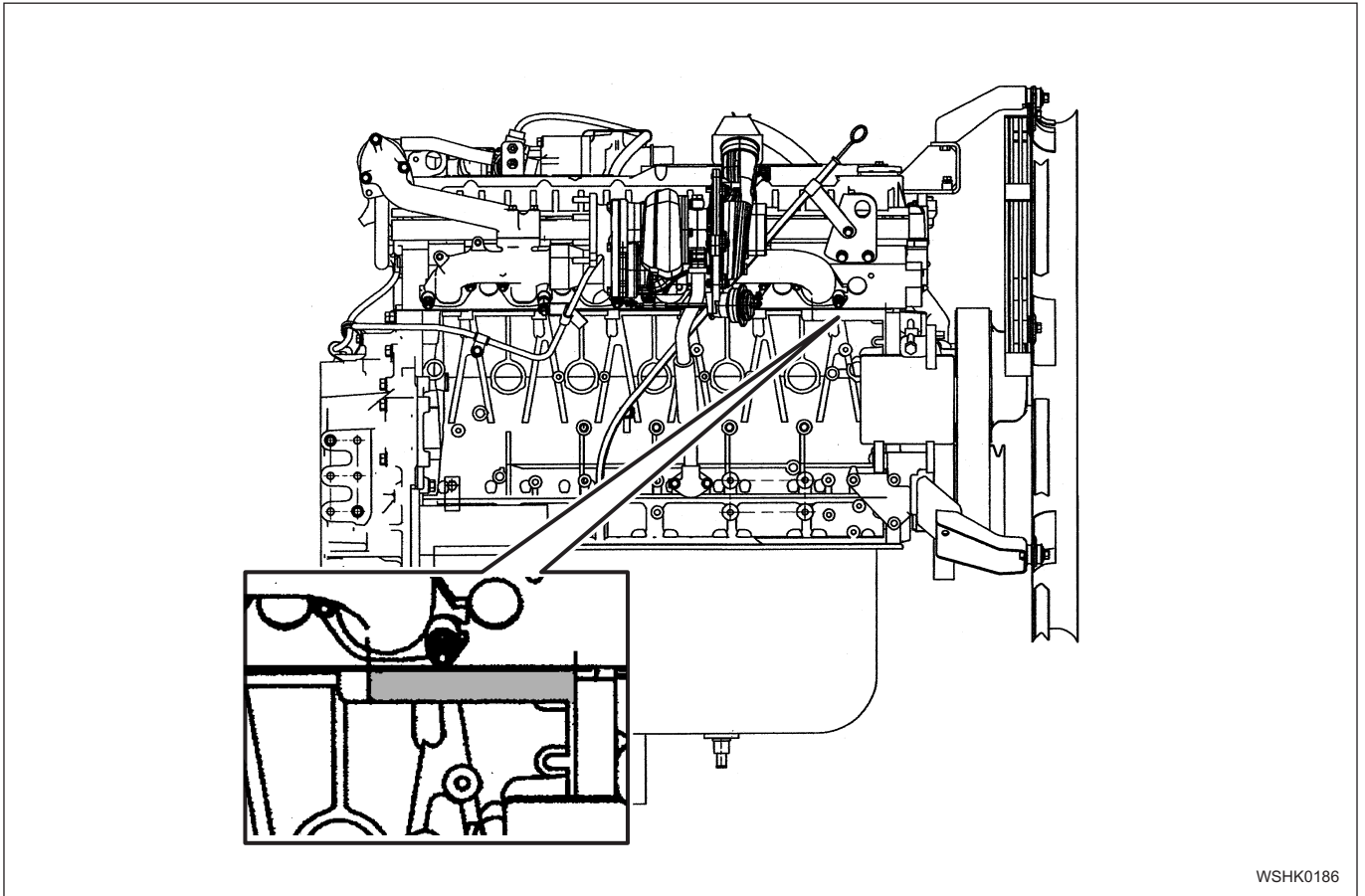
## Reading the model

Engine number stamping position

4HK1



## 6HK1



WSHK0186

## General information

### Terminology, description of abbreviations

#### Terminology definitions

Term	Explanation
Maintenance standard	The generic name for reference values required for maintenance, such as nominal dimension, selection of a reference point, and limit.
Nominal dimension	Shows the standard value at the point of manufacture that does not include the common difference.
Selection of a reference point	Shows the standard value after assembling, repairing, or adjusting.
Limit	When this value (dimensions) is reached, it shows that the part has reached its full limit and must be replaced or repaired.
Front · rear, left · right, upper · lower	These show each orientations of parts installed to the vehicle when looking from the vehicle's forward direction.
Unit	Units written to SI conventions (mainly torque, pressure, force) [Example] Length: mm, Torque: N·m {kgf·m}
Warning	Items that carry the warning mark pose a danger to life or threat of serious injury if not strictly observed.
Caution	Items that carry the caution mark may cause injury or lead to accidents if not strictly observed.
Important	Items that carry the important mark may cause the vehicle to break down, or may prevent the guaranteed normal operation of the system or related parts if not strictly observed.

## 0A-8 General Information

Term	Explanation
Notes	Items that should receive special mention within a work procedure.

### Description of abbreviations

Abbreviation	Description
AC	Alternating Current Alternating Current
ACC	Accessory Accessory
ACG	Alternating Current Generator Alternating current generator
API	American Petrol Institute American Petroleum Institute
ASM (Assy)	Assembly Assembly
ATDC	After Top Dead Center After Top Dead Center
BAT, BATT	Battery Battery
BRG, Brg	Bearing Bearing
BKT, BRKT	Bracket Bracket
BTDC	Before Top Dead Center Before Top Dead Center
CO	Carbon Oxide Carbon Monoxide
CONN	Connector Connector
CPU	Central Processing Unit Central processing unit
C/U	Control Unit Control unit
DC	Direct Current Direct current
DI	Direct Injection Direct injection
ECU	Engine Control Unit / Electronic Control Unit Engine control unit / control unit
ECM	Engine Control Module Engine control module
EGR	Exhaust Gas Recirculation Exhaust gas recirculation
Exh, EXH	Exhaust Exhaust
Ft, FRT	Front Front

Abbreviation	Description
FWD	Forward Forward
F/C	Fuel Cut Fuel Cut
GND	Ground Earth
IC	Integrated Circuit Integrated circuit
ID Plate	Identification plate Identification plate, ID plate
IN	Intake, Intake Intake
ISO	International Organization for Standardization International Organization for Standardization
I/PUMP	Injection Pump Injection Pump
JIS	Japanese Industrial Standard Japanese Industrial Standard
L/H, LH	Left Hand Left hand side
M/V	Magnetic Valve Magnetic valve
NOx	Nitrogen Oxide Nitrogen Oxide
N-TDC	Number - Top Dead Center Top dead center rotational frequency
OPT	Option Option
P	Pole(S) Pole
PCV	Pump Control Valve/ Positive Crankcase Ventilation Pump control valve/ Positive crankcase ventilation
PM	Particulate Matter Particulate matter
PS	Pre-Stroke Pre-stroke
PTO	Power Take Off Power take off
QOS	Quick On System Rapid preheating system
Rr, RR	Rear Rear

Abbreviation	Description
R/H, RH	Right Hand Right hand side
R/L	Relay Relay
STD	Standard Standard
SW	Switch Switch
TICS	Timing & Injection rate Control System A type of injection system
VGS Turbo	Variable Geometry turbocharger System Adjustable turbo, VGS turbo
W/L	Warning Lamp Warning lamp

### SI (International System of Units)

#### With regards the conversion to SI (International System of Units)

The introduction of the SI systems aims to internationally unify the metric system and the various units used by different countries (traditional weights and measures, the foot pound method etc.), and to curb the confusion that occurs between the different units (conversion calculations etc.).

The new calculating method which adopted SI units was completely adopted in Japan in 1992, and is standardized by JIS-Z-8203.

All of the units in this manual are written in line with the International System of Units SI units, and conventional units are written in { } brackets.

### SI

(French) Abbreviated name of Le Systeme International d'Unites

### Connection between main SI units and conventional units

	SI	Conventional Unit	Item, unit conversion
Length	m	m	Same as the conventional unit
Weight (Mass)	kg	kg	Same as the conventional unit
Force	N	* kg, kgf	1 kgf = 9.80665 N
Torque	N·m	* kg·m, gf·m	1 kgf·m = 9.80665 N·m
Pressure	Pa	*kg/cm <sup>2</sup> , mmHg	1 kgf/cm <sup>2</sup> = 9.80665 kPa, 1 mmHg = 133.3 Pa
Dynamic force, horsepower	W	PS	1 PS = 0.74 kW
Capacity, air volume displacement	m <sup>3</sup>	Litre, L, cc	1 Litre = 1 dm <sup>3</sup> , 1 cc = 1mLitre = 1cm <sup>3</sup>
Fuel consumption	g/(kW·h)	g/(PS·h)	1 g/(PS·h) = 1.360 g/(kW·h)

\*1 Published service data may conveniently use kg for force and mass (weight) instead of kgf.

\*2 Some conversion results may be rounded off to 1 or 2 decimal places.

### Converting expressions of quantity

When converting, prefixes such as k (kilo) or m (mili) are used.

M	Mega	10 <sup>6</sup>	1,000,000
k	Kilo	10 <sup>3</sup>	1,000
h	Hecto	10 <sup>2</sup>	100
d	Deci	10 <sup>-1</sup>	0.1
c	Centi	10 <sup>-2</sup>	0.01
m	Milli	10 <sup>-3</sup>	0.001
μ	Micro	10 <sup>-6</sup>	0.000001

- 200 kgf/cm<sup>2</sup> = 19,620 kPa = 19.6 MPa
- 40 mmHg = 5,332 Pa = 5.3 kPa

## 0A-10 General Information

### Table of standard Isuzu tightening torque

The tightening torque values in the table below apply to all situations unless a special tightening torque is specified.

#### Isuzu standard bolts, nuts

N·m {kgf·m}				
Strength classification	4.8 4T		7T	
Bolt head section shape	Hexagon head bolt	Flange bolt	Hexagon head bolt	Flange bolt
* M10 × 1.5	19.6 ~ 33.3 {2.0 ~ 3.4}	22.3 ~ 37.2 {2.3 ~ 3.8}	27.5 ~ 45.1 {2.8 ~ 4.6}	30.3 ~ 50.4 {3.1 ~ 5.1}
M12 × 1.25	49.0 ~ 73.5 {5.0 ~ 7.5}	54.9 ~ 82.3 {5.6 ~ 8.4}	60.8 ~ 91.2 {6.2 ~ 9.3}	68.1 ~ 102.1 {6.9 ~ 10.4}
* M12 × 1.75	45.1 ~ 68.6 {4.6 ~ 7.0}	51.0 ~ 76.5 {5.2 ~ 7.8}	56.9 ~ 84.3 {5.8 ~ 8.6}	62.7 ~ 94.0 {6.4 ~ 9.6}
M14 × 1.5	76.5 ~ 114.7 {7.8 ~ 11.7}	83.0 ~ 124.5 {8.5 ~ 12.7}	93.2 ~ 139.3 {9.5 ~ 14.2}	100.8 ~ 151.1 {10.3 ~ 15.4}
* M14 × 2	71.6 ~ 106.9 {7.3 ~ 10.9}	77.2 ~ 115.8 {7.9 ~ 11.8}	88.3 ~ 131.4 {9.0 ~ 13.4}	94.9 ~ 142.3 {9.7 ~ 14.5}
M16 × 1.5	104.0 ~ 157.0 {10.6 ~ 16.0}	115.6 ~ 173.3 {11.8 ~ 17.7}	135.3 ~ 204.0 {13.8 ~ 20.8}	150.1 ~ 225.2 {15.3 ~ 23.0}
* M16 × 2	100.0 ~ 149.1 {10.2 ~ 15.2}	109.4 ~ 164.2 {11.2 ~ 16.7}	129.4 ~ 194.2 {13.2 ~ 19.8}	142.5 ~ 213.8 {14.5 ~ 21.8}
M18 × 1.5	151.0 ~ 225.6 {15.4 ~ 23.0}	—	195.2 ~ 293.2 {19.9 ~ 29.9}	—
* M18 × 2.5	151.0 ~ 225.6 {15.4 ~ 23.0}	—	196.1 ~ 294.2 {20.0 ~ 30.0}	—
M20 × 1.5	206.0 ~ 310.0 {21.0 ~ 31.6}	—	269.7 ~ 405.0 {27.5 ~ 41.3}	—
* M20 × 2.5	190.2 ~ 286.4 {19.4 ~ 29.2}	—	249.1 ~ 374.6 {25.4 ~ 38.2}	—
M22 × 1.5	251.1 ~ 413.8 {25.6 ~ 42.2}	—	362.8 ~ 544.3 {37.0 ~ 55.5}	—
* M22 × 2.5	217.7 ~ 327.5 {22.2 ~ 33.4}	—	338.3 ~ 507.0 {34.5 ~ 51.7}	—
M24 × 2	358.9 ~ 539.4 {36.6 ~ 55.0}	—	430.5 ~ 711.0 {43.9 ~ 72.5}	—
* M24 × 3	338.3 ~ 507.0 {34.5 ~ 51.7}	—	406.0 ~ 608.0 {41.4 ~ 62.0}	—

The \* mark indicates where soft materials have been used for internal thread sections, such as castings.

Thank you so much for reading.  
Please click the “Buy Now!”  
button below to download the  
complete manual.



After you pay.

You can download the most  
perfect and complete manual in  
the world immediately.

Our support email:

[ebooklibonline@outlook.com](mailto:ebooklibonline@outlook.com)